



US00D961591S

(12) **United States Design Patent**
Zollers et al.

(10) **Patent No.:** **US D961,591 S**
(45) **Date of Patent:** **** Aug. 23, 2022**

(54) **CARTRIDGE READER**

(71) Applicant: **SALVUS, LLC**, Valdosta, GA (US)

(72) Inventors: **Timothy Edward Zollers**, Atlanta, GA (US); **Aaron Hunter Pierce**, Atlanta, GA (US); **William Jacob Thompson**, Atlanta, GA (US); **Joseph Gerard Egan**, Atlanta, GA (US); **Ron Levin**, Valdosta, GA (US); **Michael James Murphy**, Valdosta, GA (US)

(73) Assignee: **Salvus, LLC**, Valdosta, GA (US)

(**) Term: **15 Years**

(21) Appl. No.: **29/774,196**

(22) Filed: **Mar. 15, 2021**

(51) **LOC (13) Cl.** **14-02**

(52) **U.S. Cl.**
USPC **D14/385**

(58) **Field of Classification Search**
USPC D14/300–302, 313, 314, 341, 348–370, D14/383, 385, 432, 436, 496, 125, 135, D14/134, 155, 167, 168, 230, 231, 233, D14/235, 237, 240–242, 299; D10/65, D10/75, 78; D13/103, 149, 162, 184, D13/199; D18/4.4–4.6, 12.1, 56; 361/679.31–679.45, 752; 711/100, 115; 382/115, 124; 356/71; 235/380, 461, 235/382, 472.01, 472.02; D3/201, 273
CPC G06K 9/00006; G06K 7/0013; G06K 9/00026; G06F 21/00; G06Q 30/00
See application file for complete search history.

(56) **References Cited**

U.S. PATENT DOCUMENTS

D351,144 S * 10/1994 Fishbine D14/384
D486,483 S * 2/2004 Bloomberg D14/138

D672,776 S * 12/2012 Bousfield D14/385
D741,862 S * 10/2015 Beroukhim D14/384
D851,697 S * 6/2019 Qiu D18/4.6
10,902,237 B1 * 1/2021 Aggarwal G06V 10/24
D909,469 S * 2/2021 Watanabe D18/4.6
D915,504 S * 4/2021 Wang D14/387
11,017,203 B1 * 5/2021 Aggarwal G06V 40/70
D923,623 S * 6/2021 DeFazio D14/385
D936,054 S * 11/2021 Wang D14/385
D944,250 S * 2/2022 Lavallee D8/308
D951,254 S * 5/2022 Chen D14/385
D951,339 S * 5/2022 Paillard D18/4.6
2021/0097547 A1 * 4/2021 Stockman G06Q 20/40145
2021/0406531 A1 * 12/2021 Lau G06K 9/629

* cited by examiner

Primary Examiner — Austin Murphy

(74) *Attorney, Agent, or Firm* — Barnes & Thornburg LLP

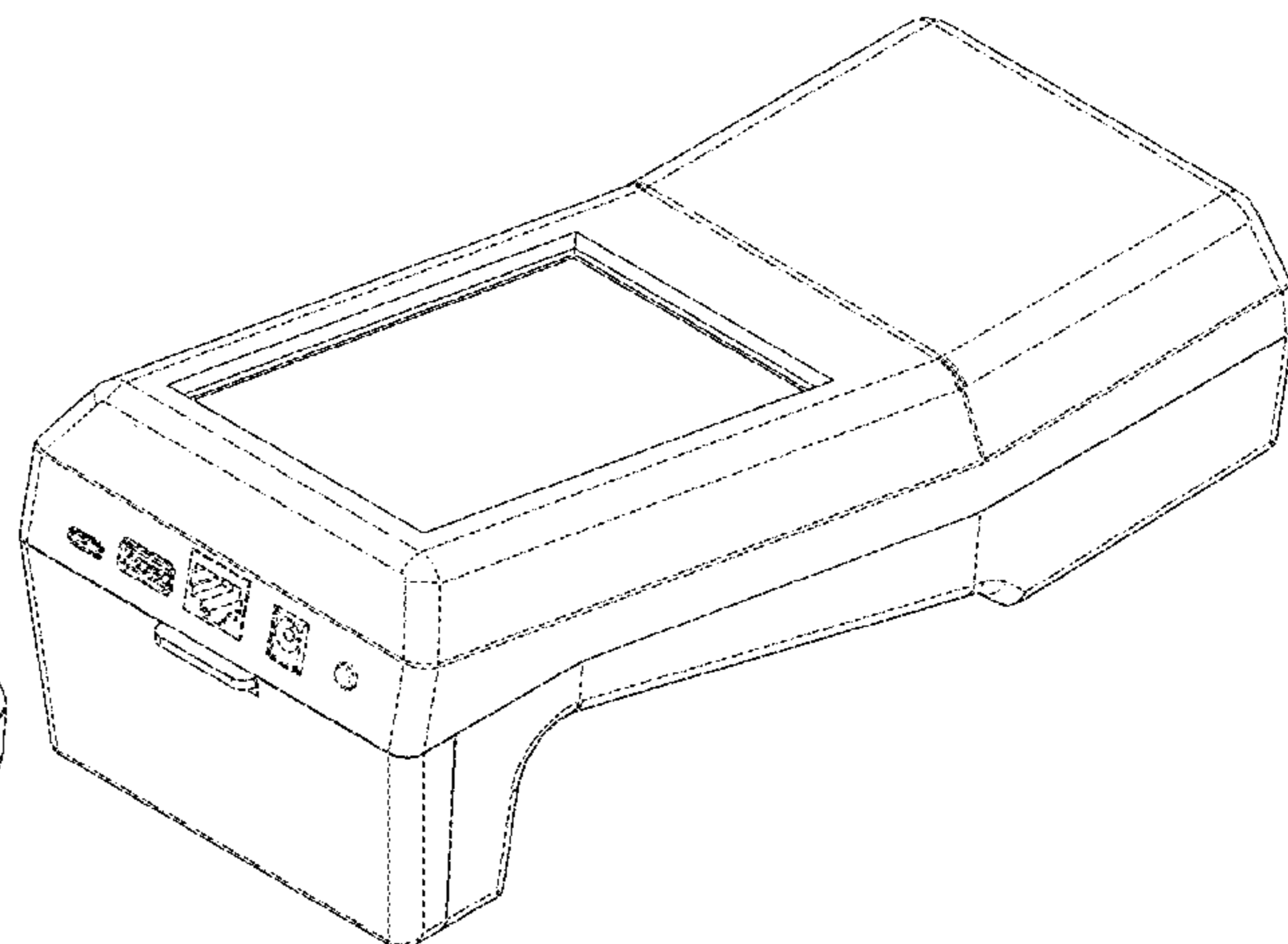
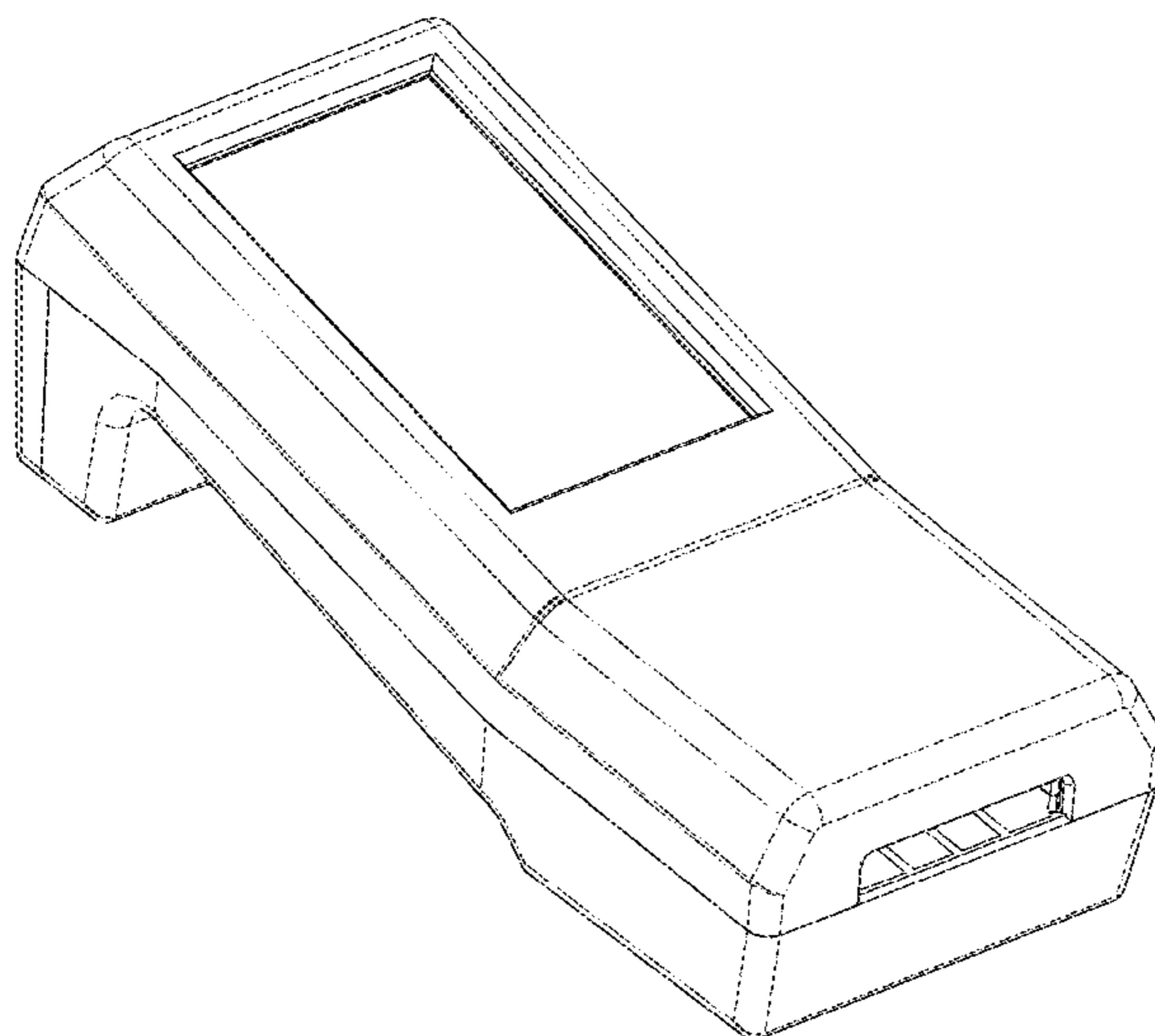
(57) **CLAIM**

The ornamental design for a cartridge reader, as shown and described.

DESCRIPTION

FIG. 1 is a front perspective view of a cartridge reader; FIG. 2 is a rear perspective view of a cartridge reader; FIG. 3 is a left side elevation view of the cartridge reader, the right side view identical to the right side view; FIG. 4 is a top plan view of the cartridge reader; FIG. 5 is a bottom plan view of the cartridge reader; FIG. 6 is a rear elevation view of the cartridge reader; and, FIG. 7 is a front elevation view of the cartridge reader. In each of FIGS. 1 through 7, dashed lines indicate structure that forms no part of the claimed design.

1 Claim, 7 Drawing Sheets



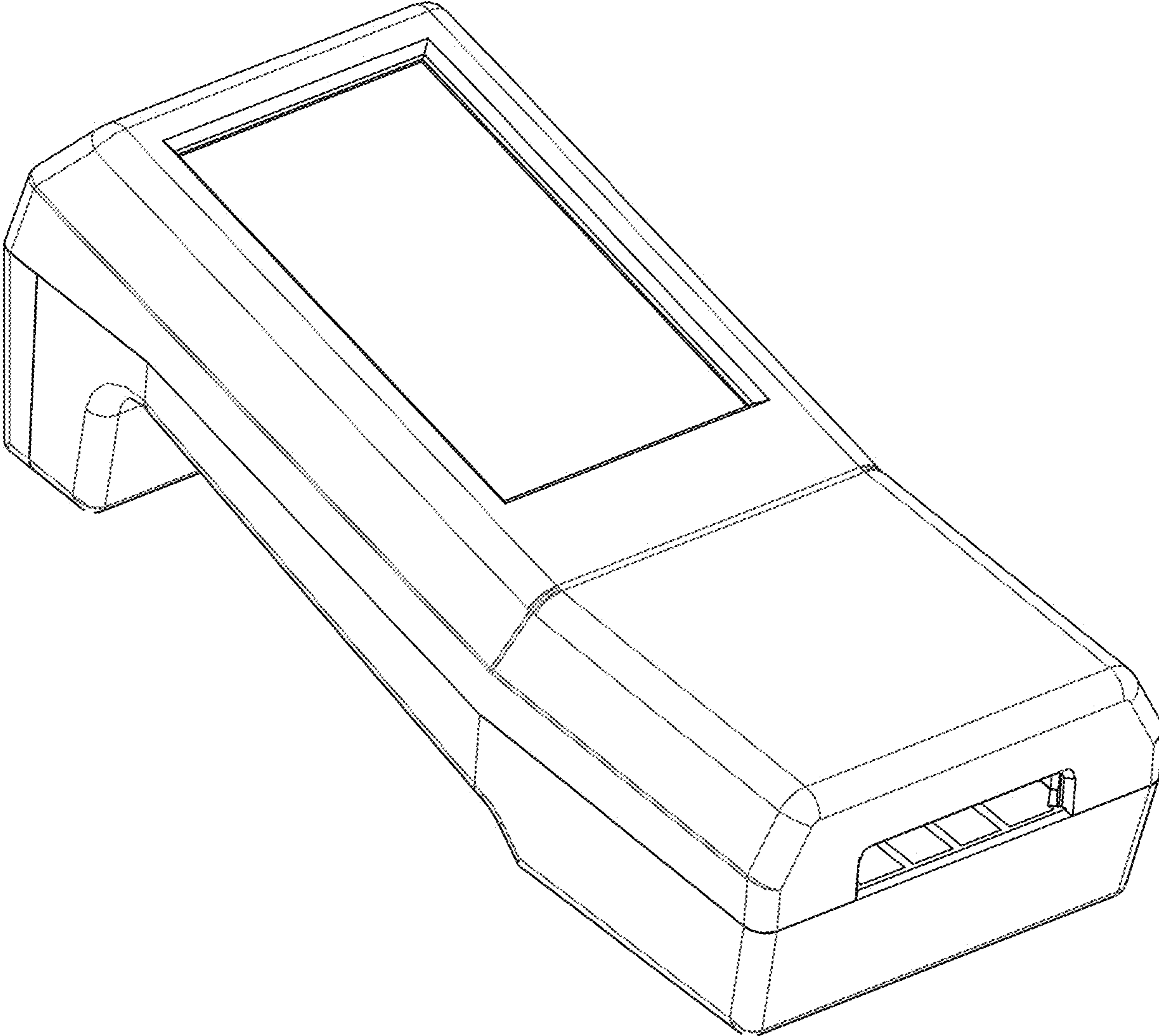


FIG. 1

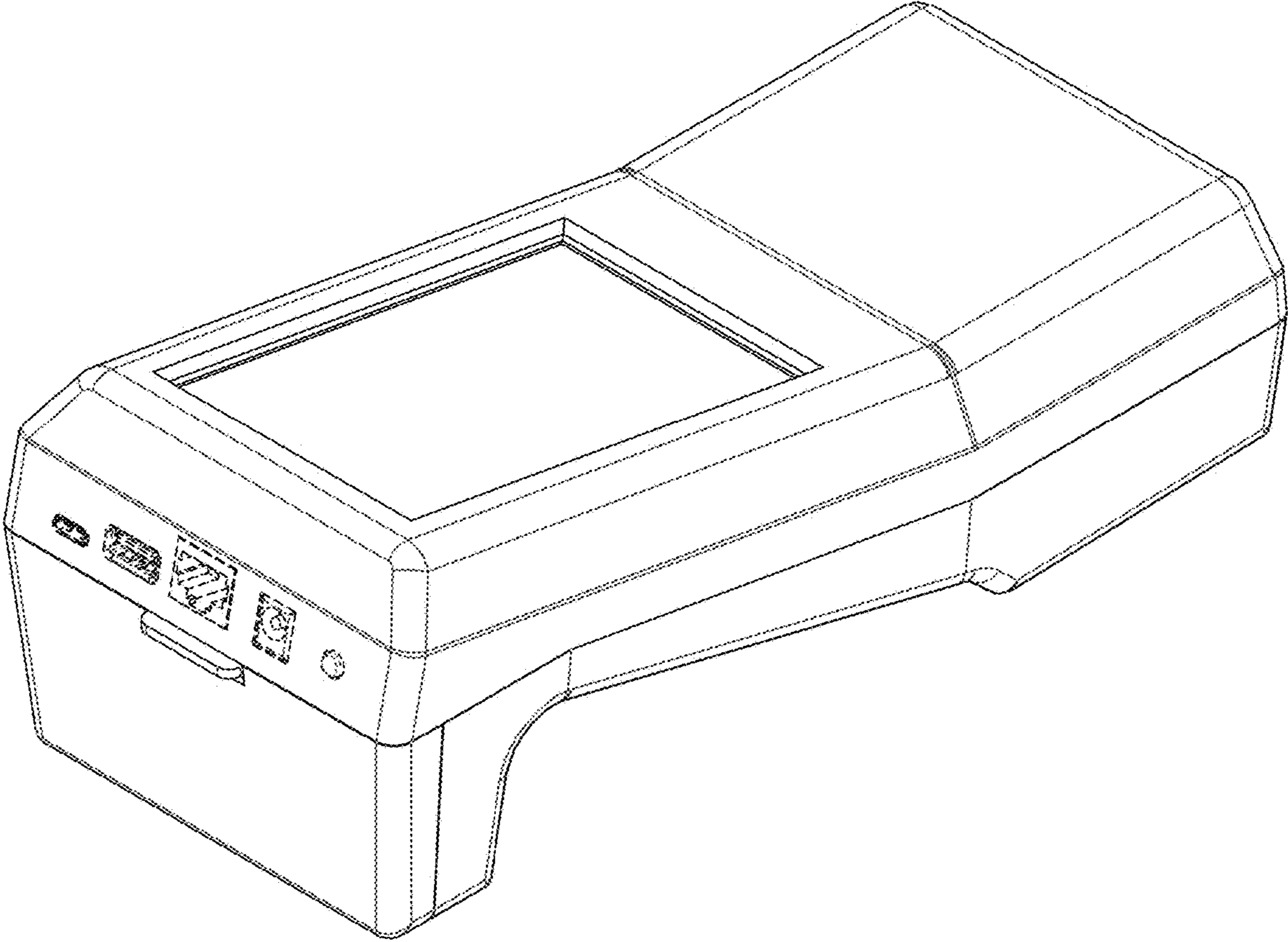


FIG. 2

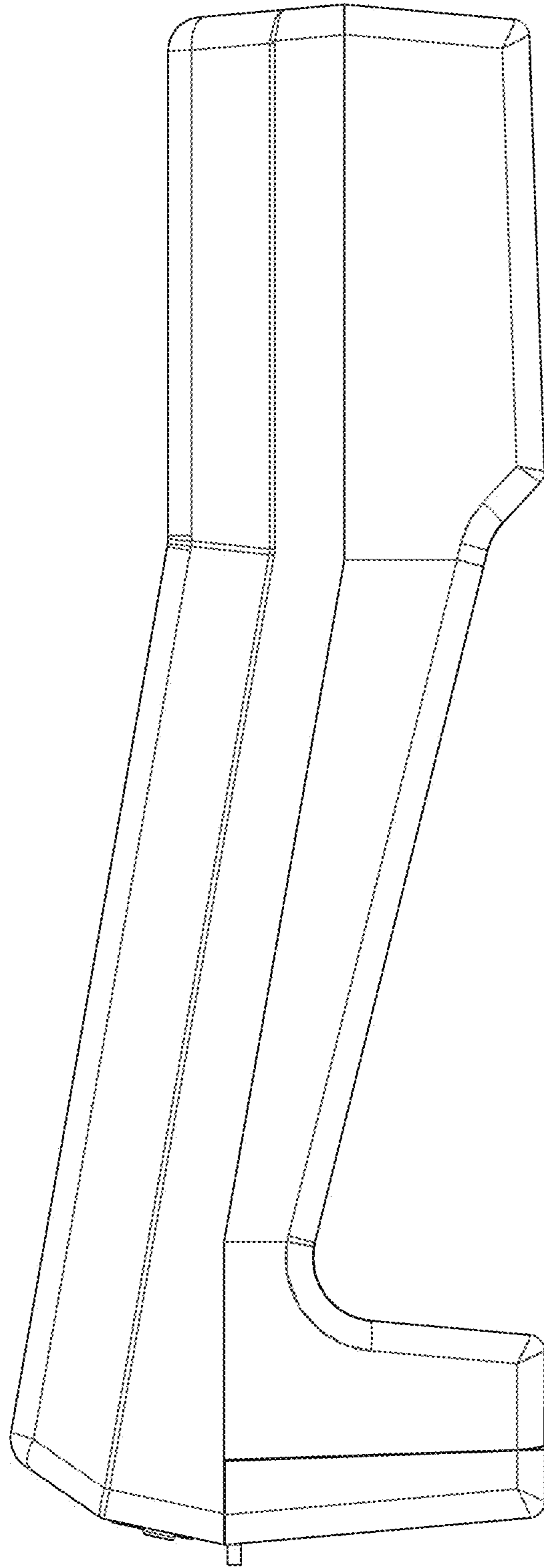


FIG. 3

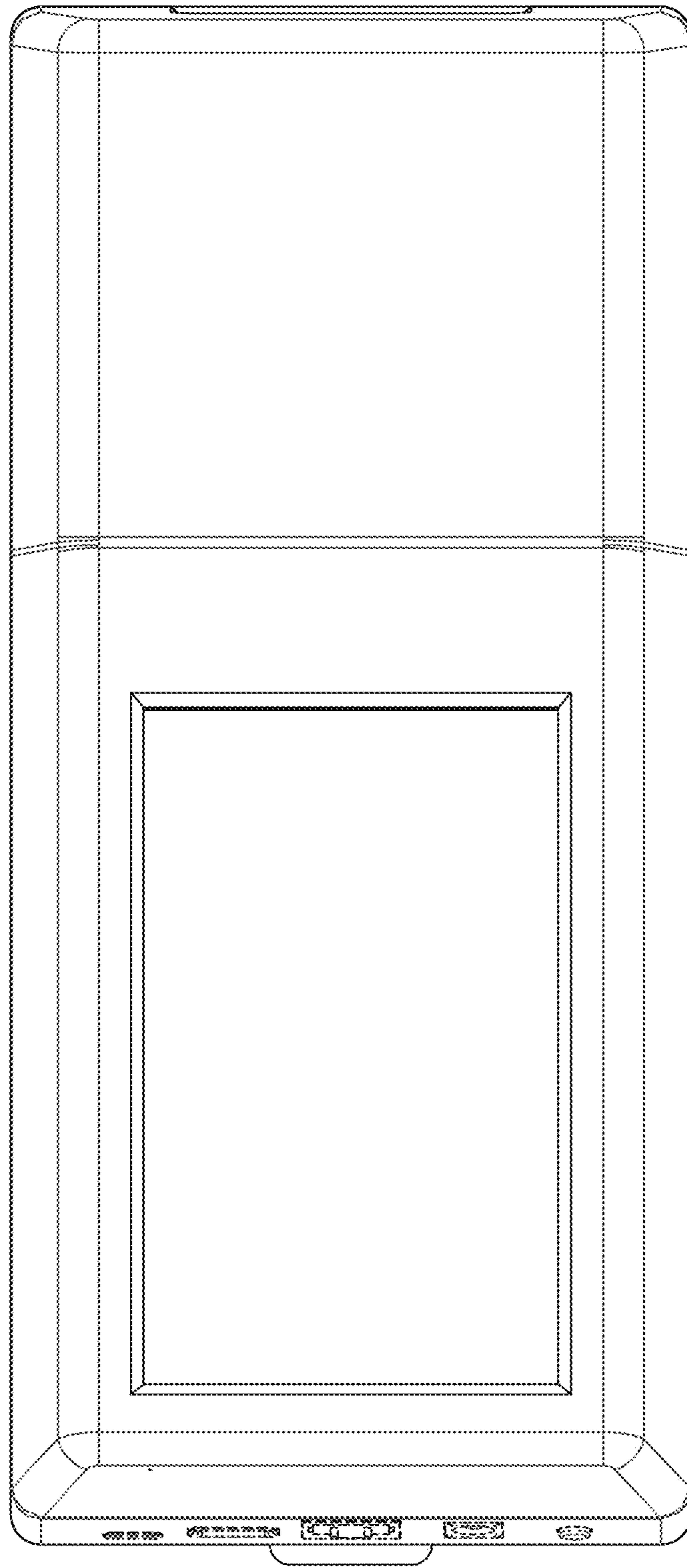


FIG. 4

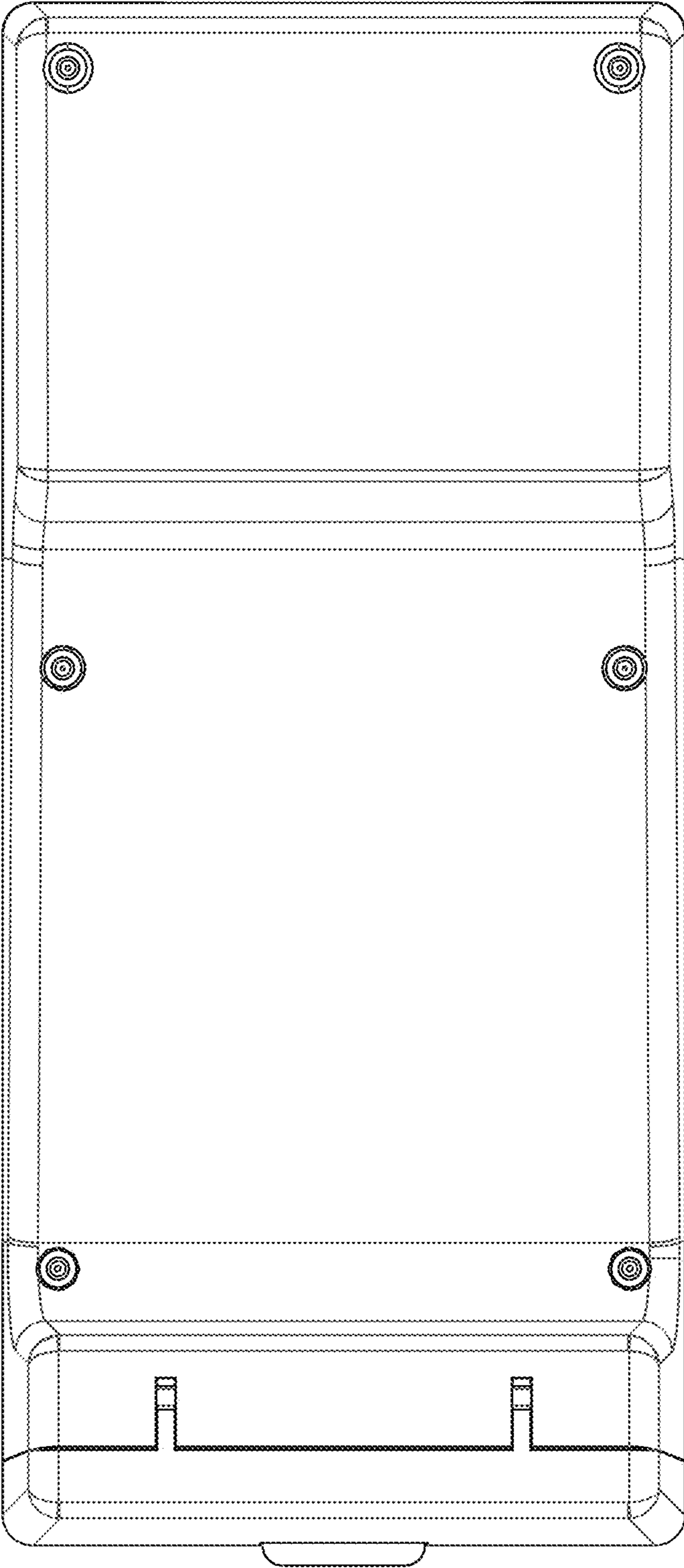


FIG. 5

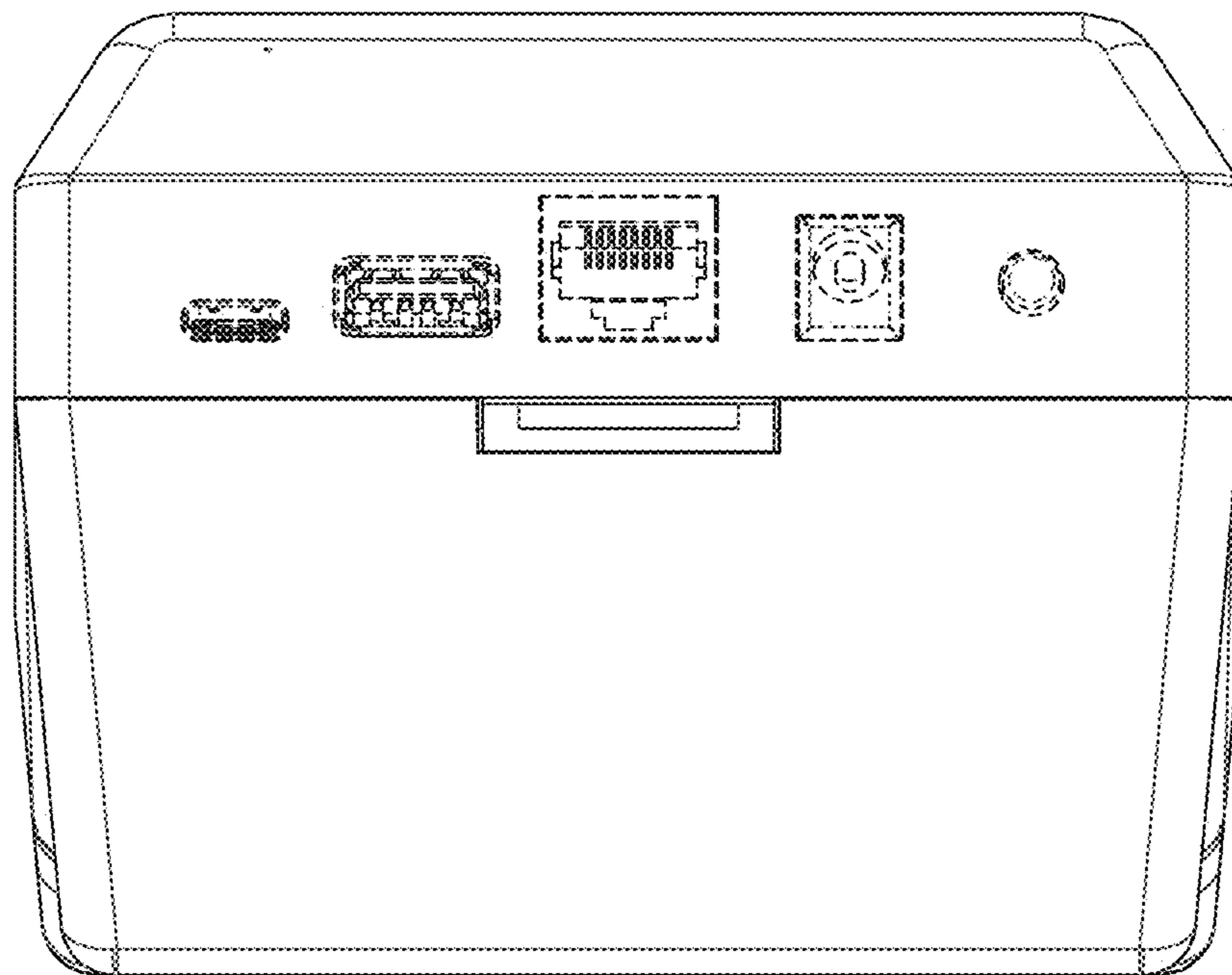


FIG. 6

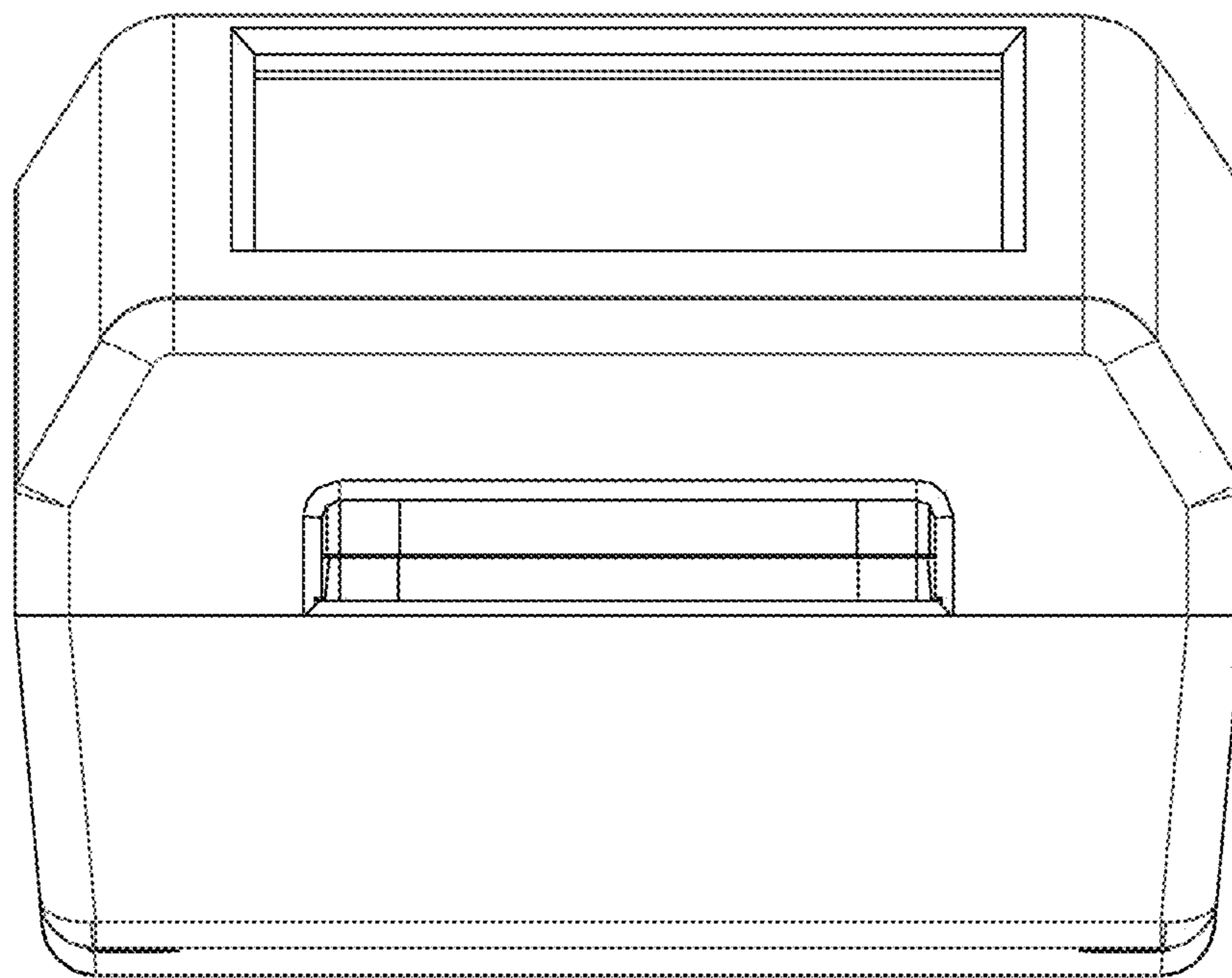


FIG. 7