

US00D961590S

(12) **United States Design Patent**  
**Park et al.**

(10) **Patent No.:** **US D961,590 S**

(45) **Date of Patent:** **\*\* Aug. 23, 2022**

(54) **MONITOR FOR COMPUTER**

(71) Applicant: **LG ELECTRONICS INC.**, Seoul (KR)

(72) Inventors: **Seongyeong Park**, Seoul (KR);  
**Daihyung Ryu**, Seoul (KR);  
**Hyeongyeol Kim**, Seoul (KR)

(73) Assignee: **LG ELECTRONICS INC.**, Seoul (KR)

(\*\*) Term: **15 Years**

(21) Appl. No.: **29/735,878**

(22) Filed: **May 26, 2020**

(30) **Foreign Application Priority Data**

Dec. 6, 2019 (KR) ..... 30-2019-0059054

(51) **LOC (13) Cl.** ..... **14-02**

(52) **U.S. Cl.**  
USPC ..... **D14/375**

(58) **Field of Classification Search**  
USPC ..... D14/305, 306, 307, 315, 316, 322, 334,  
D14/335, 336, 339, 340, 356, 371, 372,  
D14/373, 374, 375, 376, 377, 378, 379,  
D14/380, 381, 382, 432, 448, 449, 450,  
D14/451, 452, 125, 126, 127, 129, 132,  
D14/133, 217, 239, 314, 337, 447  
CPC ..... G06F 1/16; G06F 1/1601; G06F 1/1603;  
G06F 1/1605; G06F 1/1607; G06F  
1/1611; G06F 1/1616; G06F 1/1618;  
G06F 1/1622; G06F 1/1626; G06F  
1/1641; G06F 1/1643; G06F 1/1647;  
G06F 1/1649; G06F 1/1654; G06F  
1/1656; G06F 1/181; G06F 1/1684; G06F  
1/1686; G06F 1/1692; H05K 5/00; H05K  
5/03; H05K 5/0243; H05K 5/0286; H05K  
5/0239; H05K 5/02; H05K 5/0204; H05K  
5/0217; H04N 5/64; H04N 5/645

See application file for complete search history.

(56) **References Cited**

U.S. PATENT DOCUMENTS

D647,905 S *	11/2011	Lee	.....	D14/374
D733,672 S *	7/2015	Choi	.....	D14/126
D734,280 S *	7/2015	Choi	.....	D14/126
D761,256 S *	7/2016	Lee	.....	D14/371
D763,259 S *	8/2016	Lee	.....	D14/375
D812,615 S *	3/2018	Lee	.....	D14/375
D854,540 S *	7/2019	Kim	.....	D14/374

(Continued)

OTHER PUBLICATIONS

ViewSonic OMNI. ViewSonic. amazon.com (online) 13 pages. Posted Jun. 17, 2020 . [Retrieved Mar. 18, 2022] [https://www.amazon.com/dp/B081LTXZ1R/ref=cm\\_sw\\_em\\_r\\_mt\\_dp\\_CFYFRYKEZ1RXNDCCWYY1](https://www.amazon.com/dp/B081LTXZ1R/ref=cm_sw_em_r_mt_dp_CFYFRYKEZ1RXNDCCWYY1) (Year: 2020).\*

*Primary Examiner* — Kathleen L Jones

*Assistant Examiner* — Cole Sanders Holman

(74) *Attorney, Agent, or Firm* — Birch, Stewart, Kolasch & Birch, LLP

(57) **CLAIM**

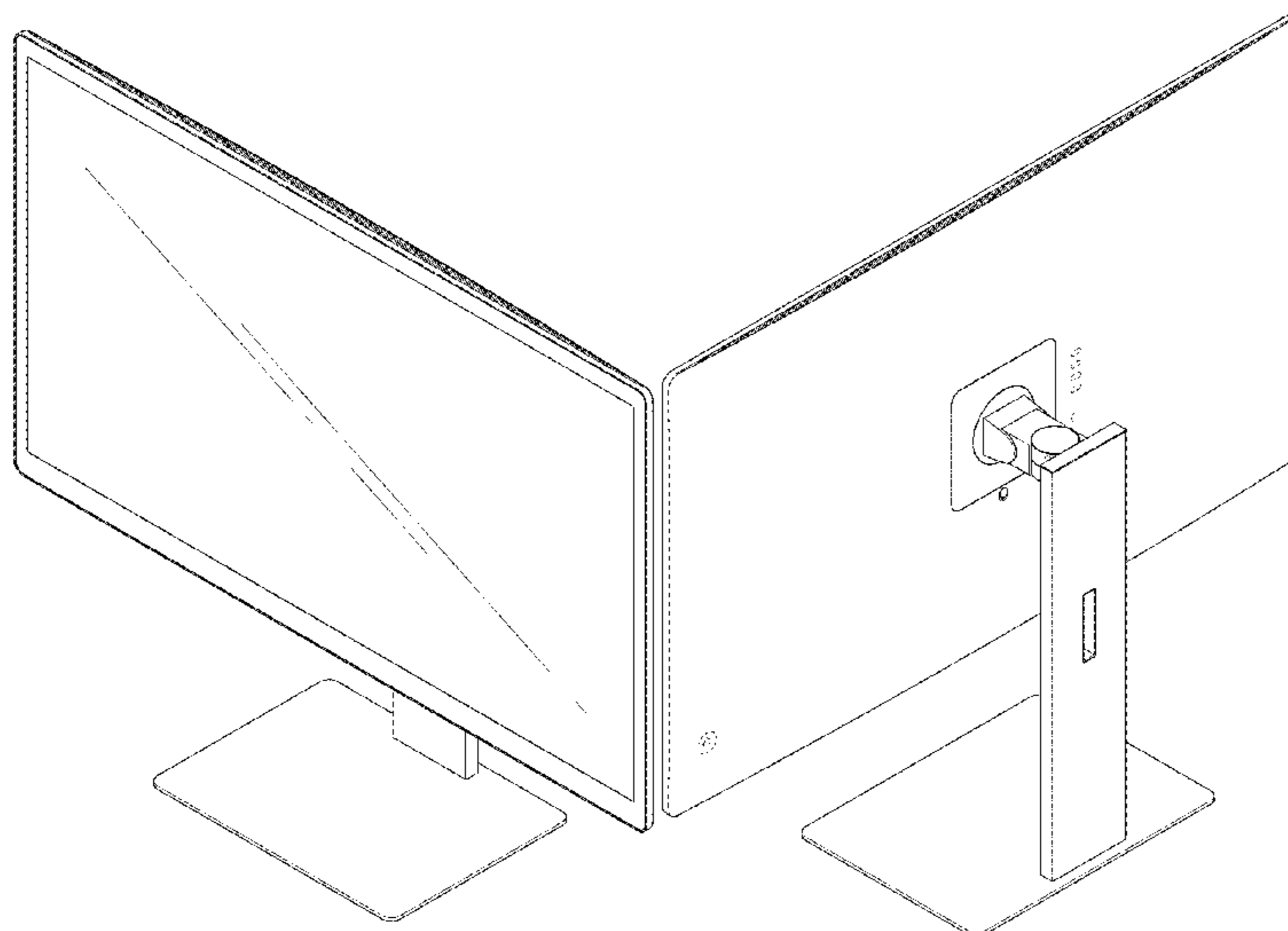
The ornamental design for a monitor for computer, as shown and described.

**DESCRIPTION**

FIG. 1 is a front, right side, perspective view of a monitor for computer showing our new design;  
FIG. 2 is a rear perspective view thereof;  
FIG. 3 is a front view thereof;  
FIG. 4 is a rear view thereof;  
FIG. 5 is a left side view thereof;  
FIG. 6 is a right side view thereof;  
FIG. 7 is a top view thereof; and,  
FIG. 8 is a bottom view.

The broken lines indicate unclaimed portions of the article that form no part of the claimed design.

**1 Claim, 8 Drawing Sheets**



(56)

**References Cited**

U.S. PATENT DOCUMENTS

D888,678 S \* 6/2020 Ryu ..... G06F 1/1605  
D14/126  
D888,679 S \* 6/2020 Kim ..... G06F 1/1605  
D14/126  
D903,616 S \* 12/2020 Kim ..... G06F 1/1605  
D14/129  
2013/0293805 A1\* 11/2013 Ogura ..... B65D 81/057  
349/58

\* cited by examiner

FIG. 1

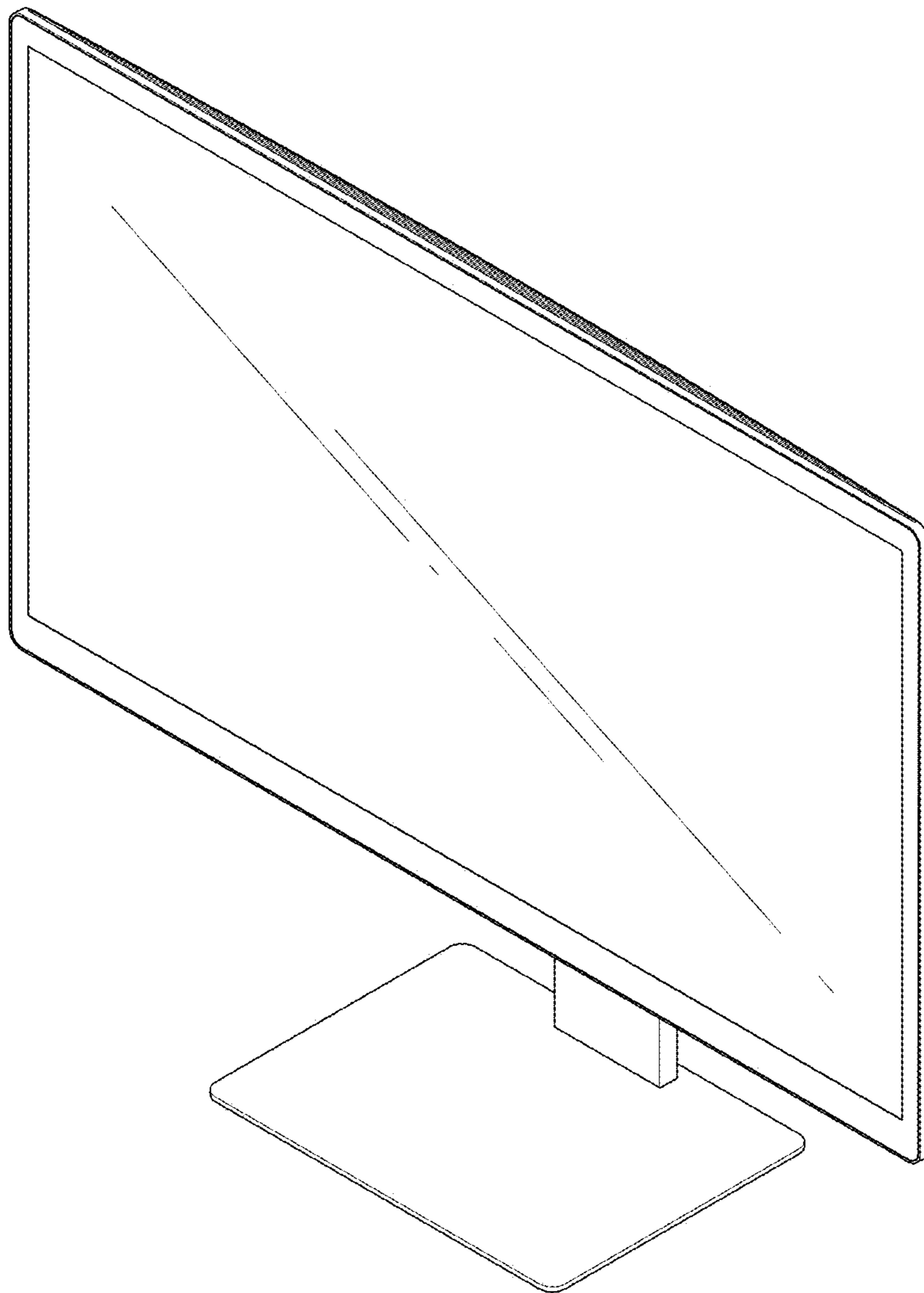


FIG. 2

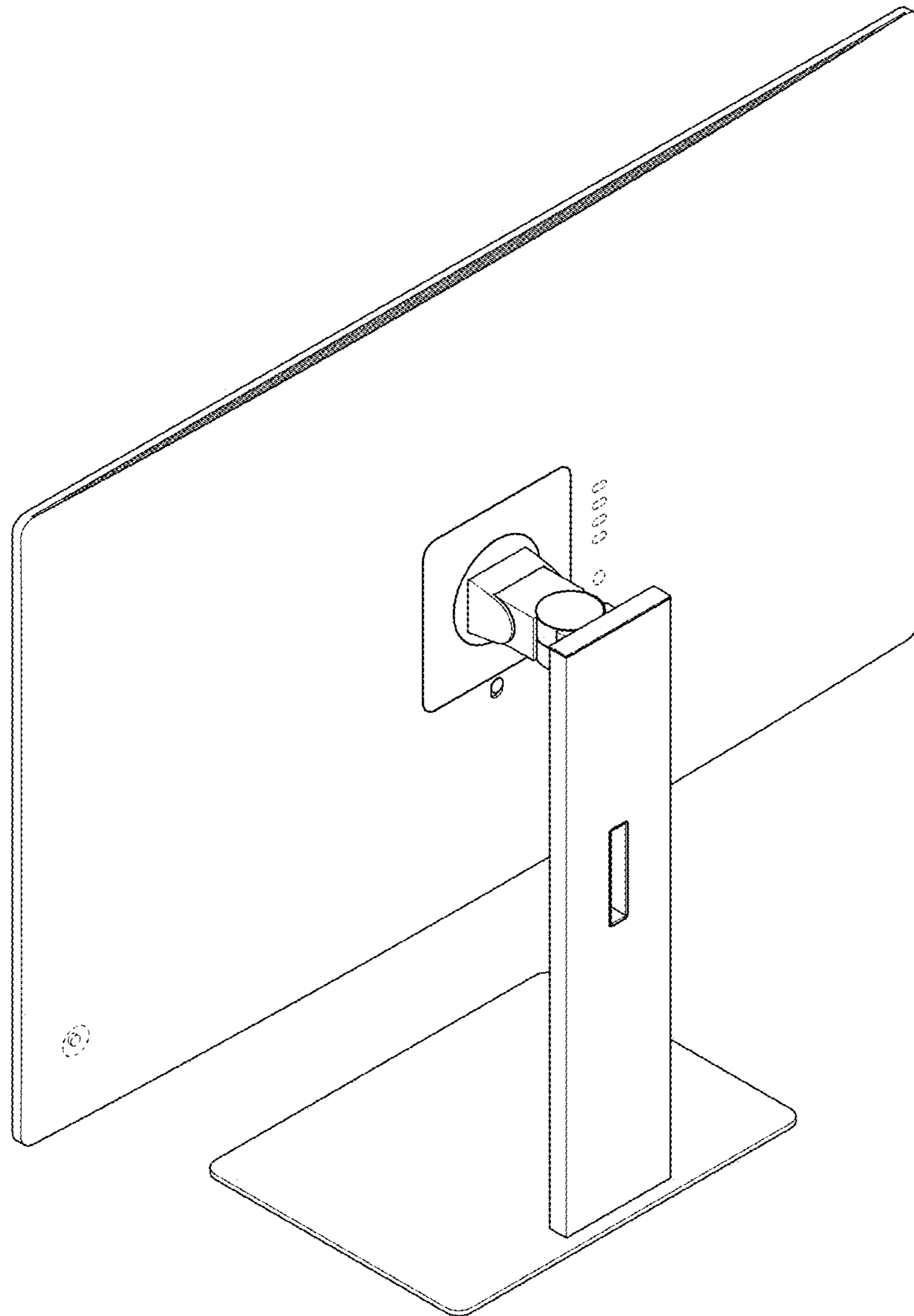


FIG. 3

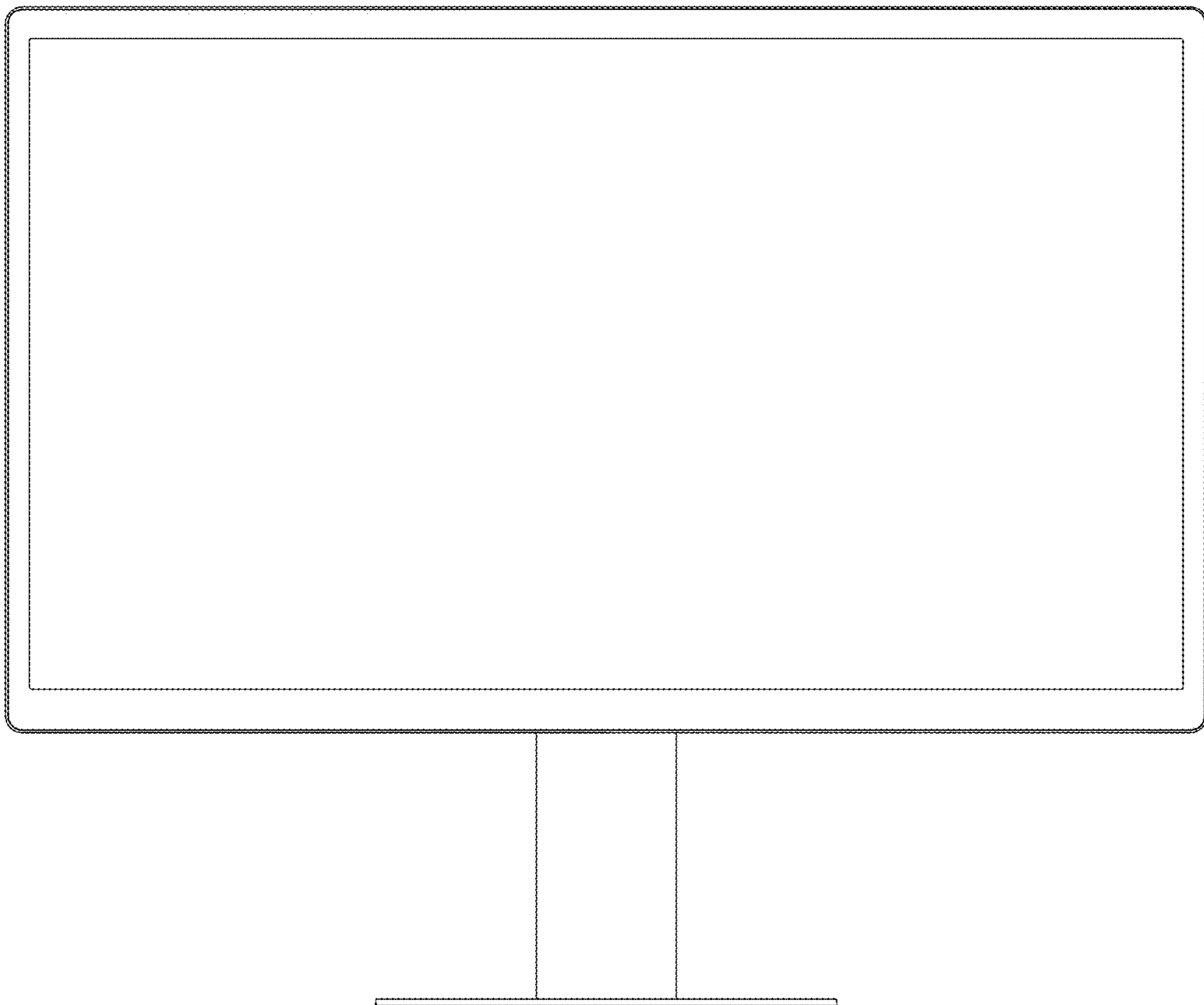


FIG. 4

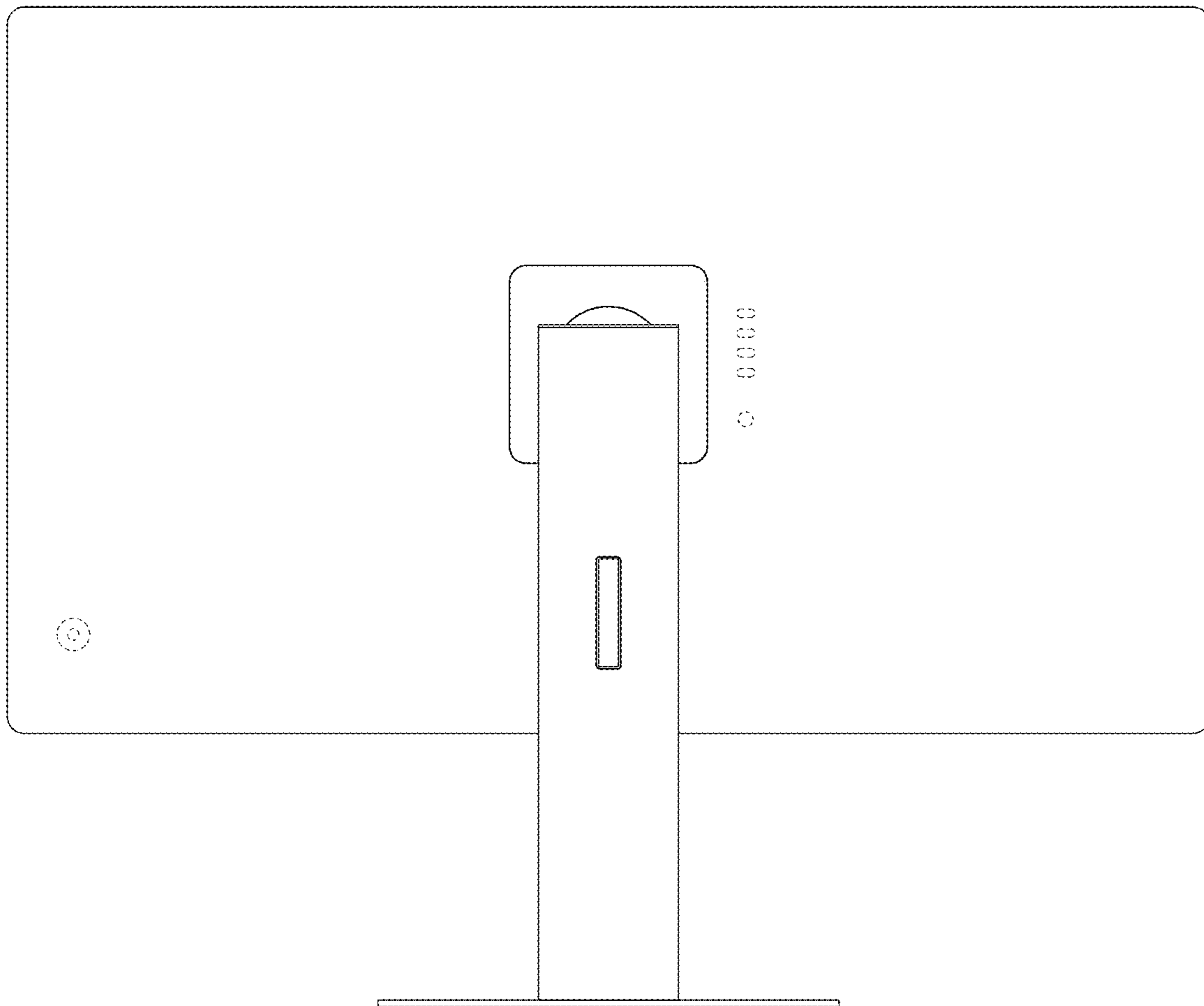


FIG. 5

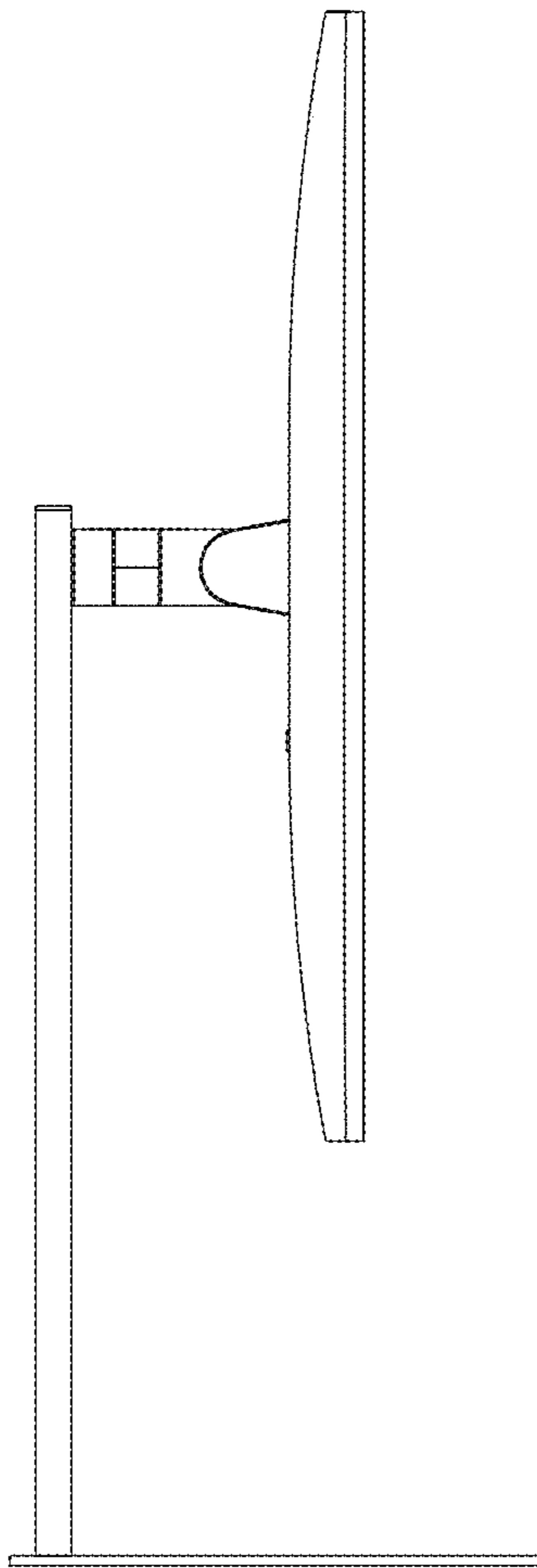


FIG. 6

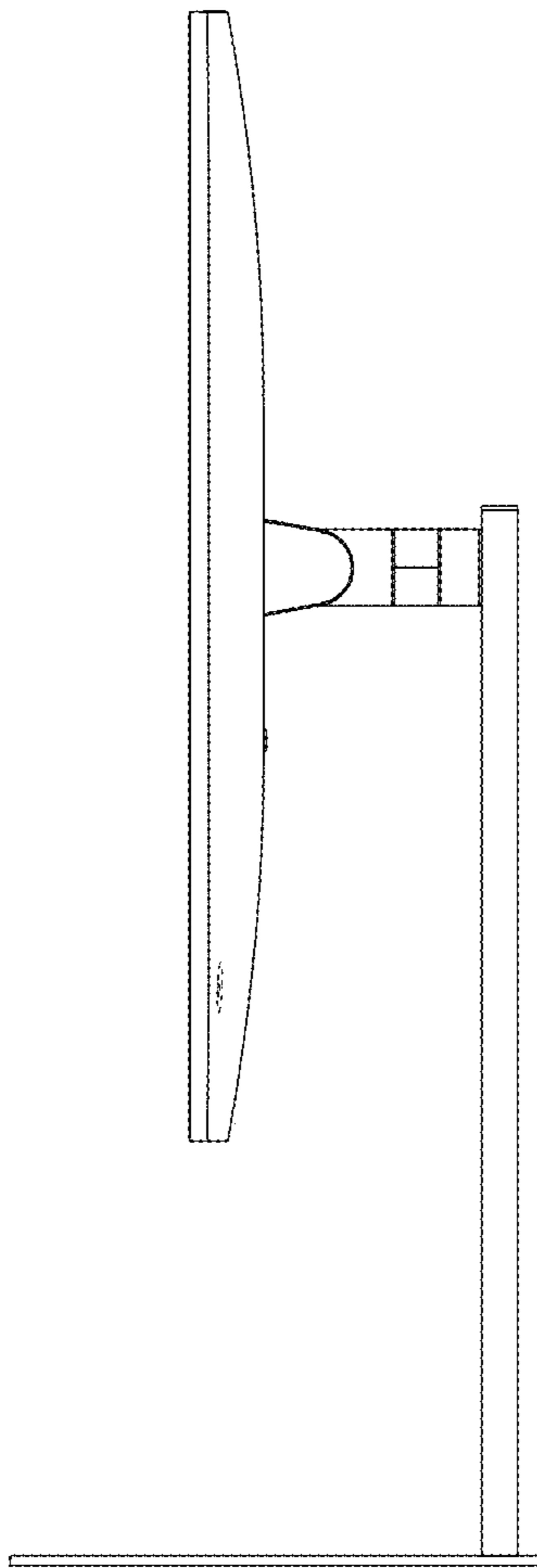




FIG. 7

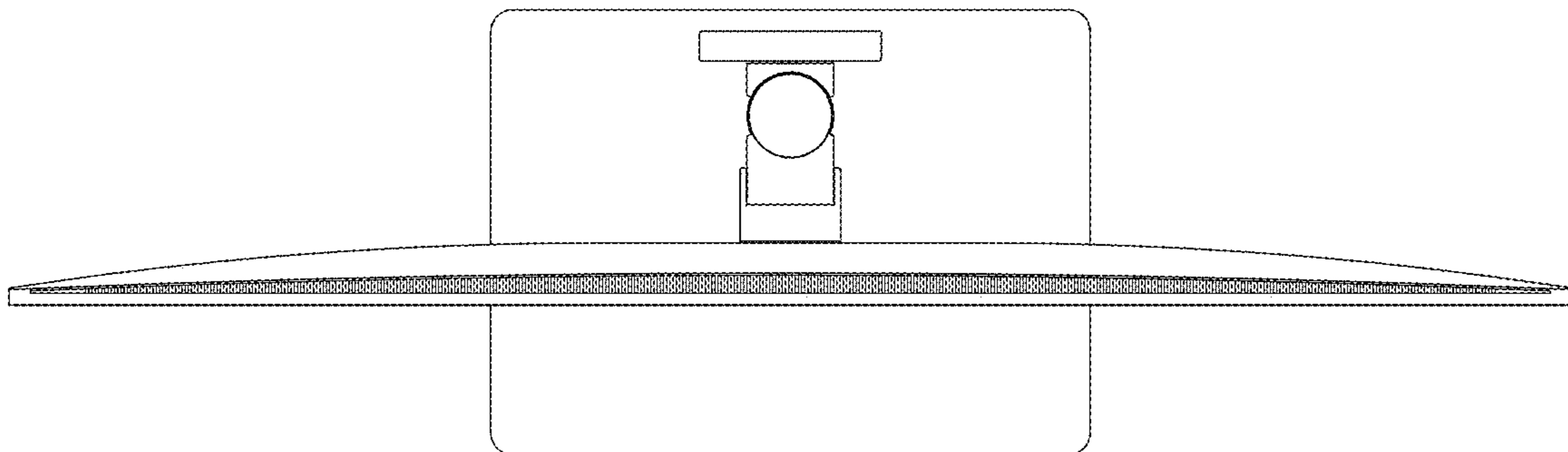


FIG. 8

