

US00D961589S

(12) **United States Design Patent** (10) **Patent No.:** **US D961,589 S**
Sun et al. (45) **Date of Patent:** **** Aug. 23, 2022**

(54) **MONITOR FOR DATA PROCESSING DEVICE**

(71) Applicant: **SIEMENS AKTIENGESELLSCHAFT**, Munich (DE)

(72) Inventors: **Yong Jie Sun**, Chengdu (CN); **Bo Yuan Sun**, Chengdu (CN); **Zhao Hui Zhao**, Chengdu (CN)

(73) Assignee: **Siemens Aktiengesellschaft**, Munich (DE)

(**) Term: **15 Years**

(21) Appl. No.: **29/708,985**

(22) Filed: **Oct. 10, 2019**

(30) **Foreign Application Priority Data**

Apr. 11, 2019 (CN) 201930164445.7

(51) **LOC (13) Cl.** **14-02**

(52) **U.S. Cl.**
USPC **D14/374**

(58) **Field of Classification Search**
USPC D14/126, 129, 130, 132, 133, 159, 239, D14/307, 336, 371, 372, 374, 375, 376, D14/383, 448, 451, 496; D10/46, 65, D10/104.1, 109.1, 75; D24/138, 107, D24/184, 169, 216; D20/10, 18, 19, 21, D20/39

CPC G06F 1/1601; G06F 1/1642; G06F 1/182; G06F 1/20; G06F 2200/1633; G06F 2212/175; H05K 5/00; H05K 5/0017; H05K 5/0021; H05K 5/0204; H05K 5/0217; H05K 5/0234; H05K 5/0243; H05K 7/1481; H04N 1/00127; H04N 1/00129; H04N 1/00283; H04N 1/00519; H04N 1/00522; H04N 5/00; H04N 5/64; H04N 5/645; H04N 5/655; A47B 81/06

See application file for complete search history.

(56) **References Cited**

U.S. PATENT DOCUMENTS

D412,891 S *	8/1999	Sumii	D14/374
D474,162 S *	5/2003	Kubota	D14/126
D486,825 S *	2/2004	Shiota	D14/374
D504,687 S *	5/2005	Lee	D14/374
D512,062 S *	11/2005	Lee	D14/374
D519,117 S *	4/2006	Lewis	D14/374
D541,682 S *	5/2007	Uno	D10/65

(Continued)

OTHER PUBLICATIONS

Newest LCD Industrial Monitor with High Resolution 19 Inch. (Online) 6 pgs. Uploaded May 10, 2018. [retrieved Jan. 20, 2022] <https://www.touchtecs.com/industrial-touch-screen-monitor-with-3-mm-front-panel/newest-lcd-industrial-monitor-with-high-resolution.html> IMG URLs: https://www.touchtecs.com/data/watermark/2018051.*

(Continued)

Primary Examiner — Marie D. Fast Horse

(74) *Attorney, Agent, or Firm* — Henry M. Feiereisen LLC

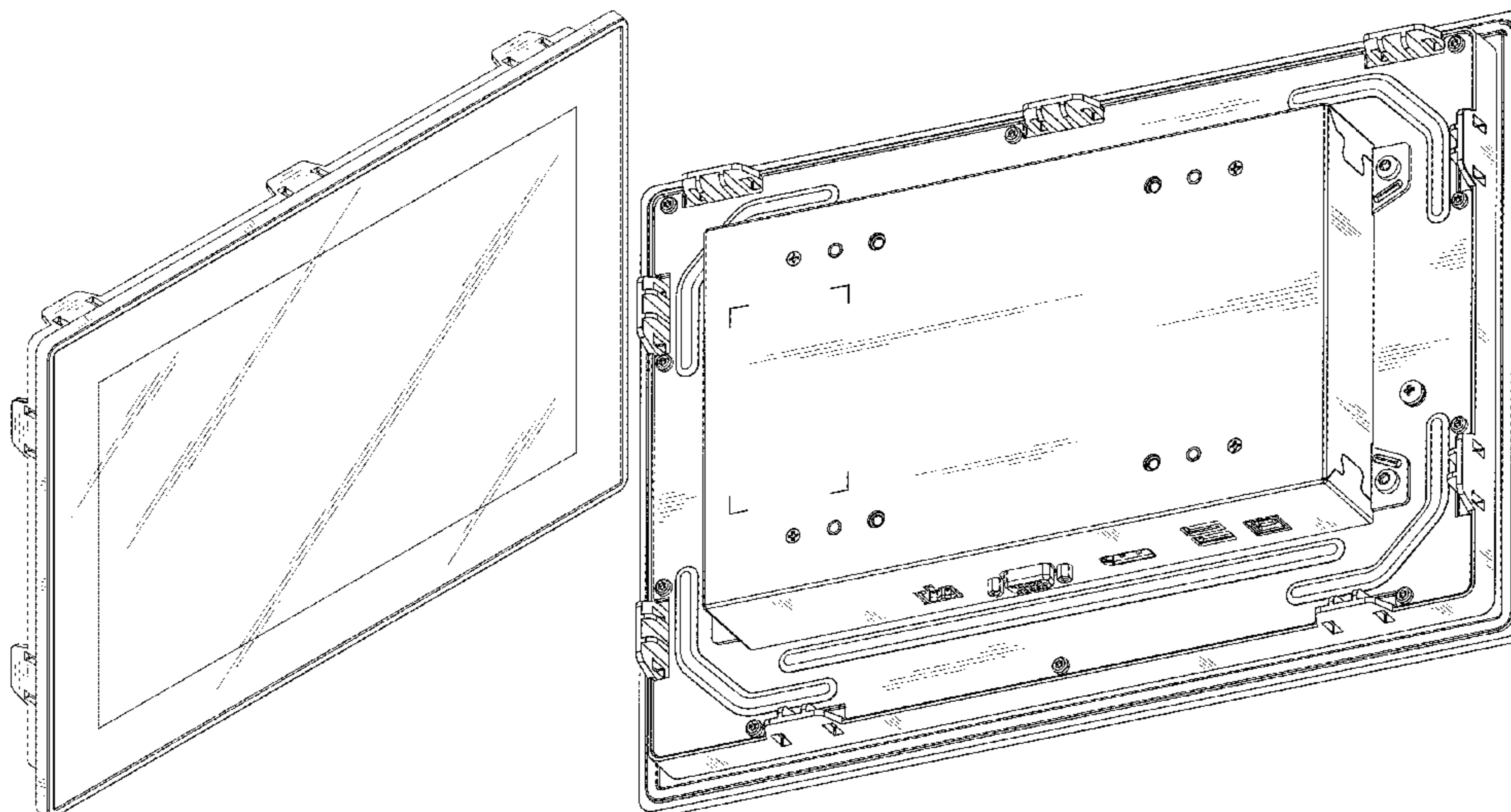
(57) **CLAIM**

The ornamental design for a monitor for data processing device, as shown and described.

DESCRIPTION

FIG. 1 is a front view of a monitor for data processing device, showing our new design;
FIG. 2 is a rear view thereof;
FIG. 3 is a top view thereof;
FIG. 4 is a bottom view hereof;
FIG. 5 is a right side view thereof;
FIG. 6 is a left side view thereof;
FIG. 7 is a top, front and left side perspective view thereof; and,
FIG. 8 is a top, rear and right side perspective view thereof.

1 Claim, 8 Drawing Sheets



(56)

References Cited

U.S. PATENT DOCUMENTS

D566,661 S * 4/2008 Ludwig D13/162
 D570,804 S * 6/2008 Fujiki D14/126
 D571,748 S * 6/2008 Ellison D14/126
 D593,090 S * 5/2009 Ougiya D14/371
 D601,143 S * 9/2009 Oikawa D14/336
 D610,582 S * 2/2010 Sugitani D14/336
 7,884,814 B1 * 2/2011 Graham G06F 1/1609
 345/204
 D637,195 S * 5/2011 Stammers D14/450
 D662,094 S * 6/2012 Mack D14/336
 D664,513 S * 7/2012 Laube D14/126
 D669,075 S * 10/2012 Seo D14/371
 D669,076 S * 10/2012 Haller D14/374
 D687,389 S * 8/2013 Baumgartner D13/164
 D709,495 S * 7/2014 Akutsu D14/371
 D709,496 S * 7/2014 Nakamura D14/371
 D709,879 S * 7/2014 Nakamura D14/371
 8,885,110 B1 * 11/2014 St. Clair G06F 1/1654
 348/836
 D729,793 S * 5/2015 Hickok D14/371
 D729,797 S * 5/2015 Hickok D14/371
 D738,229 S * 9/2015 Jiang D10/50
 D738,232 S * 9/2015 Eyring D10/50
 D738,756 S * 9/2015 Jiang D10/50
 D754,080 S * 4/2016 Chen D13/162.1
 D762,290 S * 7/2016 Jepson D23/342
 D762,772 S * 8/2016 Tsuruoka D19/113
 D765,042 S * 8/2016 Shimohama D13/164
 D766,899 S * 9/2016 Kim D14/374
 D769,240 S * 10/2016 Yu D14/371
 D805,488 S * 12/2017 Dry D14/126
 D807,346 S * 1/2018 Honda D14/336
 D837,786 S * 1/2019 Okumura D14/371

D864,194 S * 10/2019 Perry D14/336
 D874,950 S * 2/2020 Gentle D10/50
 D878,360 S * 3/2020 Sun D14/301
 D894,021 S * 8/2020 Smith D10/50
 D902,926 S * 11/2020 Andersson D14/371
 D908,122 S * 1/2021 Luo D14/336
 D934,852 S * 11/2021 Sun D14/301
 D935,451 S * 11/2021 Sun D14/301
 2012/0320537 A1 * 12/2012 Kaufman H05K 9/0067
 361/729
 2015/0201509 A1 * 7/2015 Le G06F 1/1637
 362/97.1
 2017/0255237 A1 * 9/2017 Van Dijke G06F 1/182

OTHER PUBLICATIONS

Siemens Data sheet—Simatic IFP1200 Basic Flat Panel 12in display—
 6AV7862-2BC00-0AA0. (online pdf) 3 p. May 8, 2020 [retrieved
 Jan. 20, 2022] [https://www.electricalautomationnetwork.com/PDF/
 PIM/SIE/EN_6AV7862-2BC00-0AA0.pdf](https://www.electricalautomationnetwork.com/PDF/PIM/SIE/EN_6AV7862-2BC00-0AA0.pdf).
 Data Sheet: Panel Mount Monitors and Touch Screen, (online pdf)
 9 pgs. Jun. 2021 [retrieved Jan. 19, 2022] [https://www.hopeindustrial.
 com/wp-content/uploads/dlm_uploads/2018/04/Data_Sheet_Panel_
 Mount-1.pdf](https://www.hopeindustrial.com/wp-content/uploads/dlm_uploads/2018/04/Data_Sheet_Panel_Mount-1.pdf).
 Delivery Release Simatic IFP Basic, (online) 2 pgs. May 15, 2019
 [retrieved Jan. 20, 2022] [https://support.industry.siemens.com/cs/
 document/109767074/delivery-release-simatic-ifp-basic?dti=0&lc=
 en-WW](https://support.industry.siemens.com/cs/document/109767074/delivery-release-simatic-ifp-basic?dti=0&lc=en-WW).
 Industrial panel computers. (Design—© Questel) orbit.com. [online
 PDF of Foreign references] 25 pgs. Print Dates range Jan. 15,
 2014-Dec. 27, 2019. [Retrieved Jan. 20, 2022] [https://www.orbit.
 com/export/QPTUJ214/pdf2/8fd8de13-a839-4944-9b71-
 d80b5d17e551-235224.pdf](https://www.orbit.com/export/QPTUJ214/pdf2/8fd8de13-a839-4944-9b71-d80b5d17e551-235224.pdf).

* cited by examiner

FIG. 1

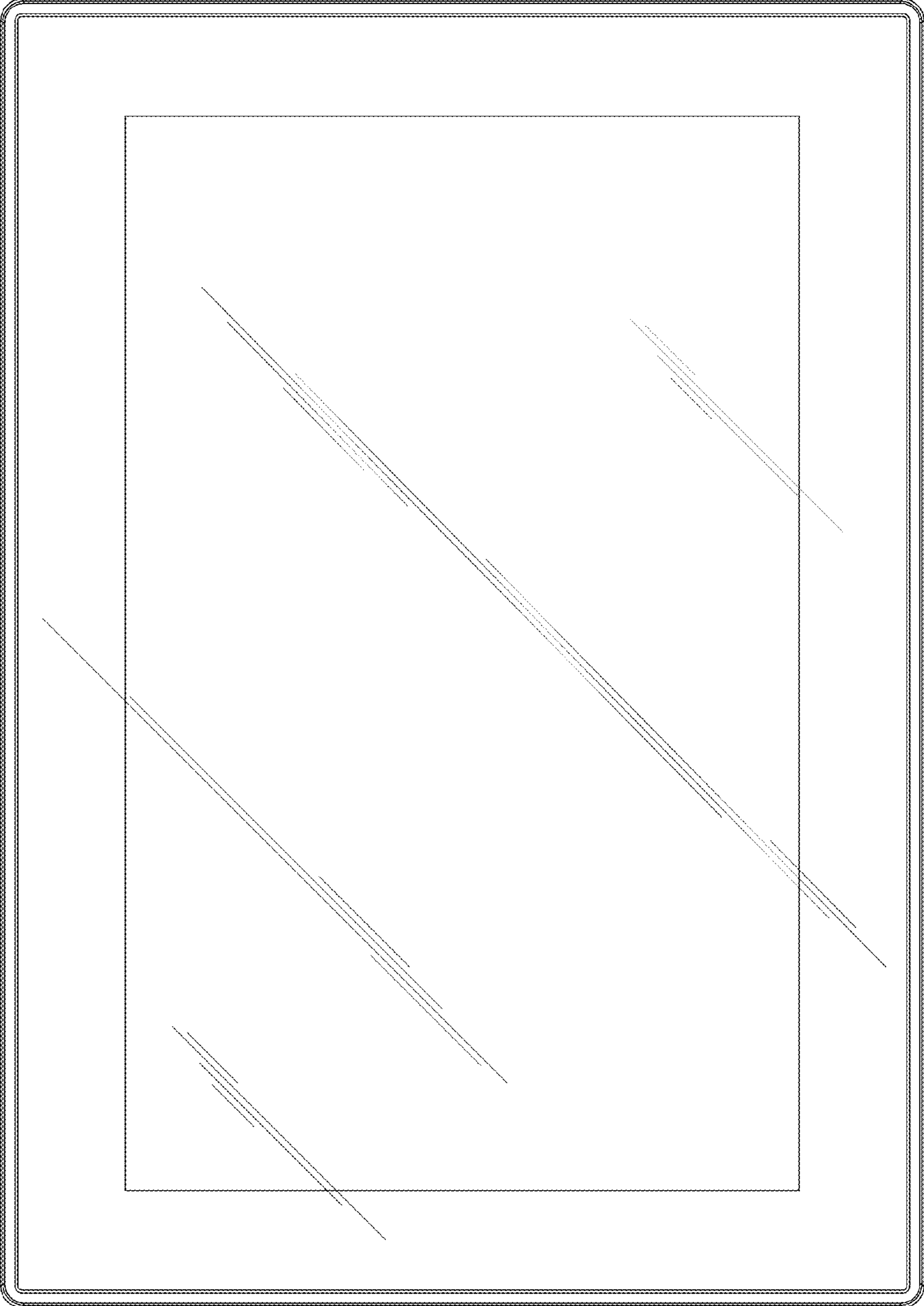


FIG. 2

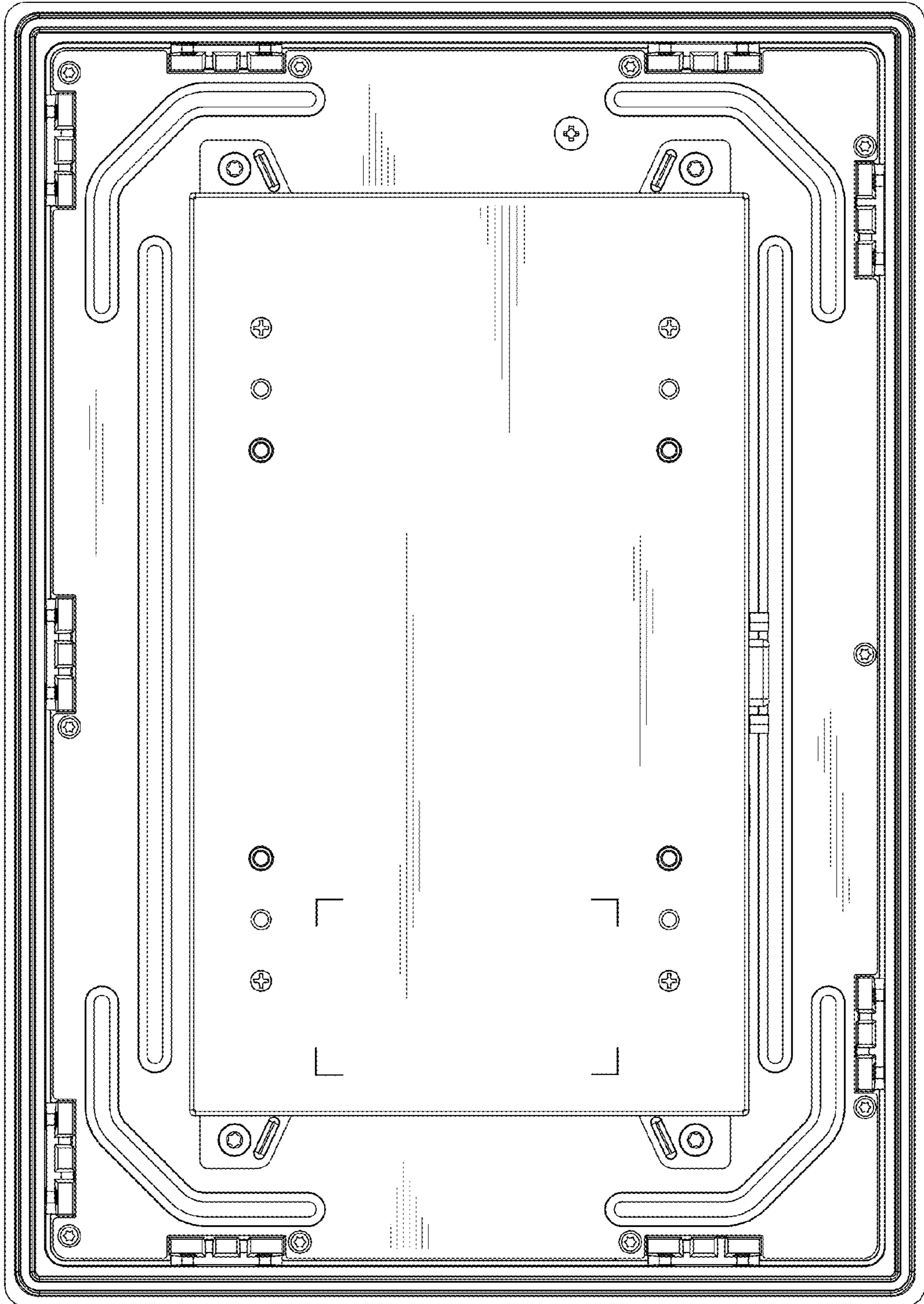


FIG. 3

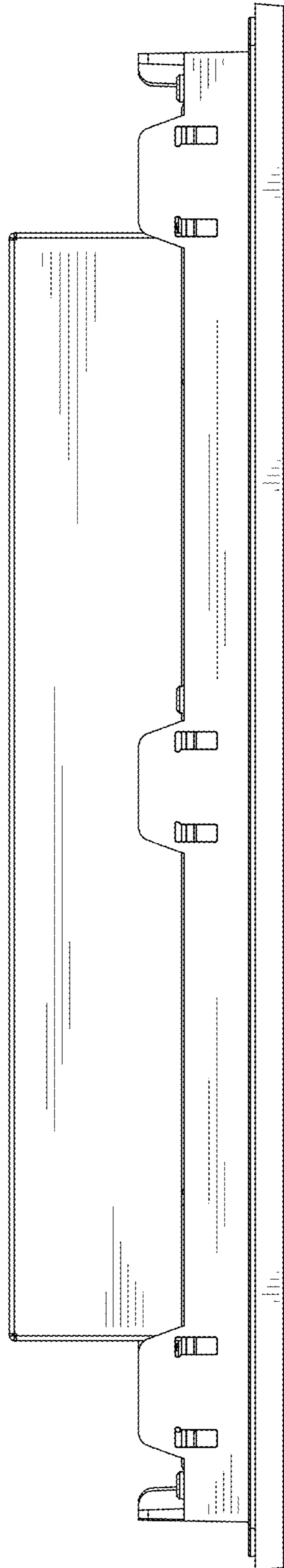


FIG. 4

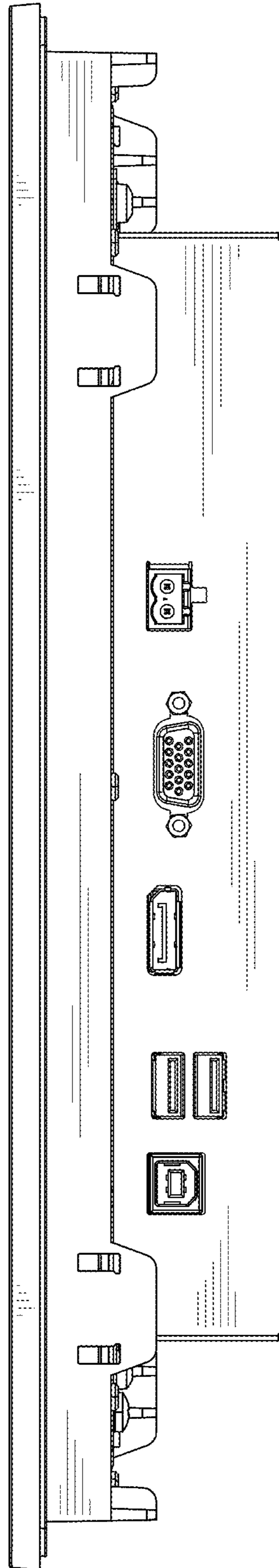


FIG. 5



FIG. 6

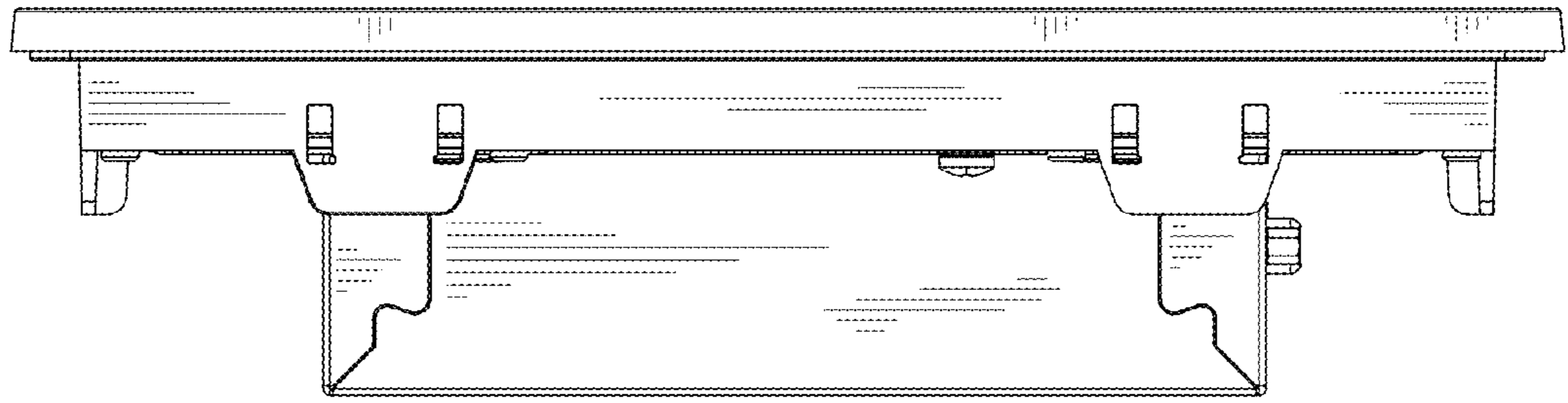


FIG. 7

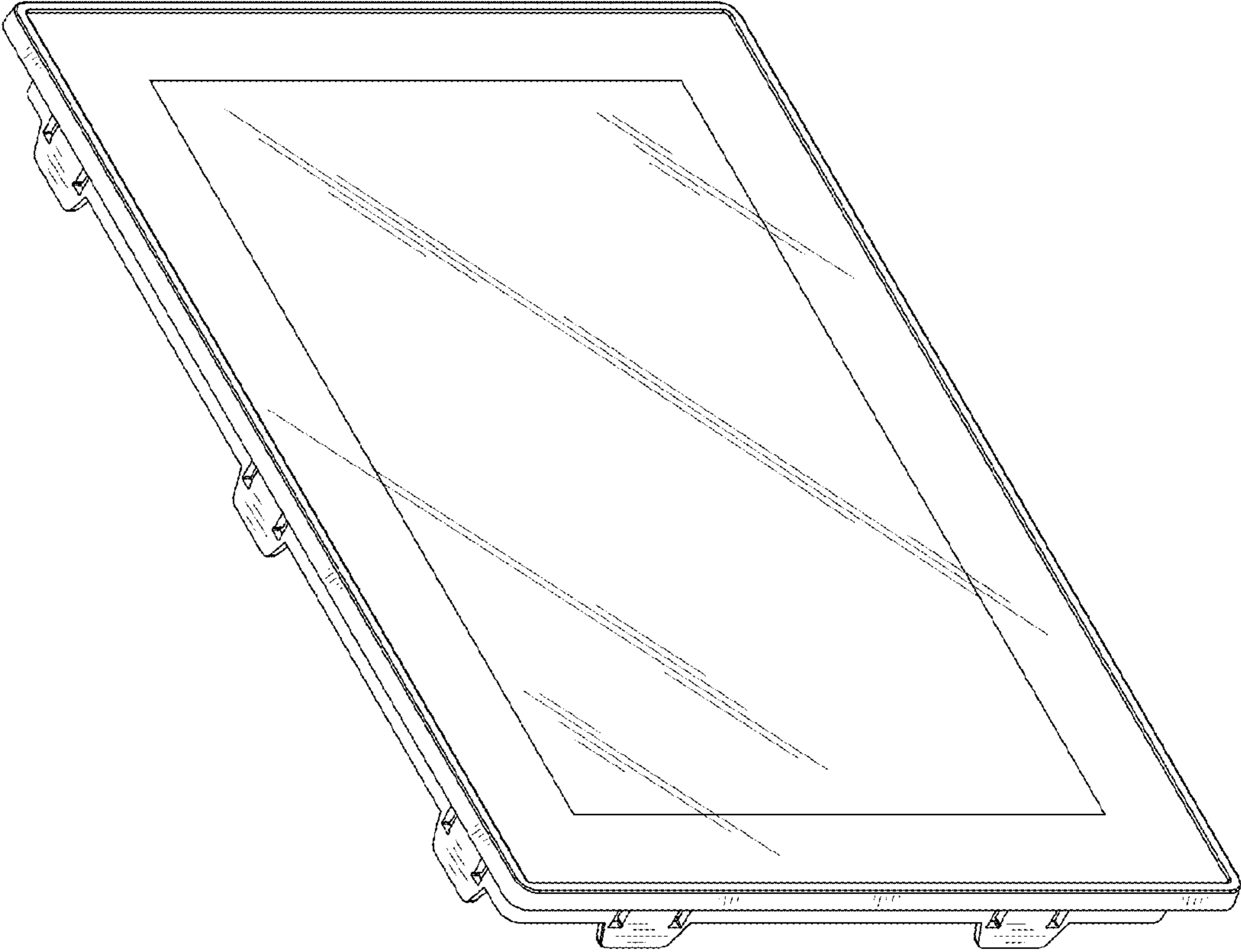


FIG. 8

