



US00D961585S

(12) **United States Design Patent**
He et al.

(10) **Patent No.:** **US D961,585 S**

(45) **Date of Patent:** **** Aug. 23, 2022**

- (54) **SMARTWATCH**
- (71) Applicant: **SHENZHEN DO INTELLIGENT TECHNOLOGY CO., LTD.**, Shenzhen (CN)
- (72) Inventors: **An He**, Shenzhen (CN); **Beijie Hong**, Shenzhen (CN)
- (73) Assignee: **Shenzhen Do Intelligent Technology Co., Ltd.**, Shenzhen (CN)
- (**) Term: **15 Years**
- (21) Appl. No.: **29/804,607**
- (22) Filed: **Aug. 20, 2021**
- (51) **LOC (13) Cl.** **14-02**
- (52) **U.S. Cl.** **D14/344**
- (58) **Field of Classification Search**
USPC D14/341–344, 144, 203.1–203.8, 217, D14/238.1, 358, 388, 432; D10/30–39, D10/122–125
CPC G06F 1/163; H04B 1/385; H04B 1/3888; H04M 1/04; H04M 1/05; A61B 5/332; G04G 21/00; G04G 21/025
See application file for complete search history.

(56) **References Cited**

U.S. PATENT DOCUMENTS

- D545,697 S * 7/2007 Martin D10/38
- D678,081 S * 3/2013 Cabiddu D10/38
- D739,268 S * 9/2015 Lammers-Meis D10/38
- 9,671,757 B1 * 6/2017 Yuen G04G 21/04
- D796,346 S 9/2017 Park et al.
- D816,667 S 5/2018 Muzik
- D819,626 S 6/2018 Huawei
- D823,853 S 7/2018 Yoshimoto et al.
- D827,640 S 9/2018 Philips

- D836,465 S 12/2018 Register et al.
- D836,466 S 12/2018 Shi
- D844,458 S * 4/2019 Lillquist D10/30
- D847,010 S * 4/2019 Akana D14/344
- D848,864 S 5/2019 Mockler et al.
- D851,504 S * 6/2019 Henne D14/344
- D858,312 S 9/2019 Liu et al.
- D874,298 S 2/2020 Xie et al.
- D875,092 S * 2/2020 Akana D14/344
- D876,966 S 3/2020 Shi
- D894,179 S 8/2020 Chung et al.
- D899,426 S * 10/2020 Akana D14/432
- D912,542 S 3/2021 Moilanen et al.
- D915,399 S * 4/2021 Chao D14/344
- D920,971 S 6/2021 Park et al.
- D927,325 S 8/2021 Withings
- D927,485 S 8/2021 Wu
- D927,991 S 8/2021 Ide et al.

(Continued)

Primary Examiner — Rebekah A Caruso

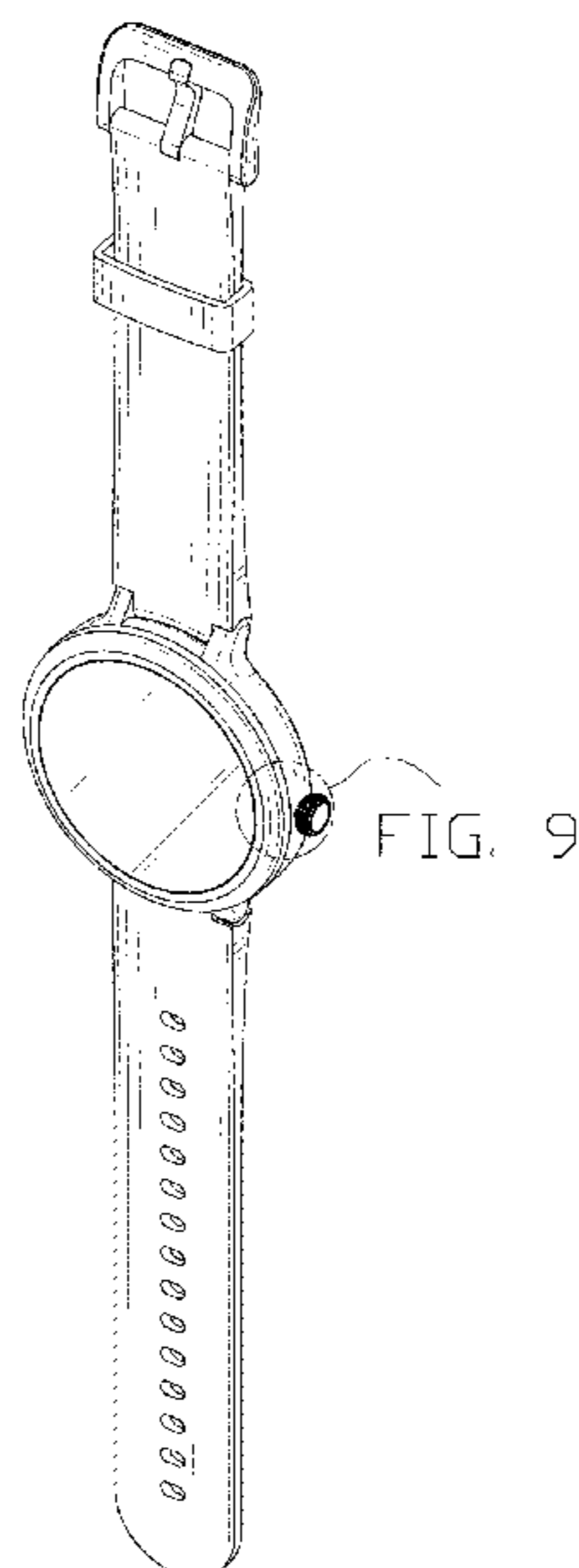
(57) **CLAIM**

The ornamental design for a smartwatch, as shown and described.

DESCRIPTION

FIG. 1 is a front, right and top side perspective view of a smartwatch showing our new design;
 FIG. 2 is a rear, left and bottom side perspective view thereof;
 FIG. 3 is a front elevation view thereof;
 FIG. 4 is a rear elevation view thereof;
 FIG. 5 is a left side elevation view thereof;
 FIG. 6 is a right side elevation view thereof;
 FIG. 7 is a top plan view thereof;
 FIG. 8 is a bottom plan view thereof;
 FIG. 9 is a partial enlarged view of FIG. 1; and,
 FIG. 10 is a partial enlarged view of FIG. 2.
 The broken lines shown in the drawings represent portions of the smartwatch that form no part of the claimed design.

1 Claim, 10 Drawing Sheets



(56)

References Cited

U.S. PATENT DOCUMENTS

D929,396 S * 8/2021 Zou D14/344
D931,116 S 9/2021 Withings
D933,065 S 10/2021 Hong et al.
D934,238 S 10/2021 Louie
D945,415 S * 3/2022 Chao D14/344
2017/0185048 A1* 6/2017 Yuen G04G 21/04

* cited by examiner

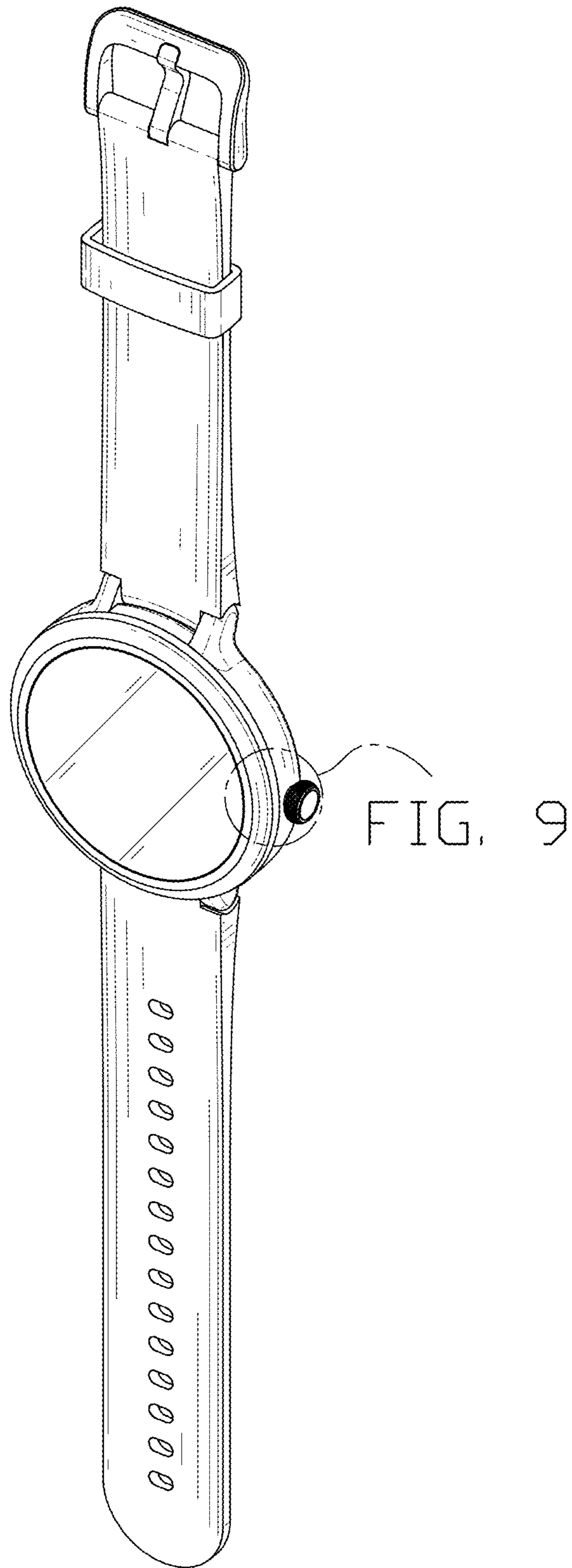


FIG. 1

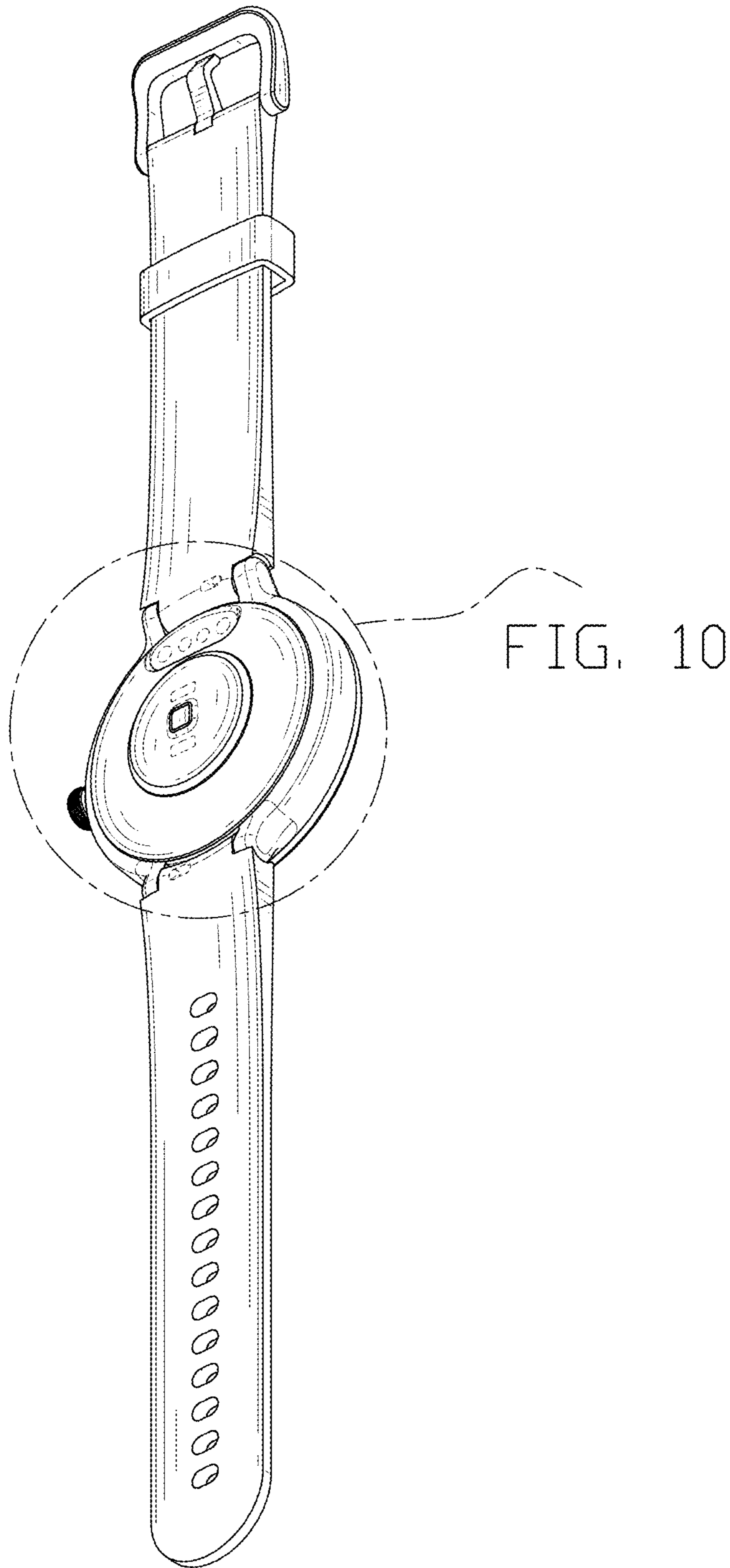


FIG. 2

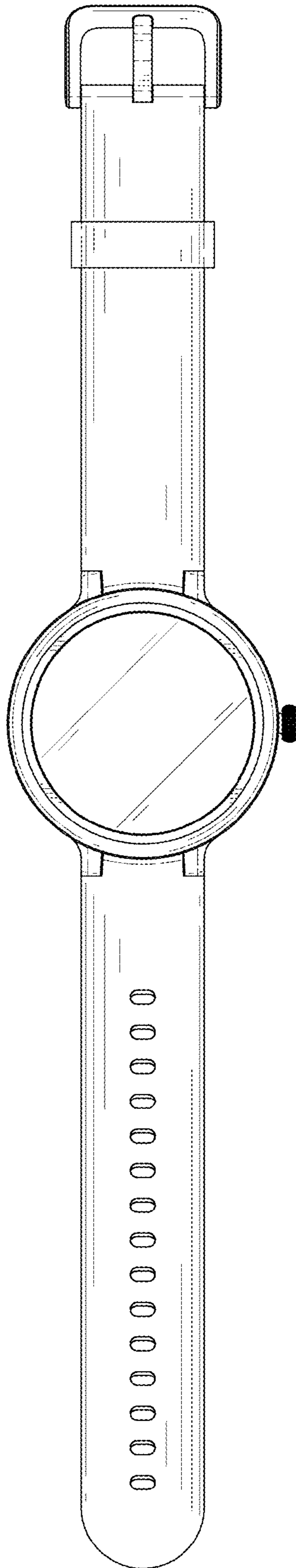


FIG. 3

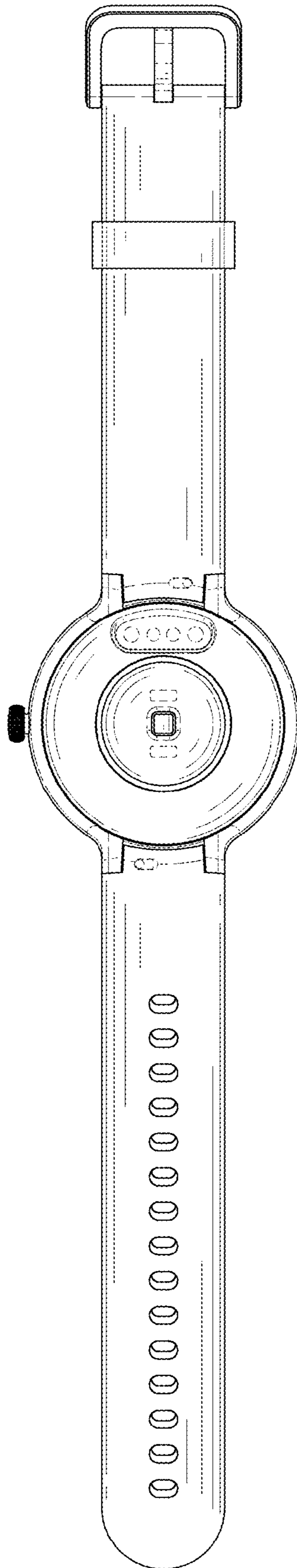


FIG. 4

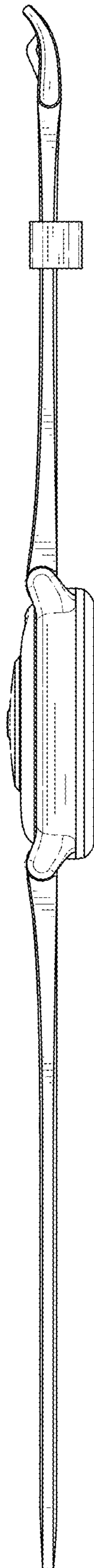


FIG. 5

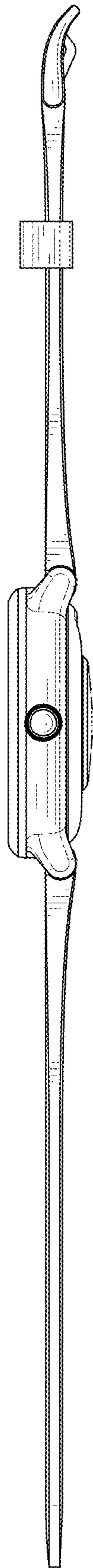


FIG. 6

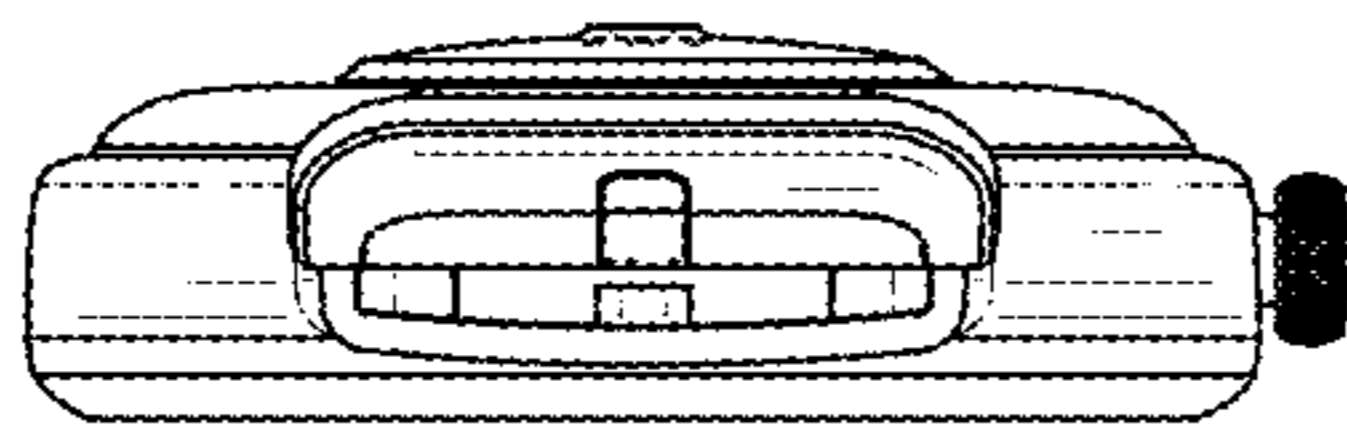


FIG. 7

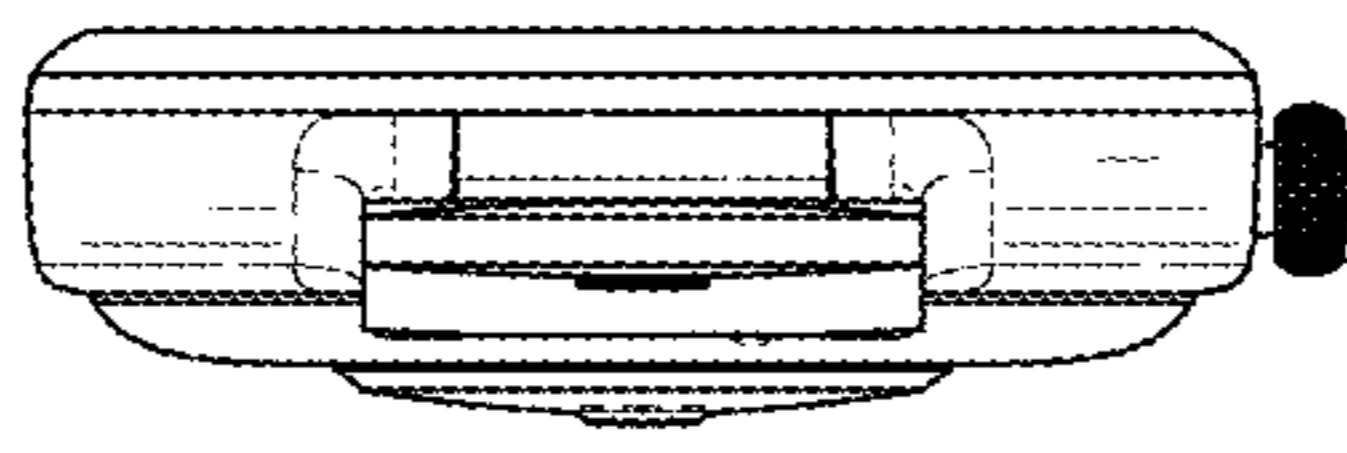


FIG. 8

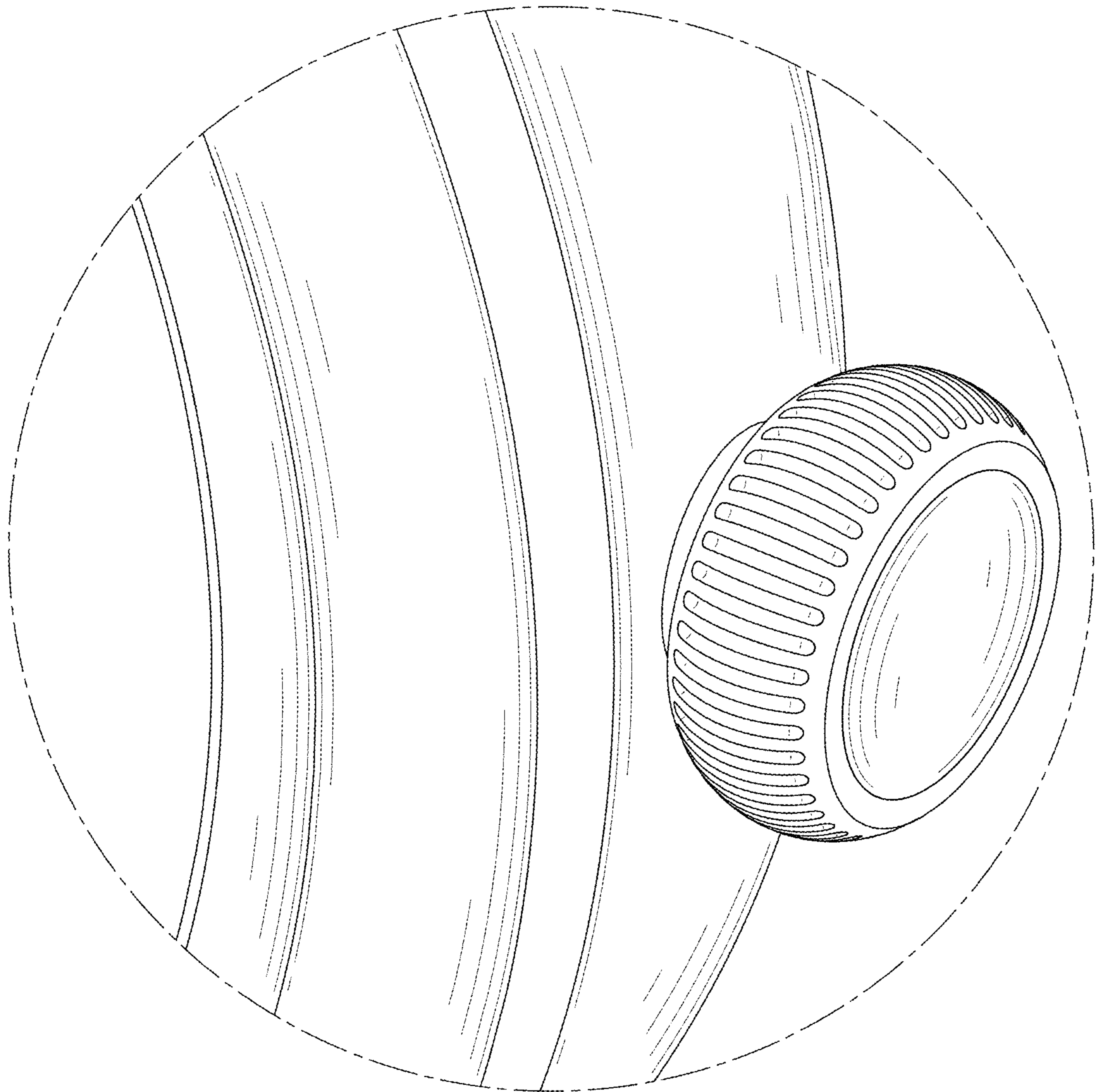


FIG. 9

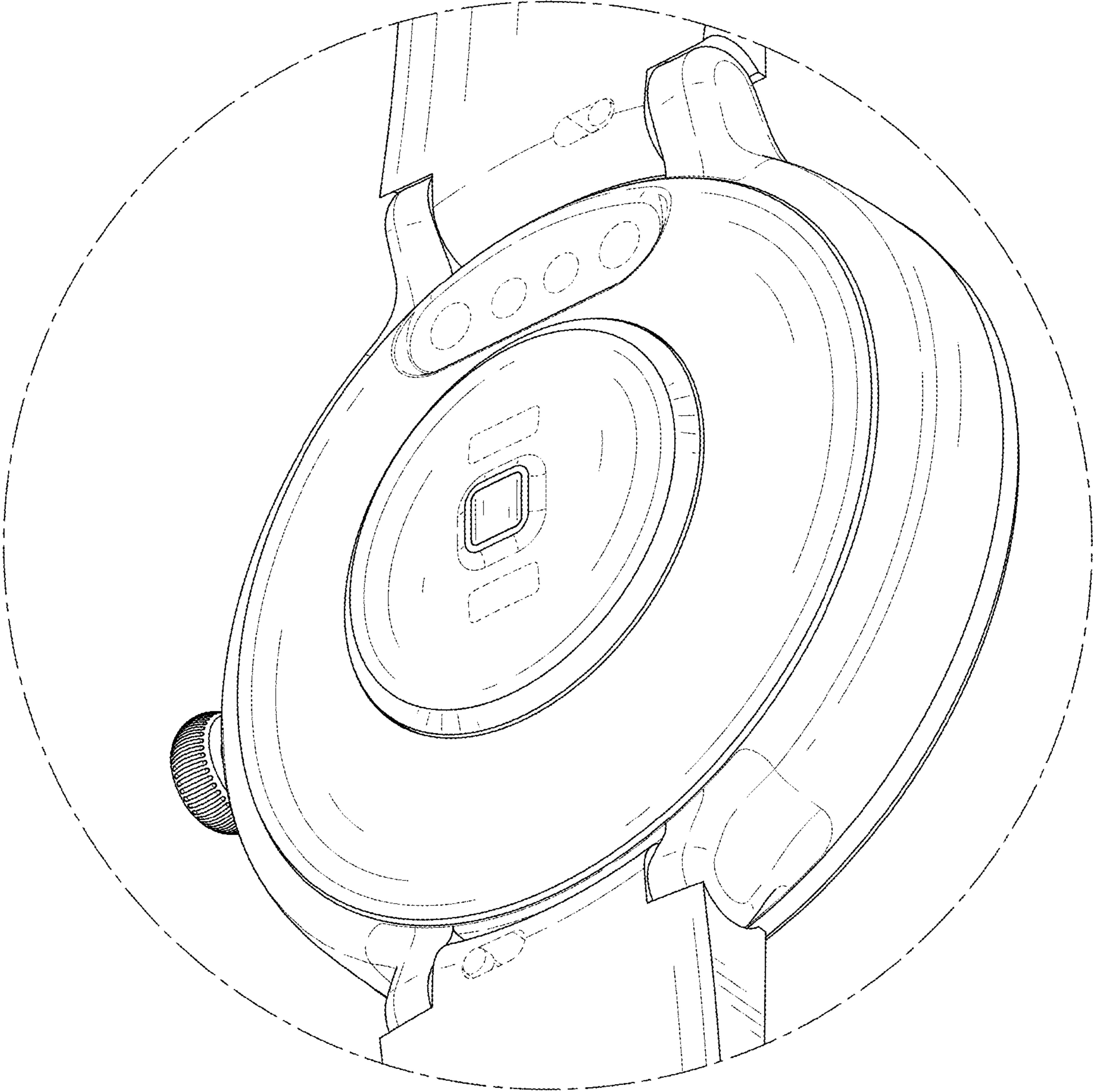


FIG. 10