



US00D961584S

(12) **United States Design Patent** (10) **Patent No.:** **US D961,584 S**  
**Painter et al.** (45) **Date of Patent:** **\*\* Aug. 23, 2022**

(54) **ELECTRONIC WATCH DEVICE**

(71) Applicant: **T-Mobile USA, Inc.**, Bellevue, WA (US)

(72) Inventors: **Christopher Painter**, Kirkland, WA (US); **Andre Sacaguti**, Sammamish, WA (US); **Aaron Takeshi Sisneros**, Oakland, CA (US); **Maikel Faltaous**, Renton, WA (US); **Jeffrey Scott Croyle**, San Francisco, CA (US)

(73) Assignee: **T-Mobile USA, Inc.**, Bellevue, WA (US)

(\*\*) Term: **15 Years**

(21) Appl. No.: **29/761,517**

(22) Filed: **Dec. 9, 2020**

(51) **LOC (13) Cl.** ..... **14-02**

(52) **U.S. Cl.**  
USPC ..... **D14/344**; D10/32

(58) **Field of Classification Search**  
USPC ..... D10/30-39, 65, 70; D11/3; D14/341, D14/344, 440; D24/167, 186  
CPC ..... G04G 17/00; G04G 17/08; G04G 17/083; G04G 21/08; A44C 5/00; A44C 5/0007; A44C 5/0023; A44C 5/0053; A44C 5/147; A44C 5/18  
See application file for complete search history.

(56) **References Cited**

**U.S. PATENT DOCUMENTS**

D578,961 S 10/2008 Fisher et al.  
D647,107 S 10/2011 Akana et al.  
8,256,612 B1 9/2012 Wang  
(Continued)

**OTHER PUBLICATIONS**

Hands On with the T-Mobile SyncUp Kids Watch | phonescoop.com; Nov. 2021 [online]. © 2001-2021 Phone Factor, LLC. [retrieved

Dec. 15, 2021] from Internet: <<https://www.phonescoop.com/articles/article.php?a=22662>> (Year: 2021).\*

(Continued)

*Primary Examiner* — Katherine Glennon  
(74) *Attorney, Agent, or Firm* — Han Santos, PLLC

(57) **CLAIM**

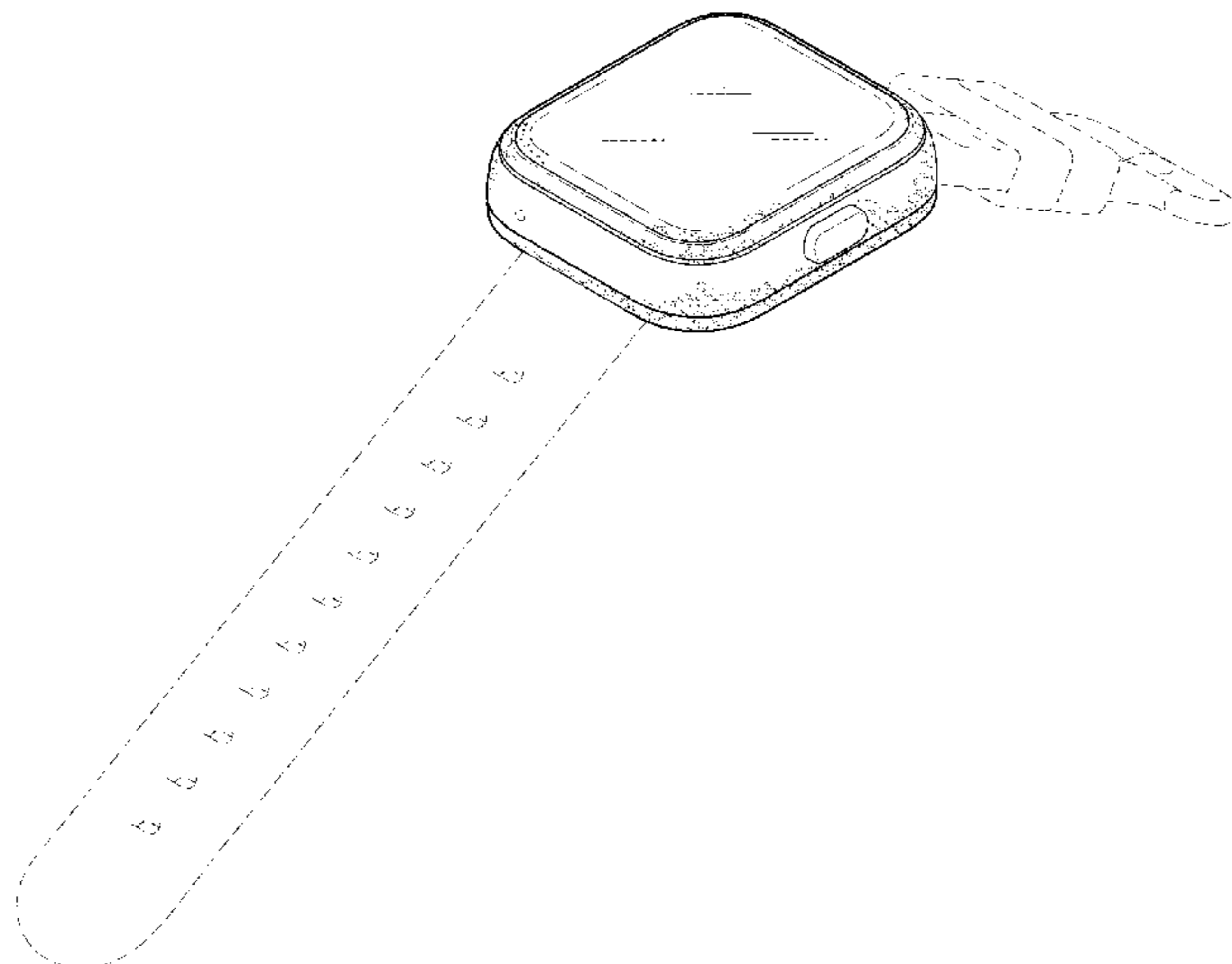
The ornamental design for an electronic watch device, as shown and described.

**DESCRIPTION**

FIG. 1 is a perspective view of an electronic watch device taken from the top, right, and front, showing our new design in an environment of use;  
FIG. 2 is a perspective view of the electronic watch device taken from the top, right, and front;  
FIG. 3 is a perspective view of the electronic watch device taken from the top, left, and back;  
FIG. 4 is a front elevation view of the electronic watch device of FIG. 2;  
FIG. 5 back elevation view of the electronic watch device of FIG. 2;  
FIG. 6 is a right elevation view of the electronic watch device of FIG. 2;  
FIG. 7 is a left elevation view of the electronic watch device of FIG. 2;  
FIG. 8 is a top plan view of the electronic watch device of FIG. 2; and,  
FIG. 9 is a bottom plan view of the electronic watch device of FIG. 2.

The dashed broken lines showing portions of the electronic watch device form no part of the claimed design. The dashed broken lines showing a watch band are for the purpose of illustrating environment and form no part of the claimed design. The shade lines in FIGS. 1, 2, and 8 show transparent or reflective surfaces and are not representative of surface ornamentation.

**1 Claim, 7 Drawing Sheets**



(56)

References Cited

U.S. PATENT DOCUMENTS

D678,298 S 3/2013 Burridge  
 D705,160 S 5/2014 Ormesher et al.  
 D714,295 S 9/2014 Fujioka  
 D716,312 S 10/2014 Fujioka  
 D725,497 S \* 3/2015 Henne ..... D10/38  
 D727,259 S 4/2015 Hwang  
 D729,163 S 5/2015 Meyer  
 D735,199 S 7/2015 Song  
 D749,570 S \* 2/2016 Lee ..... D14/344  
 D762,203 S 7/2016 Chin et al.  
 D763,107 S 8/2016 Nielsen et al.  
 D766,905 S 9/2016 Lee  
 D769,879 S 10/2016 Kim  
 D775,126 S \* 12/2016 Montero Odasso ..... D14/344  
 D780,740 S 3/2017 Kim  
 D784,346 S 4/2017 Tao  
 D786,879 S 5/2017 Kim  
 D792,886 S 7/2017 Schwibner et al.  
 D797,099 S 9/2017 Wieser et al.  
 D800,721 S \* 10/2017 Kim ..... D14/344  
 D802,151 S \* 11/2017 Bagatar ..... D24/186  
 D807,877 S \* 1/2018 Iwamatsu ..... D14/344  
 D808,961 S \* 1/2018 Lee ..... D14/344  
 D834,029 S 11/2018 Wengreen  
 D838,716 S \* 1/2019 Teng ..... D14/344  
 D839,753 S \* 2/2019 Domke ..... D10/30  
 D841,005 S \* 2/2019 Lin ..... D14/344  
 D841,636 S 2/2019 Turk  
 D843,864 S \* 3/2019 Vandenbussche ..... D10/70  
 D850,968 S 6/2019 Zhang  
 D851,913 S 6/2019 Yu  
 D853,878 S 7/2019 Wright et al.  
 D854,433 S \* 7/2019 Vandenbussche ..... D10/70  
 D855,813 S \* 8/2019 Hu ..... D24/186  
 D856,341 S 8/2019 Tur  
 D861,766 S 10/2019 Lim et al.  
 D862,462 S \* 10/2019 Zhang ..... D14/344  
 D864,767 S \* 10/2019 Vandenbussche ..... D10/70  
 D869,461 S \* 12/2019 Ke ..... D14/344  
 D869,462 S \* 12/2019 Ke ..... D14/344  
 D872,690 S 1/2020 Williams et al.  
 D877,145 S \* 3/2020 Shin ..... D14/344  
 D884,061 S 5/2020 Arens et al.  
 D884,615 S 5/2020 Ito et al.  
 D885,229 S 5/2020 Kim  
 D885,230 S 5/2020 Kim  
 D891,366 S 7/2020 Xie et al.  
 D891,425 S \* 7/2020 Lin ..... D14/344  
 D893,323 S \* 8/2020 Xiao ..... D10/70  
 D893,420 S 8/2020 Xiao  
 D893,422 S 8/2020 Xiao  
 D897,350 S 9/2020 Wang  
 D898,745 S 10/2020 Ye

D902,933 S 11/2020 Zhang  
 D903,508 S 12/2020 Zhang  
 D904,498 S 12/2020 Lim et al.  
 D911,946 S 3/2021 Turksu et al.  
 D912,562 S 3/2021 Zhou  
 D913,291 S 3/2021 Zhang  
 D918,137 S 5/2021 Painter et al.  
 D918,696 S 5/2021 Painter et al.  
 D920,143 S \* 5/2021 Painter ..... D10/70  
 D920,147 S 5/2021 Liu  
 D920,662 S 6/2021 Youn  
 D922,947 S 6/2021 Wang et al.  
 D923,003 S \* 6/2021 Lin ..... D14/344  
 D924,715 S 7/2021 Wright et al.  
 D924,716 S 7/2021 Wright et al.  
 D925,385 S 7/2021 Lin  
 D925,543 S 7/2021 Ma  
 D931,209 S 9/2021 Hahn et al.  
 D931,286 S 9/2021 Tur  
 D931,287 S 9/2021 Tur  
 D932,321 S 10/2021 Jung  
 D934,869 S 11/2021 Wright et al.  
 D935,397 S 11/2021 Brisebras et al.  
 D935,398 S 11/2021 Wang et al.  
 D941,763 S 1/2022 Pena et al.  
 D942,458 S 2/2022 Tur  
 D945,965 S 3/2022 Wang et al.  
 D947,122 S 3/2022 Dastmalchi et al.  
 D947,179 S \* 3/2022 Yin ..... D14/344  
 2010/0243516 A1 9/2010 Martin et al.  
 2011/0297578 A1 12/2011 Stiehl et al.  
 2012/0043236 A1 2/2012 Szucs et al.  
 2012/0257340 A1 10/2012 Kim  
 2013/0148955 A1 6/2013 Overall  
 2013/0222139 A1 8/2013 Gouge et al.  
 2013/0279142 A1 10/2013 Wang  
 2014/0216953 A1 8/2014 Su et al.  
 2017/0248922 A1 8/2017 Hynecsek  
 2019/0369563 A1 12/2019 Chen et al.  
 2020/0363773 A1 11/2020 Wang et al.

OTHER PUBLICATIONS

U.S. Appl. No. 29/761,523, Notice of Allowance dated Dec. 8, 2021, 36 pages.  
 Amazon.com: Conido Charging Stand for Apple Watch. Date first available of Mar. 17, 2020. Retrieved from the Internet at, Mar. 22, 2022. 1 page. (Year: 2020).  
 U.S. Appl. No. 29/761,519, Office Action dated Mar. 25, 2022, 22 pages.  
 U.S. Appl. No. 29/761,522, Office Action dated Apr. 25, 2022, 23 pages.  
 U.S. Appl. No. 29/761,523, Notice of Allowance dated Mar. 24, 2022, 27 pages.

\* cited by examiner

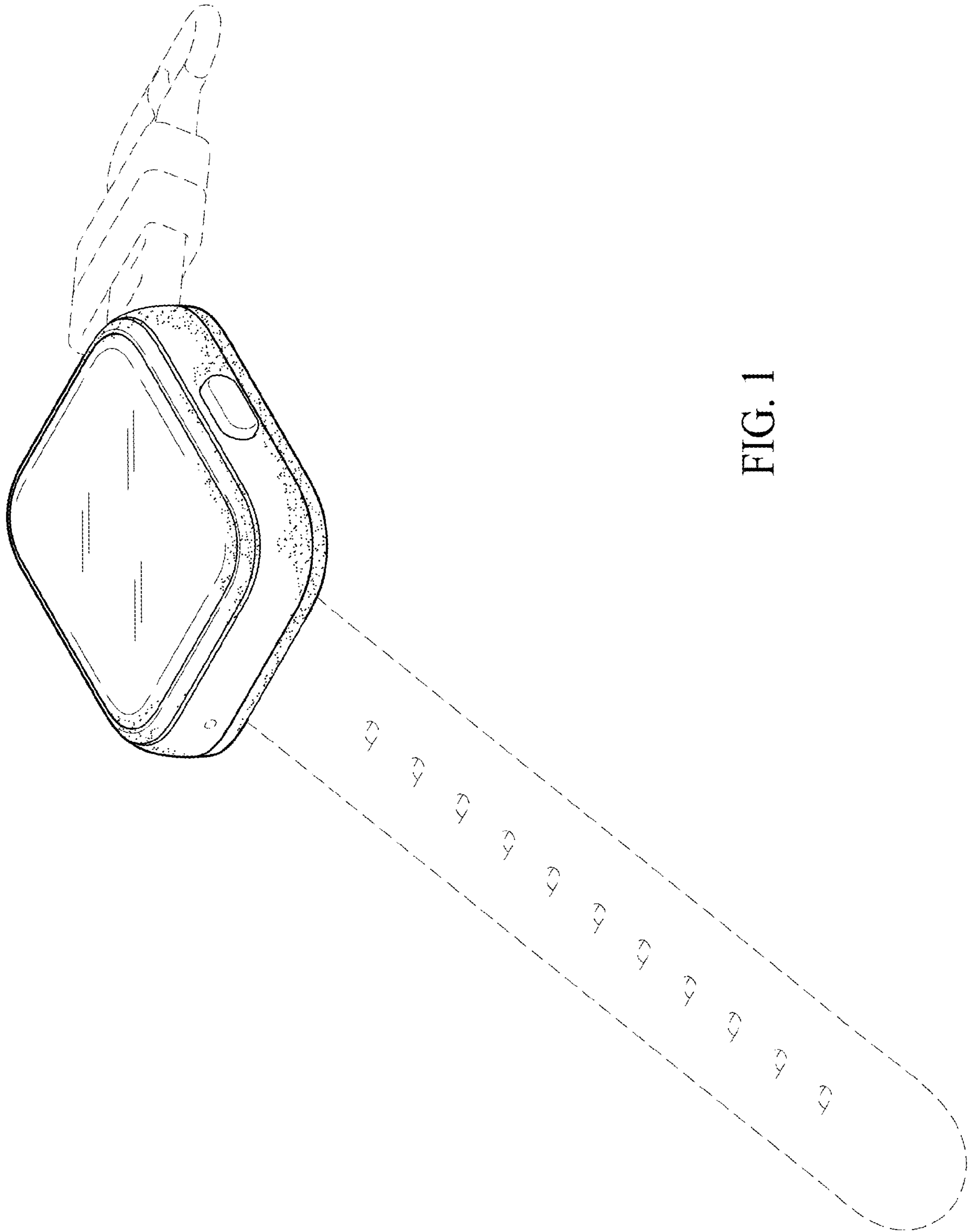


FIG. 1

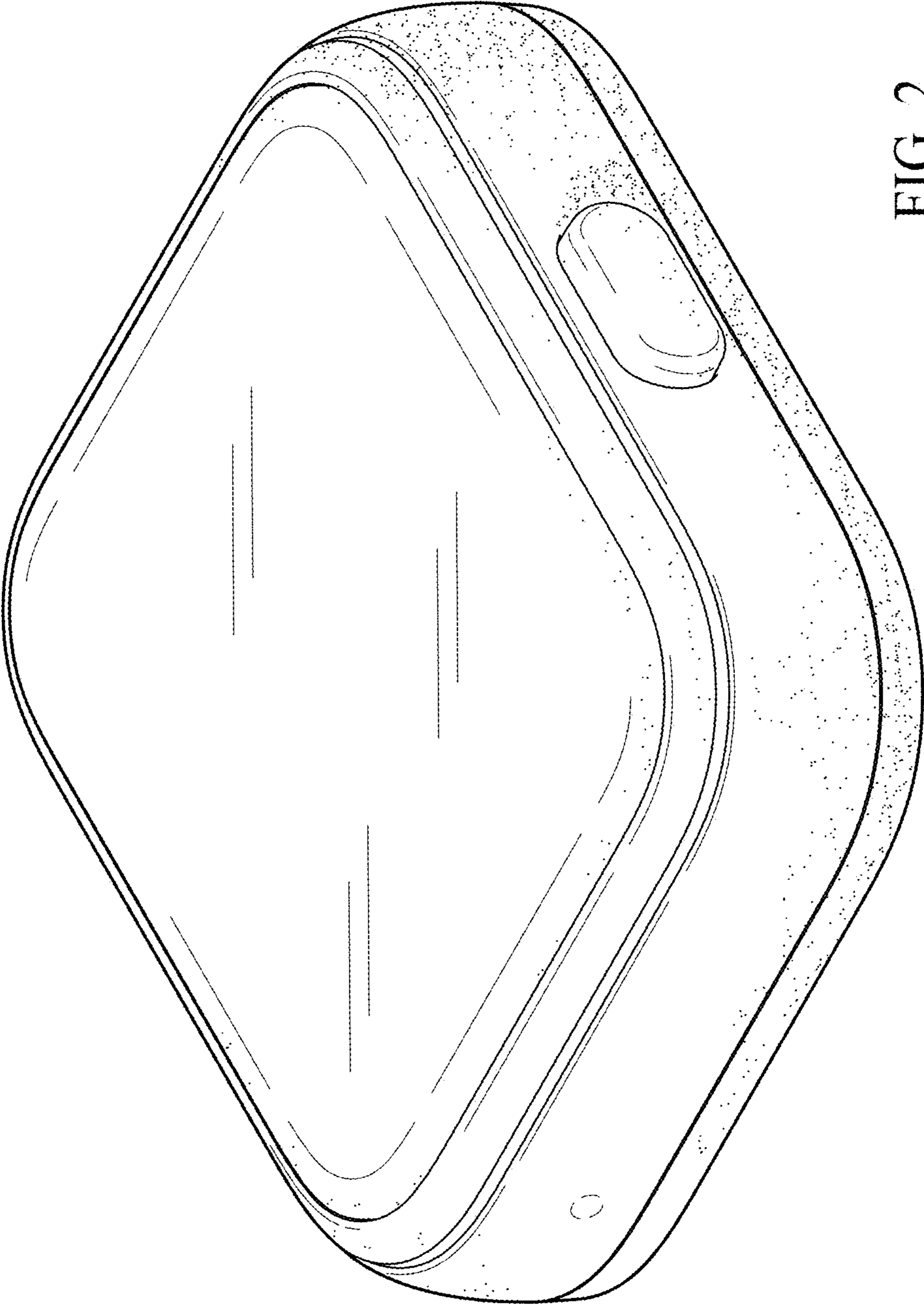


FIG. 2

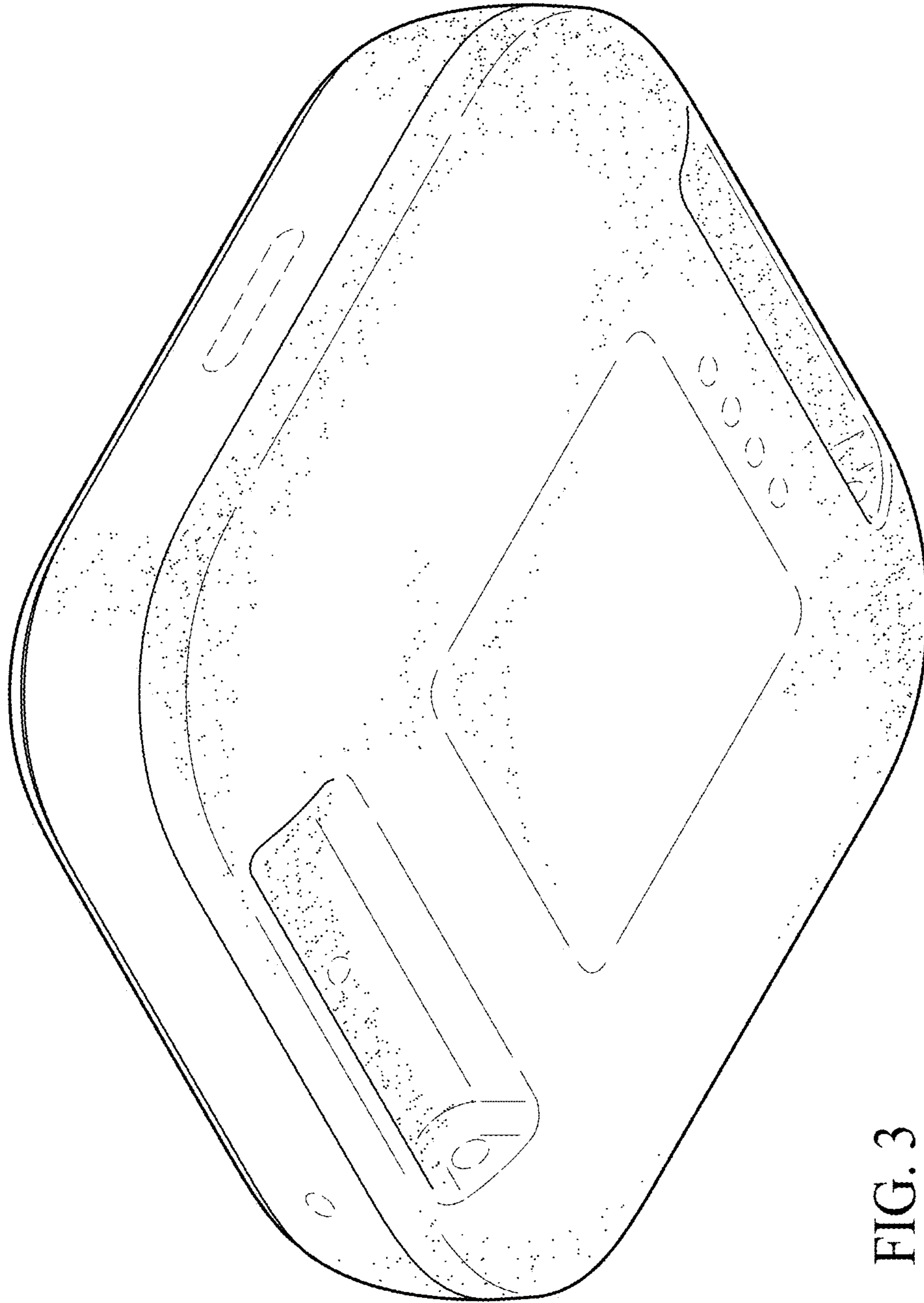


FIG. 3

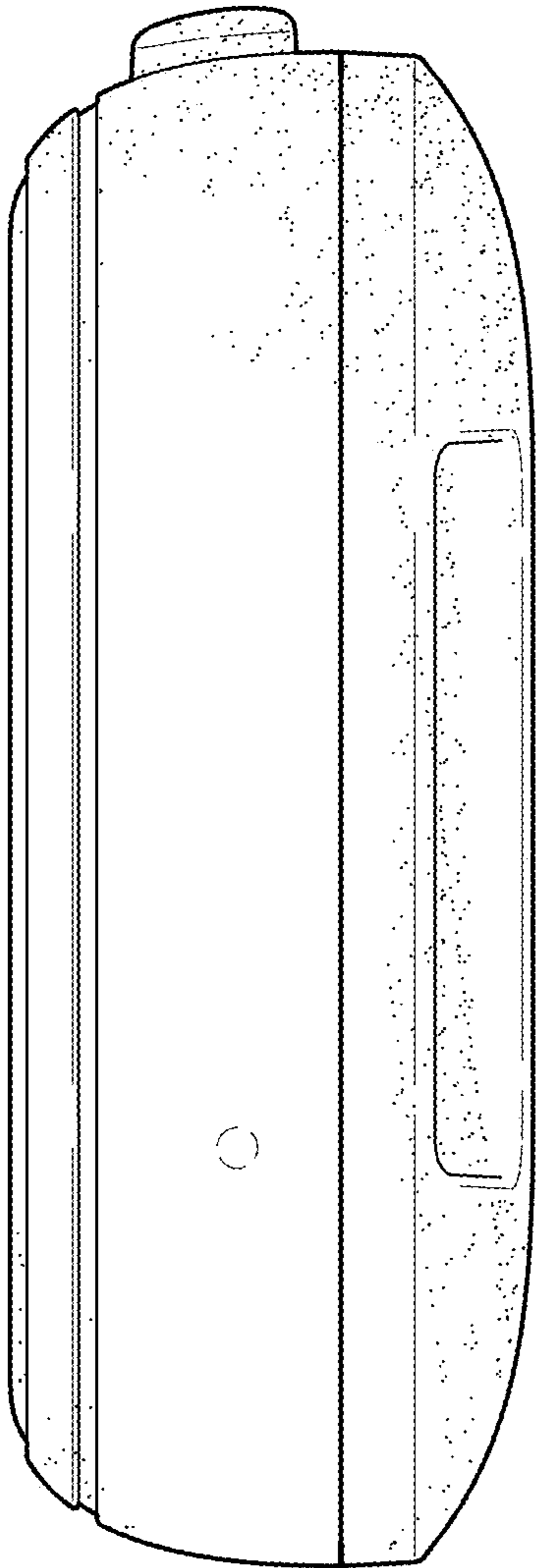


FIG. 4

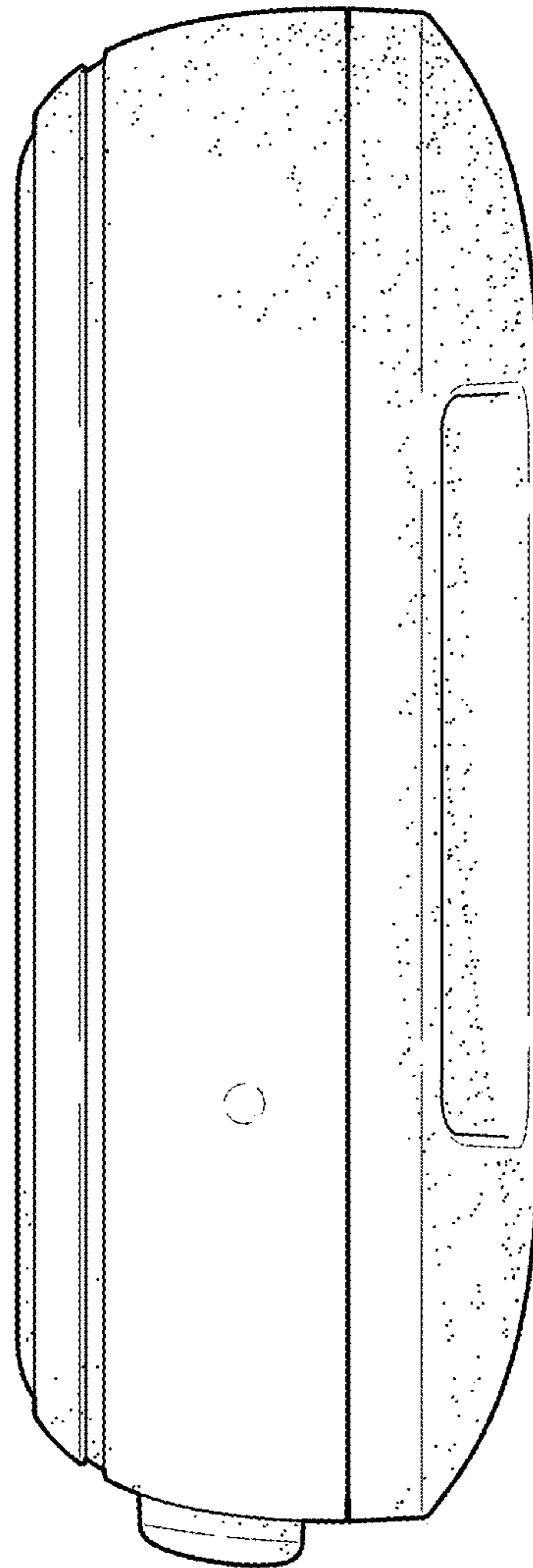


FIG. 5

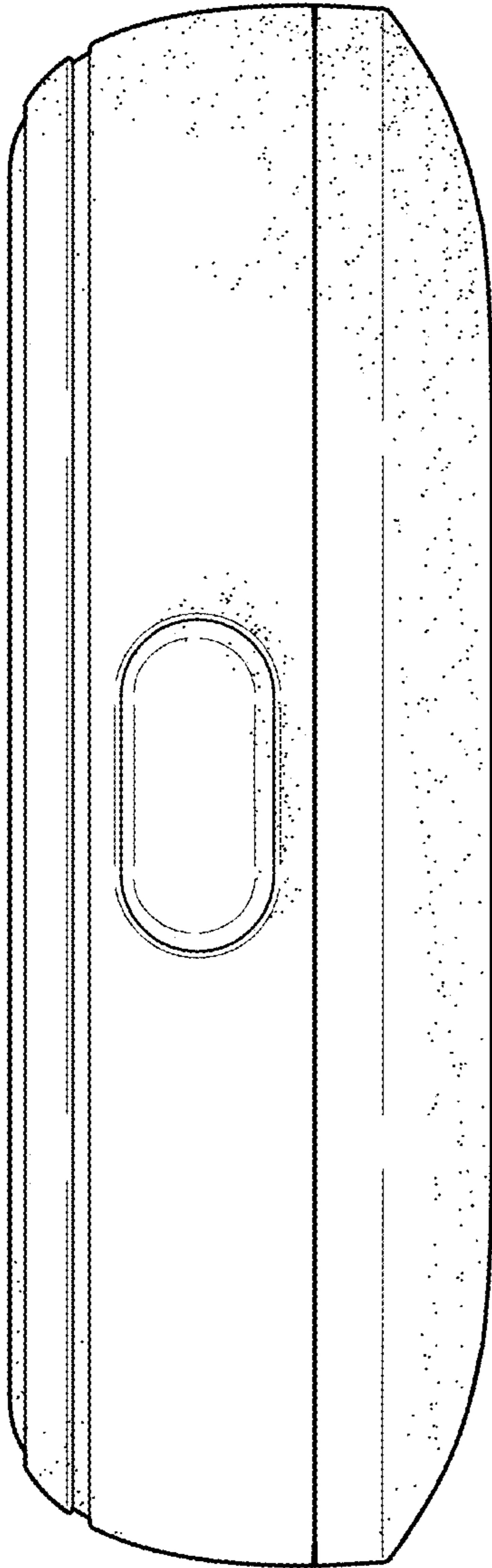


FIG. 6

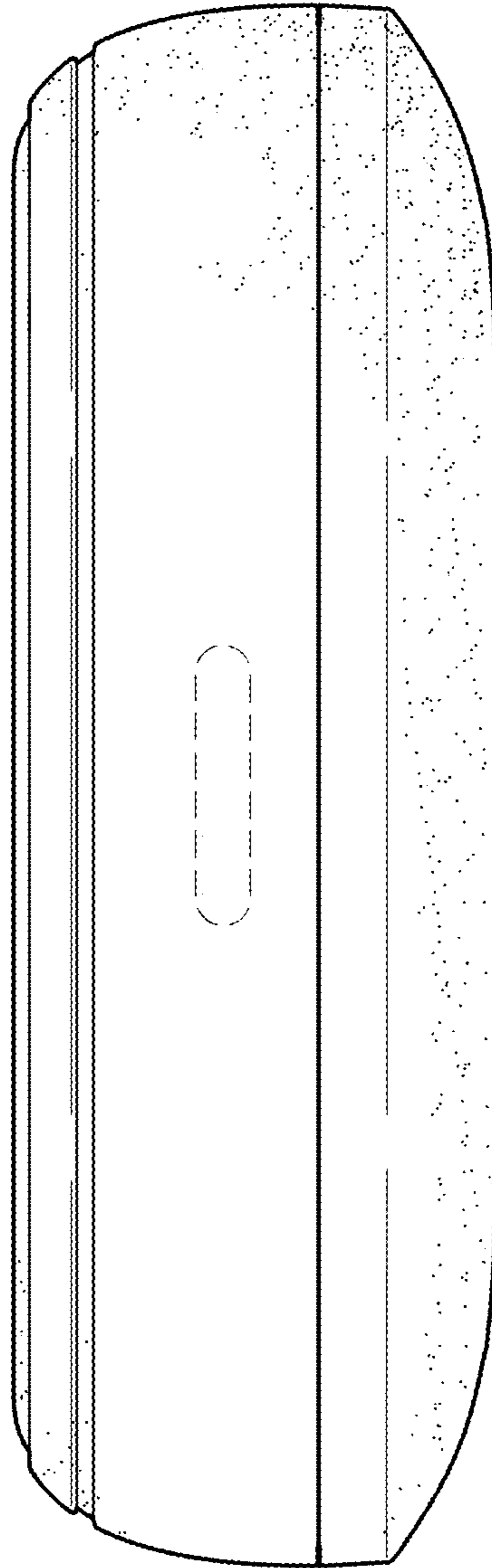


FIG. 7

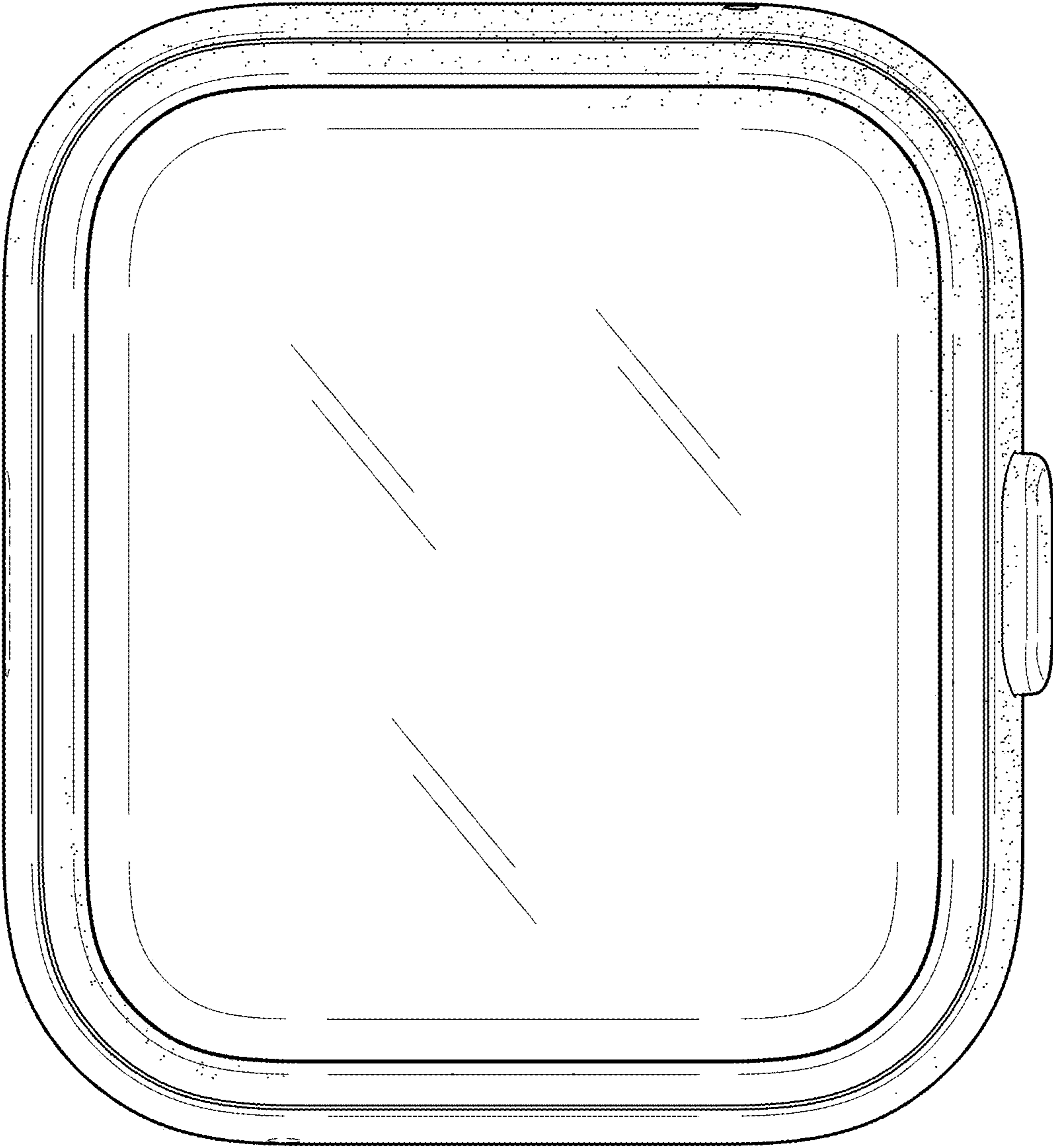


FIG. 8



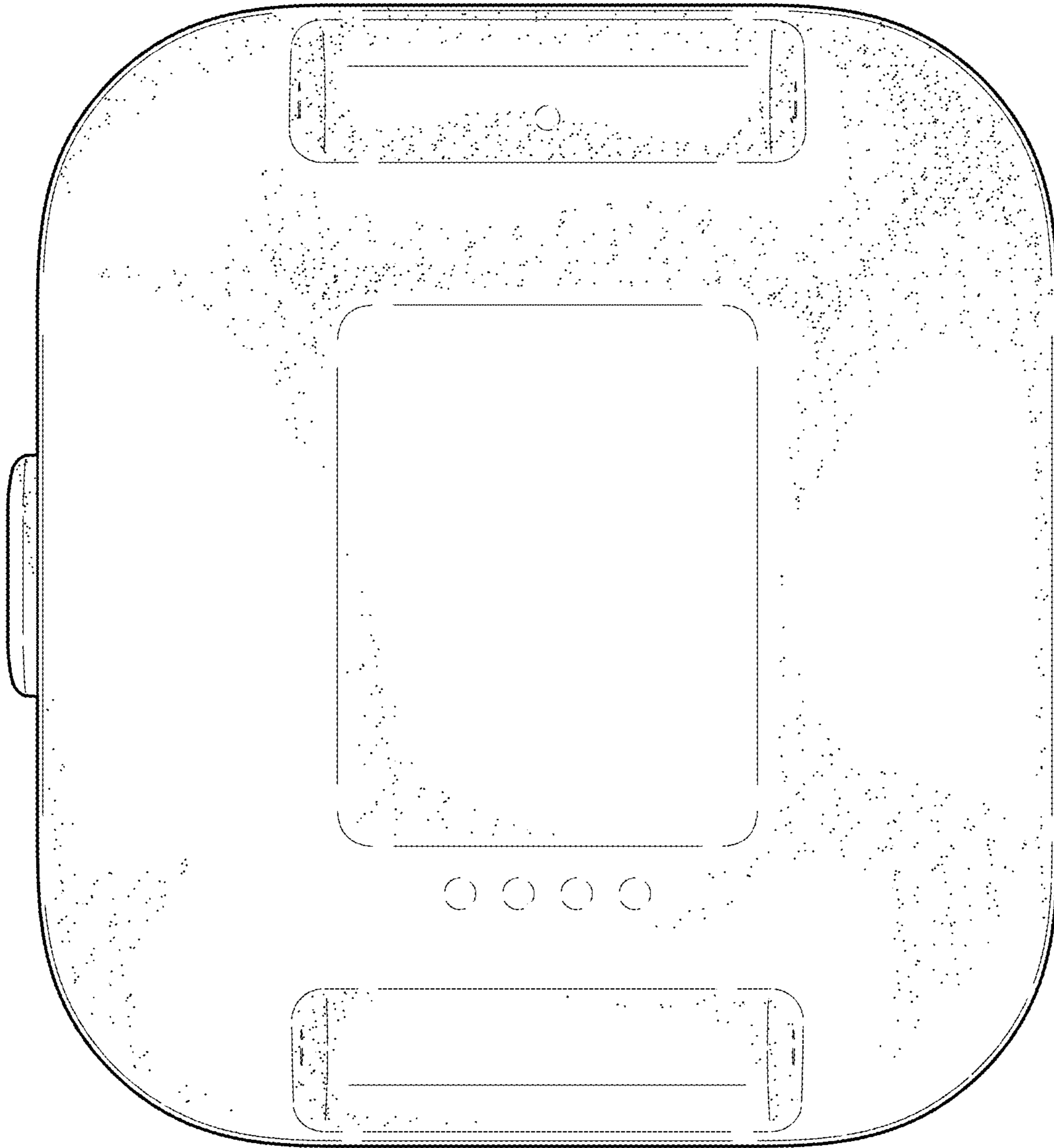


FIG. 9