



US00D961579S

(12) **United States Design Patent** (10) **Patent No.:** **US D961,579 S**  
**Little et al.** (45) **Date of Patent:** **\*\* Aug. 23, 2022**

(54) **COMPUTER WITH PITCHED FRONT BEZEL**

(71) Applicant: **Hewlett-Packard Development Company, L.P.**, Spring, TX (US)

(72) Inventors: **Joshua Glenn Little**, Mountain View, CA (US); **Jonathan Gomez Garcia**, San Francisco, CA (US)

(73) Assignee: **Hewlett-Packard Development Company, L.P.**, Spring, TX (US)

(\*\*) Term: **15 Years**

(21) Appl. No.: **29/706,566**

(22) Filed: **Sep. 20, 2019**

(51) **LOC (13) Cl.** ..... **14-02**

(52) **U.S. Cl.**  
USPC ..... **D14/308**

(58) **Field of Classification Search**  
USPC ..... D14/140.1, 140.2, 240, 242, 301–302, D14/308, 348–349, 351–359, 440–441, D14/444–446, 140.3, 219, 311–312, D14/353–355, 441–442, 450; D9/424, D9/430, 432–433; 206/706–709, 206/722–725; D13/103, 110–112, 122, D13/158–160, 184; D23/364–365, 270, D23/193, 209, 224, 257, 327, 365–366, D23/388, 392, 449–450; 361/679.01, 361/679.02, 679.21  
CPC .. G06F 1/18; G06F 1/181; G06F 1/20; H05K 5/00; H05K 5/03; H05K 5/04; H05K 5/0213  
See application file for complete search history.

(56) **References Cited**

**U.S. PATENT DOCUMENTS**

D254,786 S \* 4/1980 Ballantyne ..... D14/214  
D273,583 S \* 4/1984 Hattori ..... D14/219  
4,458,936 A \* 7/1984 Mulholland ..... B62D 35/001  
296/180.4

(Continued)

**FOREIGN PATENT DOCUMENTS**

CN 305510000 \* 12/2019  
CN 305661523 \* 3/2020

(Continued)

**OTHER PUBLICATIONS**

Pavilion Gaming Desktop TG01-1160xt, HP, store.hp.com, author and date not listed © 2020 HP Development Company, L.P., online, site visited Sep. 8, 2020. Available at URL: <https://store.hp.com/us/en/pdp/hp-pavilion-gaming-desktop-tg01-1160xt-8mp64av-1> (Year: 2020).\*

(Continued)

*Primary Examiner* — Sandra Snapp

*Assistant Examiner* — Altaira J Swangin

(74) *Attorney, Agent, or Firm* — Austin Rapp

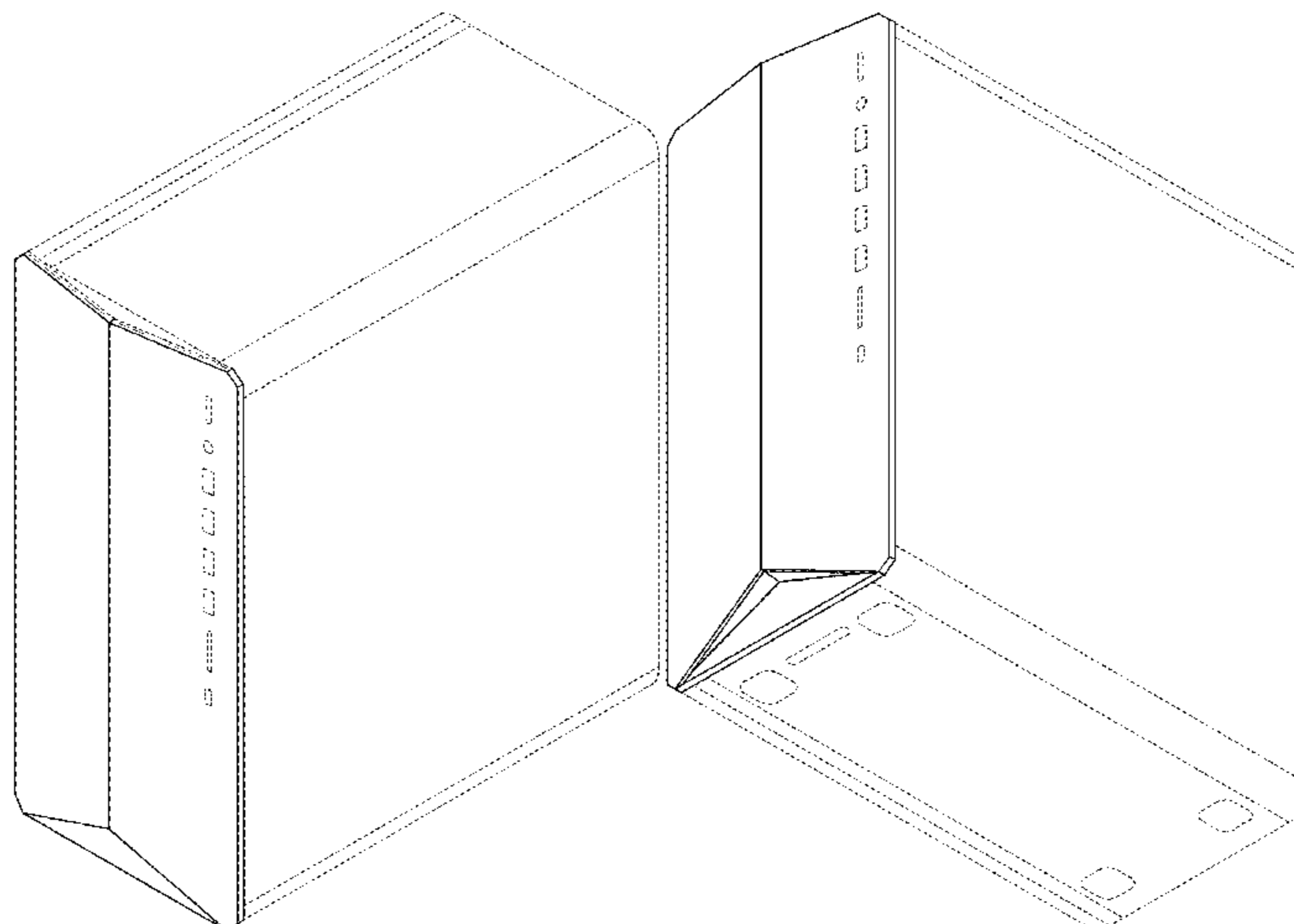
(57) **CLAIM**

The ornamental design for a computer with pitched front bezel, as shown and described.

**DESCRIPTION**

FIG. 1 is a front, right, top perspective view of the claimed design;  
FIG. 2 is a front, left, top perspective view thereof;  
FIG. 3 is a front, right, bottom perspective view thereof;  
FIG. 4 is a front elevational view thereof;  
FIG. 5 is a rear elevational view thereof;  
FIG. 6 is a top plan view thereof;  
FIG. 7 is a bottom plan view thereof;  
FIG. 8 is a left-side elevational view thereof; and,  
FIG. 9 is a right-side elevational view thereof.  
The broken lines, shown in the drawings, represent portions of the computer with pitched front bezel and form no part of the claimed design.

**1 Claim, 7 Drawing Sheets**



(56)

References Cited

U.S. PATENT DOCUMENTS

D344,932 S \* 3/1994 Berkowitz ..... D14/351  
 D366,106 S \* 1/1996 Yamamoto ..... D23/365  
 D383,976 S \* 9/1997 Allinsmith ..... D9/430  
 D409,739 S \* 5/1999 Hood ..... D23/365  
 D411,182 S \* 6/1999 McIntosh ..... D14/312  
 D412,495 S \* 8/1999 Shibata ..... D14/356  
 D436,945 S \* 1/2001 Tanaka ..... D14/214  
 D469,088 S \* 1/2003 Kline ..... D14/351  
 D469,759 S \* 2/2003 Friend ..... D14/308  
 D540,788 S \* 4/2007 McIntosh ..... D14/301  
 D683,212 S \* 5/2013 Kolton ..... D9/430  
 D694,247 S \* 11/2013 Besterman ..... D14/444  
 D697,906 S \* 1/2014 Morooka ..... D14/308  
 D749,560 S \* 2/2016 Hallar ..... D14/301  
 D787,512 S \* 5/2017 Chana ..... D14/349  
 D790,539 S \* 6/2017 Lee ..... D14/358  
 D791,774 S \* 7/2017 Wilcox ..... D14/444  
 D821,325 S \* 6/2018 Duran ..... D13/124  
 D824,333 S \* 7/2018 Wilcox ..... D13/133  
 D851,052 S \* 6/2019 Wilcox ..... D13/184  
 D877,140 S \* 3/2020 Little ..... D14/314  
 D878,361 S \* 3/2020 Little ..... D14/314  
 D910,027 S \* 2/2021 Kawano ..... D14/444  
 D912,656 S \* 3/2021 Hwang ..... D14/314  
 D913,784 S \* 3/2021 O'Donnell ..... D9/432  
 D939,497 S \* 12/2021 Huang ..... D14/314

2002/0179700 A1\* 12/2002 Waldburger ..... B65D 5/064  
 229/137  
 2005/0126050 A1\* 6/2005 Simone ..... E04D 15/02  
 37/265  
 2020/0047941 A1\* 2/2020 Erwin ..... B65D 5/029

FOREIGN PATENT DOCUMENTS

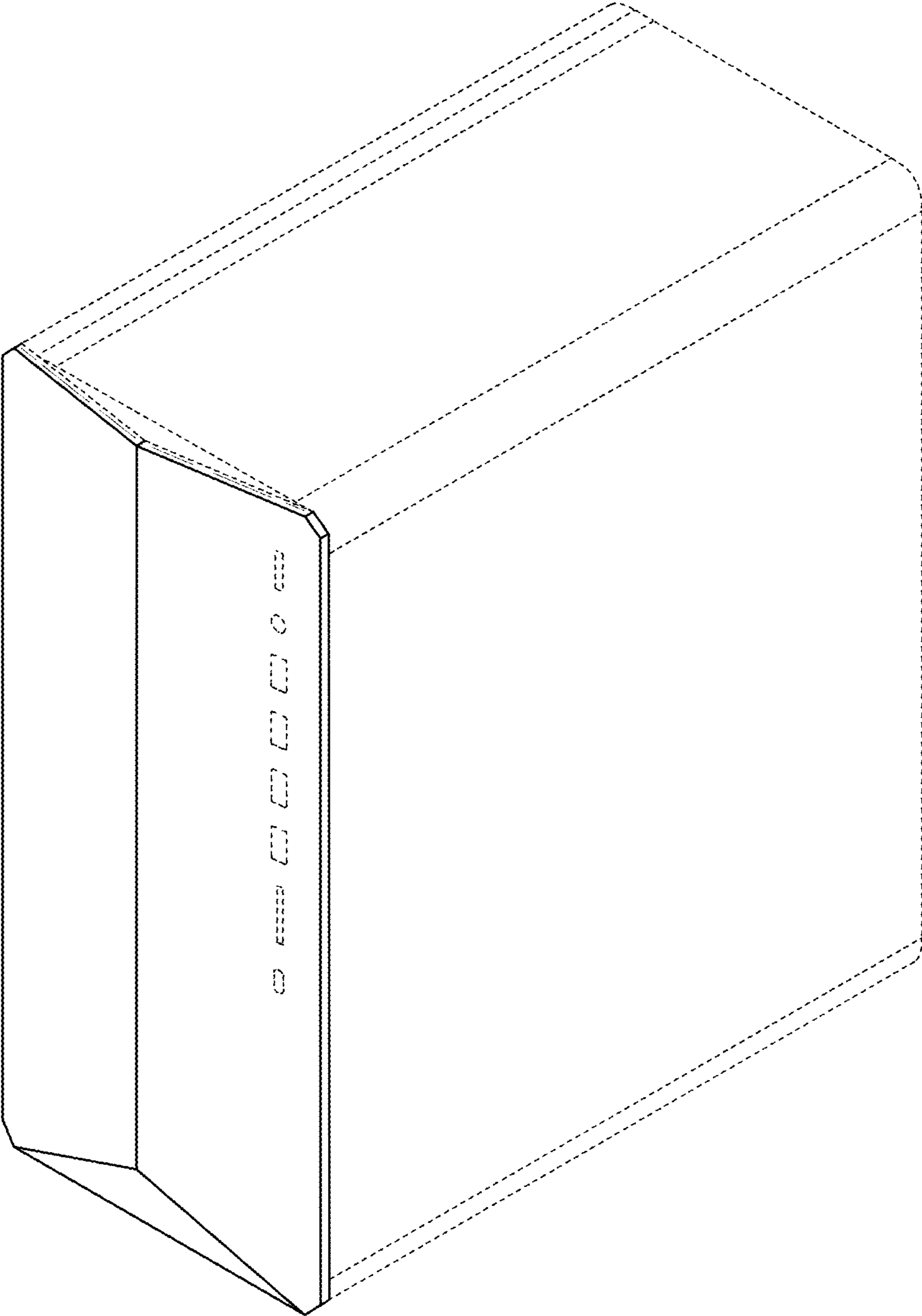
CN 305661529 \* 3/2020  
 CN 305920791 \* 7/2020  
 CN 305981308 \* 8/2020  
 EP 007686357-0001 \* 2/2020  
 EP 007686357-0002 \* 2/2020  
 KR 301028309.0000 \* 10/2019

OTHER PUBLICATIONS

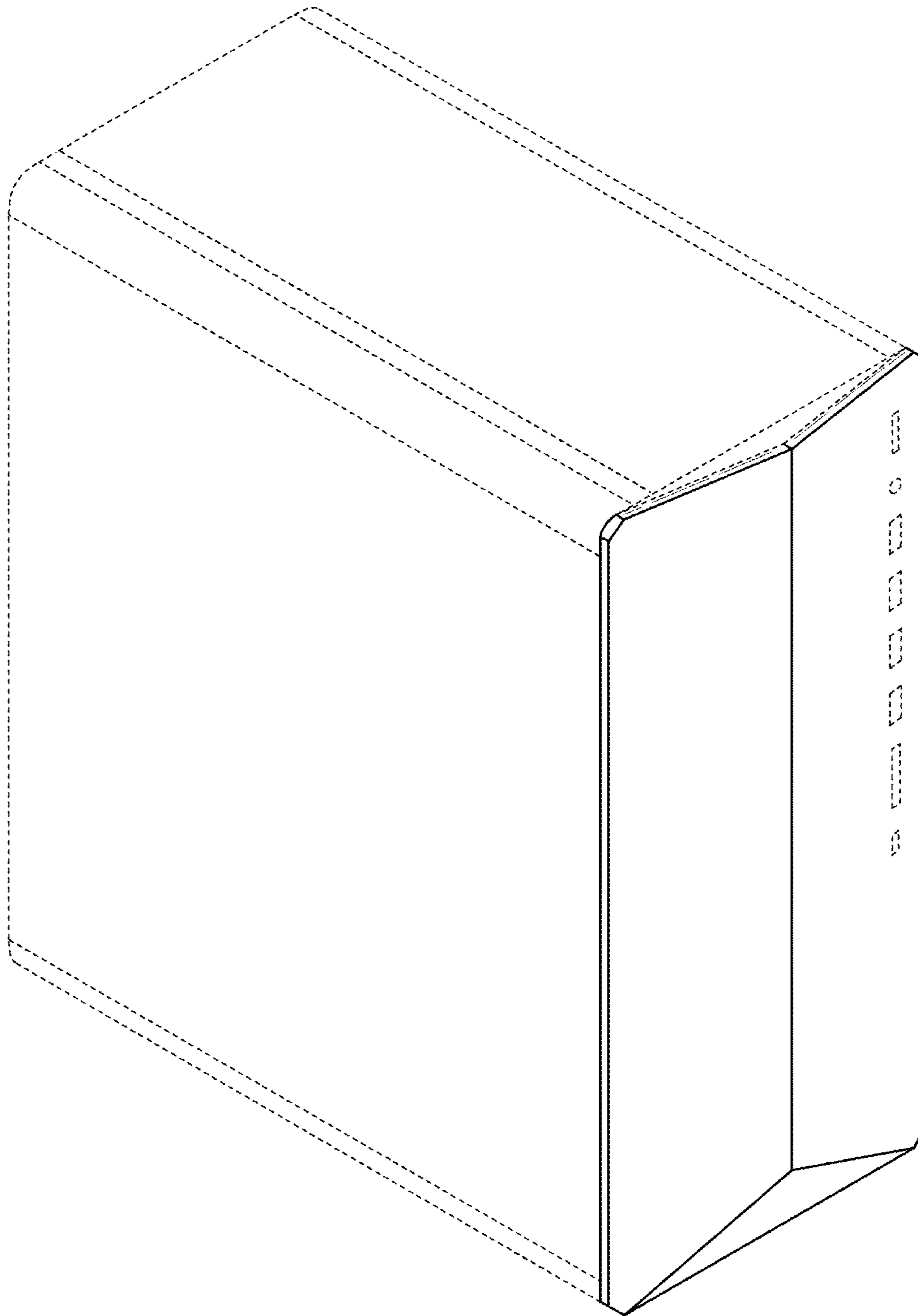
Omen Obelisk Gaming Desktop, HP, amazon.com, published by HP Store on Aug. 18, 2019 © 1996-2020 Amazon.com, Inc., online, site visited Sep. 8, 2020. Available at URL: <https://www.amazon.com/HP-Computer-Generation-i9-9900K-Processor/dp/B07WQ68VR8> (Year: 2019).\*

DarkBlader-G Gaming Case, Cougar, amazon.com, published by Cougar on Nov. 27, 2019© 1996-2020 Amazon.com, Inc., online, site visited Sep. 8, 2020. Available at URL: [https://www.amazon.com/Cougar-DarkBlader-G-Tower-Gaming-Model/dp/B07Z9K4TDJ/ref=pd\\_sbs\\_147\\_1/260-9083233-3105169?\\_encoding=UTF8&pd...](https://www.amazon.com/Cougar-DarkBlader-G-Tower-Gaming-Model/dp/B07Z9K4TDJ/ref=pd_sbs_147_1/260-9083233-3105169?_encoding=UTF8&pd...) (Year: 2019).\*

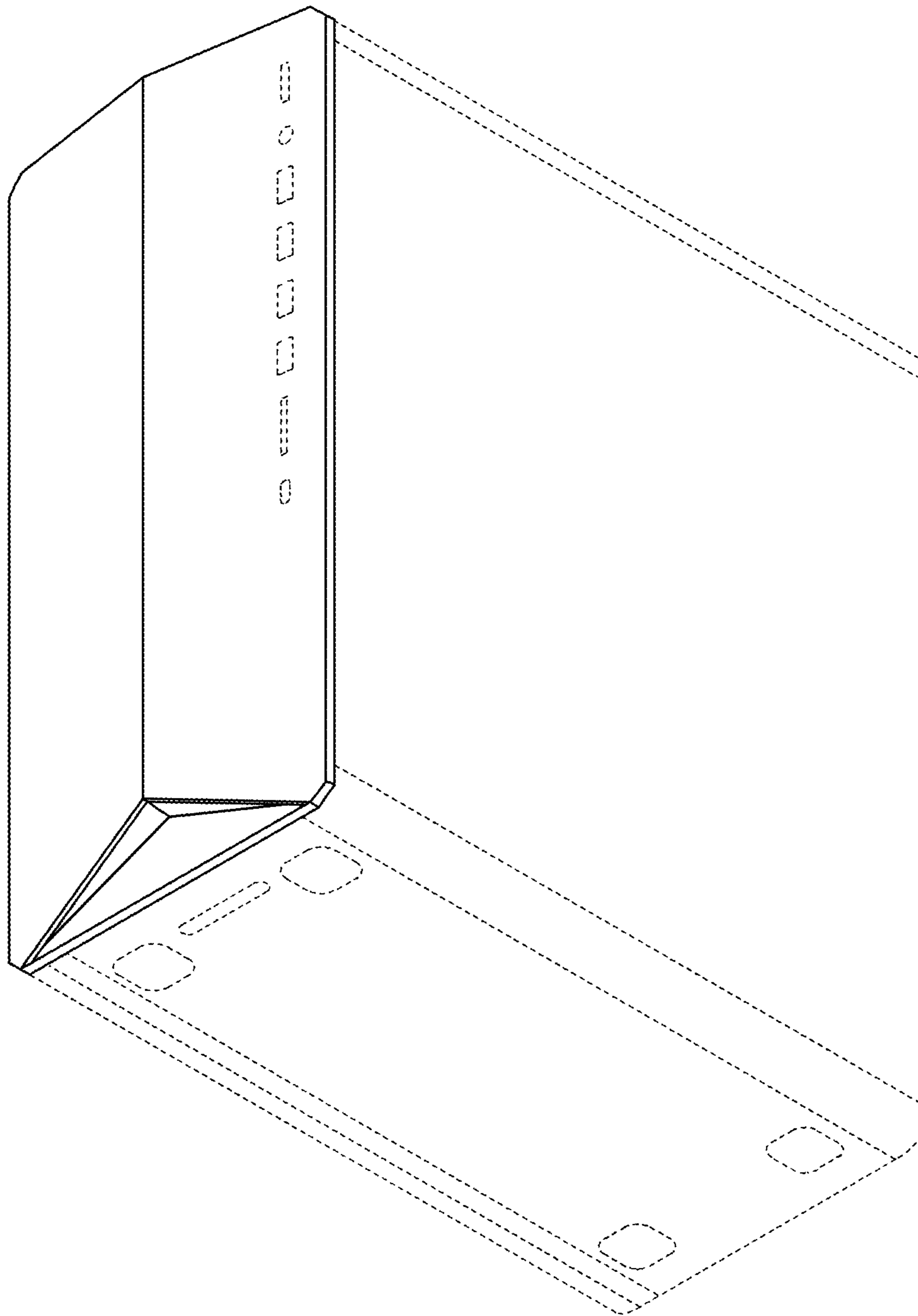
\* cited by examiner



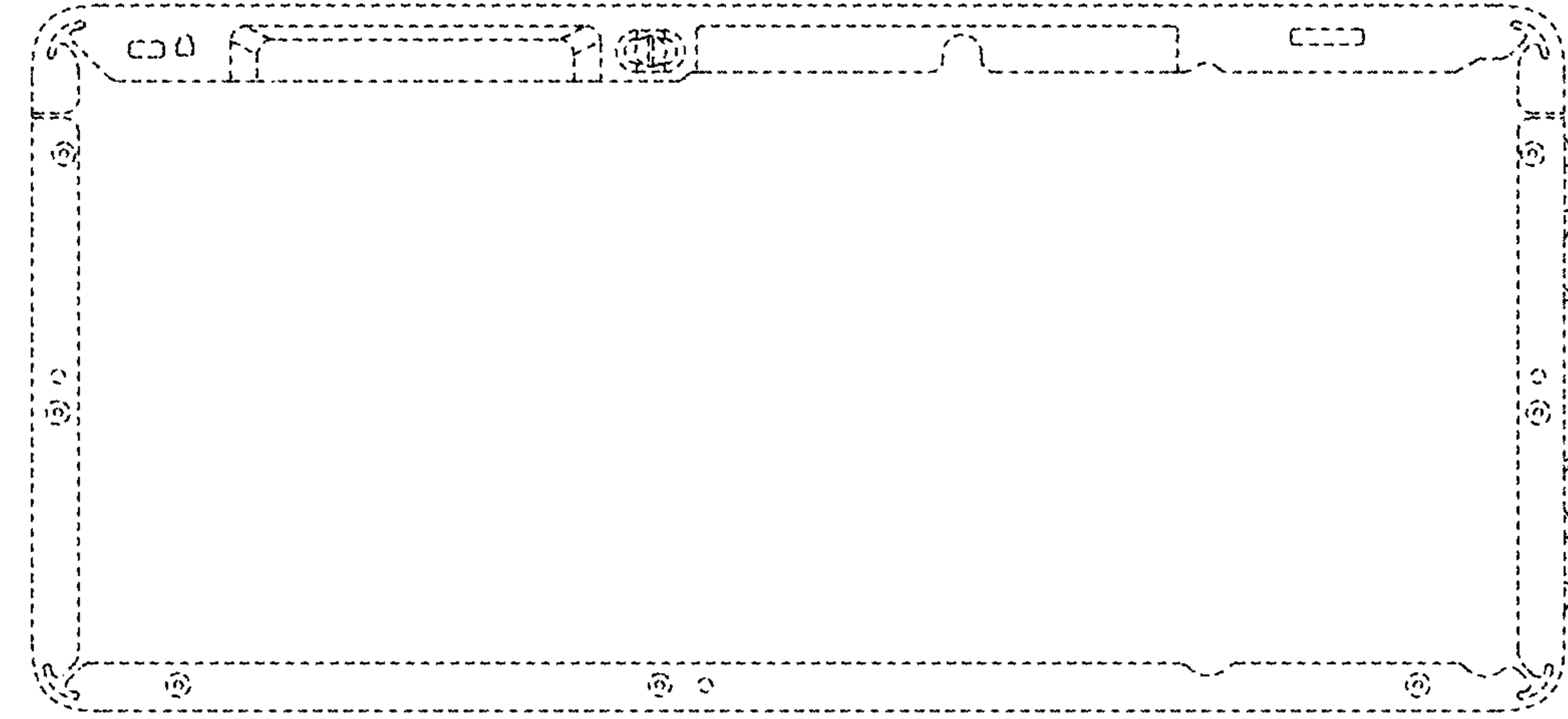
**FIG. 1**



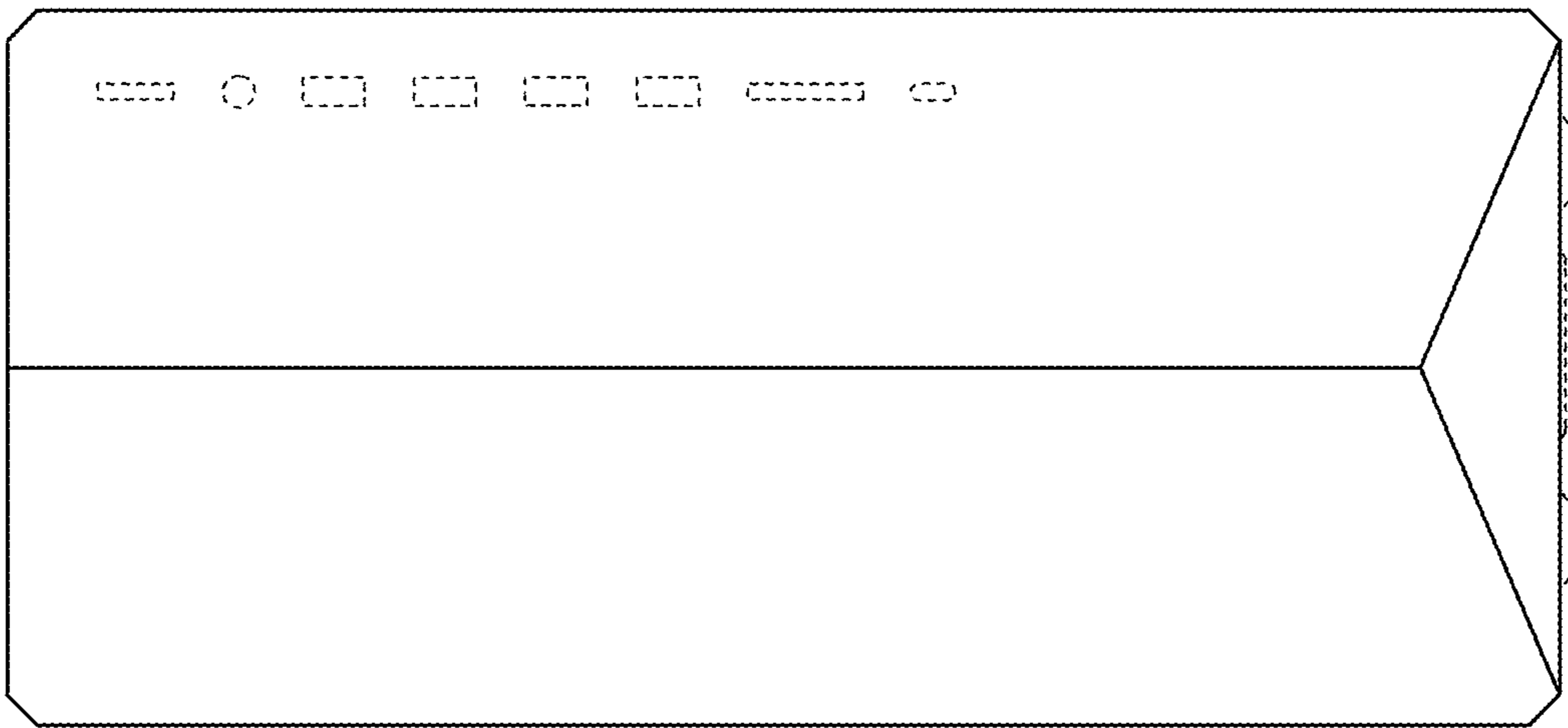
**FIG. 2**



**FIG. 3**



**FIG. 5**



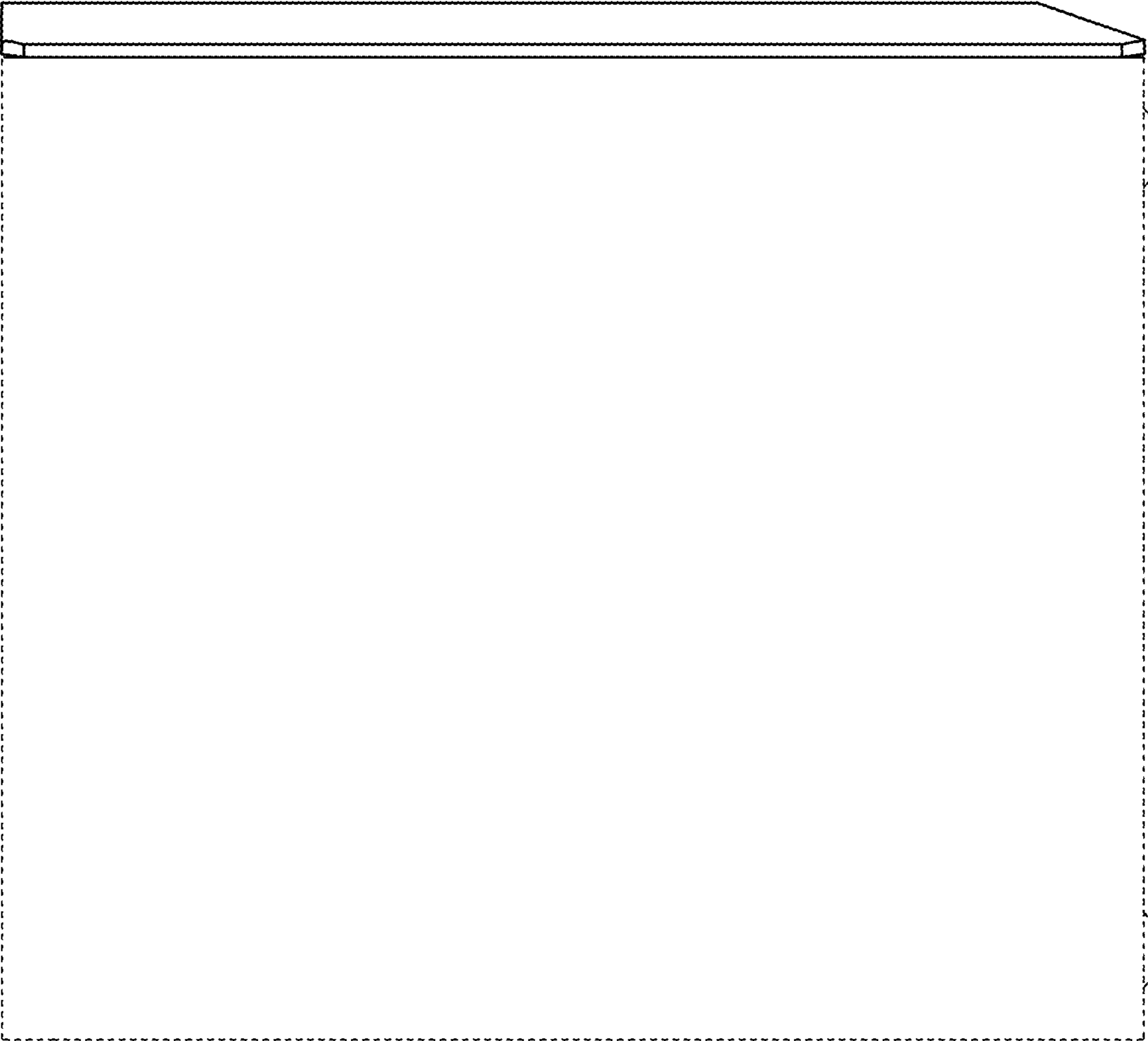
**FIG. 4**



**FIG. 6**

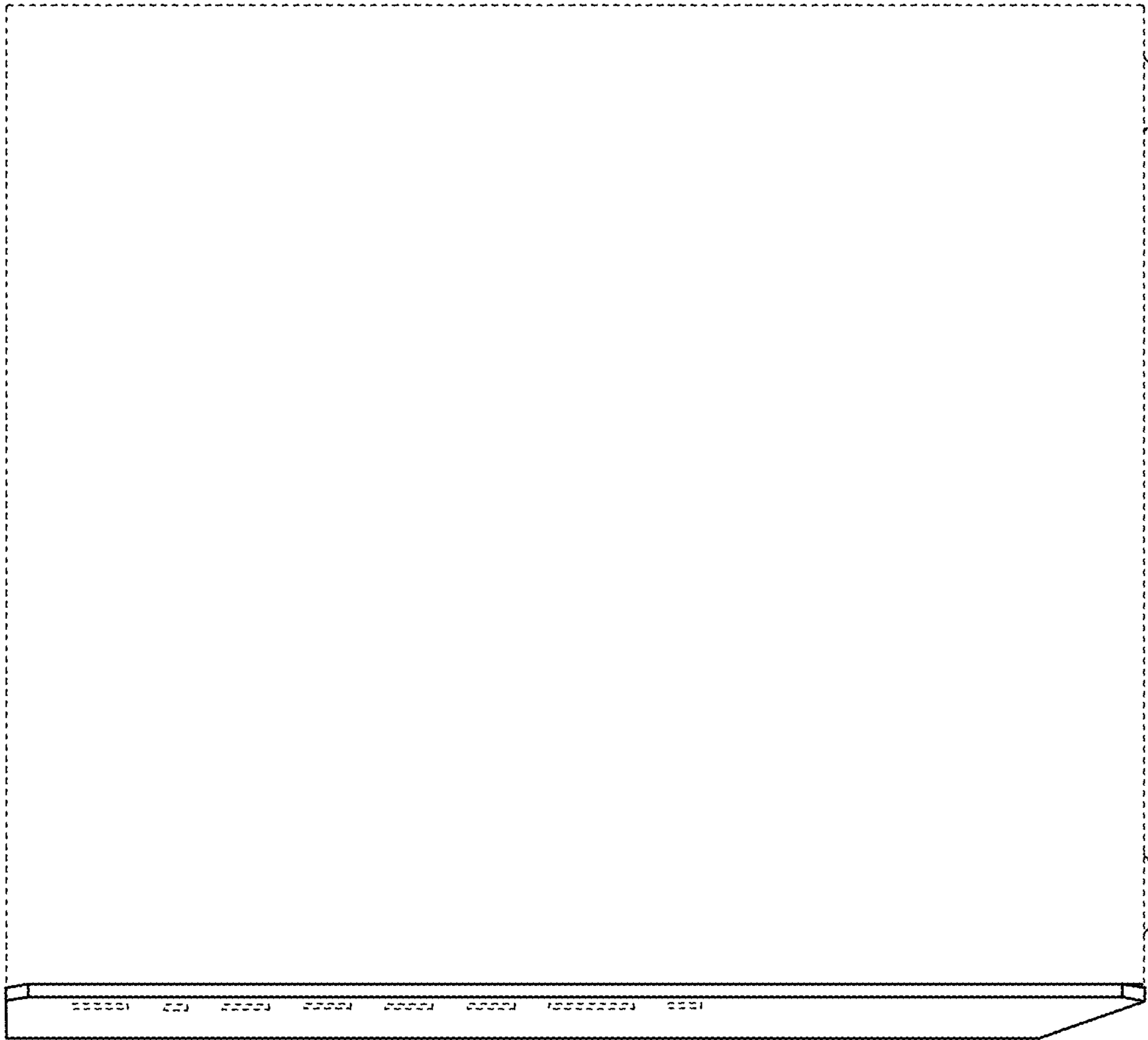


**FIG. 7**



**FIG. 8**





**FIG. 9**