



US00D961578S

(12) **United States Design Patent**
Khoeun

(10) **Patent No.:** **US D961,578 S**

(45) **Date of Patent:** **** Aug. 23, 2022**

(54) **AUTO STEREO MOUNTING DEVICE**

D902,196 S * 11/2020 Fiore, IV D14/258
D904,391 S * 12/2020 Mudliyar D14/258
D905,043 S * 12/2020 Khoehn D14/258

(Continued)

(71) Applicant: **Metra Electronics Corporation**, Holly Hill, FL (US)

FOREIGN PATENT DOCUMENTS

(72) Inventor: **Pieckdey Khoehn**, Holly Hill, FL (US)

CN 305698427 * 4/2020
CN 305789930 * 5/2020

(Continued)

(73) Assignee: **Metra Electronics Corporation**, Holly Hill, FL (US)

(**) Term: **15 Years**

OTHER PUBLICATIONS

(21) Appl. No.: **29/726,864**

Metra 95-7618G, date first available: Dec. 7, 2013, [retrieved Dec. 28, 2021], Retrieved from Internet, URL: <https://www.amazon.com/Metra-95-7618G-Double-Installation-2013-Up/dp/B00EIEYSBQ/ref=sr_1_25_mod_primary_new?keywords=Metra+Electronic%E2%80%A6> (Year: 2013).*

(Continued)

(22) Filed: **Mar. 6, 2020**

(51) **LOC (13) Cl.** **14-01**

(52) **U.S. Cl.**
USPC **D14/258**

(58) **Field of Classification Search**

USPC D12/190, 192, 195; D14/155–159,
D14/160–173, 187–188, 189–198,
D14/203.1–203.8, 204–216, 217–222,
D14/225–229, 257–258, 496, 498–506
CPC H04R 1/02; H04R 1/021; H04R 1/025;
H04R 1/026; H04R 1/028; H04R 1/06;
H04R 1/105; H04R 1/323; H04R 1/403;
H04R 1/2803; H04R 1/2834; B60R
11/02; B60K 37/04; B60K 37/06

See application file for complete search history.

Primary Examiner — Messina L Smith

Assistant Examiner — Aram Kwon

(74) *Attorney, Agent, or Firm* — J. Wiley Horton

(57)

CLAIM

The ornamental design for an auto stereo mounting device, as shown and described.

DESCRIPTION

FIG. 1 is a perspective view of an auto stereo mounting device, showing my design;

FIG. 2 is a front elevation view of FIG. 1;

FIG. 3 is a rear elevation view of FIG. 1;

FIG. 4 is a left side elevation view of FIG. 1;

FIG. 5 is a right side elevation view of FIG. 1;

FIG. 6 is a top plan view of FIG. 1;

FIG. 7 is a bottom plan view of FIG. 1; and,

FIG. 8 is a lower front perspective view of FIG. 1.

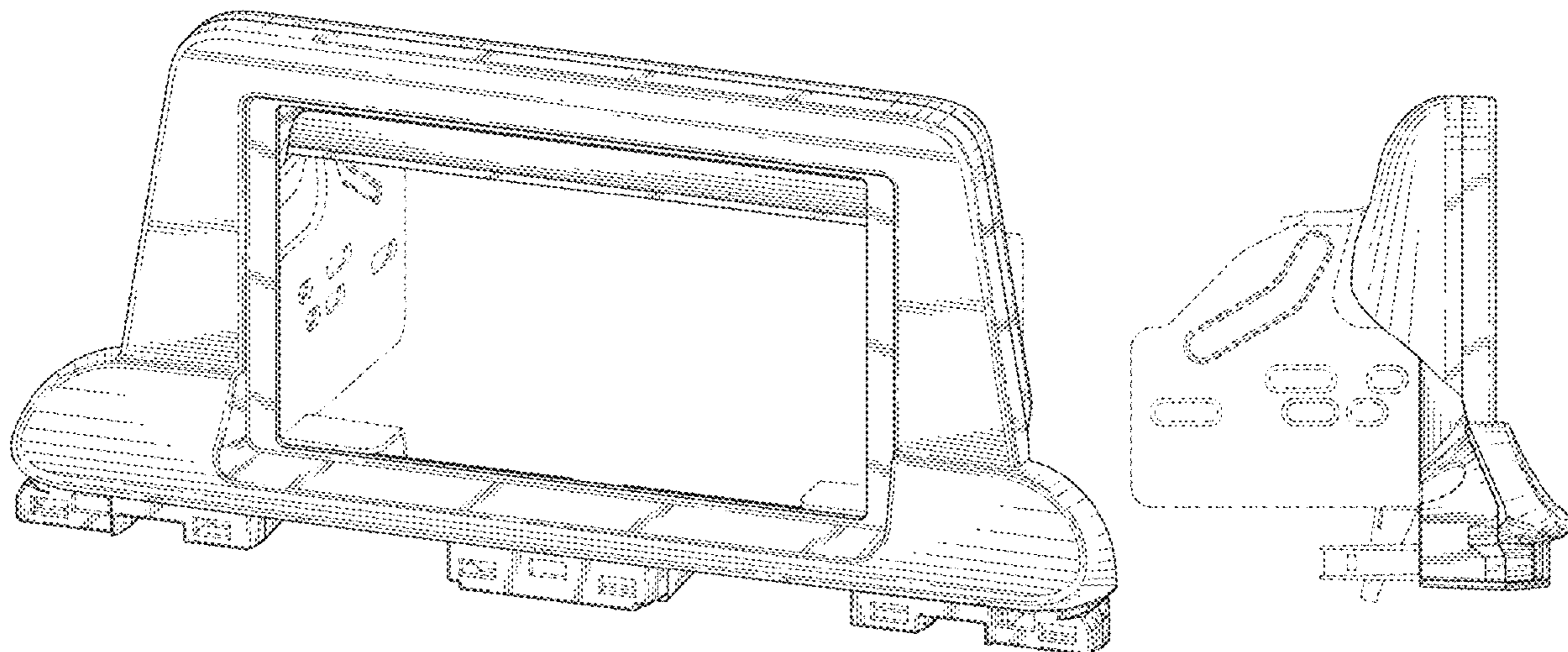
The broken lines shown in all views illustrate portions of the auto stereo mounting device that form no part of the claimed design.

(56) **References Cited**

U.S. PATENT DOCUMENTS

D565,538 S * 4/2008 Bhavnani D14/168
D714,776 S * 10/2014 Kirzinger D14/258
D754,119 S * 4/2016 Kirzinger D14/258
D754,120 S * 4/2016 Kirzinger D14/258
D837,782 S * 1/2019 Fiore, IV D14/258
D878,358 S * 3/2020 Quilling, II D14/258
D879,770 S * 3/2020 Fiore, IV D14/258
D888,704 S * 6/2020 Khoehn D14/258
D894,172 S * 8/2020 Quilling, II D14/258
D894,175 S * 8/2020 Fiore, IV D14/258

1 Claim, 7 Drawing Sheets



(56)

References Cited

U.S. PATENT DOCUMENTS

D905,045 S * 12/2020 Fiore, IV D14/258
 D911,326 S * 2/2021 Fiore, IV D14/258
 D911,327 S * 2/2021 Fiore, IV D14/258
 D912,038 S * 3/2021 Fiore, IV D14/258
 2017/0343150 A1 * 11/2017 Jiang B64D 11/00152
 2021/0041696 A1 * 2/2021 Degiulio B60K 37/04

FOREIGN PATENT DOCUMENTS

CN 306031689 * 9/2020
 GB 6078114 * 12/2019

OTHER PUBLICATIONS

Metra Electronics 99-3314G, date first available: Dec. 16, 2014, [retrieved Dec. 28, 2021], Retrieved from Internet, URL: <https://www.amazon.com/Metra-99-3314G-Double-Select-Vehicles/dp/B00R20GESS/ref=sr_1_52?keywords=Metra+Electronics&qid=1640736344&sr%2%80%A6> (Year: 2014).*

Metra Electronics 107-GM3B Radio Installation Kit, date not available, [retrieved Dec. 28, 2021], Retrieved from Internet, URL: <<https://bbgearstop.com/metra-electronics-107-gm3b-radio-installation-kit>> (Year: 2021).*

Metra Electronics Radio Mounting Kit993314G, date not available, [retrieved Dec. 28, 2021], Retrieved from Internet, URL: <<https://highskyautomotive.com/lighting-and-electronics/audio-and-equipment/radio-mounting-bracket/metra-electronics-radio-mounting-kit-993314g-99-3314g>> (Year: 2021).*

Metra Electronics Radio Mounting Kit 99-7526B, date not available, [retrieved Dec. 28, 2021], Retrieved from Internet, URL: <<https://ultraautoparts.com/product/metra-electronics-99-7526b/>> (Year: 2021).*

* cited by examiner

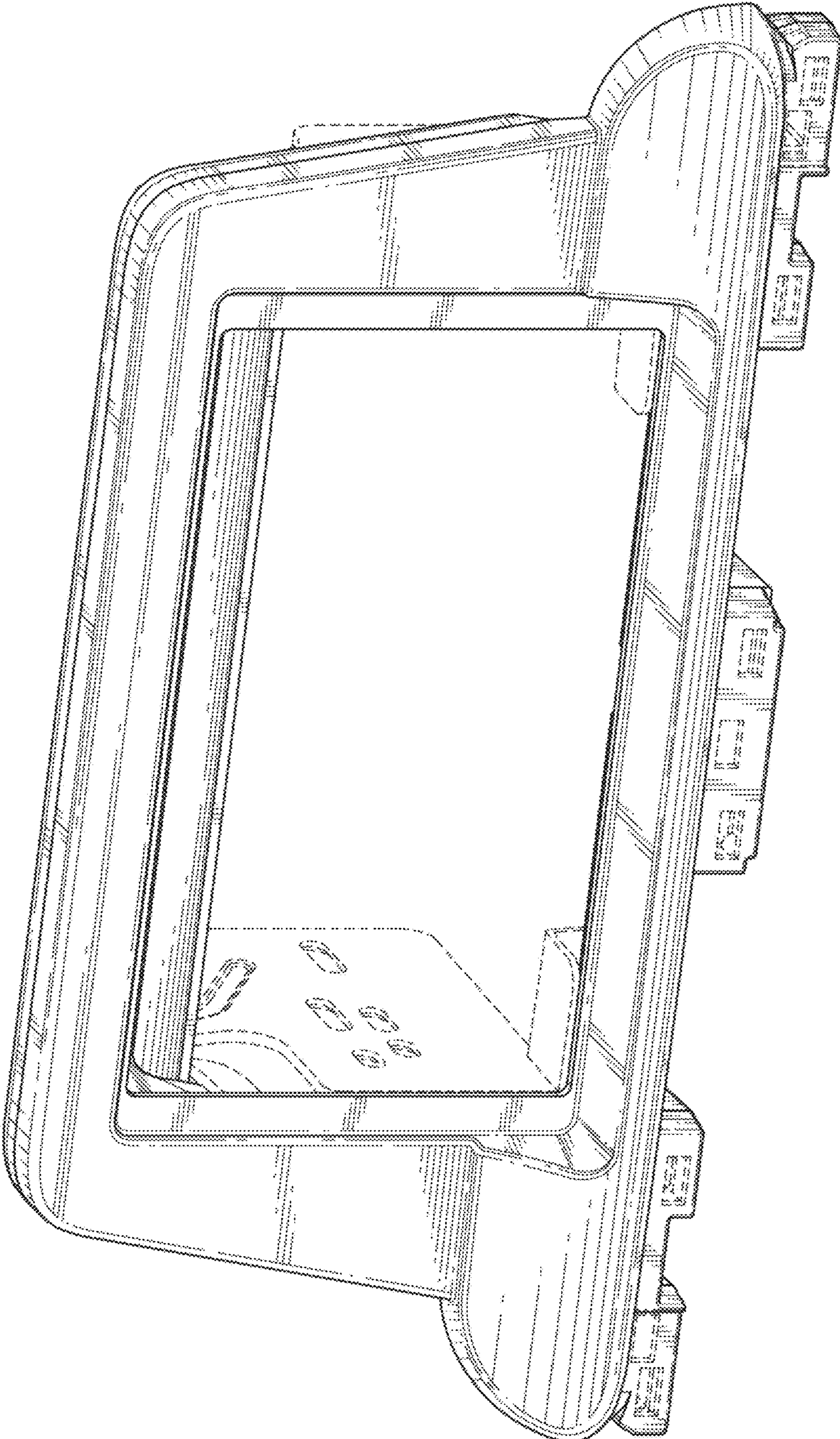


FIG. 1

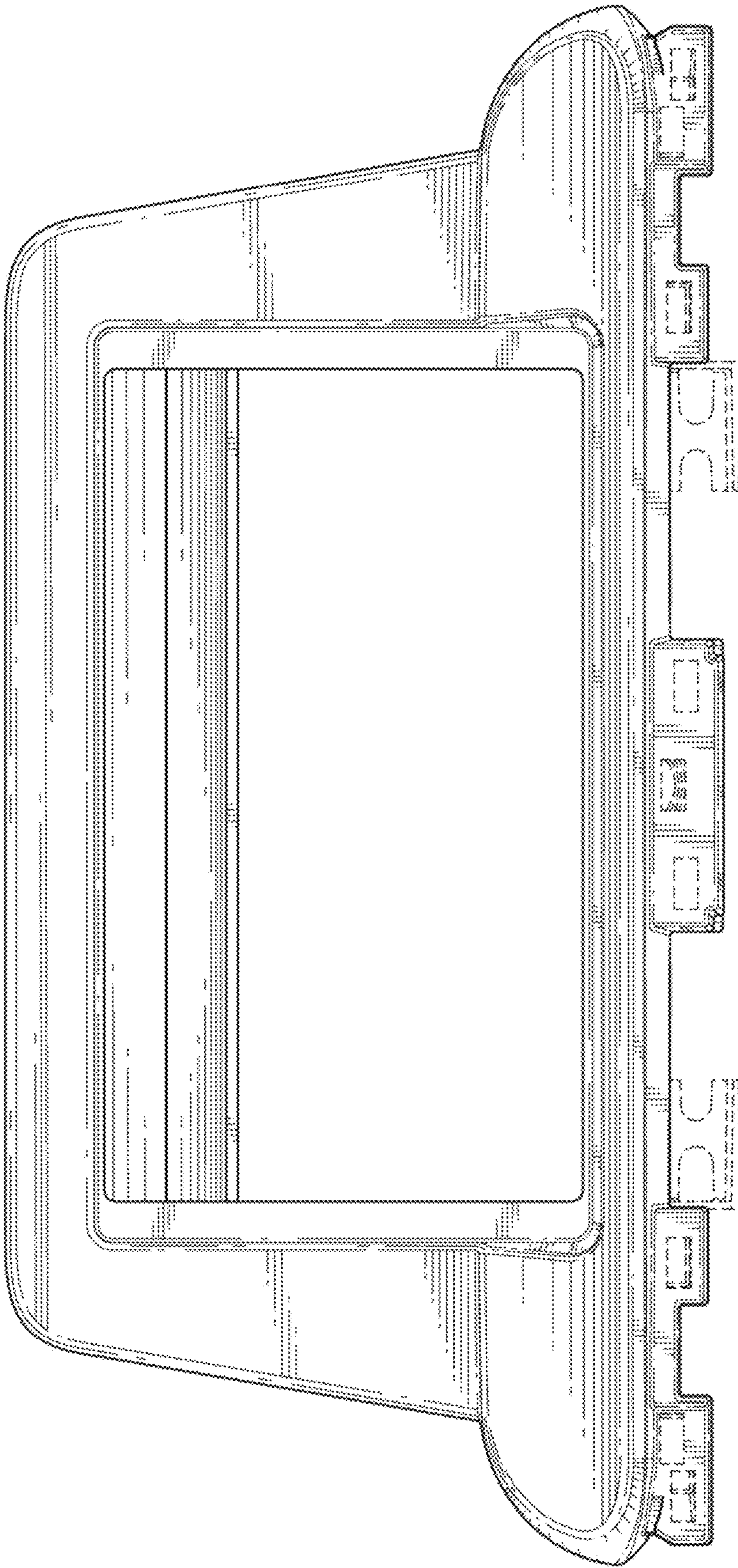


FIG. 2

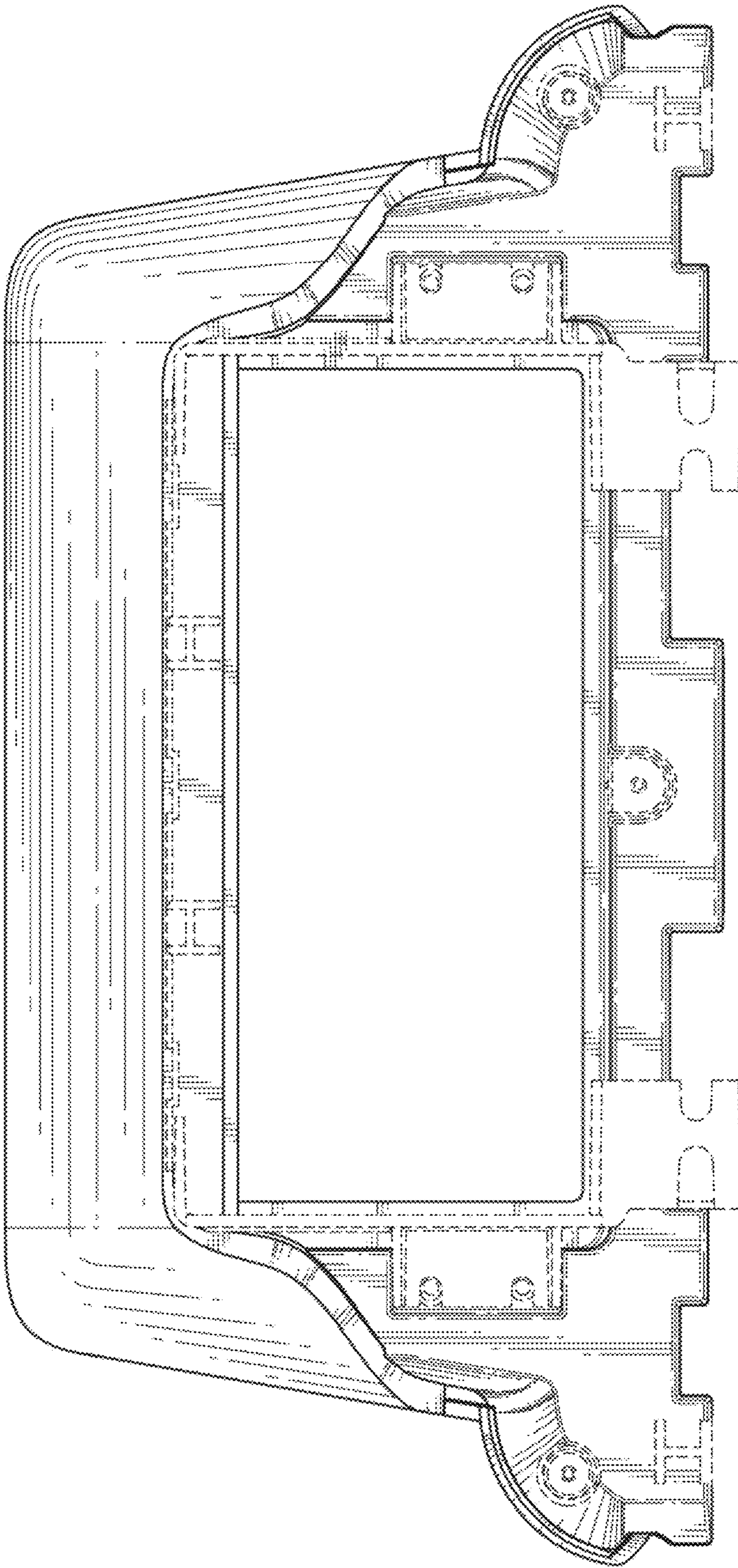


FIG. 3

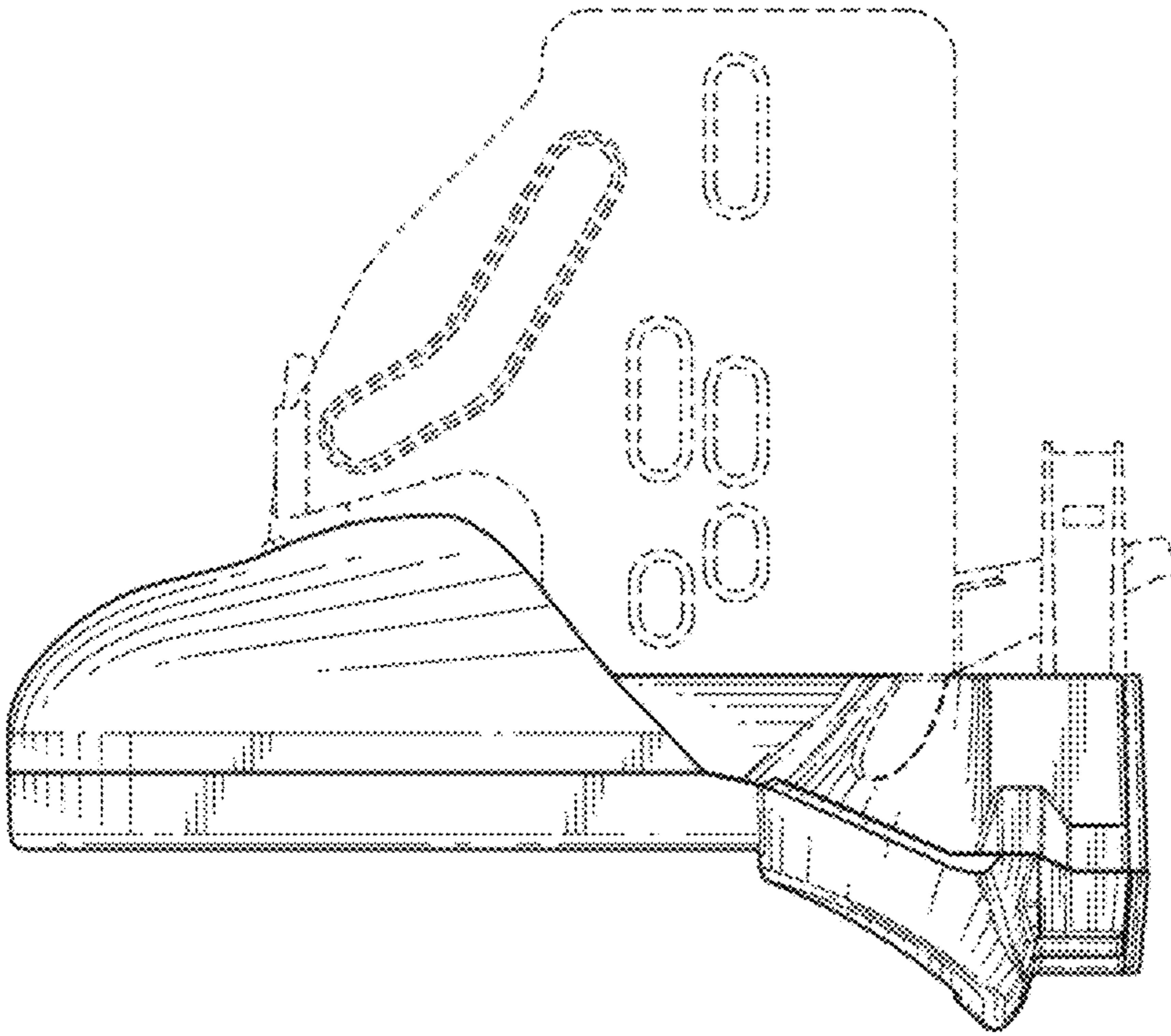


FIG. 4

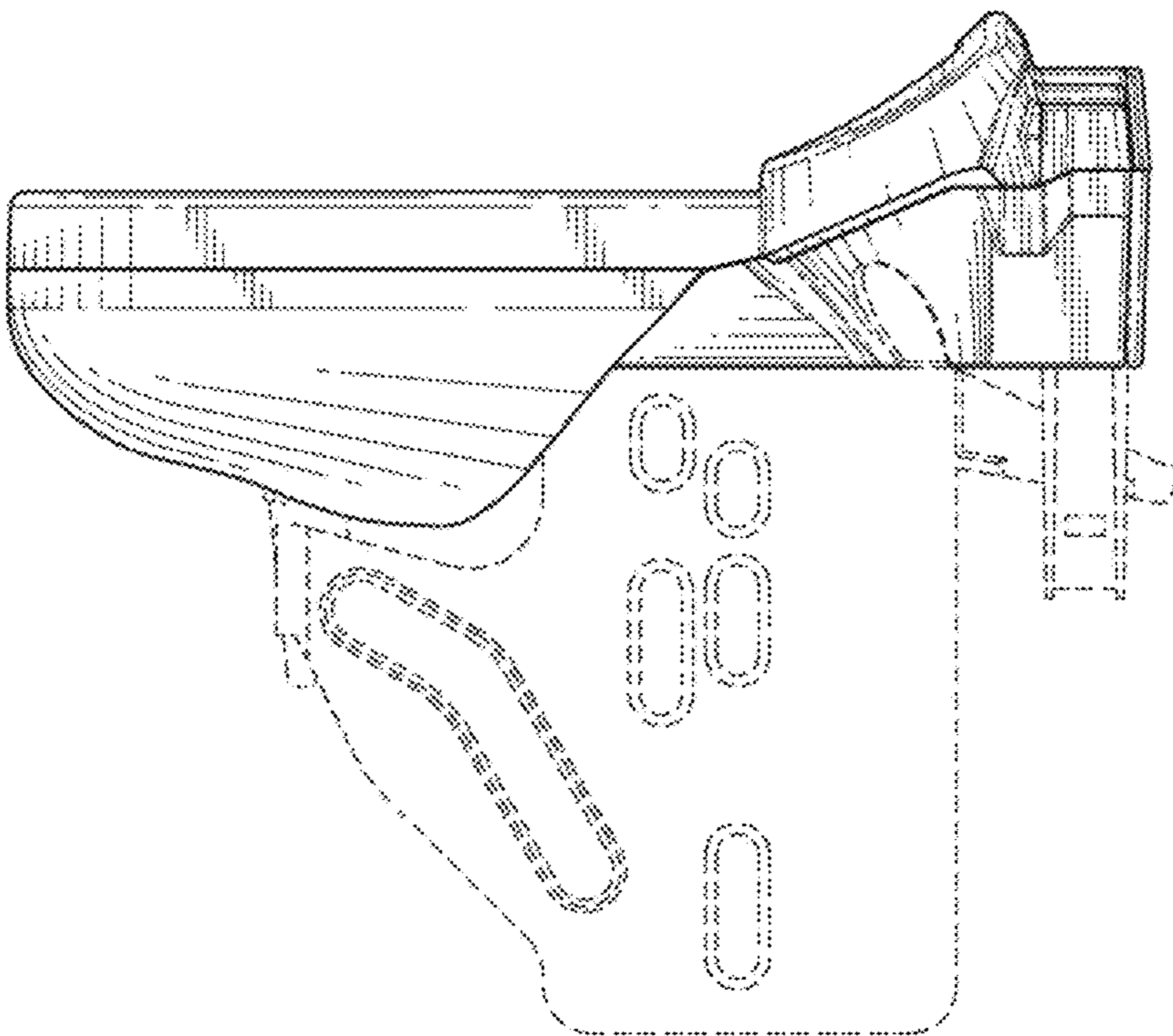


FIG. 5

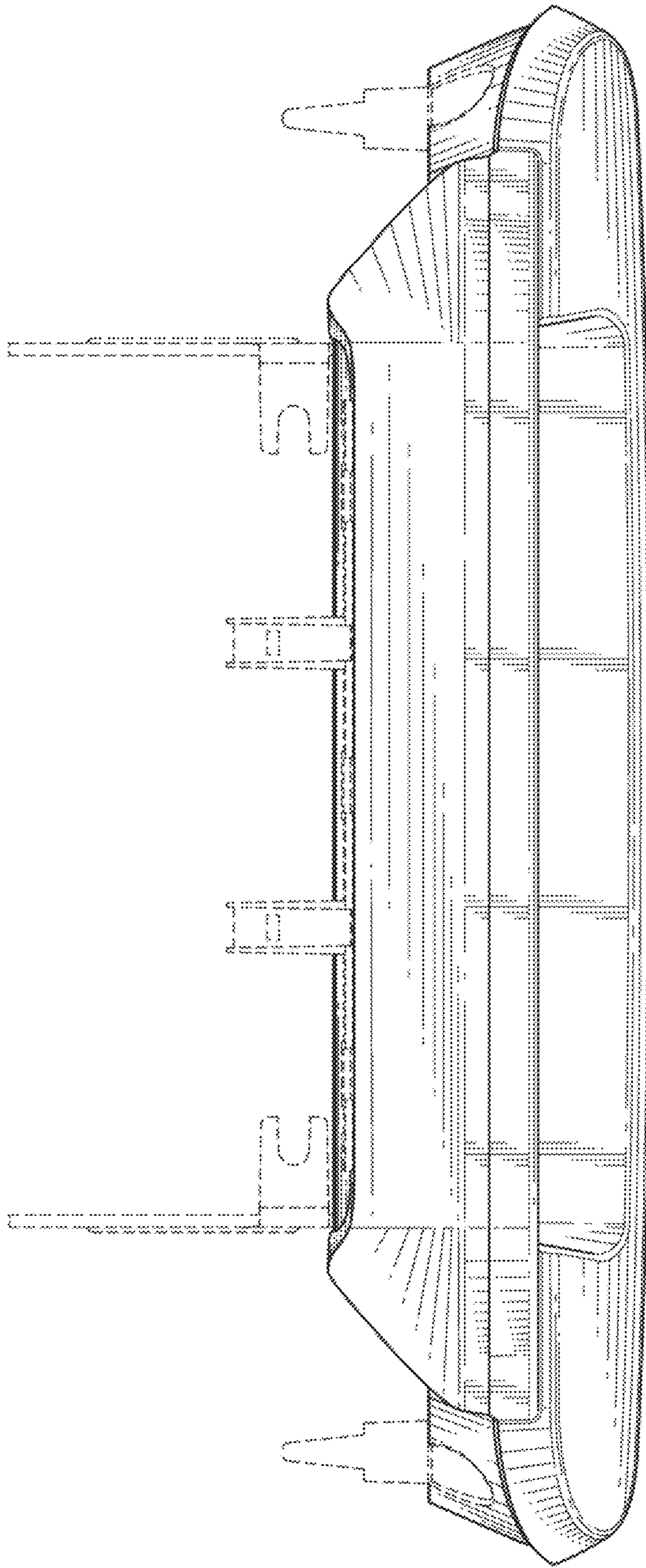


FIG. 6

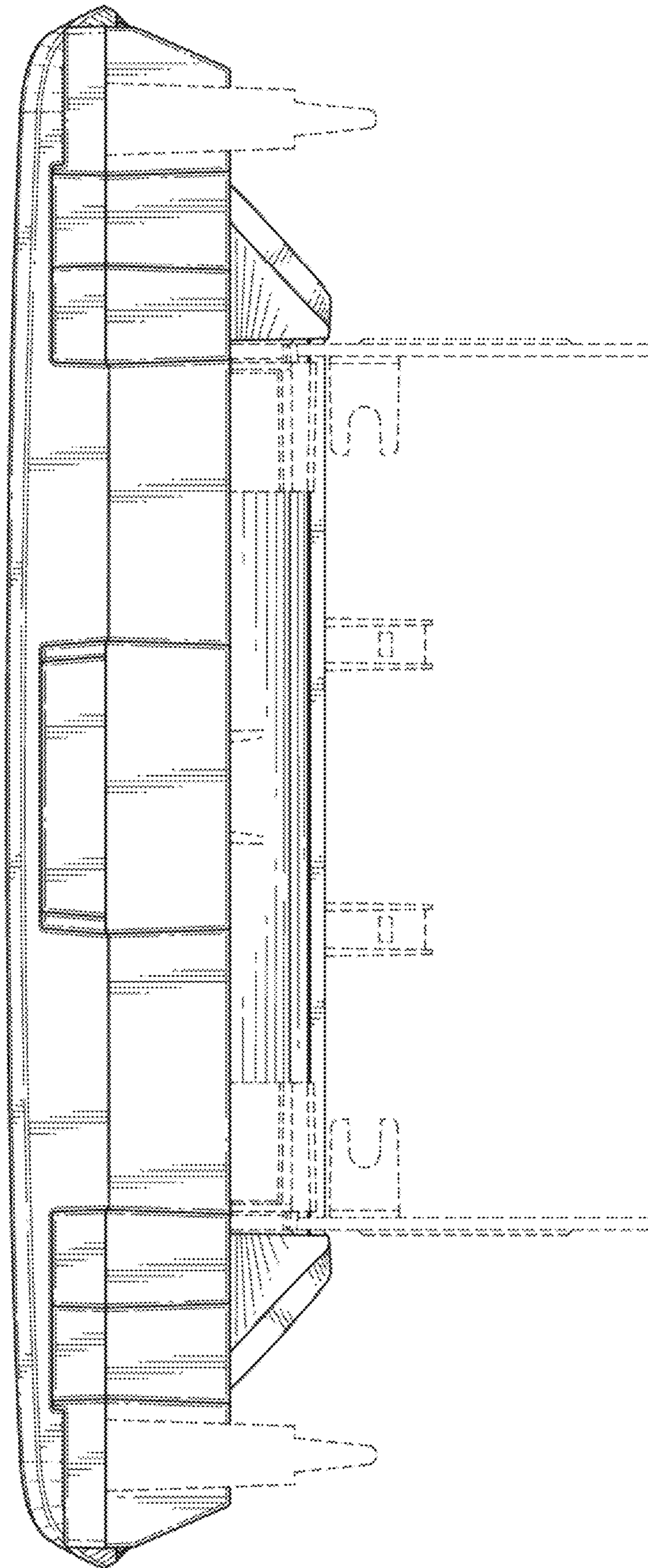


FIG. 7

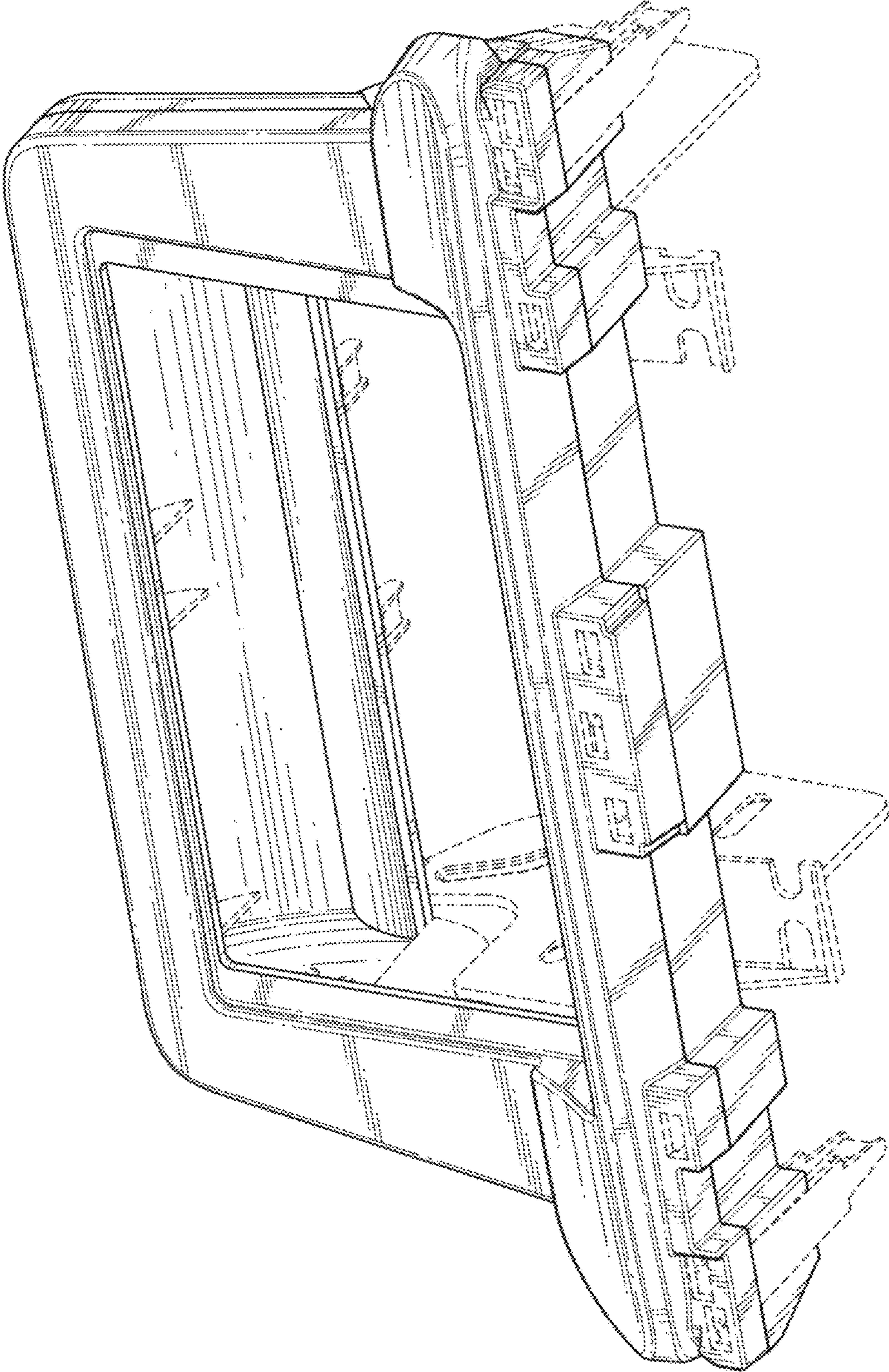


FIG. 8