



US00D961576S

(12) **United States Design Patent**
Yang et al.

(10) **Patent No.:** **US D961,576 S**
(45) **Date of Patent:** **** Aug. 23, 2022**

(54) **PEDESTAL FOR WIRELESS SIGNAL TRANSMISSION DEVICE**

(71) Applicant: **Wistron NeWeb Corp.**, Hsinchu (TW)

(72) Inventors: **Lan-Chun Yang**, Hsinchu (TW);
Ming-Hung Hung, Hsinchu (TW);
Yi-Chieh Lin, Hsinchu (TW); **Bau-Yi Huang**, Hsinchu (TW)

(73) Assignee: **WISTRON NEWEB CORP.**, Hsinchu (TW)

(**) Term: **15 Years**

(21) Appl. No.: **29/692,615**

(22) Filed: **May 28, 2019**

(51) **LOC (13) Cl.** **14-03**

(52) **U.S. Cl.**
USPC **D14/251; D14/240**

(58) **Field of Classification Search**
USPC D14/251–253, 447, 240, 239; D12/415
CPC H04M 1/11; H04M 1/06; H04M 1/12;
H04M 1/6075; H04M 1/724; A45F
2200/0516; A45F 2005/002
See application file for complete search history.

(56) **References Cited**

U.S. PATENT DOCUMENTS

D521,927 S *	5/2006	Franck	D13/108
D524,282 S *	7/2006	Beasley	D13/108
D526,973 S *	8/2006	Gates	D13/184
D558,207 S *	12/2007	Ikeda	D14/434
D627,718 S *	11/2010	Houghton	D32/31
D704,634 S *	5/2014	Eidelman	D13/108
D802,529 S *	11/2017	Andersson	D13/108
D817,268 S *	5/2018	Symons	D13/108
D839,191 S *	1/2019	Akana	D13/108
D870,665 S *	12/2019	Schubert	D13/108
D874,631 S *	2/2020	Lee	D23/366

D878,291 S *	3/2020	Pupecki	D13/108
D879,278 S *	3/2020	Scaba	D23/366
D884,687 S *	5/2020	Huang	D14/240
D890,752 S *	7/2020	Huang	D14/300
D895,543 S *	9/2020	Akana	D13/108
D898,017 S *	10/2020	Zhang	D14/447
D914,662 S *	3/2021	Unter Ecker	D14/240
D921,584 S *	6/2021	Bournique	D13/108
D935,448 S *	11/2021	Lee	D13/108
D937,248 S *	11/2021	Liu	D14/240

(Continued)

Primary Examiner — Janice Hallmark

(74) *Attorney, Agent, or Firm* — McClure, Qualey & Rodack, LLP

(57) **CLAIM**

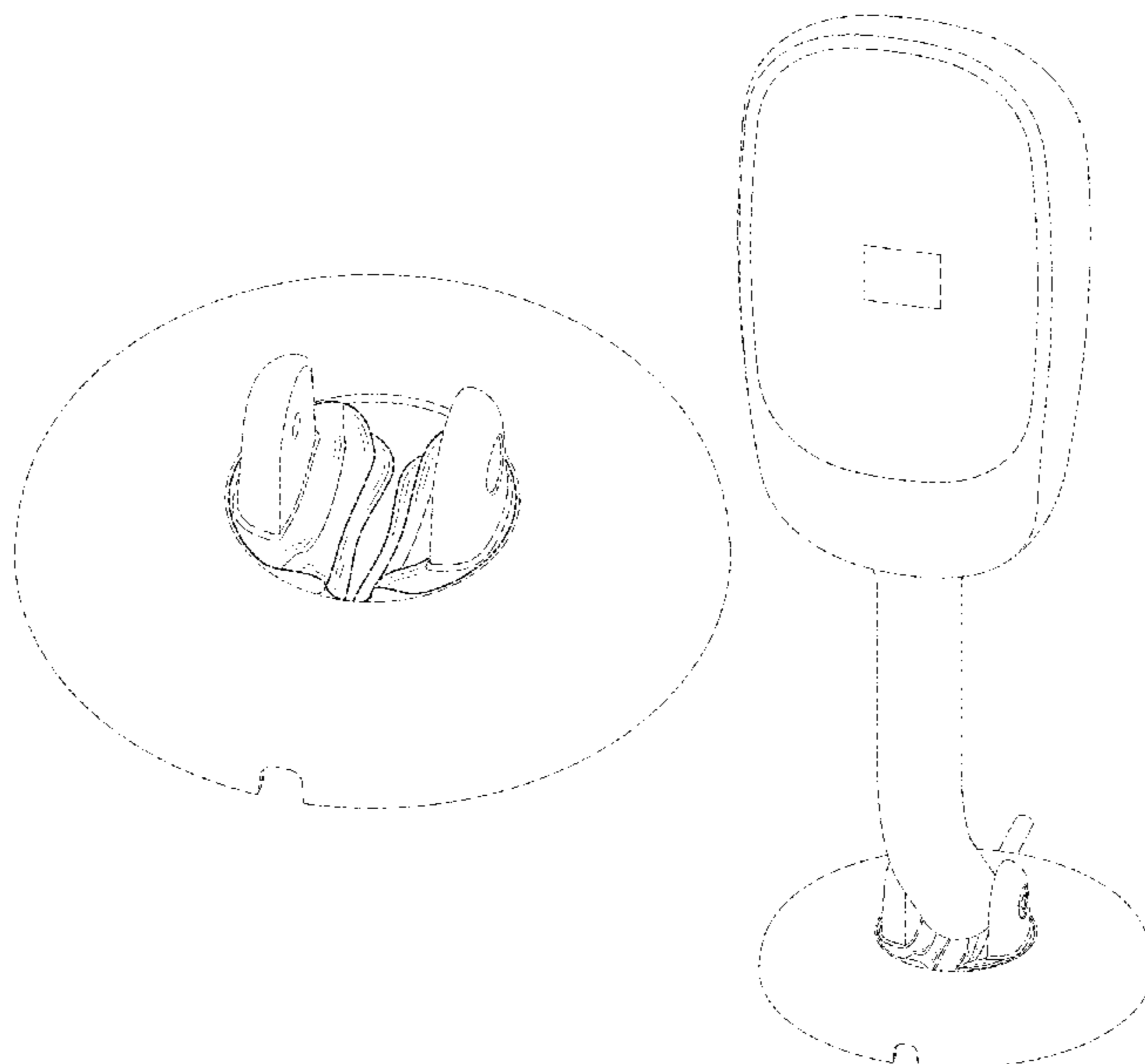
The ornamental design for a pedestal for wireless signal transmission device, as shown and described.

DESCRIPTION

FIG. 1 is a perspective view of a pedestal for wireless signal transmission device in accordance with our new design; FIG. 2 is a front view thereof; FIG. 3 is a rear view thereof; FIG. 4 is a left side view thereof; FIG. 5 is a right side view thereof; FIG. 6 is a top plan view thereof; and, FIG. 7 is a perspective reference view of the pedestal when pivotally connected to a wireless signal transmission device such as Wireless Access Point (WAP), wireless router, or Customer Premise Equipment (CPE).

There is no design feature to be shown in the bottom plan view of the pedestal, and thus the bottom plan view of the pedestal is omitted therein. The broken lines immediately adjacent the claimed areas represent the bounds of the claimed design while all other broken lines are directed to environment and are for illustrative purposes only. The broken lines form no part of the claimed design.

1 Claim, 5 Drawing Sheets



(56)

References Cited

U.S. PATENT DOCUMENTS

D946,558 S * 3/2022 Gopavaram D14/240
2008/0110672 A1* 5/2008 Ryan H05K 5/0204
174/542
2009/0127411 A1* 5/2009 Aguilar F16M 13/027
248/205.8
2021/0148506 A1* 5/2021 Yang F16M 11/10

* cited by examiner

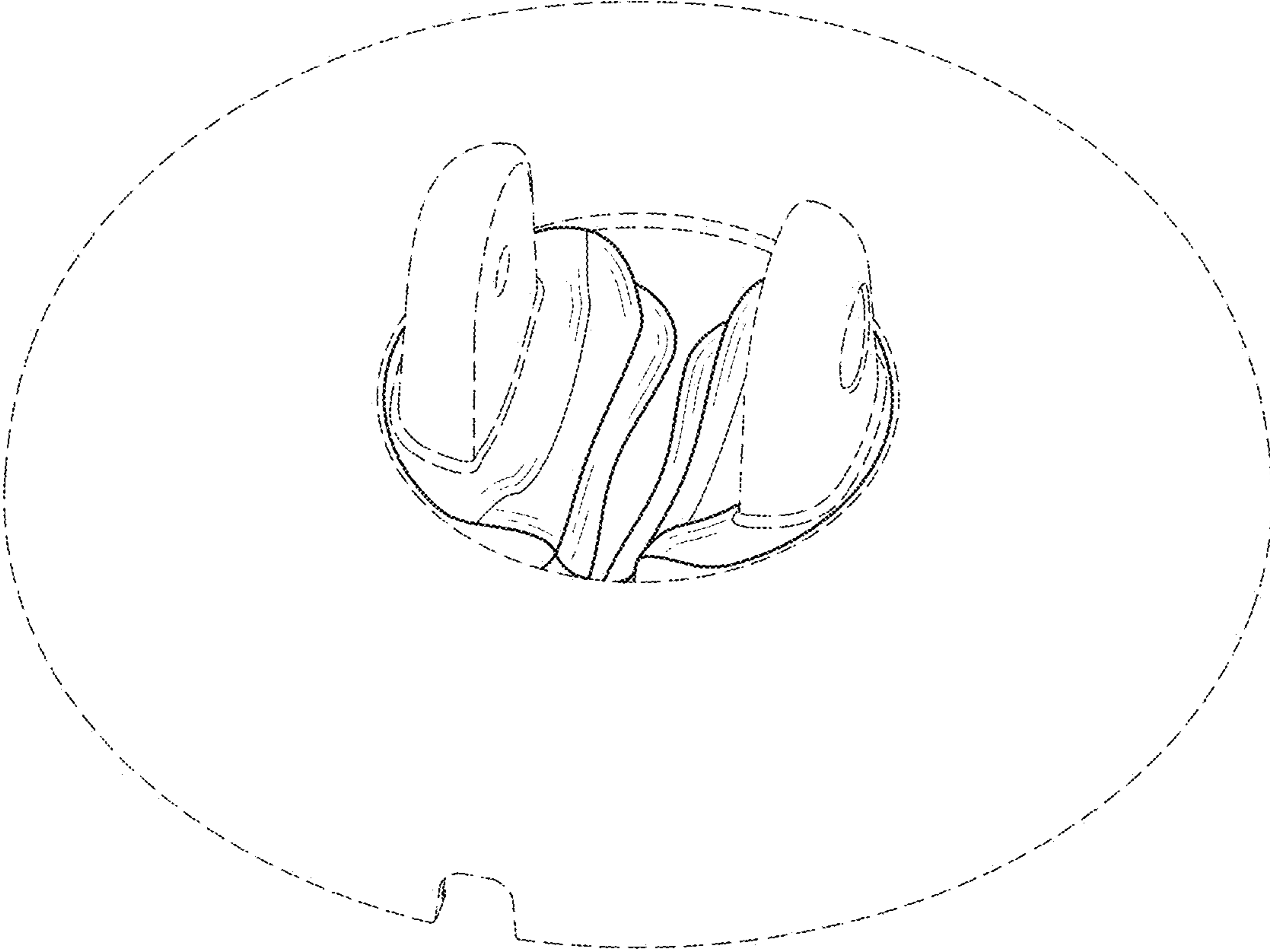


FIG. 1

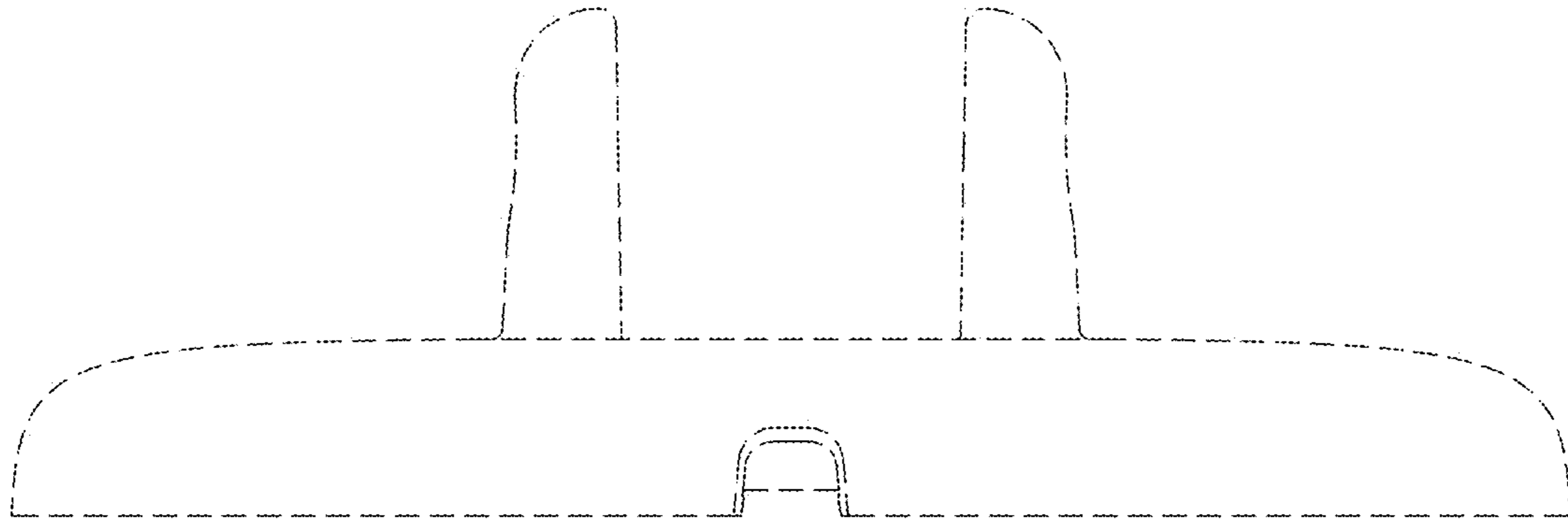


FIG. 2

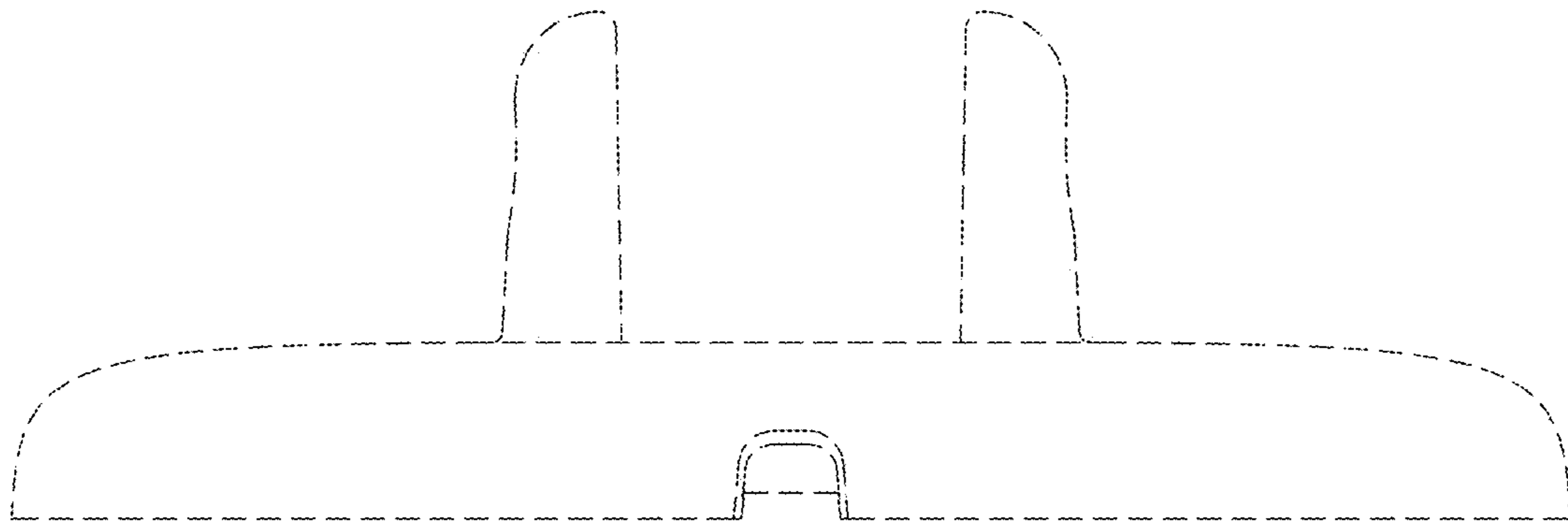


FIG. 3

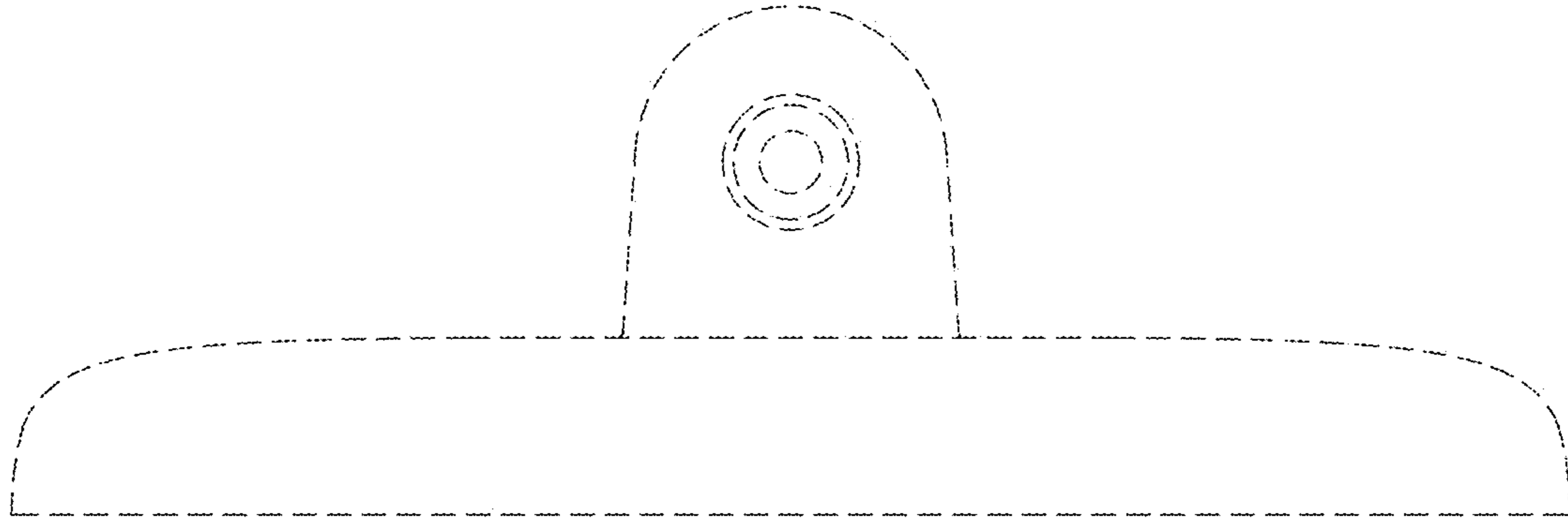


FIG. 4

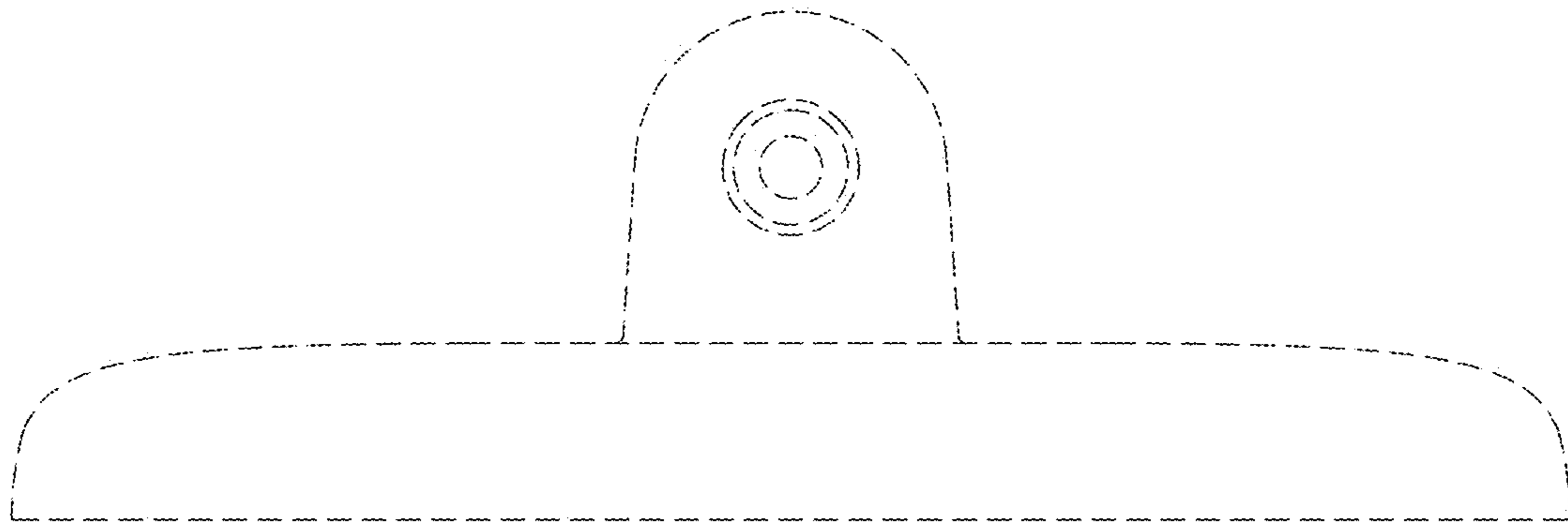


FIG. 5

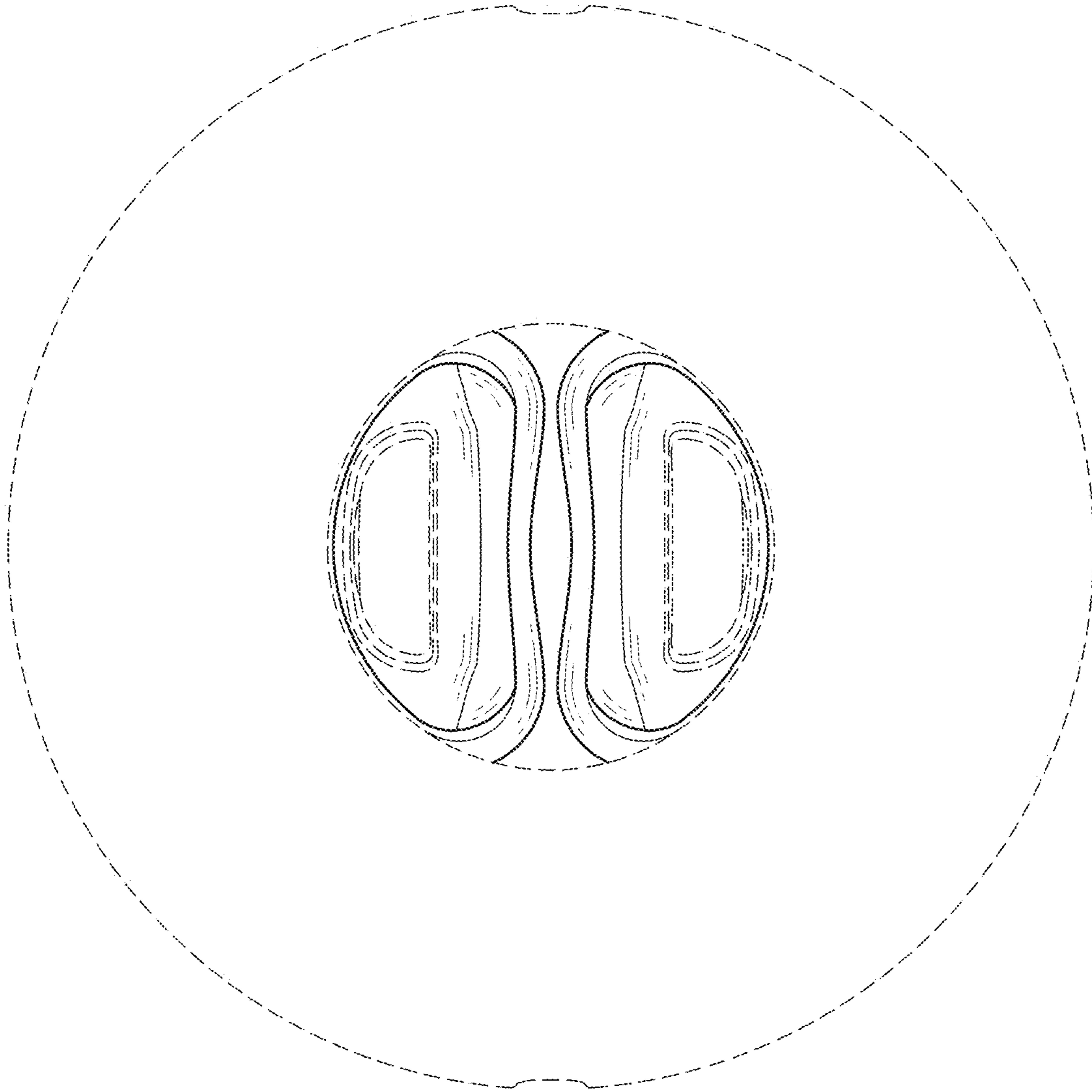


FIG. 6

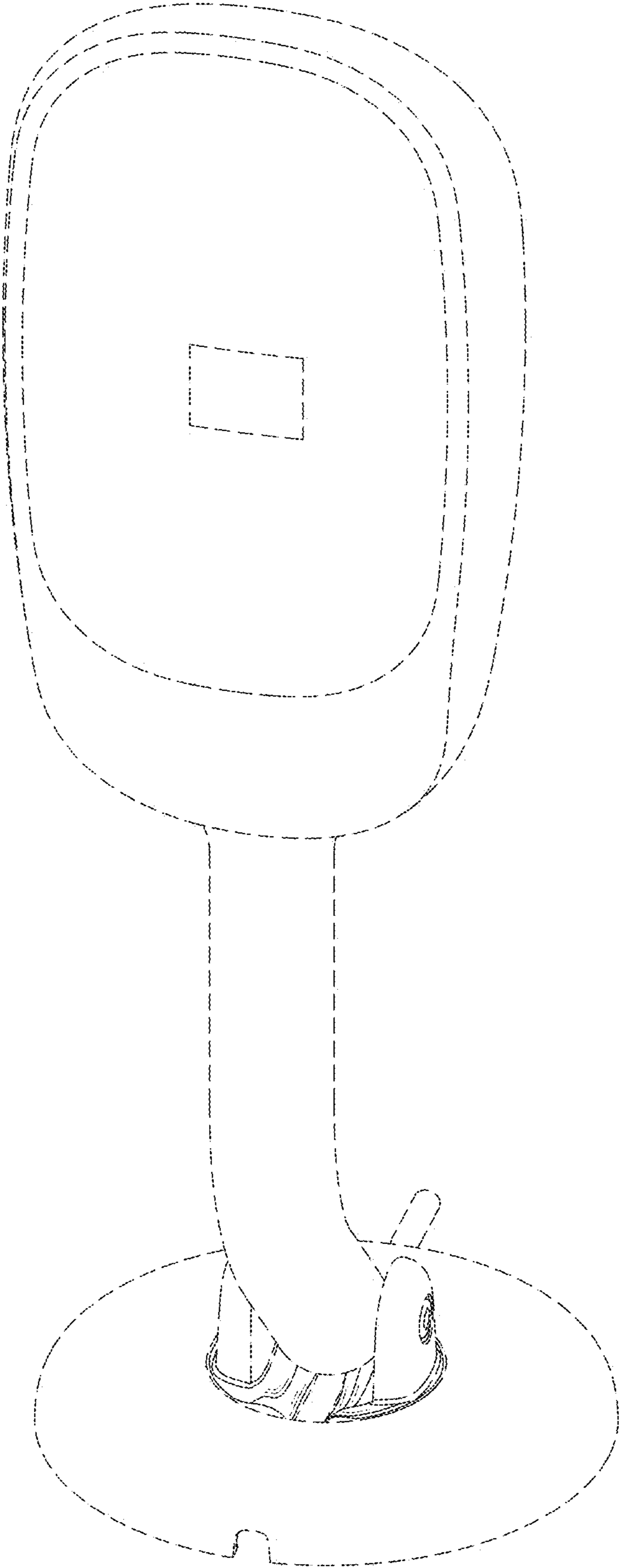


FIG. 7