

US00D961575S

(12) **United States Design Patent**
Liu

(10) **Patent No.:** **US D961,575 S**

(45) **Date of Patent:** **** Aug. 23, 2022**

(54) **CASE FOR MOBILE TELEPHONE**

(71) Applicant: **GuangDong ReDian Electronic Technology Co., Ltd., Guangzhou (CN)**

(72) Inventor: **Huixiong Liu, Guangzhou (CN)**

(**) Term: **15 Years**

(21) Appl. No.: **29/830,859**

(22) Filed: **Mar. 15, 2022**

(30) **Foreign Application Priority Data**

Jan. 19, 2022 (EM) 008835292-0001

(51) **LOC (13) Cl.** **14-03**

(52) **U.S. Cl.**
USPC **D14/250**

(58) **Field of Classification Search**
USPC D14/203.3–203.7, 439, 447, 251–253, D14/217, 240, 238.1, 440, 248, 250; D13/103, 107–108, 119; D3/201, 218, D3/247, 249, 269, 273, 301, 303
CPC H04B 1/3888; A45C 11/00; A45C 13/02; A45C 2011/002; A45C 1/06; A45F 2200/0525; A45F 2005/026; A45F 2200/0516; H04M 1/0283; H04M 1/0202
See application file for complete search history.

(56) **References Cited**

U.S. PATENT DOCUMENTS

D525,986 S *	8/2006	Kim	D14/203.3
D580,424 S *	11/2008	Wang	D14/248
D690,688 S *	10/2013	Bau	D14/250
D749,555 S *	2/2016	Poon	D14/250
D759,644 S *	6/2016	Penn	D14/250
D764,475 S *	8/2016	Penn	D14/440
D772,855 S *	11/2016	Ju	D14/250
D782,453 S *	3/2017	Kim	D14/248

D813,220 S *	3/2018	Wright	D14/250
10,015,296 B1 *	7/2018	Haymond	H04M 1/0252
D832,833 S *	11/2018	Kim	D14/250
D853,371 S *	7/2019	Wei	D14/250
D873,833 S *	1/2020	Leimer	D14/440
D896,212 S *	9/2020	Wang	D14/250
D896,804 S	9/2020	Lin	

(Continued)

Primary Examiner — Carla J Wright

(74) *Attorney, Agent, or Firm* — SciNova IP and Regulatory Consulting LLC; Jingfeng Song

(57) **CLAIM**

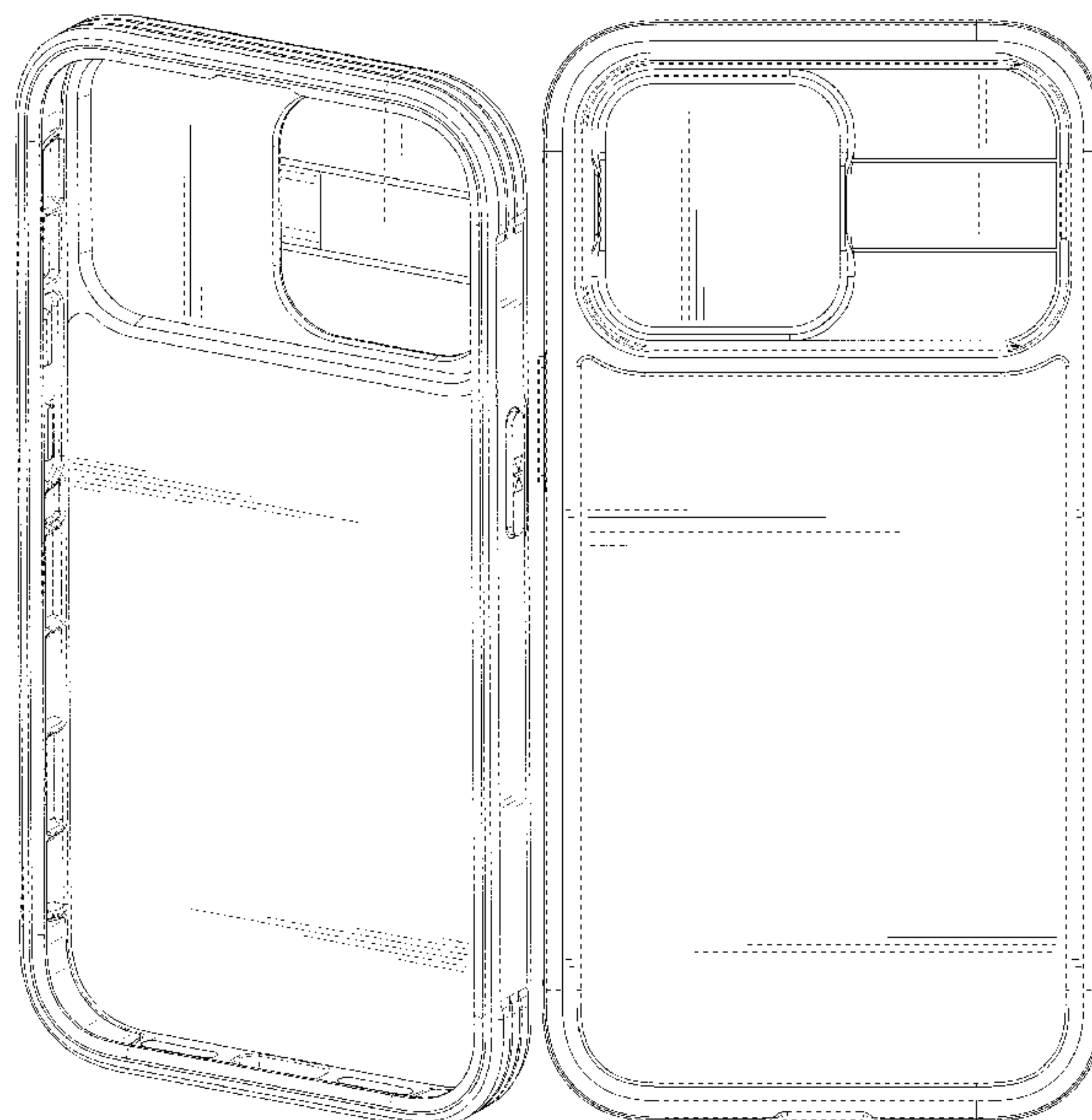
The ornamental design for a case for mobile telephone, as shown and described.

DESCRIPTION

FIG. 1 is a front, right, and top perspective view of a case for mobile telephone showing my new design; FIG. 2 is a front, left, and bottom perspective view thereof; FIG. 3 is a rear, left, and bottom perspective view thereof; FIG. 4 is a front elevational view thereof; FIG. 5 is a rear elevational view thereof; FIG. 6 is a left elevational view thereof; FIG. 7 is a right elevational view thereof; FIG. 8 is a top plan view thereof; FIG. 9 is a bottom plan view thereof; FIG. 10 is an enlarged view of the delineated region 10 in FIG. 2; and, FIG. 11 is an enlarged view of the delineated region 11 in FIG. 3.

The dot-dash broken lines in FIGS. 2-3 and 10-11 form no part of the claimed design and delineate portions of the claimed design that are shown on an enlarged scale in FIGS. 10 and 11. The dashed broken lines in FIGS. 3 and 11 form no part of the claimed design and depict a portion of the case for mobile telephone that forms no part of the claimed design.

1 Claim, 11 Drawing Sheets



(56)

References Cited

U.S. PATENT DOCUMENTS

D900,083	S *	10/2020	Yoon	D14/250
D903,647	S	12/2020	Lin	
D916,692	S	4/2021	Ting	
D917,445	S	4/2021	Li	
D918,888	S	5/2021	Feng	
D925,514	S	7/2021	Chung	
D926,182	S *	7/2021	Miller	D14/250
D927,473	S	8/2021	Wu et al.	
D936,047	S	11/2021	Feng	
D936,643	S	11/2021	Yang et al.	
D937,250	S *	11/2021	Jakobuco	D14/250
D938,406	S	12/2021	Li	
D940,121	S *	1/2022	Lu	D14/250
D940,698	S	1/2022	Qu	
D944,238	S *	2/2022	Morgan	D14/250
D950,539	S *	5/2022	Zhang	D14/250
2012/0112031	A1 *	5/2012	Gormick	G06F 1/1686 248/371
2014/0227026	A1 *	8/2014	O'Neill	G06F 1/1626 403/345
2015/0320167	A1 *	11/2015	Nguyen	A45F 5/00 224/191
2019/0179212	A1 *	6/2019	Leimer	G03B 11/043
2019/0369462	A1 *	12/2019	Krause	G03B 11/045

* cited by examiner

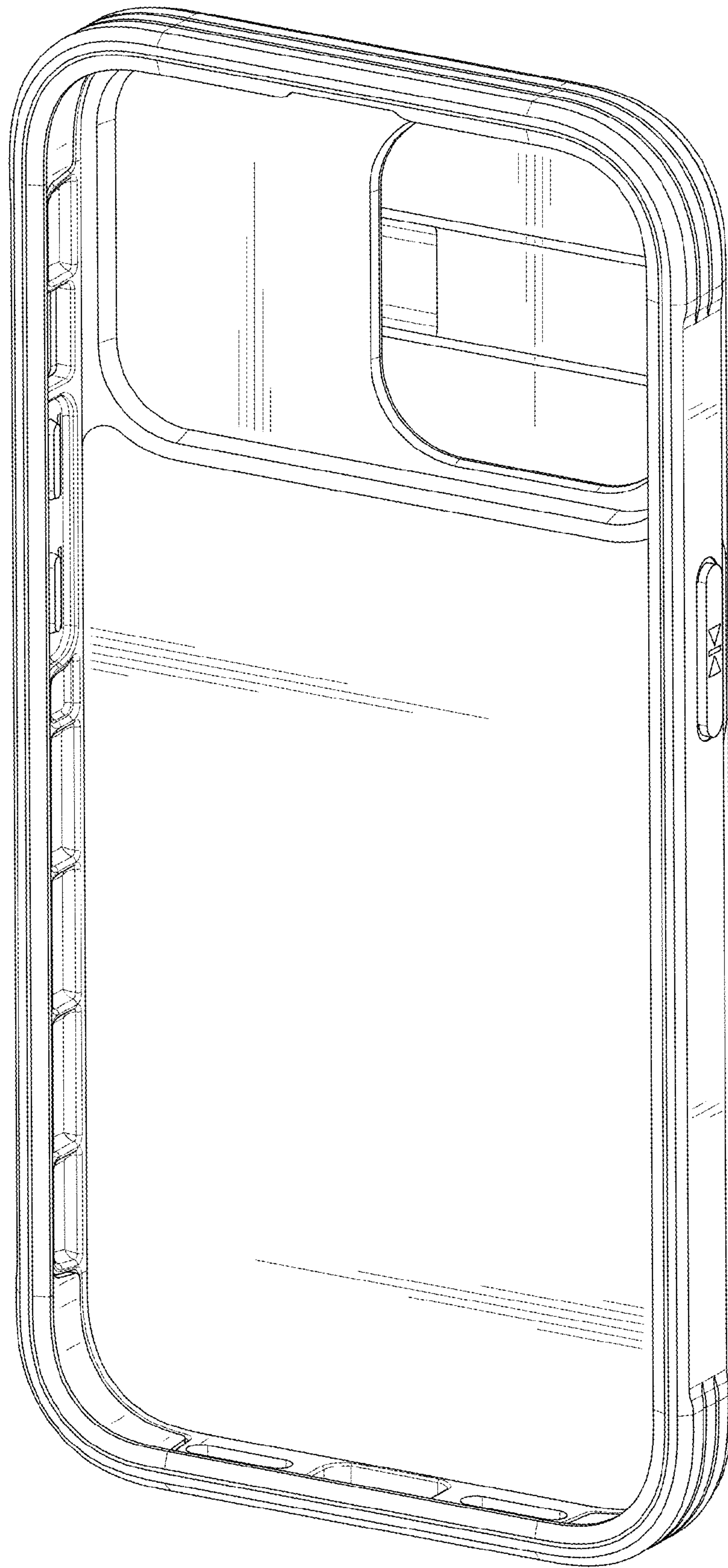


FIG. 1

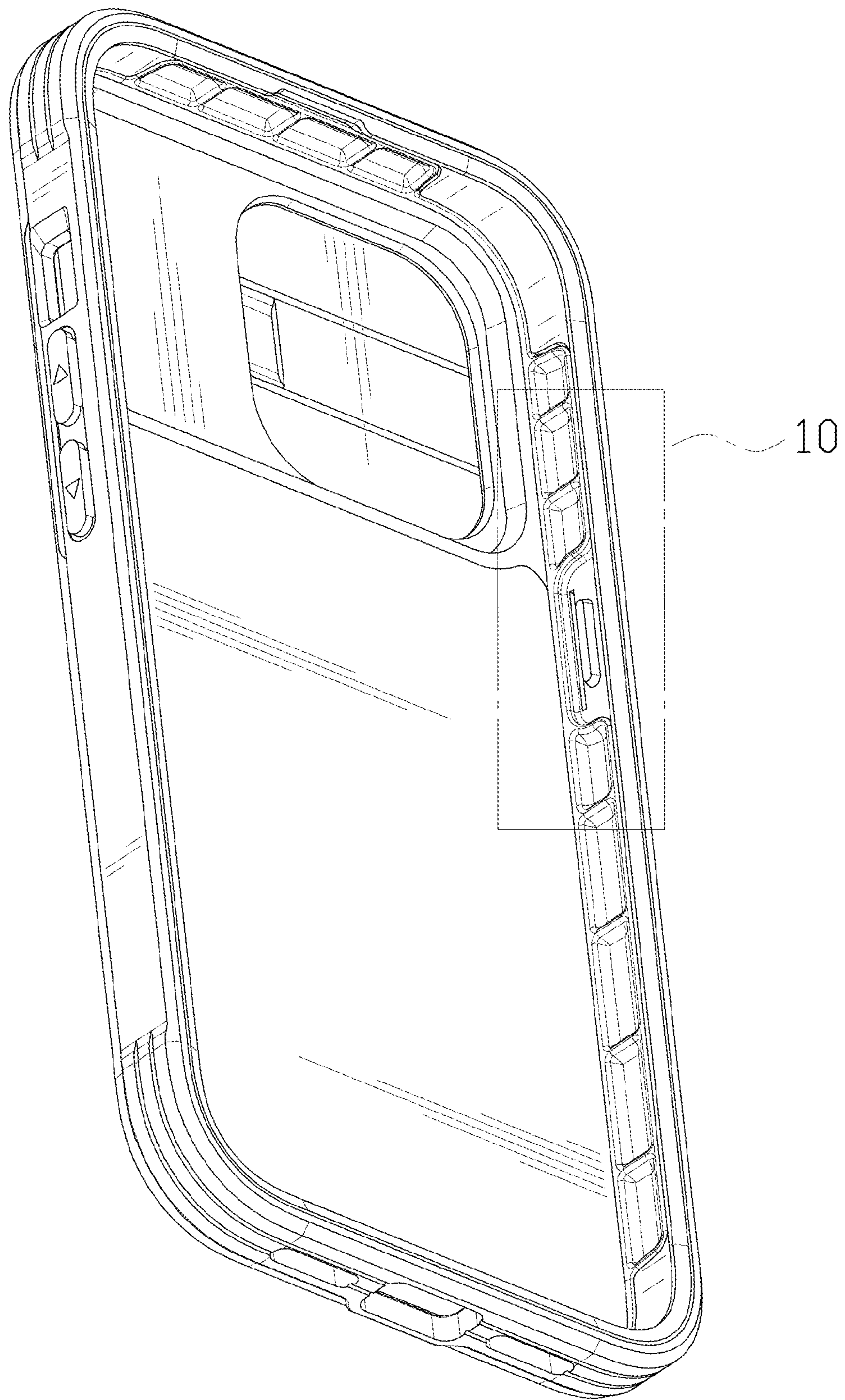


FIG. 2

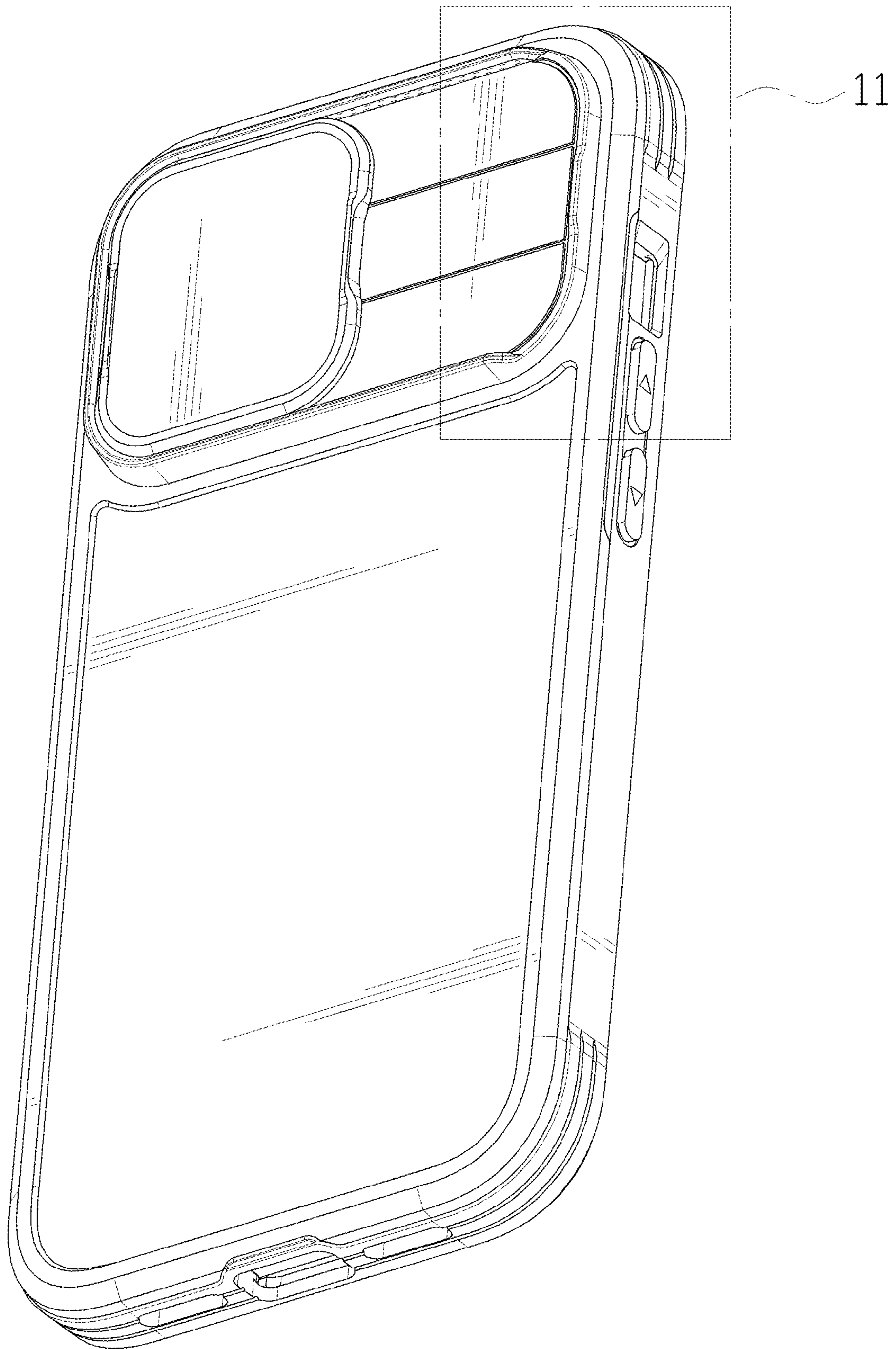


FIG. 3

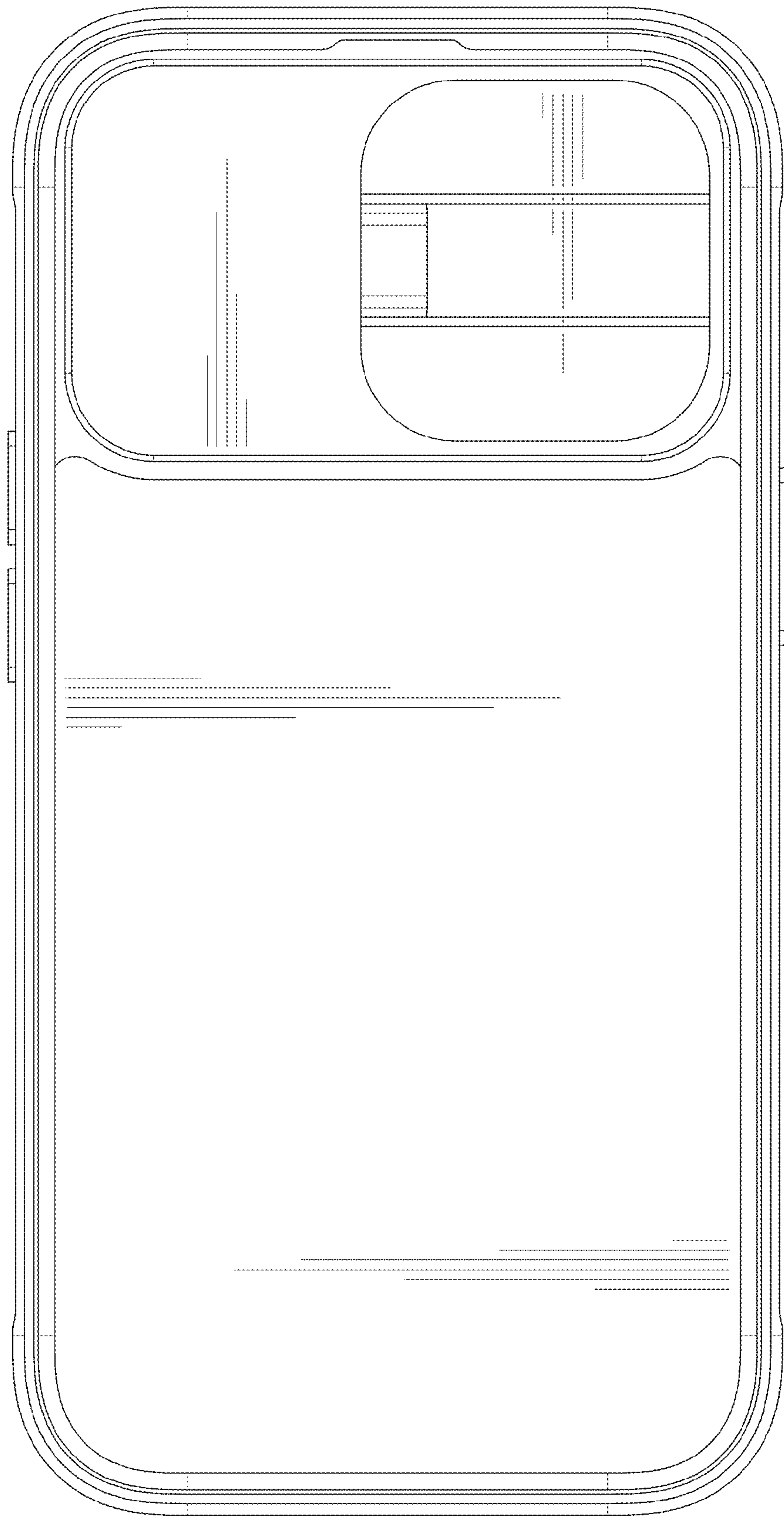


FIG. 4

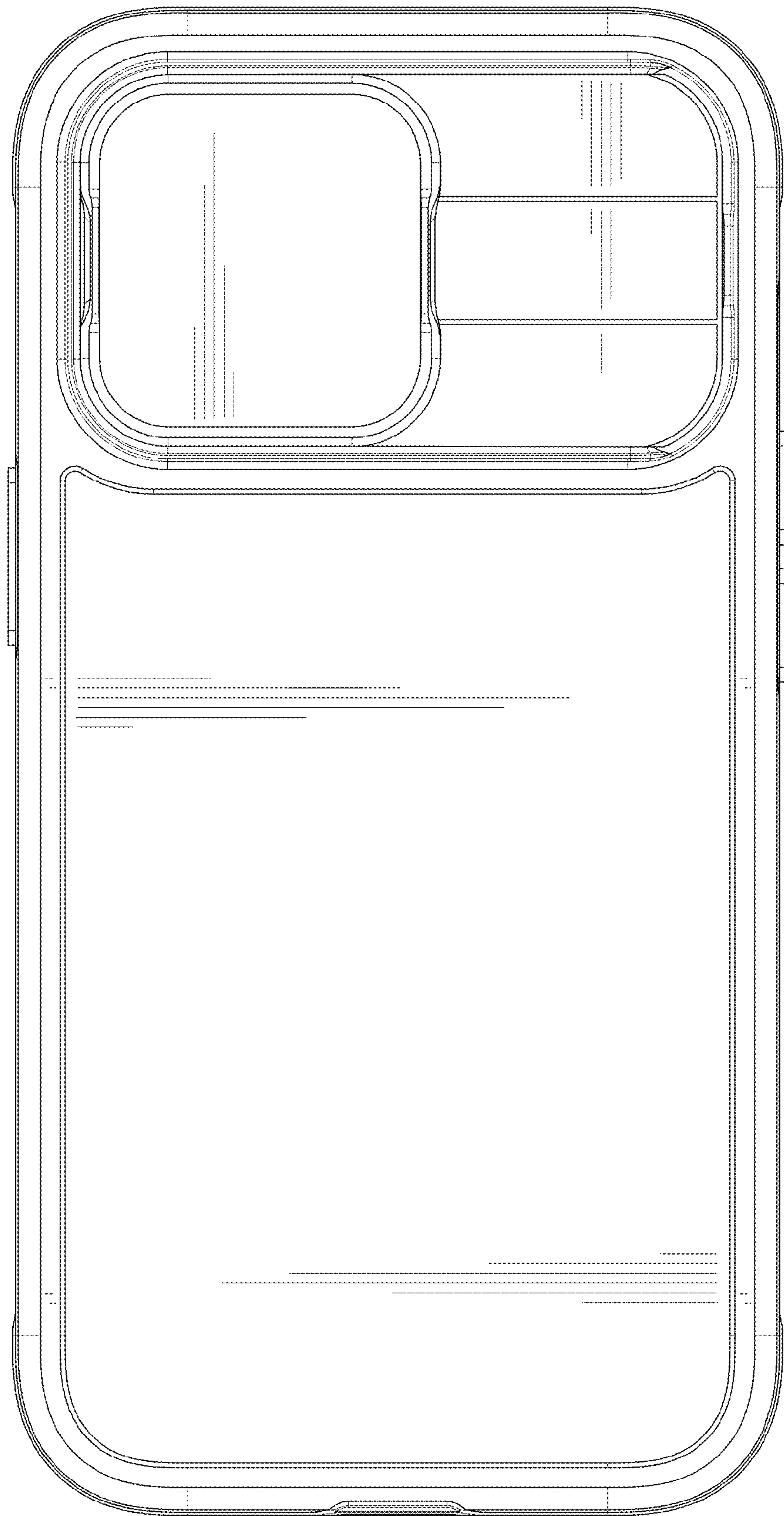


FIG. 5

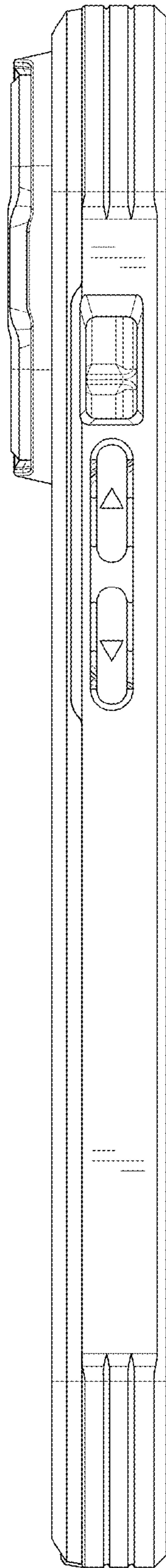


FIG. 6

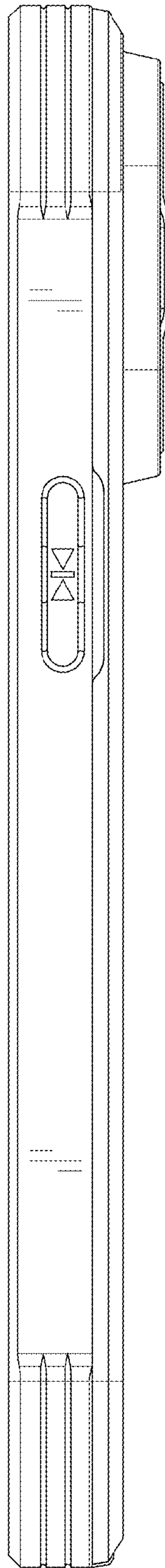


FIG. 7

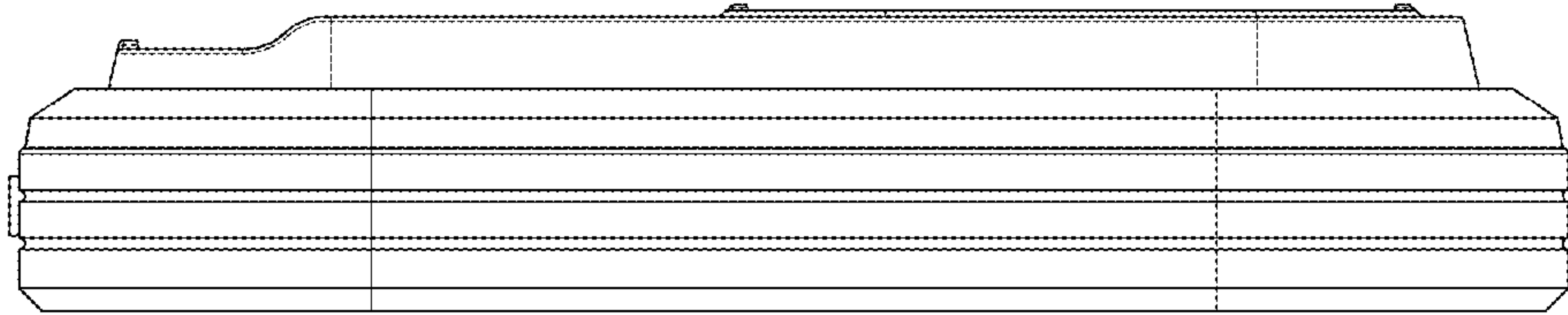


FIG. 8

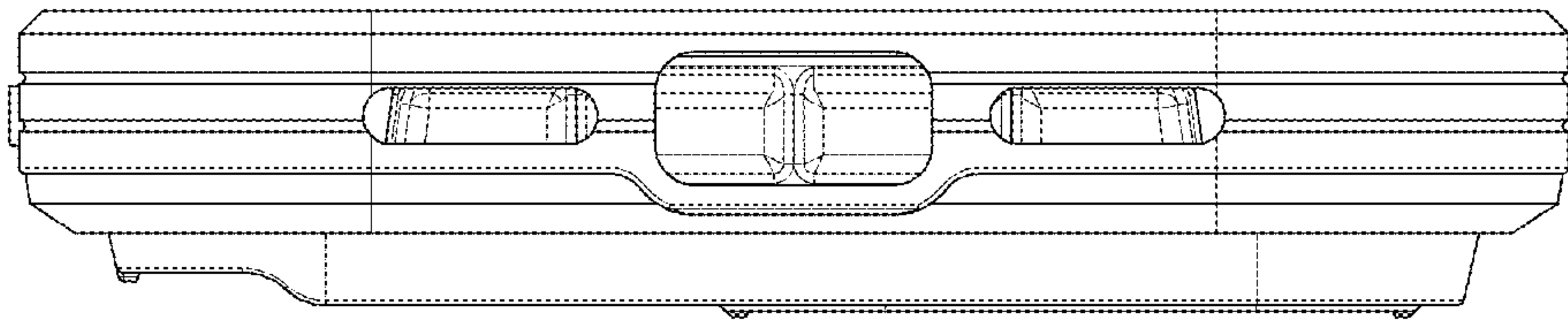


FIG. 9

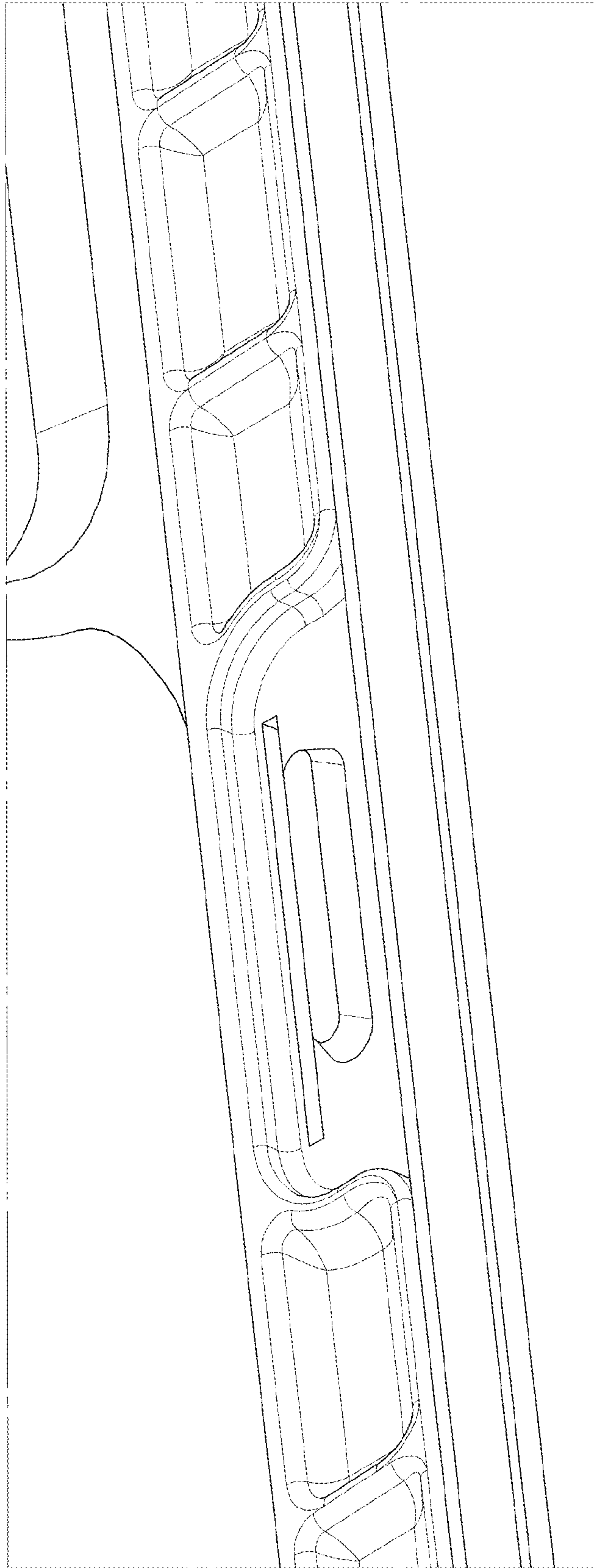


FIG. 10

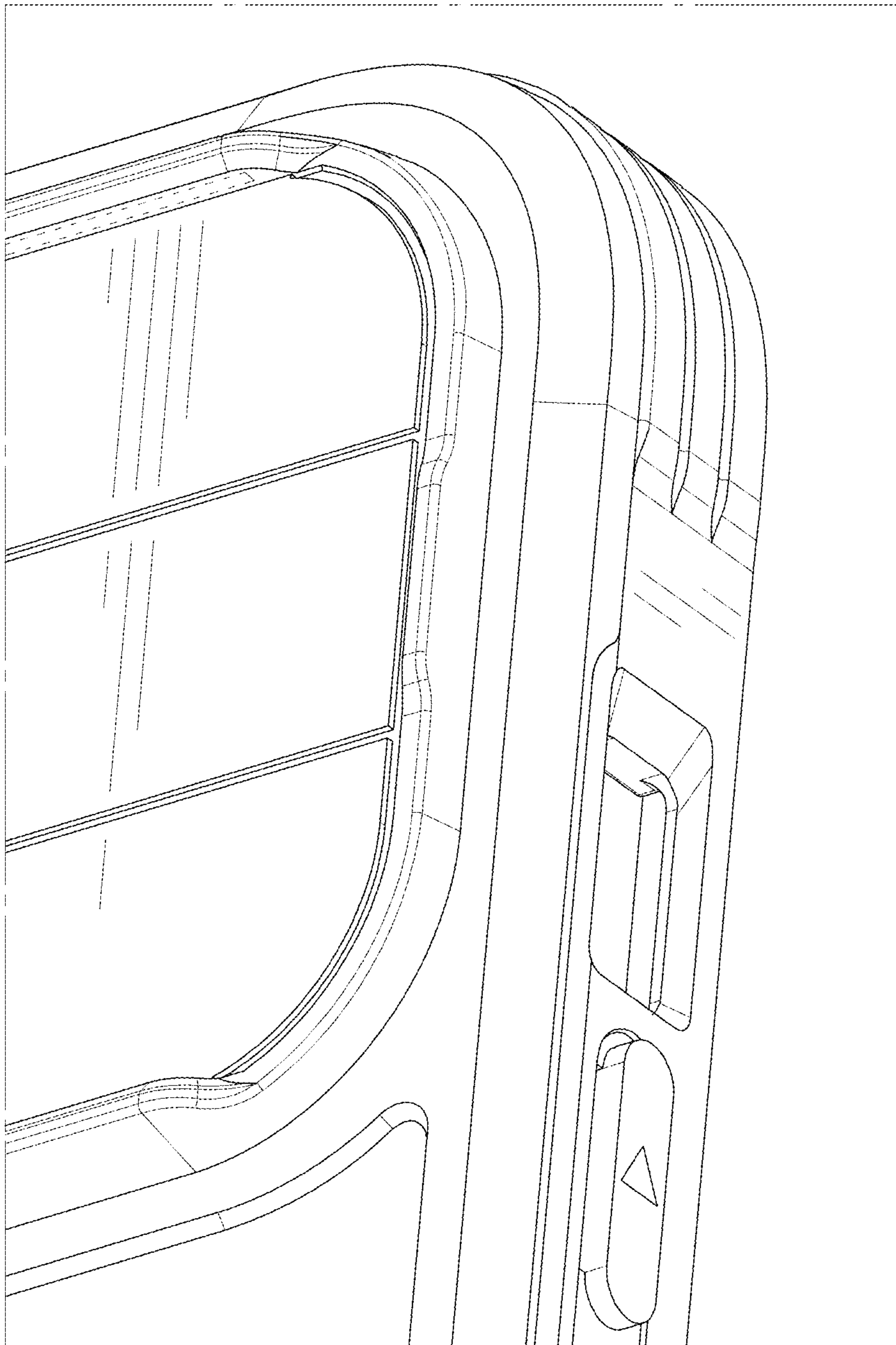


FIG. 11