



US00D961574S

(12) **United States Design Patent**  
**Gao**

(10) **Patent No.:** **US D961,574 S**

(45) **Date of Patent:** **\*\* Aug. 23, 2022**

(54) **MOBILE PHONE STAND**

(71) Applicant: **Caihong Gao**, Foshan (CN)

(72) Inventor: **Caihong Gao**, Foshan (CN)

(\*\*) Term: **15 Years**

(21) Appl. No.: **29/801,459**

(22) Filed: **Jul. 29, 2021**

(51) **LOC (13) Cl.** ..... **14-03**

(52) **U.S. Cl.**  
USPC ..... **D14/250**; D14/253

(58) **Field of Classification Search**  
USPC ..... D14/203.3–203.7, 439, 251–253, 447,  
D14/217, 240, 238.1, 440, 248, 250;  
D13/103, 107–108, 119; D3/201, 218,  
D3/247, 249, 269, 273, 301, 303  
CPC ..... H04B 1/3888; A45C 11/00; A45C 13/02;  
A45C 2011/002; A45C 1/06; A45F  
2200/0525; A45F 2005/026; A45F  
2200/0516; H04M 1/0283; H04M 1/0202  
See application file for complete search history.

(56) **References Cited**

**U.S. PATENT DOCUMENTS**

D317,157 S	*	5/1991	Jondelius	.....	D8/373
D663,294 S	*	7/2012	Buxton	.....	D14/250
D668,247 S	*	10/2012	Kim	.....	D14/253
D669,459 S	*	10/2012	Kim	.....	D14/253
D709,486 S	*	7/2014	Lin	.....	D14/250
D719,951 S	*	12/2014	Fenton	.....	D14/253
D763,853 S	*	8/2016	Pearce	.....	D14/440
D770,171 S	*	11/2016	Lai	.....	D3/218
D780,166 S	*	2/2017	Lin	.....	D14/250
D791,759 S	*	7/2017	Lin	.....	D14/250

D811,410 S	*	2/2018	Burmester	.....	D14/440
D835,088 S	*	12/2018	Zhuang	.....	D14/440
D862,446 S	*	10/2019	Jia	.....	D14/250
D868,052 S	*	11/2019	Jia	.....	D14/250
D868,053 S	*	11/2019	Gao	.....	D14/250
D879,083 S	*	3/2020	Feng	.....	D14/250
D898,016 S	*	10/2020	Liang	.....	D14/250
D903,688 S	*	12/2020	Hong	.....	D14/447
D912,654 S	*	3/2021	Weng	.....	D14/253
D913,969 S	*	3/2021	Lin	.....	D14/440
D923,616 S	*	6/2021	Xie	.....	D14/250
D933,643 S	*	10/2021	Liao	.....	D14/250
D934,226 S	*	10/2021	Zhang	.....	D14/250
D941,282 S	*	1/2022	Bai	.....	D14/250
D947,166 S	*	3/2022	Mi	.....	D14/250
2012/0006950 A1	*	1/2012	Vandiver	.....	F16M 13/00 248/176.3

\* cited by examiner

*Primary Examiner* — Carla J Wright

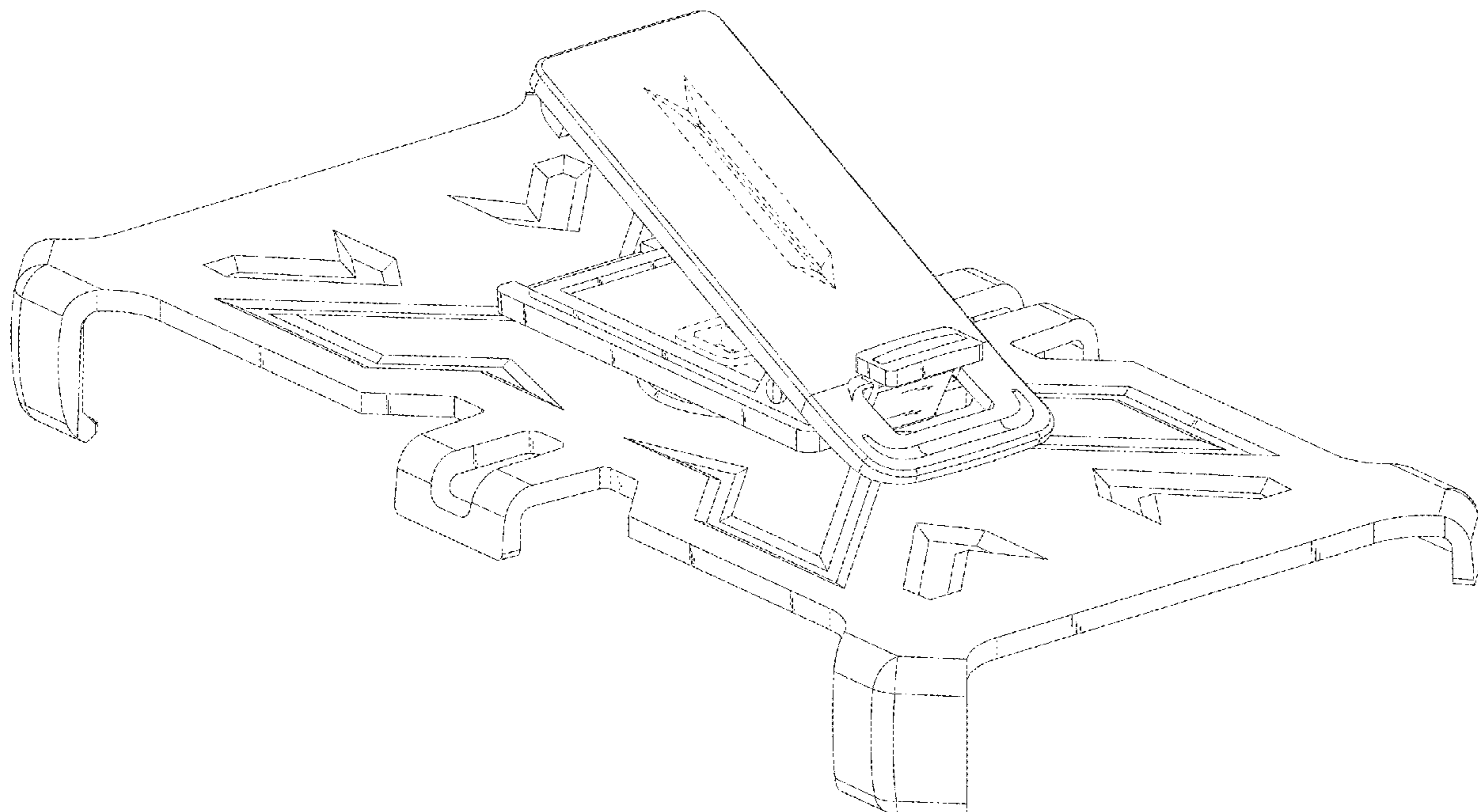
(57) **CLAIM**

The ornamental design for a mobile phone stand, as shown and described.

**DESCRIPTION**

FIG. 1 is a front and top perspective view of a mobile phone stand, showing my new design;  
FIG. 2 is a top view thereof;  
FIG. 3 is a left side elevation view thereof;  
FIG. 4 is a front elevation view thereof.  
FIG. 5 is a right side elevation view thereof;  
FIG. 6 is a rear elevation view thereof; and,  
FIG. 7 is a bottom view thereof.  
The broken lines in the figures illustrate portions of the mobile phone stand that form no part of the claimed design.

**1 Claim, 7 Drawing Sheets**



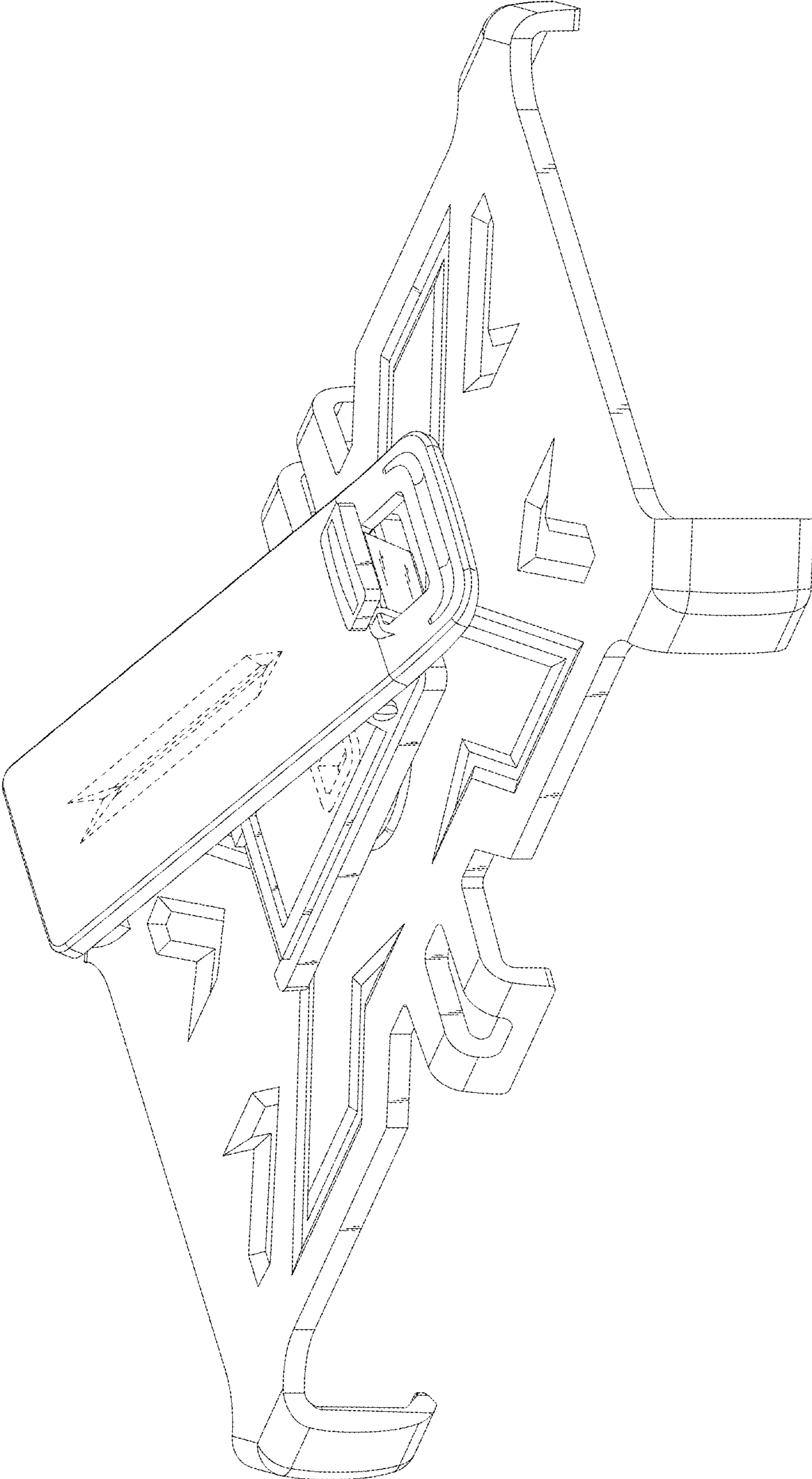


FIG. 1

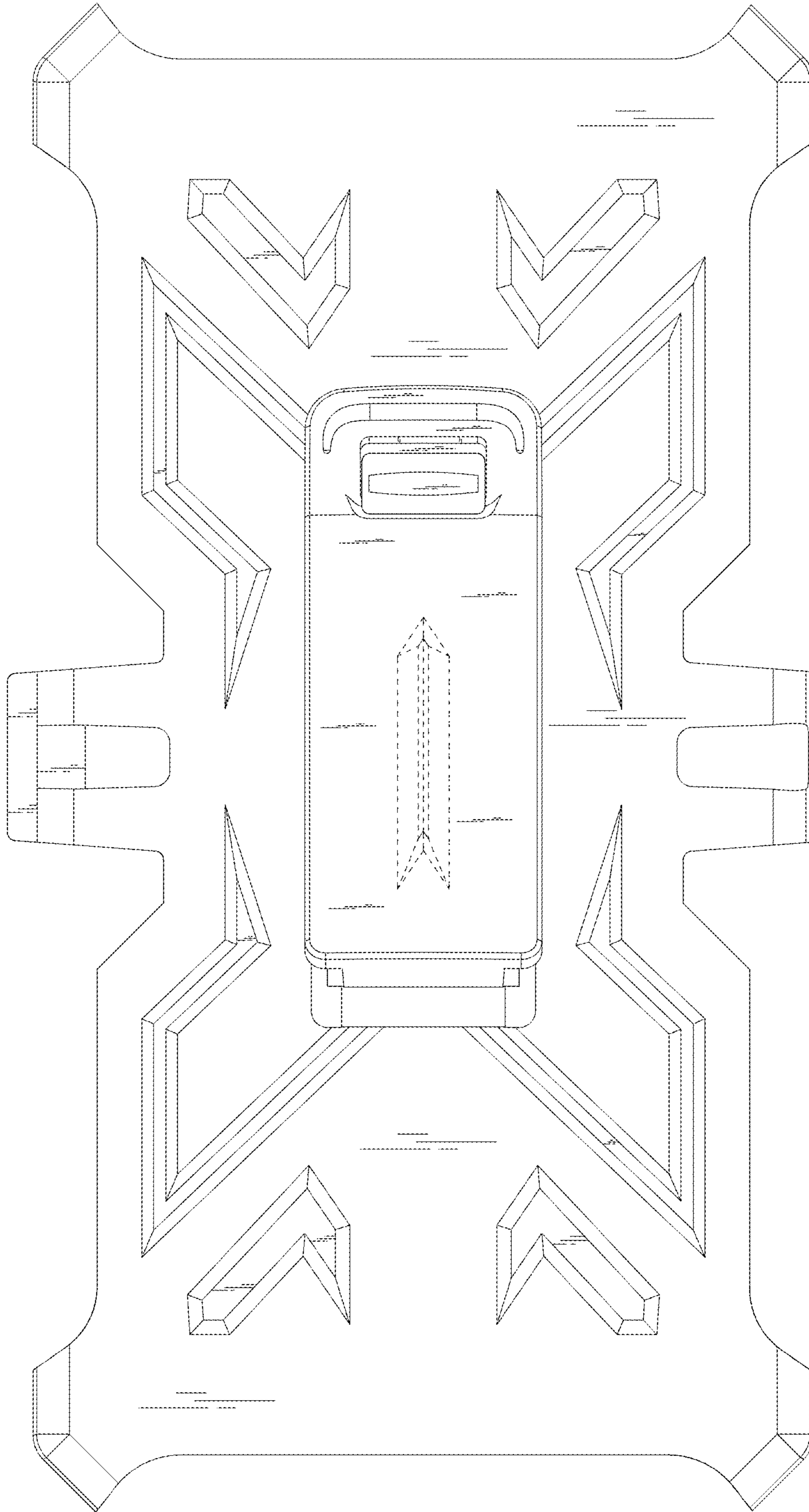


FIG. 2

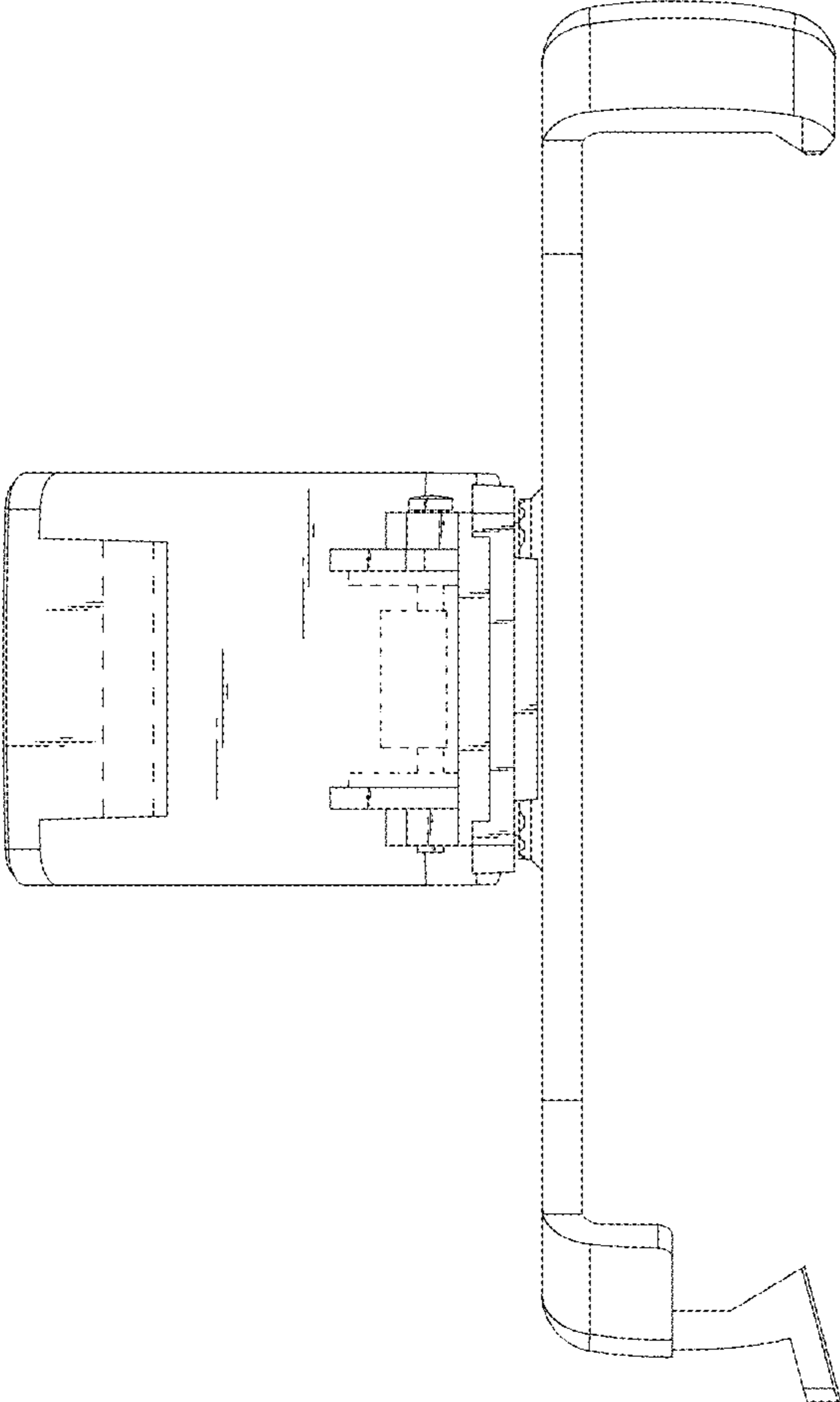


FIG. 3

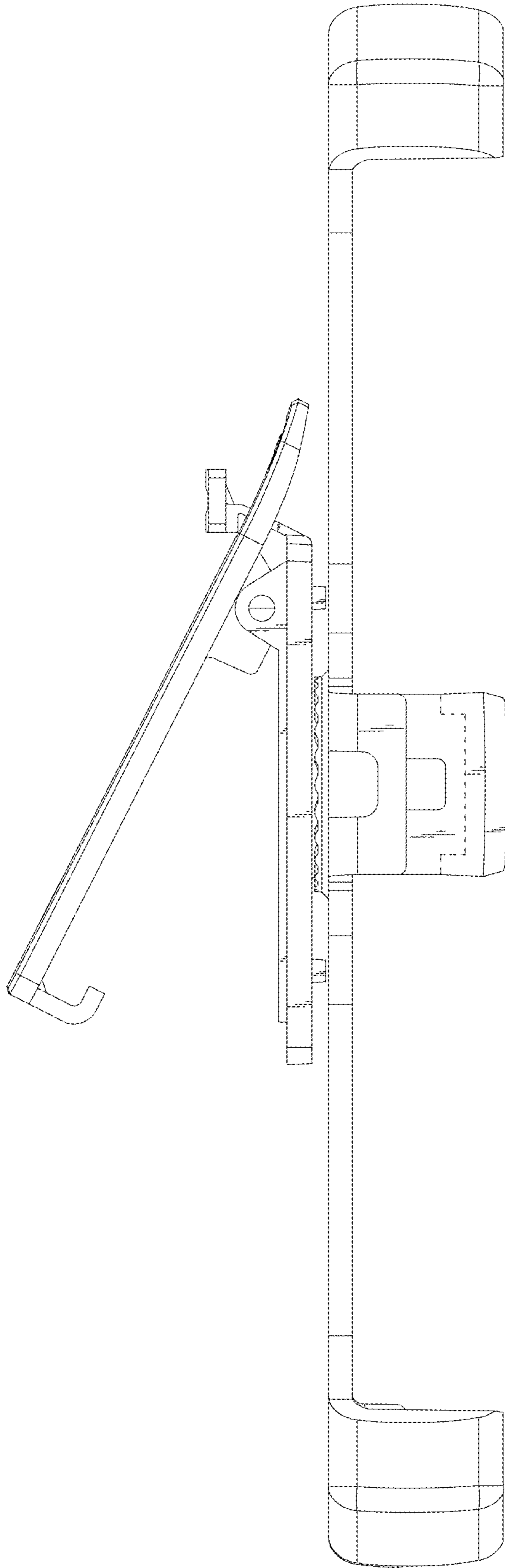


FIG. 4

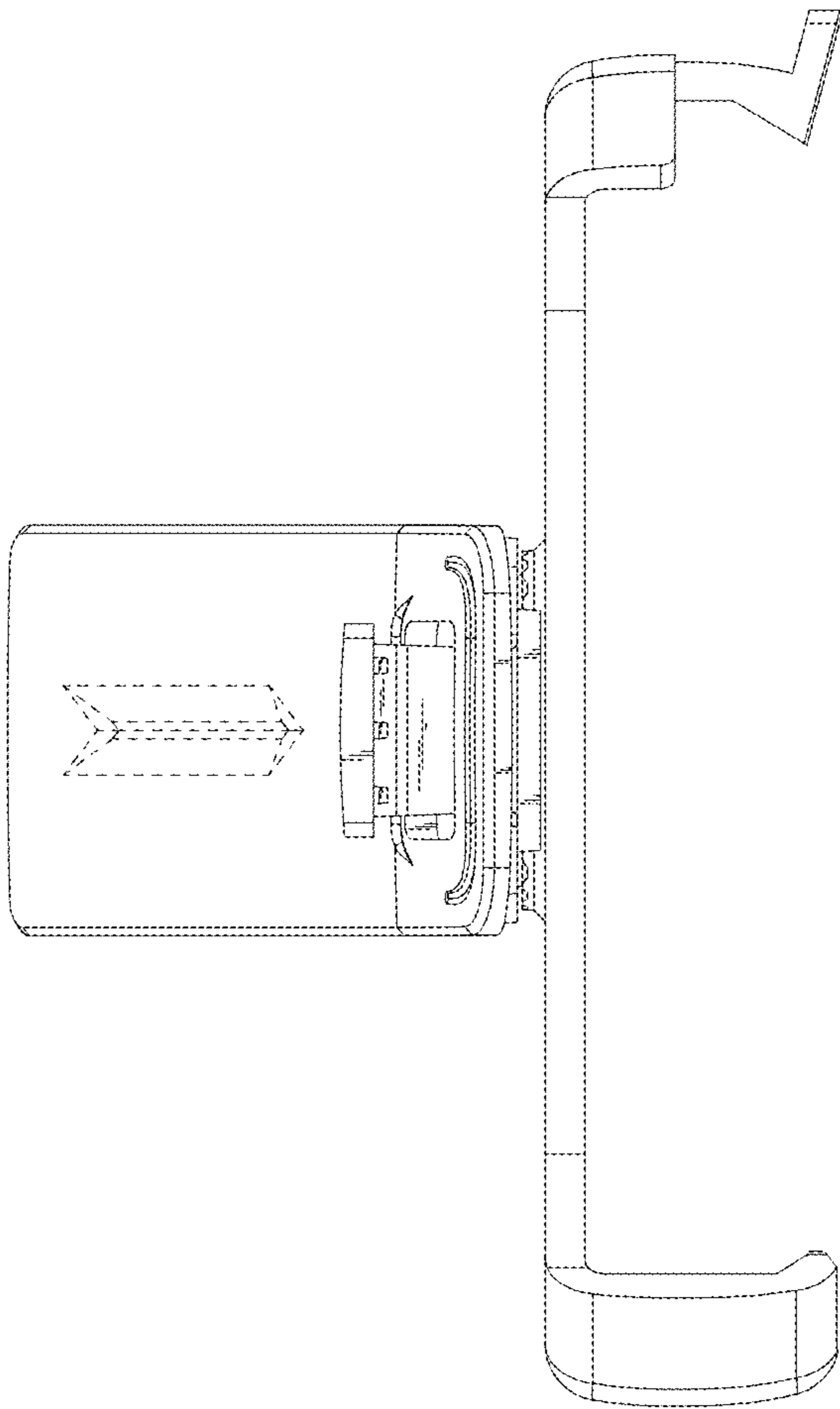


FIG. 5

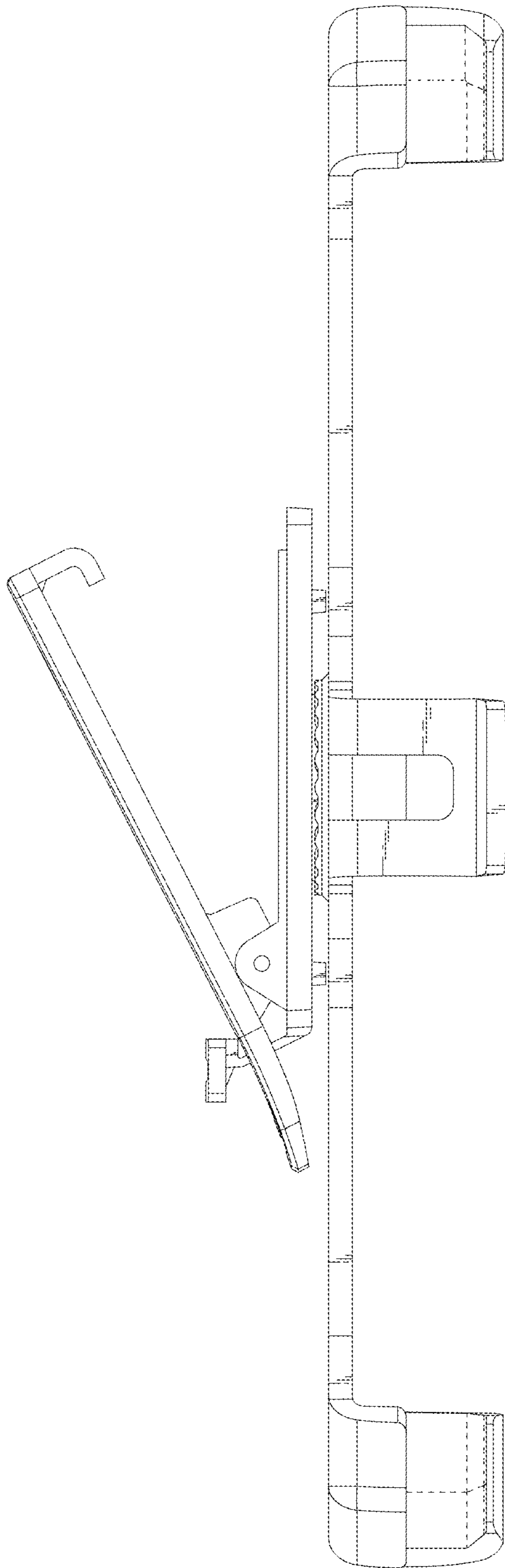


FIG. 6

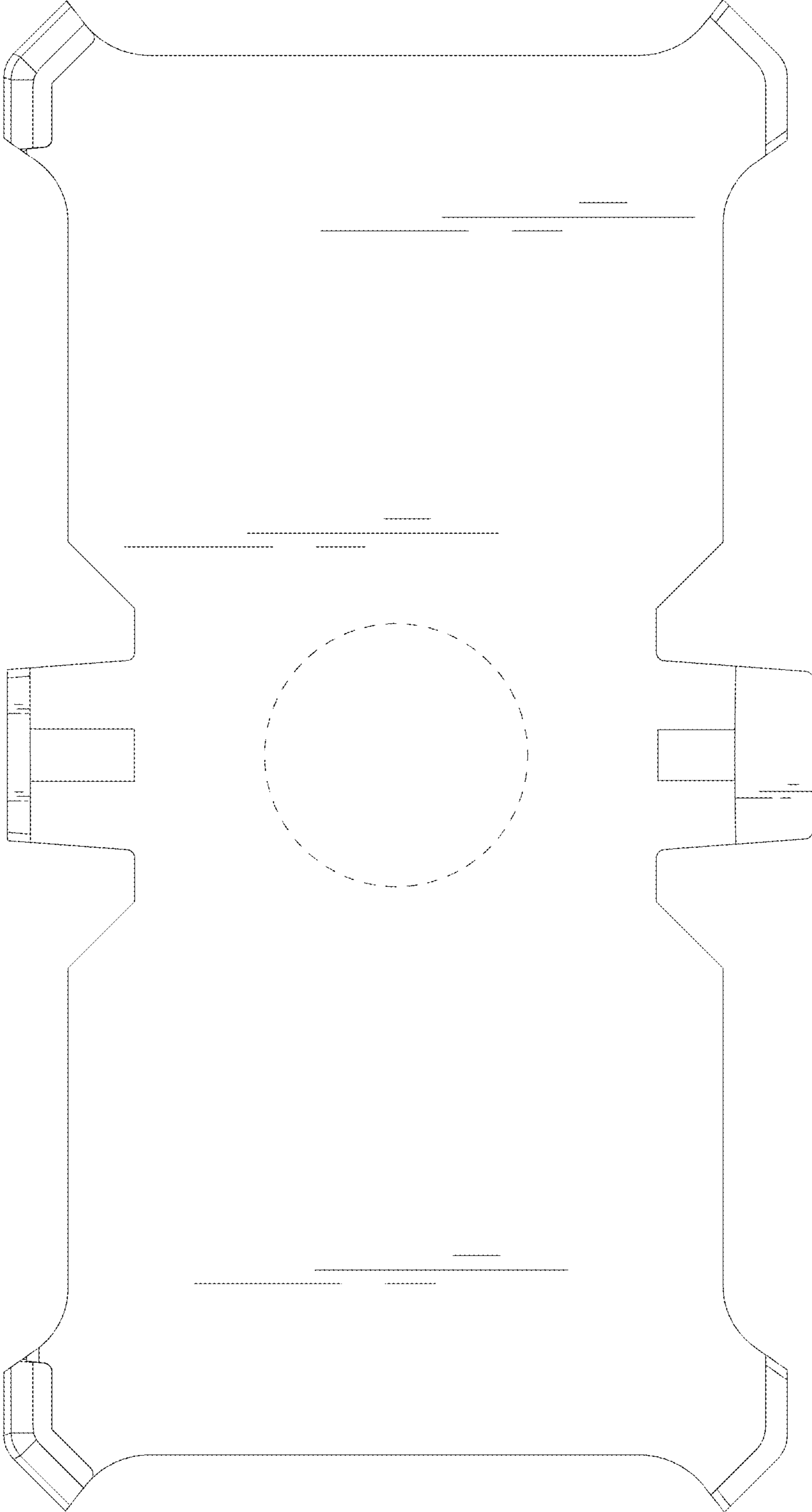


FIG. 7