



US00D961572S

(12) **United States Design Patent**
Philip et al.

(10) **Patent No.:** **US D961,572 S**
(45) **Date of Patent:** **** Aug. 23, 2022**

(54) **CASE FOR MOBILE DEVICE**

(71) Applicant: **CASE-MATE, INC.**, Atlanta, GA (US)

(72) Inventors: **Nitin Koshy Philip**, Atlanta, GA (US);
Saumil Chetan Mody, Atlanta, GA (US)

(73) Assignee: **CASE-MATE, INC.**, Atlanta, GA (US)

(**) Term: **15 Years**

(21) Appl. No.: **29/757,965**

(22) Filed: **Nov. 11, 2020**

(51) **LOC (13) Cl.** **14-03**

(52) **U.S. Cl.**
USPC **D14/250**

(58) **Field of Classification Search**
USPC D14/203.3–203.7, 439, 251–253, 447,
D14/217, 240, 238.1, 440, 248, 250;
D13/103, 107–108, 119; D3/201, 218,
D3/247, 249, 269, 273, 301, 303
CPC H04B 1/3888; A45C 11/00; A45C 13/02;
A45C 2011/002; A45C 1/06; A45F
2200/0525; A45F 2005/026; A45F
2200/0516; H04M 1/0283; H04M 1/0202
See application file for complete search history.

(56) **References Cited**

U.S. PATENT DOCUMENTS

6,435,690	B1	8/2002	Till	
7,212,839	B2	5/2007	Engstrom et al.	
7,683,470	B2	3/2010	Lee	
7,706,843	B2	4/2010	Kaplan	
7,943,952	B2	5/2011	Loh	
D657,782	S *	4/2012	Billar	D14/250
8,428,644	B1	4/2013	Harooni	
8,471,810	B2	6/2013	Kim	

(Continued)

FOREIGN PATENT DOCUMENTS

CN 2629364 Y 7/2004
CN 202233577 U 5/2012

(Continued)

OTHER PUBLICATIONS

Qin, Qian; “Dynamic Ambient Lighting for Mobile Devices”;
<https://www.youtube.com/watch?v=ct1GBNk2-rE>; Aug. 15, 2011;
1 pg.

(Continued)

Primary Examiner — Carla J Wright

(74) *Attorney, Agent, or Firm* — Gardner Groff &
Greenwald, PC

(57) **CLAIM**

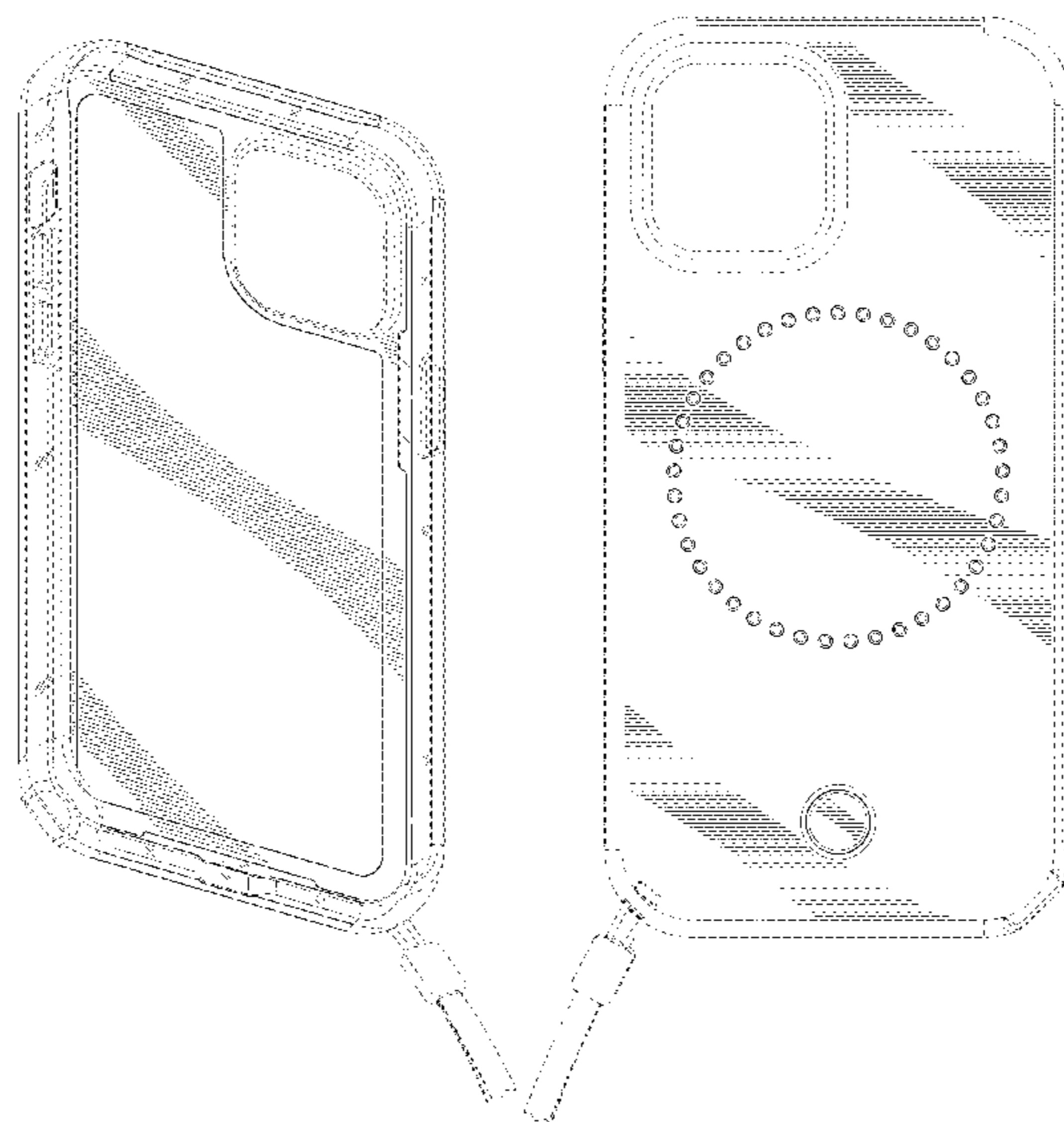
The ornamental design for a case for mobile device, sub-
stantially as shown and described.

DESCRIPTION

FIG. 1 is a back, left-side, and top perspective view of a case
for mobile device according to the design;
FIG. 2 is a front, bottom, and left-side perspective view of
the case for mobile device of FIG. 1;
FIG. 3 is a back view of the case for mobile device of FIG.
1;
FIG. 4 is a front view of the case for mobile device of FIG.
1;
FIG. 5 is a right-side view of the case for mobile device of
FIG. 1;
FIG. 6 is a left-side view of the case for mobile device of
FIG. 1;
FIG. 7 is a top view of the case for mobile device of FIG.
1; and,
FIG. 8 is a bottom view of the case for mobile device of FIG.
1.

The broken line portions of the drawing figures are included
to show portions of the article and environment that are not
part of the claimed design.

1 Claim, 5 Drawing Sheets



(56)

References Cited

U.S. PATENT DOCUMENTS

8,523,373 B2 9/2013 Li et al.
 8,529,094 B2 9/2013 Nakamura
 8,583,198 B1 11/2013 Coverstone
 D697,503 S * 1/2014 Melanson D14/250
 8,644,895 B2 2/2014 Heywood
 8,692,930 B2 4/2014 Rolston
 8,733,967 B2 5/2014 Kim
 D712,892 S * 9/2014 Hong D14/250
 8,917,506 B2 12/2014 Diebel
 8,954,117 B2 2/2015 Huang
 8,960,941 B2 2/2015 Tsai et al.
 D726,704 S * 4/2015 Park D14/250
 D735,184 S * 7/2015 Lee D14/250
 9,086,610 B2 7/2015 Shoemake
 9,197,273 B2 11/2015 Haleluk
 9,247,151 B2 1/2016 Rolston
 9,294,601 B2 3/2016 Hammond
 9,300,347 B1 3/2016 Coverstone
 9,306,611 B2 4/2016 Coverstone
 9,397,717 B2 7/2016 Curran
 9,402,452 B2 8/2016 Diebel
 9,426,266 B1 8/2016 Coverstone
 9,426,346 B2 * 8/2016 Sanchez A45C 15/04
 9,442,346 B2 9/2016 Gantz
 9,464,796 B2 10/2016 Shoemake
 9,467,608 B2 10/2016 Barros
 9,521,332 B2 12/2016 Rolston
 9,525,811 B2 * 12/2016 Moskovchenko G06V 10/56
 9,584,174 B1 2/2017 Coverstone
 D781,832 S * 3/2017 Snitko D14/250
 9,593,842 B2 3/2017 Shoemake
 9,596,393 B2 3/2017 Barros
 9,614,573 B2 4/2017 Ames
 9,674,325 B1 6/2017 Coverstone
 9,715,163 B2 7/2017 Williams
 9,723,122 B2 8/2017 Ghaffari
 9,726,960 B2 * 8/2017 Xu H04N 5/2256
 9,729,770 B2 8/2017 Barros
 9,740,083 B1 * 8/2017 Hennings H04N 5/2354
 9,756,160 B2 9/2017 Lo
 9,760,888 B2 9/2017 Landrock
 9,781,319 B2 10/2017 Barros
 9,797,592 B2 10/2017 Marcus
 9,800,084 B2 10/2017 Rybkiewicz
 D808,946 S * 1/2018 Mchatet D14/250
 9,925,390 B2 * 3/2018 Yehezkel H04M 1/185
 9,930,235 B2 3/2018 Gantz
 D821,380 S * 6/2018 Cramer D14/250
 10,003,370 B2 6/2018 Fathollahi
 10,003,724 B2 6/2018 Barros
 D828,829 S * 9/2018 Shoemake D14/250
 10,082,724 B2 9/2018 Hennings
 10,114,271 B2 10/2018 Hennings
 10,134,309 B2 11/2018 Nakamura
 10,187,558 B2 1/2019 Rolston

D849,732 S * 5/2019 Mischel D14/255
 10,313,568 B2 6/2019 Barros
 D854,531 S 7/2019 Shoemake
 10,375,284 B2 8/2019 Barros
 10,397,460 B2 8/2019 Gantz
 D863,281 S * 10/2019 Liu D14/250
 10,457,441 B2 10/2019 O'Neill
 10,495,946 B2 12/2019 Shoemake
 10,503,205 B2 12/2019 Spevak
 10,533,714 B2 1/2020 Rowles
 D885,375 S * 5/2020 Haskell D14/250
 D894,886 S * 9/2020 Kim D14/250
 D898,015 S * 10/2020 Kwak D14/250
 10,812,696 B2 10/2020 Gantz
 D901,481 S * 11/2020 Ahn D14/250
 D903,588 S 12/2020 Shoemake
 D903,647 S * 12/2020 Lin D14/250
 D905,680 S * 12/2020 Kim D14/250
 D908,120 S * 1/2021 Bai D14/250
 D918,888 S * 5/2021 Feng D14/250
 D929,984 S * 9/2021 Wu D14/250
 D938,406 S * 12/2021 Li D14/250
 2003/0096642 A1 5/2003 Bessa et al.
 2009/0027874 A1 1/2009 Chang
 2009/0231248 A1 9/2009 Dorff et al.
 2010/0178954 A1 7/2010 Stathis
 2011/0267819 A1 11/2011 Huang et al.
 2011/0287726 A1 11/2011 Huang
 2012/0154119 A1 6/2012 Schepps
 2013/0201653 A1 * 8/2013 Shoemake G06F 1/1626
 362/249.05
 2014/0055978 A1 * 2/2014 Gantz H04N 5/232935
 362/458
 2014/0340573 A1 11/2014 Clawson
 2015/0050965 A1 2/2015 Perry
 2015/0153500 A1 6/2015 Maeda
 2015/0263777 A1 9/2015 Fraden
 2016/0309009 A1 10/2016 Haskell
 2016/0367194 A1 12/2016 Murphy
 2017/0324438 A1 11/2017 Mischel
 2018/0135815 A1 5/2018 Rowles
 2018/0359376 A1 12/2018 Krause
 2019/0120479 A1 4/2019 Haskell
 2019/0121392 A1 4/2019 Spevak
 2020/0021725 A1 1/2020 Gantz

FOREIGN PATENT DOCUMENTS

KR 200303644 Y1 2/2003
 WO 2006043159 A1 4/2006
 WO 2010128702 A1 11/2010

OTHER PUBLICATIONS

Thyrtan; "iPhone 5 Design Also Features LED Notifications"; Jun. 16, 2011; 1 pg.

* cited by examiner

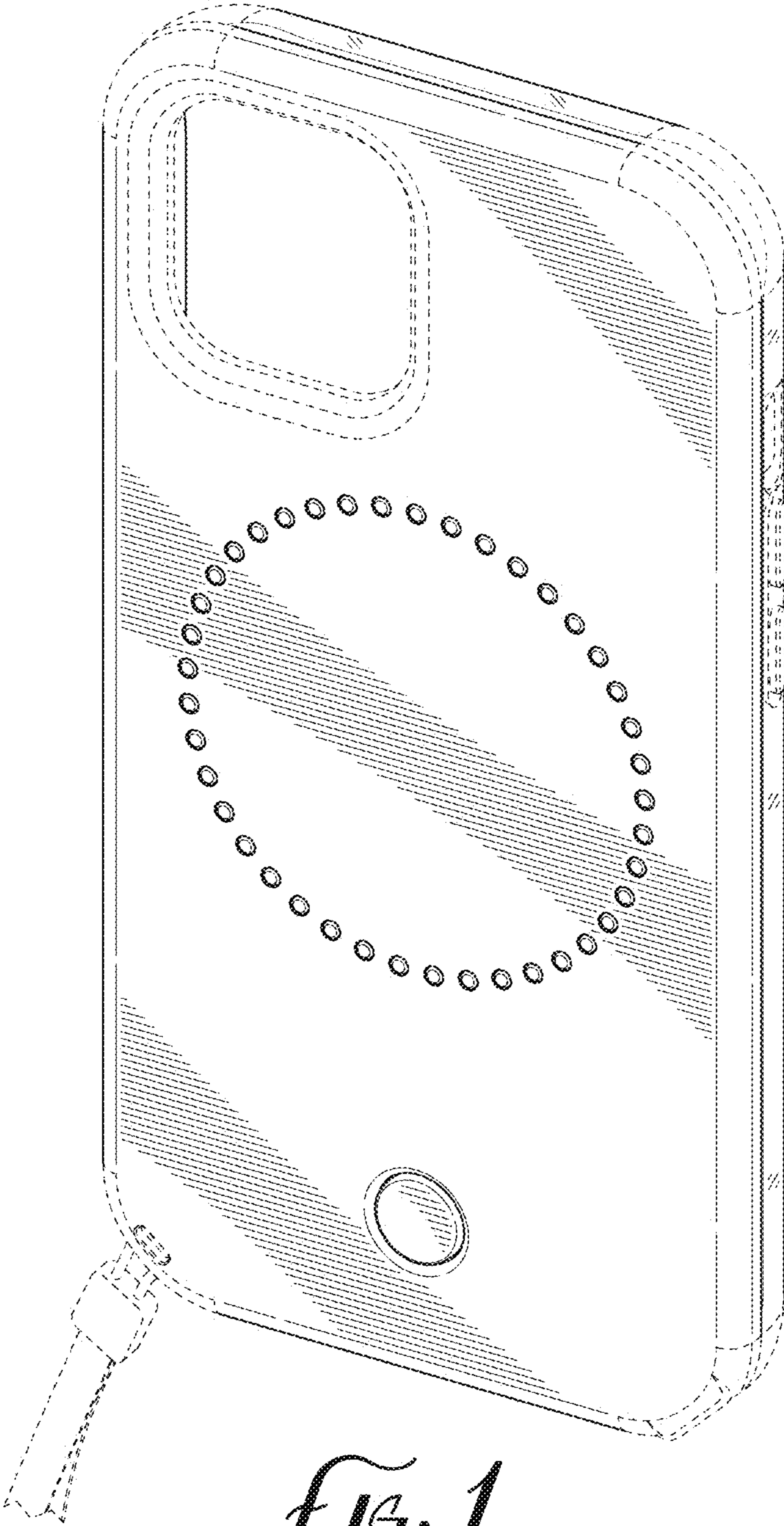


FIG. 1

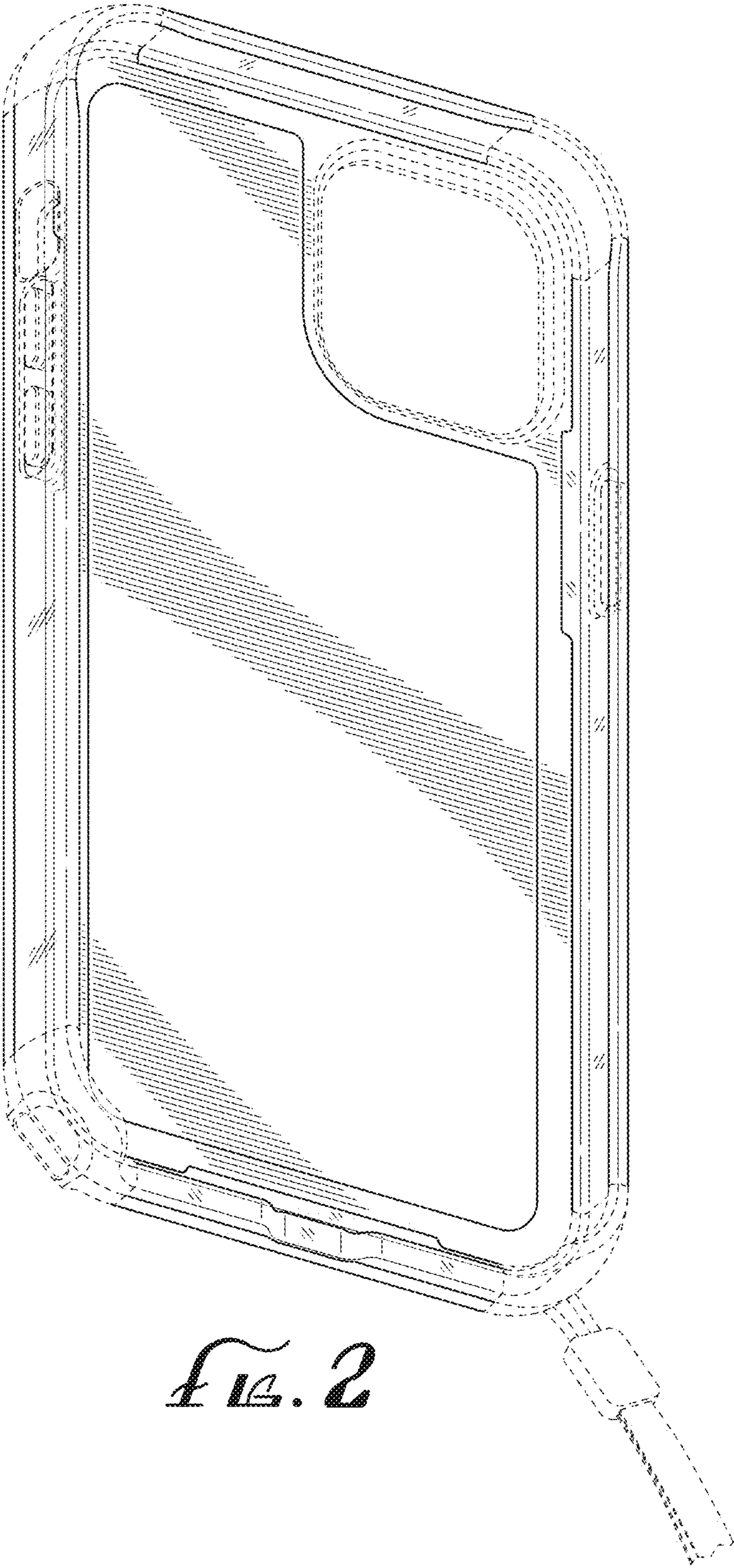


FIG. 2

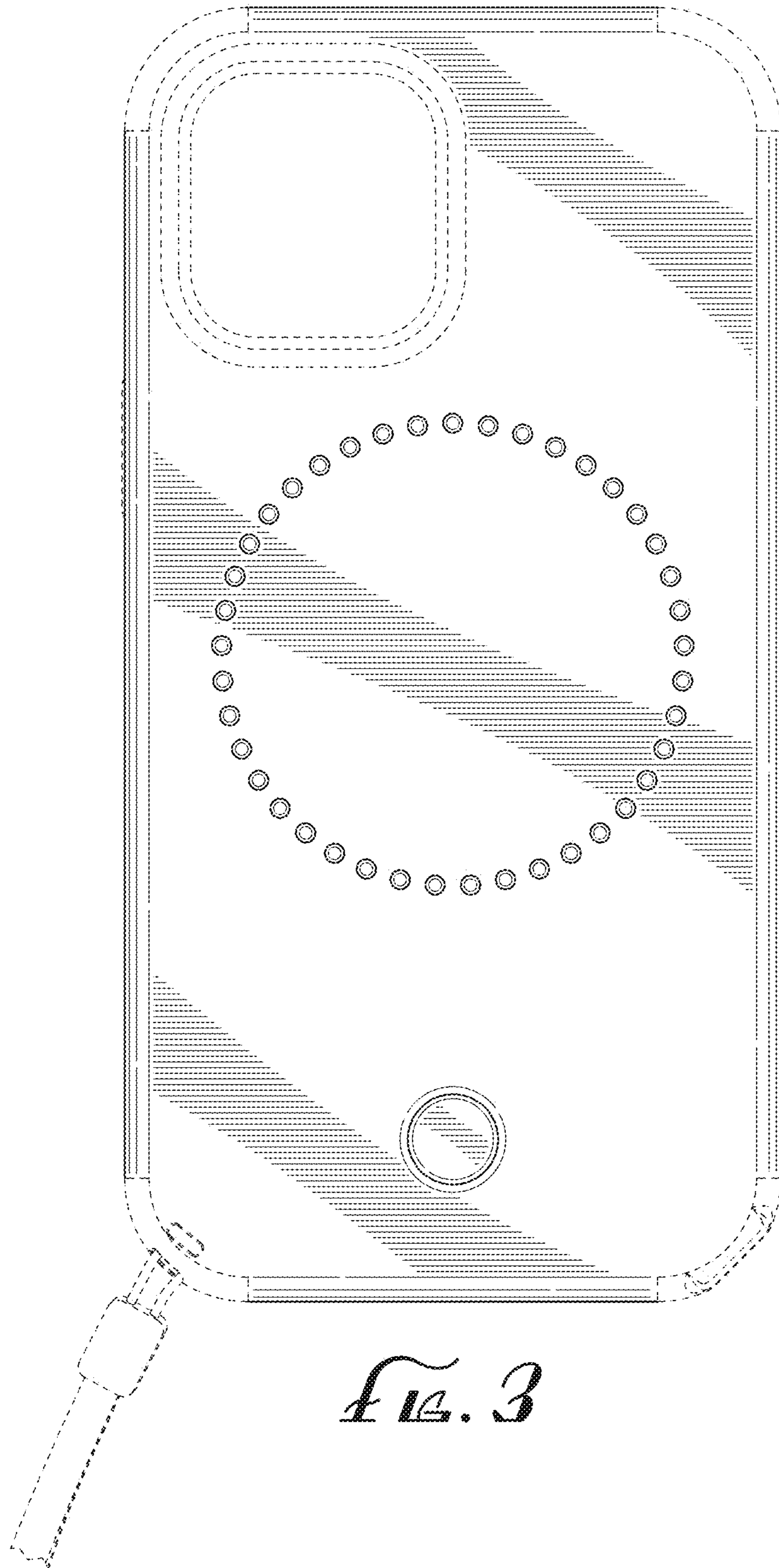


FIG. 3

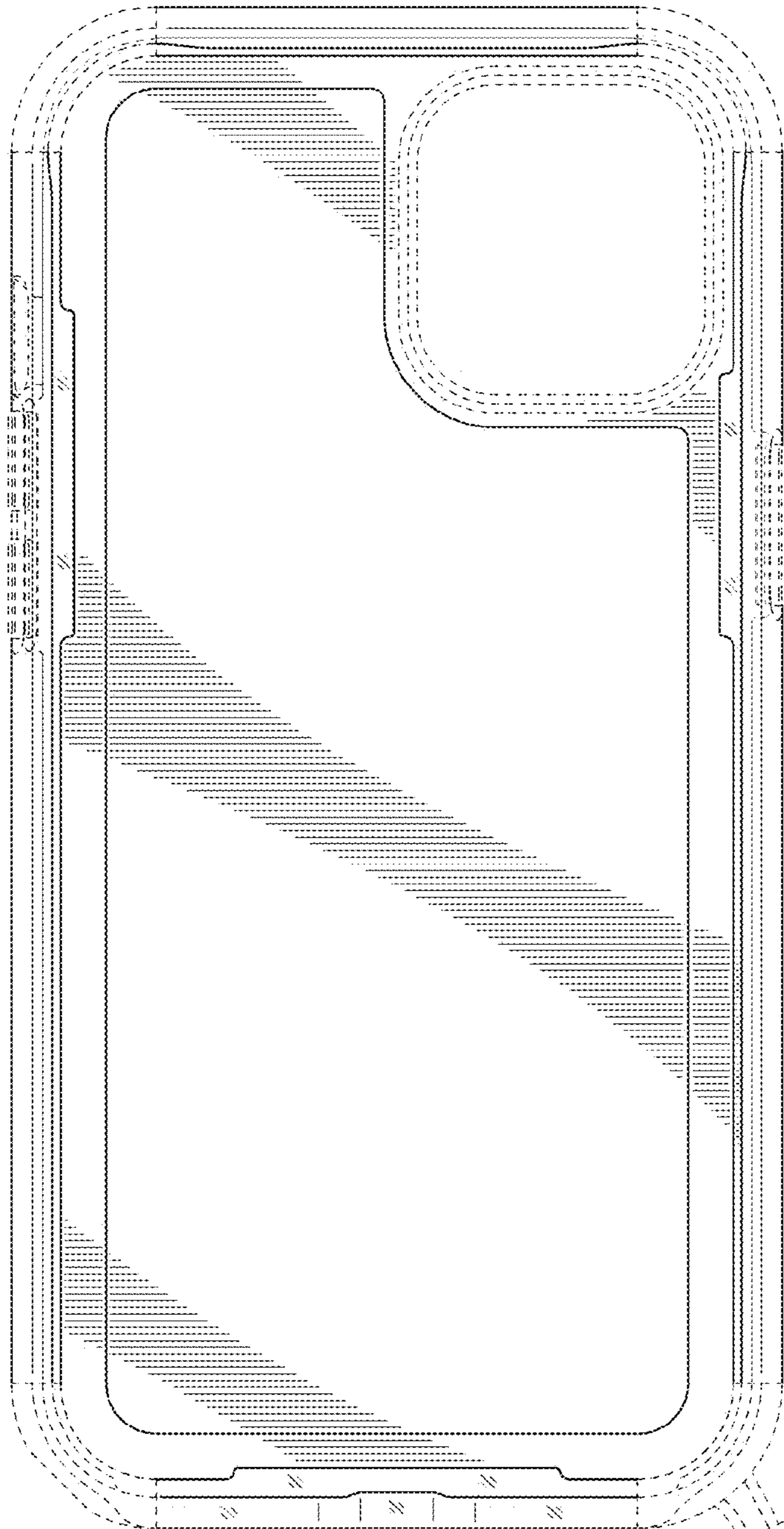


FIG. 4

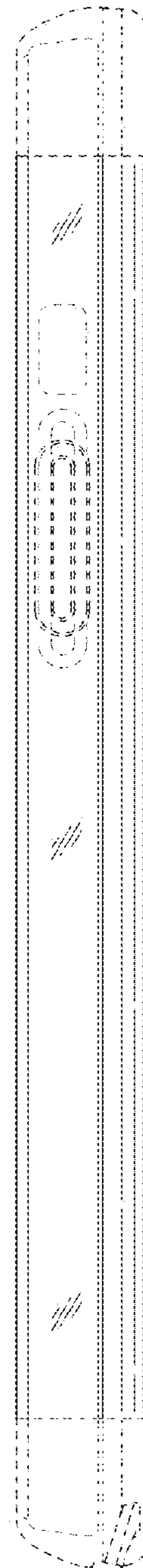


FIG. 5

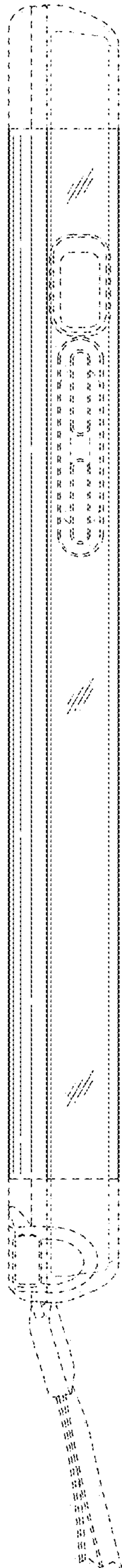


FIG. 6

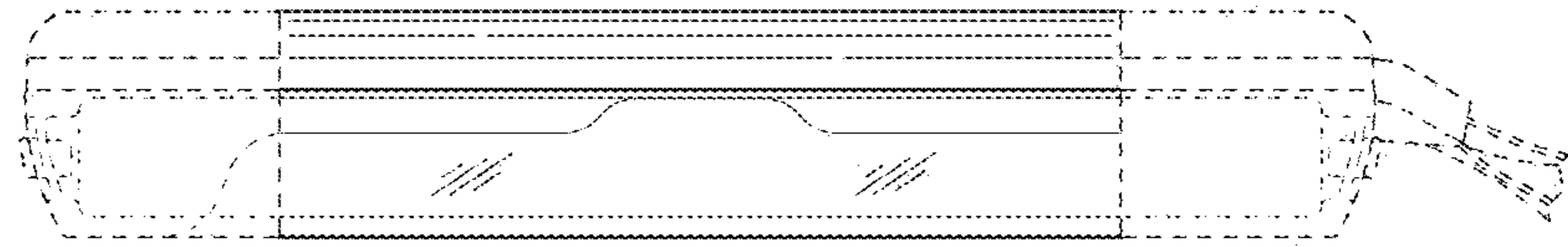


FIG. 7

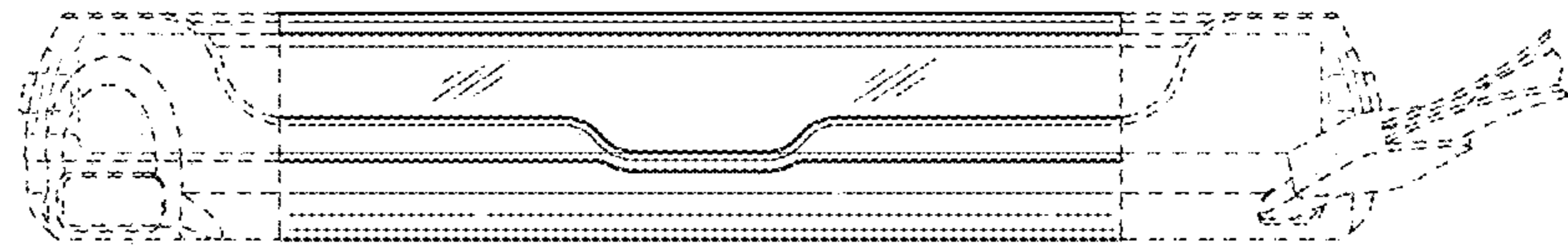


FIG. 8