



US00D961566S

(12) **United States Design Patent**
Park et al.

(10) **Patent No.:** **US D961,566 S**

(45) **Date of Patent:** **** *Aug. 23, 2022**

(54) **ELECTRONIC DEVICE**

(71) Applicant: **Samsung Electronics Co., Ltd.**,
Suwon-si (KR)

(72) Inventors: **Hyoung Shin Park**, Suwon-si (KR);
Seung Ho Jang, Suwon-si (KR); **Dong**
Kyun Kim, Suwon-si (KR); **Seon**
Keun Park, Suwon-si (KR); **Chang**
Sin Cho, Suwon-si (KR)

(73) Assignee: **Samsung Electronics Co., Ltd.**,
Suwon-si (KR)

(*) Notice: This patent is subject to a terminal dis-
claimer.

(**) Term: **15 Years**

(21) Appl. No.: **29/737,445**

(22) Filed: **Jun. 9, 2020**

Related U.S. Application Data

(62) Division of application No. 29/676,975, filed on Jan.
16, 2019, now Pat. No. Des. 890,737.

(30) **Foreign Application Priority Data**

Jul. 23, 2018 (KR) 30-2018-0033901
Jul. 23, 2018 (KR) 30-2018-0033902

(51) **LOC (13) Cl.** **14-03**

(52) **U.S. Cl.**
USPC **D14/248**

(58) **Field of Classification Search**

USPC .. D14/138 G, 248, 341, 439, 432, 345, 371,
D14/374, 138 R, 138 AA, 138 AB,
D14/138 AC, 138 AD, 138 C

(Continued)

(56) **References Cited**

U.S. PATENT DOCUMENTS

D577,704 S 9/2008 Park et al.
D579,902 S 11/2008 Kim et al.

(Continued)

OTHER PUBLICATIONS

Samsung Galaxy S10 G5, announced Feb. 2019, [online], [retrieved
on May 22, 2019]. Retrieved from Internet, <URL:http://www.
gsmarena.com>.

(Continued)

Primary Examiner — Bridget L Eland

(74) *Attorney, Agent, or Firm* — NSIP Law

(57) **CLAIM**

We claim the ornamental design for an electronic device, as
shown and described.

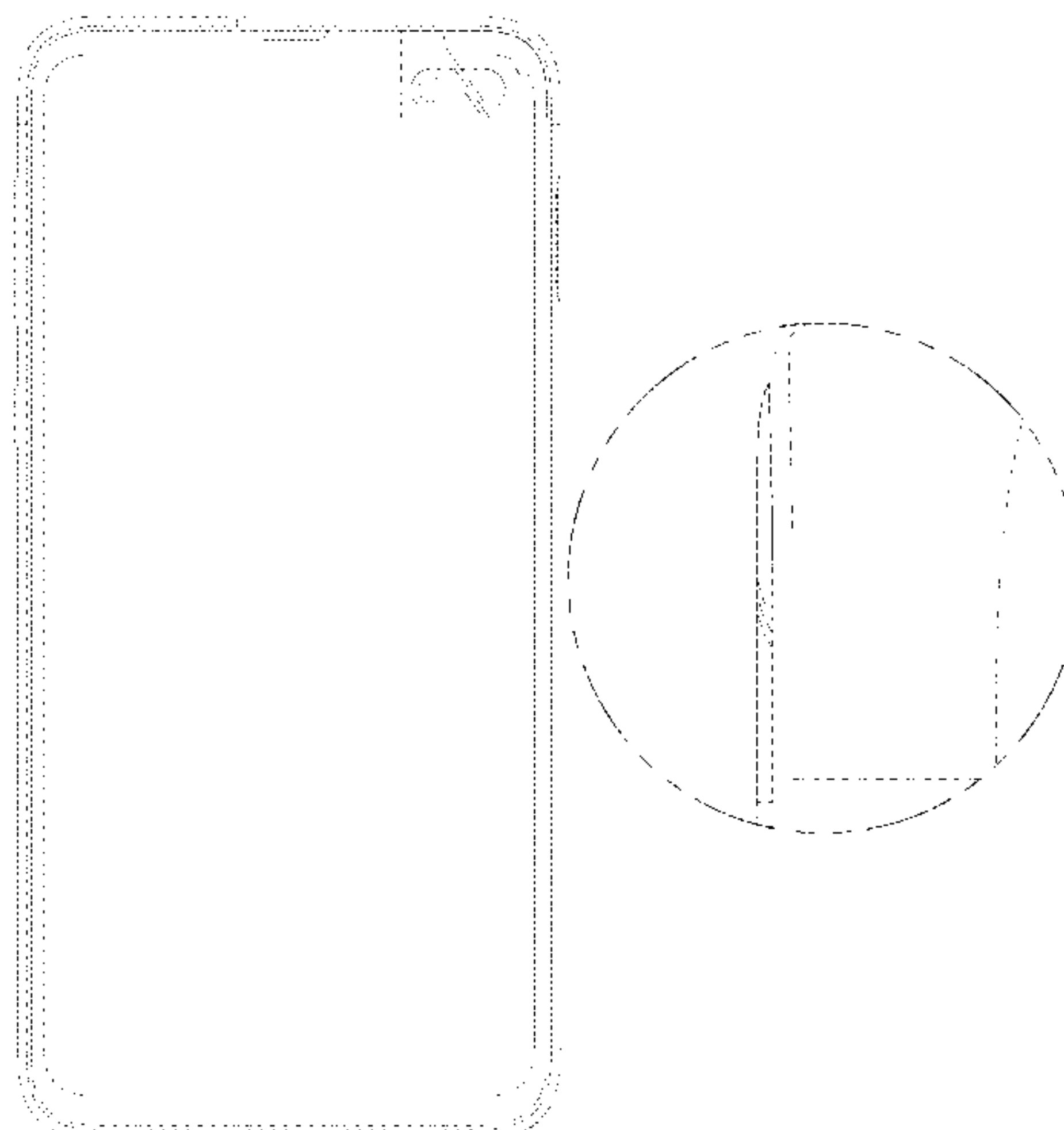
DESCRIPTION

FIG. 1 is a front perspective view of an electronic device
showing our new design according to a first embodiment;
FIG. 2 is a front view thereof;
FIG. 3 is a rear view thereof;
FIG. 4 is a left-side view thereof;
FIG. 5 is a right-side view thereof;
FIG. 6 is a top view thereof;
FIG. 7 is a bottom view thereof;
FIG. 8 is an enlarged view of the encircled portion in FIG.
5;

FIG. 9 is an enlarged view of the encircled portion in FIG.
6;
FIG. 10 is a front perspective view of an electronic device
showing our new design according to a second embodiment;
FIG. 11 is a front view thereof;
FIG. 12 is a rear view thereof;
FIG. 13 is a left-side view thereof;
FIG. 14 is a right-side view thereof;
FIG. 15 is a top view thereof;
FIG. 16 is a bottom view thereof;
FIG. 17 is an enlarged view of the encircled portion in FIG.
13; and,
FIG. 18 is an enlarged view of the encircled portion in FIG.
15.

The broken lines in the figures depict portions of the
electronic device which form no part of the claimed design.
The dot-dash broken lines in the figures represent boundar-
ies of the claimed design and form no part thereof. The

(Continued)



dot-dot-dash broken lines encircling portions of the claimed design that are illustrated in enlargements form no part of the claimed design.

1 Claim, 18 Drawing Sheets

(58) Field of Classification Search

CPC H04M 1/0202; H04M 1/0235; H04M 1/0237; H04M 1/0239; H04M 1/0266; H04M 1/0268; H04M 1/027; H04M 1/0295

See application file for complete search history.

(56) References Cited

U.S. PATENT DOCUMENTS

D584,708 S	1/2009	Wu et al.	
D585,416 S	1/2009	Kim	
D589,487 S	3/2009	Park et al.	
D592,168 S	5/2009	Bai et al.	
D607,865 S	1/2010	Lee et al.	
D620,469 S	7/2010	Chang	
D645,015 S	9/2011	Lee et al.	
D656,118 S	3/2012	Kim et al.	
D657,329 S	4/2012	Son	
D663,709 S	7/2012	Kim et al.	
D695,255 S	12/2013	Kim	
D700,164 S	2/2014	Park et al.	
D710,815 S	* 8/2014	Kim	D14/138 G
D783,565 S	4/2017	Kim et al.	
D783,566 S	4/2017	Kim et al.	
D797,726 S	9/2017	Lee et al.	
D800,681 S	10/2017	Kim et al.	
D803,176 S	11/2017	Cho et al.	
D841,611 S	2/2019	Kim et al.	
D845,287 S	4/2019	Lee et al.	
D846,539 S	4/2019	Choe et al.	
D847,776 S	5/2019	Ryu et al.	
D849,706 S	5/2019	Park et al.	
D849,708 S	5/2019	Park et al.	
D854,508 S	7/2019	Park et al.	
D854,526 S	7/2019	Choi et al.	
D857,643 S	8/2019	Choi et al.	
D861,630 S	10/2019	Chiang et al.	
D864,934 S	* 10/2019	Park	D14/248
D865,732 S	11/2019	Park et al.	
D865,733 S	11/2019	Park et al.	
D865,734 S	11/2019	Park et al.	
D865,735 S	11/2019	Park et al.	
D865,737 S	11/2019	Park et al.	
D865,738 S	11/2019	Park et al.	
D866,496 S	11/2019	Kim et al.	
D866,499 S	* 11/2019	Shin	D14/138 G
D866,540 S	11/2019	Park et al.	
D866,541 S	11/2019	Park et al.	
D866,542 S	11/2019	Park et al.	
D867,317 S	11/2019	Ha et al.	
D867,351 S	11/2019	Park et al.	

D868,763 S	12/2019	Kim et al.	
D869,452 S	12/2019	Kim et al.	
D870,088 S	12/2019	Kim et al.	
10,530,911 B2	1/2020	Bao	
D890,737 S	* 7/2020	Park	D14/248
D892,780 S	* 8/2020	Park	D14/248
D892,781 S	* 8/2020	Park	D14/248
D894,858 S	* 9/2020	Park	D14/138 G
D894,859 S	* 9/2020	Park	D14/138 G
D894,885 S	* 9/2020	Park	D14/248
D904,368 S	* 12/2020	Seo	D14/248
D907,610 S	* 1/2021	Park	D14/248
D907,615 S	* 1/2021	Kim	D14/248
D908,117 S	* 1/2021	Park	D14/248
D910,002 S	* 2/2021	Seo	D14/248
D910,610 S	* 2/2021	Seo	D14/248
D911,997 S	* 3/2021	Seo	D14/138 G
D912,000 S	* 3/2021	Seo	D14/138 G
D912,003 S	* 3/2021	Seo	D14/138 G
D915,368 S	* 4/2021	Park	D14/248
D916,065 S	* 4/2021	Park	D14/248
D916,674 S	* 4/2021	Seo	D14/138 G
D916,677 S	* 4/2021	Seo	D14/138 G
D920,305 S	* 5/2021	Seo	D14/248
D920,310 S	* 5/2021	Seo	D14/248
D920,311 S	* 5/2021	Seo	D14/248
D920,315 S	* 5/2021	Seo	D14/248
D920,316 S	* 5/2021	Seo	D14/248
D925,486 S	* 7/2021	Seo	D14/138 G
D926,172 S	* 7/2021	Seo	D14/248
D926,173 S	* 7/2021	Seo	D14/248
D929,357 S	* 8/2021	Guo	D14/138 G
D929,977 S	* 9/2021	Park	D14/248
D931,248 S	* 9/2021	Seo	D14/138 G
D931,824 S	* 9/2021	Park	D14/138 G
D931,843 S	* 9/2021	Park	D14/248
D934,213 S	* 10/2021	Seo	D14/248
D934,214 S	* 10/2021	Seo	D14/248
D936,028 S	* 11/2021	Yi	D14/138 G
D936,642 S	* 11/2021	Hyung	D14/248
2011/0186345 A1	8/2011	Pakula et al.	
2013/0058039 A1	3/2013	Lee	
2019/0305403 A1	10/2019	Wang et al.	
2019/0312964 A1	10/2019	Haiberger	

OTHER PUBLICATIONS

Samsung Galaxy S10+, announced Feb. 2019, [online], [retrieved on May 22, 2019]. Retrieved from Internet, <URL:http://www.gsmarena.com>.

Samsung Galaxy S10e, announced Feb. 2019, [online], [retrieved on May 22, 2019]. Retrieved from Internet, <URL:http://www.gsmarena.com>.

Nokia X71, announced Apr. 2019, [online], [retrieved on May 22, 2019]. Retrieved from Internet, <URL:http://www.gsmarena.com>.

Motorola One Vision, announced May 2019, [online], [retrieved on May 22, 2019]. Retrieved from Internet, <URL:http://www.gsmarena.com>.

Honor 20, announced May 2019, [online], [retrieved on May 22, 2019]. Retrieved from Internet, <URL:http://www.gsmarena.com>.

* cited by examiner

FIG. 1

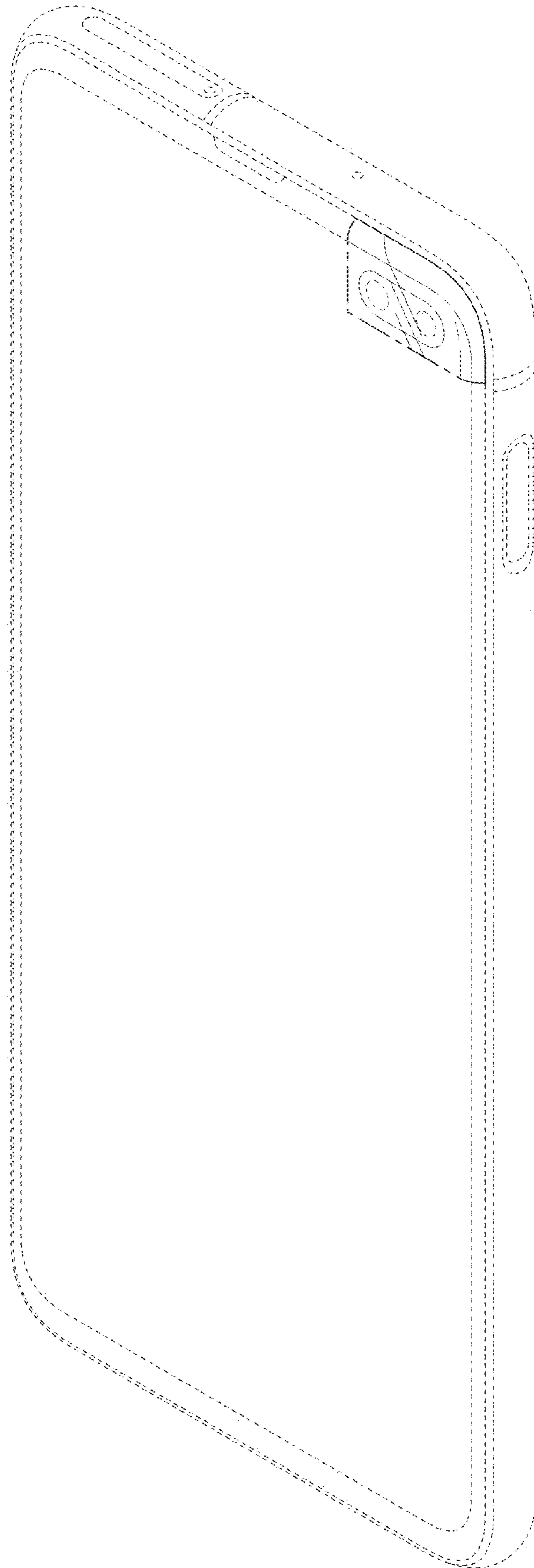


FIG. 2

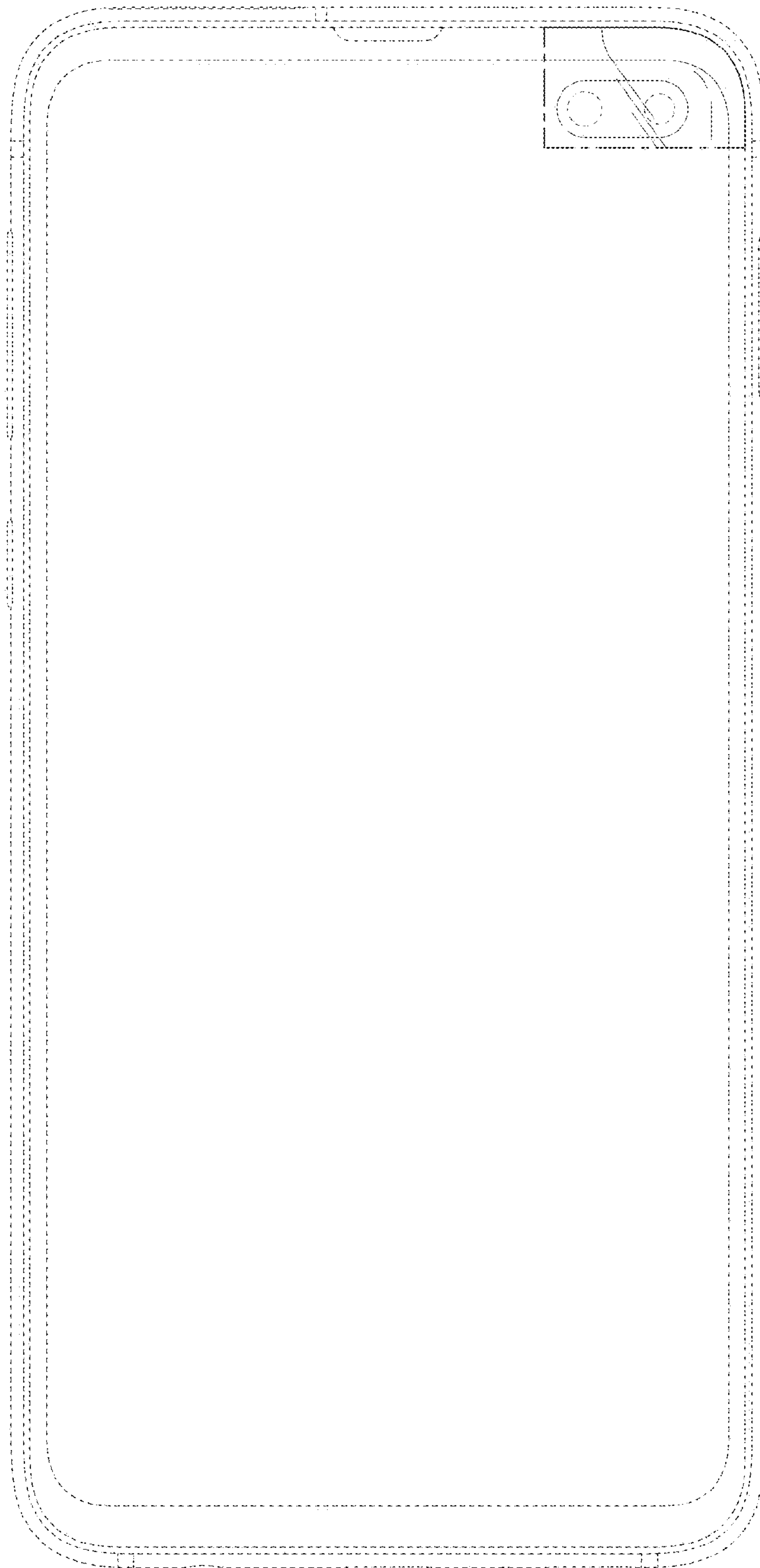


FIG. 3

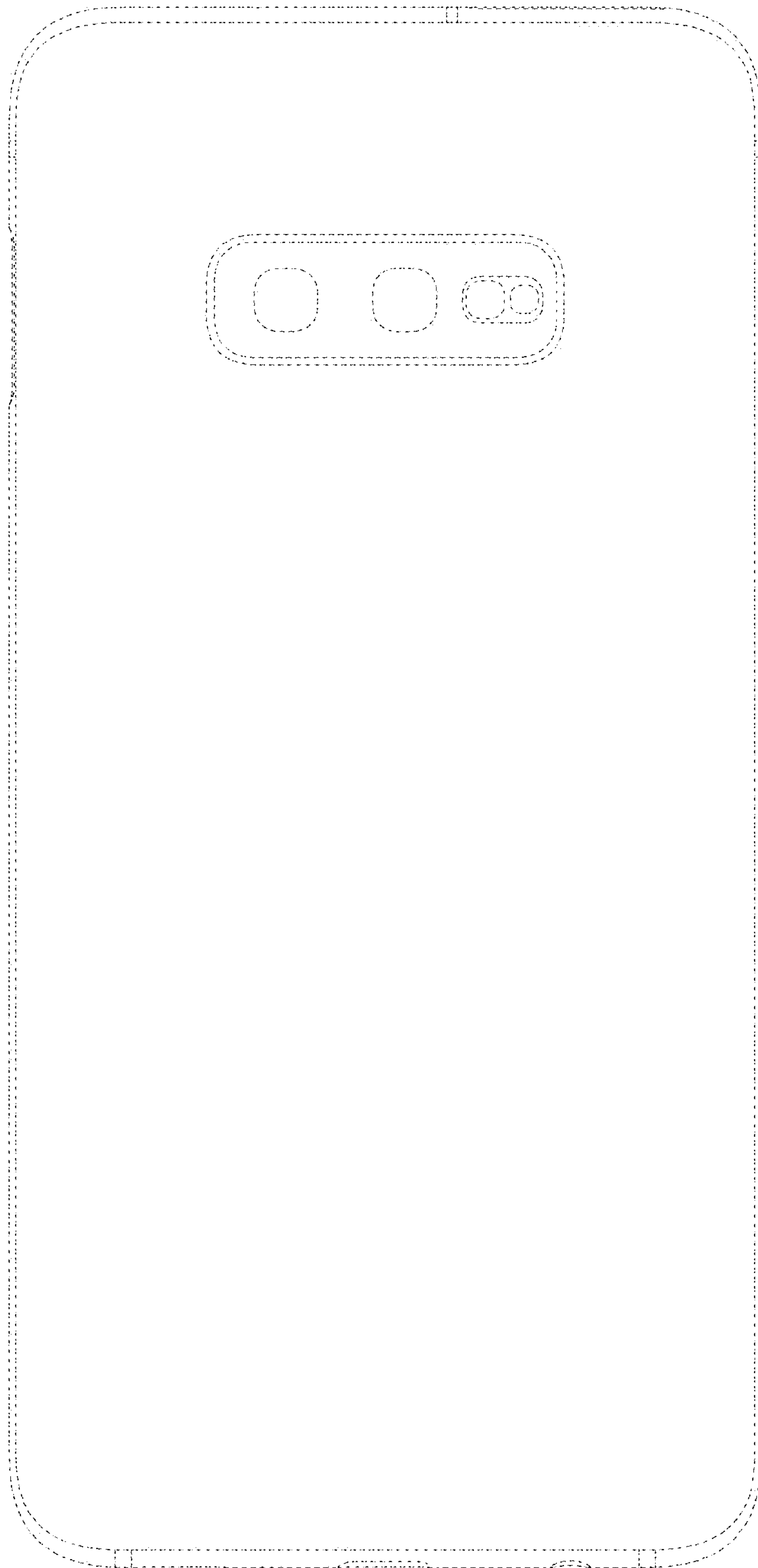


FIG. 4

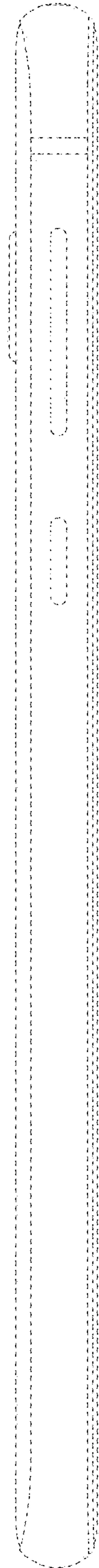


FIG. 5

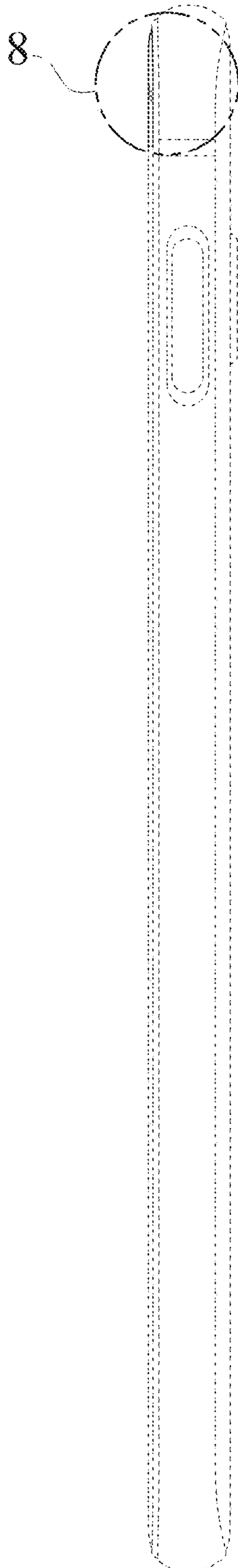


FIG. 6

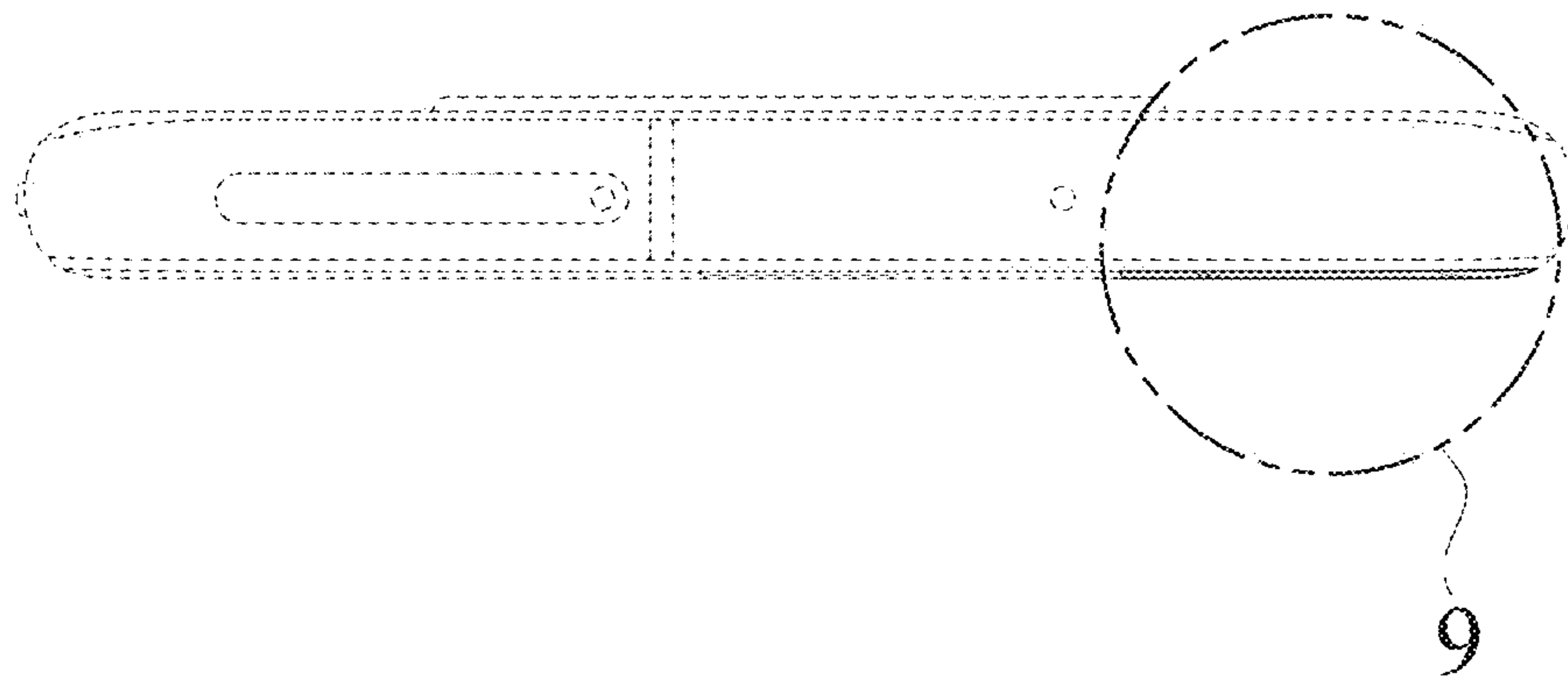


FIG. 7

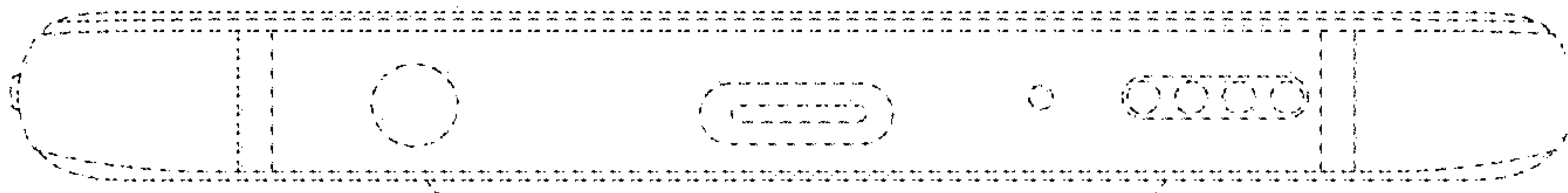


FIG. 8

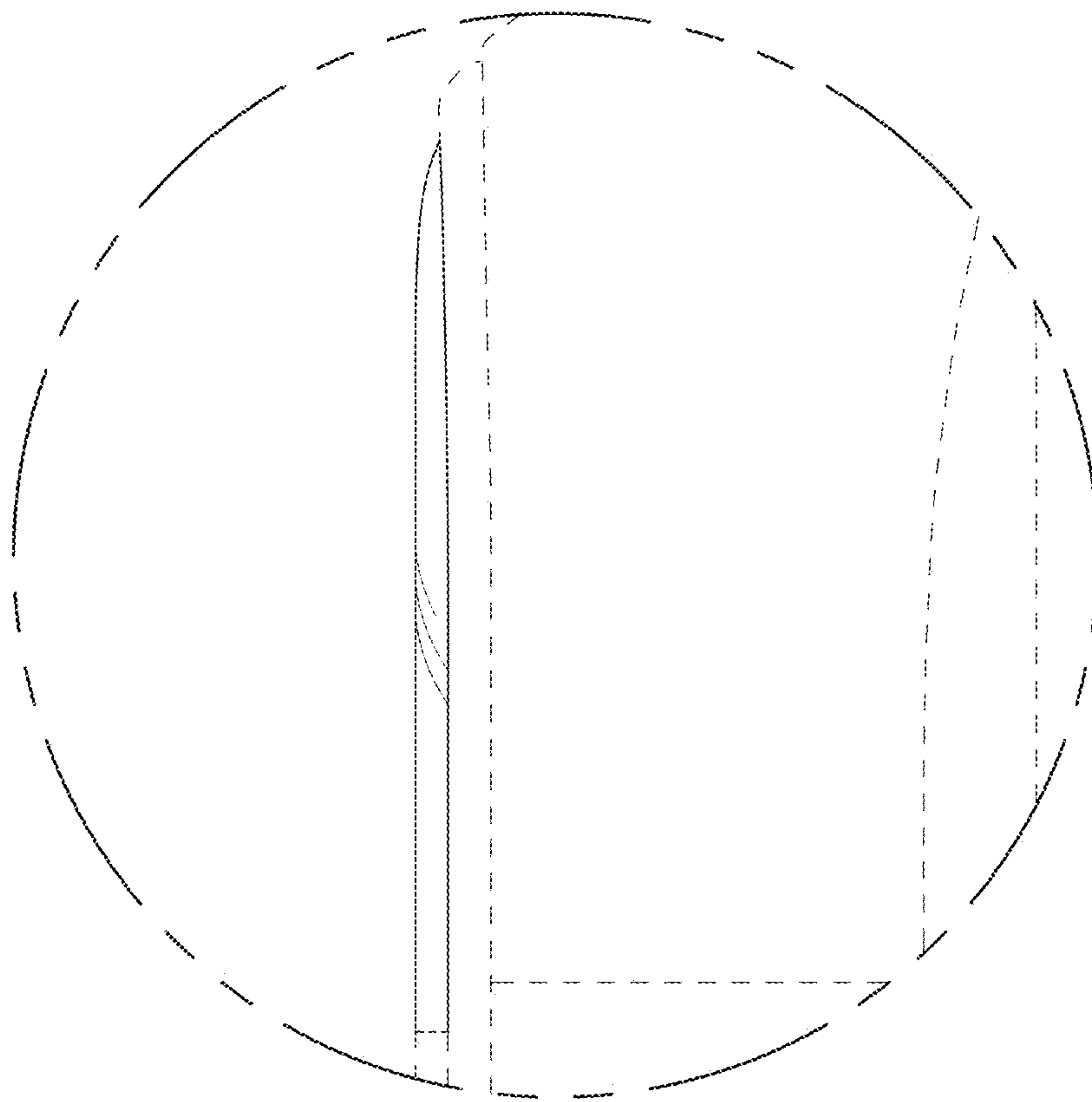


FIG.9

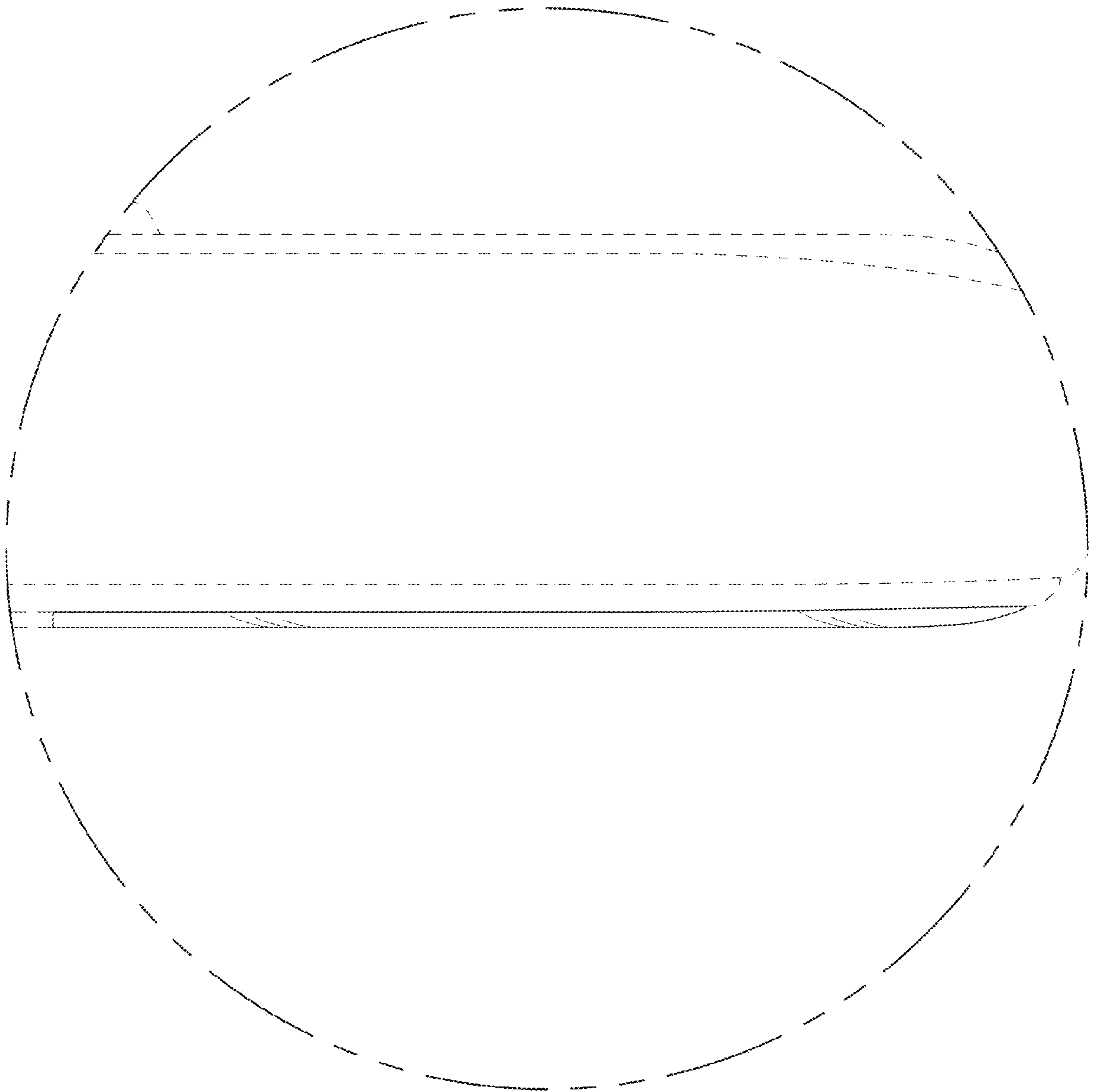


FIG. 10

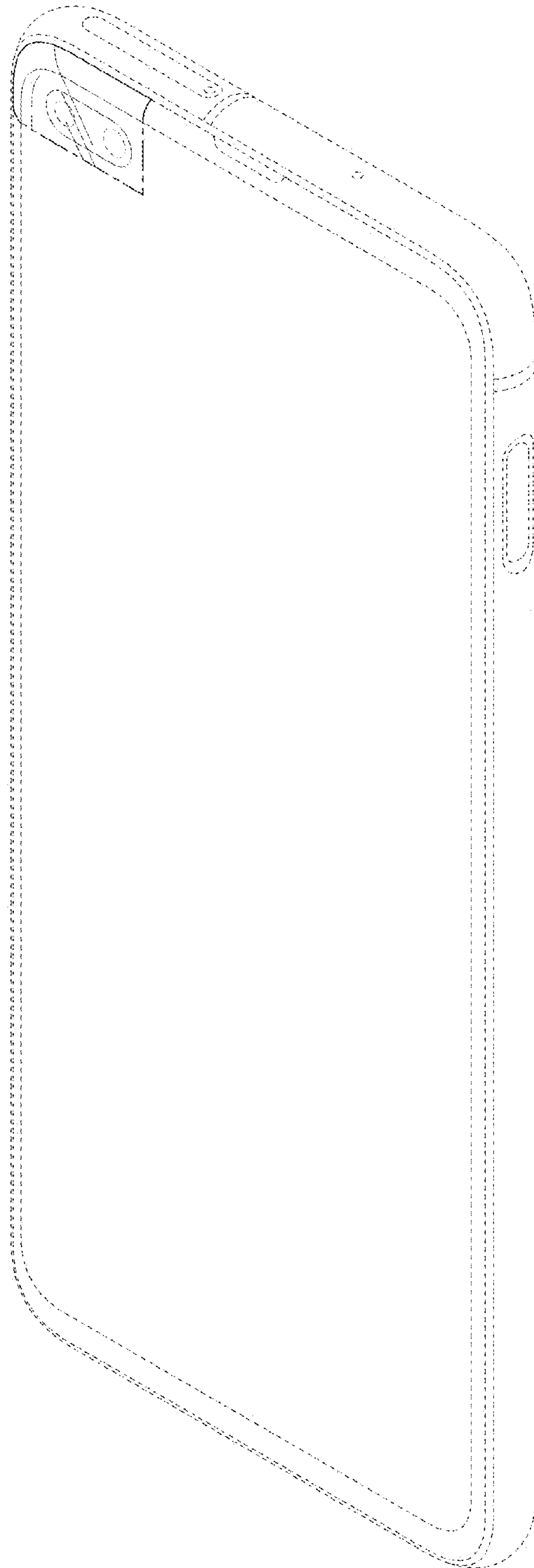


FIG. 11

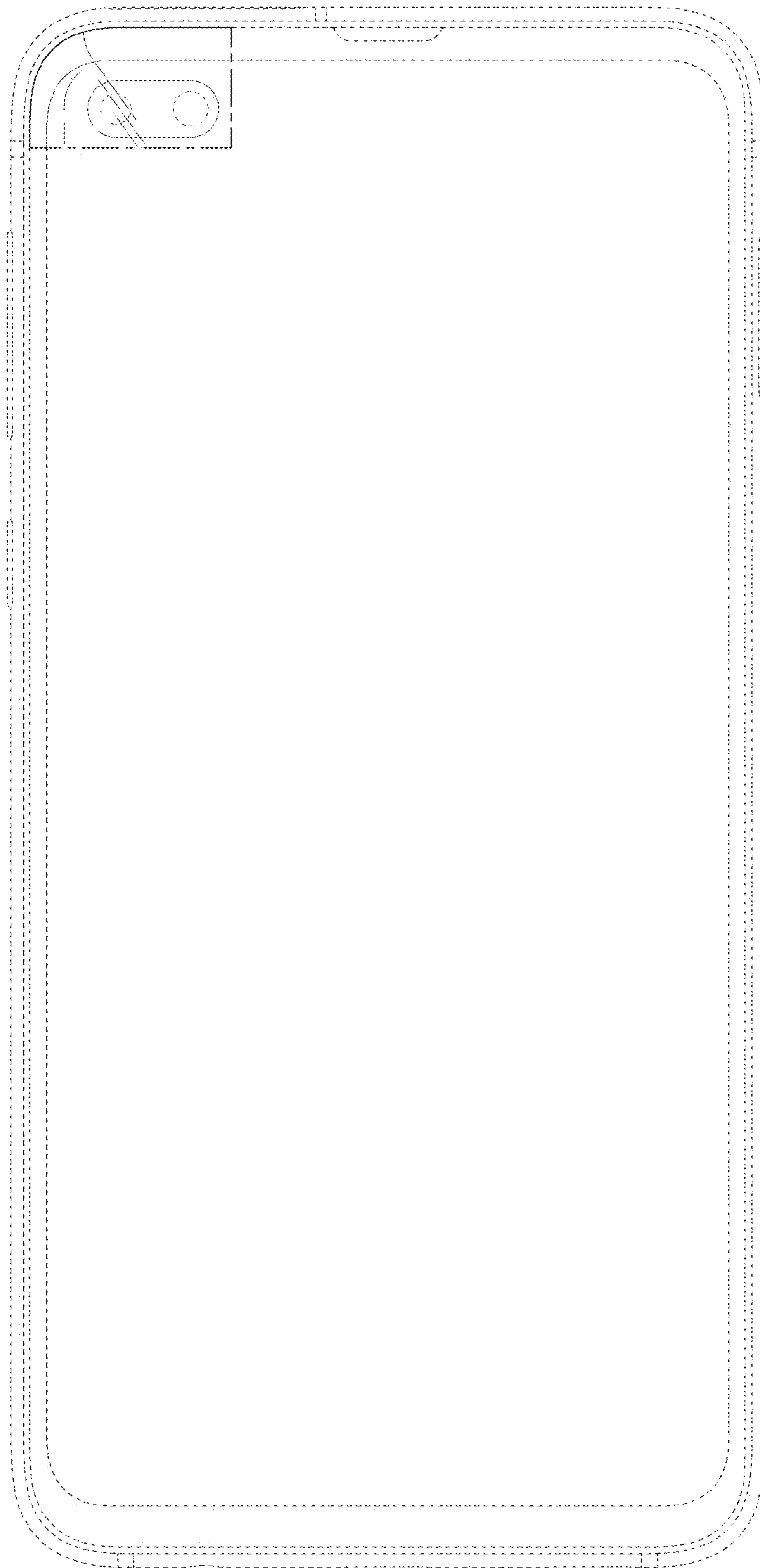


FIG. 12

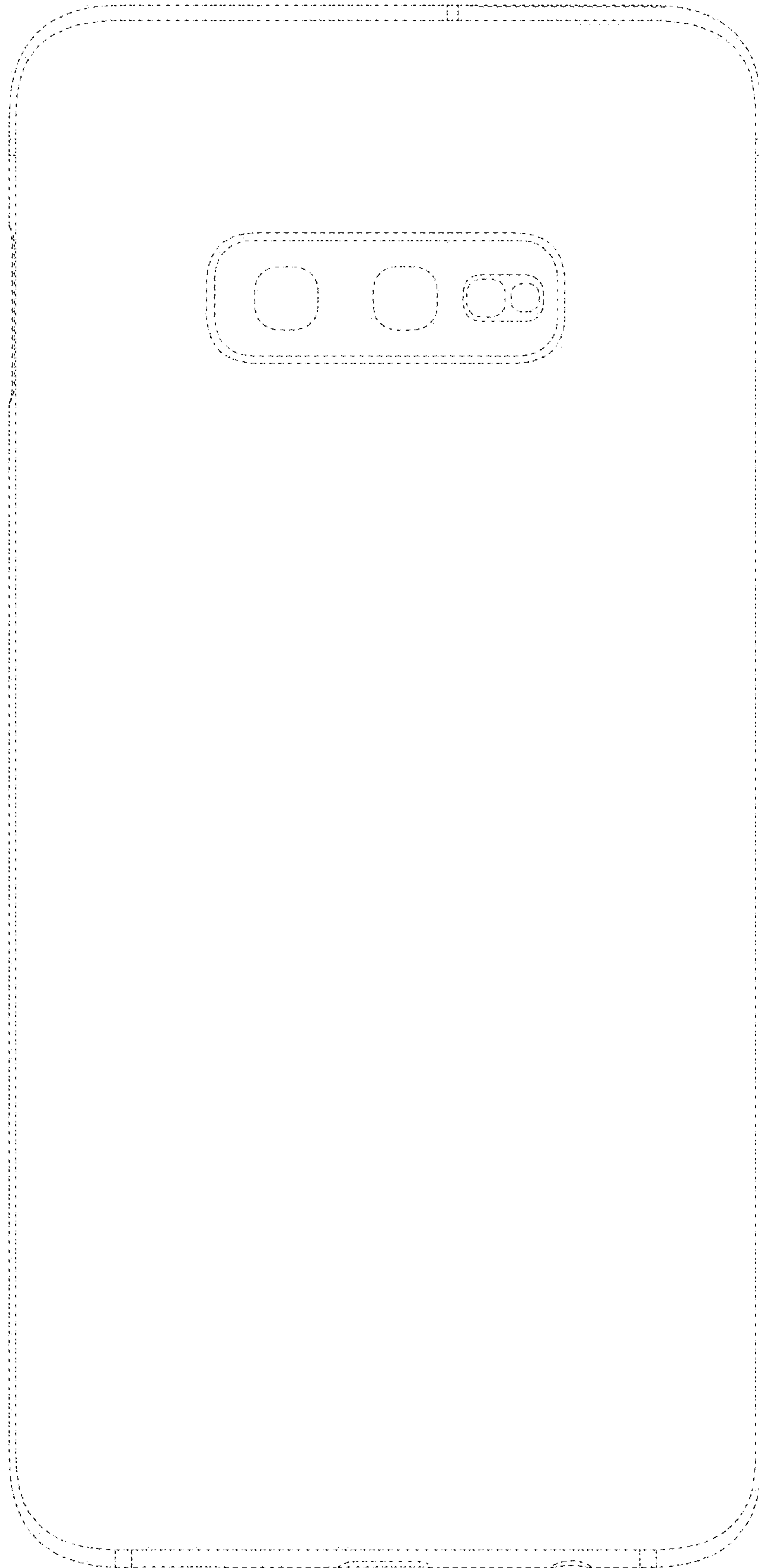


FIG. 13

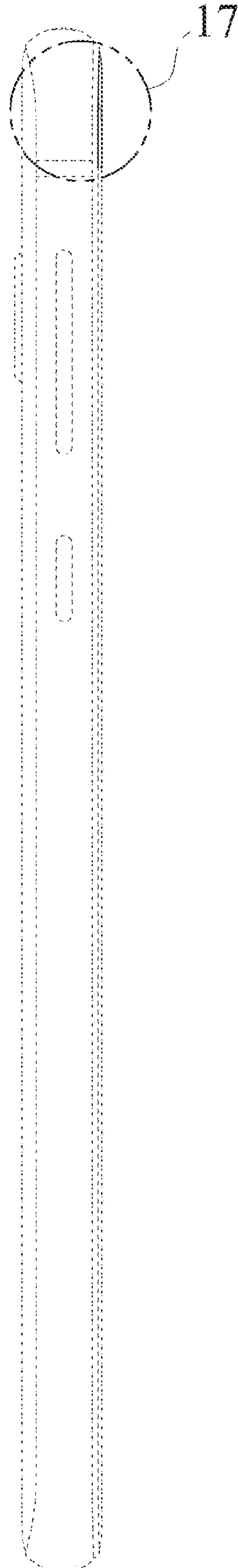


FIG. 14

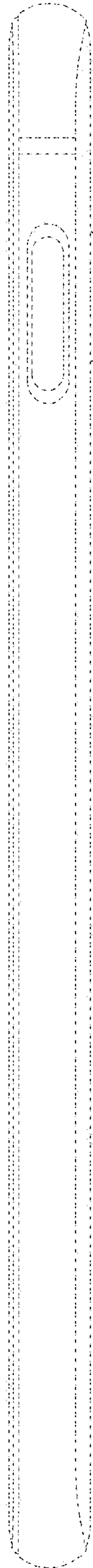


FIG. 15

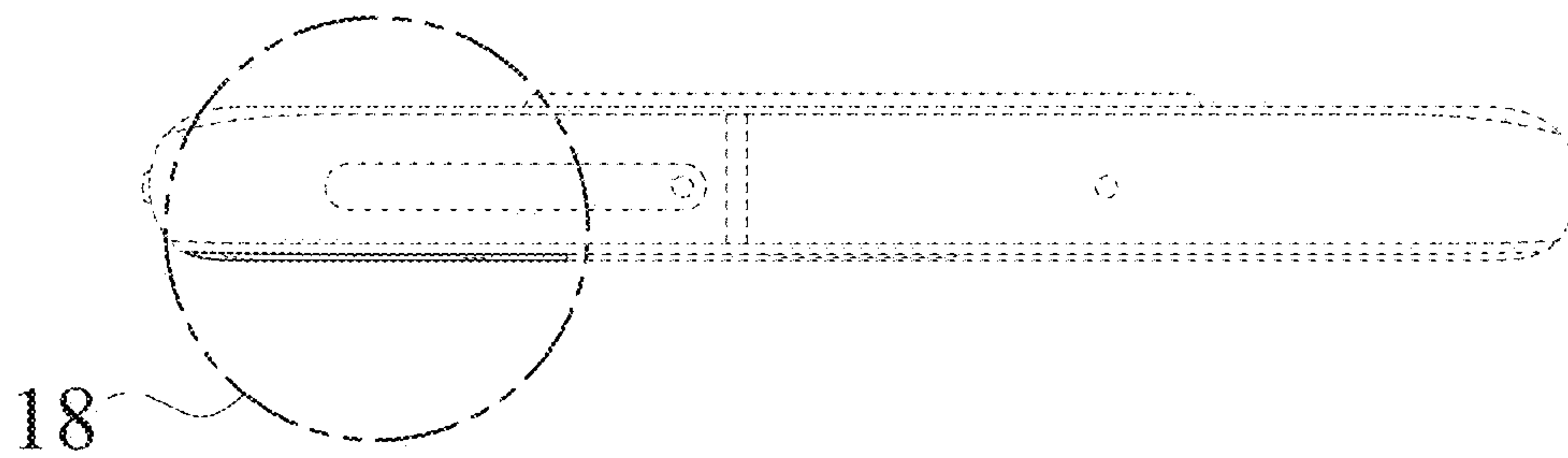


FIG. 16

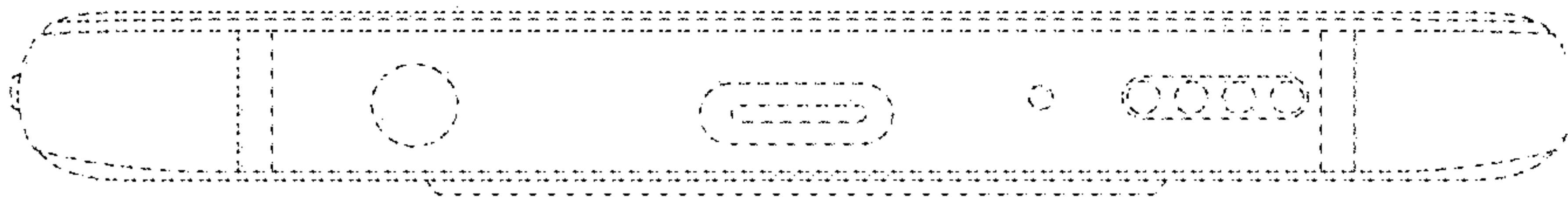


FIG. 17

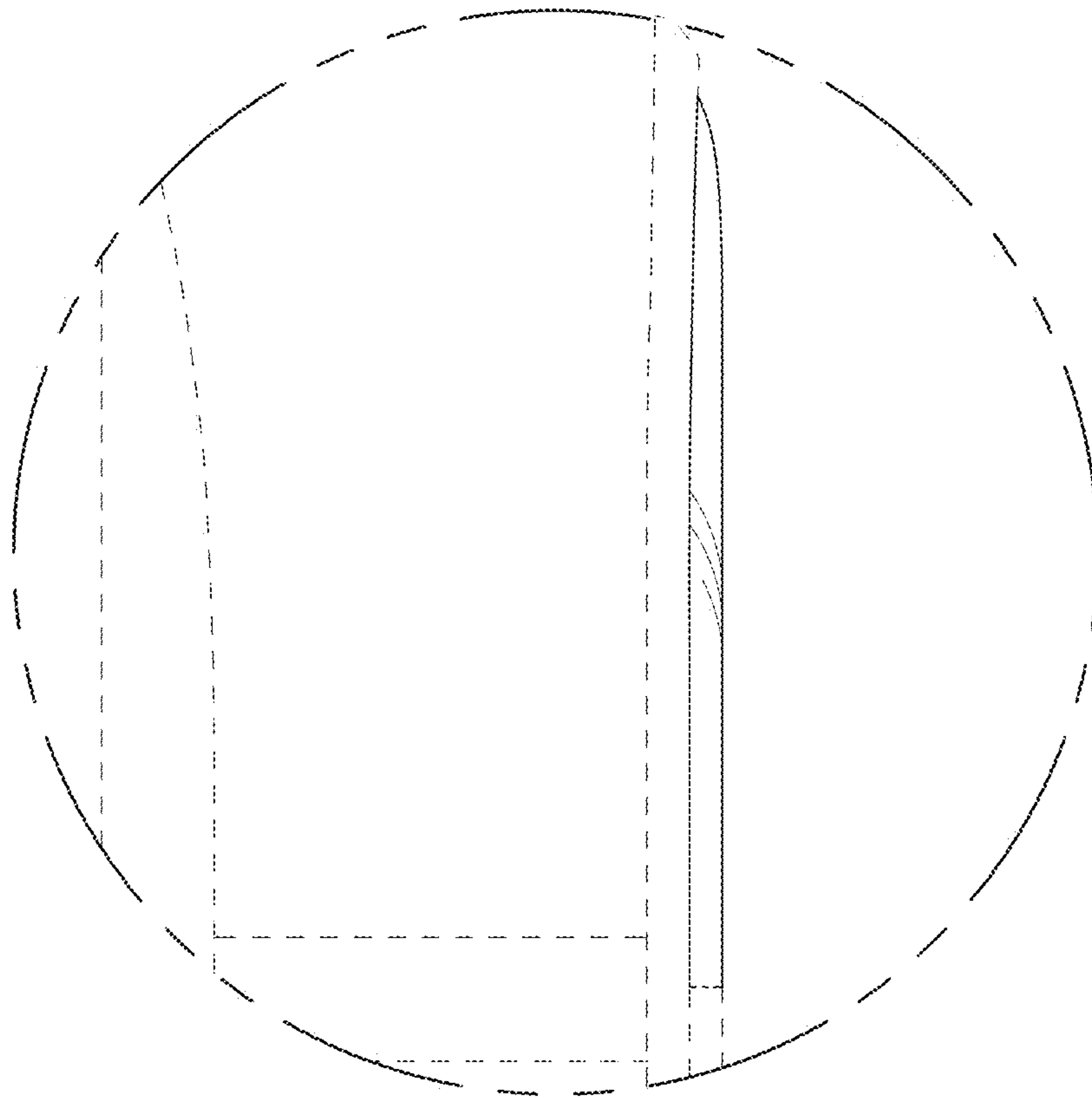


FIG. 18

