



US00D961564S

(12) **United States Design Patent** (10) **Patent No.:** **US D961,564 S**
Marti et al. (45) **Date of Patent:** **** Aug. 23, 2022**

(54) **TELECOM ROUTER**
(71) Applicant: **NetModule AG**, Bern (CH)
(72) Inventors: **Christoph Marti**, Switzerland (CH);
Pascal Schnell, Switzerland (CH)
(73) Assignee: **NETMODULE AG**, Bern (CH)
(**) Term: **15 Years**

D485,830 S * 1/2004 Chen D14/242
D642,167 S * 7/2011 Brandt D14/242
D784,330 S * 4/2017 Zhou D14/240
D836,092 S * 12/2018 Erbacher D14/242
D860,177 S * 9/2019 Robins D14/240
D865,731 S * 11/2019 Sun D14/240
D902,191 S * 11/2020 Zou D14/240
D908,669 S * 1/2021 Marti D14/240
D920,963 S * 6/2021 Zhao D14/242
D922,365 S * 6/2021 Liu D14/240

(21) Appl. No.: **29/763,662**
(22) Filed: **Dec. 23, 2020**

Related U.S. Application Data

(62) Division of application No. 29/683,128, filed on Mar. 11, 2019, now Pat. No. Des. 908,669.

Foreign Application Priority Data

Jan. 25, 2019 (WO) WIPO79648

(51) **LOC (13) Cl.** **14-03**
(52) **U.S. Cl.**
USPC **D14/242**

(58) **Field of Classification Search**
USPC D14/240, 242, 357, 358, 140-140.9, 155,
D14/125, 137, 139, 243, 348, 349, 351,
D14/354, 355
CPC H04L 12/00; H03K 17/00; H04W 88/00;
H04W 88/005; H04W 88/02; H04W
88/08; H04W 88/085; H04W 88/10;
H04W 88/12; H04W 88/14; H04B 1/38
See application file for complete search history.

(56) **References Cited**

U.S. PATENT DOCUMENTS

D289,648 S * 5/1987 Felix D14/242
D369,566 S * 5/1996 Poon D10/106.2
D480,696 S * 10/2003 Escorcia D14/137

FOREIGN PATENT DOCUMENTS

CN 304005577 * 1/2017
CN 304393935 * 12/2017
CN 304524706 * 3/2018
CN 305337232 * 9/2019

* cited by examiner

Primary Examiner — Bridget L Eland

(74) *Attorney, Agent, or Firm* — Fross, Zelnick, Lehrman & Zissu PC; Charles T. J. Weigell, Esq.

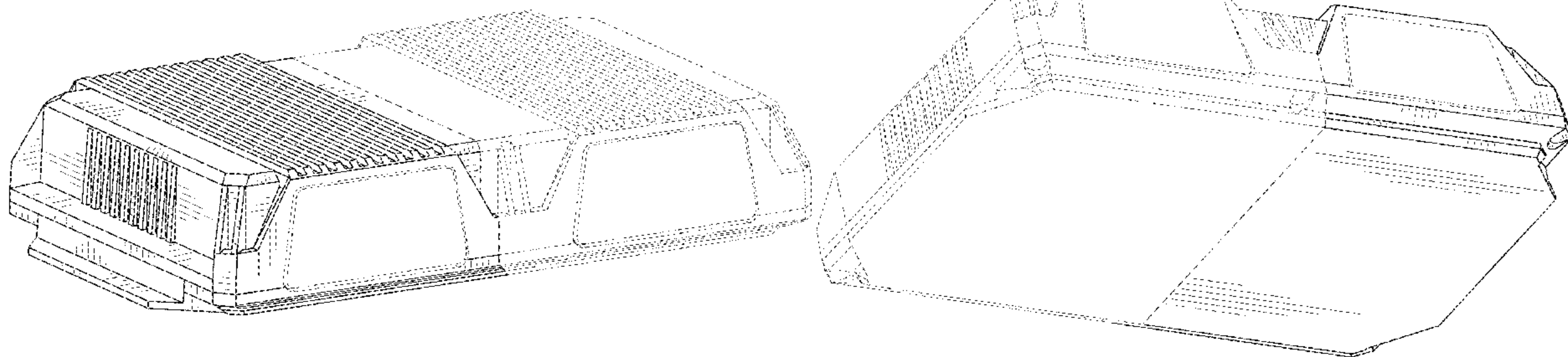
(57) **CLAIM**

The ornamental design for a telecom router, as shown and described.

DESCRIPTION

FIG. 1 is a top perspective view of a telecom router showing our new design;
FIG. 2 is a front view thereof;
FIG. 3 is a back view thereof;
FIG. 4 is a left side view thereof;
FIG. 5 is a right side view thereof;
FIG. 6 is a top view thereof;
FIG. 7 is a bottom view thereof; and,
FIG. 8 is a bottom perspective view thereof.
The broken lines are directed to environment and are for illustrative purposes only; the broken lines form no part of the claimed design.

1 Claim, 8 Drawing Sheets



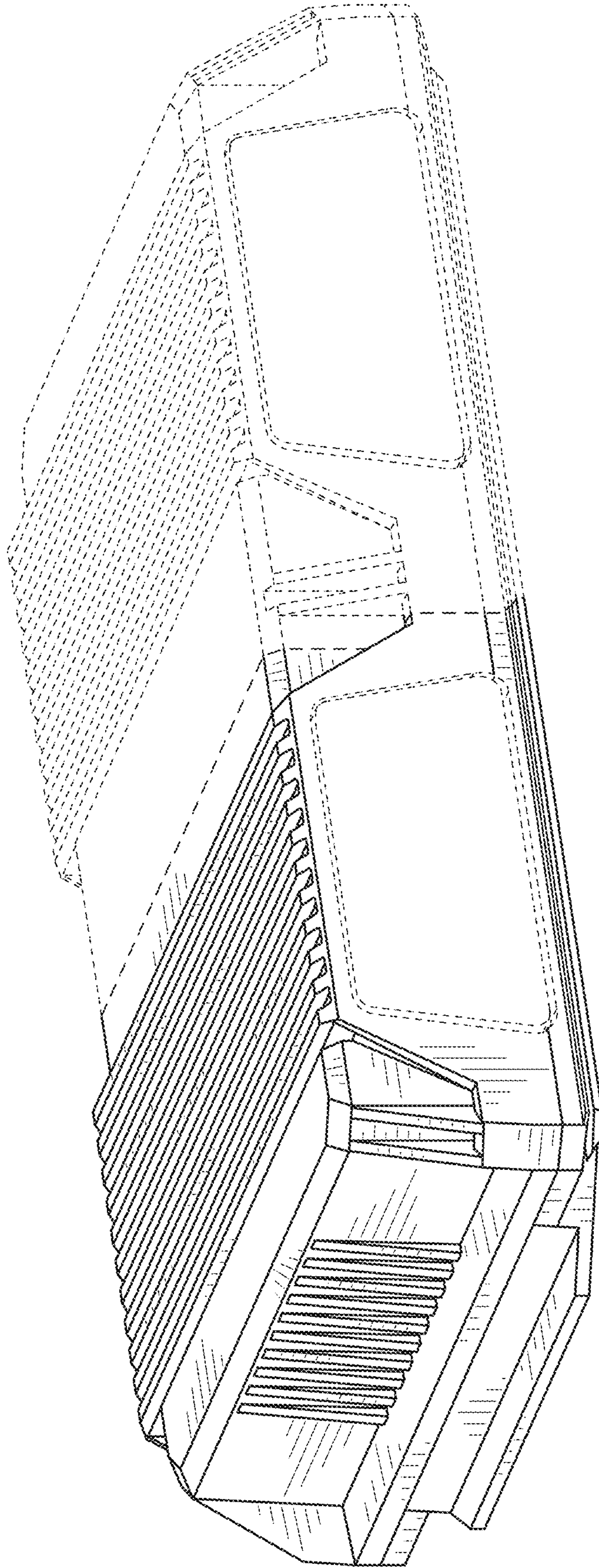


FIG. 1

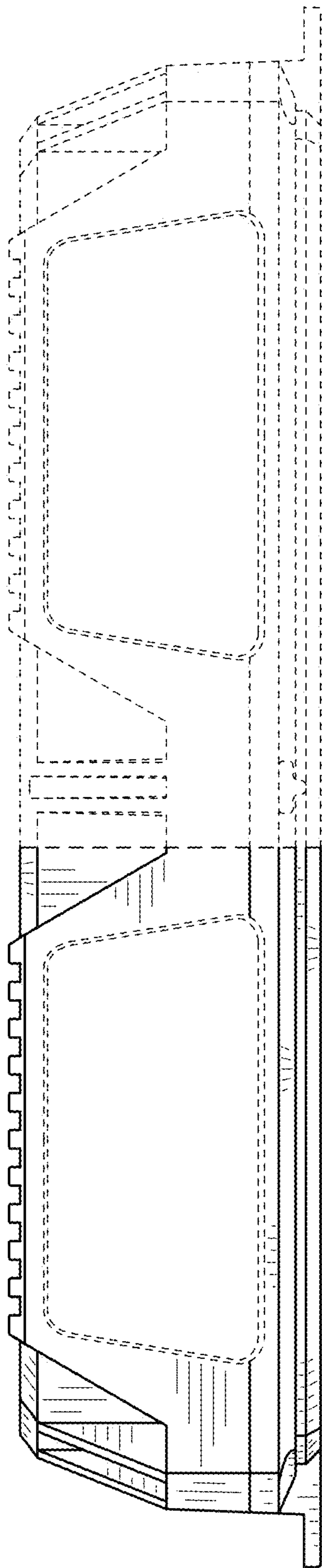


FIG. 2

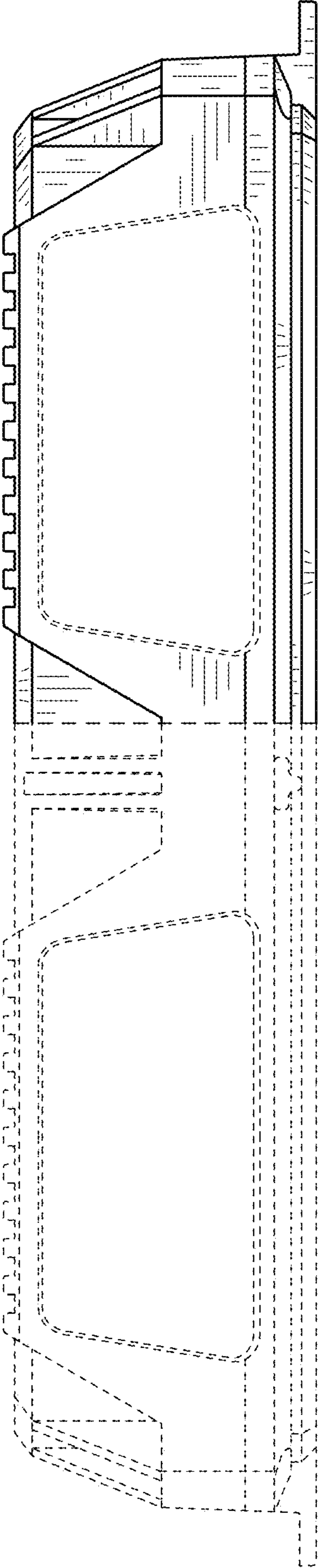


FIG. 3

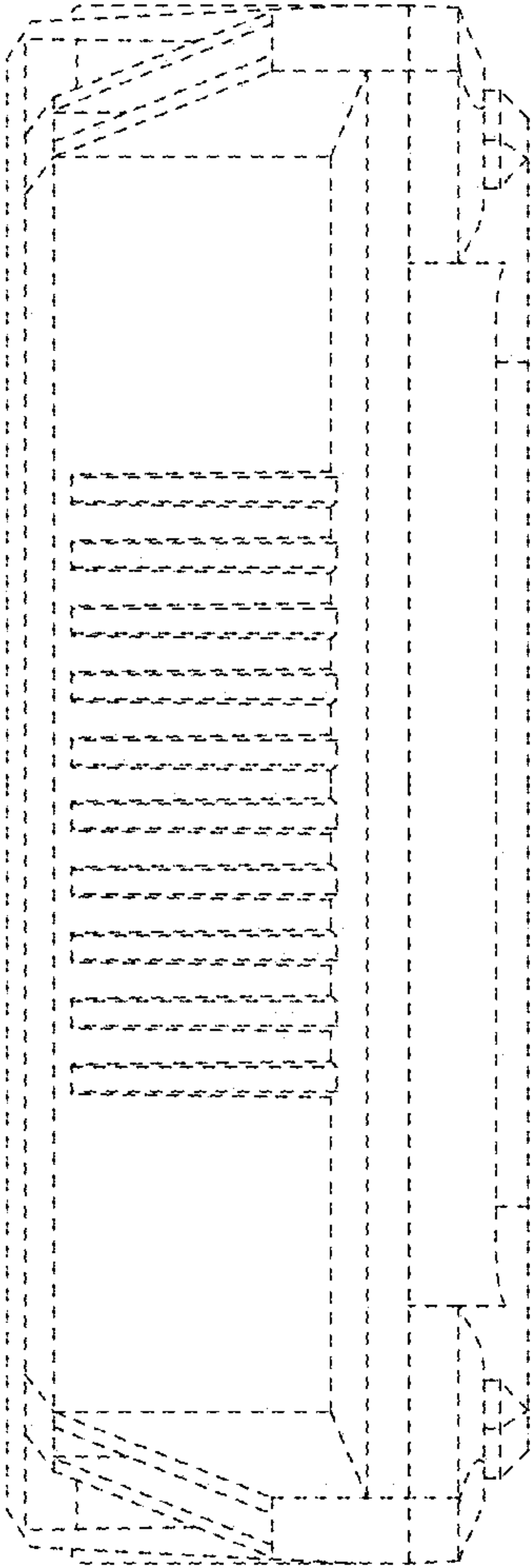


FIG. 4

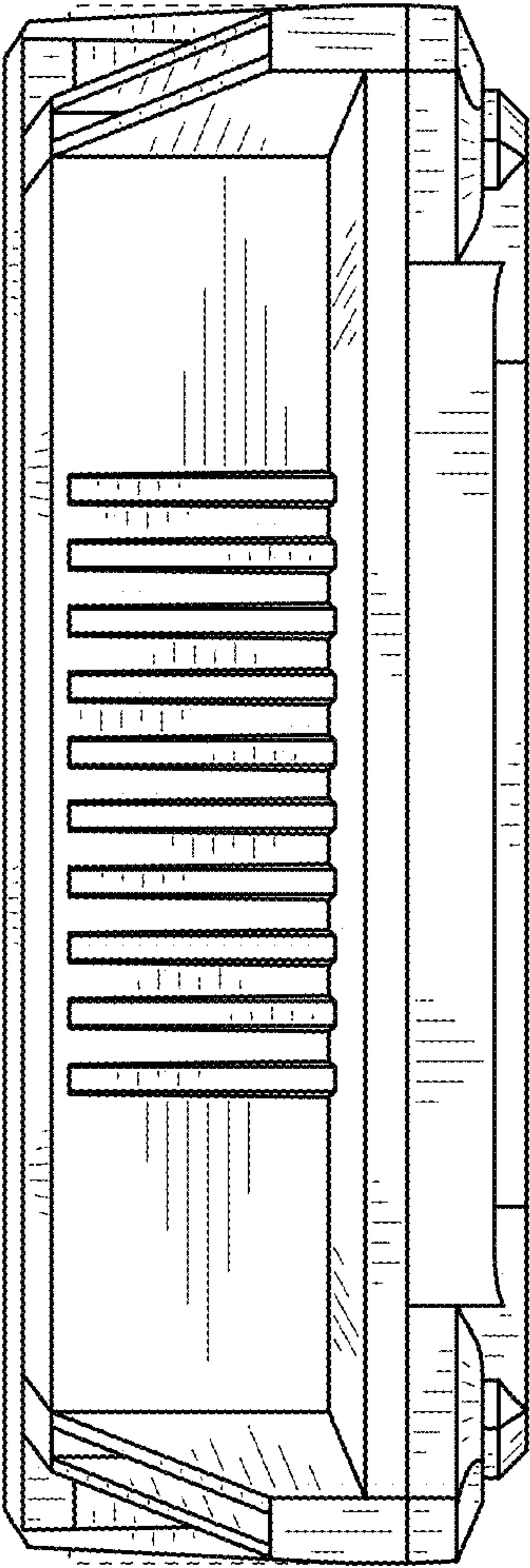


FIG. 5

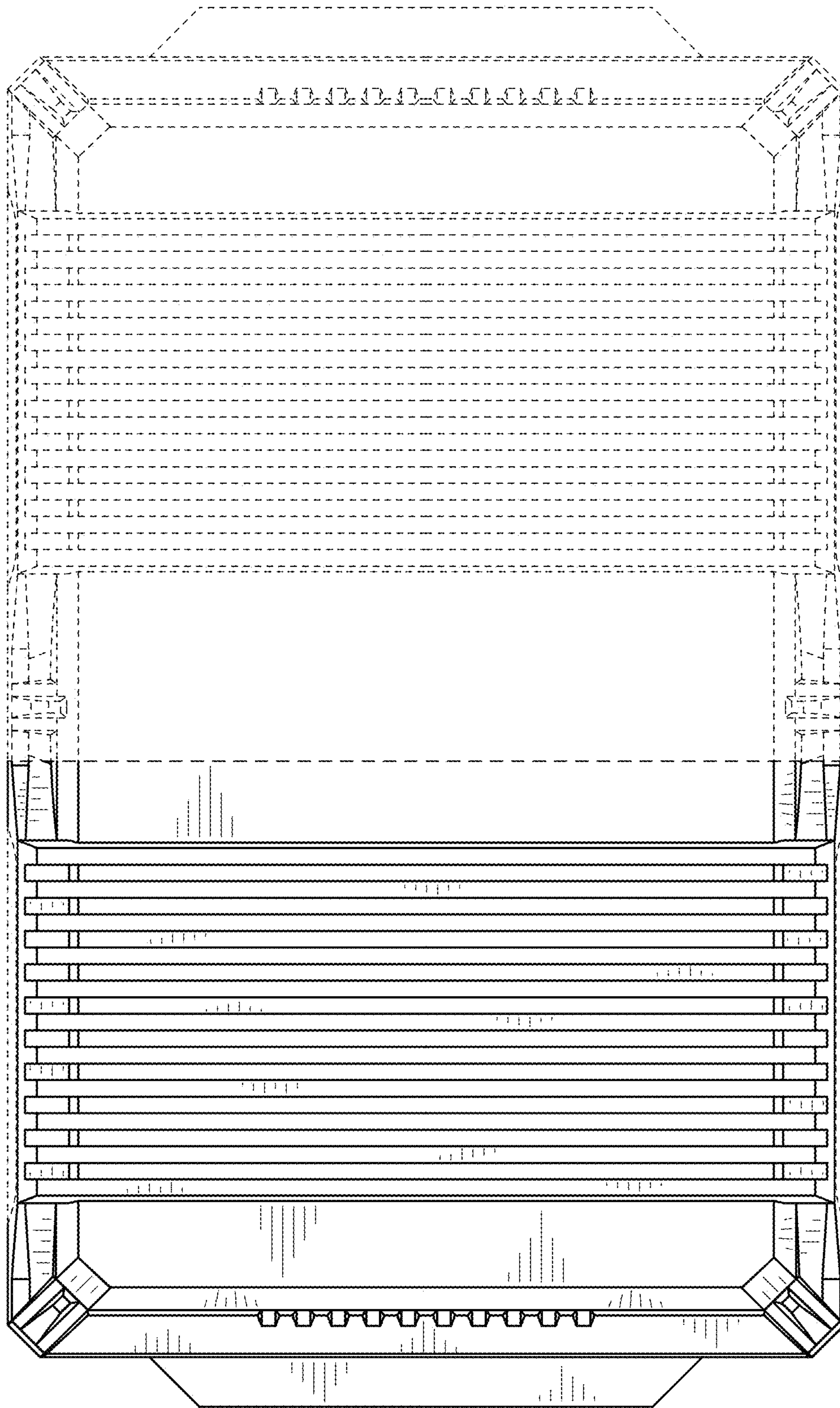


FIG. 6

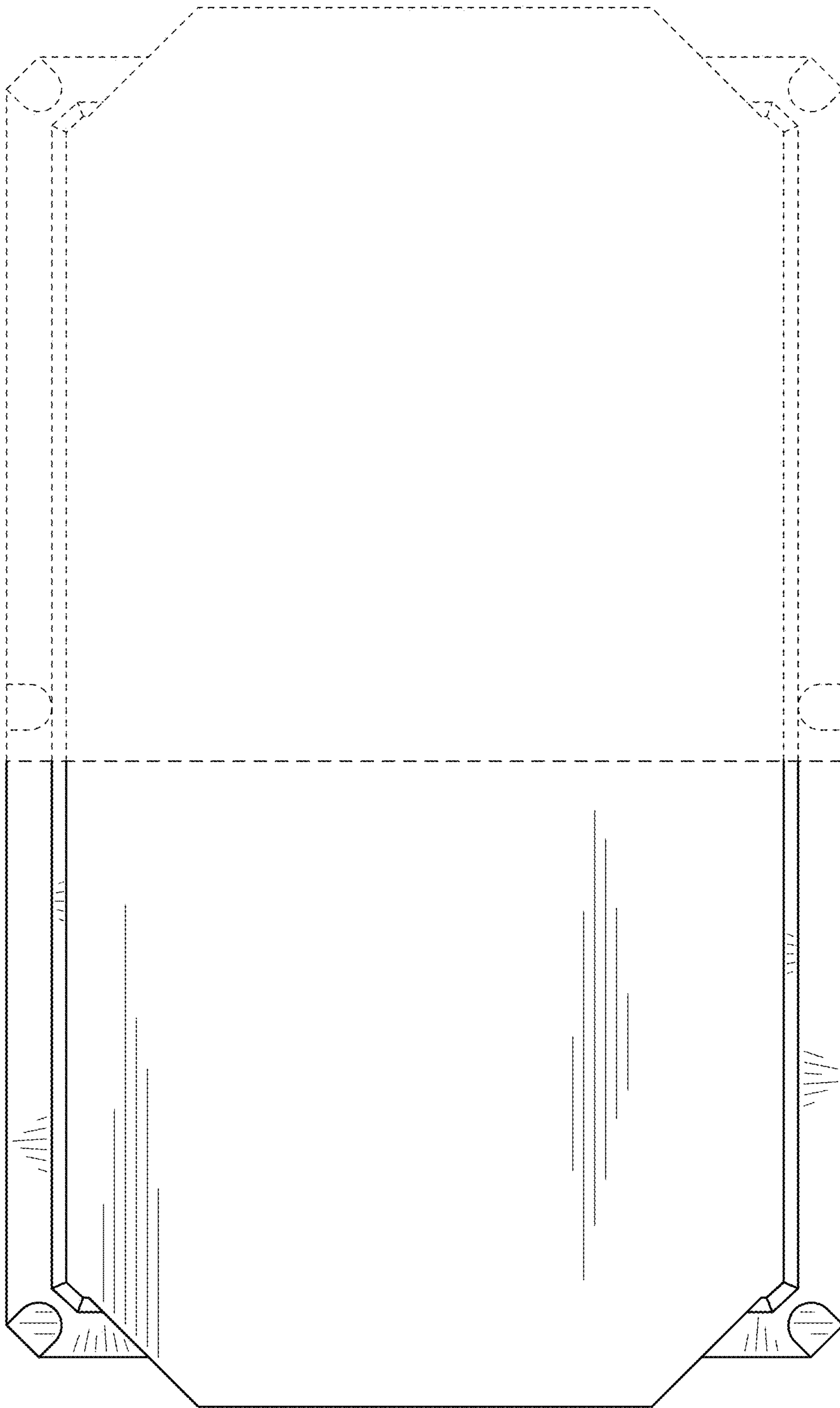


FIG. 7

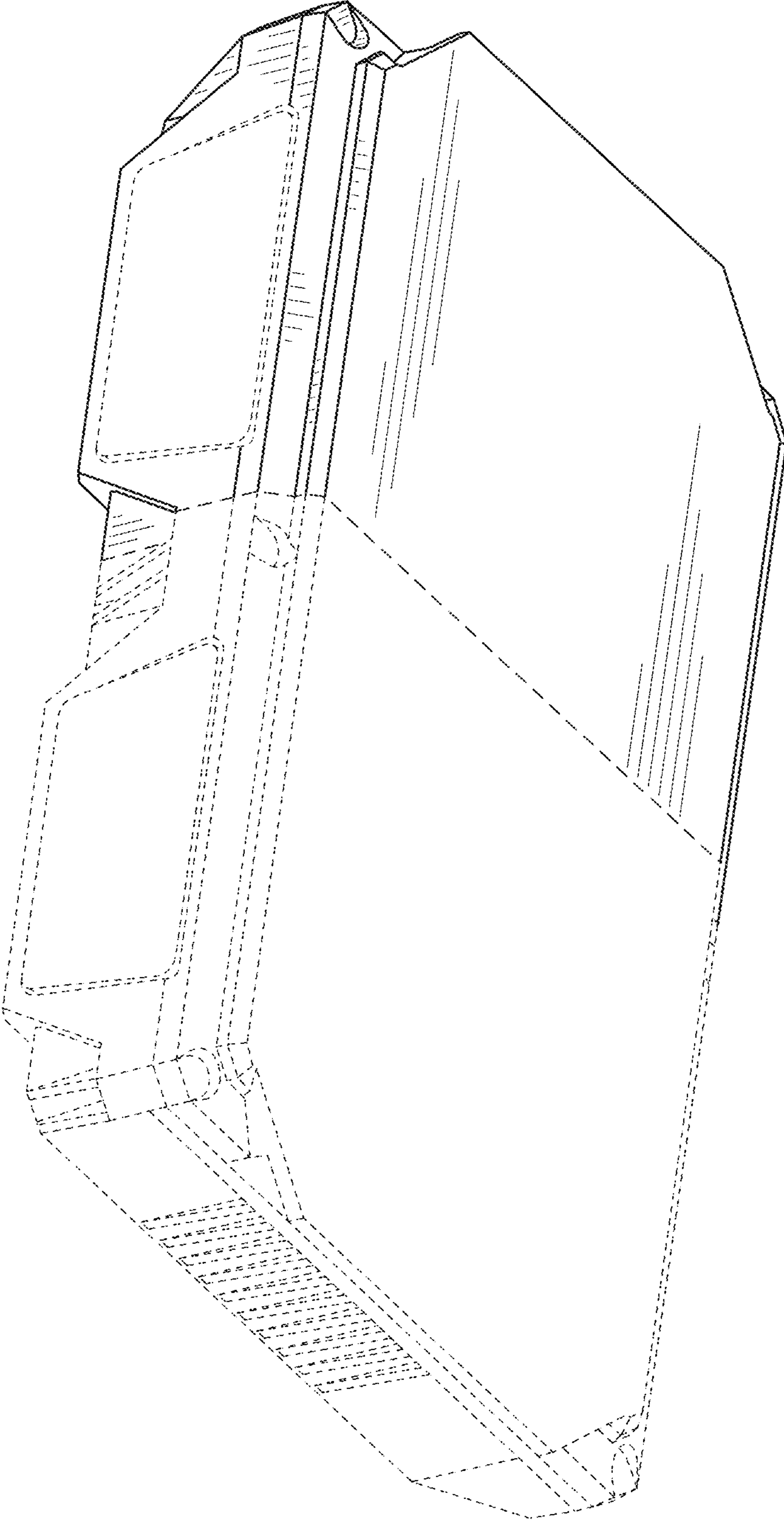


FIG. 8