



US00D961561S

(12) **United States Design Patent** (10) **Patent No.:** **US D961,561 S**
Kwak et al. (45) **Date of Patent:** **** *Aug. 23, 2022**

(54) **TERMINAL FOR NETWORKS**

D791,767 S * 7/2017 Ali D14/358
D870,720 S * 12/2019 Cho D14/299
D928,131 S * 8/2021 Jang D14/242

(71) Applicant: **SAMSUNG ELECTRONICS CO., LTD.**, Suwon-si (KR)

FOREIGN PATENT DOCUMENTS

(72) Inventors: **Jihee Kwak**, Suwon-si (KR);
Moonjung Jang, Suwon-si (KR);
Hyungjun Koo, Suwon-si (KR)

GB 8207578000-1000 * 4/2020
IN 329834001 * 6/2020

(73) Assignee: **SAMSUNG ELECTRONICS CO., LTD.**, Gyeonggi-Do (KR)

OTHER PUBLICATIONS

(*) Notice: This patent is subject to a terminal disclaimer.

Comfast CF-E214N Wireless outdoor CPE long Distance access point Antenna wi fi router 150Mbps waterproof repetidor wifi bridge Review. [online]. pp. 1-2 [retrieved on Jul. 14, 2020]. Retrieved from the Internet: <URL: <http://networking.restwe.top/comfast-cf-e214n-wireles-outdoor-cpe-long-distance-access-point-antenna-wi-fi-router-150mbps-waterproof-repetidor-wifibrige-review/>>.

(**) Term: **15 Years**

(Continued)

(21) Appl. No.: **29/737,430**

Primary Examiner — Khawaja Anwar
Assistant Examiner — Megan Tiana Rakos
(74) *Attorney, Agent, or Firm* — Cantor Colburn LLP

(22) Filed: **Jun. 9, 2020**

(30) **Foreign Application Priority Data**

Mar. 2, 2020 (KR) 30-2020-0009360

(51) **LOC (13) Cl.** **14-03**

(52) **U.S. Cl.**
USPC **D14/240**

(58) **Field of Classification Search**
USPC D3/300; D6/610; 150/165; D14/167,
D14/188, 240, 349; D13/110, 184
CPC B65D 65/02
See application file for complete search history.

(57) **CLAIM**

The ornamental design for a terminal for networks, as shown and described.

DESCRIPTION

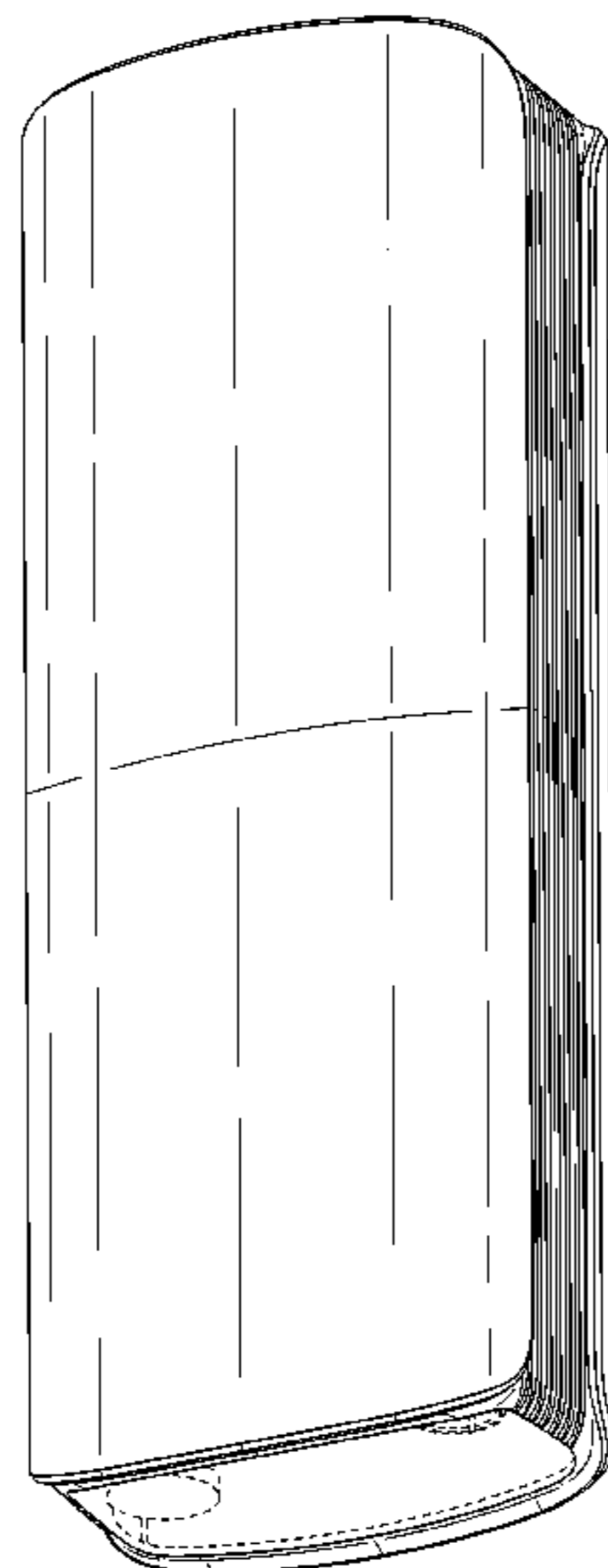
FIG. 1 is a front perspective view of a terminal for networks, showing our new design;
FIG. 2 is a front view thereof;
FIG. 3 is a rear view thereof;
FIG. 4 is a left-side view thereof;
FIG. 5 is a right-side view thereof;
FIG. 6 is a top view thereof;
FIG. 7 is a bottom view thereof; and,
FIG. 8 is a rear perspective view thereof.
The broken lines illustrating portions of the terminal for networks form no part of the claimed design.

1 Claim, 7 Drawing Sheets

(56) **References Cited**

U.S. PATENT DOCUMENTS

D377,652 S * 1/1997 Sarkiniemi D13/184
D429,238 S * 8/2000 Kolinen D14/240
D464,340 S * 10/2002 Schmidt D14/240
D530,709 S * 10/2006 Bang D14/240
D717,284 S * 11/2014 Kurosawa D14/240
D742,864 S * 11/2015 Kurosawa D14/240
D784,970 S * 4/2017 MacManus D14/240



(56)

References Cited

OTHER PUBLICATIONS

Massive MIMO Deployments in the UK. [online]. pp. 1-4 [retrieved on Jul. 14, 2020]. Retrieved from the Internet <URL: <https://ma-mimo.ellintech.se/2019/01/08/massive-mimo-deployments-in-the-uk/>>.

Massive MIMO Radio. Enhance Networks Faster with Samsung's Massive MIMO Radios. [online]. pp. 1-4 [retrieved on Jul. 14, 2020]. Retrieved from the Internet: <URL: <https://www.samsung.com/global/business/networks/products/radio-access/massive-mimo-unit/>>.

Mobile Phone Signal Booster. [online]. pp. 1-6 [retrieved on Jul. 14, 2020]. Retrieved from the Internet: <URL: <https://mobilesignalboosterblog.wordpress.com/2016/09/09/coming-world-premiere-5g-base-station-ericsson-why-dare-advance-3gpp/>>.

* cited by examiner

FIG. 1

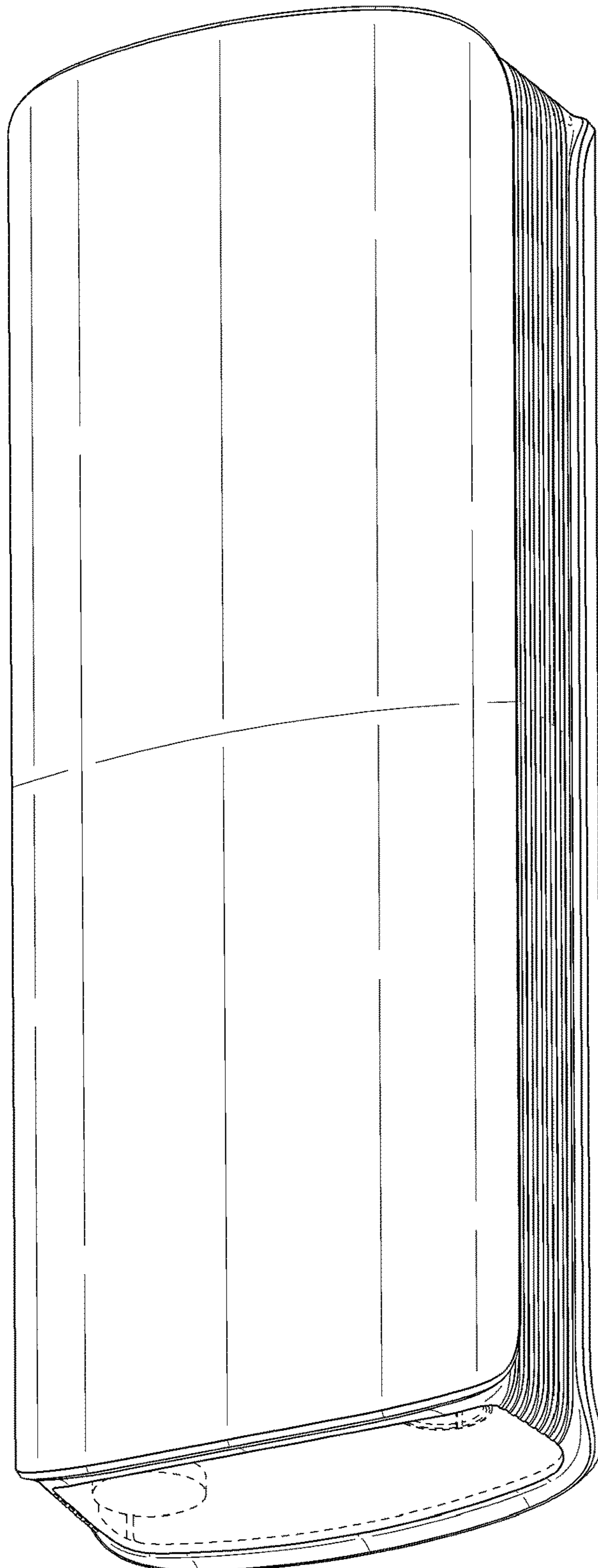


FIG.2

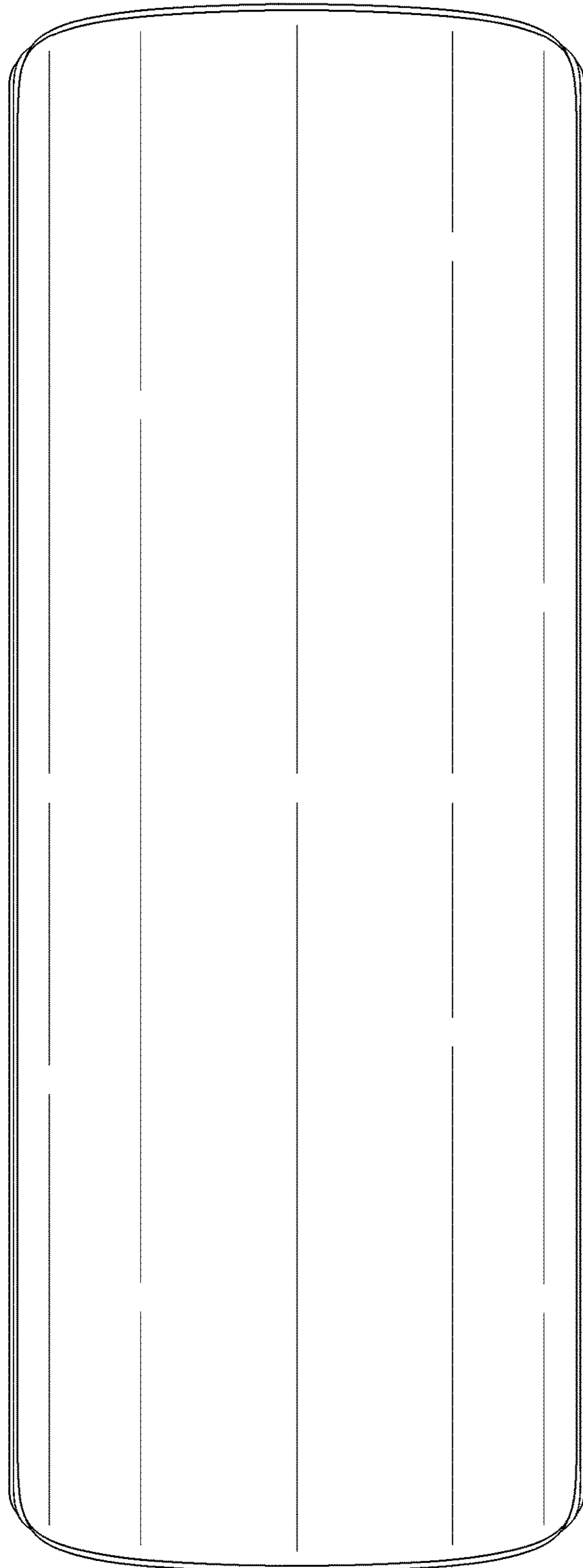


FIG.3

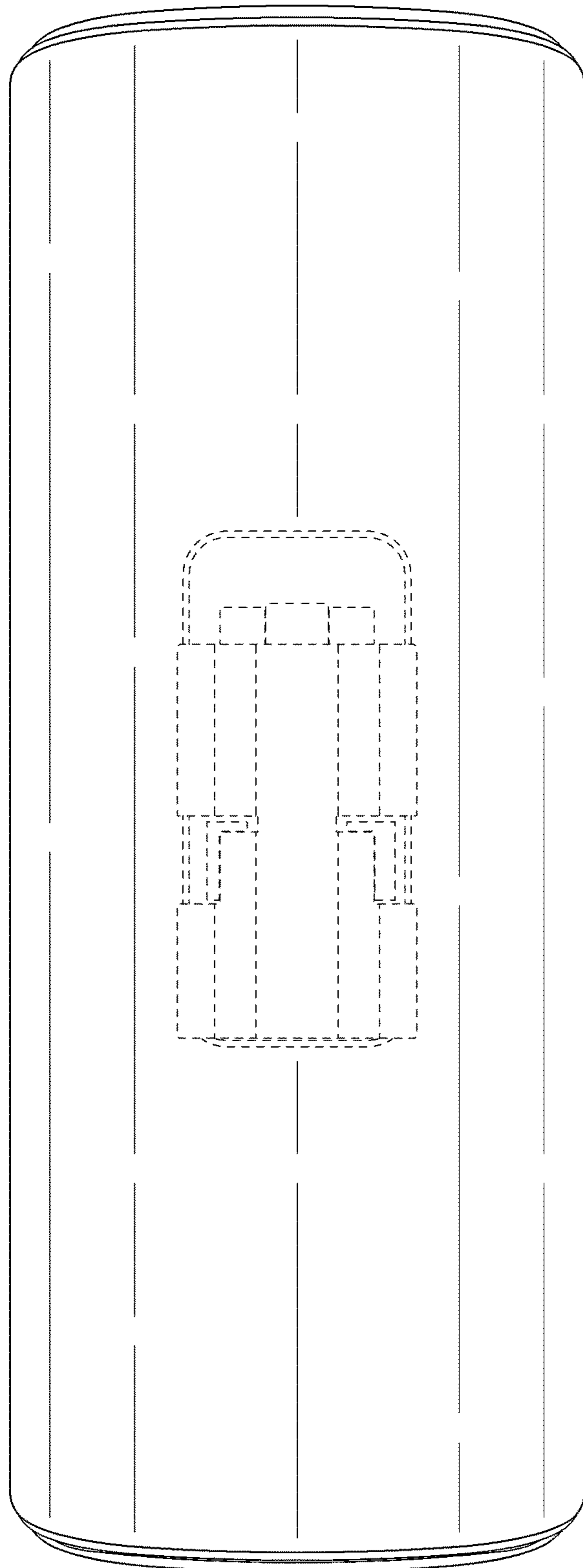


FIG.4

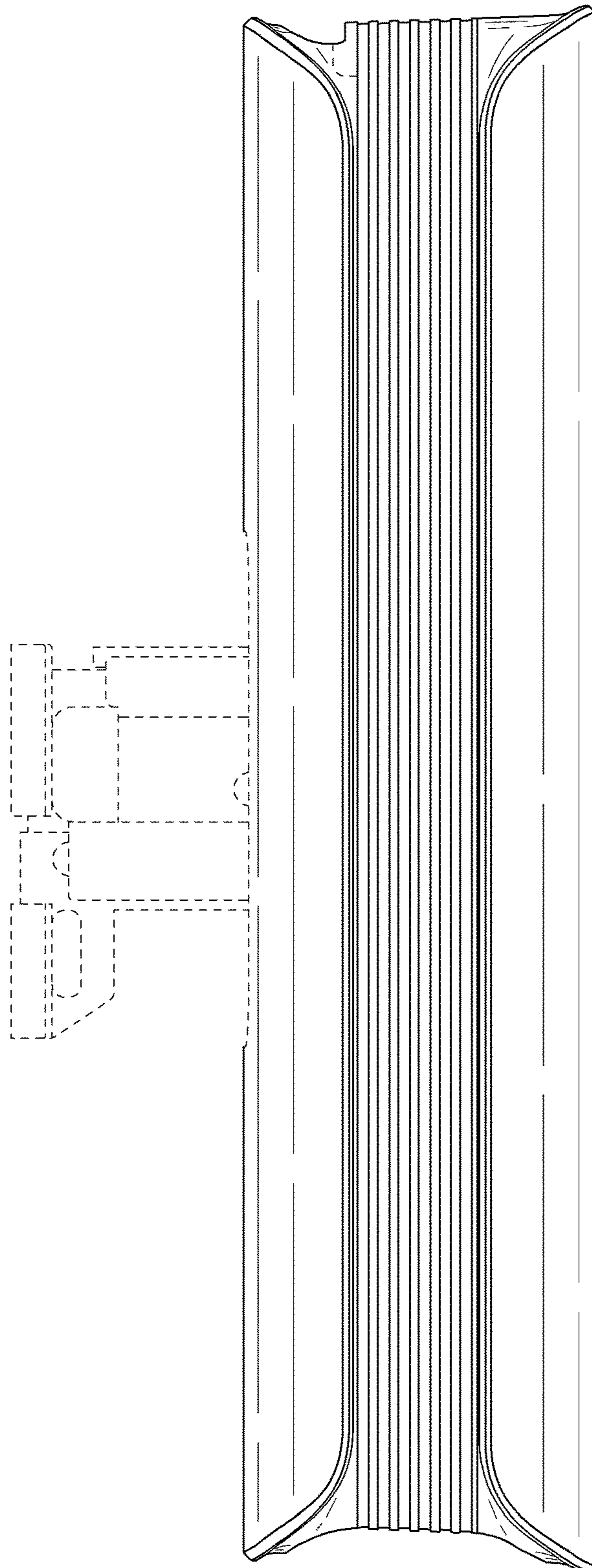


FIG.5

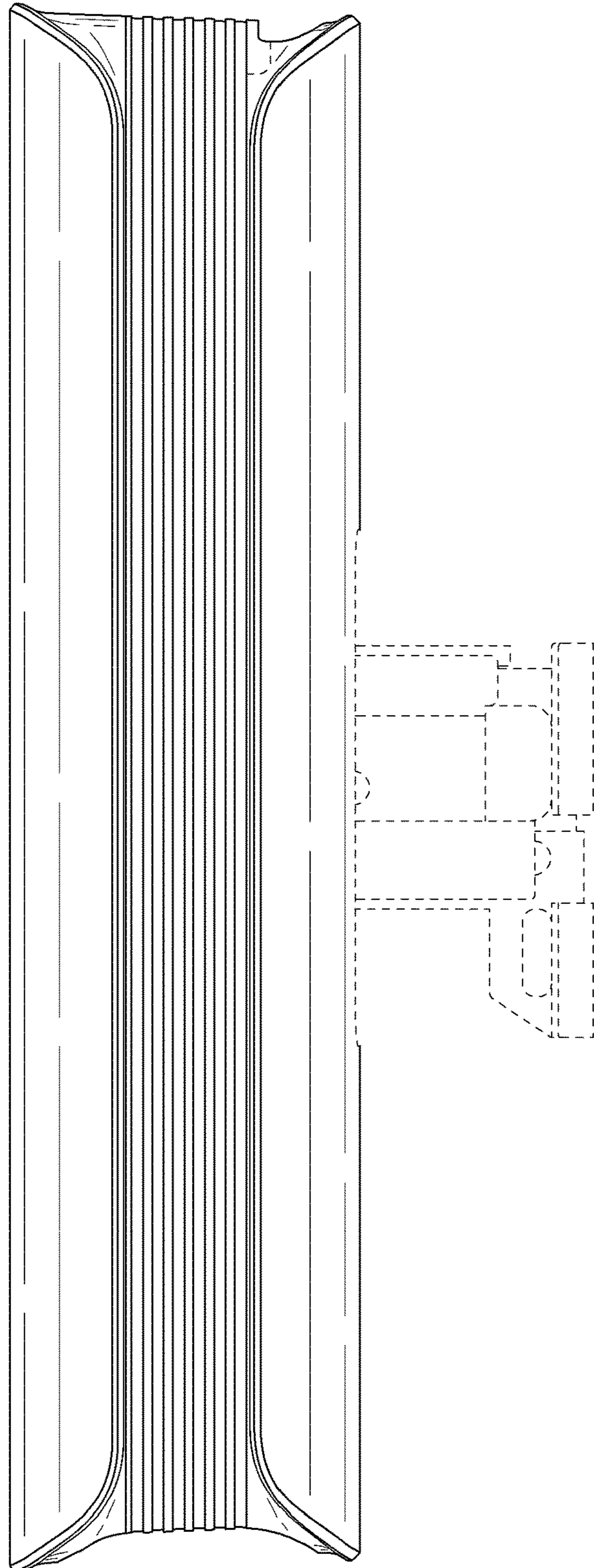


FIG.6

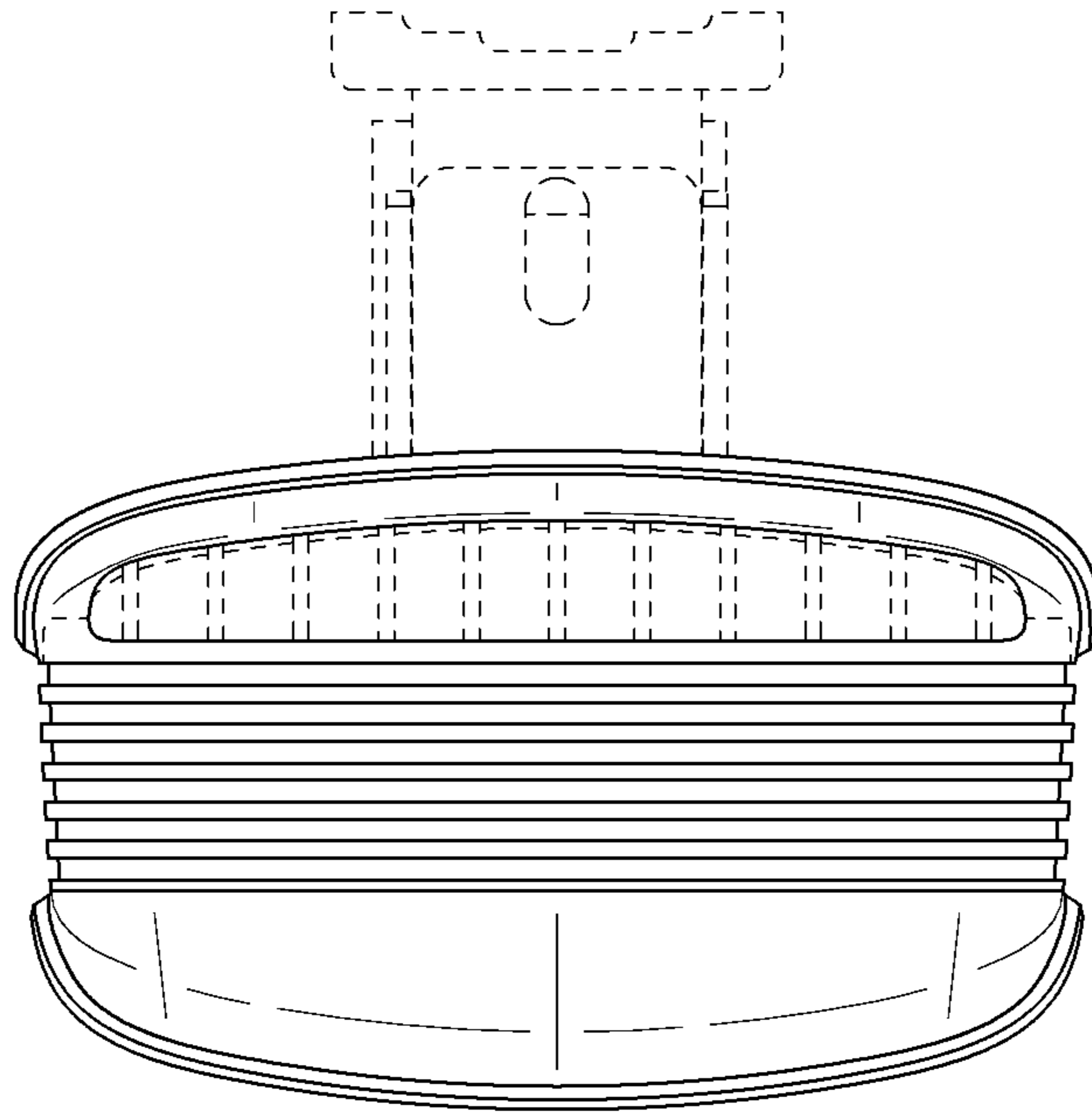


FIG.7

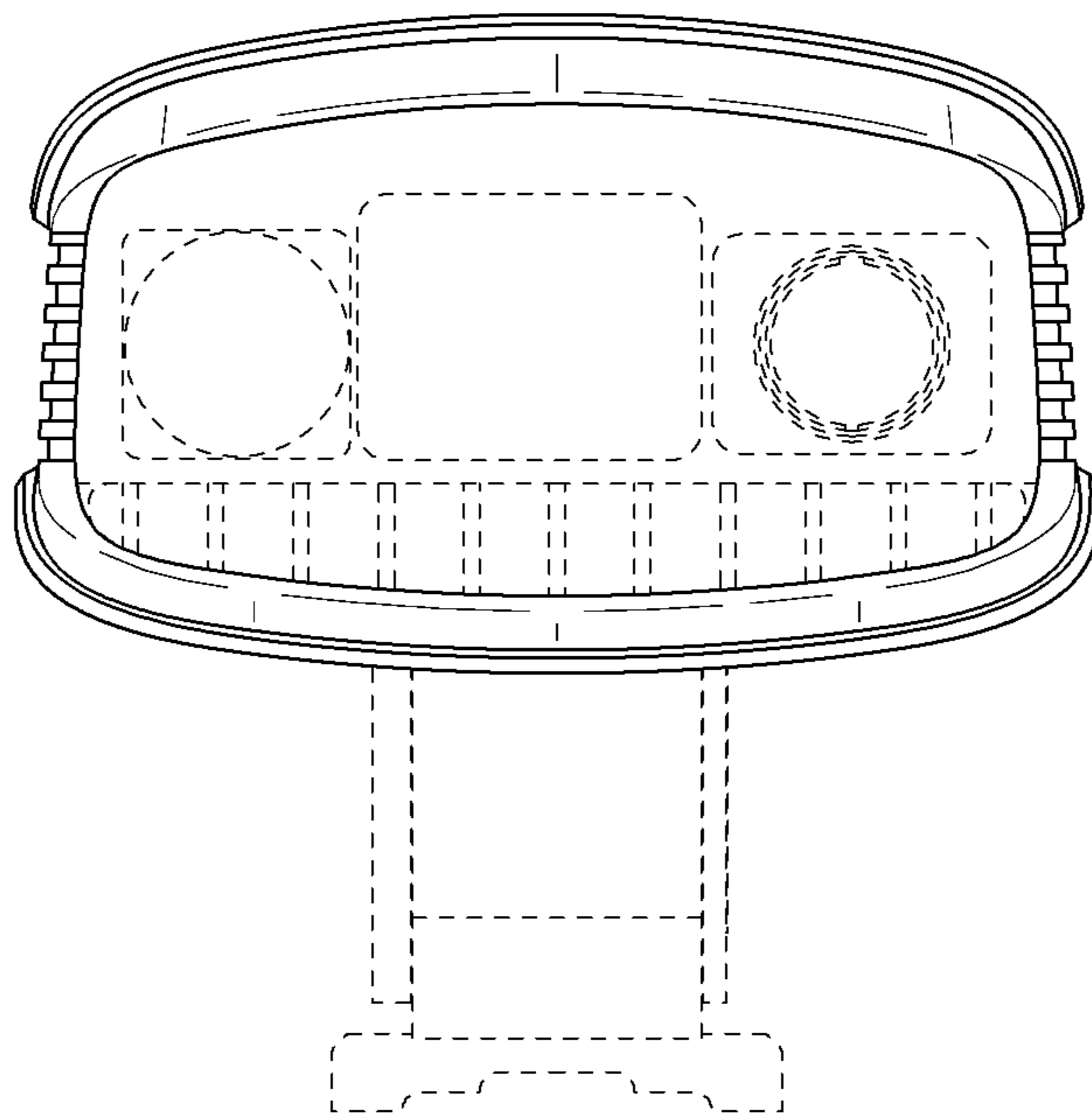


FIG.8

