



US00D961559S

(12) **United States Design Patent** (10) **Patent No.:** **US D961,559 S**
Perez et al. (45) **Date of Patent:** **** Aug. 23, 2022**

- (54) **ANTENNA PEDESTAL**
- (71) Applicant: **Sensormatic Electronics, LLC**, Boca Raton, FL (US)
- (72) Inventors: **Sergio M. Perez**, Lake Worth, FL (US); **Kelvin Lee Hunter**, Lake Worth, FL (US)
- (73) Assignee: **Sensormatic Electronics, LLC**, Boca Raton, FL (US)
- (**) Term: **15 Years**
- (21) Appl. No.: **29/779,183**
- (22) Filed: **Apr. 16, 2021**

Related U.S. Application Data

- (62) Division of application No. 29/596,180, filed on Mar. 6, 2017, now Pat. No. Des. 920,296.
- (51) **LOC (13) Cl.** **14-03**
- (52) **U.S. Cl.**
USPC **D14/230**
- (58) **Field of Classification Search**
USPC D14/137, 138 R, 138 AA, 148, 155, 167, D14/168, 230-238, 240, 242, 265, 299, D14/343, 358; D10/106.6, 106.9
CPC H01Q 7/00; H01Q 13/10; H01Q 9/285; H01Q 19/30; H01Q 19/12; H01Q 1/38; H01Q 1/36; H04B 1/0475; H04B 1/034; H05K 11/00
See application file for complete search history.

References Cited

U.S. PATENT DOCUMENTS

- D344,731 S * 3/1994 Witzky D14/204
- D350,963 S * 9/1994 Witzky D14/230
- D354,060 S * 1/1995 Witzky D14/230
- D471,181 S * 3/2003 Haberstich D14/230

- D473,219 S * 4/2003 Raymond D14/230
- D480,388 S * 10/2003 Spelman D14/230
- D664,127 S * 7/2012 Yang D14/230
- D678,794 S * 3/2013 Eckert D10/106.9
- D715,260 S * 10/2014 Kim D14/214
- D775,110 S * 12/2016 Tsen D14/230
- D783,005 S * 4/2017 Perez D14/230
- D786,837 S * 5/2017 Tsen D14/230
- 10,497,240 B2 * 12/2019 Alexis H01Q 1/002
- 10,776,595 B2 * 9/2020 Miller G08B 13/2434
- D920,296 S * 5/2021 Perez D14/230
- 2003/0001739 A1 * 1/2003 Clucas H01Q 1/2216
340/572.1
- 2016/0351034 A1 * 12/2016 Trivelpiece G07G 3/003
- 2017/0221099 A1 * 8/2017 Fernandez G06Q 30/0269

* cited by examiner

Primary Examiner — Rebekah A Caruso

(74) *Attorney, Agent, or Firm* — Arent Fox Schiff

(57) **CLAIM**

The ornamental design for an antenna pedestal, as shown and described.

DESCRIPTION

FIG. 1 is a front left perspective of an antenna pedestal in a first state showing our new design;
 FIG. 2 is a front view of the design shown in FIG. 1;
 FIG. 3 is a rear view of the design shown in FIG. 1;
 FIG. 4 is a left side view of the design shown in FIG. 1;
 FIG. 5 is a right side view of the design shown in FIG. 1;
 FIG. 6 is a top view of the design shown in FIG. 1;
 FIG. 7 is a front left perspective view of the design shown in FIG. 1 shown in an exemplary environment; and,
 FIG. 8 is a rear left perspective view of the design shown in FIG. 1 shown in an exemplary environment.
 The bottom of the design forms no part of the claimed design. The broken lines shown in the figures are included for the purpose of illustrating portions of the antenna pedestal that form no part of the claimed design.

1 Claim, 5 Drawing Sheets



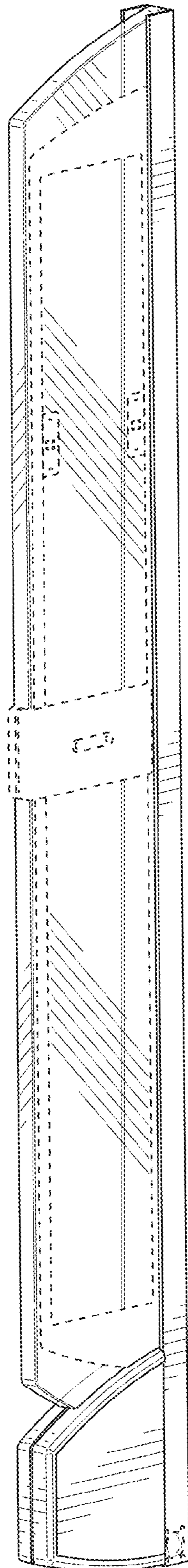


FIG. 1

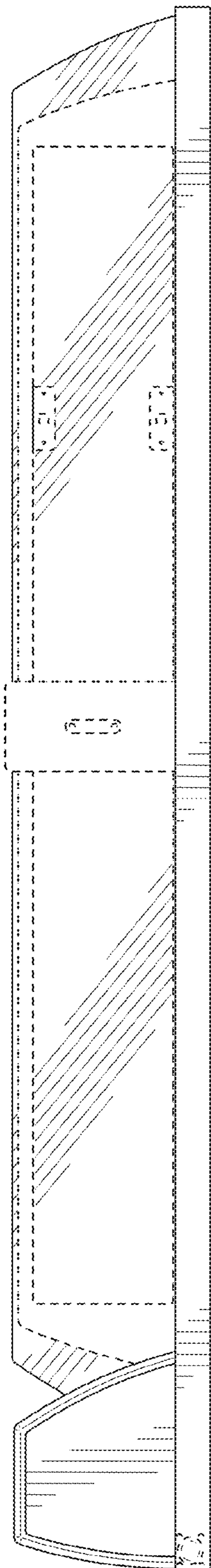


FIG. 2

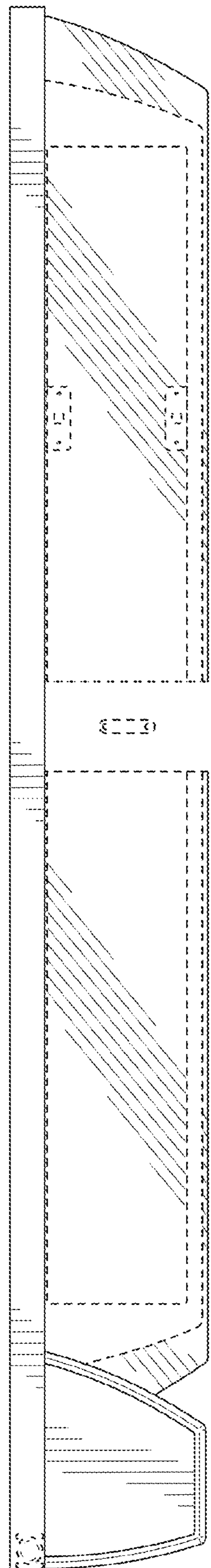


FIG. 3

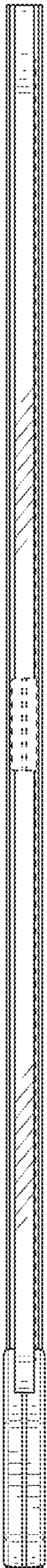


FIG. 4

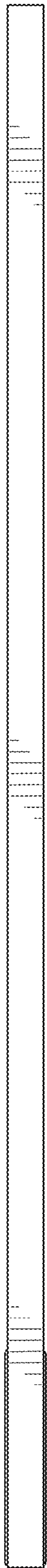


FIG. 5

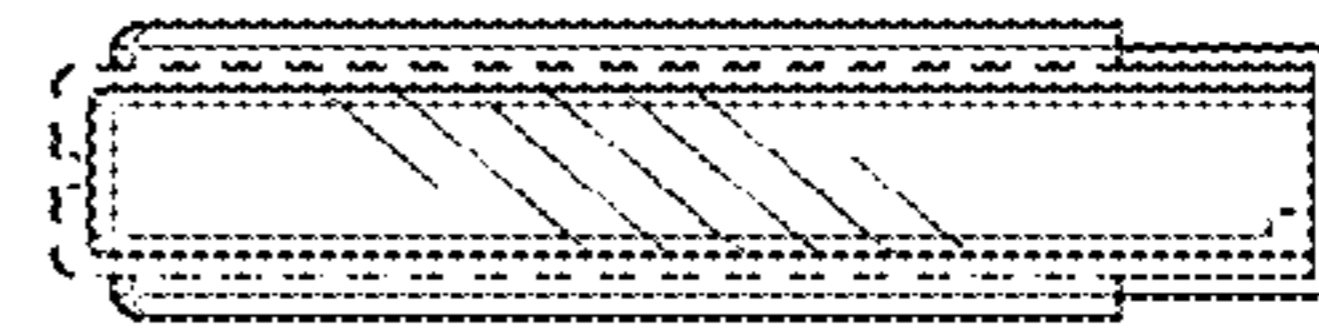


FIG. 6

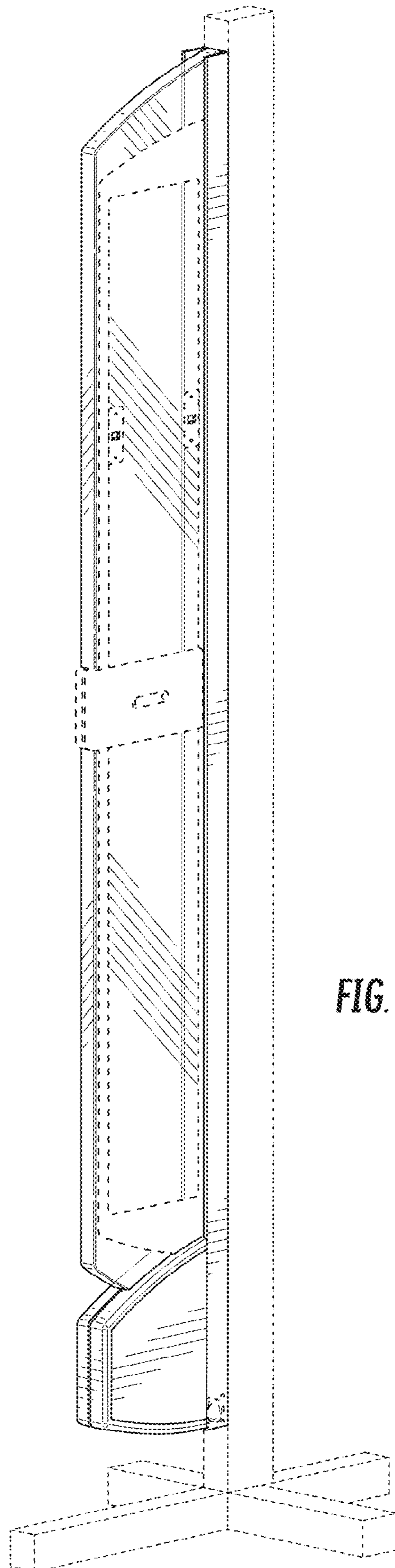


FIG. 7

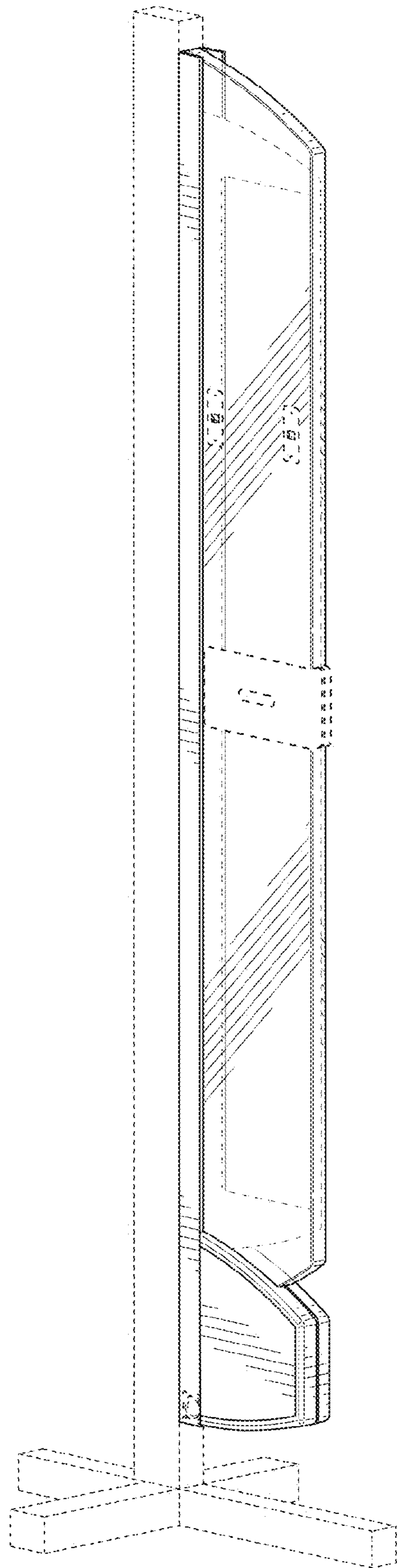


FIG. 8