



US00D961555S

(12) **United States Design Patent** (10) **Patent No.:** **US D961,555 S**
Ott et al. (45) **Date of Patent:** **** Aug. 23, 2022**

(54) **PAIR OF EARPHONES**
(71) Applicant: **Apple Inc.**, Cupertino, CA (US)
(72) Inventors: **Ryan Ott**, North Hollywood, CA (US); **Robert Boyd**, Los Angeles, CA (US); **Duy P. Le**, Los Angeles, CA (US); **Jeffrey Scott Croyle**, San Francisco, CA (US); **Matthew Phillip Casebolt**, Fremont, CA (US); **Matthew Vincent Costello**, Soquel, CA (US); **James Swasey**, Oakland, CA (US); **Guillaume Raoult**, San Francisco, CA (US); **Christopher Kuh**, San Francisco, CA (US); **Robert Brunner**, Glen Ellen, CA (US)

(73) Assignee: **Apple Inc.**, Cupertino, CA (US)

(**) Term: **15 Years**

(21) Appl. No.: **29/763,656**

(22) Filed: **Dec. 23, 2020**

(51) **LOC (13) Cl.** **14-01**

(52) **U.S. Cl.**
USPC **D14/223**

(58) **Field of Classification Search**
USPC D14/205, 207, 217, 221, 225; D24/106, D24/173, 174; D29/112
CPC H04R 1/10; H04R 1/1016; H04R 1/1066; H04R 1/105; H04R 1/1033; H04R 1/08; H04R 5/033; H04R 5/0335; H04R 25/00
See application file for complete search history.

(56) **References Cited**

U.S. PATENT DOCUMENTS

D801,314 S 10/2017 Akana et al.
D859,357 S * 9/2019 Lin D14/205
D860,976 S * 9/2019 Zhang D14/223
D870,695 S * 12/2019 Min D14/205
D896,200 S 9/2020 Ott et al.

D897,320 S 9/2020 Boyd et al.
D906,297 S 12/2020 Akana et al.
D939,478 S * 12/2021 Wu D14/223
2021/0152921 A1* 5/2021 Silva H04R 1/1058

FOREIGN PATENT DOCUMENTS

CN 306579171 * 6/2021

OTHER PUBLICATIONS

Xiaomi Redmi, first available Sep. 7, 2021 [online], [retrieved Mar. 28, 2022]. Available from the Internet, URL:<https://www.amazon.com/dp/B09C3W56FC/ref=cm_sw_em_r_mt_dp_RWAJZEBZ97MM38X3ZYY0>. (Year: 2021).*
Zoof Pro, first available Oct. 12, 2021 [online], [retrieved Mar. 28, 2022]. Available from the Internet, URL:<https://www.amazon.com/dp/B09HRYJ6G1/ref=cm_sw_em_r_mt_dp_2MTRCPTB465MK20P54TC?_encoding=UTF8&ppsc=1>. (Year: 2021).*

* cited by examiner

Primary Examiner — Dana K Weiland
Assistant Examiner — Russell Carnell Smith, Jr.
(74) *Attorney, Agent, or Firm* — Sterne, Kessler, Goldstein & Fox P.L.L.C.

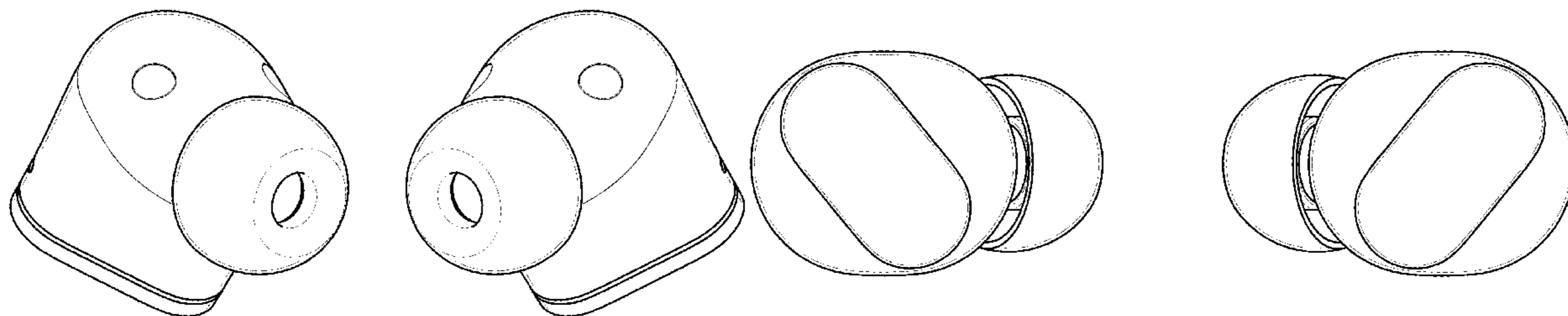
(57) **CLAIM**

The ornamental design for a pair of earphones, as shown and described.

DESCRIPTION

FIG. 1 is a top perspective view of a pair of earphones showing the claimed design;
FIG. 2 is a bottom perspective view thereof;
FIG. 3 is a front view thereof;
FIG. 4 is a rear view thereof;
FIG. 5 is a side view thereof;
FIG. 6 is an opposing side view thereof;
FIG. 7 is a top view thereof; and,
FIG. 8 is a bottom view thereof.

1 Claim, 8 Drawing Sheets



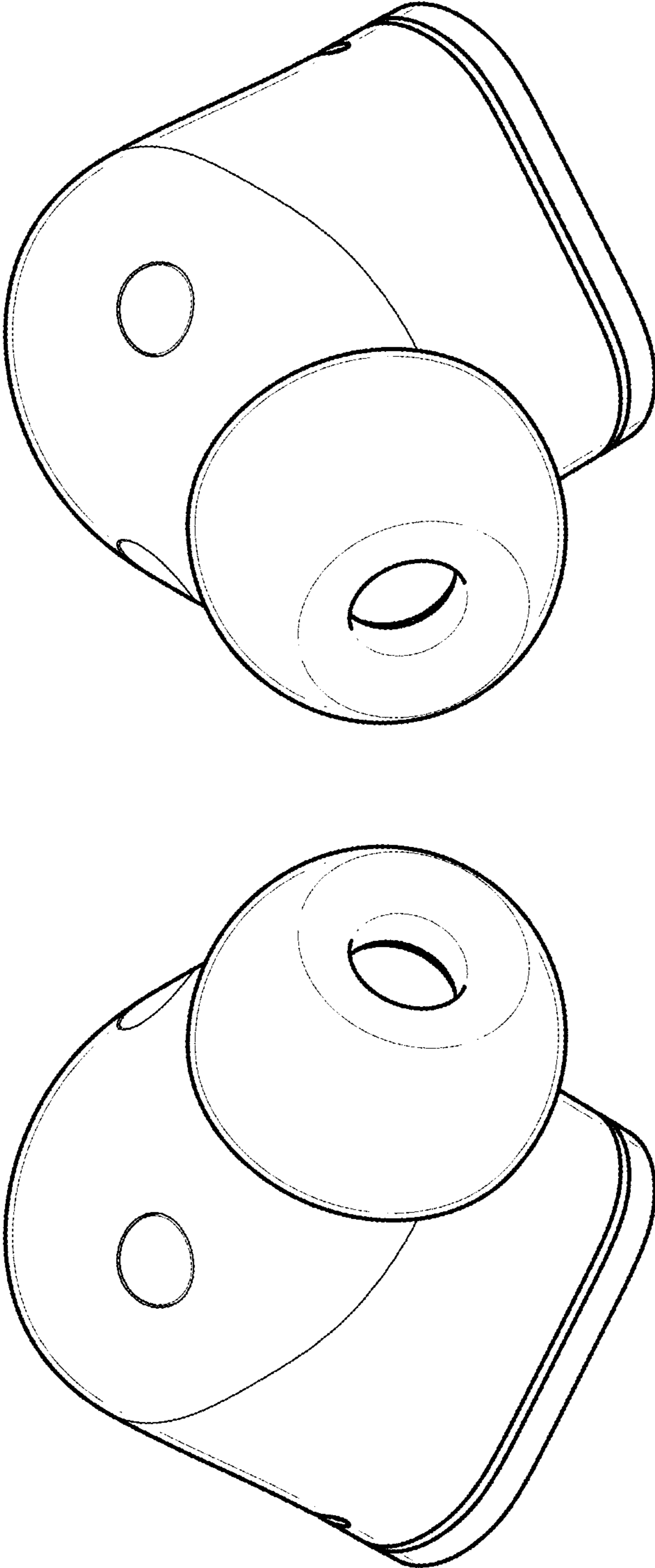


FIG. 1

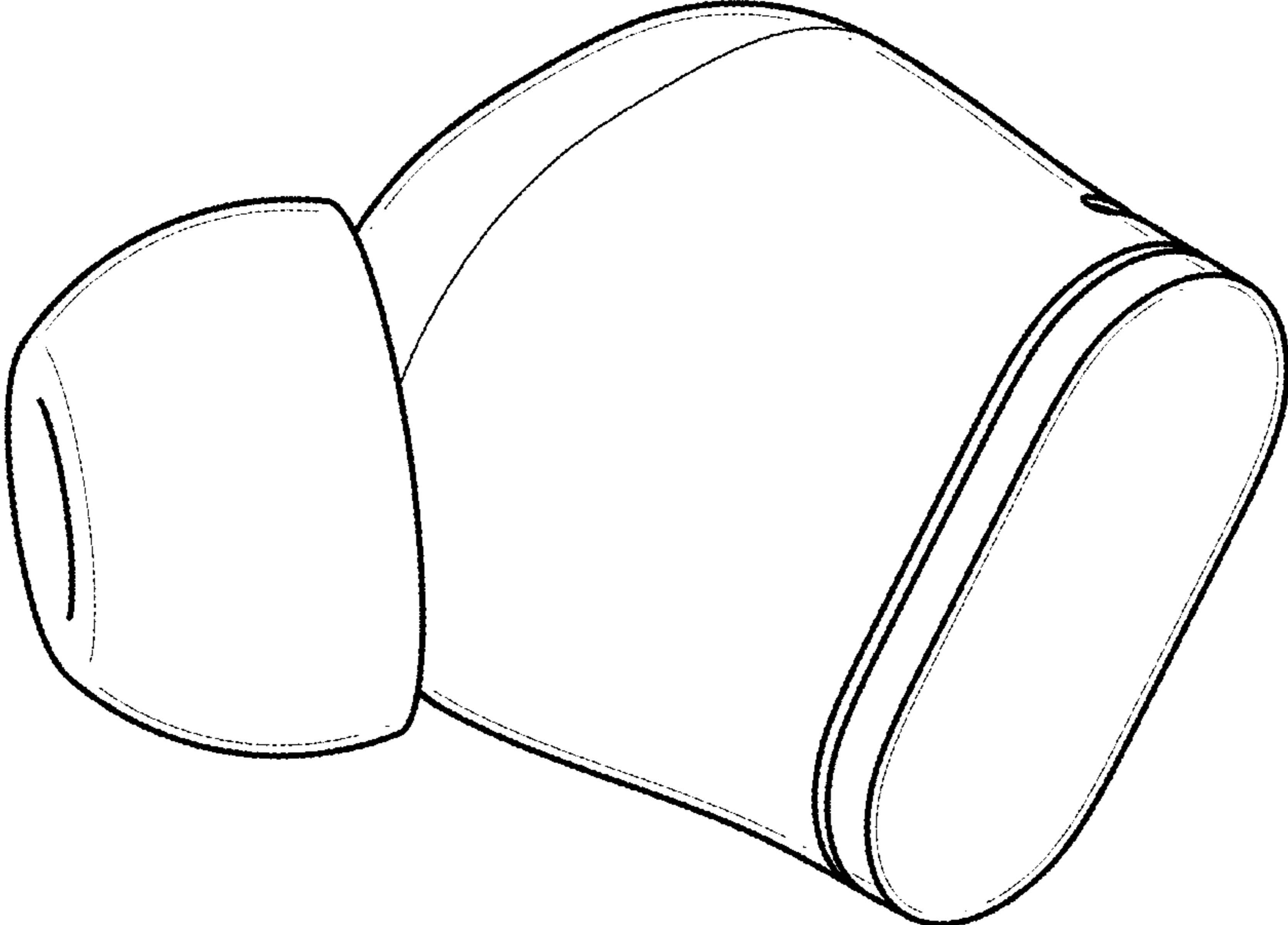
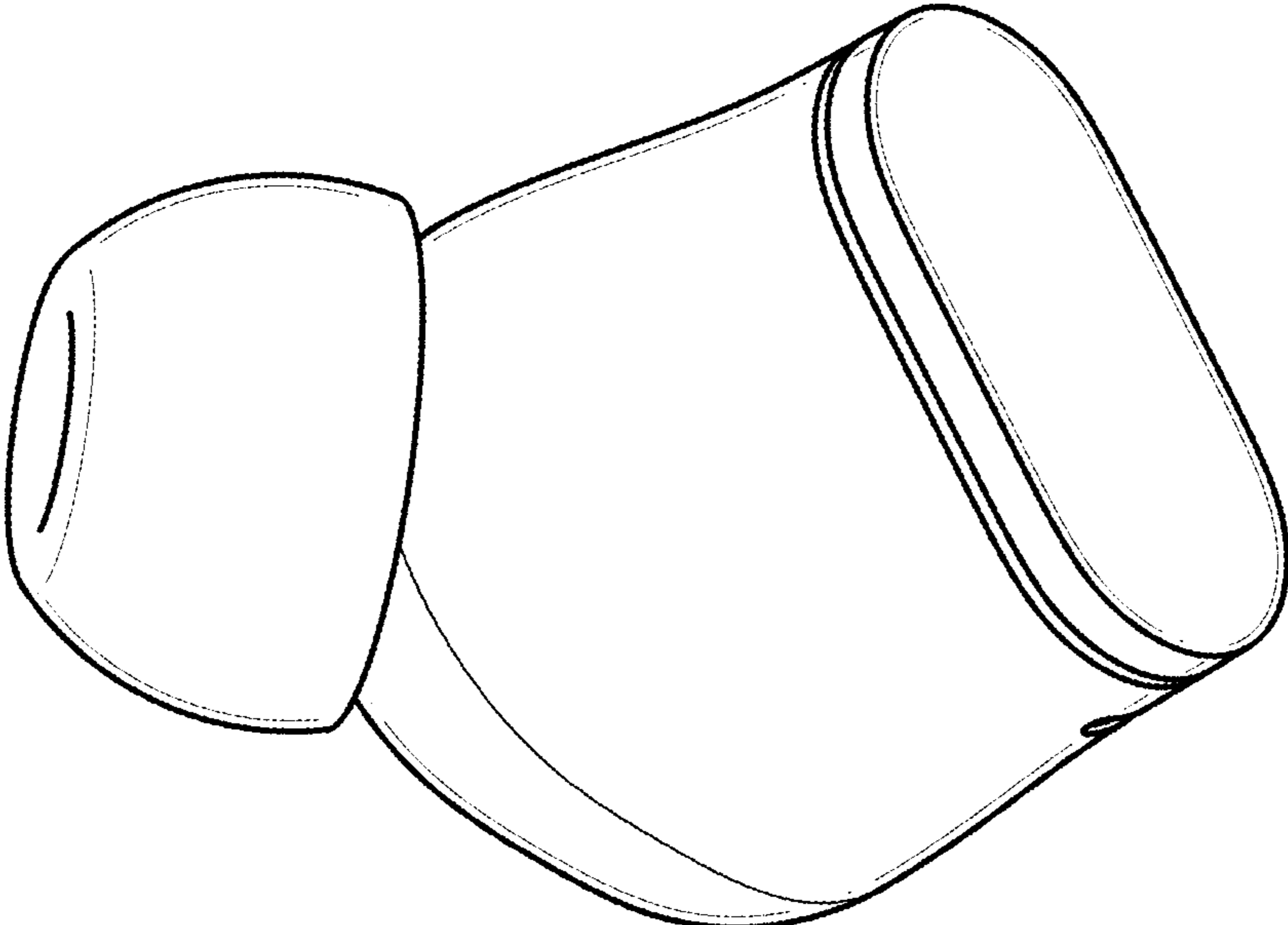


FIG. 2



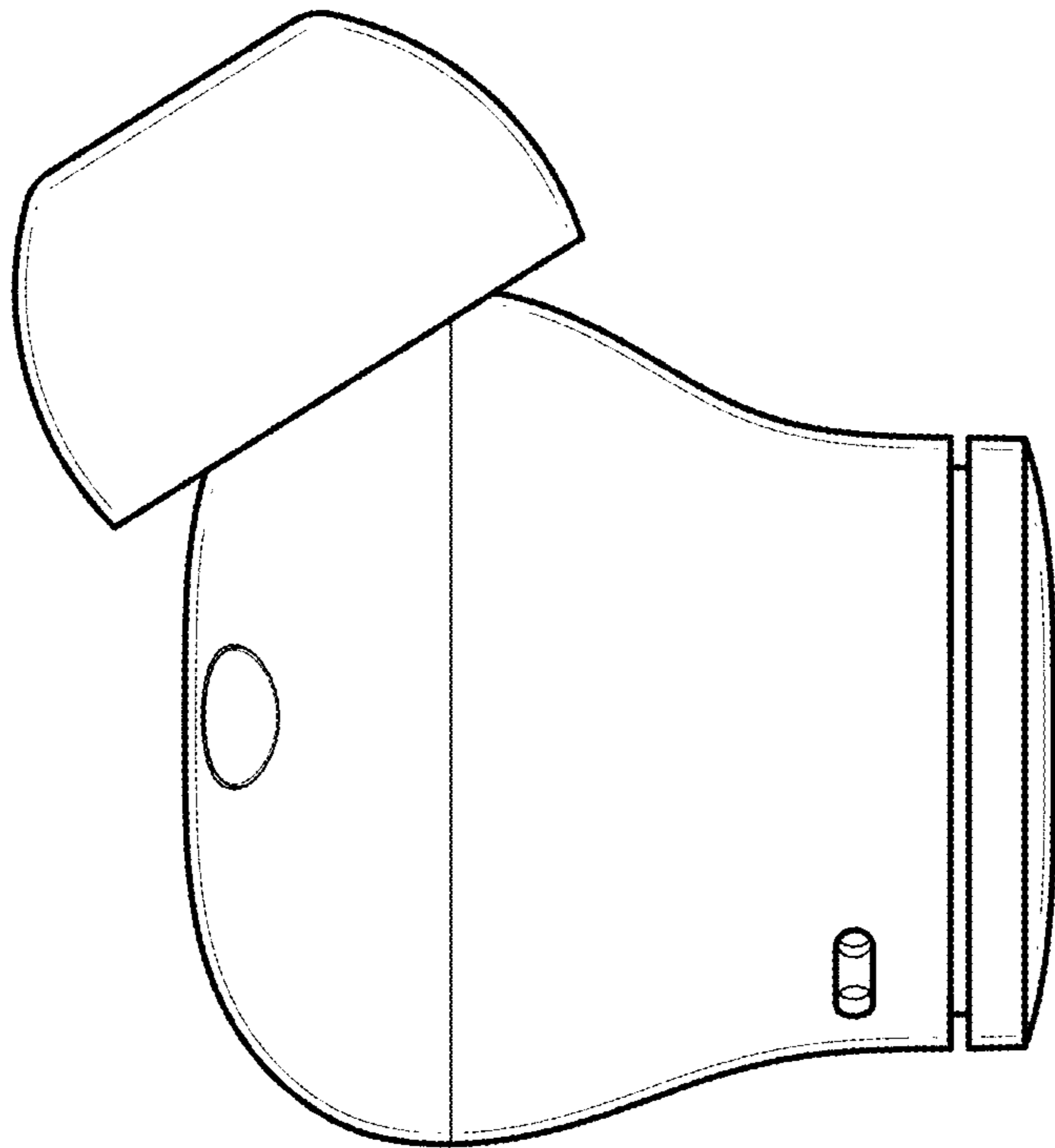
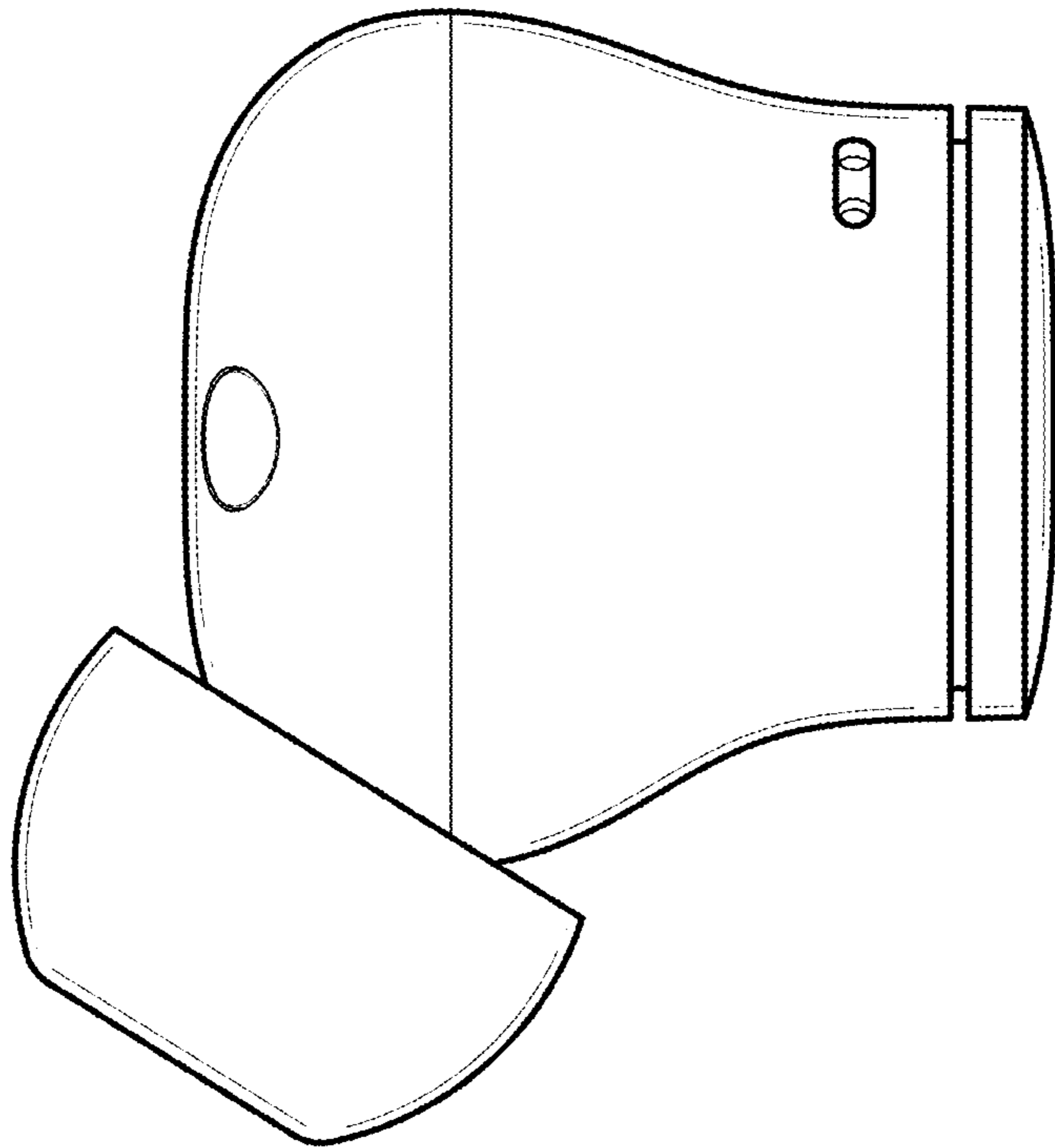


FIG. 3

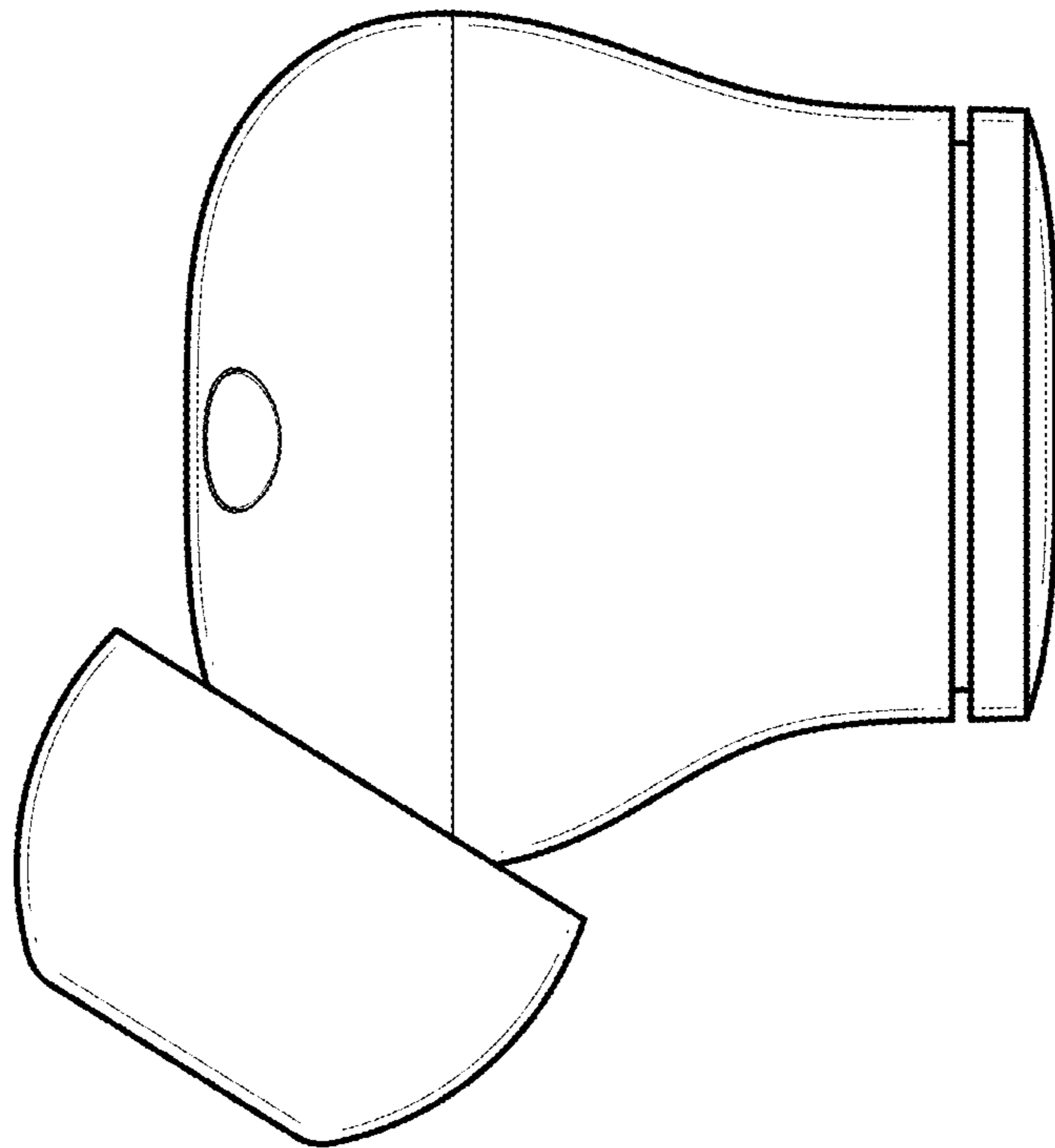
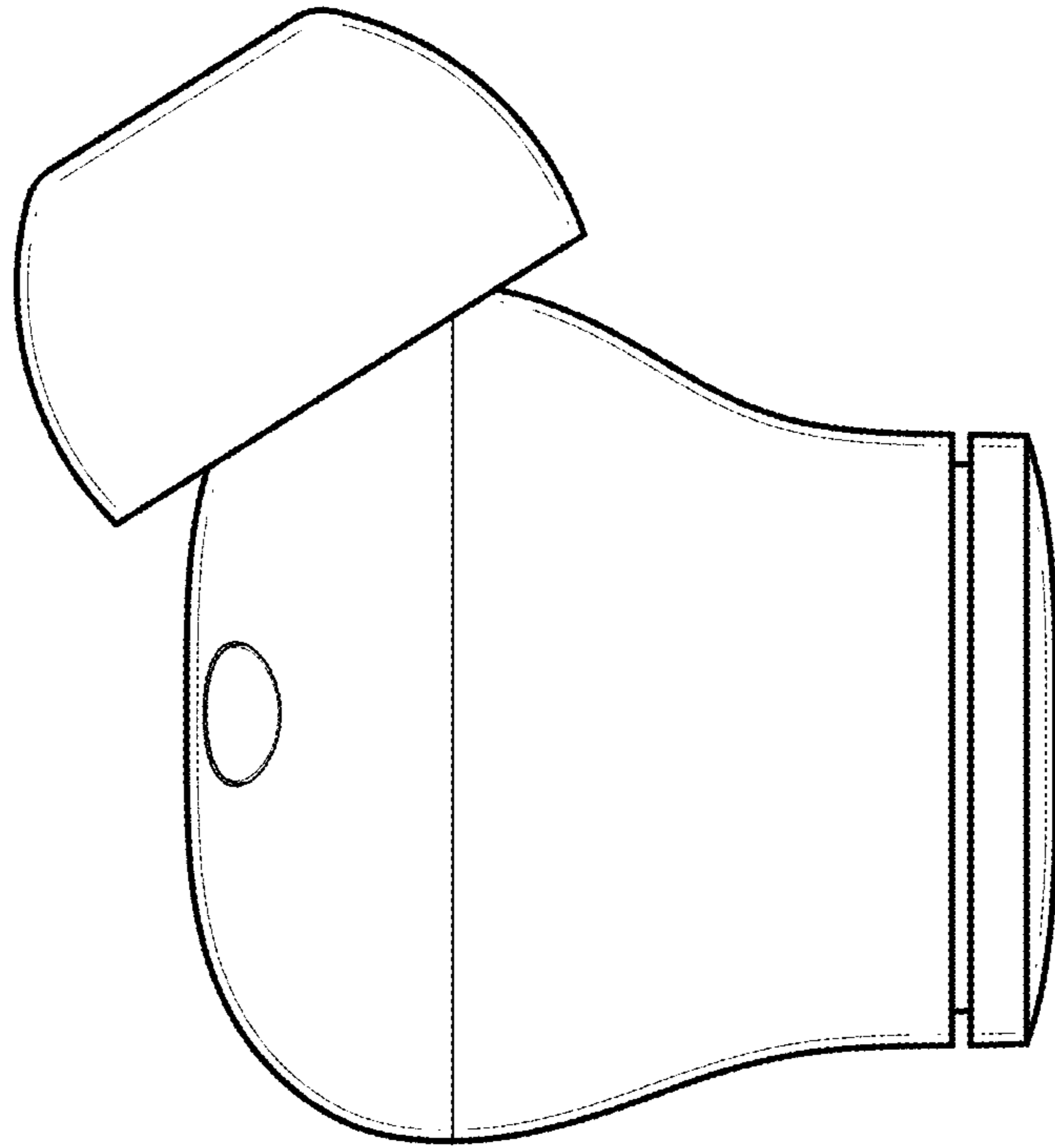


FIG. 4

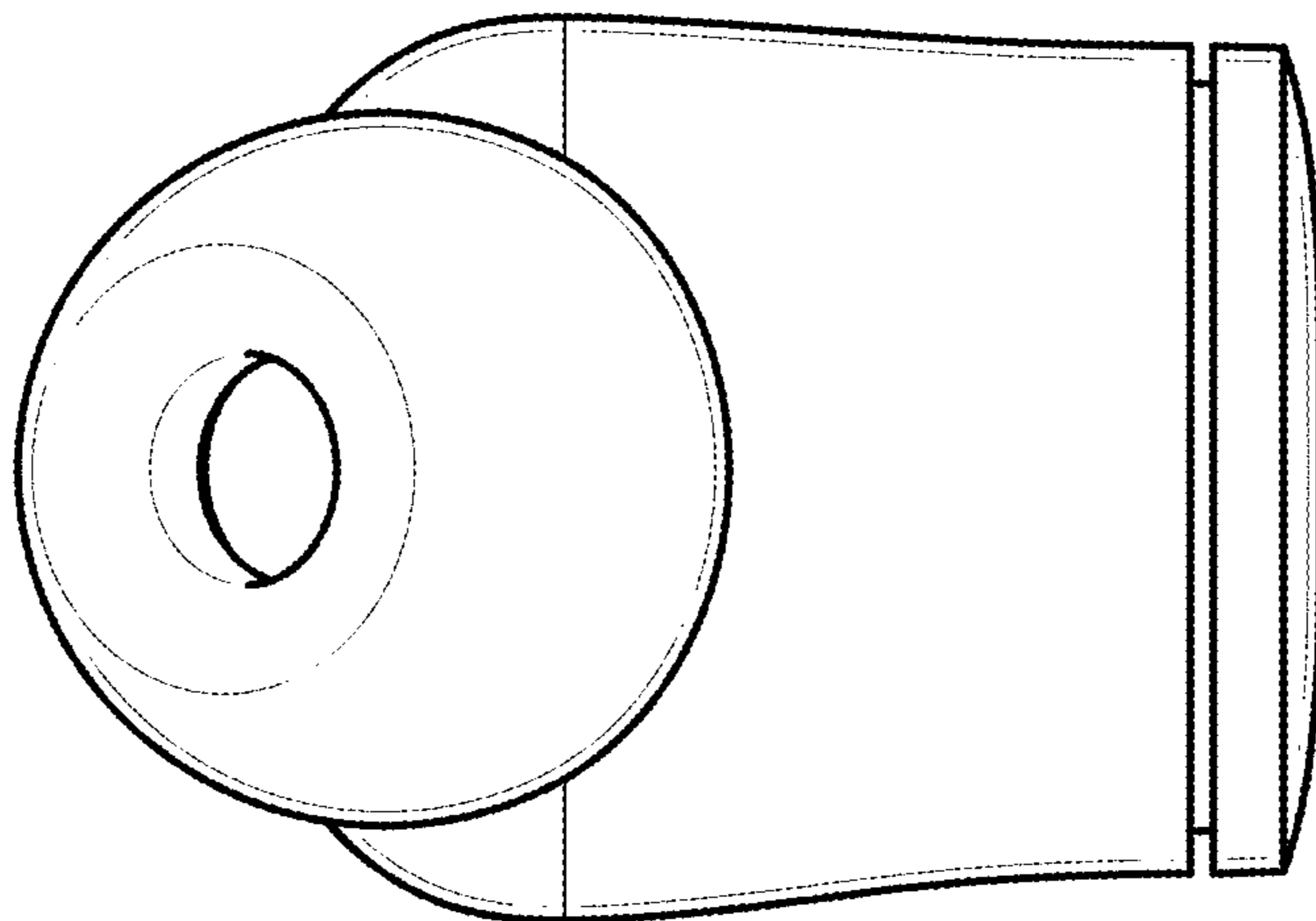
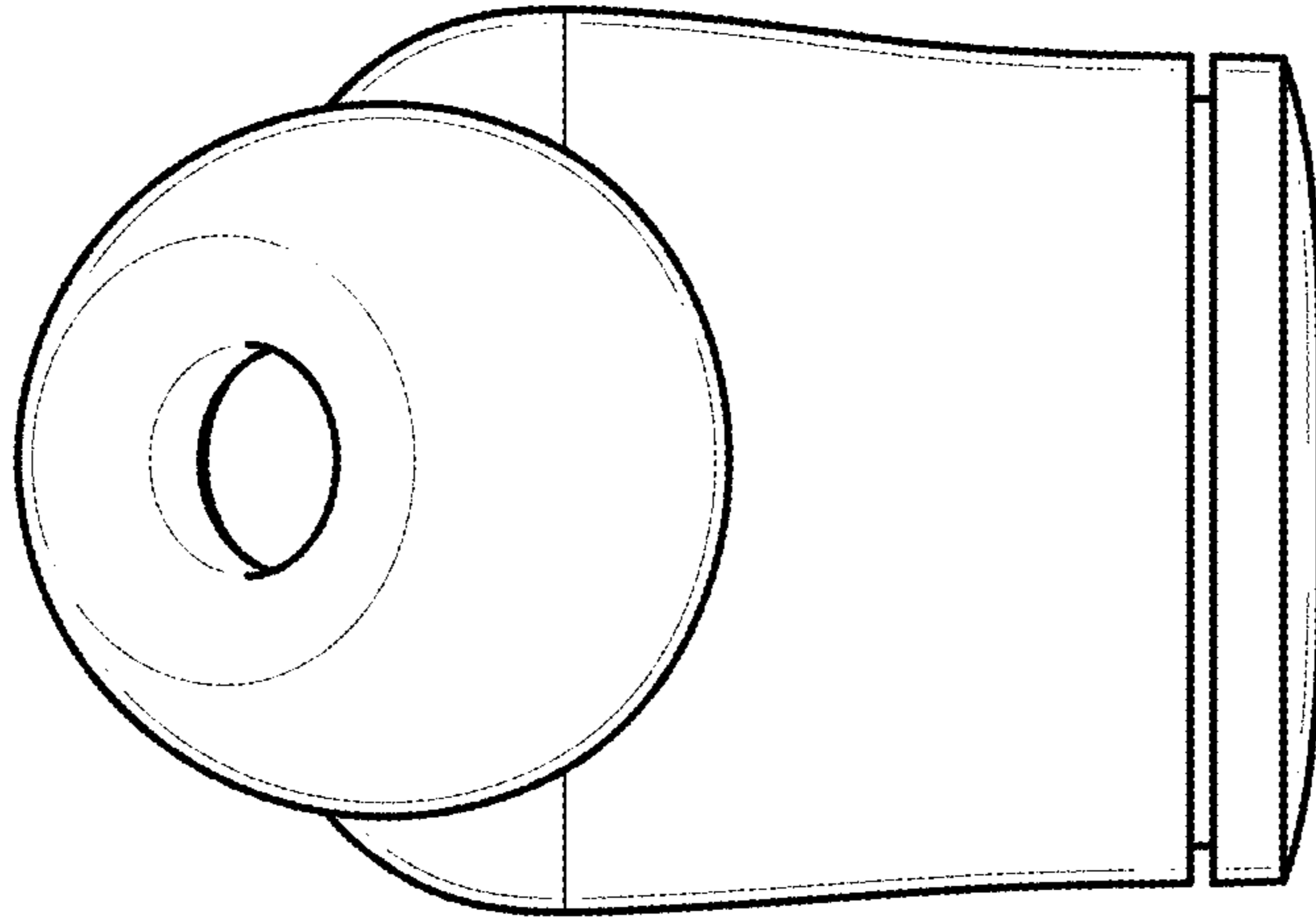


FIG. 5

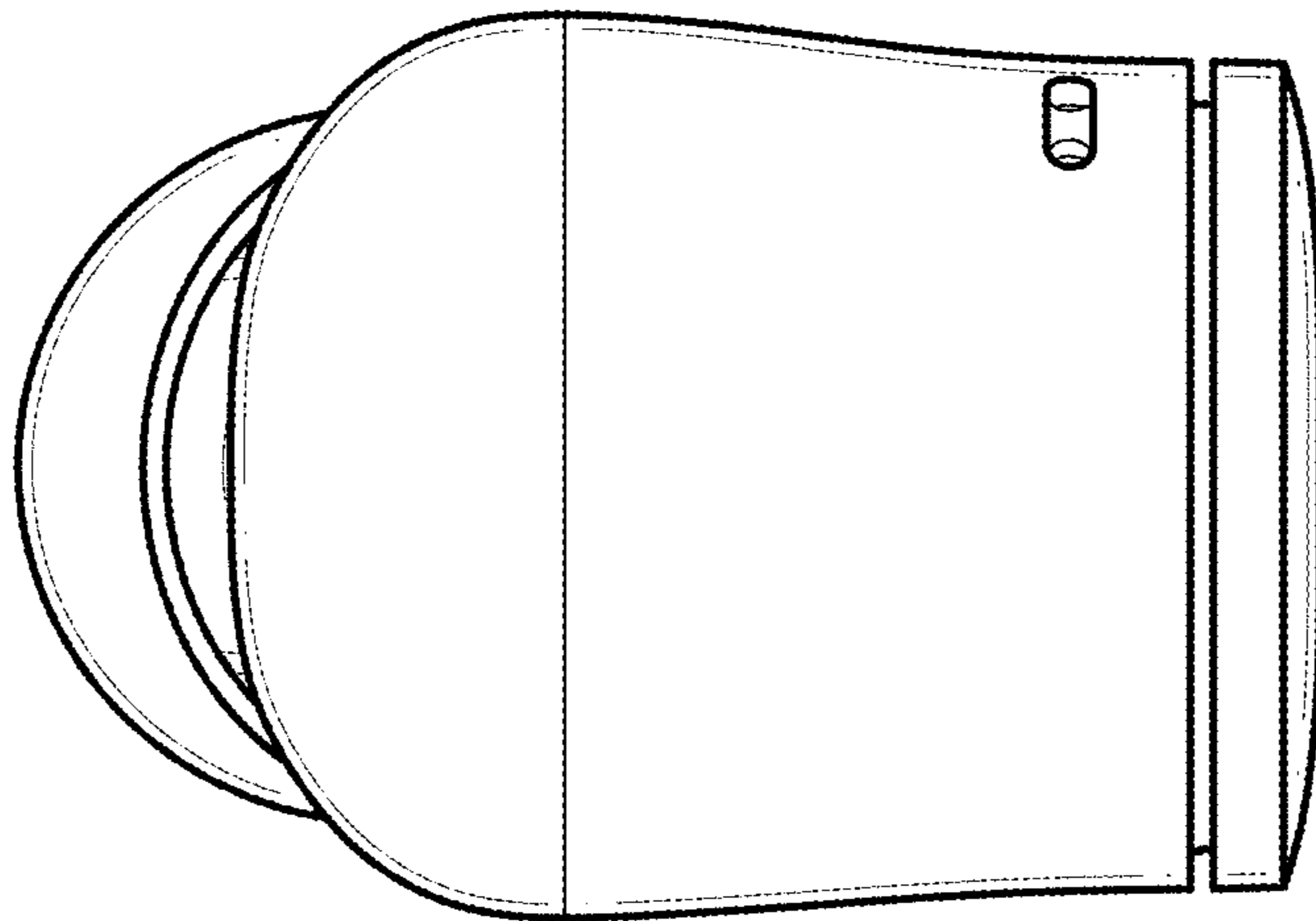
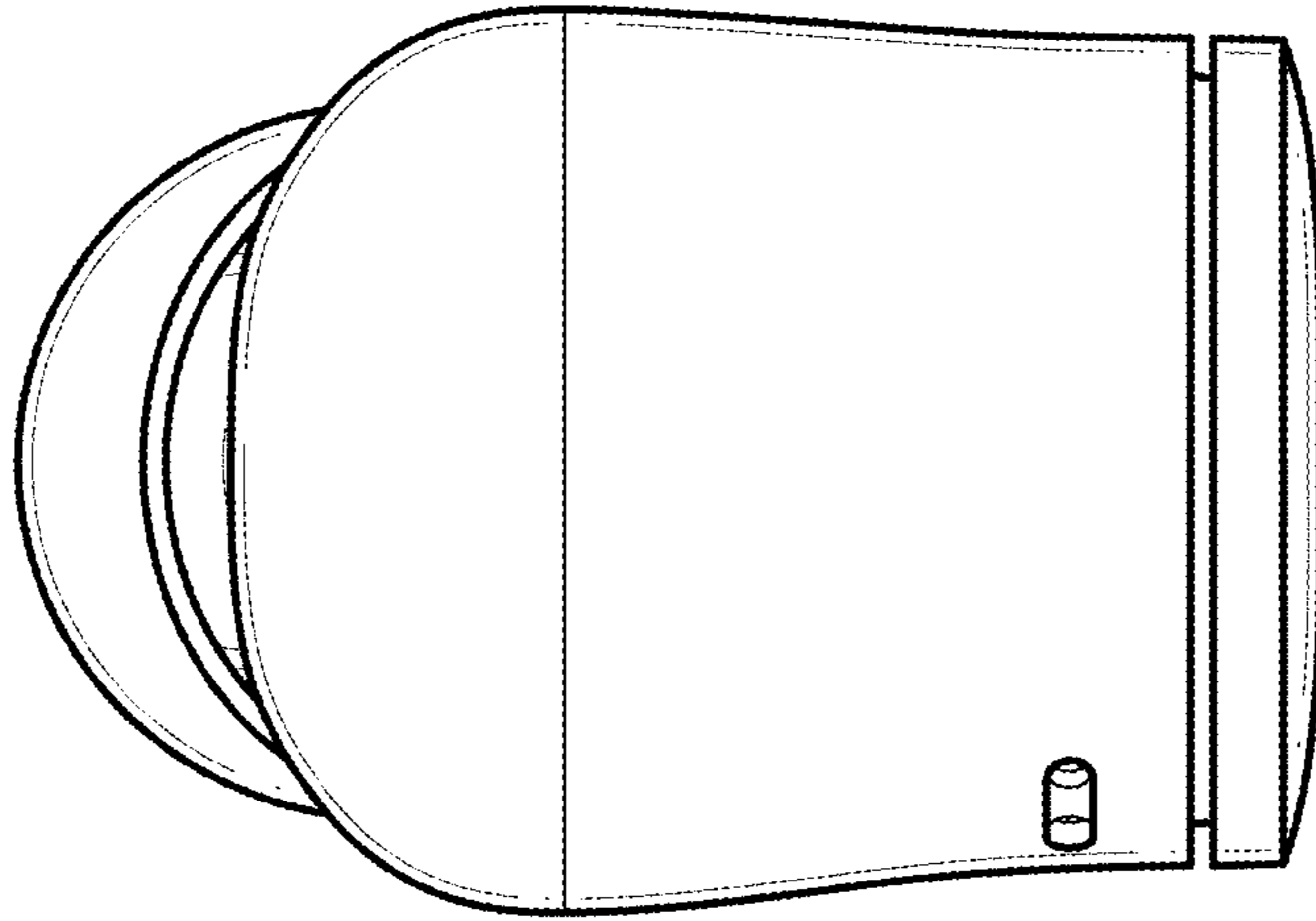


FIG. 6

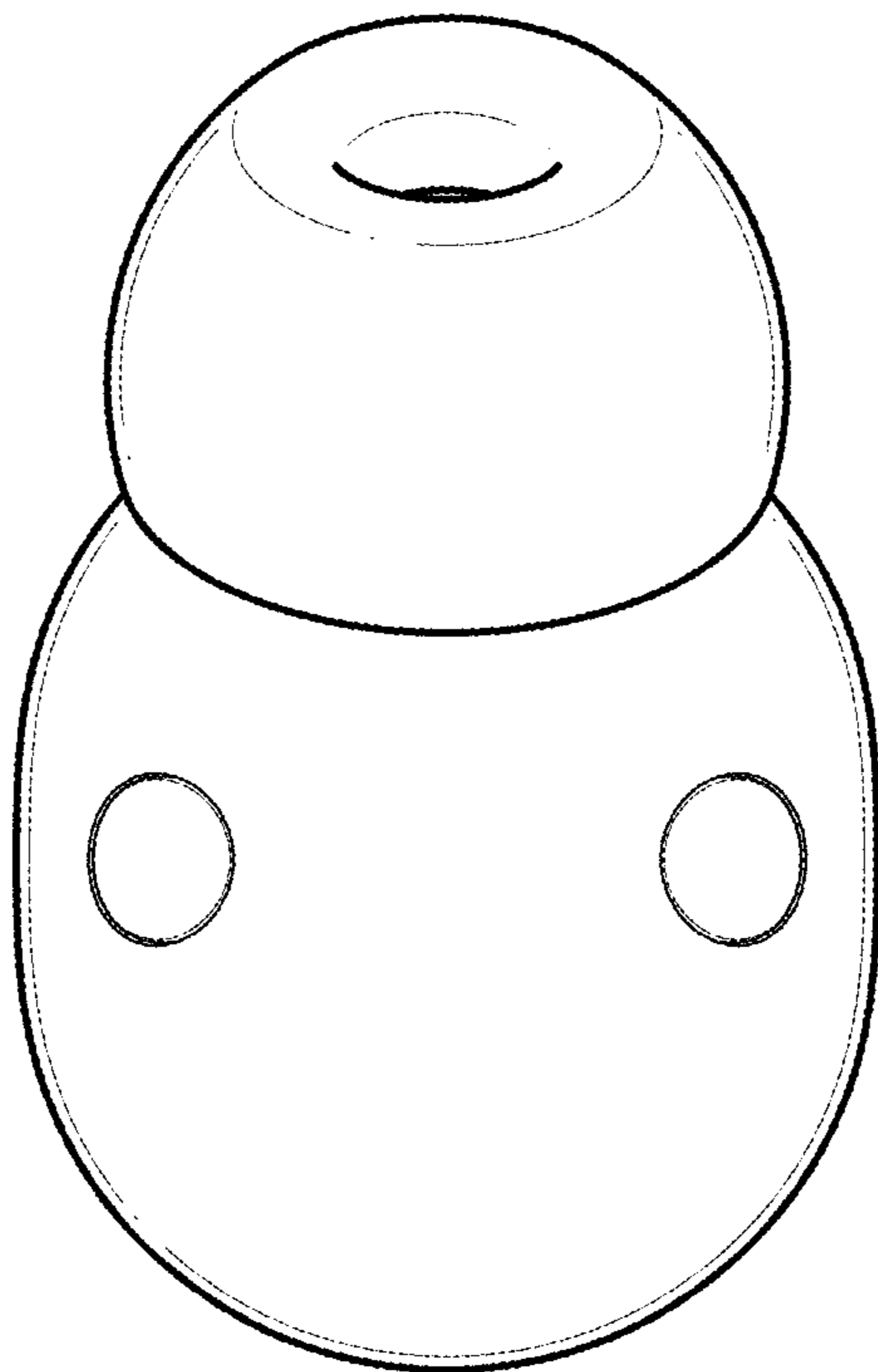
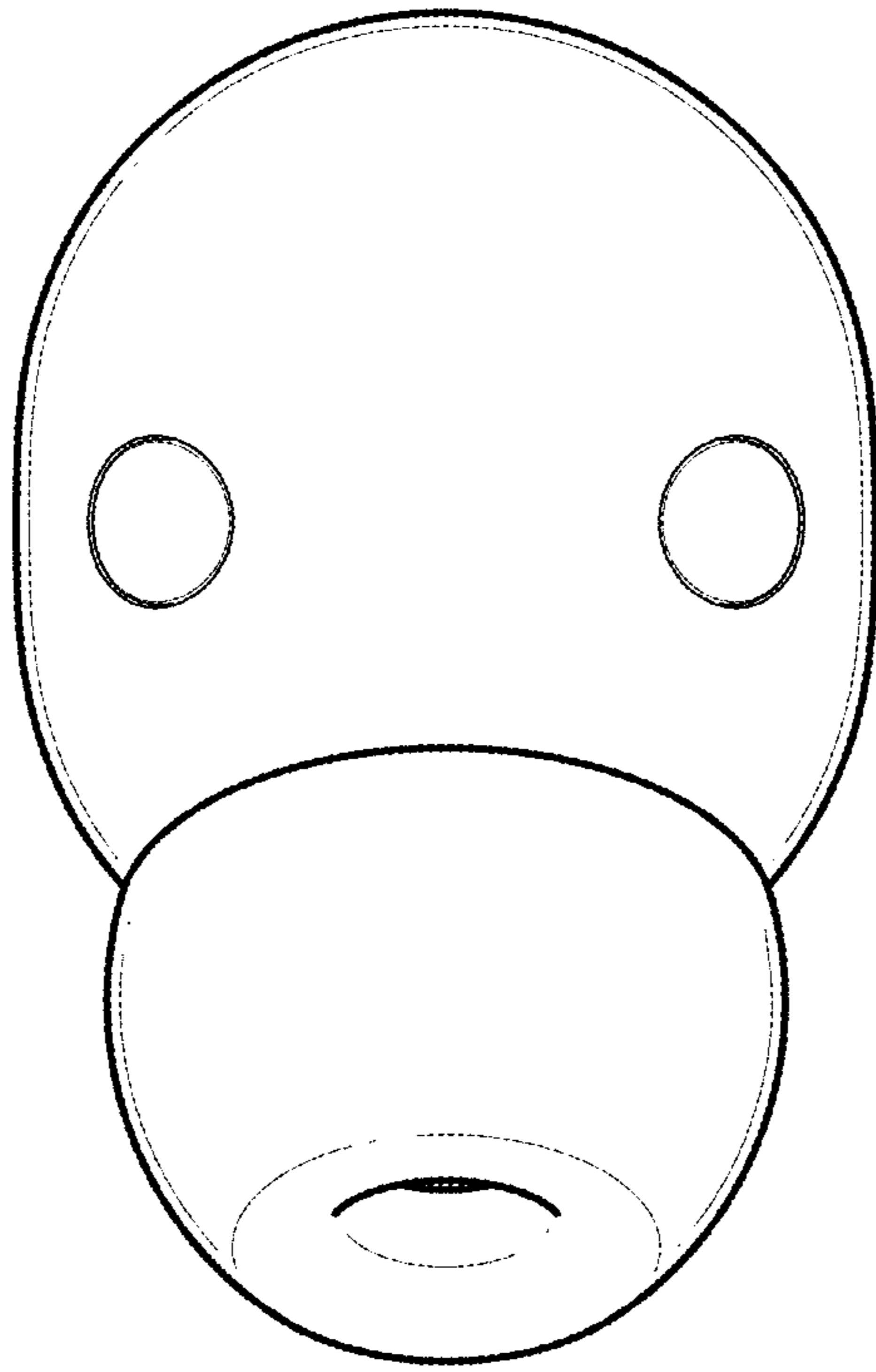


FIG. 7

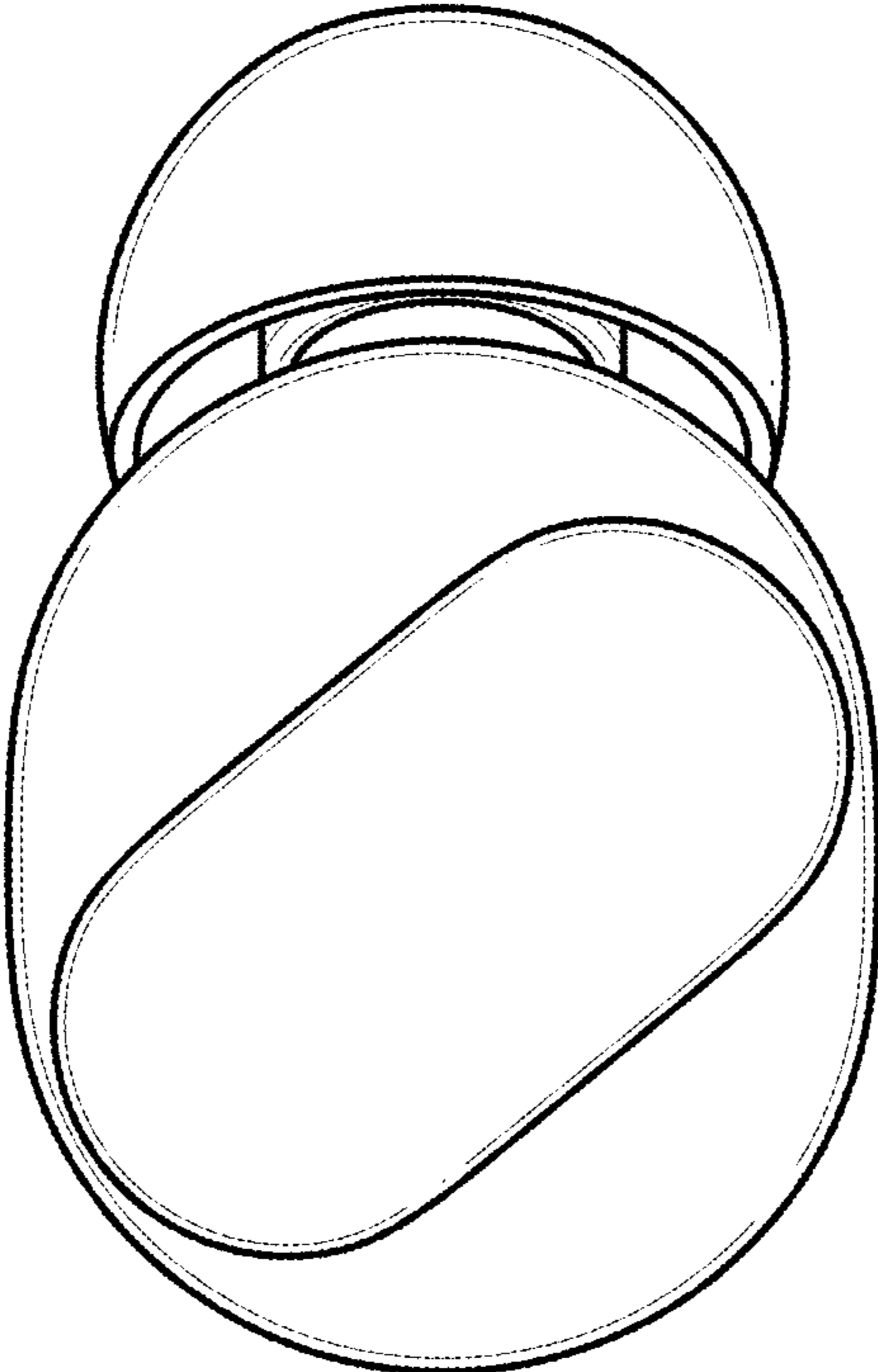
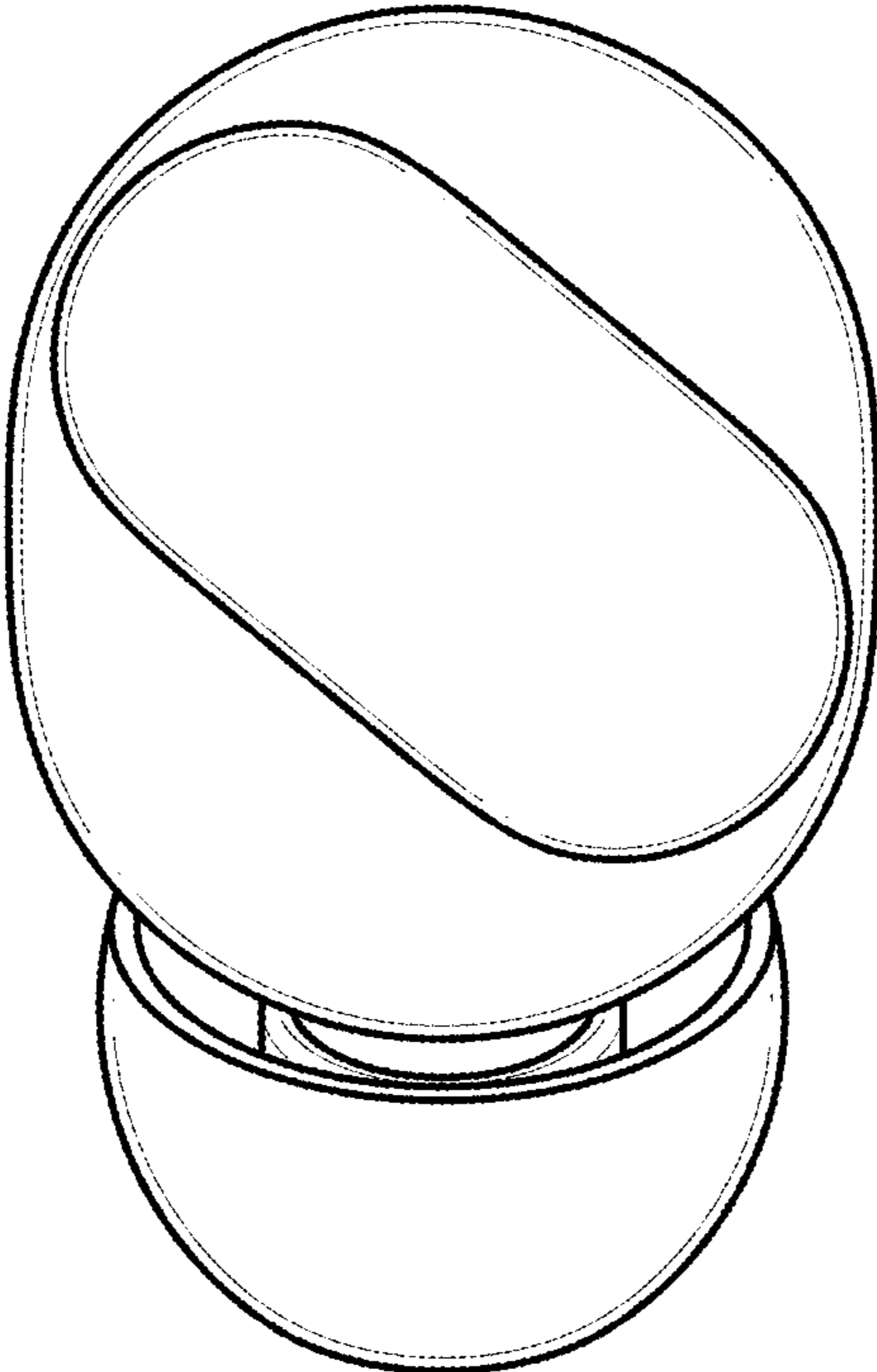


FIG. 8