



US00D961554S

(12) **United States Design Patent**
Feng et al.

(10) **Patent No.:** **US D961,554 S**
(45) **Date of Patent:** **** Aug. 23, 2022**

(54) **EARPLUG**

(71) Applicant: **DONGGUAN LUXSHARE
PRECISION INDUSTRY CO. LTD.,**
Dongguan (CN)

(72) Inventors: **Yun Feng**, Dongguan (CN); **GuoQin
Huang**, Dongguan (CN); **Yong Huang**,
Dongguan (CN)

(73) Assignee: **DONGGUAN LUXSHARE
PRECISION INDUSTRY CO., LTD.,**
Dongguan (CN)

(**) Term: **15 Years**

(21) Appl. No.: **29/761,748**

(22) Filed: **Dec. 11, 2020**

(30) **Foreign Application Priority Data**

Oct. 9, 2020 (CN) 202030597661.3

(51) **LOC (13) Cl.** **14-01**

(52) **U.S. Cl.**
USPC **D14/223; D24/106**

(58) **Field of Classification Search**
USPC D24/106, 173, 174; D14/223; D29/112
(Continued)

(56) **References Cited**

U.S. PATENT DOCUMENTS

D587,247 S * 2/2009 Densho D14/223
D614,172 S * 4/2010 Brennwald D14/223
(Continued)

FOREIGN PATENT DOCUMENTS

CN 305743663 S 4/2020
CN 305851247 * 6/2020
(Continued)

Primary Examiner — Leanne Was-Englehart

(74) *Attorney, Agent, or Firm* — Birch, Stewart, Kolasch
& Birch, LLP

(57) **CLAIM**

The ornamental design for an earplug, as shown and
described.

DESCRIPTION

FIG. 1 is a top perspective view of the first embodiment for
an earplug showing my new design;
FIG. 2 is a bottom perspective view of the first embodiment
for an earplug thereof;
FIG. 3 is a front view of the first embodiment for an earplug
thereof;
FIG. 4 is a rear view of the first embodiment for an earplug
thereof;
FIG. 5 is a left side view of the first embodiment for an
earplug thereof;
FIG. 6 is a right side view of the first embodiment for an
earplug thereof;
FIG. 7 is a top view of the first embodiment for an earplug
thereof;
FIG. 8 is a bottom view of the first embodiment for an
earplug thereof;
FIG. 9 is a top perspective view of the second embodiment
for an earplug showing my new design;
FIG. 10 is a bottom perspective view of the second embodi-
ment for an earplug thereof;
FIG. 11 is a front view of the second embodiment for an
earplug thereof;
FIG. 12 is a rear view of the second embodiment for an
earplug thereof;
FIG. 13 is a left side view of the second embodiment for an
earplug thereof;
FIG. 14 is a right side view of the second embodiment for
an earplug thereof;
FIG. 15 is a top view of the second embodiment for an
earplug thereof;
FIG. 16 is a bottom view of the second embodiment for an
earplug thereof;
FIG. 17 is a top perspective view of the third embodiment
for an earplug showing my new design;

(Continued)

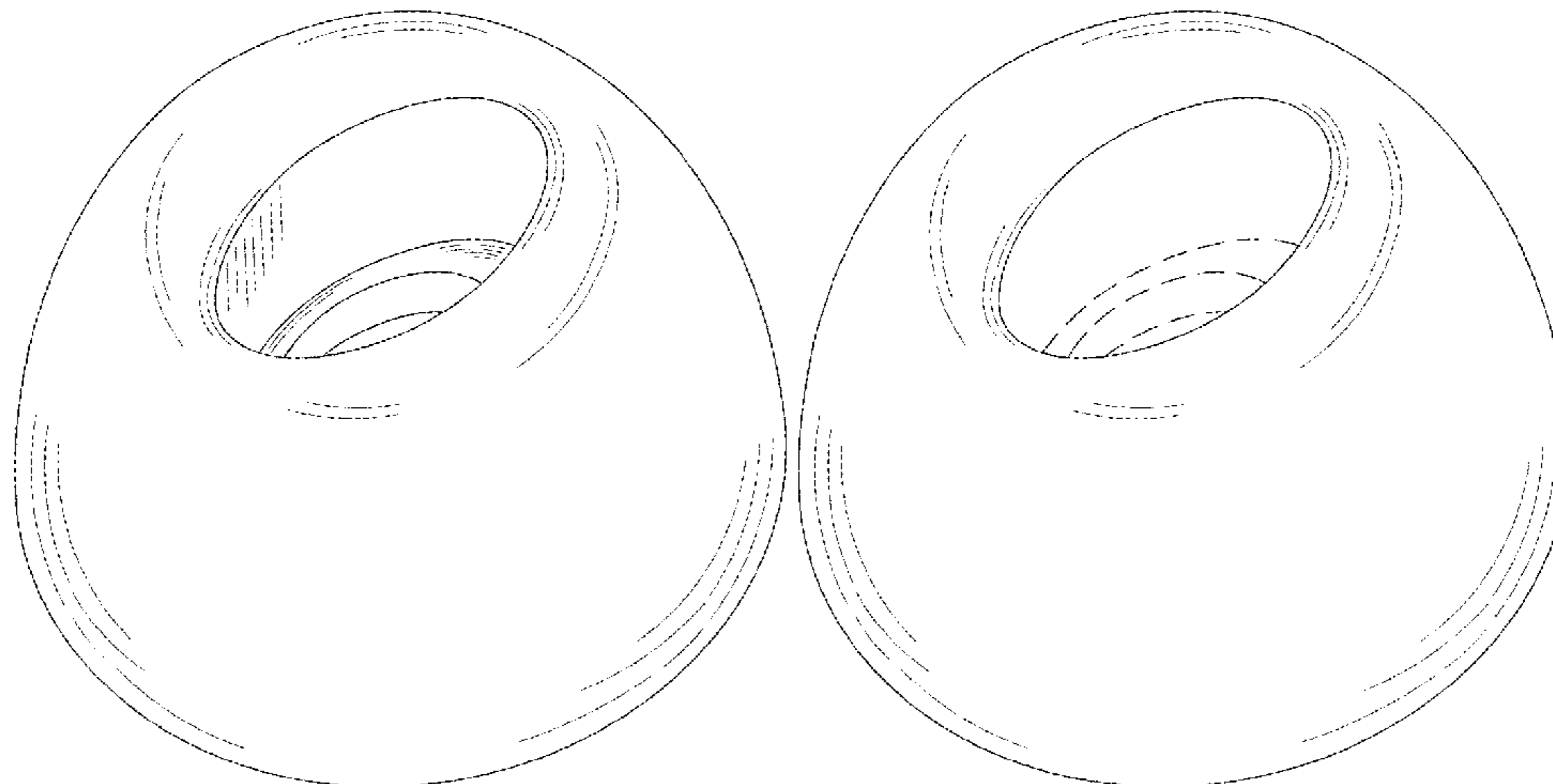


FIG. 18 is a bottom perspective view of the third embodiment for an earplug thereof;
 FIG. 19 is a front view of the third embodiment for an earplug thereof;
 FIG. 20 is a rear view of the third embodiment for an earplug thereof;
 FIG. 21 is a left side view of the third embodiment for an earplug thereof;
 FIG. 22 is a right side view of the third embodiment for an earplug thereof;
 FIG. 23 is a top view of the third embodiment for an earplug thereof; and,
 FIG. 24 is a bottom view of the third embodiment for an earplug thereof.
 The broken lines shown represent portions of an earplug that form no part of the claimed design.

1 Claim, 24 Drawing Sheets

(58) **Field of Classification Search**

CPC A61F 11/08; A61F 11/085; H04R 1/1016;
 H04R 1/12; H04R 5/033
 See application file for complete search history.

(56) **References Cited**

U.S. PATENT DOCUMENTS

D618,209 S * 6/2010 Andre D14/223
 D633,086 S * 2/2011 Chen D14/223

D643,416 S * 8/2011 Chong D14/223
 8,348,011 B1 * 1/2013 Huang H04R 25/656
 381/328
 D698,023 S * 1/2014 Iseberg D24/174
 D755,158 S * 5/2016 Lee D14/223
 D842,844 S * 3/2019 Li D14/223
 D852,784 S * 7/2019 Cramer H04R 1/105
 D14/223
 D872,061 S * 1/2020 Cui D14/223
 D881,166 S * 4/2020 Lee D14/223
 D887,558 S * 6/2020 Kim D24/174
 D888,690 S * 6/2020 Yan D14/223
 D892,771 S * 8/2020 Zhao D14/223
 D896,206 S * 9/2020 Xu D14/223
 D909,347 S * 2/2021 Akana D14/223
 D922,357 S * 6/2021 Yang D14/223
 D926,730 S * 8/2021 Ke D14/223
 D928,745 S * 8/2021 Akana D14/223
 D929,374 S * 8/2021 Akana D14/223
 D929,967 S * 9/2021 Kim D14/223
 D940,108 S * 1/2022 Wu D14/223
 D951,917 S * 5/2022 Chen D14/223
 D954,027 S * 6/2022 Chen D14/223
 2017/0188133 A1 * 6/2017 Olson H04R 1/1016
 2022/0038806 A1 * 2/2022 Cheng B29C 45/006

FOREIGN PATENT DOCUMENTS

CN 305938701 S 7/2020
 CN 305940604 S 7/2020
 CN 306026393 * 9/2020
 CN 306402086 * 3/2021
 JP HJ2201108100 5/2010

* cited by examiner

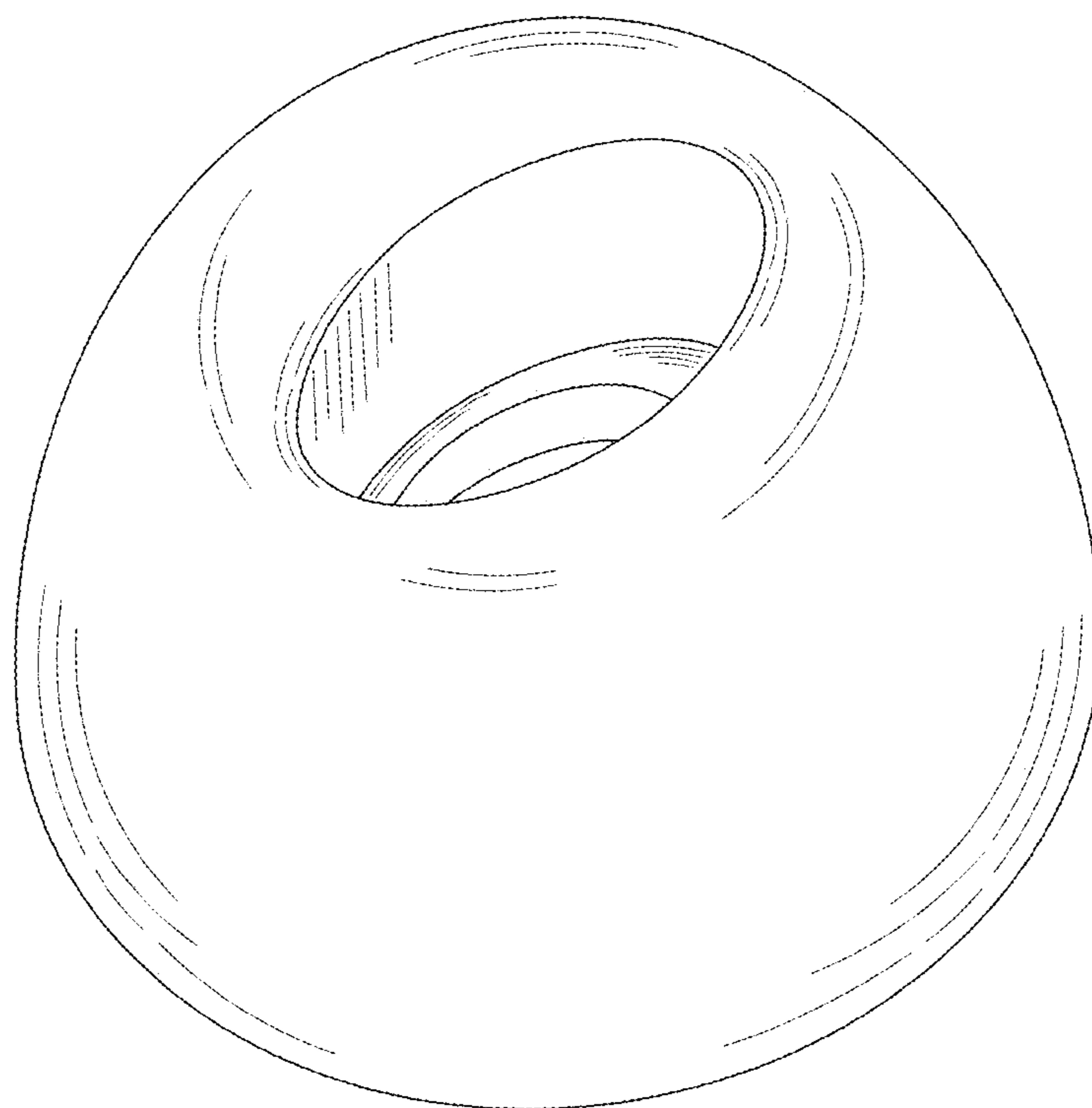


FIG. 1

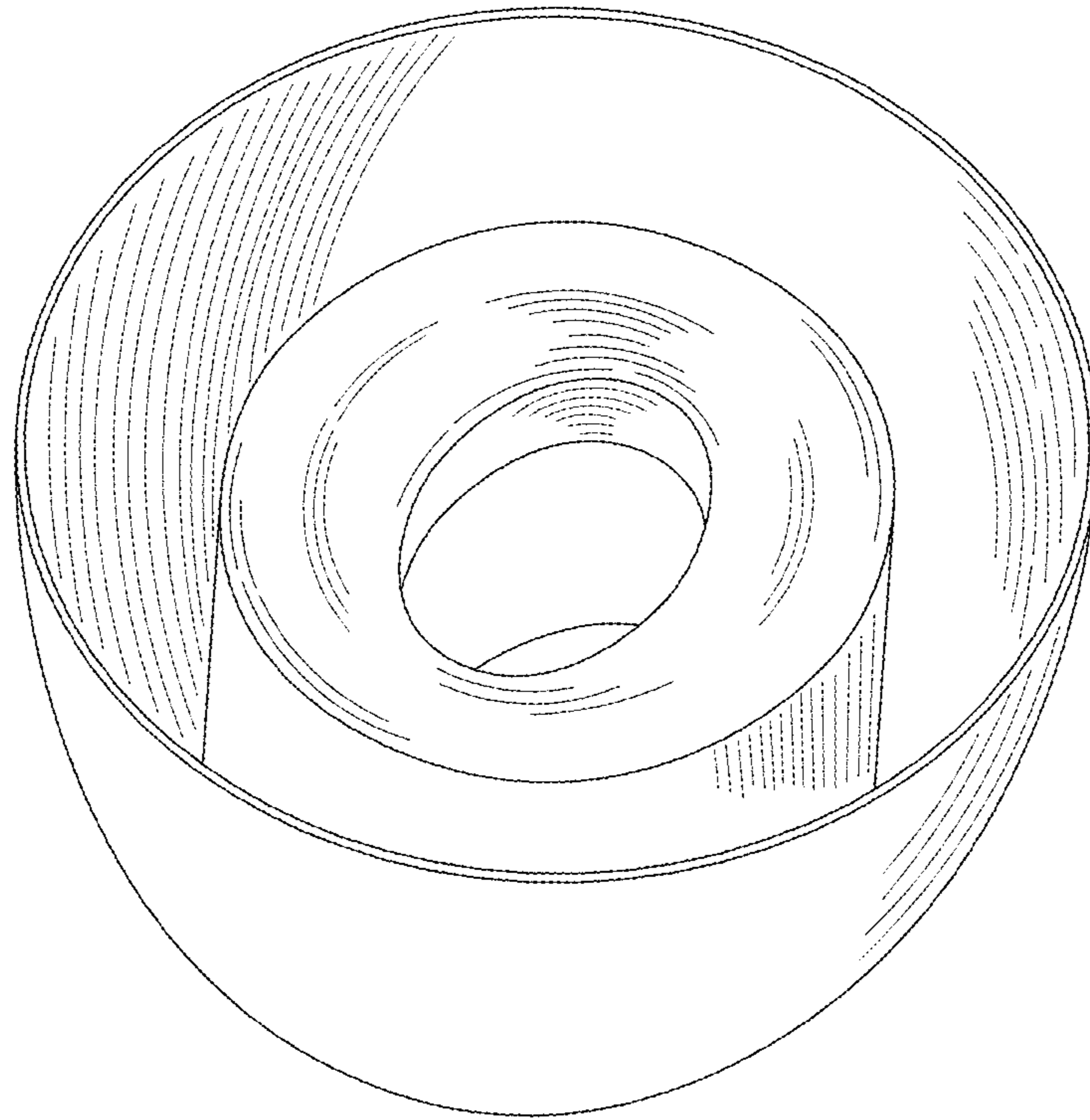


FIG. 2

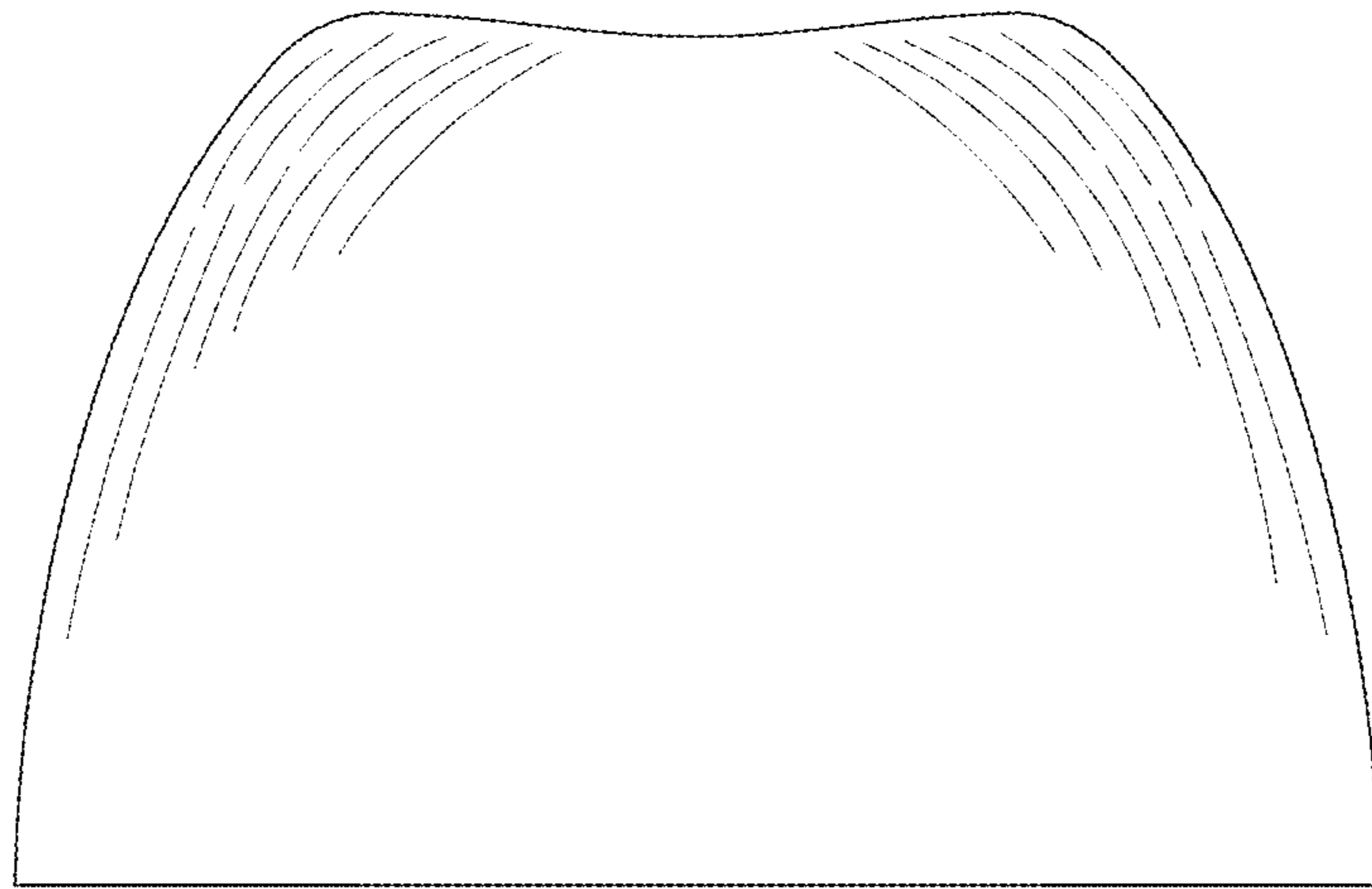


FIG. 3

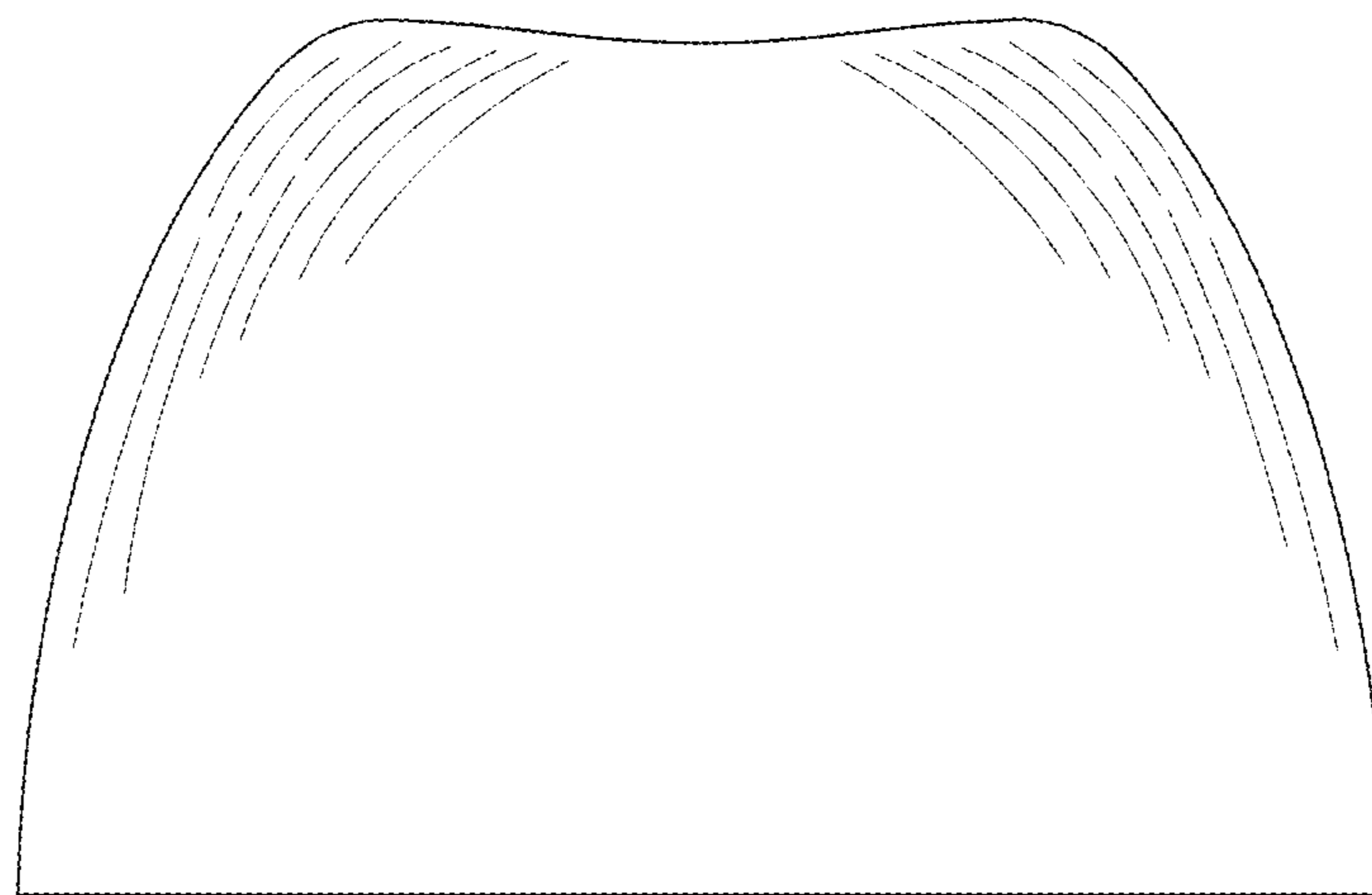


FIG. 4

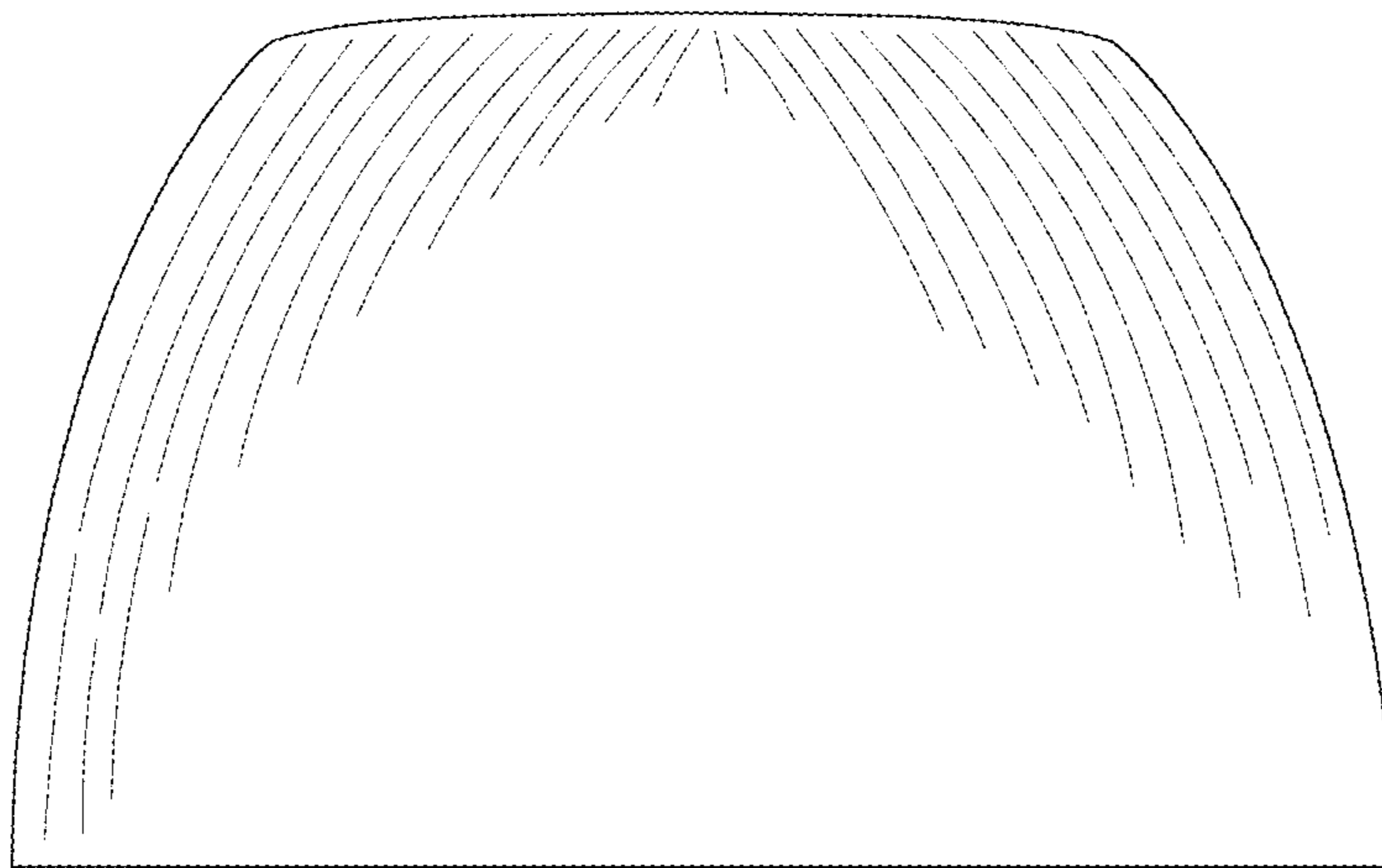


FIG. 5

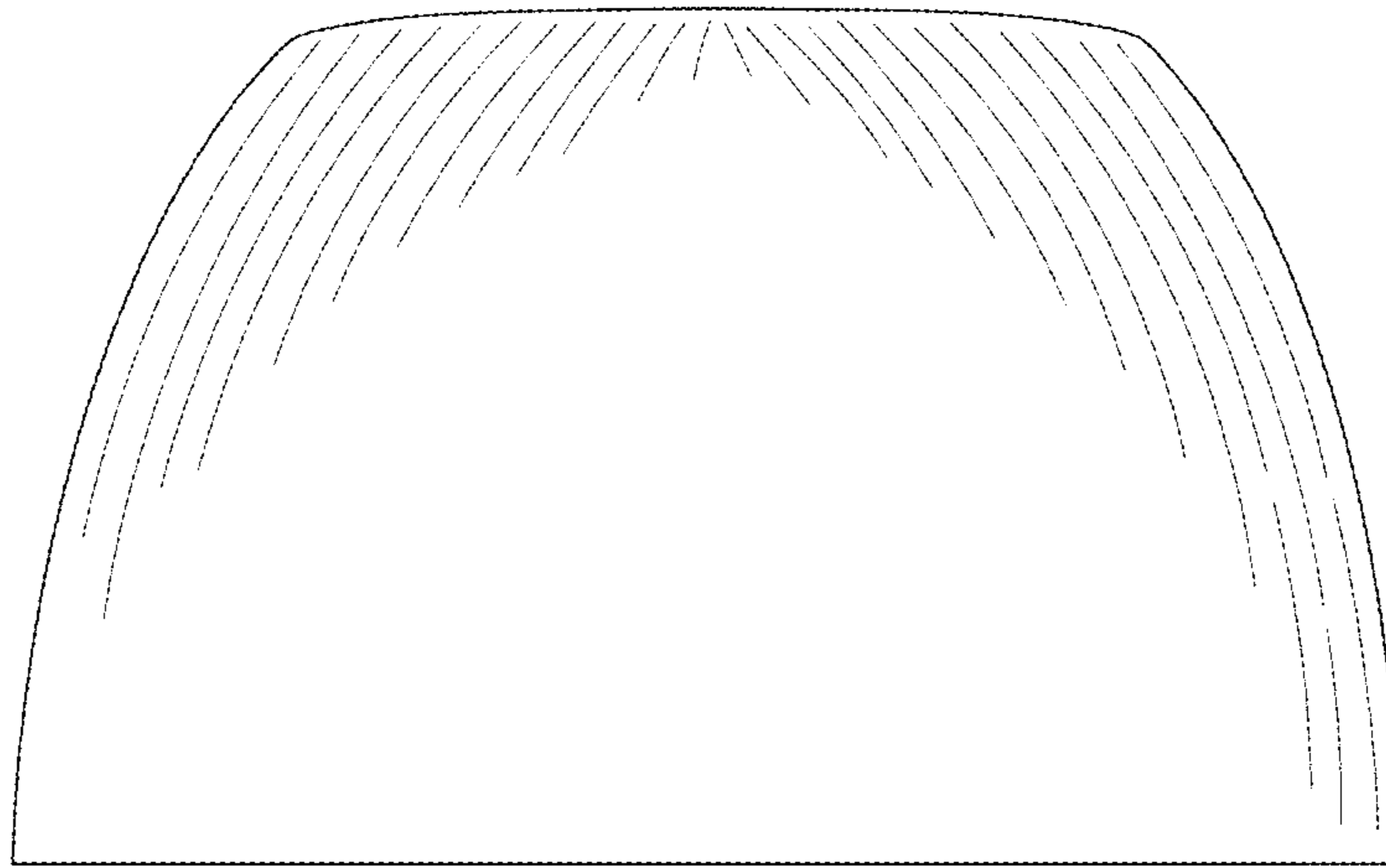


FIG. 6

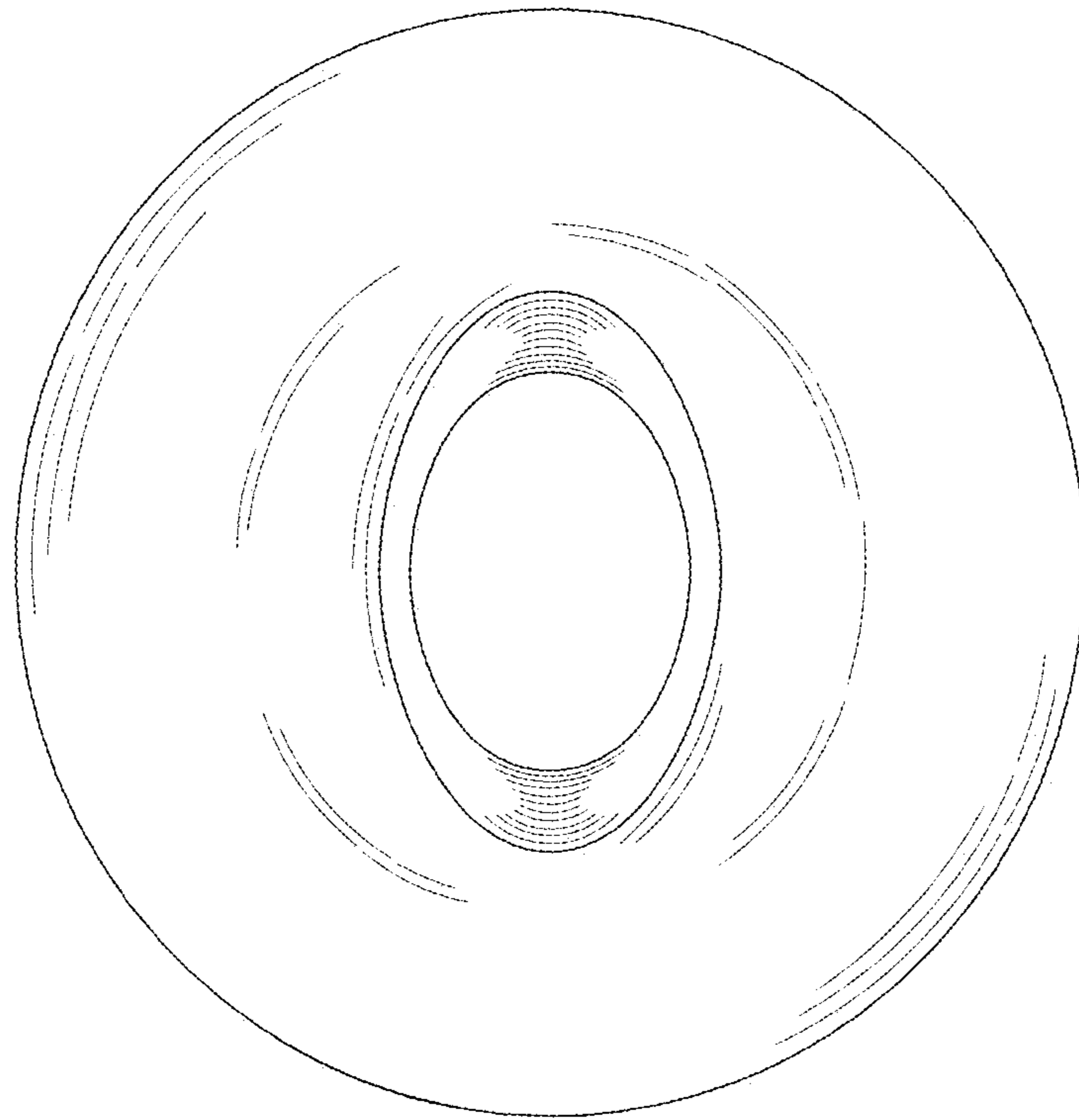


FIG. 7

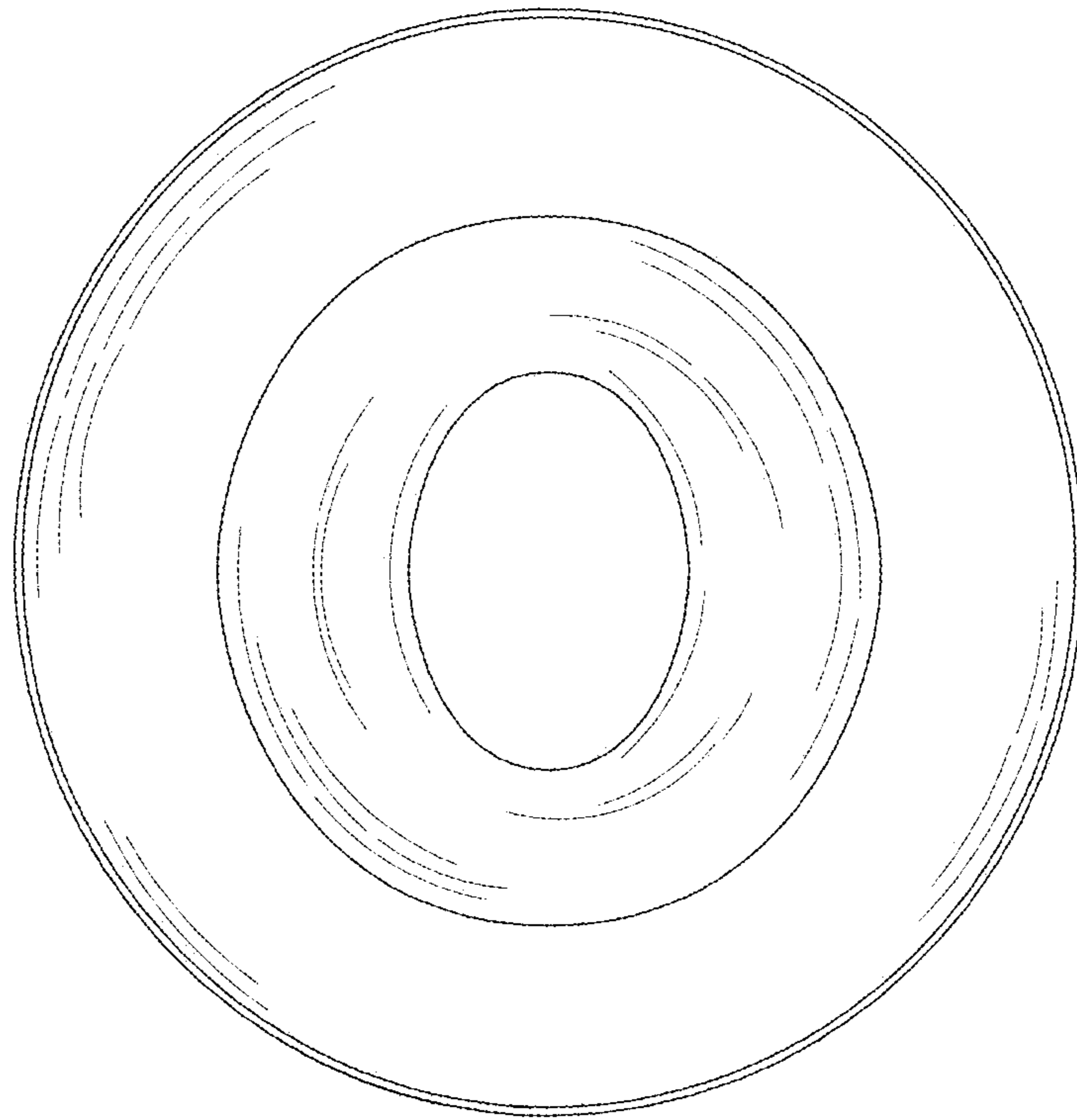


FIG. 8

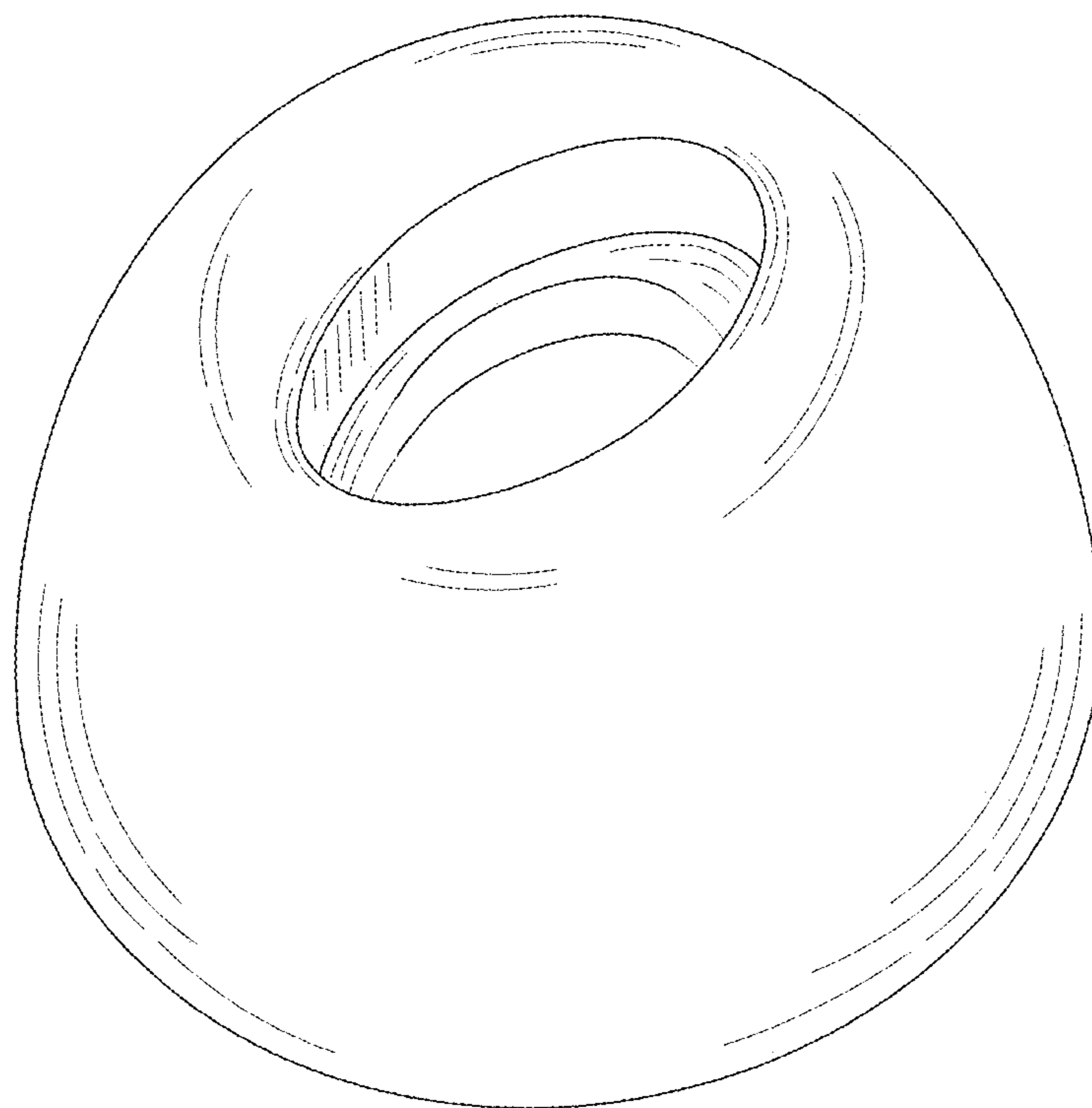


FIG. 9

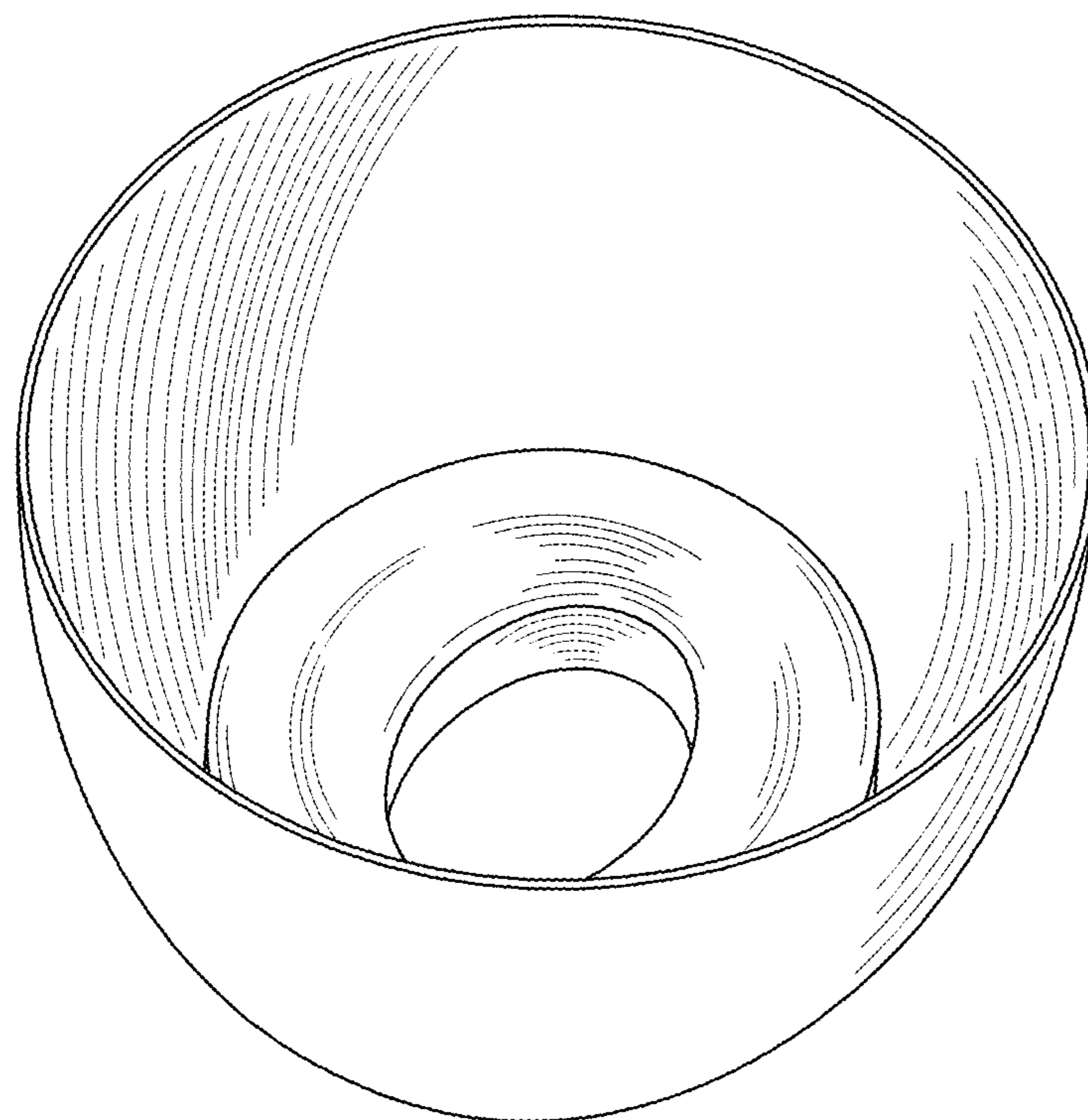


FIG. 10

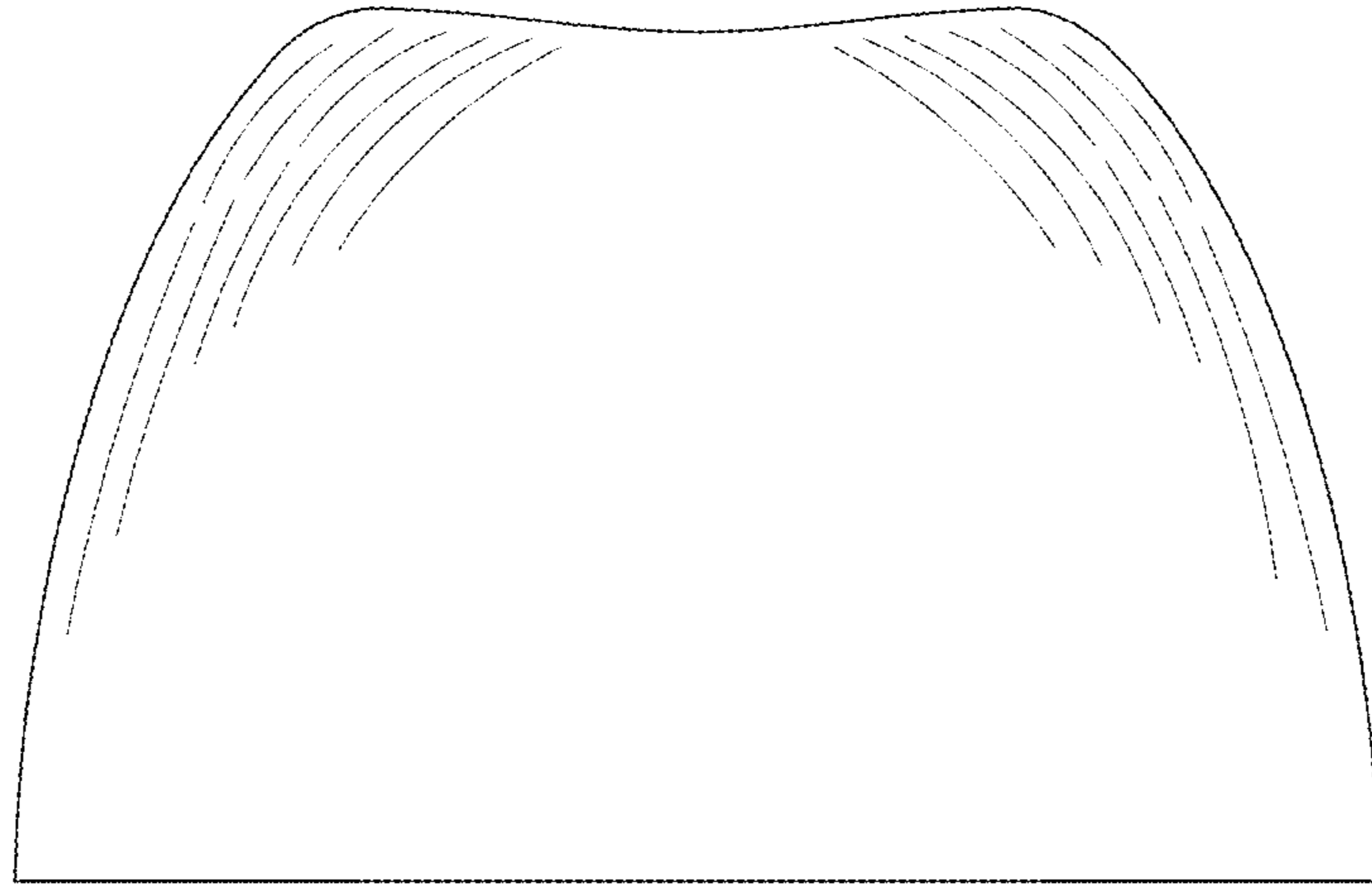


FIG. 11

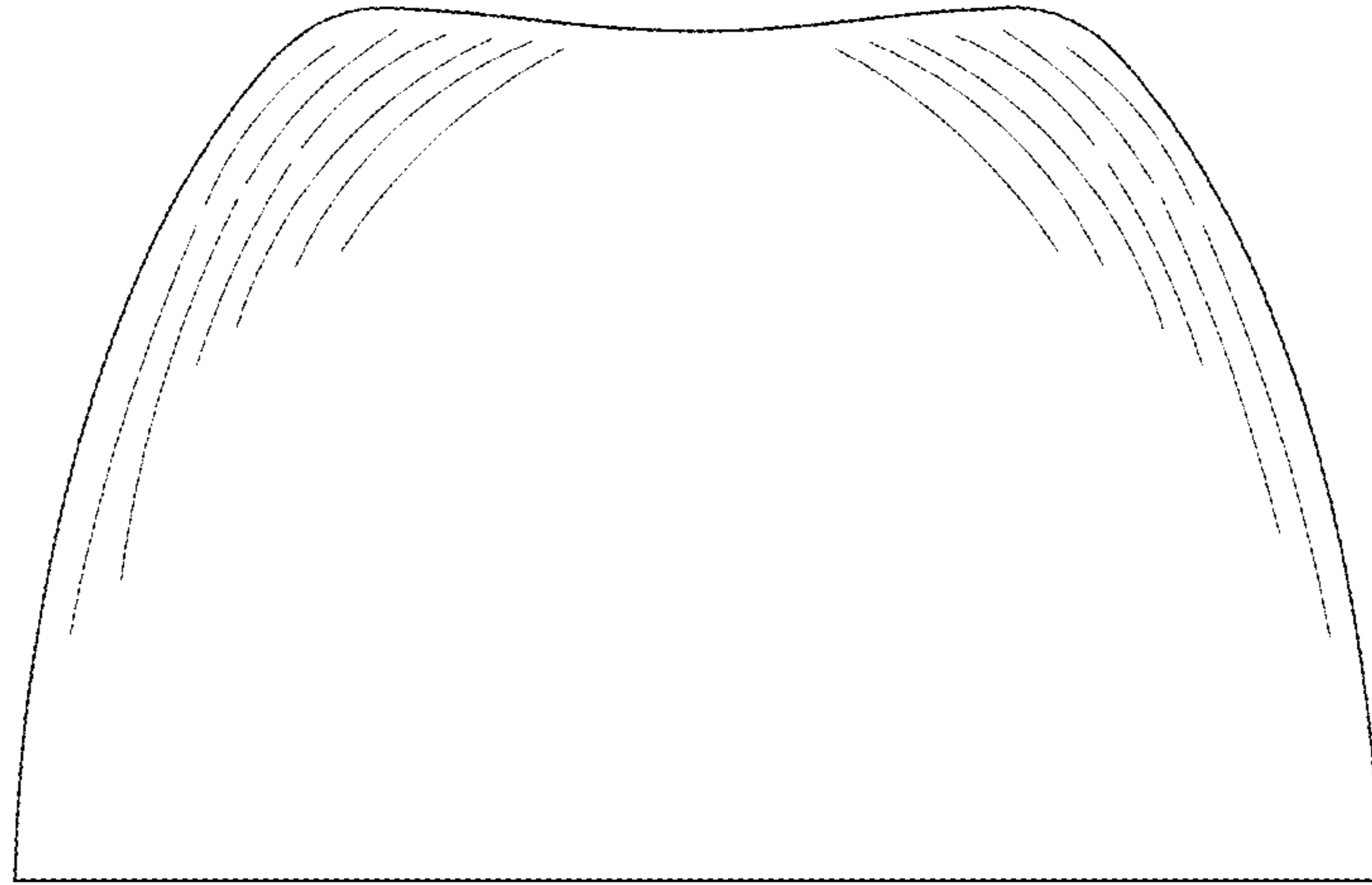


FIG. 12

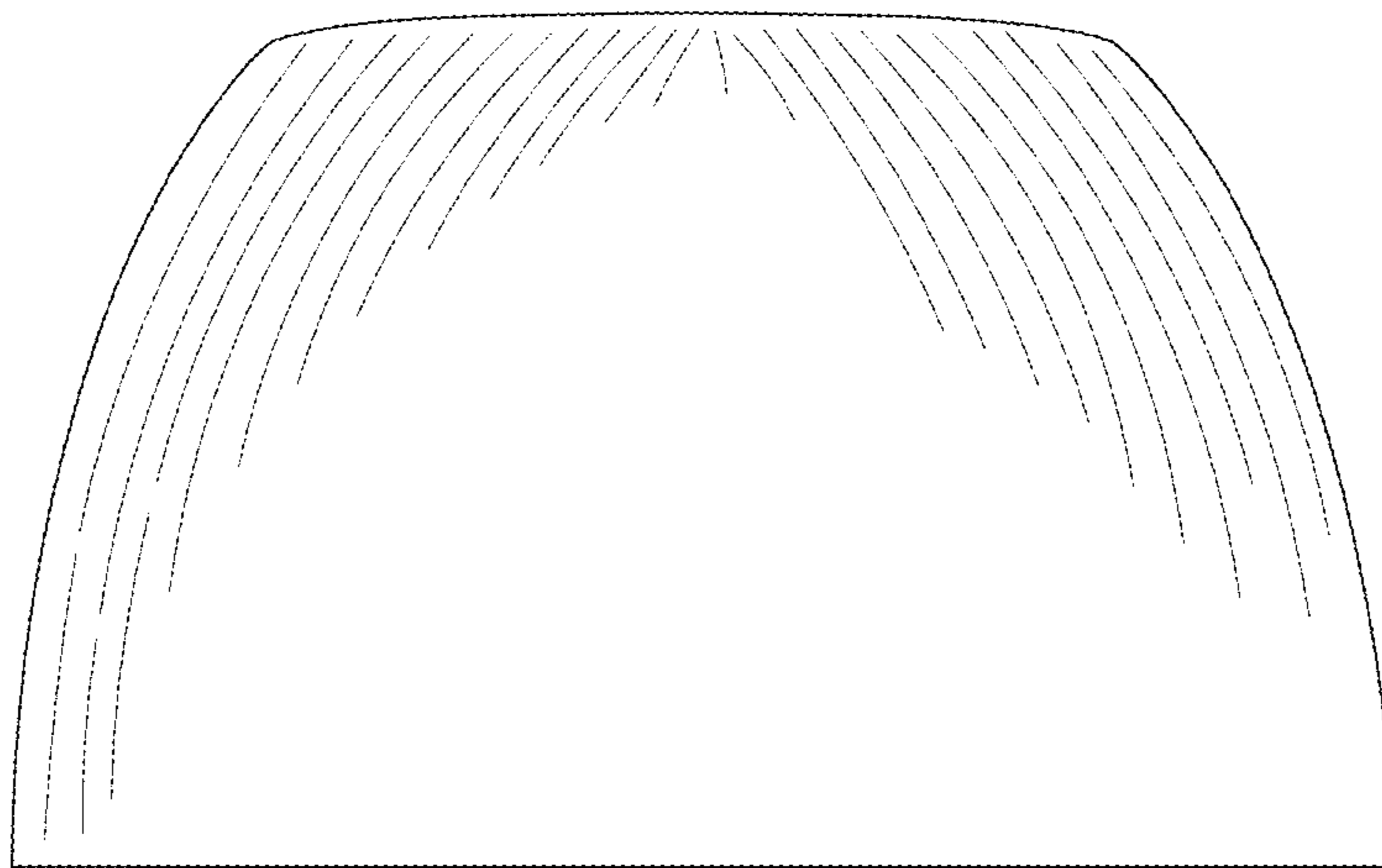


FIG. 13

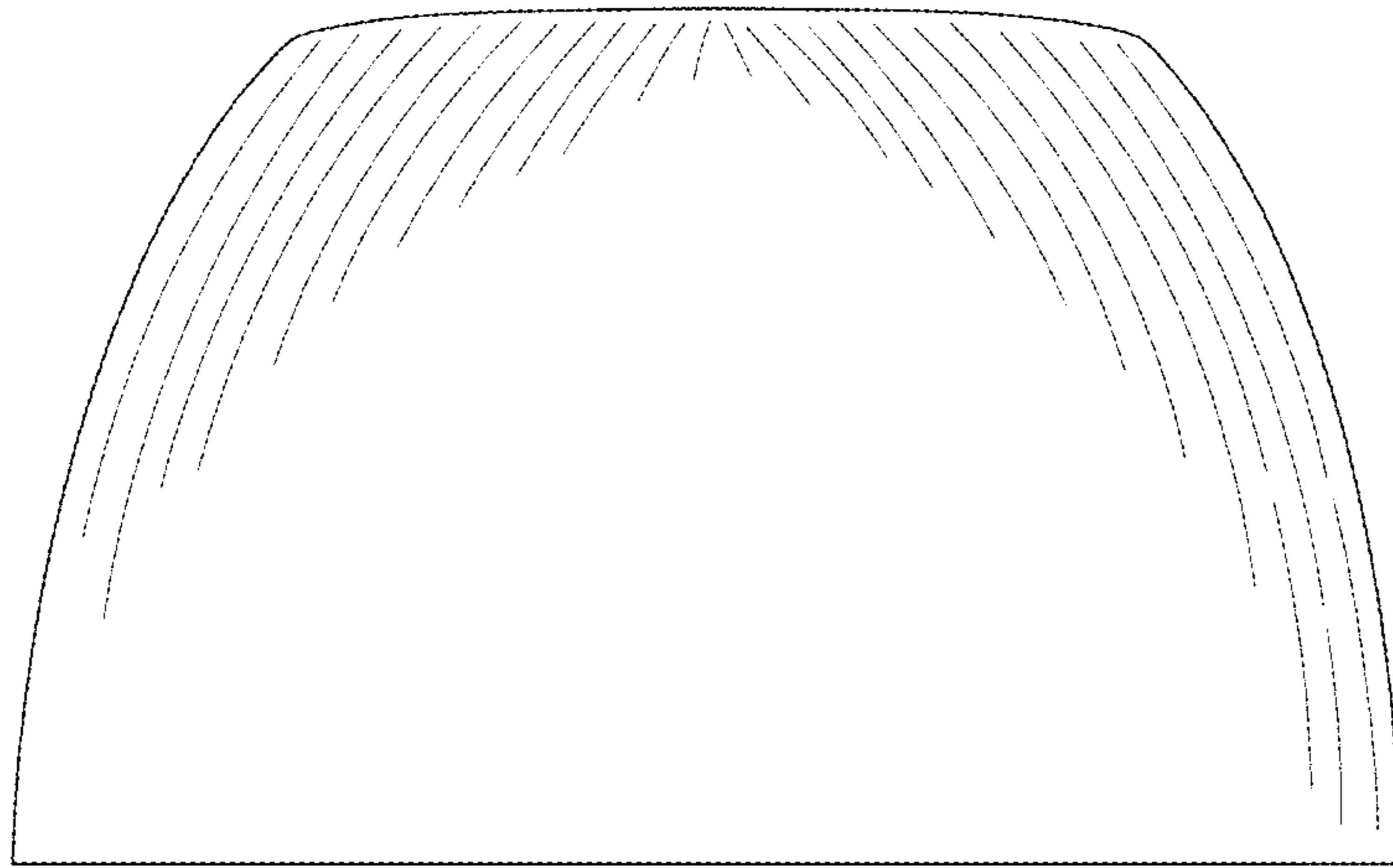


FIG. 14

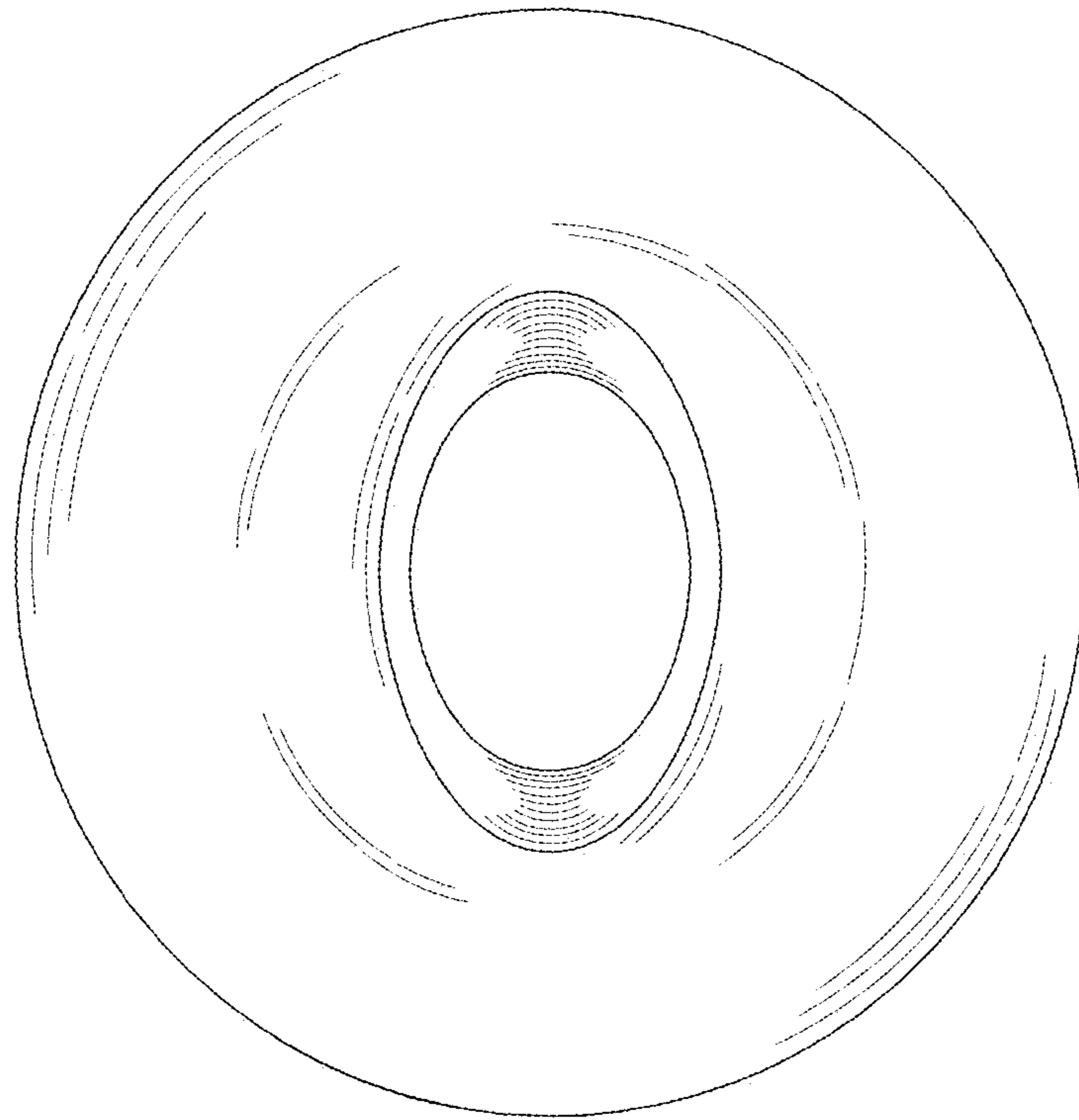


FIG. 15

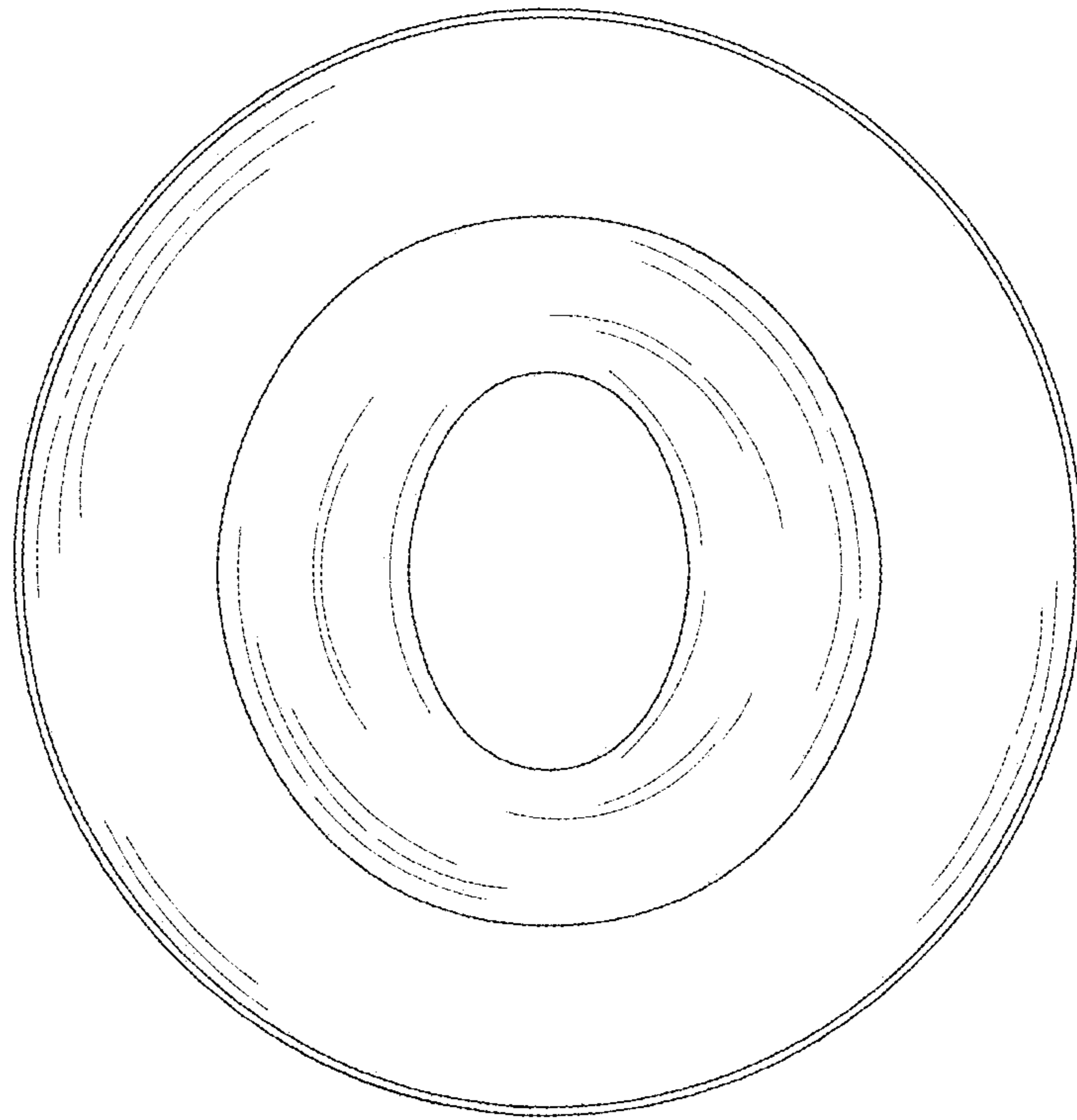


FIG. 16

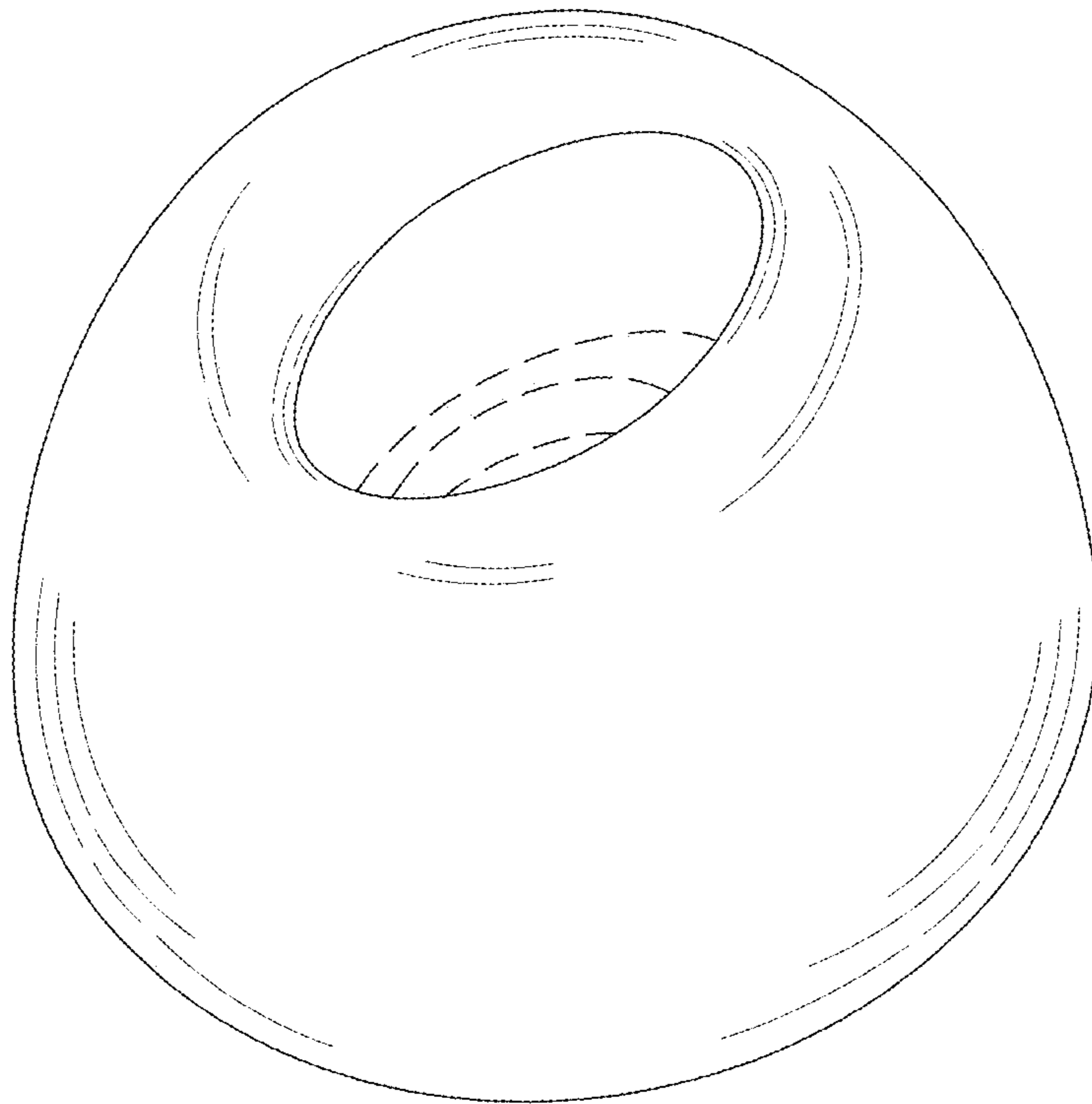


FIG. 17

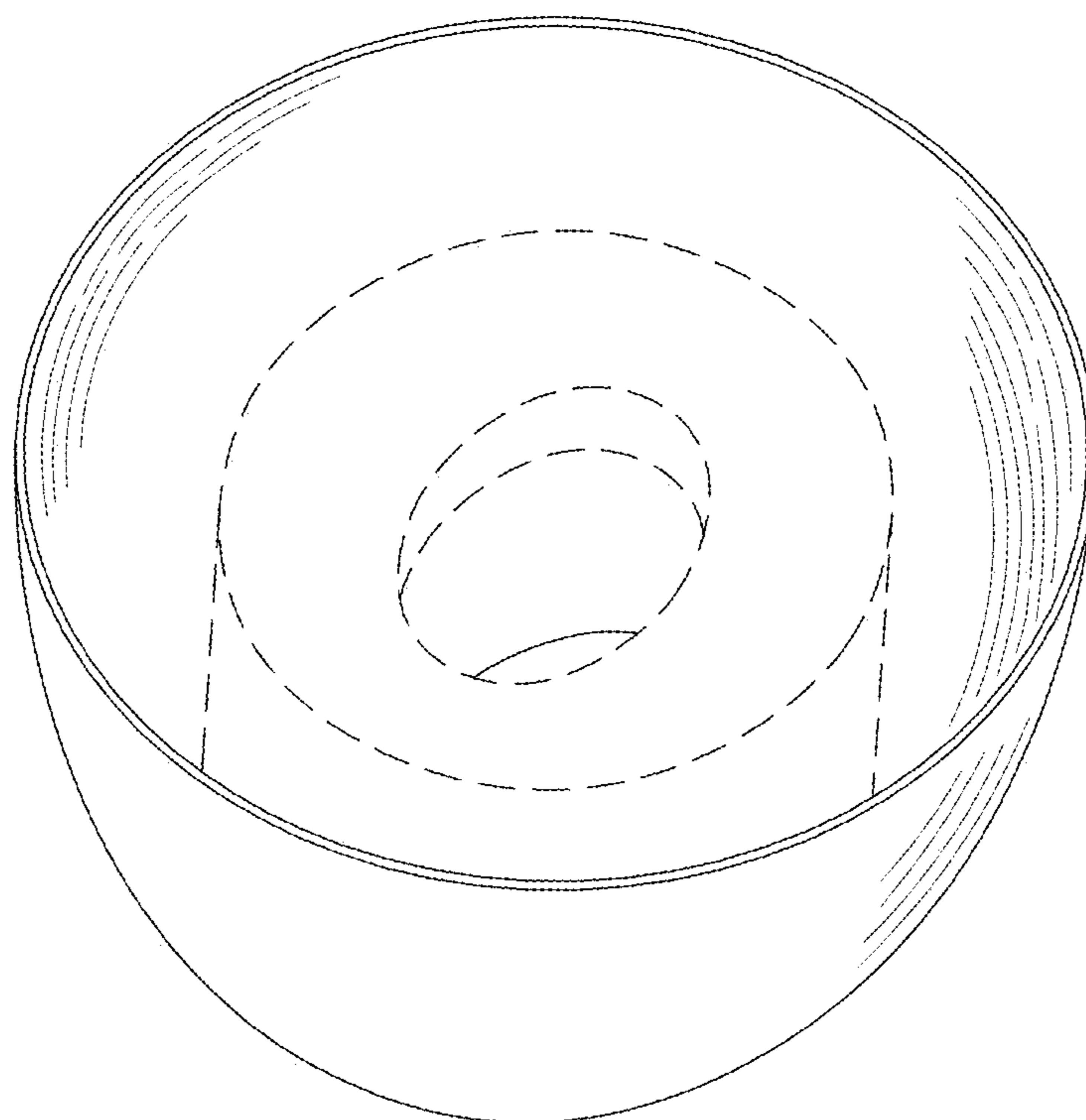


FIG. 18

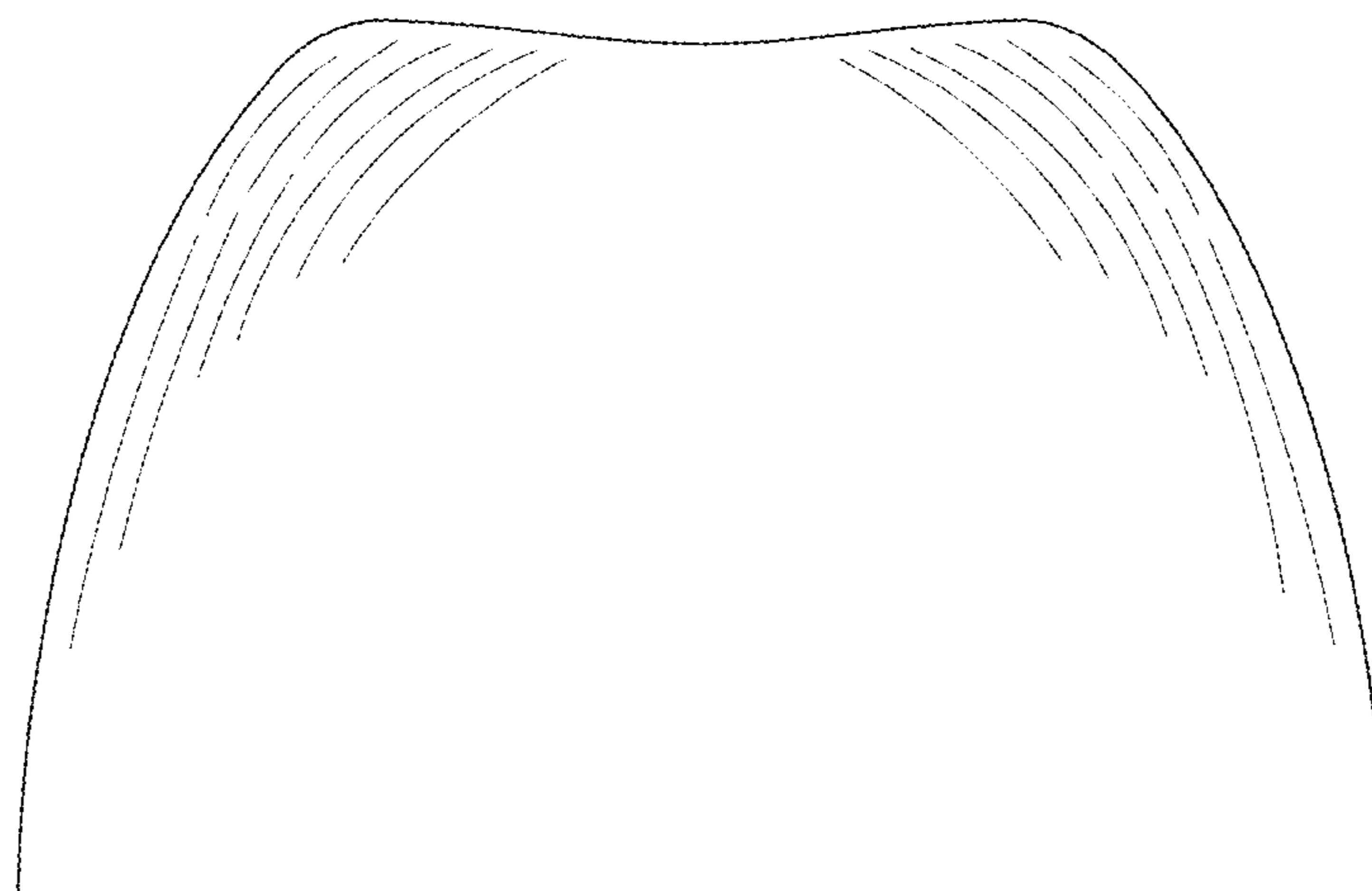


FIG. 19

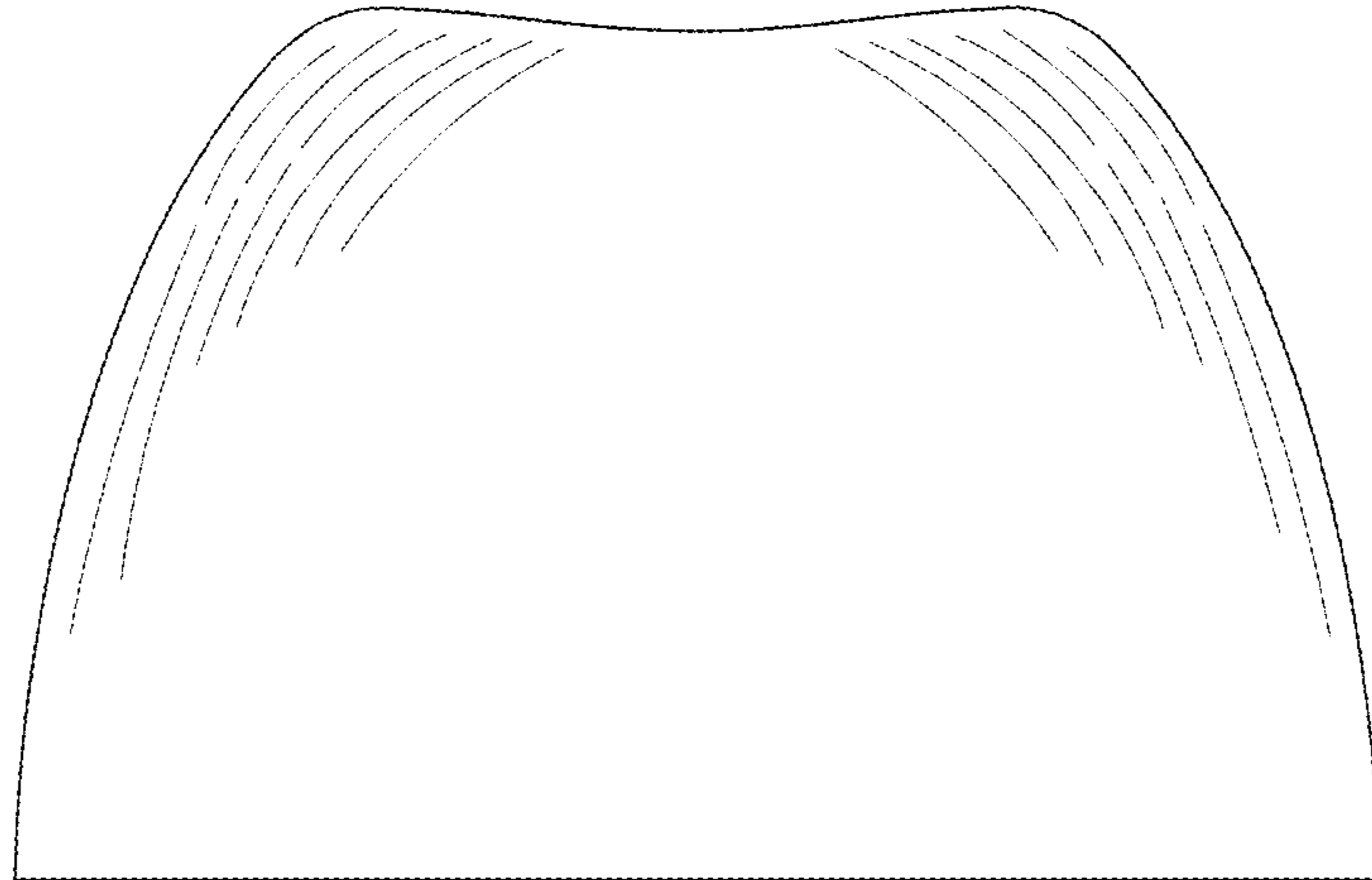


FIG. 20

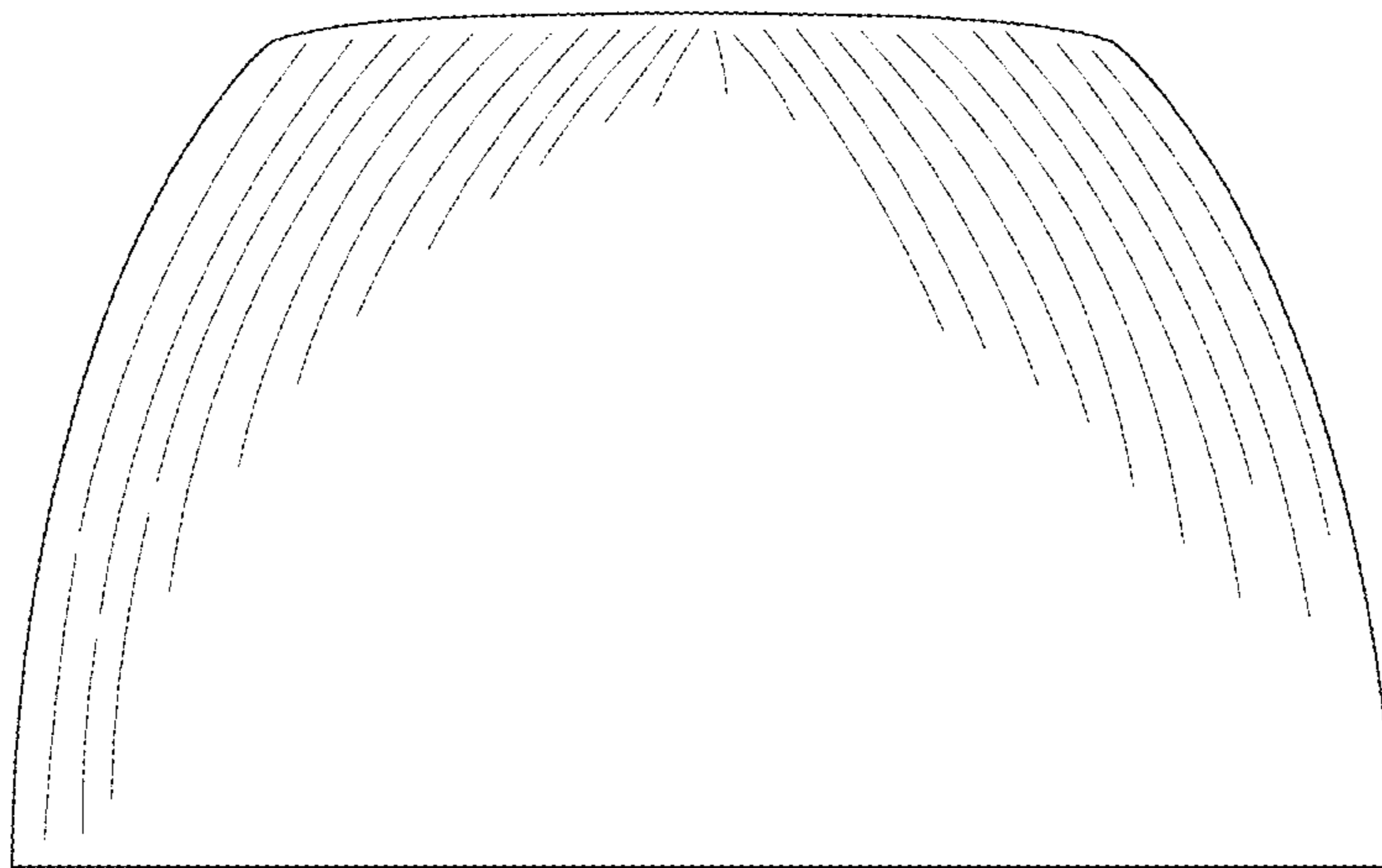


FIG. 21

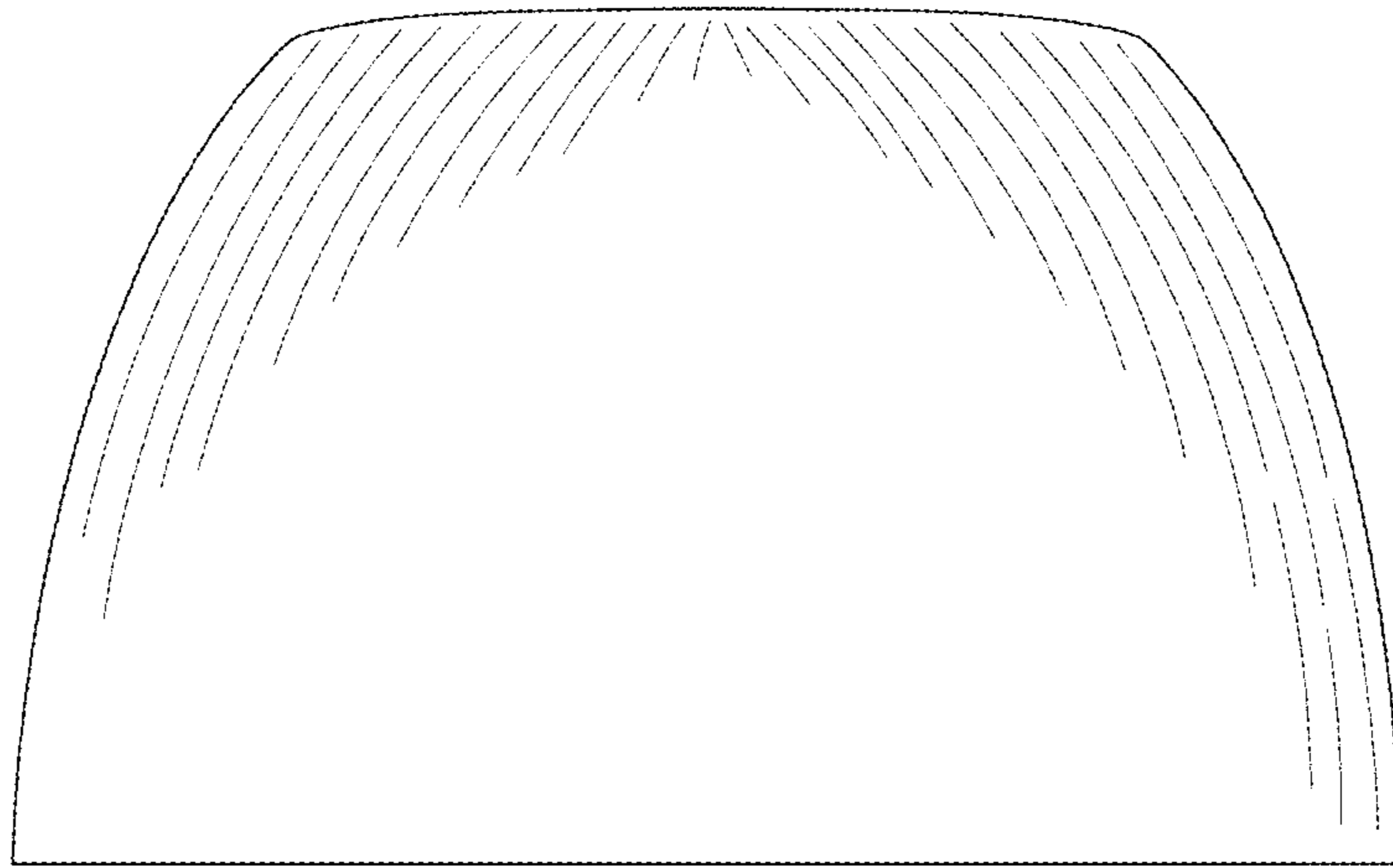


FIG. 22

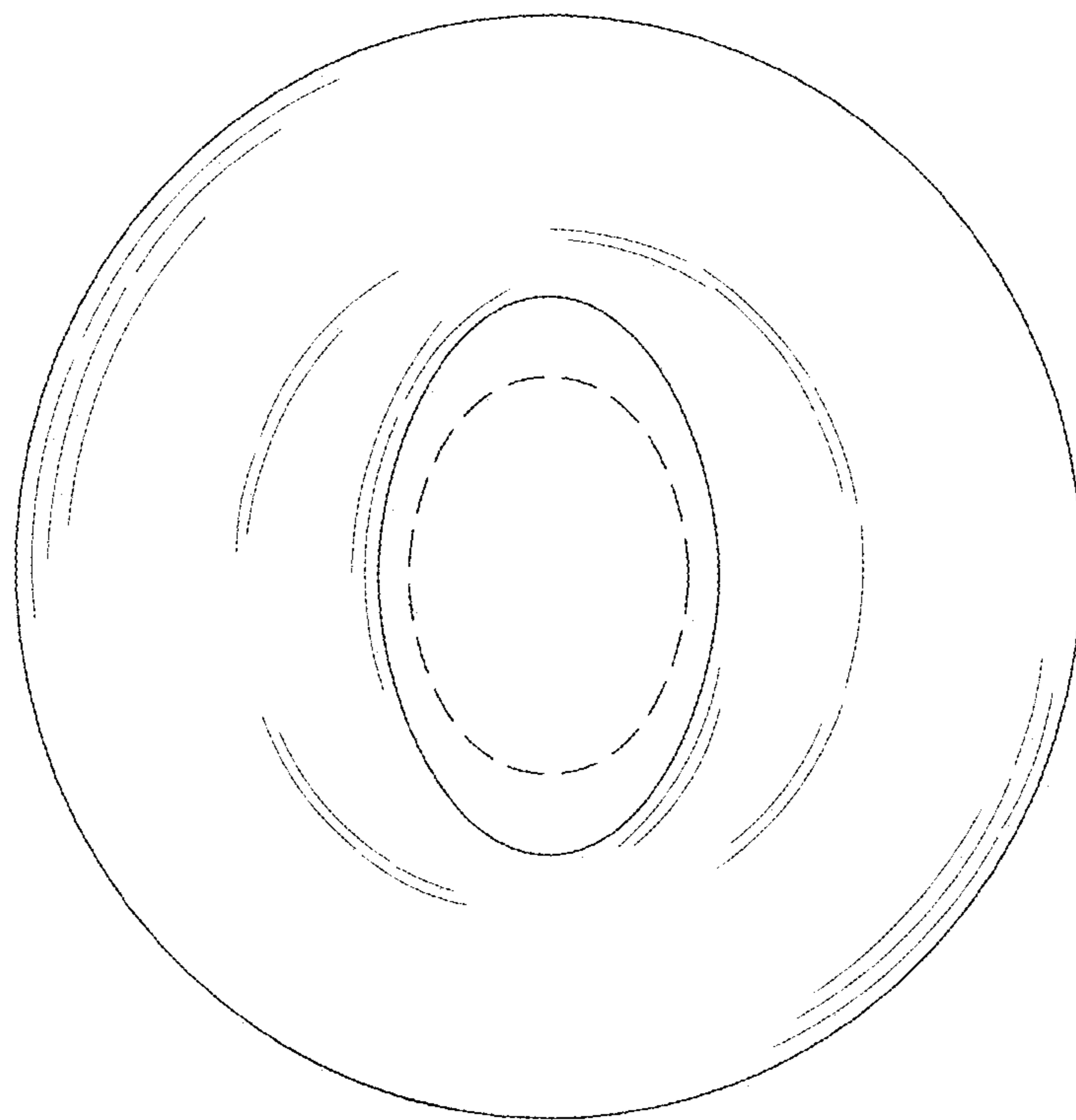


FIG. 23

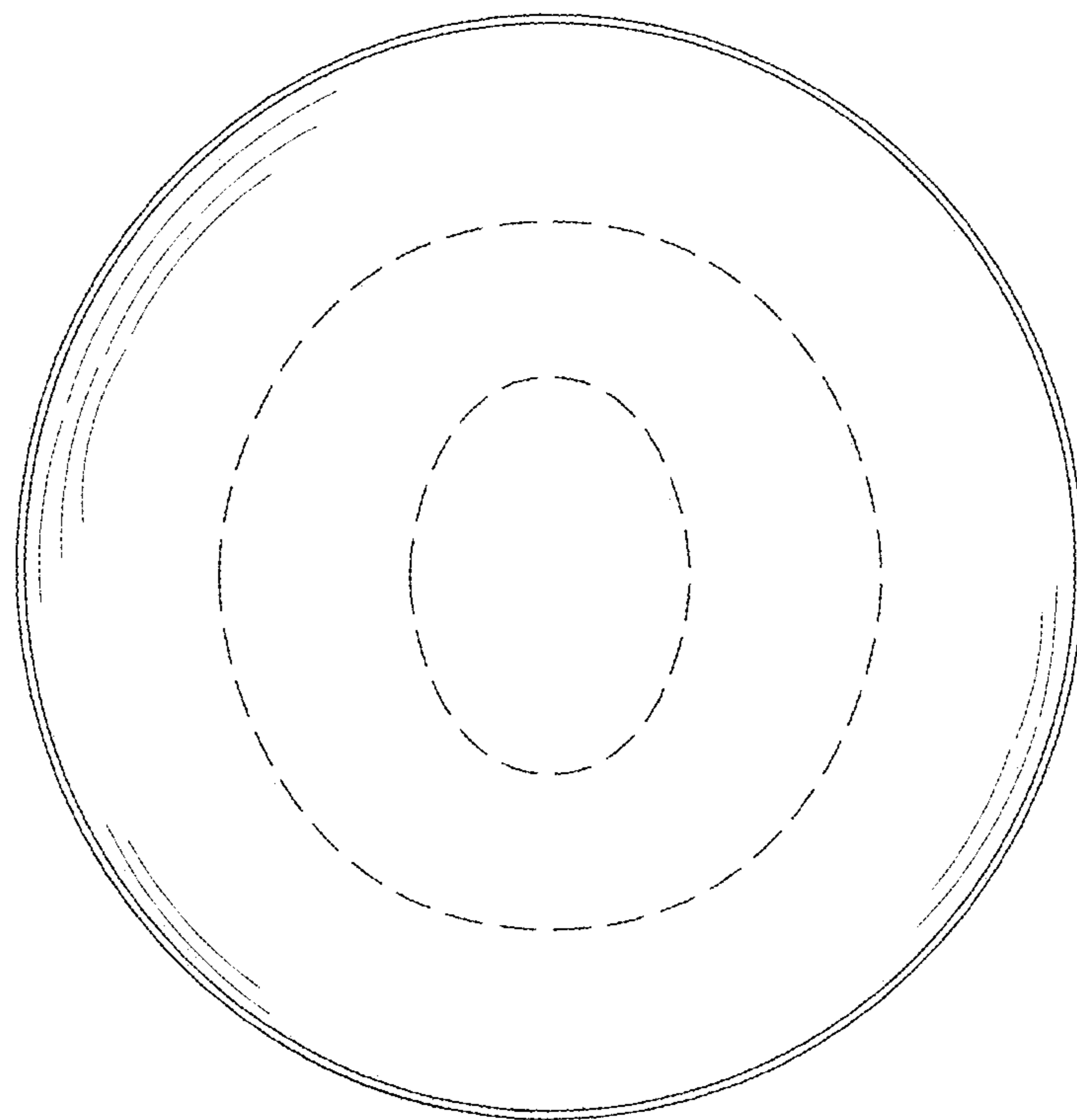


FIG. 24