



US00D961552S

(12) **United States Design Patent**
Laffon de Mazieres et al.

(10) **Patent No.:** **US D961,552 S**
(45) **Date of Patent:** **** Aug. 23, 2022**

(54) **EARBUD TIP**

(71) Applicant: **Amazon Technologies, Inc.**, Seattle, WA (US)

(72) Inventors: **Emmanuel Laffon de Mazieres**, San Jose, CA (US); **Andrew Carmedelle**, San Francisco, CA (US)

(73) Assignee: **Amazon Technologies, Inc.**, Seattle, WA (US)

(**) Term: **15 Years**

(21) Appl. No.: **29/736,003**

(22) Filed: **May 27, 2020**

(51) **LOC (13) Cl.** **14-01**

(52) **U.S. Cl.**
USPC **D14/223**

(58) **Field of Classification Search**
USPC D14/223, 205; D24/174; 128/864, 865, 128/866; 381/380, 381, 325; 455/90.3, 455/575.1, 569.1

(Continued)

(56) **References Cited**

U.S. PATENT DOCUMENTS

1,893,474 A * 1/1933 Lieber H04R 25/656
381/372
3,934,100 A * 1/1976 Harada G10K 11/22
181/135

(Continued)

FOREIGN PATENT DOCUMENTS

CN 305396542 * 10/2019

OTHER PUBLICATIONS

Indian Office Action dated Dec. 23, 2020 for Indian Patent Application No. 335503-001, a counterpart foreign application of U.S. Appl. No. 29/736,003, 2 pages.

Primary Examiner — Paula Allen Greene

(74) *Attorney, Agent, or Firm* — Lee & Hayes, P.C.

(57) **CLAIM**

The ornamental design for an earbud tip, as shown and described.

DESCRIPTION

FIG. 1 is a back, top perspective view of a first embodiment of an earbud tip showing the new design; the mirror image earbud tip is evident from the earbud tip shown; FIG. 2 is front, bottom perspective view thereof; FIG. 3 is a left-side, bottom perspective view thereof; FIG. 4 is a front, top perspective view thereof; FIG. 5 is a right-side view thereof; FIG. 6 is a left-side view thereof; FIG. 7 is a front view thereof; FIG. 8 is a back view thereof; FIG. 9 is a top view thereof; FIG. 10 is a bottom view thereof; FIG. 11 is a back, top perspective view showing unclaimed environment of an earbud tip; FIG. 12 is a front, bottom perspective view showing unclaimed environment of an earbud tip; FIG. 13 is a back, top perspective view of a second embodiment of an earbud tip showing the new design; the mirror image earbud tip is evident from the earbud tip shown; FIG. 14 is front, bottom perspective view thereof; FIG. 15 is a left-side, bottom perspective view thereof; FIG. 16 is a front, top perspective view thereof; FIG. 17 is a right-side view thereof; FIG. 18 is a left-side view thereof; FIG. 19 is a front view thereof; FIG. 20 is a back view thereof; FIG. 21 is a top view thereof; FIG. 22 is a bottom view thereof; FIG. 23 is a back, top perspective view showing unclaimed environment of an earbud tip; FIG. 24 is a front, bottom perspective view showing unclaimed environment of an earbud tip; FIG. 25 is a back, top perspective view of a third embodiment of an earbud tip showing the new design; the mirror image earbud tip is evident from the earbud tip shown;

(Continued)

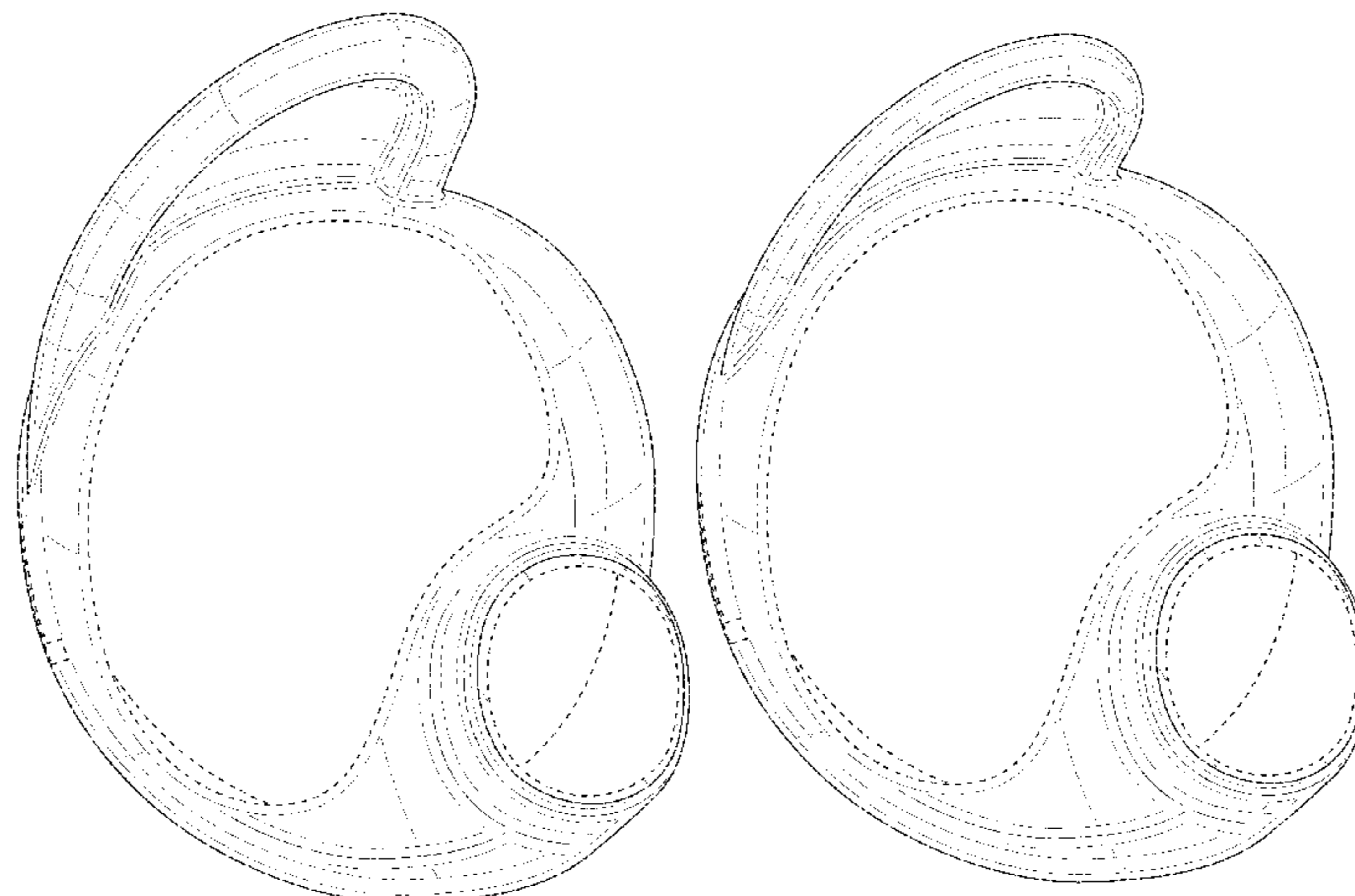


FIG. 26 is front, bottom perspective view thereof;
 FIG. 27 is a left-side, bottom perspective view thereof;
 FIG. 28 is a front, top perspective view thereof;
 FIG. 29 is a right-side view thereof;
 FIG. 30 is a left-side view thereof;
 FIG. 31 is a front view thereof;
 FIG. 32 is a back view thereof;
 FIG. 33 is a top view thereof;
 FIG. 34 is a bottom view thereof;
 FIG. 35 is a back, top perspective view showing unclaimed environment of an earbud tip; and,
 FIG. 36 is a front, bottom perspective view showing unclaimed environment of an earbud tip.
 The dashed broken lines depict portions of the earbud tip that form no part of the claimed design, and/or show environment of the earbud tip that forms no part of the claimed design.

1 Claim, 36 Drawing Sheets

(58) **Field of Classification Search**

CPC H04R 1/10; H04R 25/00; H04R 25/02;
 H04R 1/1016; H04R 1/1066; H04R
 5/033; H04R 5/0335; H04R 1/105; H04R
 1/1083; H04R 1/1091

See application file for complete search history.

(56) **References Cited**

U.S. PATENT DOCUMENTS

D388,093 S * 12/1997 Frengley D14/223
 6,690,807 B1 * 2/2004 Meyer G02C 11/06
 381/381
 D504,883 S * 5/2005 Jacobson D14/205
 D532,110 S * 11/2006 Bailey D24/174
 D576,610 S * 9/2008 Johnson D14/223
 D601,134 S * 9/2009 Elabidi D14/223
 D618,219 S * 6/2010 Burgett D14/223
 D621,817 S * 8/2010 Brickstad D14/223
 D622,265 S * 8/2010 Rye D14/223
 D622,704 S * 8/2010 Fahrendorff D14/223
 D622,705 S * 8/2010 Fahrendorff D14/223

D628,188 S * 11/2010 Koch D14/205
 D628,990 S * 12/2010 Pedersen D14/223
 D632,282 S * 2/2011 Kitayama D14/223
 D638,398 S * 5/2011 Morison D14/205
 D644,212 S * 8/2011 Quek D14/223
 D644,213 S * 8/2011 Quek D14/223
 D645,458 S * 9/2011 Silvestri H04R 1/1016
 D14/223
 8,111,864 B2 * 2/2012 Oliveira H04R 1/1058
 381/328
 8,311,253 B2 * 11/2012 Silvestri H04R 1/1075
 381/381
 D678,868 S * 3/2013 Feng D14/223
 8,737,669 B2 * 5/2014 Monahan H04R 1/1016
 381/328
 D712,880 S * 9/2014 Lin D14/223
 D714,260 S * 9/2014 Han D14/223
 D716,770 S * 11/2014 Bonahoom D14/223
 D728,532 S * 5/2015 Kurtz D14/223
 D742,362 S * 11/2015 Bonahoom D14/223
 D744,456 S * 12/2015 Pedersen D14/223
 D779,461 S * 2/2017 Smith D14/223
 9,854,345 B2 * 12/2017 Briggs H04R 1/1016
 D814,443 S * 4/2018 Sandanger H04R 1/1083
 D24/174
 D843,352 S * 3/2019 Lee D14/223
 D869,444 S * 12/2019 Tang D14/223
 D870,079 S * 12/2019 Yun D14/223
 D870,708 S * 12/2019 Lindenberger D14/223
 D873,248 S * 1/2020 Weicheng D14/223
 D883,262 S * 5/2020 Wu D14/223
 D895,581 S * 9/2020 Wu D14/223
 D902,890 S * 11/2020 Williamson D14/223
 10,835,145 B1 * 11/2020 Prevoir H04R 1/1041
 D910,602 S * 2/2021 Feng D14/223
 11,026,012 B1 * 6/2021 Ko H04R 1/2803
 2005/0147269 A1 * 7/2005 Oliveira H04R 1/1058
 381/327
 2011/0255729 A1 * 10/2011 Tan H04R 1/1016
 381/380
 2012/0039501 A1 * 2/2012 Silvestri H04R 1/1075
 381/380
 2018/0338194 A1 * 11/2018 Yu H04R 1/105
 2019/0208307 A1 * 7/2019 Ogut H04R 25/652
 2019/0215595 A1 * 7/2019 Beaudoin H04R 1/1058
 2020/0374632 A1 * 11/2020 Wang H04M 1/6066
 2021/0409858 A1 * 12/2021 Sandanger H04R 25/652

* cited by examiner

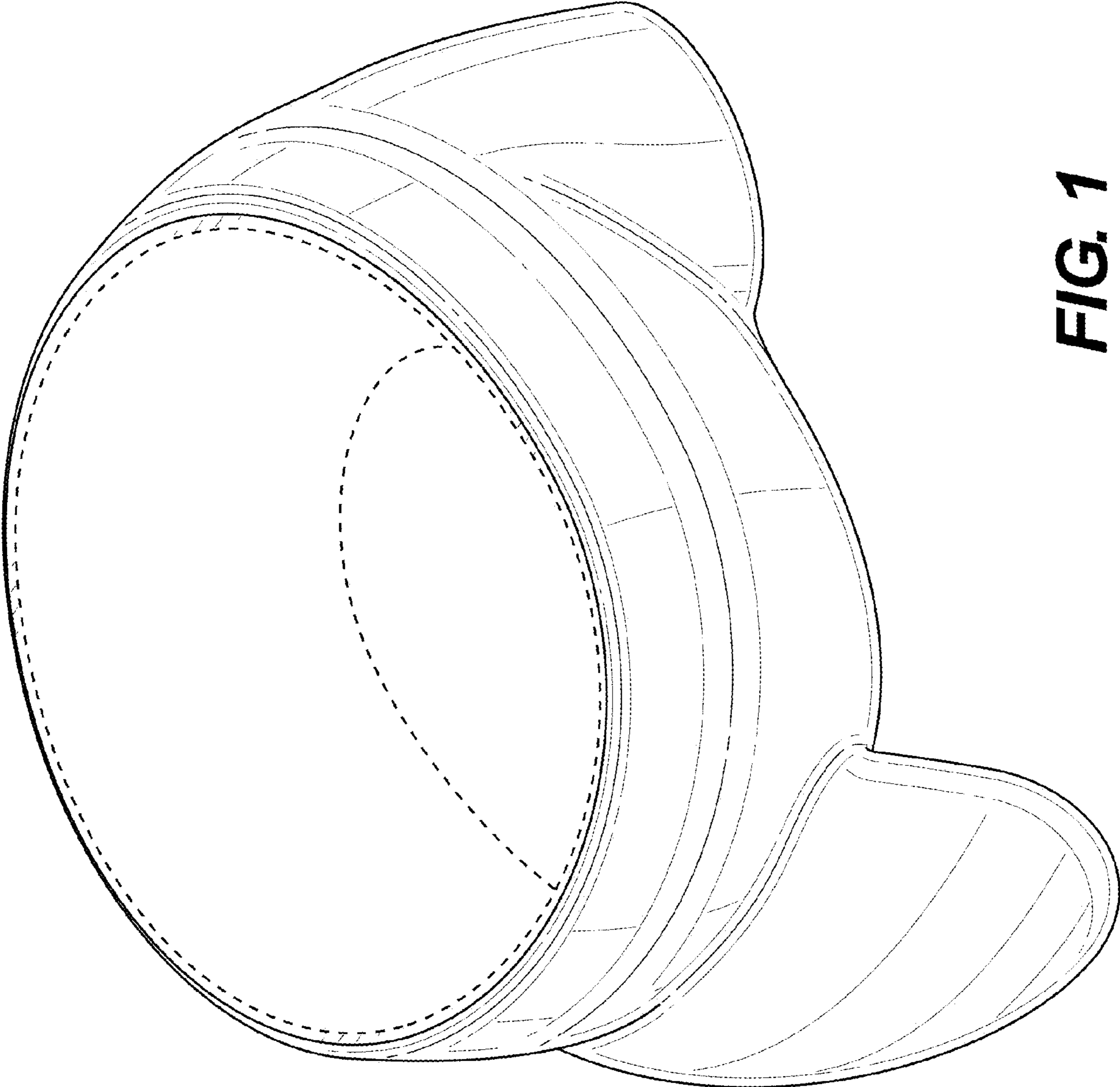


FIG. 1

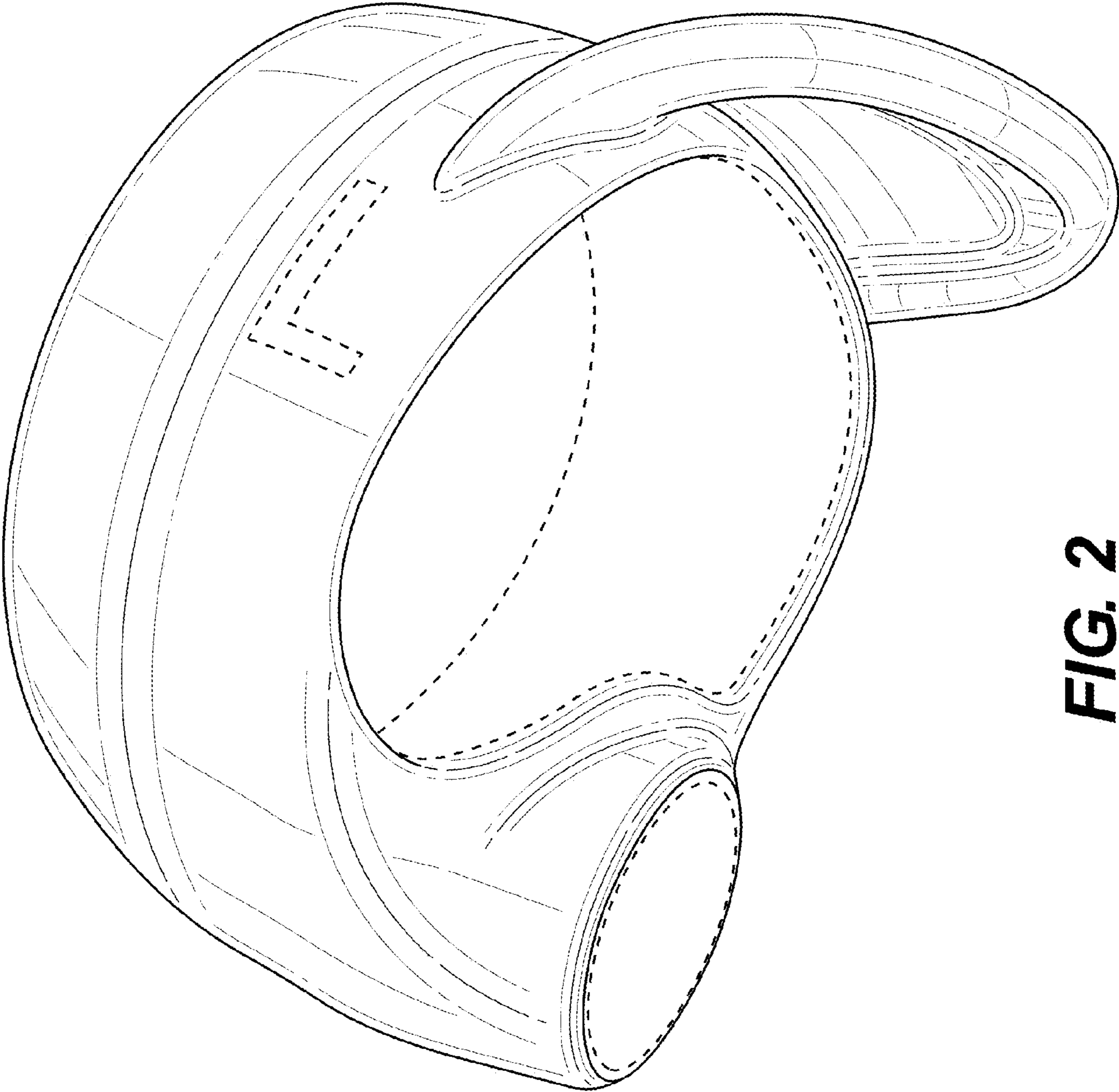


FIG. 2

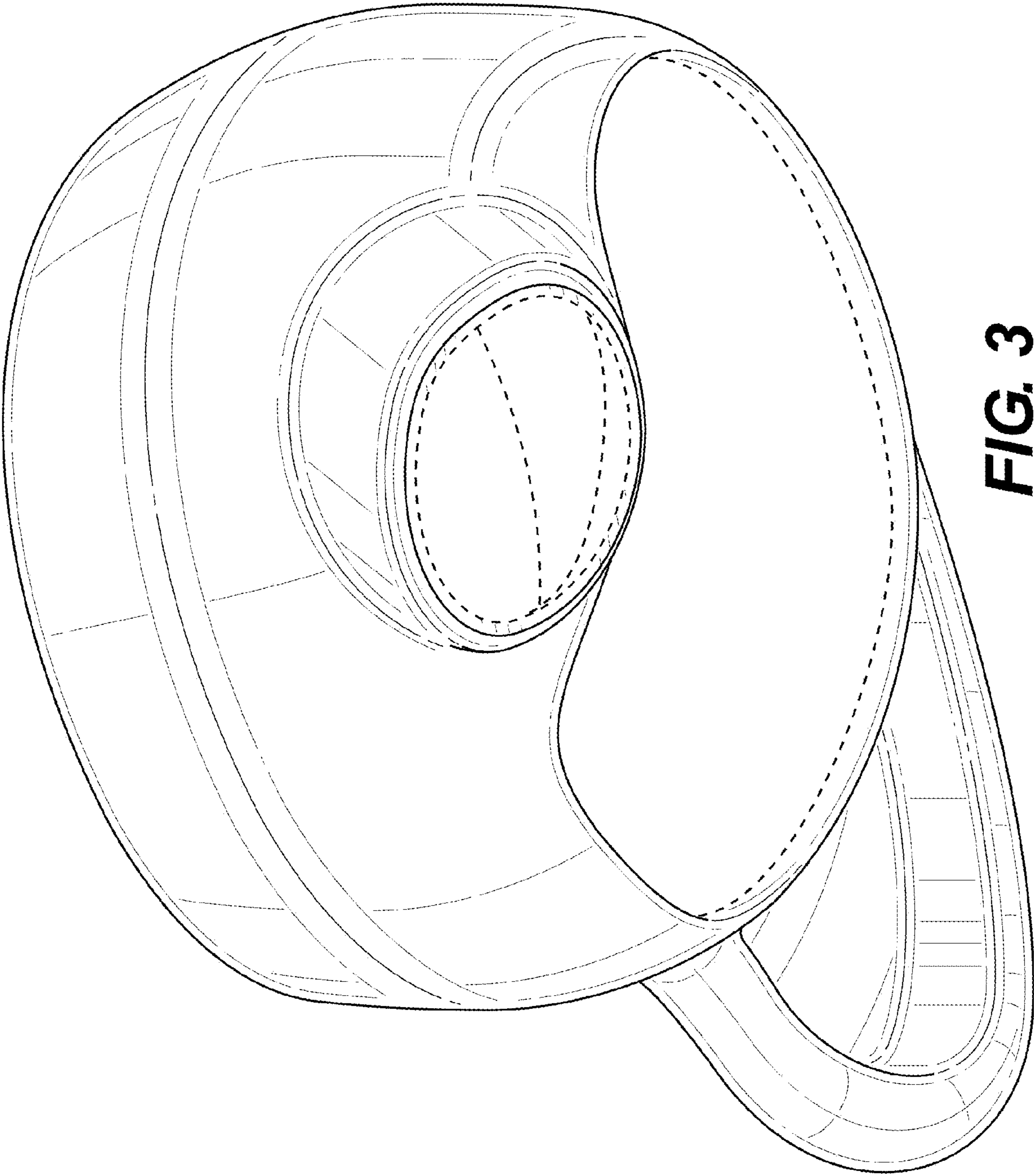


FIG. 3

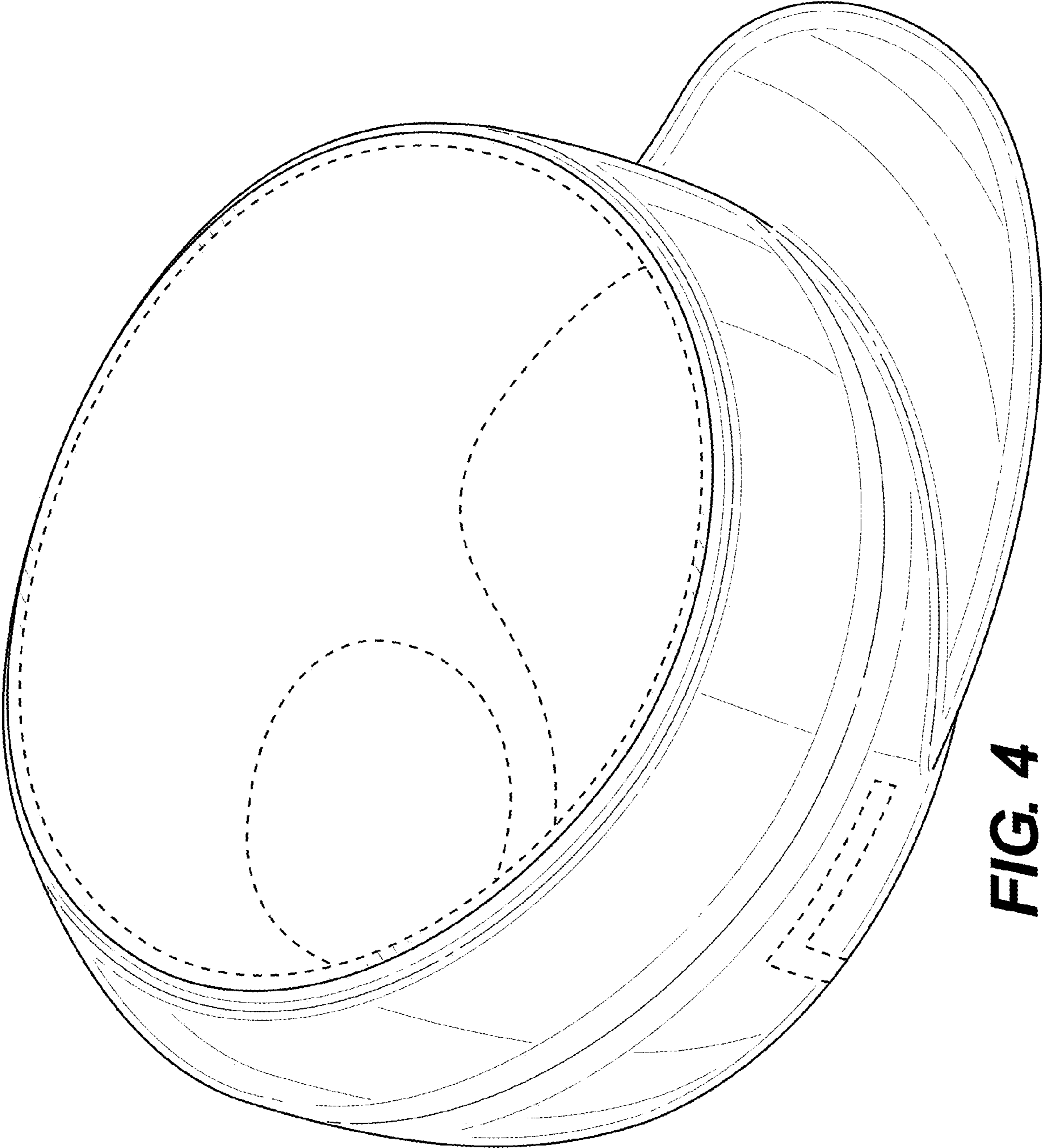


FIG. 4

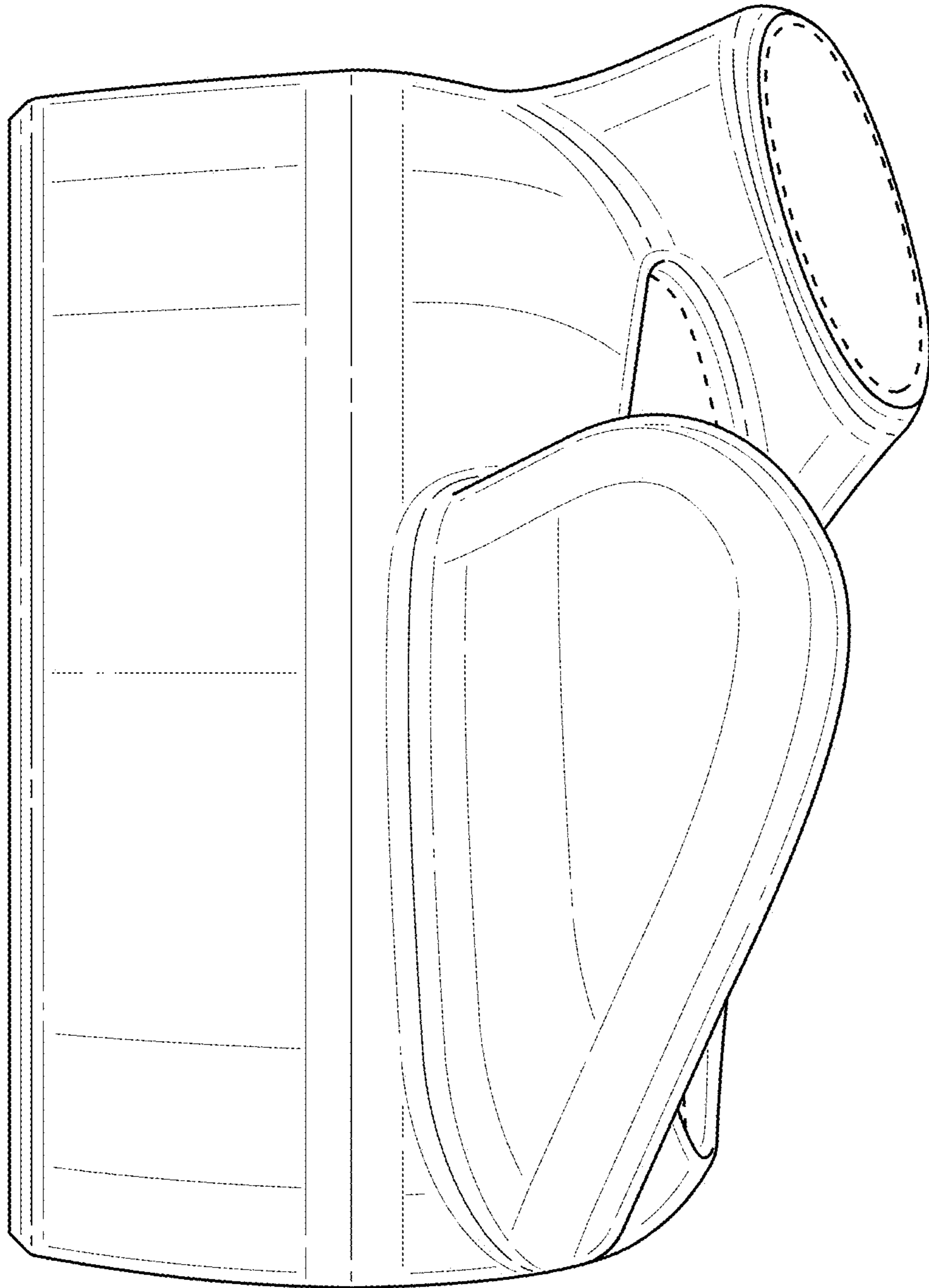


FIG. 5

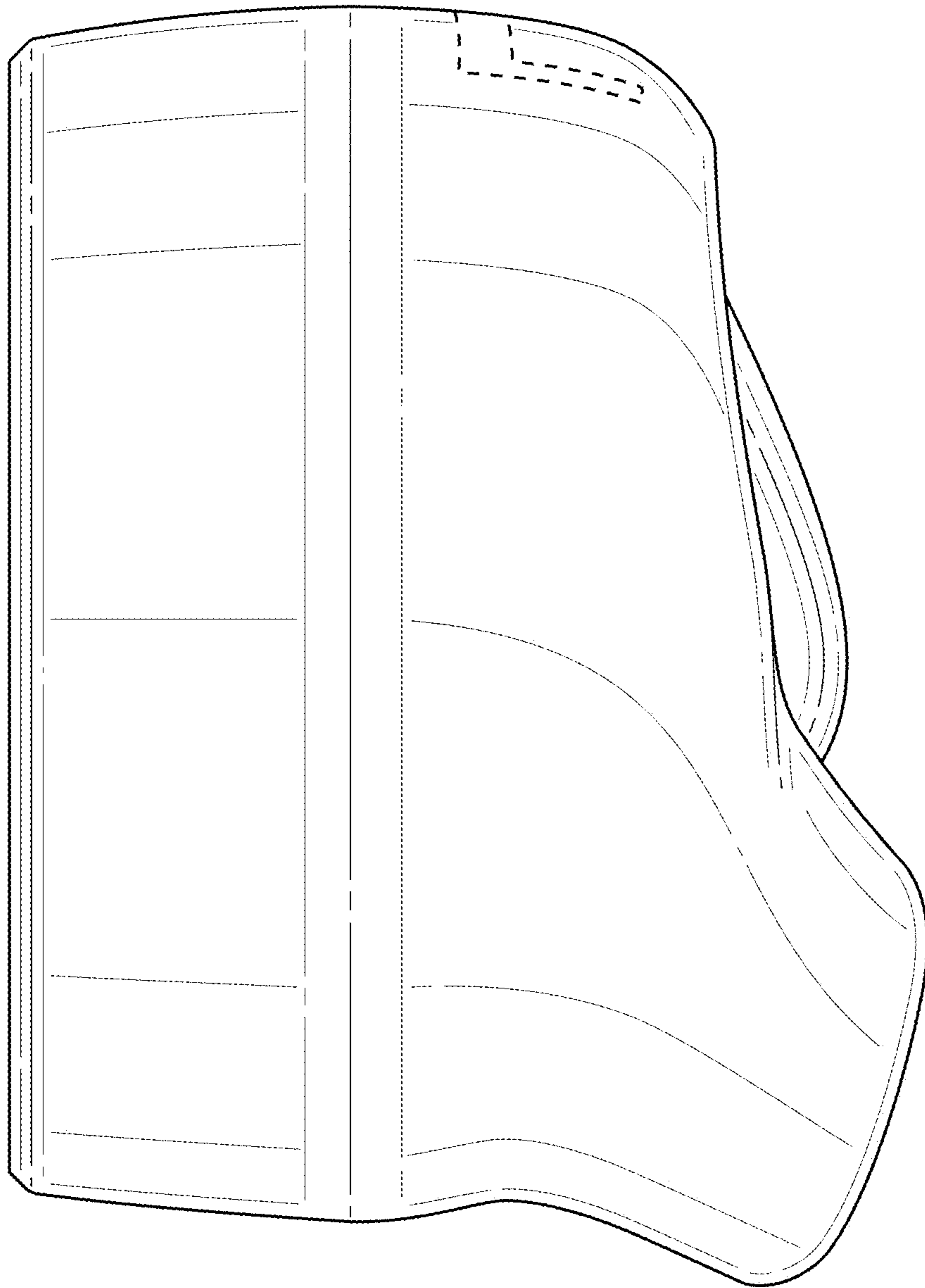


FIG. 6

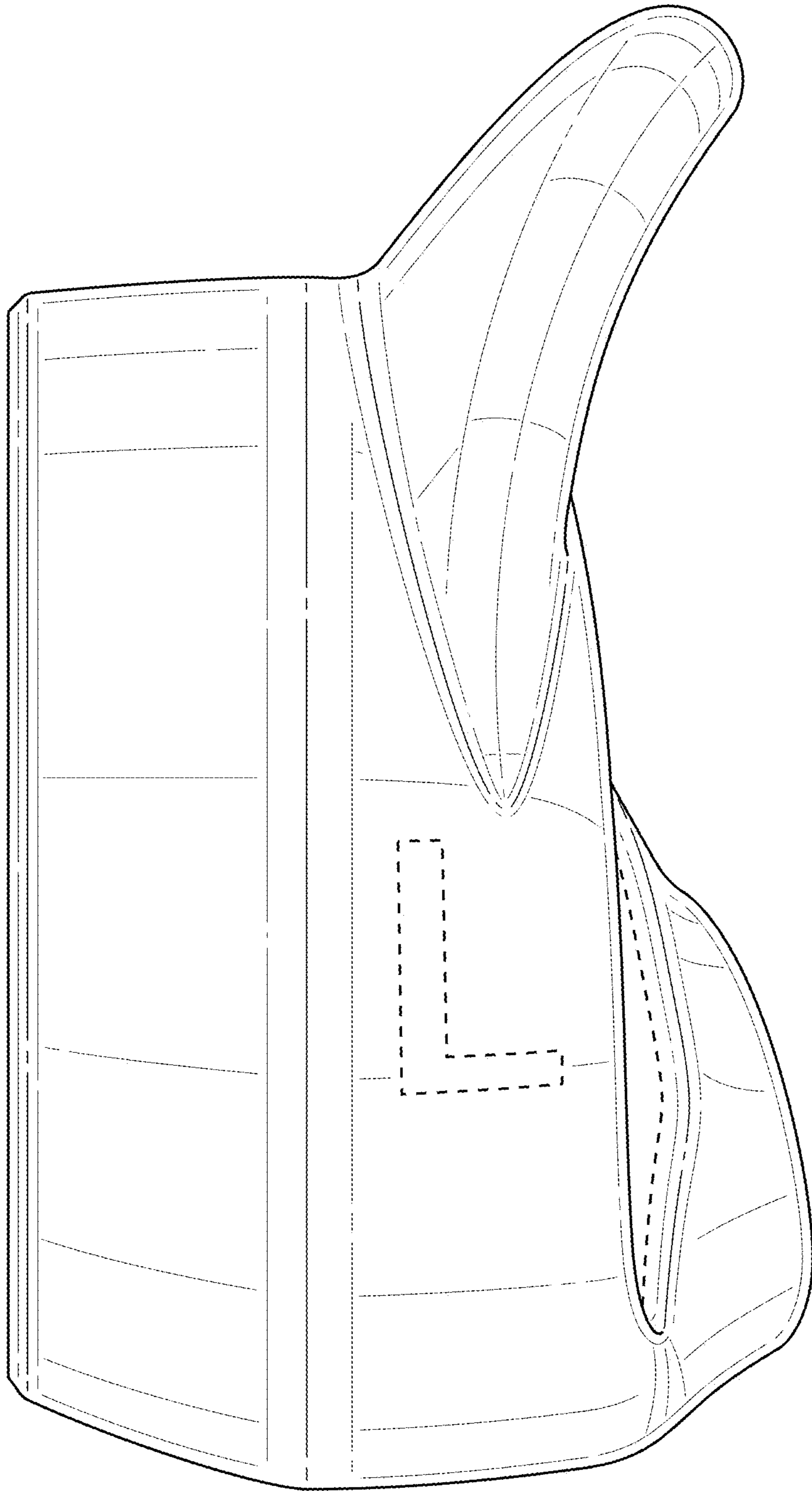


FIG. 7

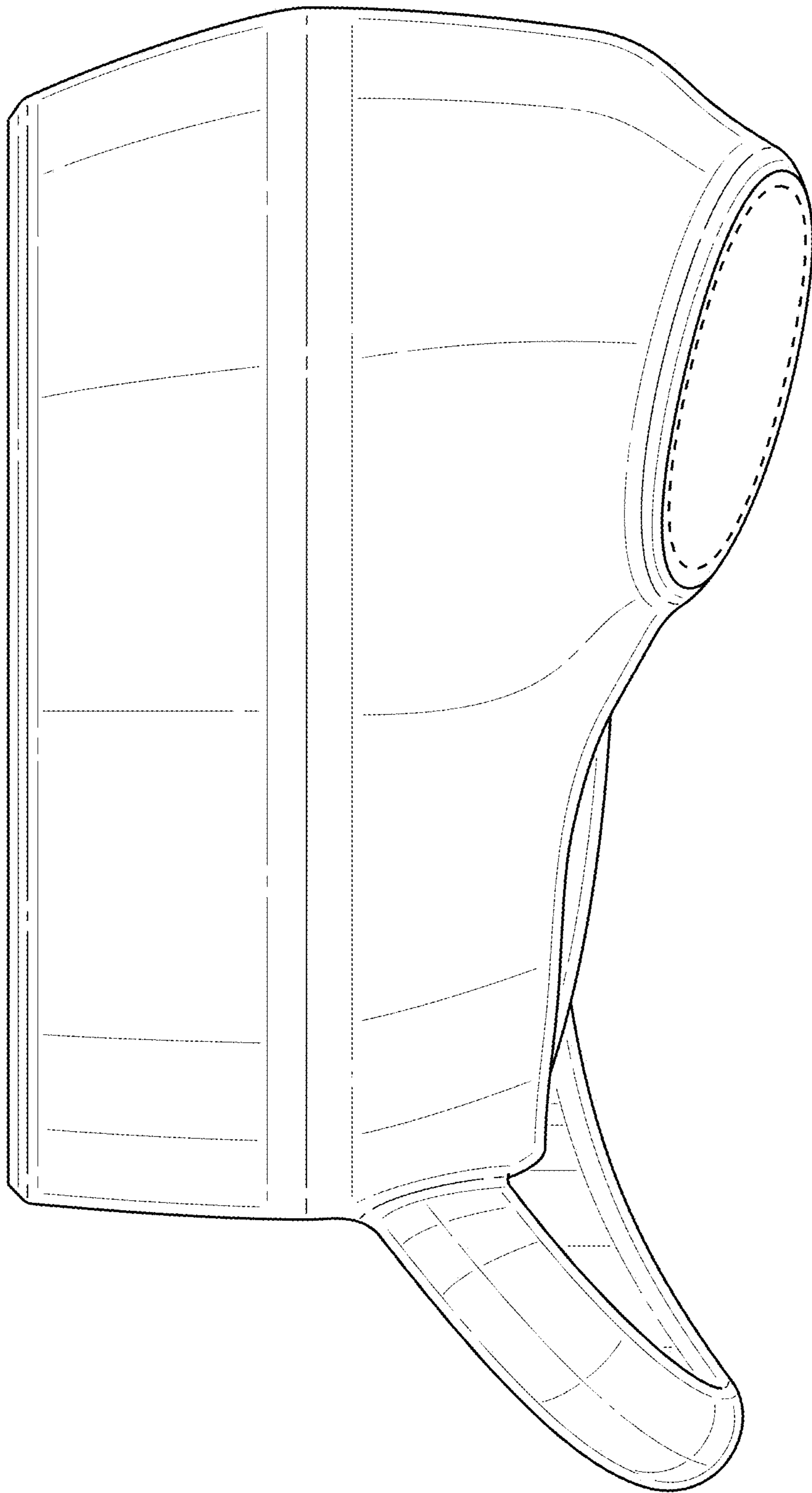


FIG. 8

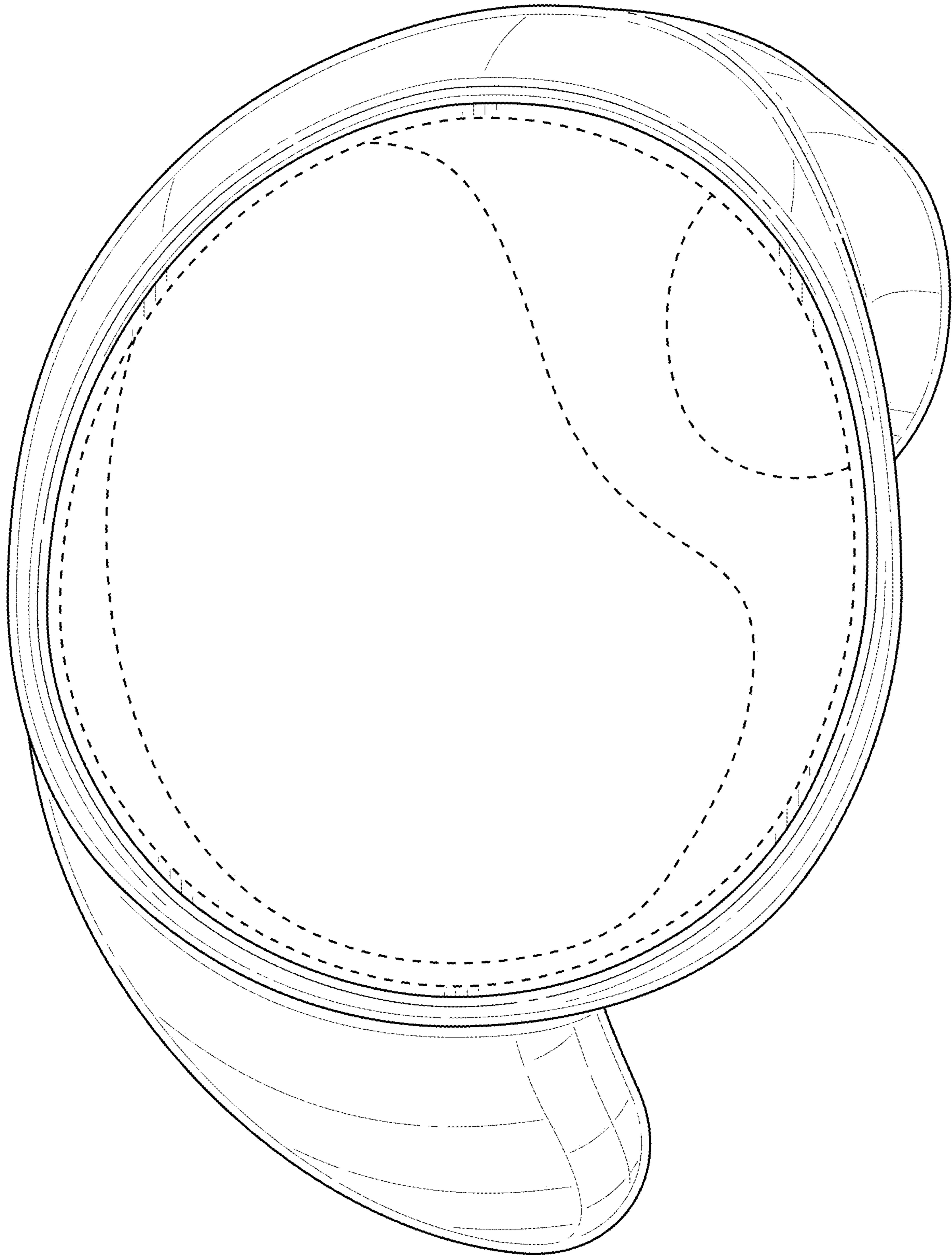


FIG. 9

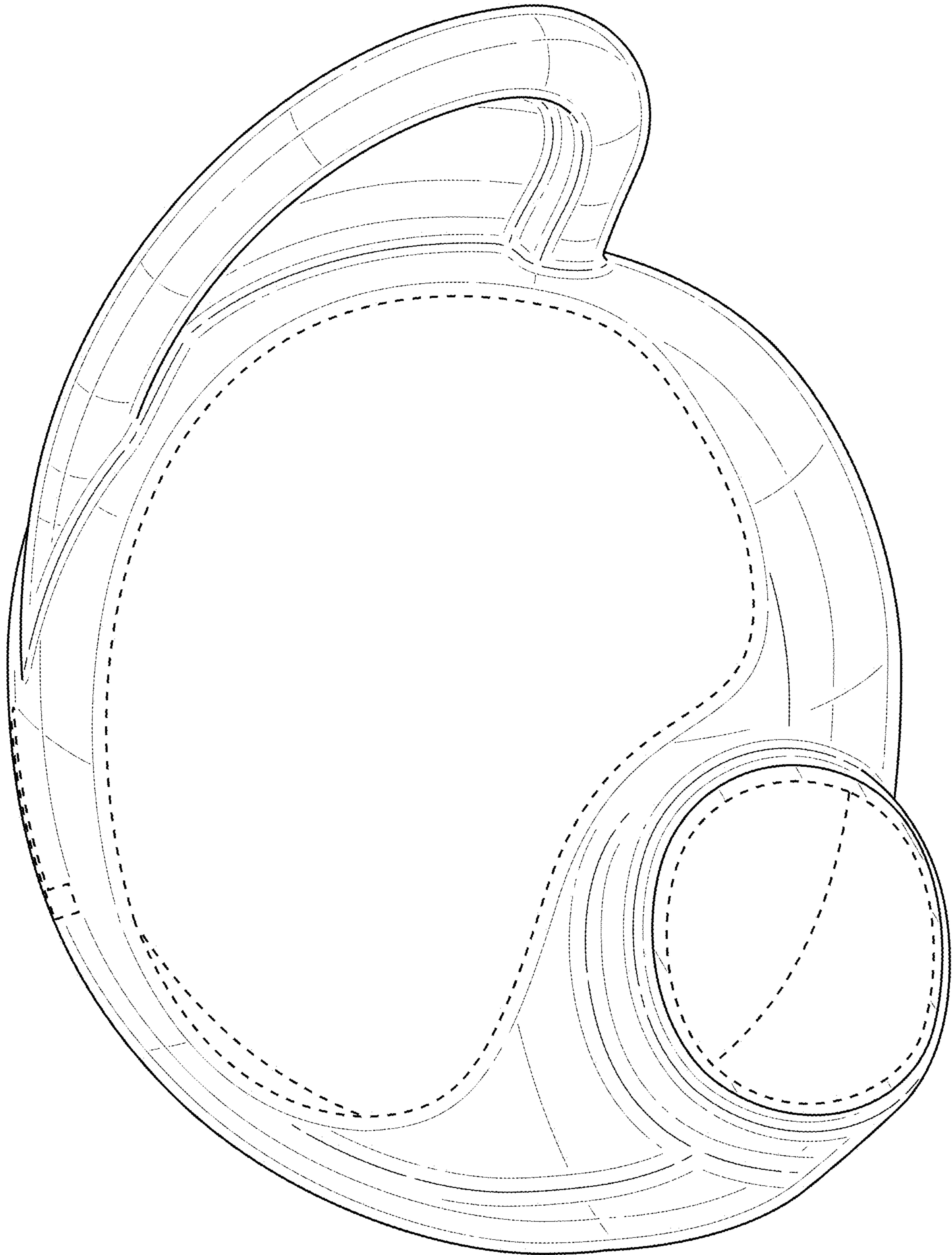


FIG. 10

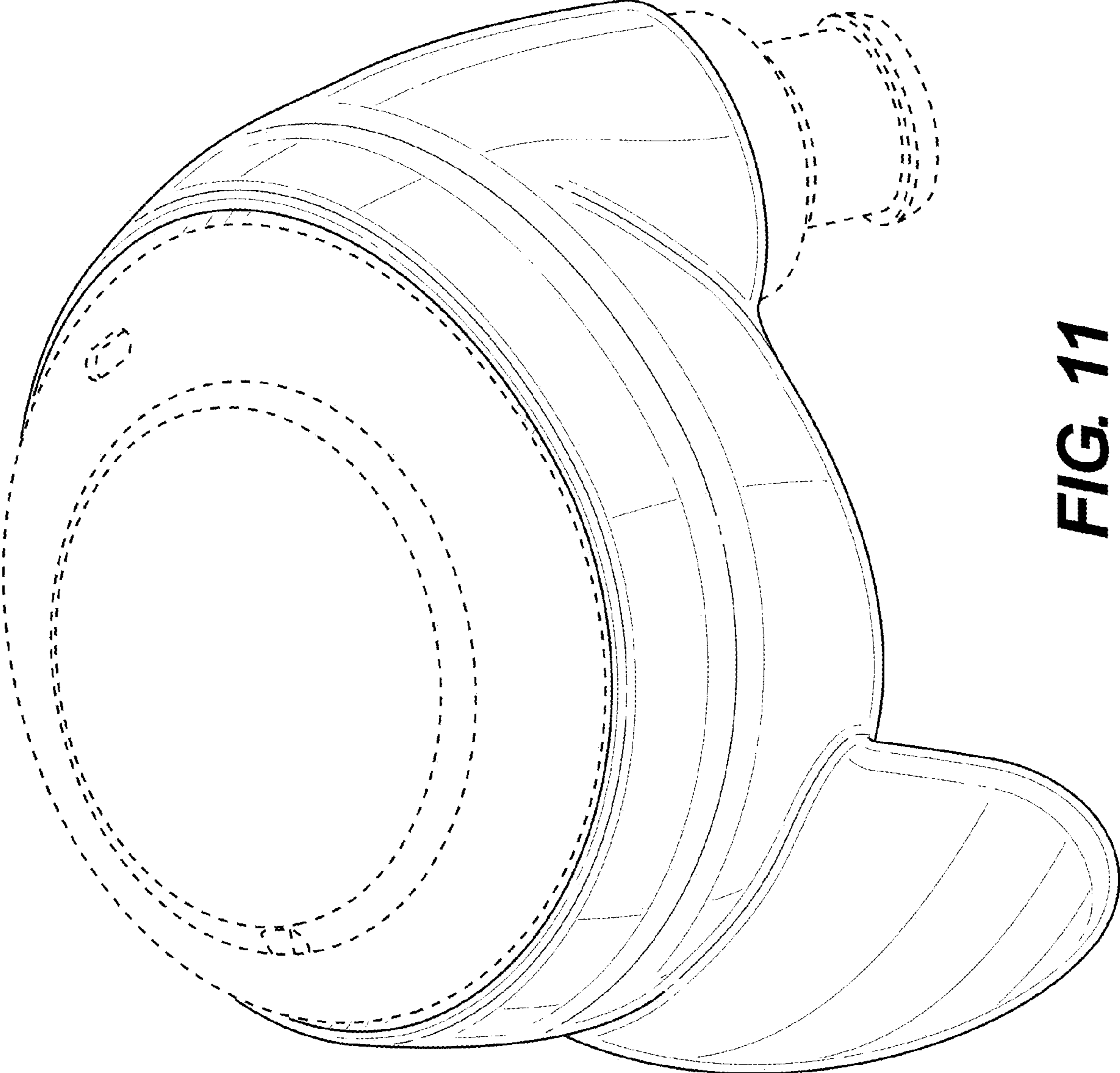


FIG. 11

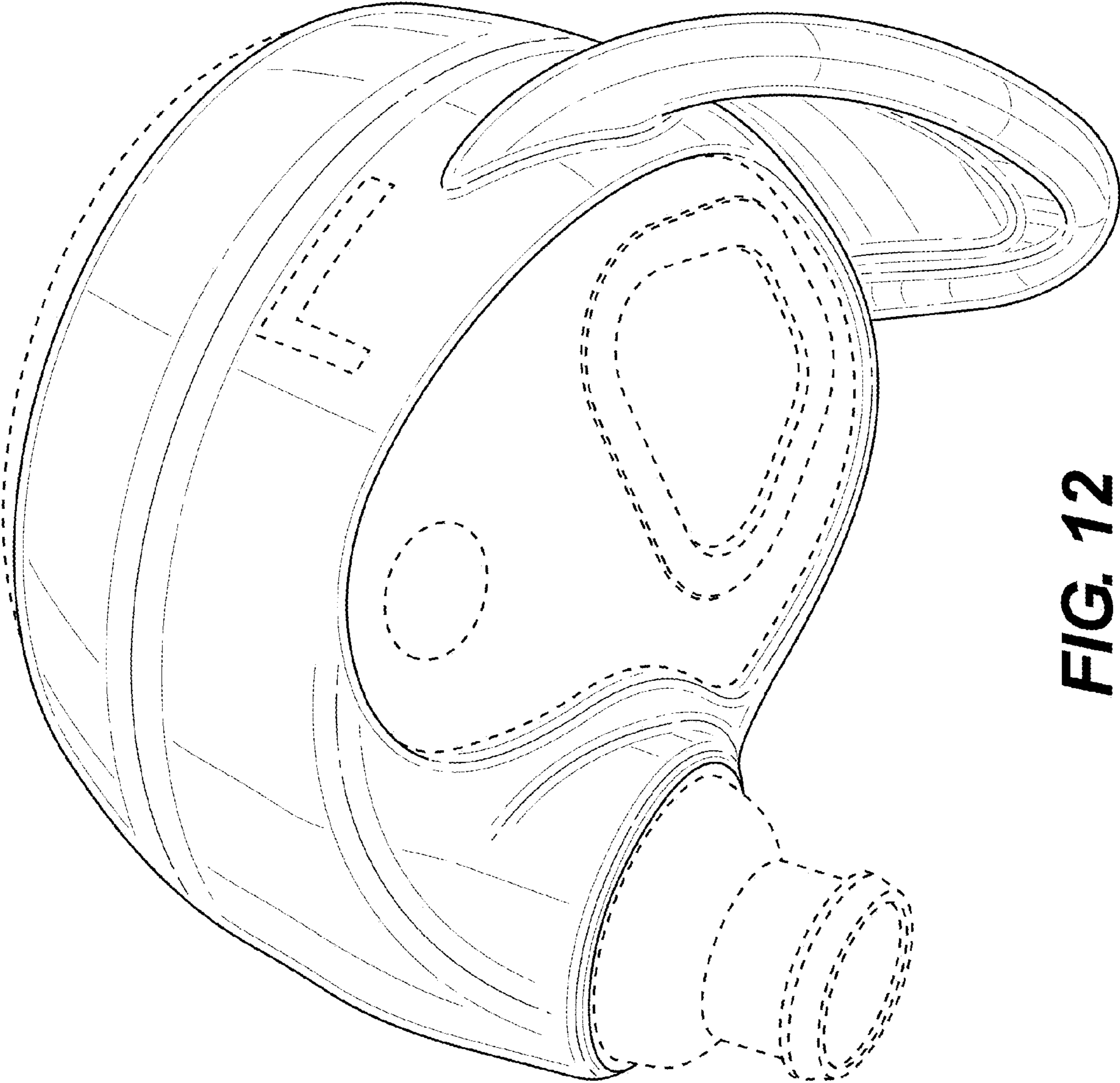


FIG. 12

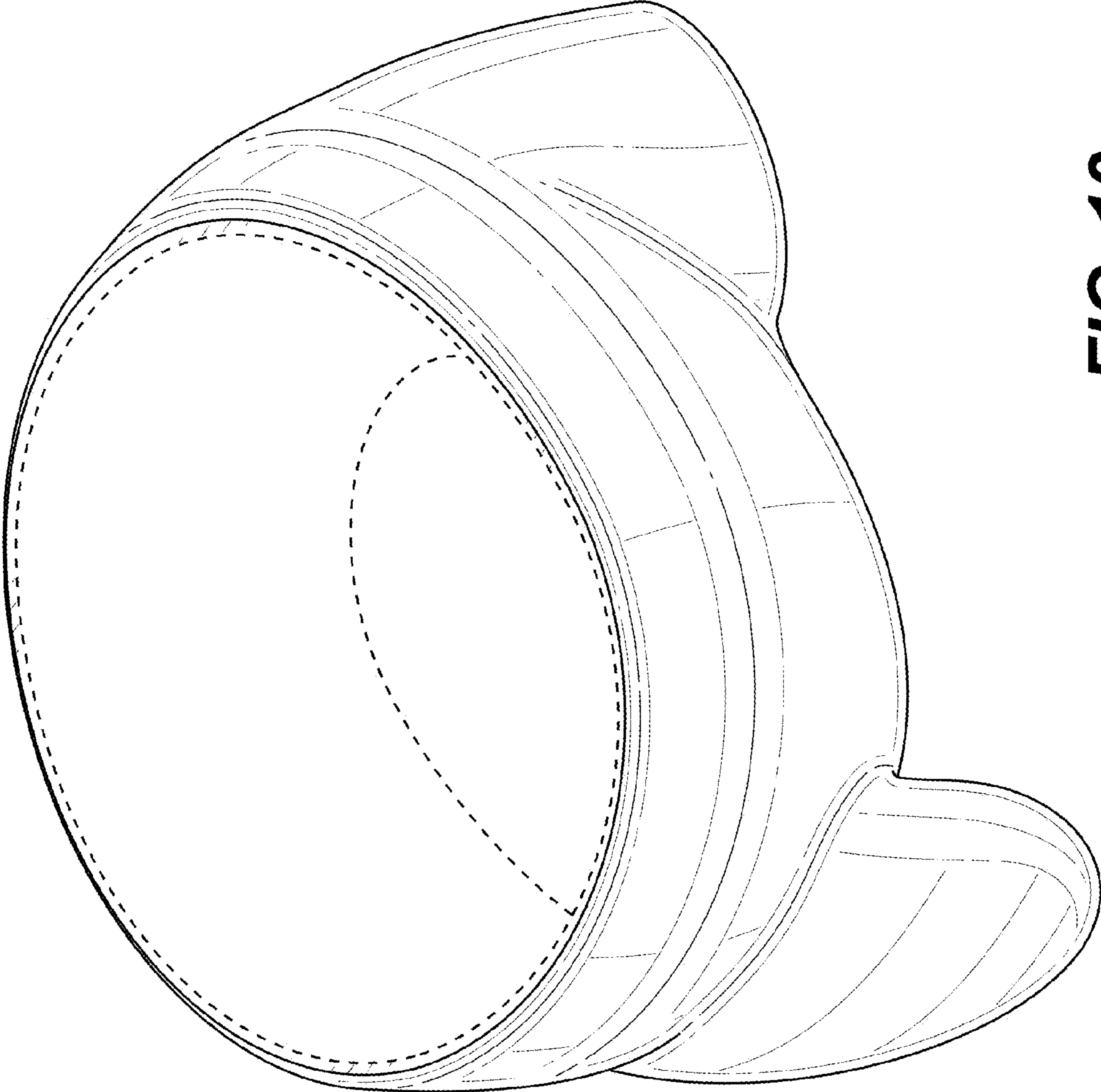


FIG. 13

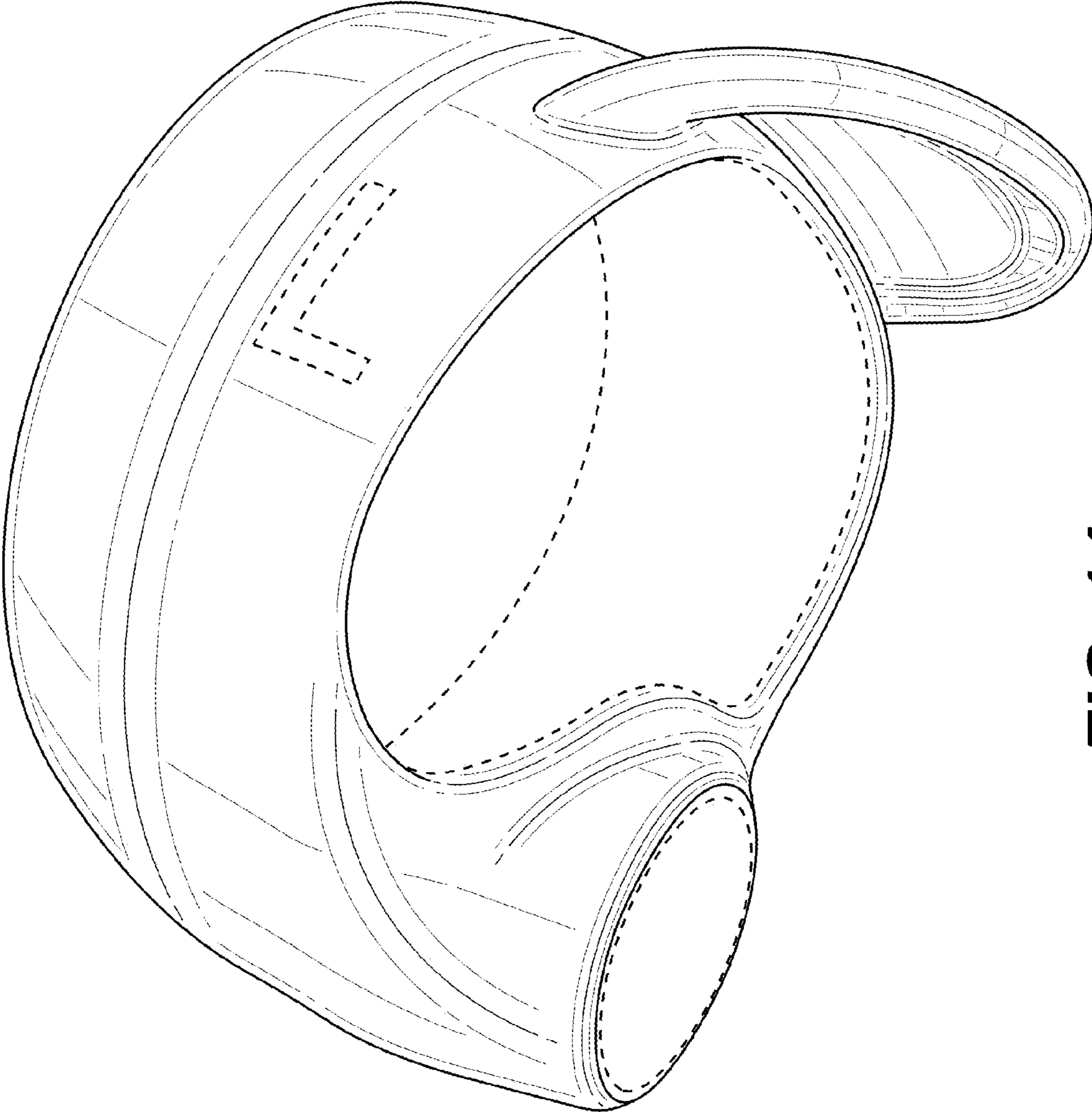


FIG. 14

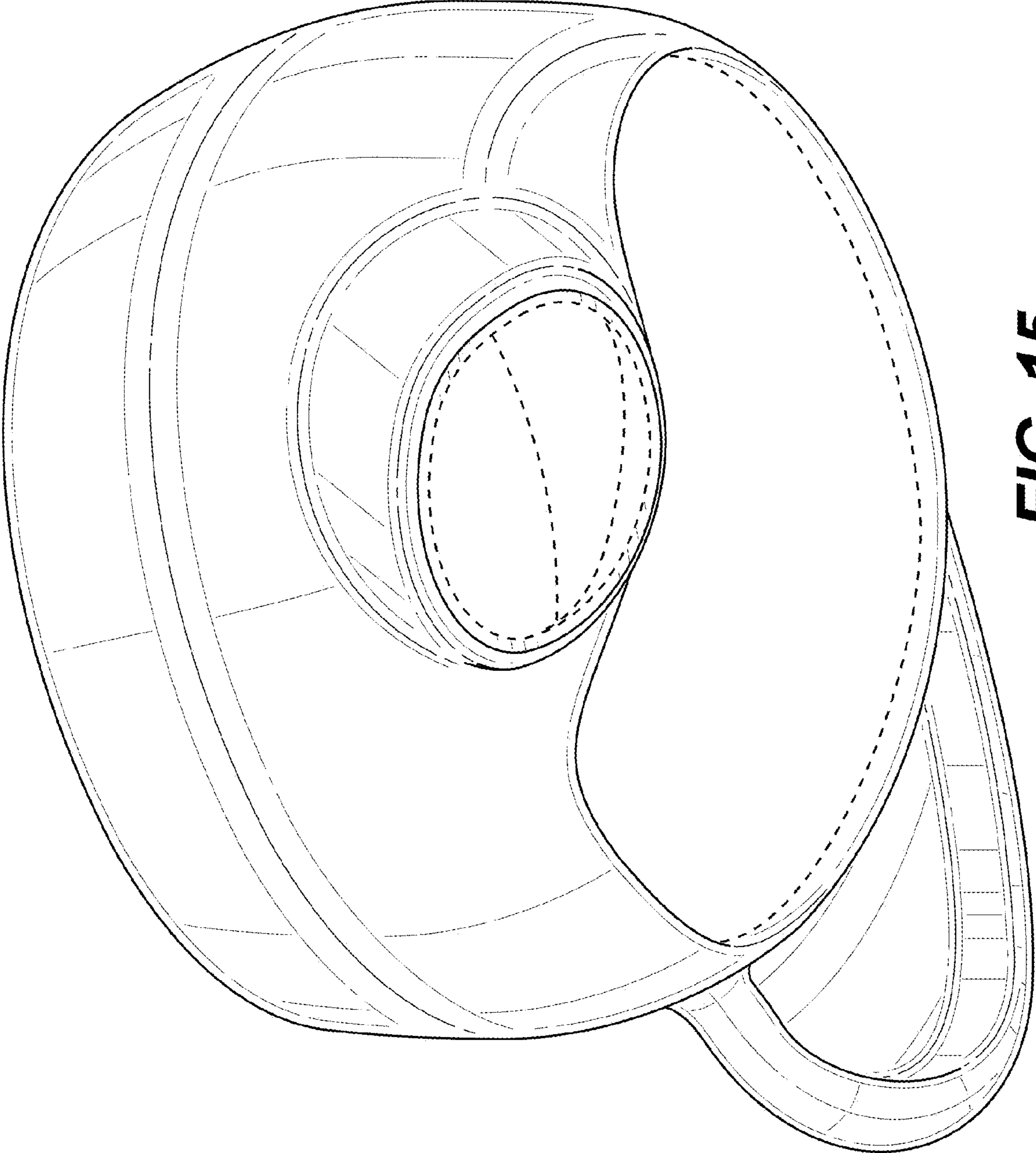


FIG. 15

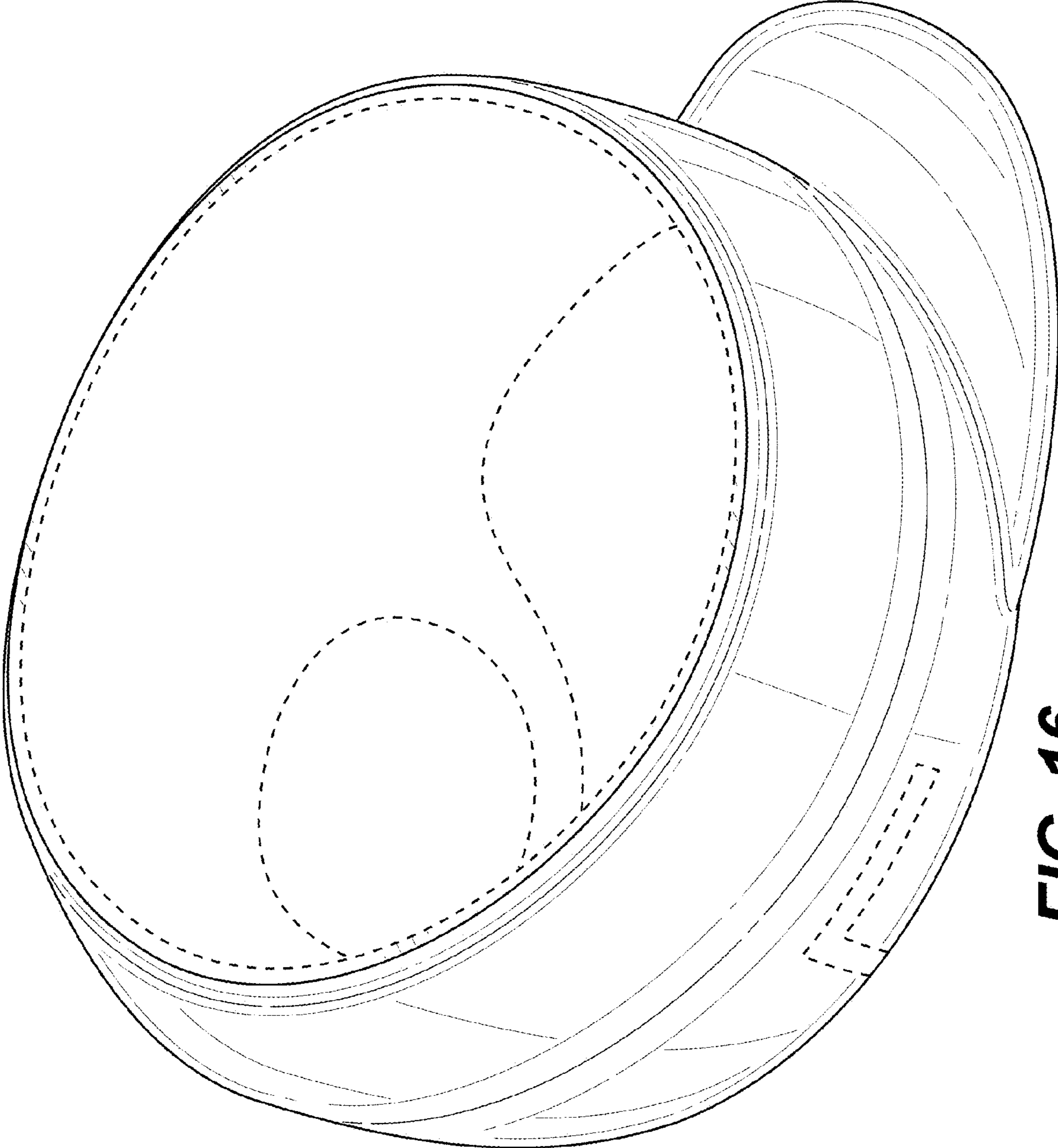


FIG. 16

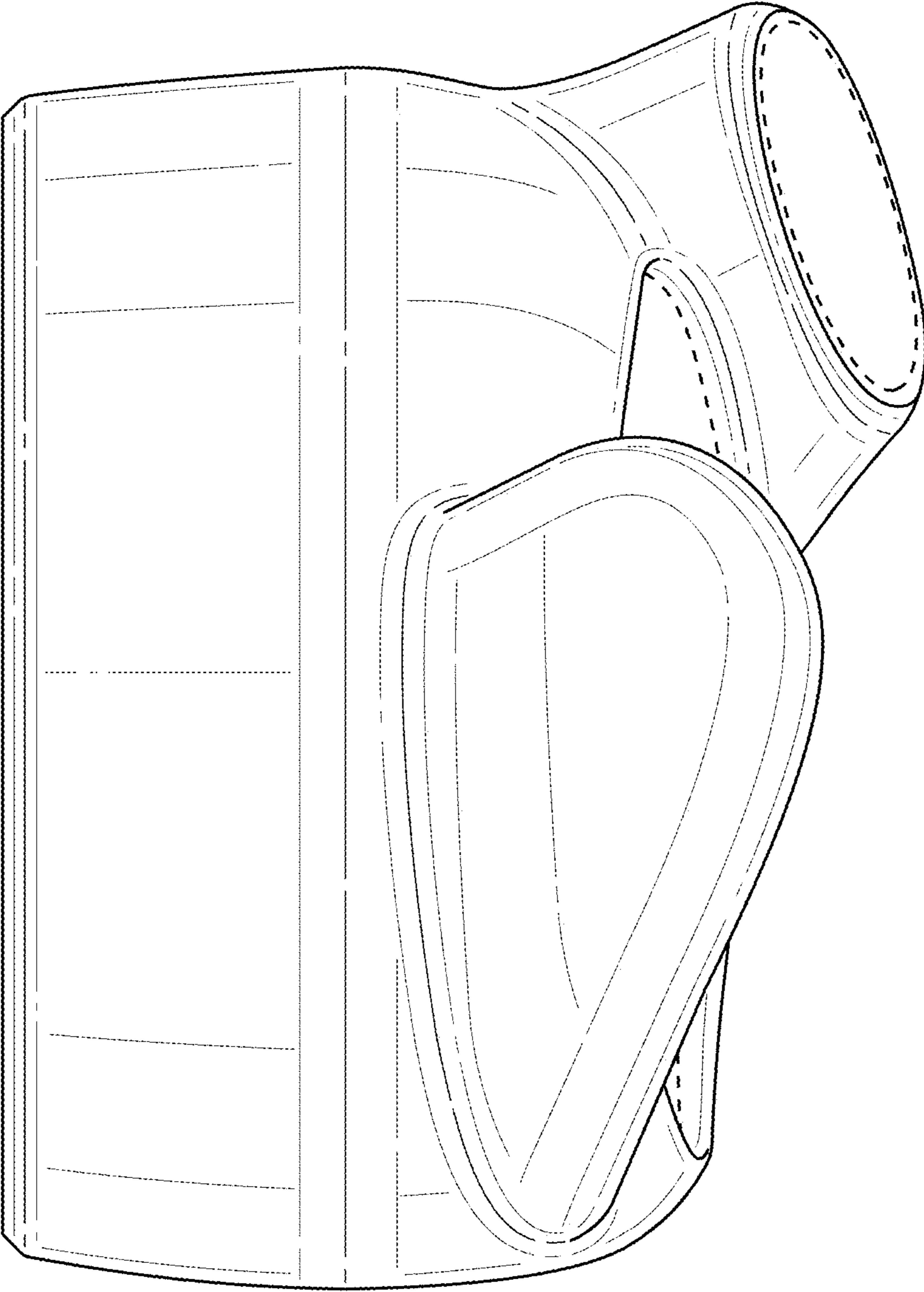


FIG. 17

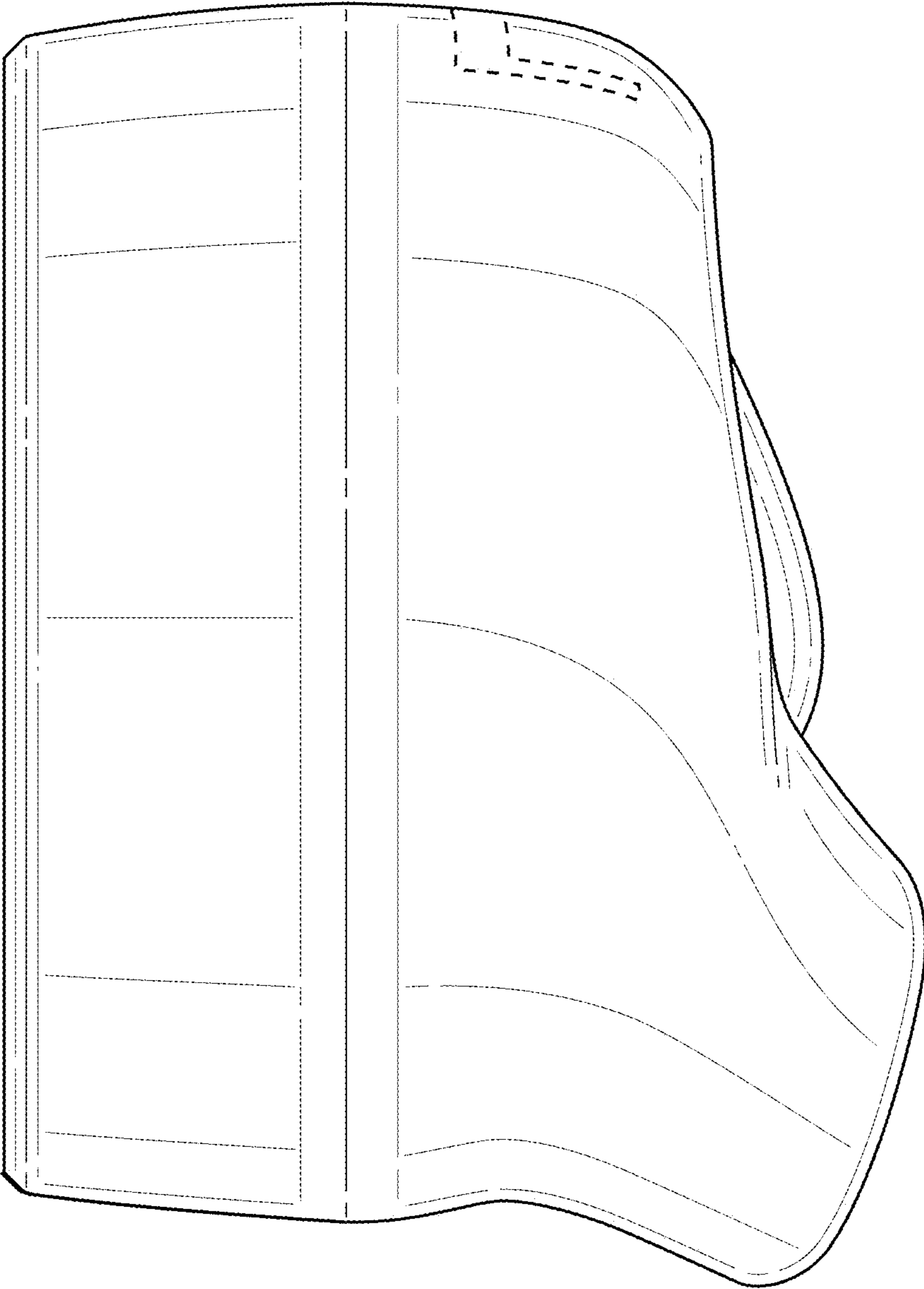


FIG. 18

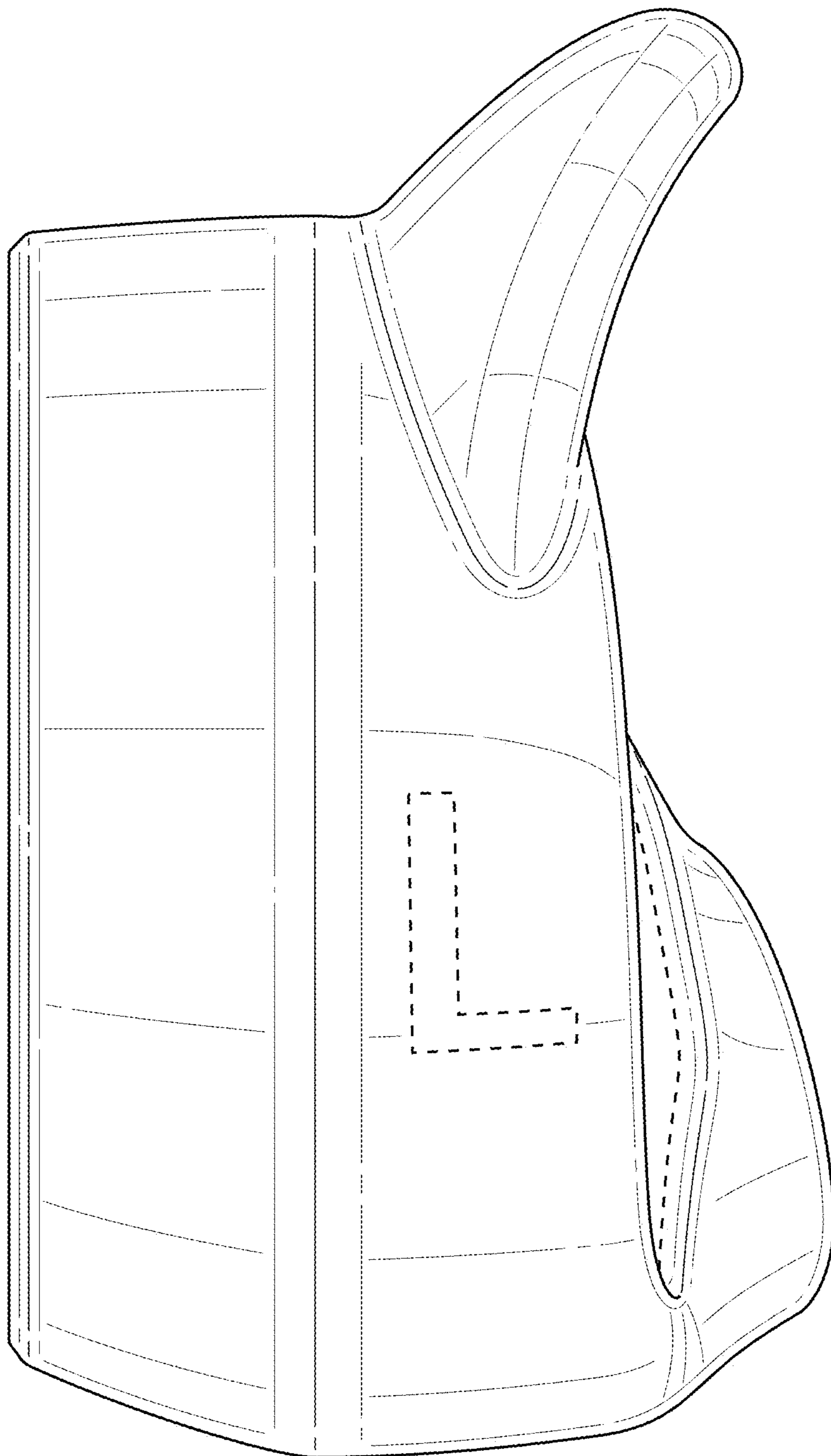


FIG. 19

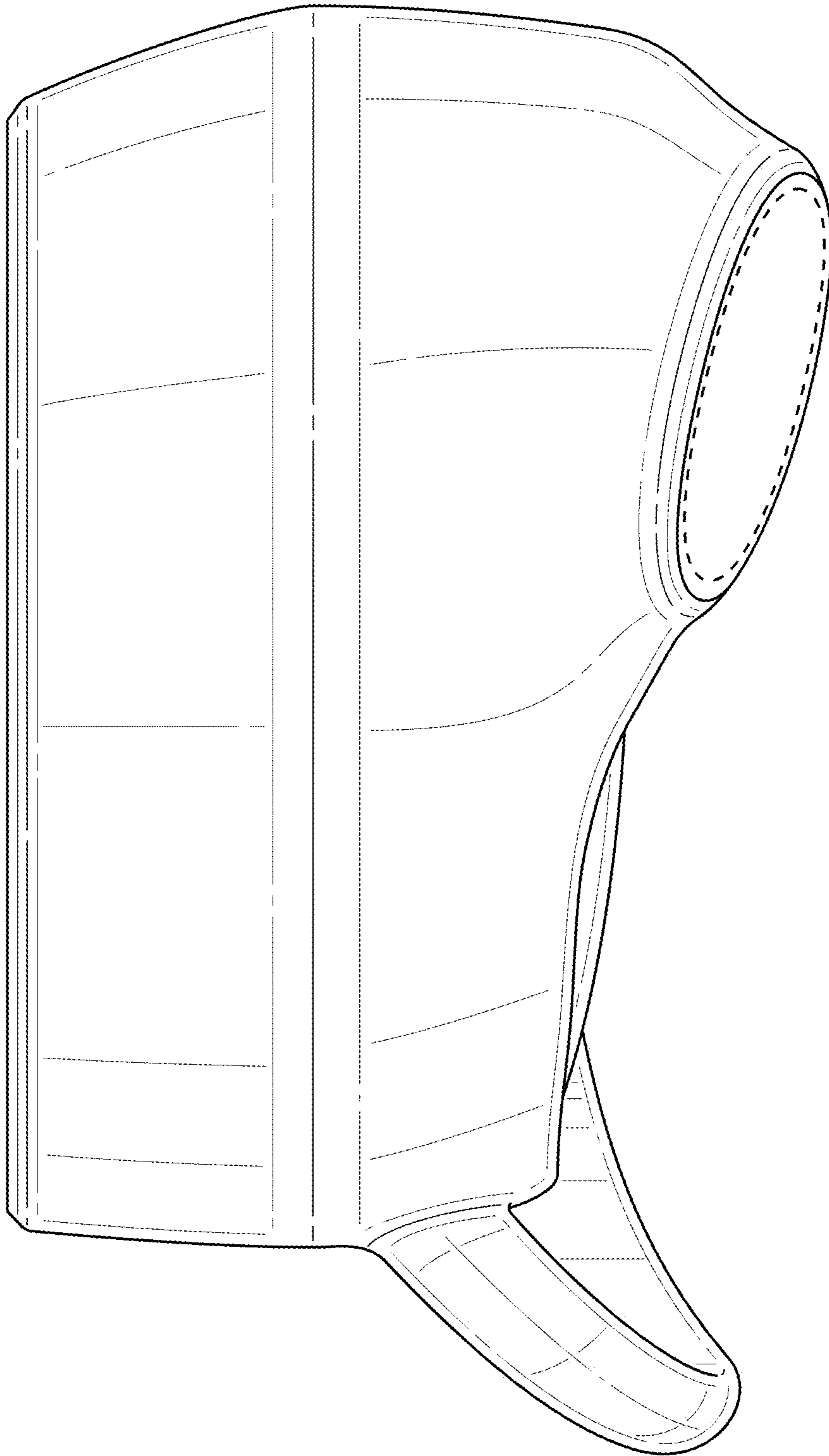


FIG. 20

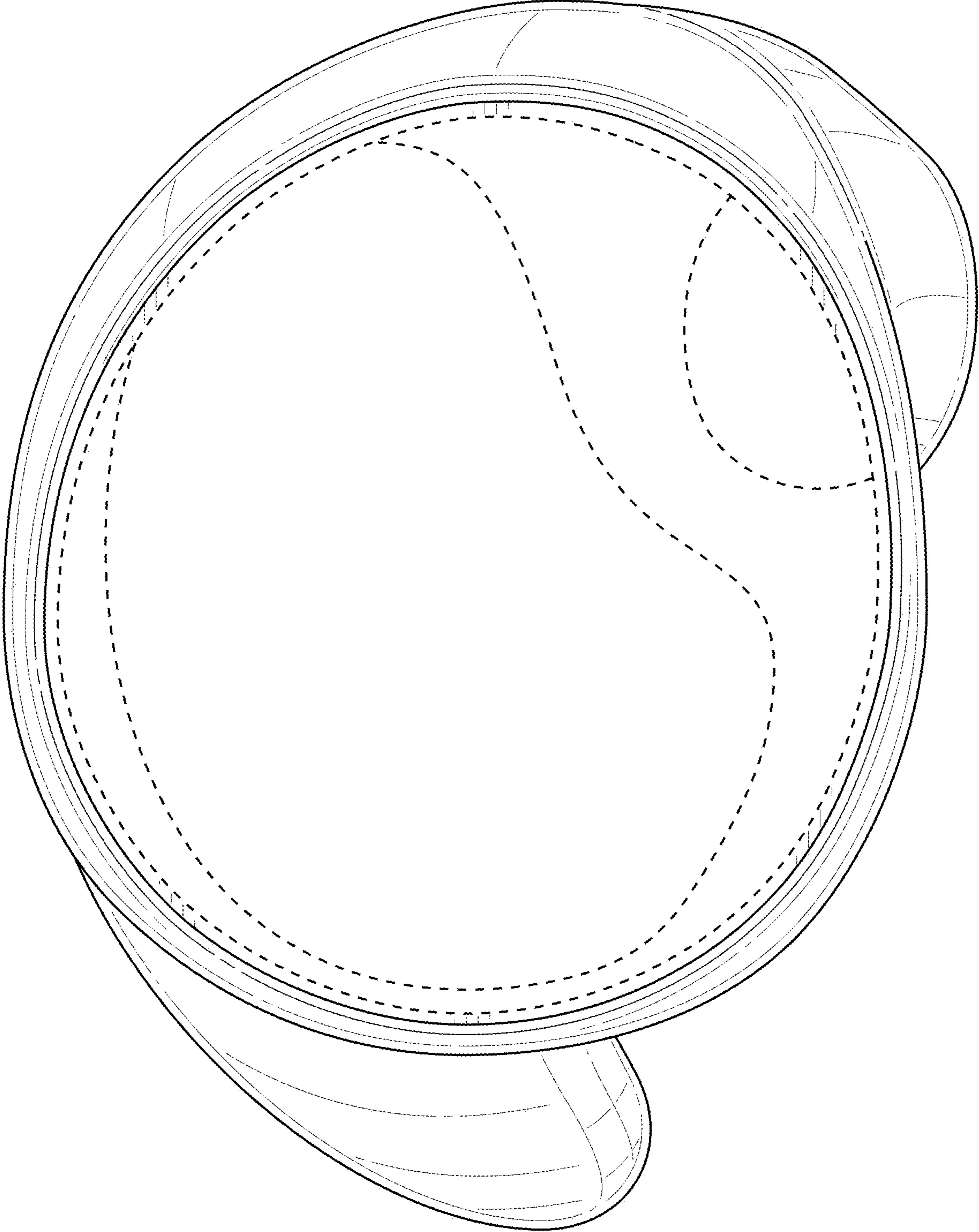


FIG. 21

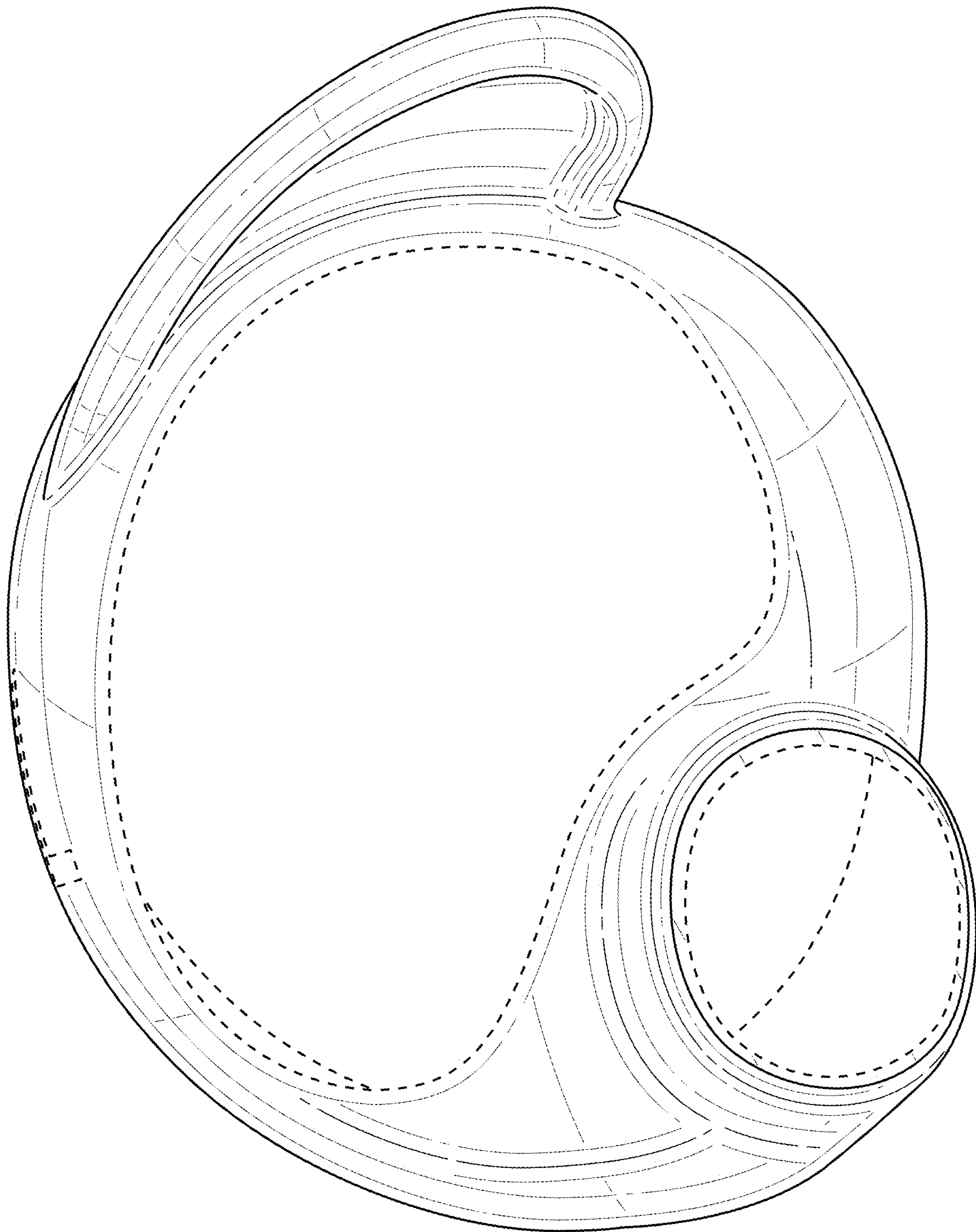


FIG. 22

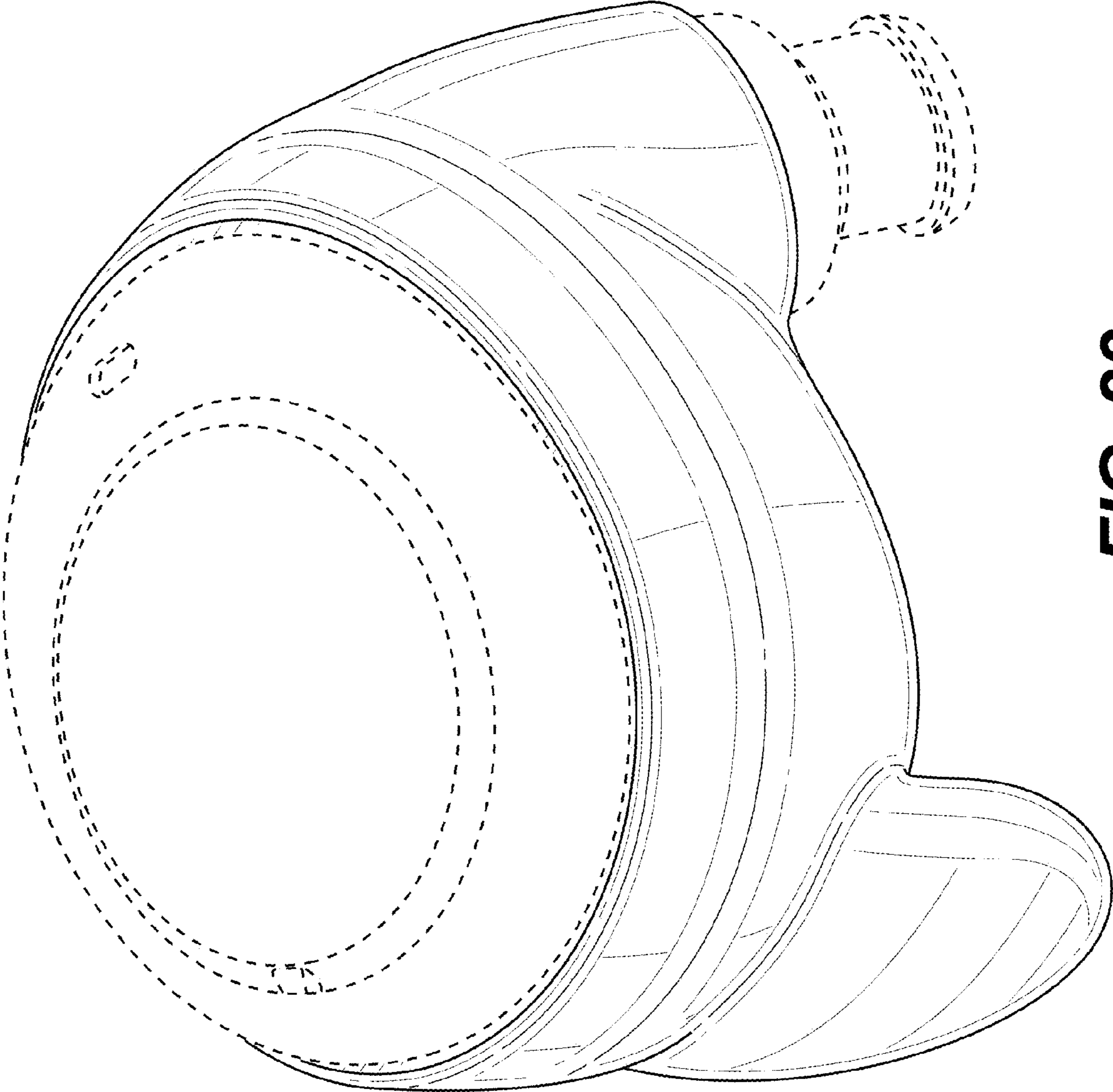


FIG. 23

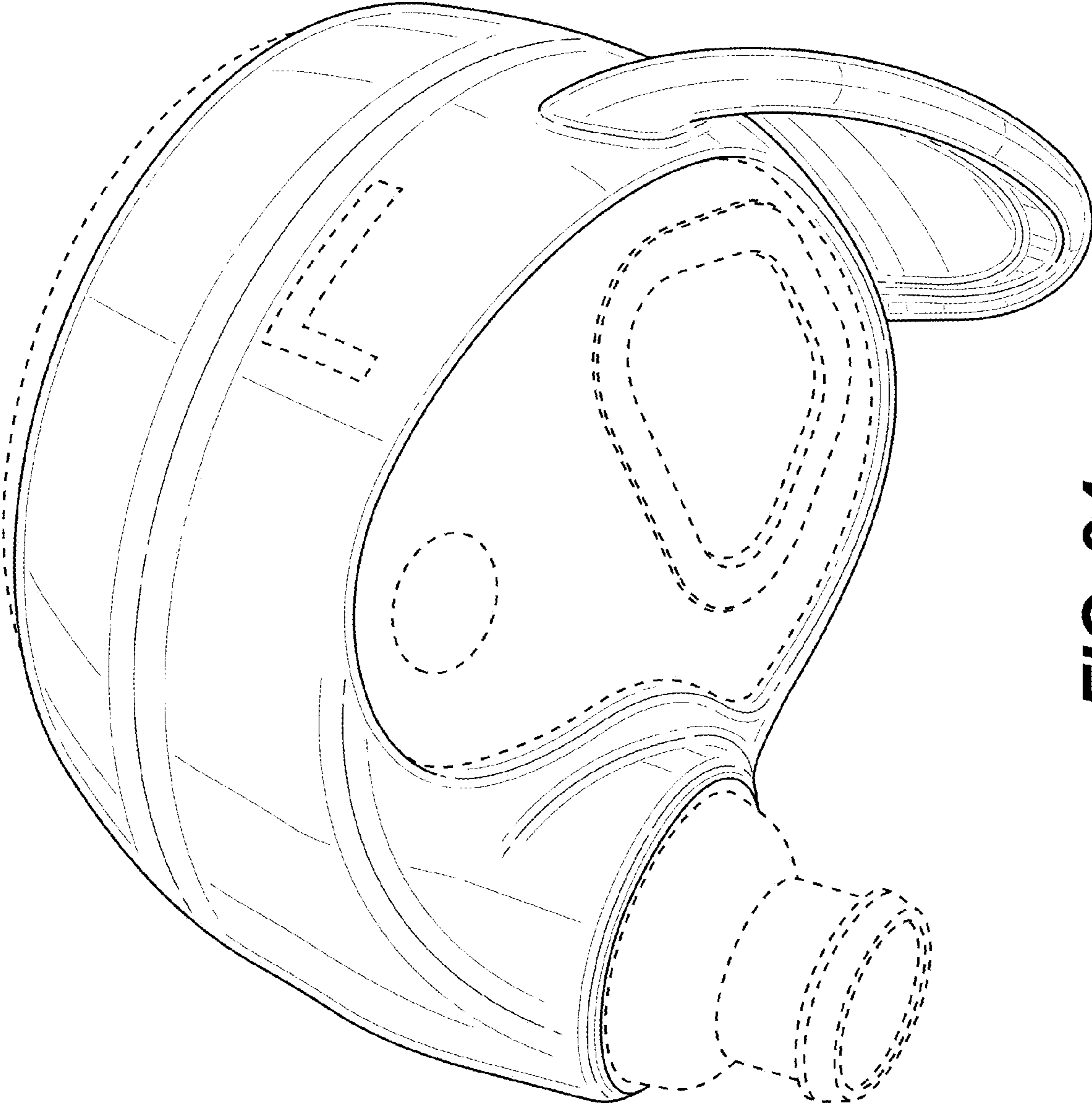


FIG. 24

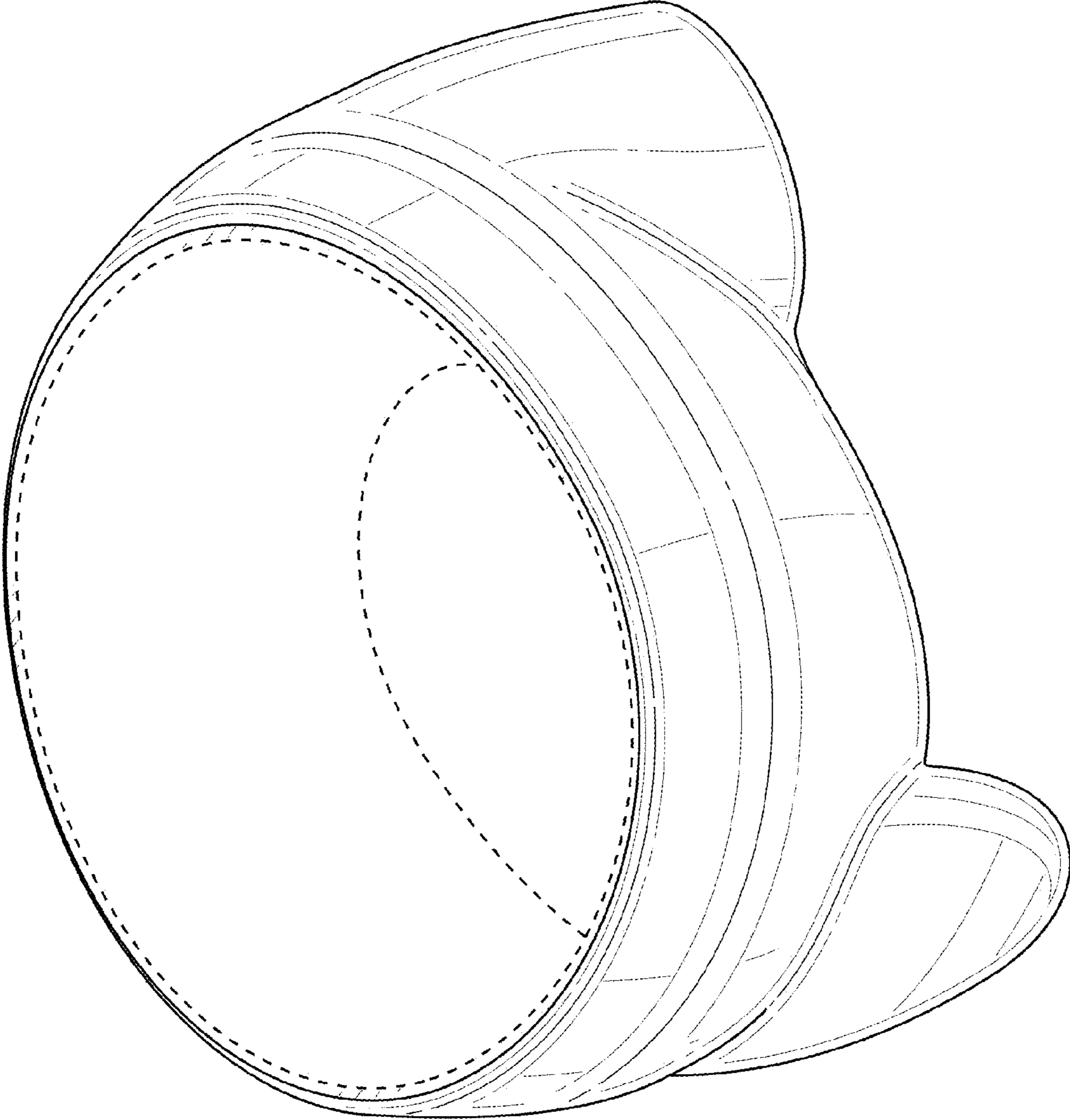


FIG. 25

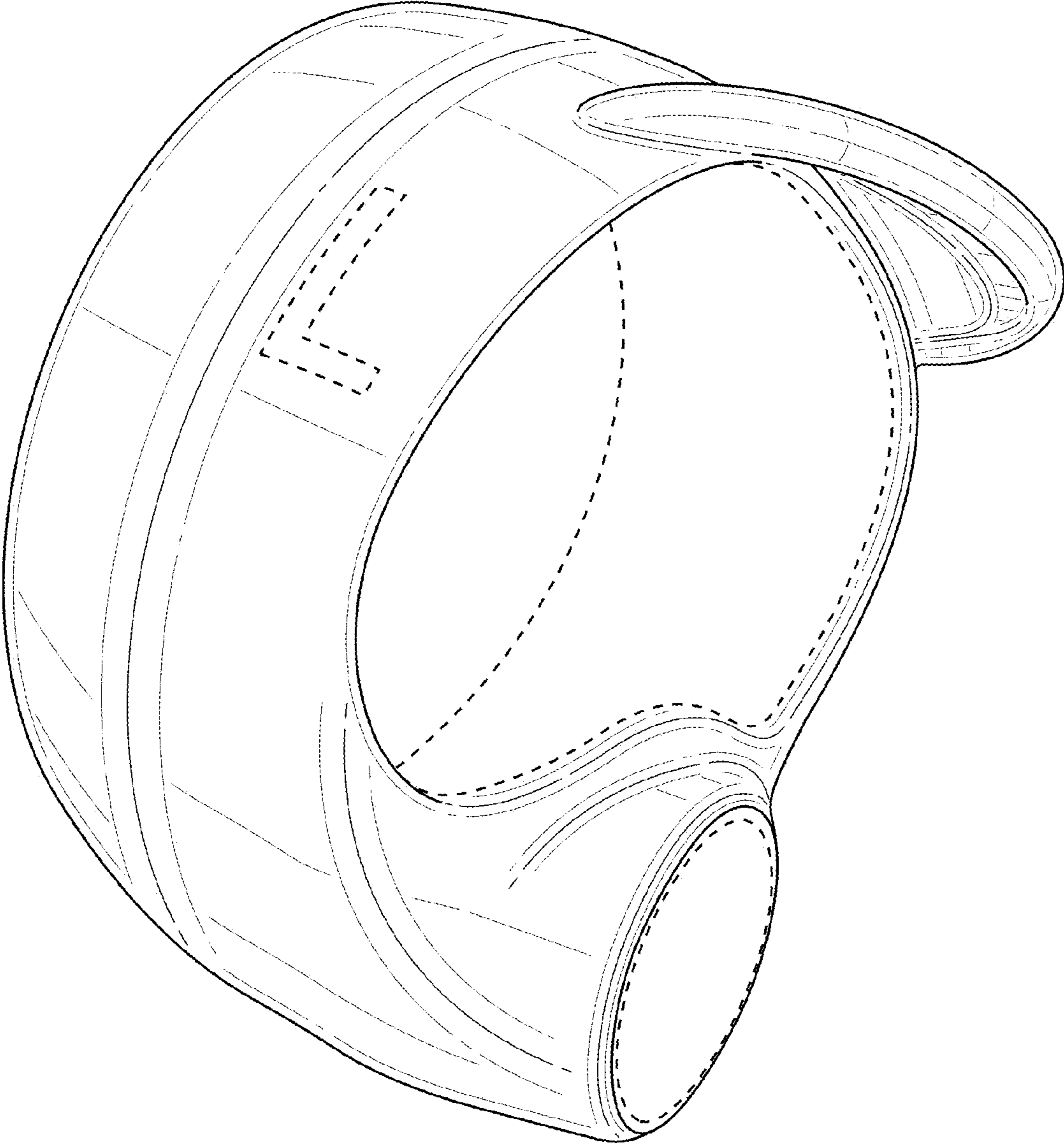


FIG. 26

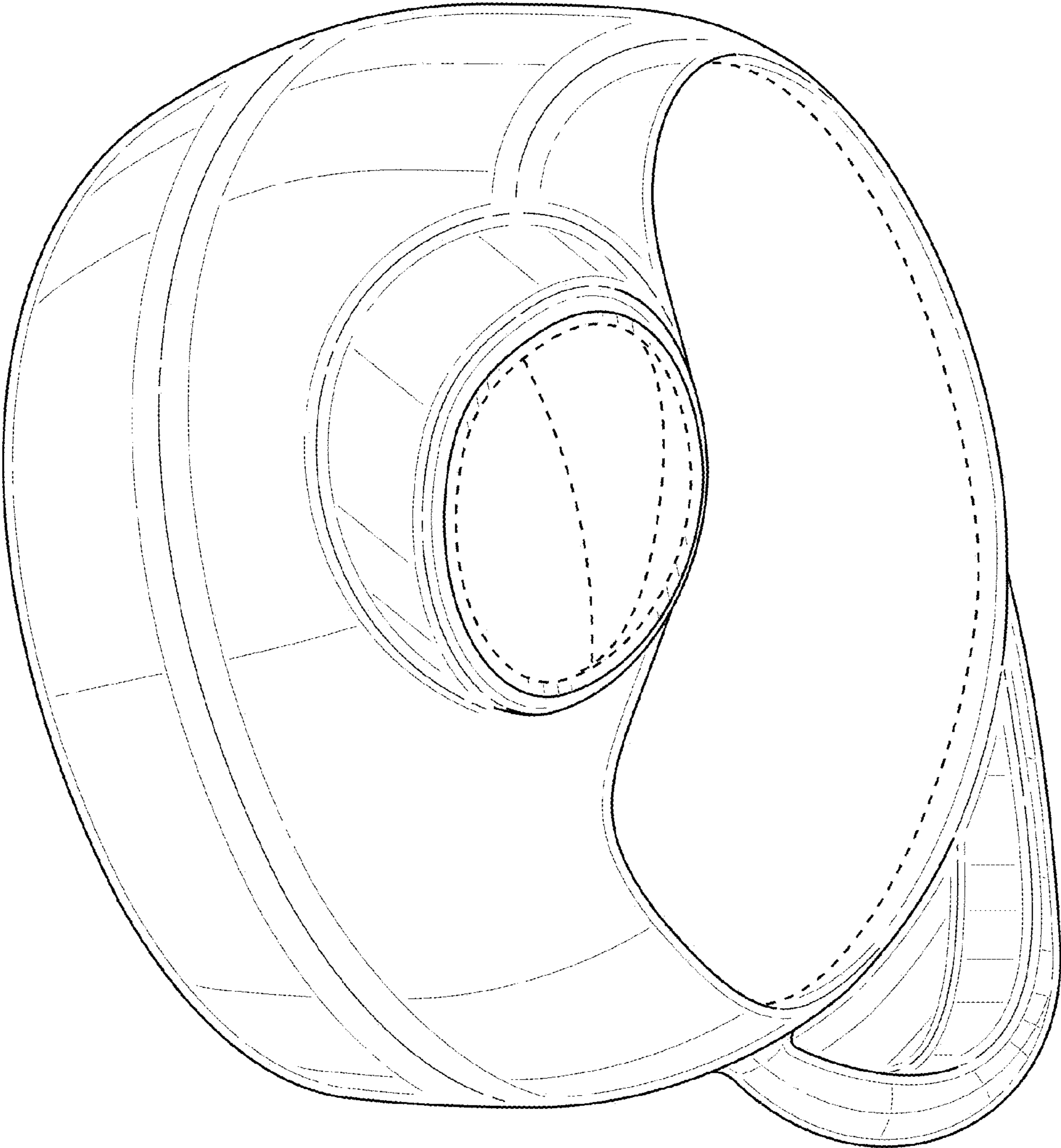


FIG. 27

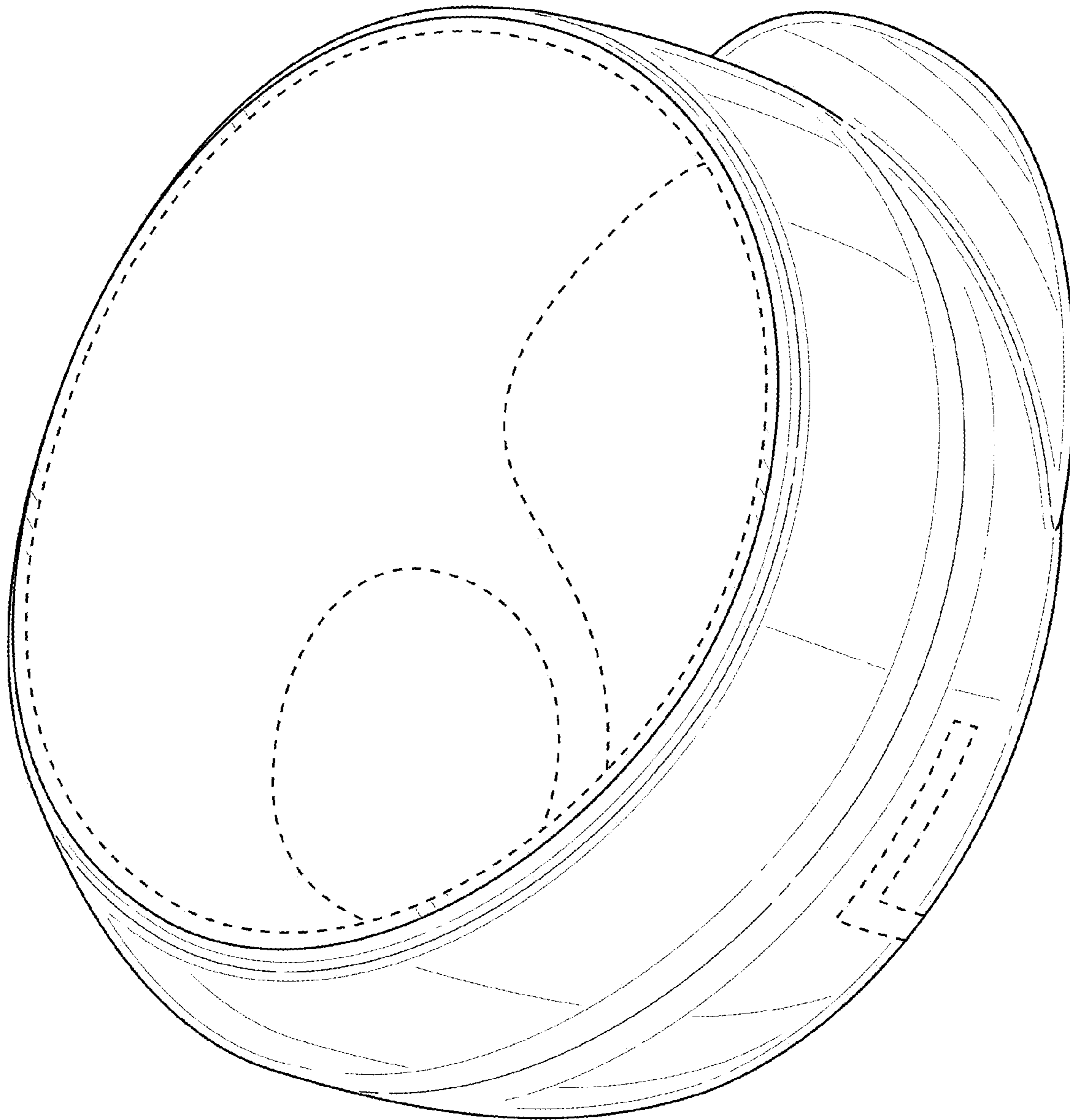


FIG. 28

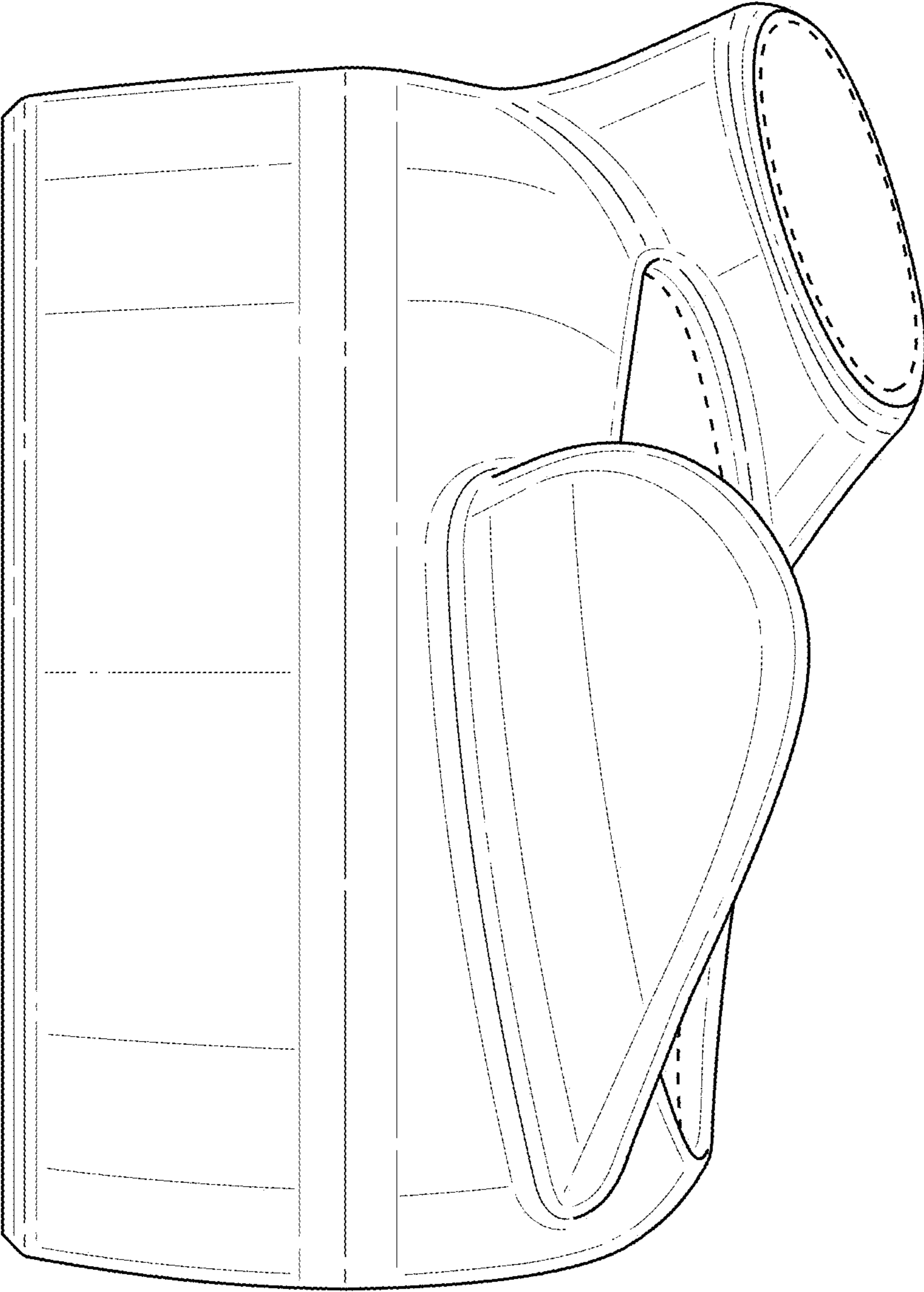


FIG. 29

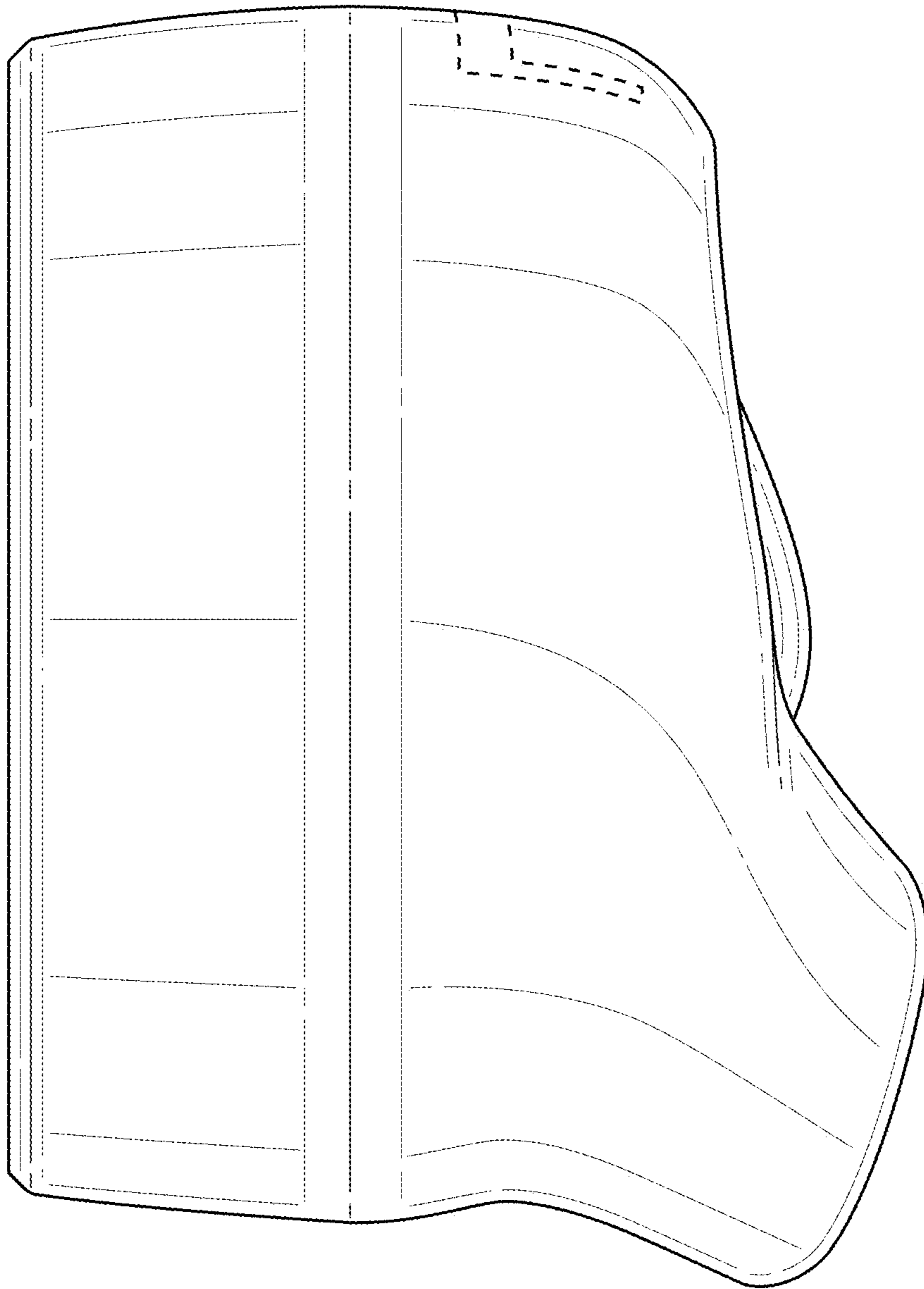


FIG. 30

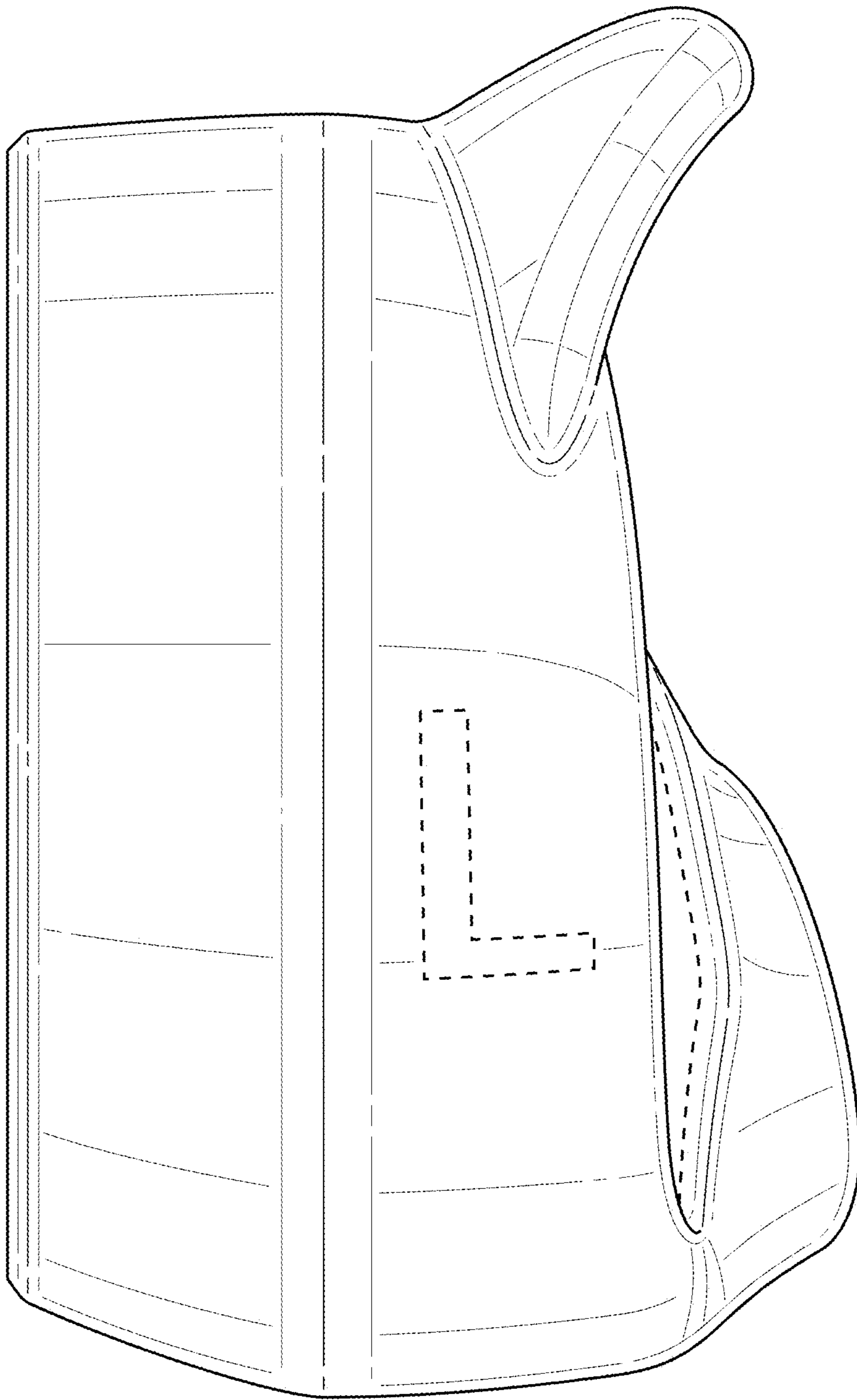


FIG. 31

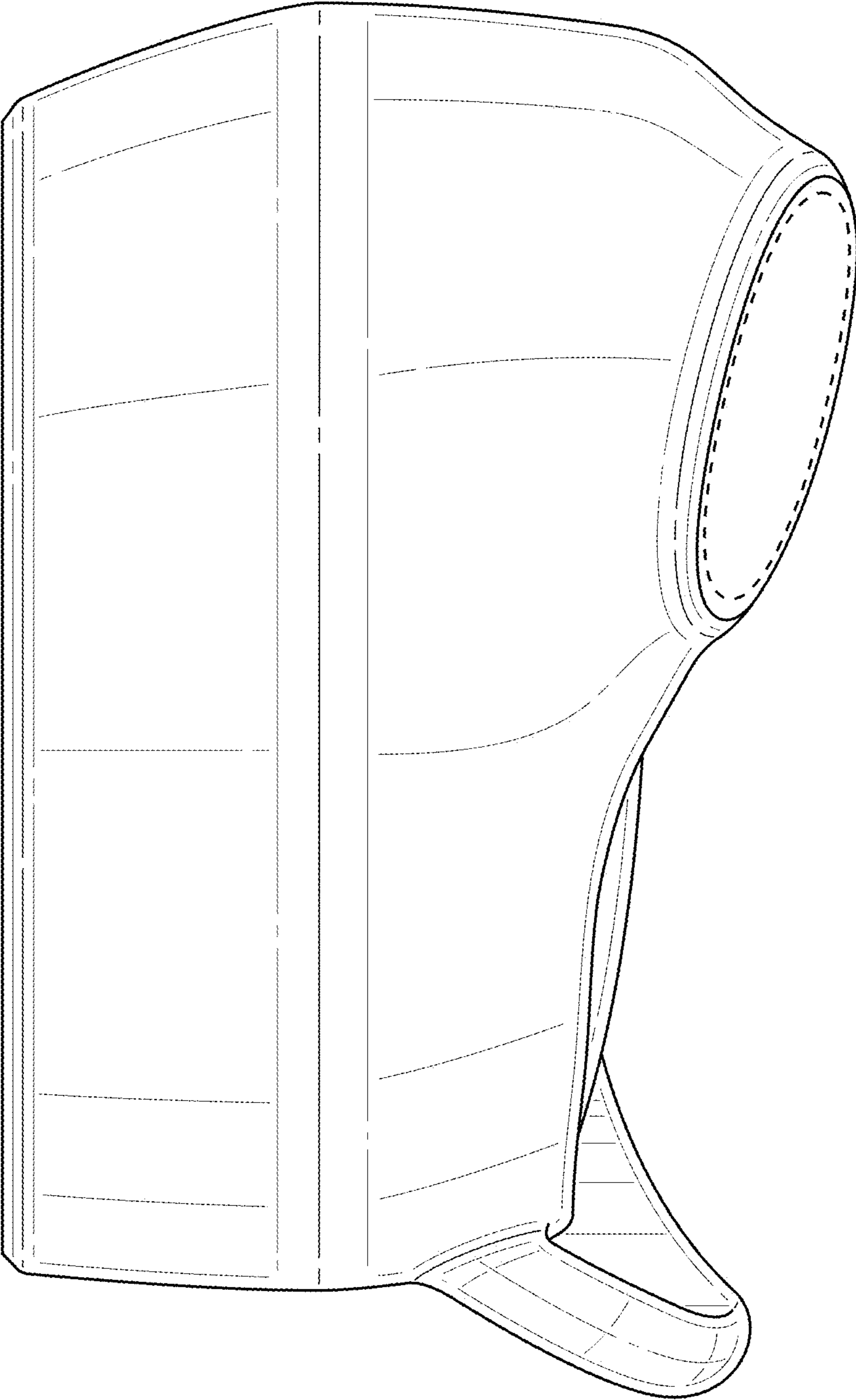


FIG. 32

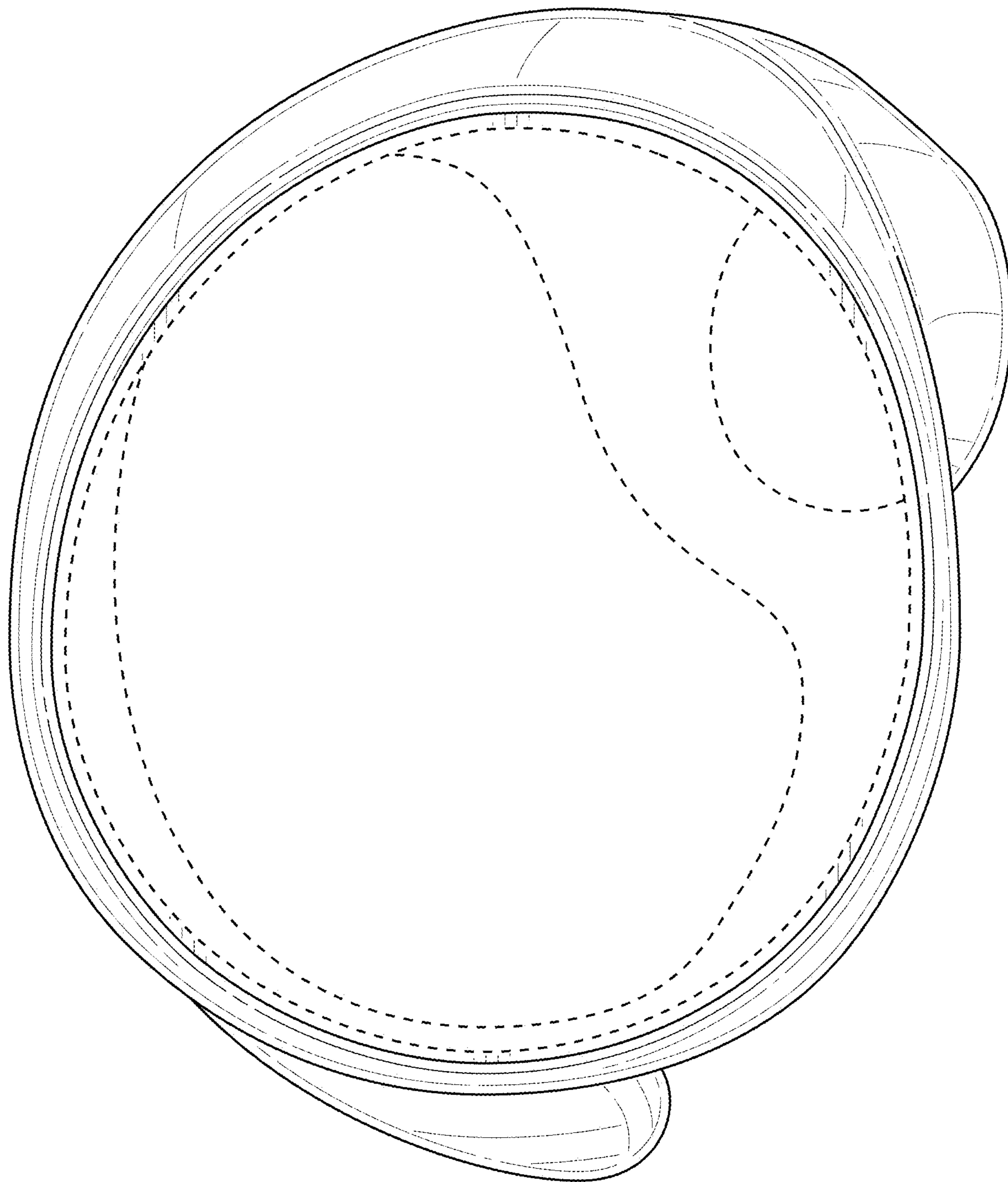


FIG. 33

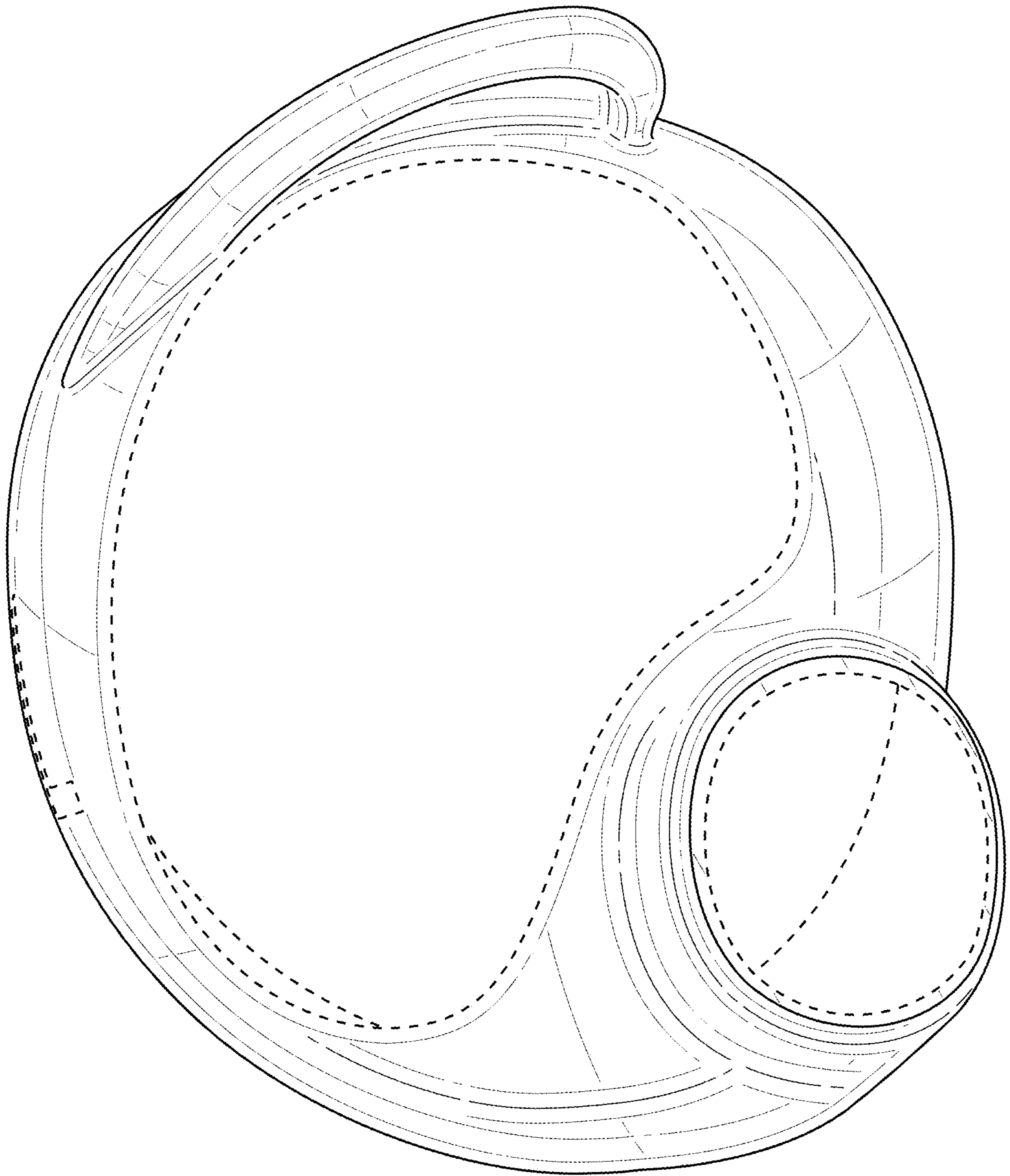


FIG. 34

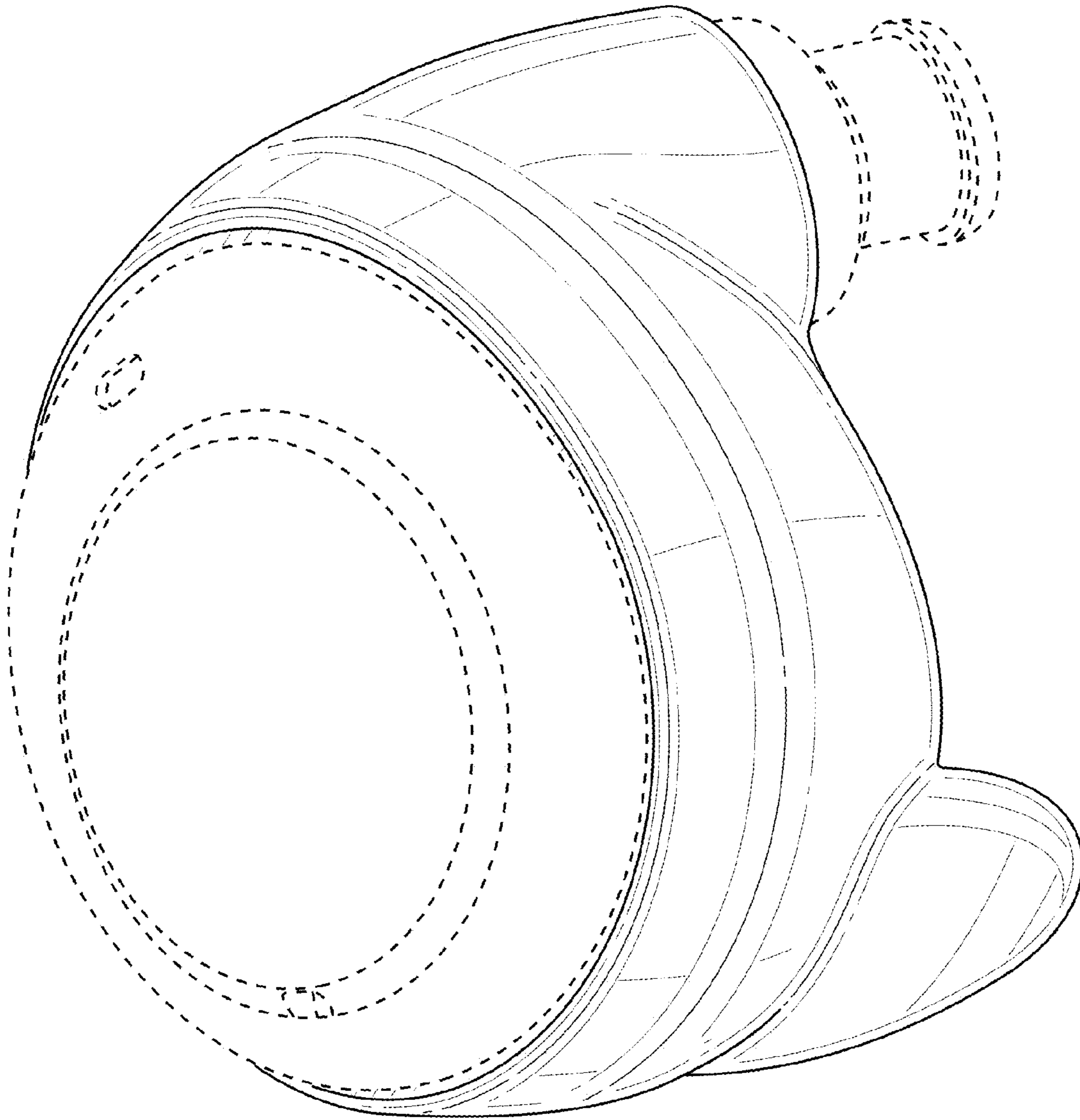


FIG. 35

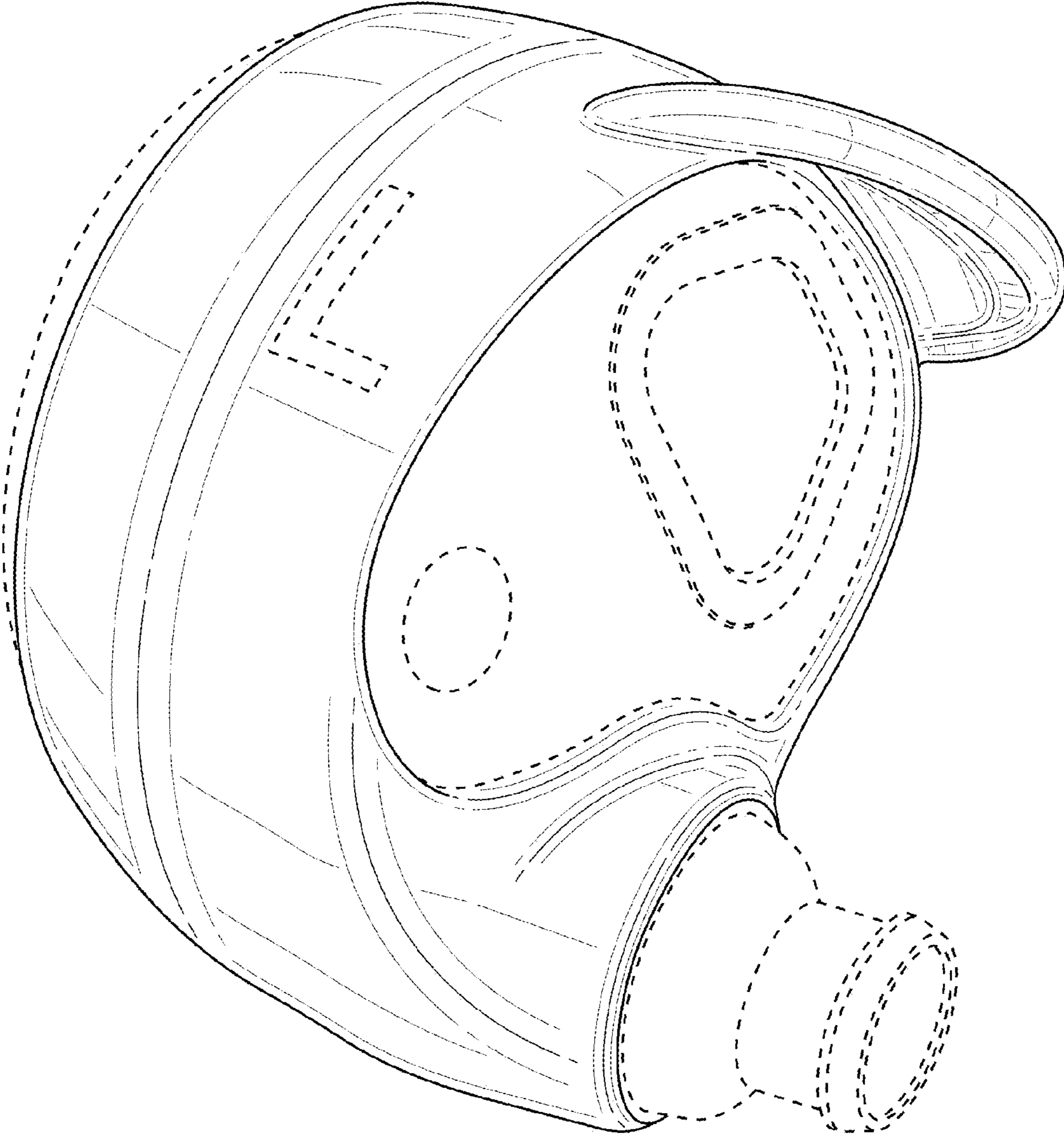


FIG. 36