



US00D961550S

(12) **United States Design Patent** (10) **Patent No.:** **US D961,550 S**
Weiss et al. (45) **Date of Patent:** **** Aug. 23, 2022**

(54) **SOUND MACHINE**

FOREIGN PATENT DOCUMENTS

(71) Applicant: **Hatch Baby, Inc.**, Menlo Park, CA (US)

GB 6139181 * 5/2021

(72) Inventors: **Ann Crady Weiss**, Menlo Park, CA (US); **David Weiss**, Menlo Park, CA (US); **Martin Schnitzer**, Graz (AT); **Stuart Tyrrell**, Redwood City, CA (US)

OTHER PUBLICATIONS

[The Download: Hatch Rest Mini], announced in YouTube on Apr. 24, 2021 [online], [site visited Apr. 28, 2022], Available from the internet URL: <https://www.youtube.com/watch?v=OCps8Pei5NQ> (Year: 2021).*

(73) Assignee: **Hatch Baby, Inc.**, Palo Alto, CA (US)

* cited by examiner

(**) Term: **15 Years**

Primary Examiner — Khawaja Anwar

(21) Appl. No.: **29/763,431**

Assistant Examiner — Megan Tiana Rakos

(22) Filed: **Dec. 22, 2020**

(74) *Attorney, Agent, or Firm* — Levine Bagade Han LLP

(51) **LOC (13) Cl.** **14-01**

(52) **U.S. Cl.**
USPC **D14/216**

(57) **CLAIM**

(58) **Field of Classification Search**
USPC D7/629; D10/15, 22, 104.1, 106.1
CPC H02J 7/0042; H04R 1/00; H04R 1/02;
G10K 9/22

The ornamental design for a sound machine, as shown and described.

See application file for complete search history.

DESCRIPTION

(56) **References Cited**

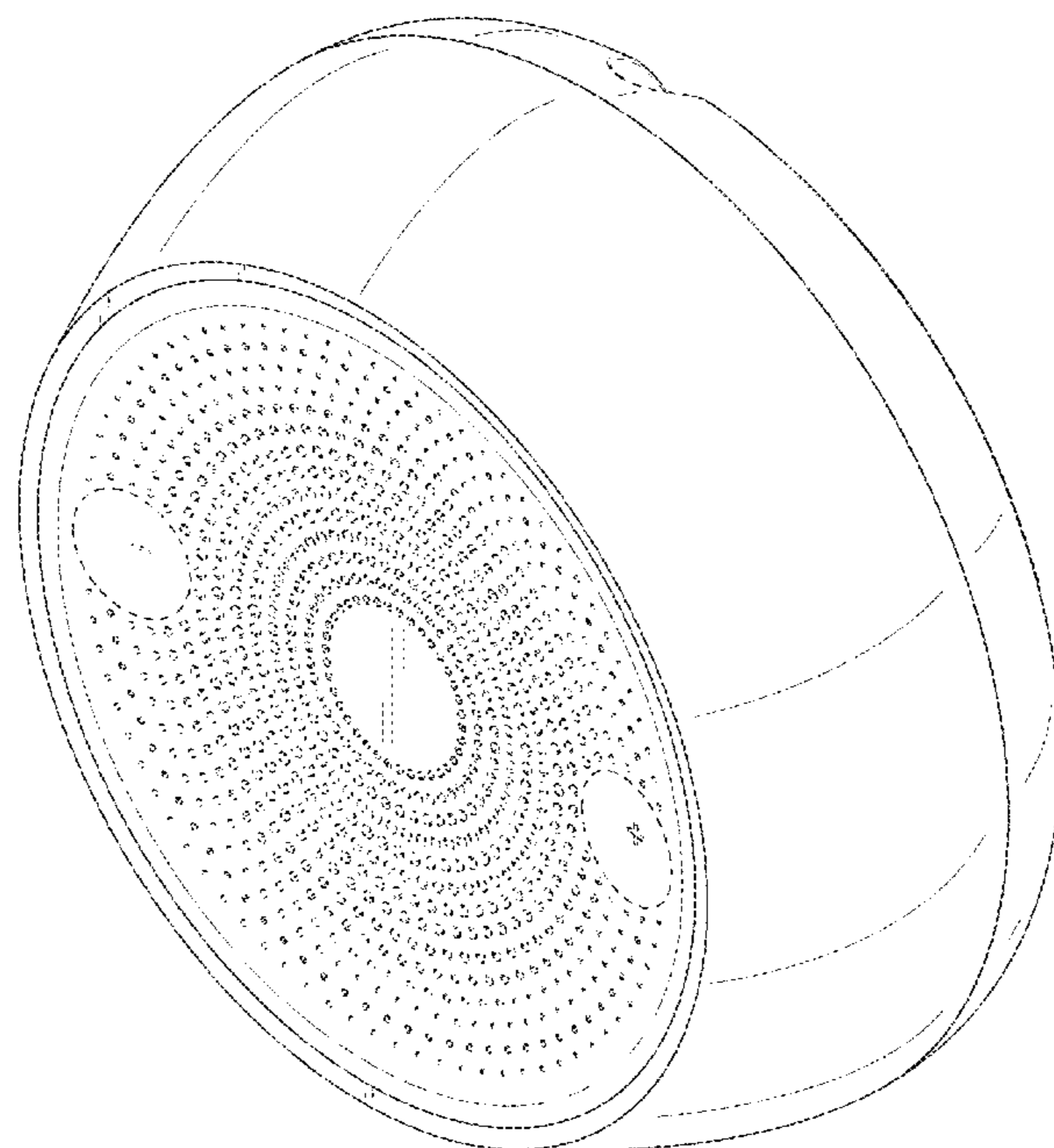
U.S. PATENT DOCUMENTS

D584,290 S *	1/2009	Lee	D14/216
D593,071 S *	5/2009	Laituri	D14/216
D828,332 S *	9/2018	Hu	D14/216
D848,398 S *	5/2019	Huang	D14/216
D860,026 S *	9/2019	Siminoff	D10/106.3
D868,031 S *	11/2019	Ryu	D14/216
D888,017 S *	6/2020	Yuan	D14/216
D888,688 S *	6/2020	Xie	D14/216
D920,538 S *	5/2021	Zhang	D24/231
D931,834 S *	9/2021	Han	D14/216
D948,966 S *	4/2022	Chen	D7/630

FIG. 1 is a perspective view of a sound machine;
FIG. 2 is a front view of the sound machine of FIG. 1;
FIG. 3 is a rear view of the sound machine of FIG. 1;
FIG. 4 is a right side view of the sound machine of FIG. 1;
FIG. 5 is a left side view of the sound machine of FIG. 1;
FIG. 6 is a top plan view of the sound machine of FIG. 1;
and,
FIG. 7 is a bottom plan view of the sound machine of FIG. 1.

The broken lines in the drawings depict portions of the sound machine that form no part of the claim design.

1 Claim, 5 Drawing Sheets



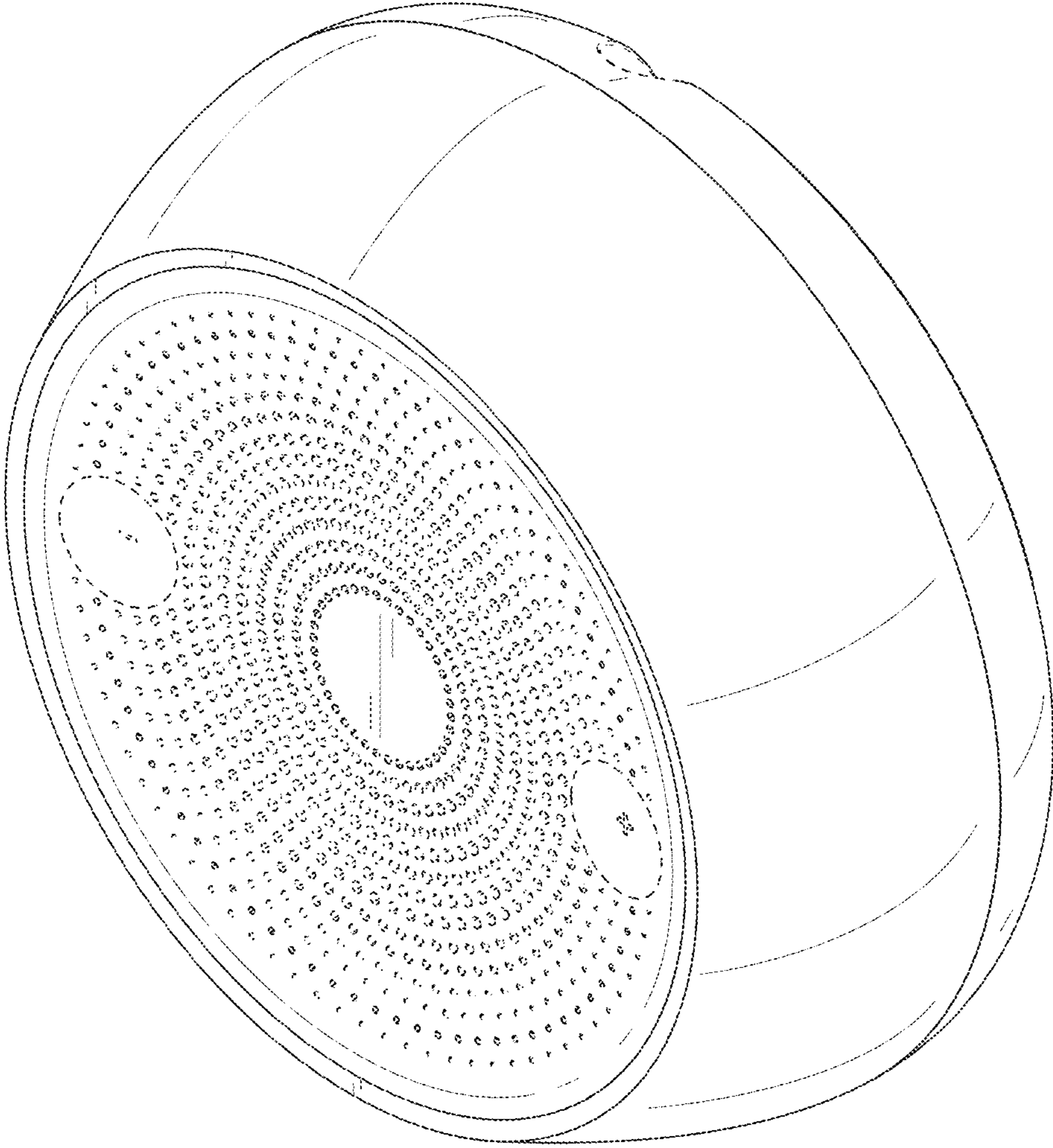


FIG. 1

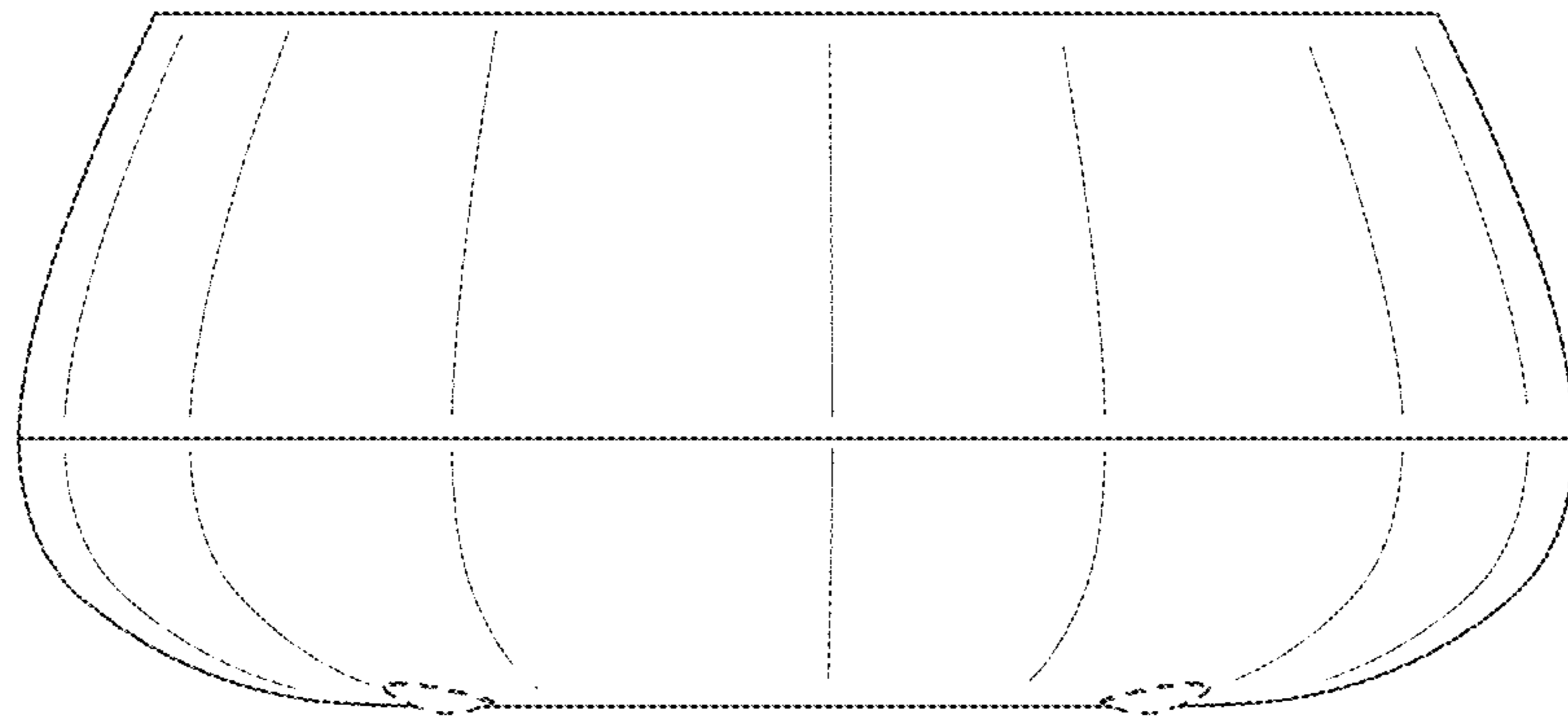


FIG. 2

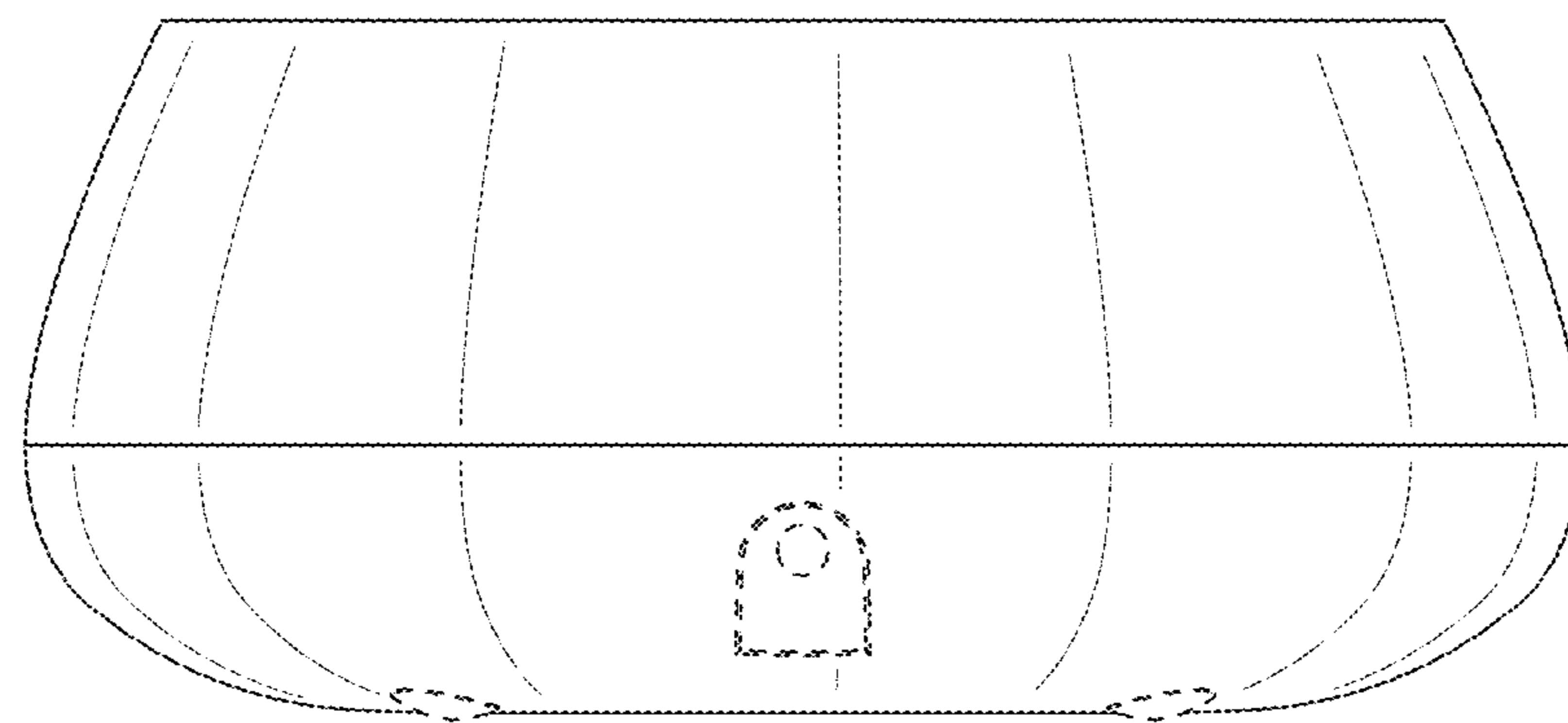


FIG. 3

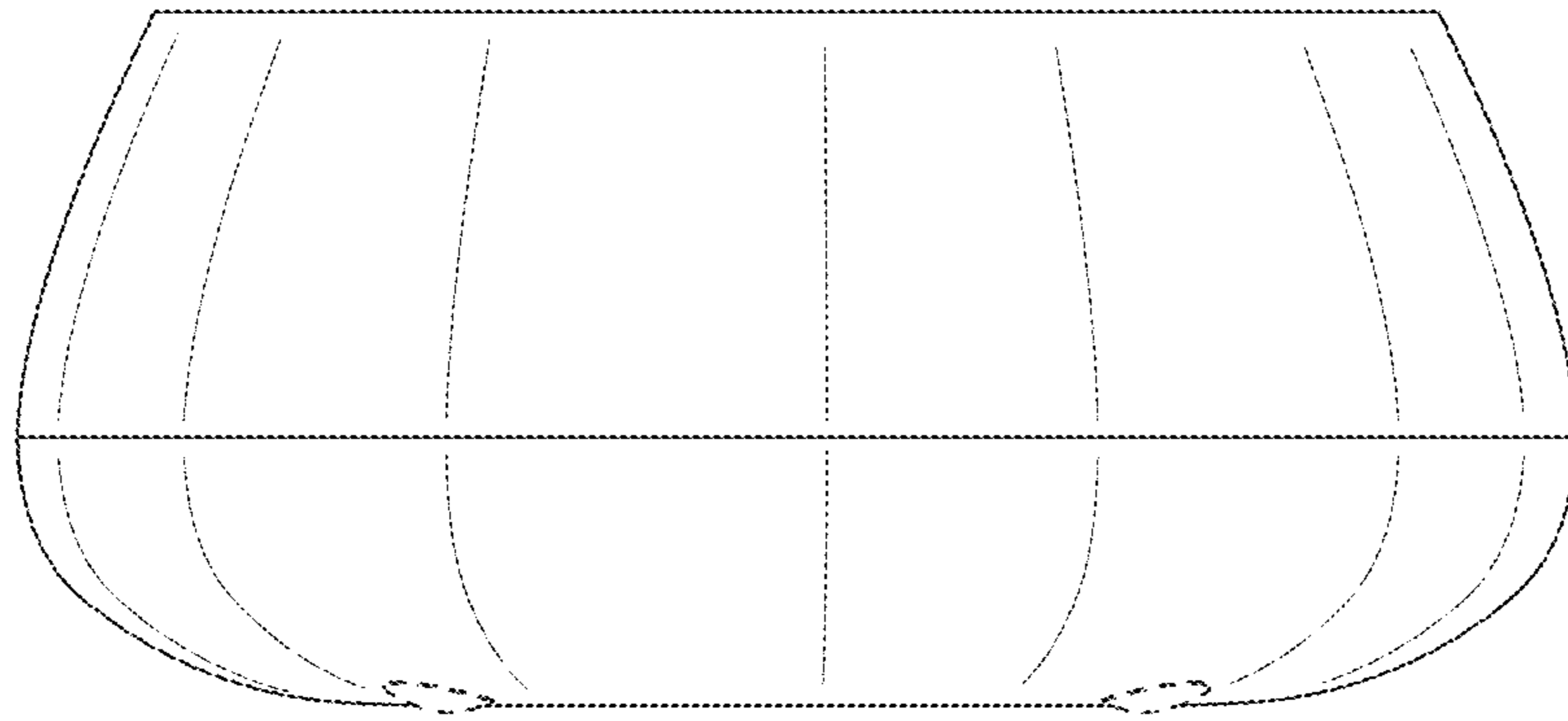


FIG. 4

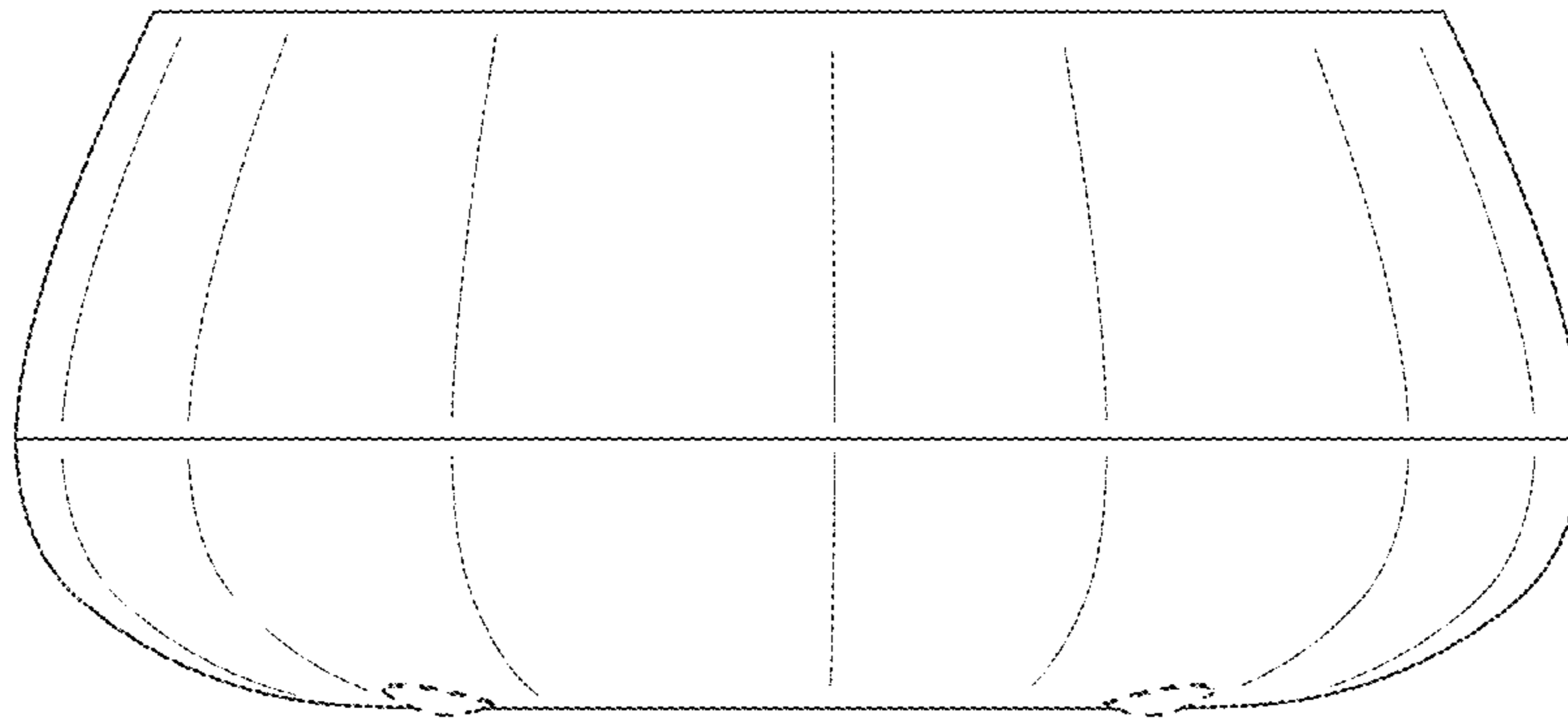


FIG. 5

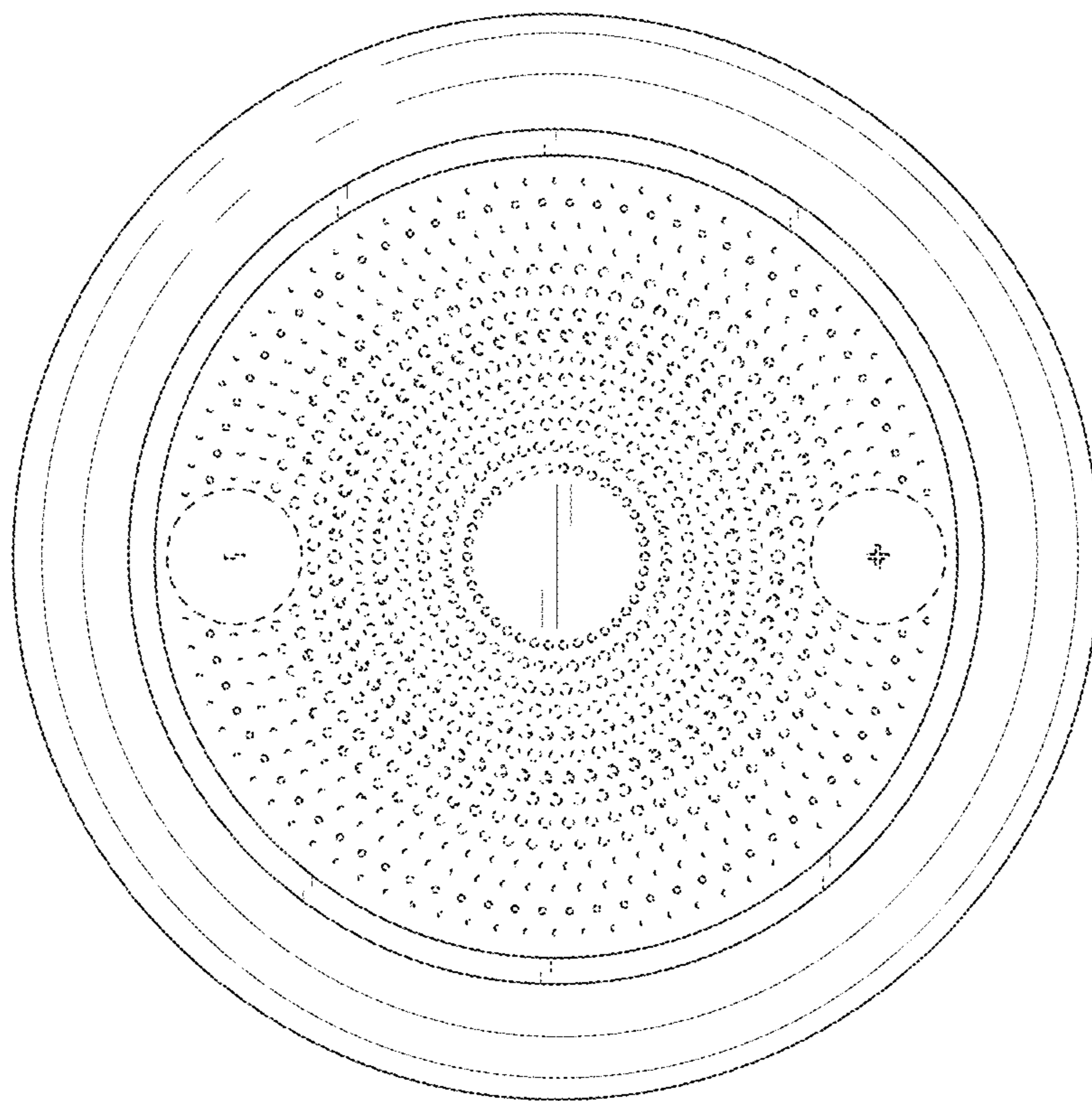


FIG. 6

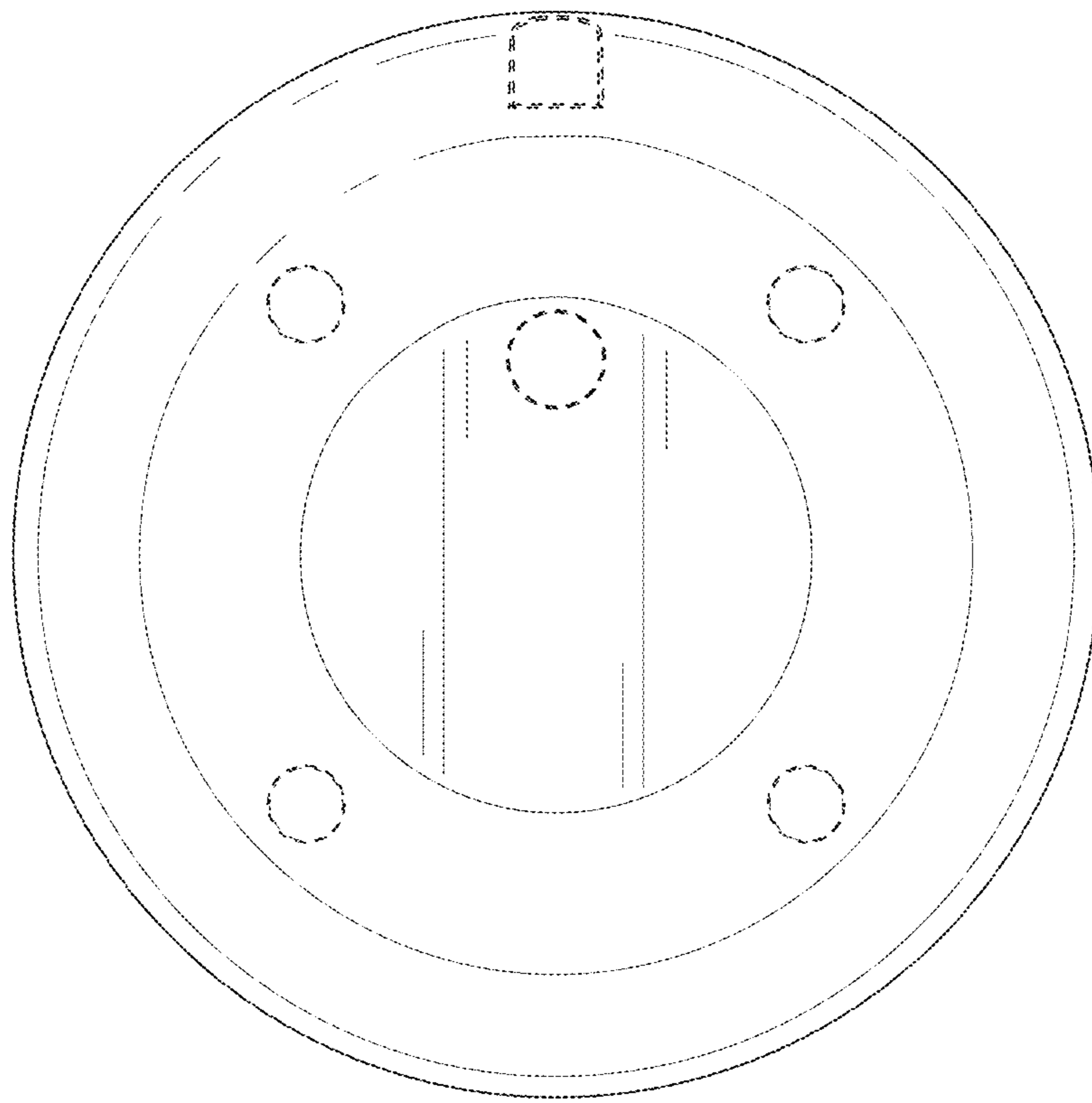


FIG. 7