



US00D961549S

(12) **United States Design Patent**
Wang et al.

(10) **Patent No.:** **US D961,549 S**
(45) **Date of Patent:** **** Aug. 23, 2022**

(54) **COMMUNICATIONS HEADSET**

(71) Applicant: **Plantronics, Inc.**, Santa Cruz, CA (US)

(72) Inventors: **Bowman Wang**, Ben Lomond, CA (US); **Joseph W. Yang**, Santa Cruz, CA (US); **Nicholas W. Paterson**, Aptos, CA (US); **John A. Kelley**, Santa Cruz, CA (US)

(73) Assignee: **Plantronics, Inc.**, Santa Cruz, CA (US)

(**) Term: **15 Years**

(21) Appl. No.: **29/734,291**

(22) Filed: **May 11, 2020**

(51) **LOC (13) Cl.** **14-01**

(52) **U.S. Cl.**
USPC **D14/216; D14/205**

(58) **Field of Classification Search**
USPC D14/192, 204, 206, 216, 223, 226;
D29/112

(Continued)

(56) **References Cited**

U.S. PATENT DOCUMENTS

D691,579 S * 10/2013 Lee D14/205
D765,056 S * 8/2016 Yang D14/205

(Continued)

OTHER PUBLICATIONS

[Plantronics (Poly) Blackwire 8225 Premium Wired UC Headset (USB-A)], available in Amazon.com, date first available Jun. 17, 2020 [online], [site visited date], Available from the internet URL: https://www.amazon.com/Plantronics-Blackwire-Premium-Headset-Advisor/dp/B08BFC8NKB/ref=sr_1_3_mod_primary_new (Year: 2020).*

(Continued)

Primary Examiner — Khawaja Anwar
Assistant Examiner — Megan Tiana Rakos

(74) *Attorney, Agent, or Firm* — Ferguson Braswell
Fraser Kubasta PC

(57) **CLAIM**

The ornamental design for a communications headset, as shown and described.

DESCRIPTION

FIG. 1 is a first side perspective view of the communications headset according to a first embodiment.

FIG. 2 is a second side perspective view of the communications headset according to a first embodiment.

FIG. 3 is a third side view of the communications headset according to a first embodiment.

FIG. 4 is a fourth side view of the communications headset according to a first embodiment.

FIG. 5 is a second side view of the communications headset according to a first embodiment.

FIG. 6 is a first side view of the communications headset according to a first embodiment.

FIG. 7 is a top down view of the communications headset according to a first embodiment.

FIG. 8 is a bottom up view of the communications headset according to a first embodiment.

FIG. 9 is a first side perspective view of the communications headset according to a second embodiment.

FIG. 10 is a second side perspective view of the communications headset according to a second embodiment.

FIG. 11 is a third side view of the communications headset according to a second embodiment.

FIG. 12 is a fourth side view of the communications headset according to a second embodiment.

FIG. 13 is a second side view of the communications headset according to a second embodiment.

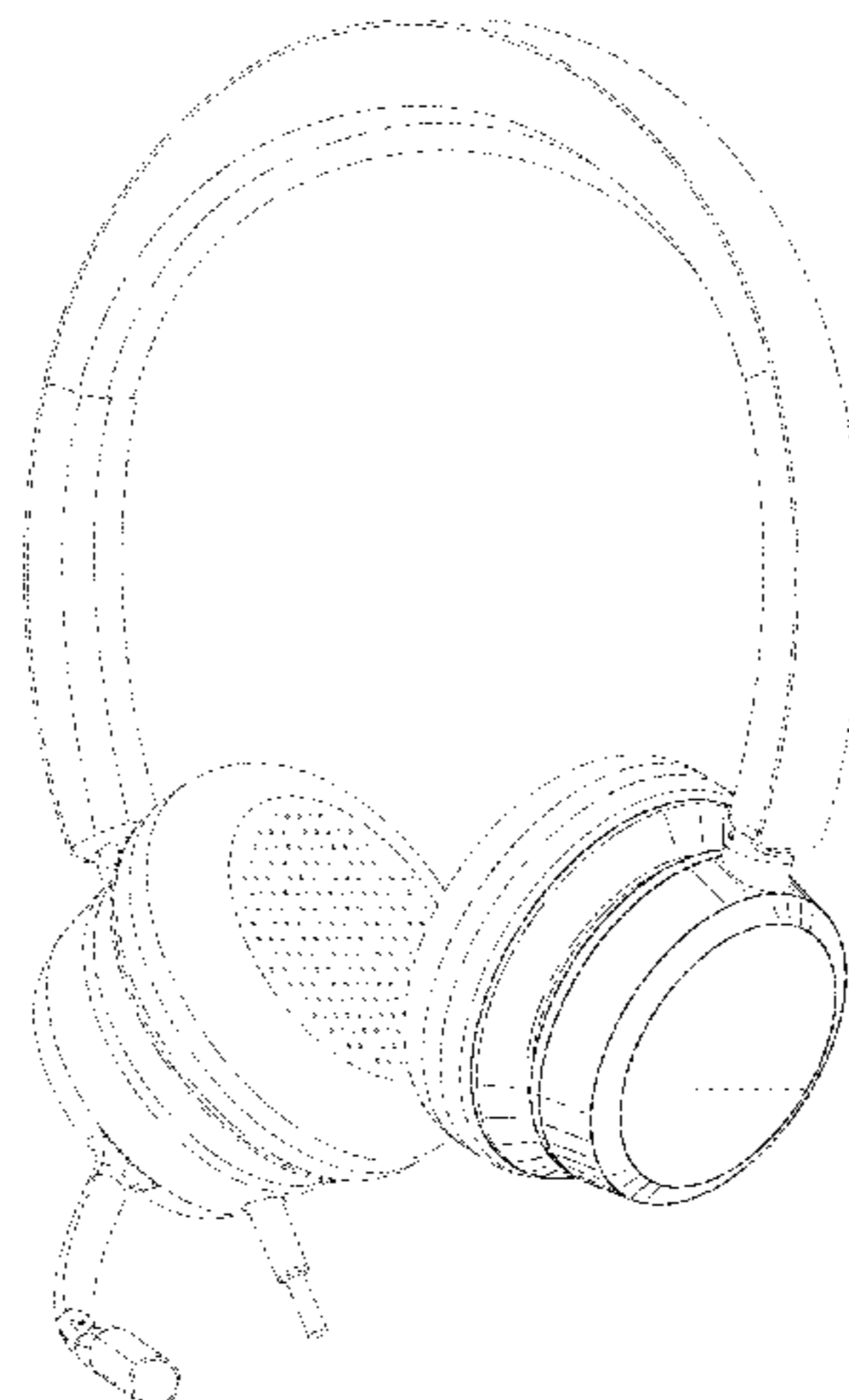
FIG. 14 is a first side view of the communications headset according to a second embodiment.

FIG. 15 is a top down view of the communications headset according to a second embodiment; and,

FIG. 16 is a bottom up view of the communications headset according to a second embodiment.

The broken lines showing the ear cushions, holes, wires, microphone and microphone boom, headband, first side of communications headset in the first embodiment, and sec-

(Continued)



ond side in the second embodiment are for the purpose of illustrating portions of the article and form no part of the claimed design.

The thin, black lines show contour of the surfaces or curved edges of the communications headset, and are not shading or actual lines on the communications headset.

1 Claim, 16 Drawing Sheets

(58) Field of Classification Search

CPC H04R 1/105; H04R 1/1066; H04R 1/1016;
H04R 1/10; H04R 5/0335; H04R 5/033;
H04R 1/1008; H04R 2460/05

See application file for complete search history.

(56) References Cited

U.S. PATENT DOCUMENTS

D830,333 S * 10/2018 Carr D14/205
D830,334 S * 10/2018 Carr D14/205

D875,068 S * 2/2020 Nagamine D14/205
D885,364 S * 5/2020 Paterson D14/206
D886,759 S * 6/2020 Bailey D14/149
D927,451 S * 8/2021 Paterson D14/206
D927,452 S * 8/2021 Paterson D14/205
D927,455 S * 8/2021 Yang D14/206
D940,686 S * 1/2022 Yang D14/206
D947,153 S * 3/2022 He D14/206
2016/0277828 A1* 9/2016 Oh H04R 1/105

OTHER PUBLICATIONS

[Review—Poly Blackwire 8225 Dual Speakers with ANC!], announced in YouTube on Dec. 2, 2020 [online], [site visited Apr. 15, 2022], Available from the internet URL: <https://www.youtube.com/watch?v=JCgkRfjOlg> (Year: 2020).*

Design U.S. Appl. No. 29/705,717, filed Sep. 13, 2019 (18 pages).
Design U.S. Appl. No. 29/710,017, filed Oct. 18, 2019 (20 pages).
Poly: Data Sheet, Poly Blackwire Series; Plantronics, Nov. 2019 (2 pages).

Poly Newsroom—Poly Introduces the Next Generation of Savi Wireless Headsets, Sep. 18, 2019 (4 pages).

* cited by examiner



FIG. 1



FIG. 2

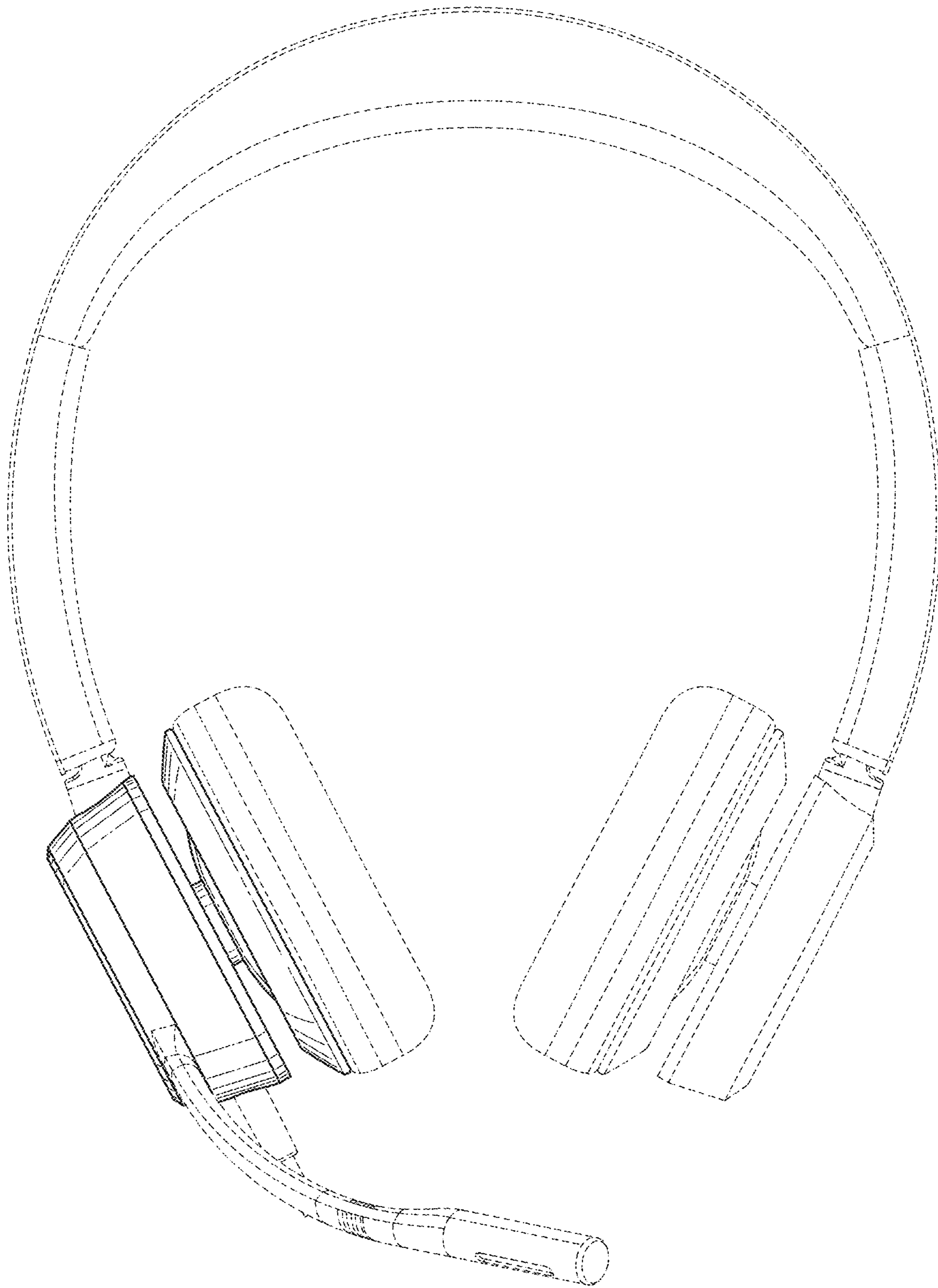


FIG. 3

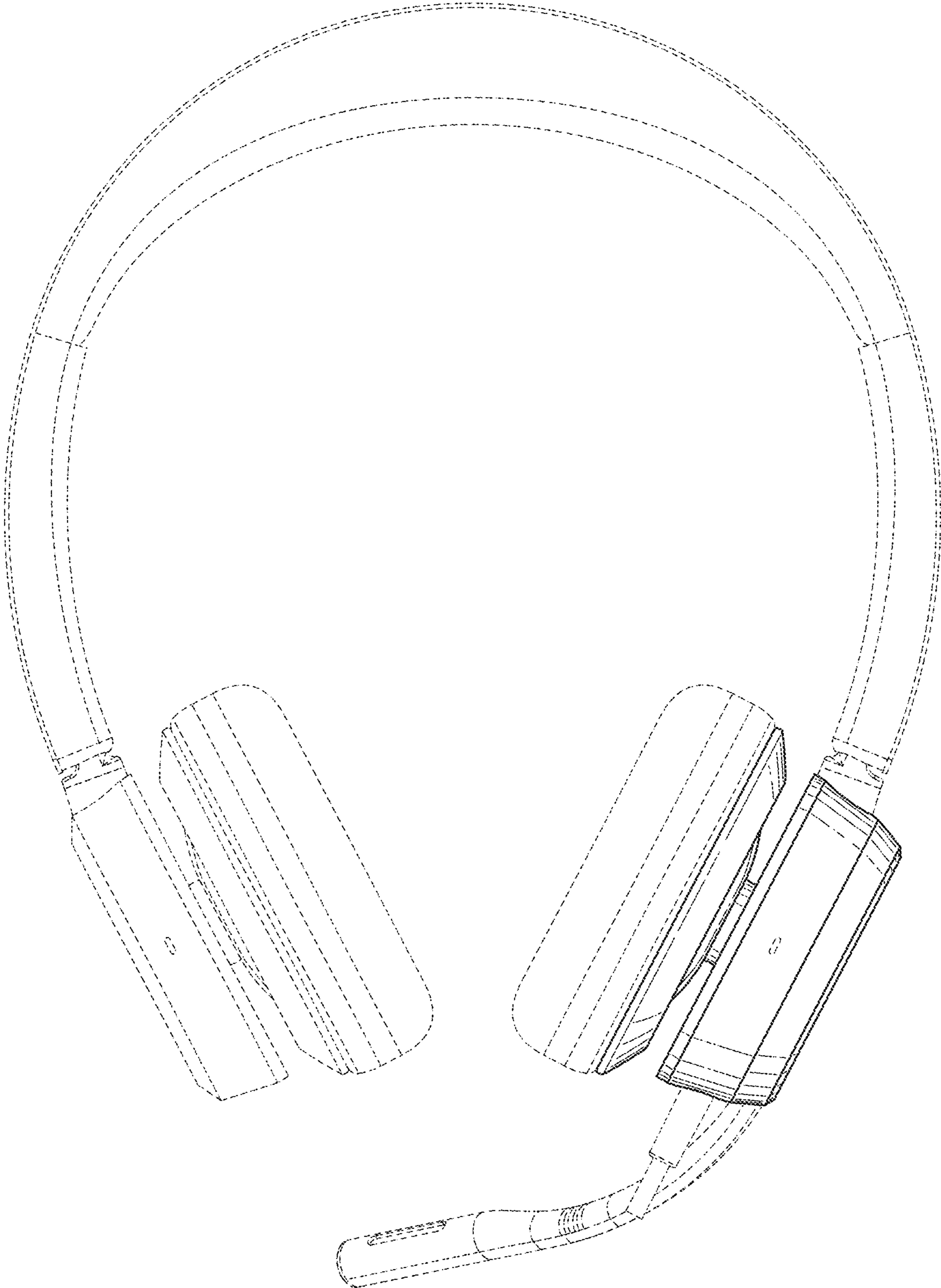


FIG. 4

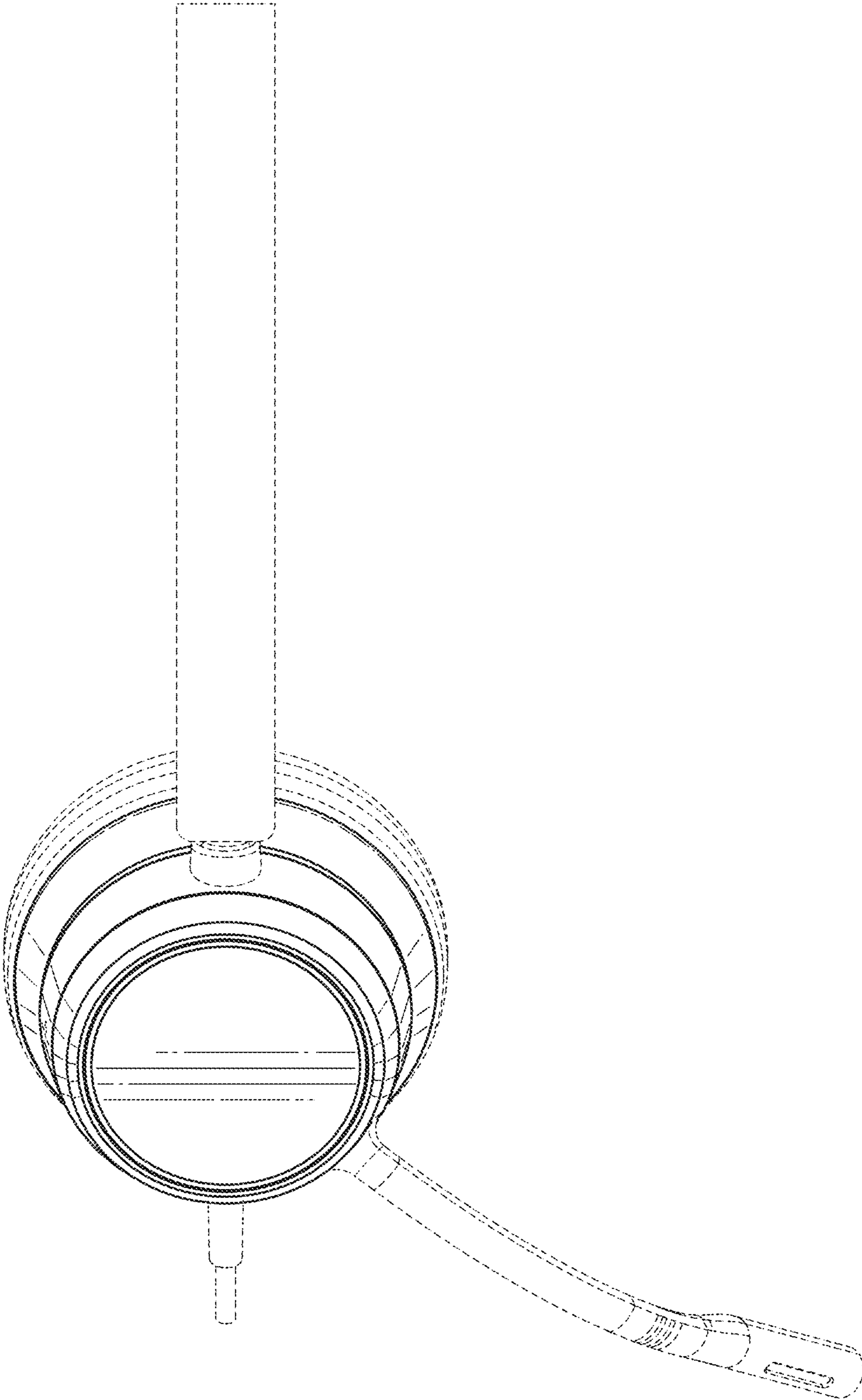


FIG. 5

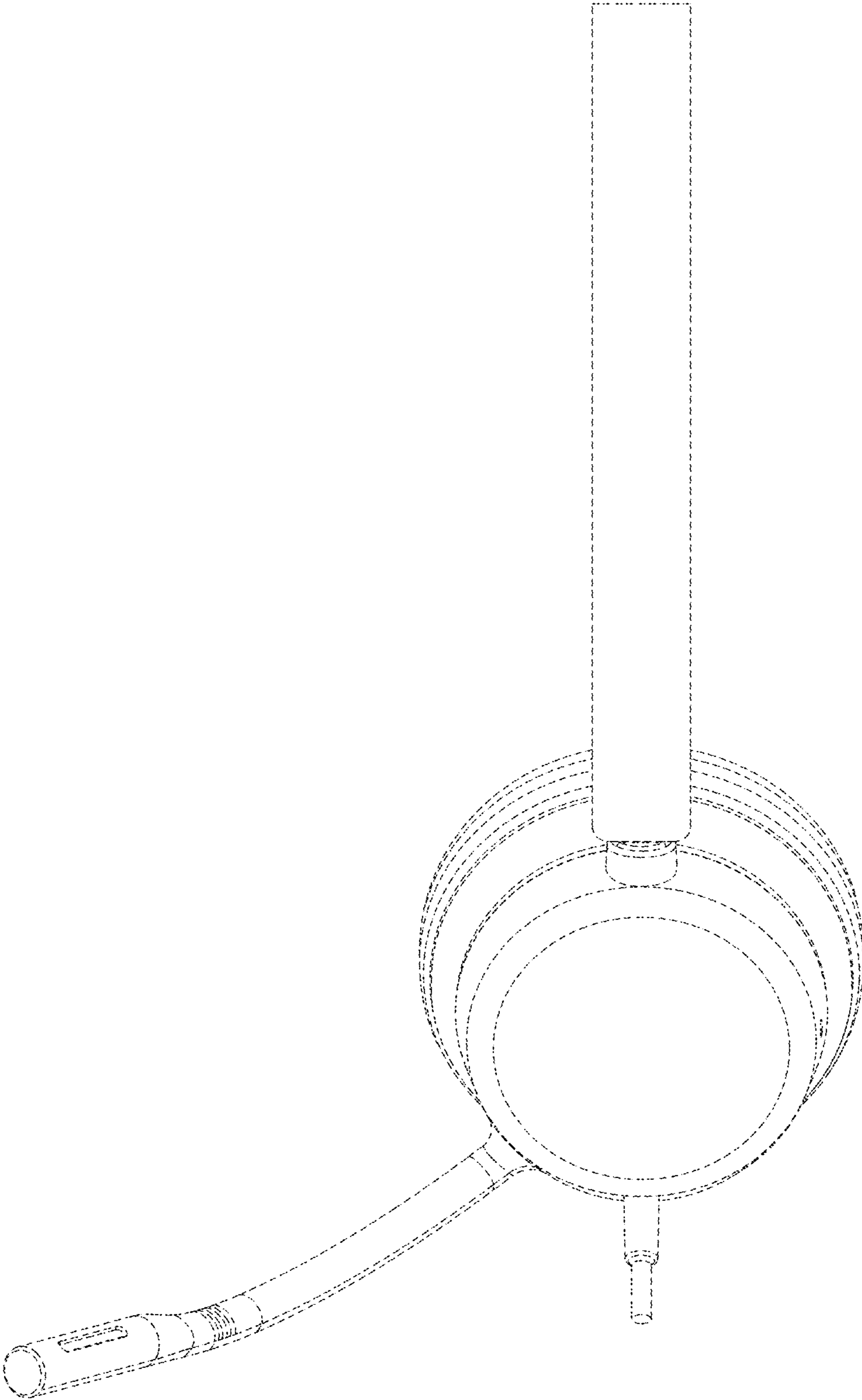


FIG. 6

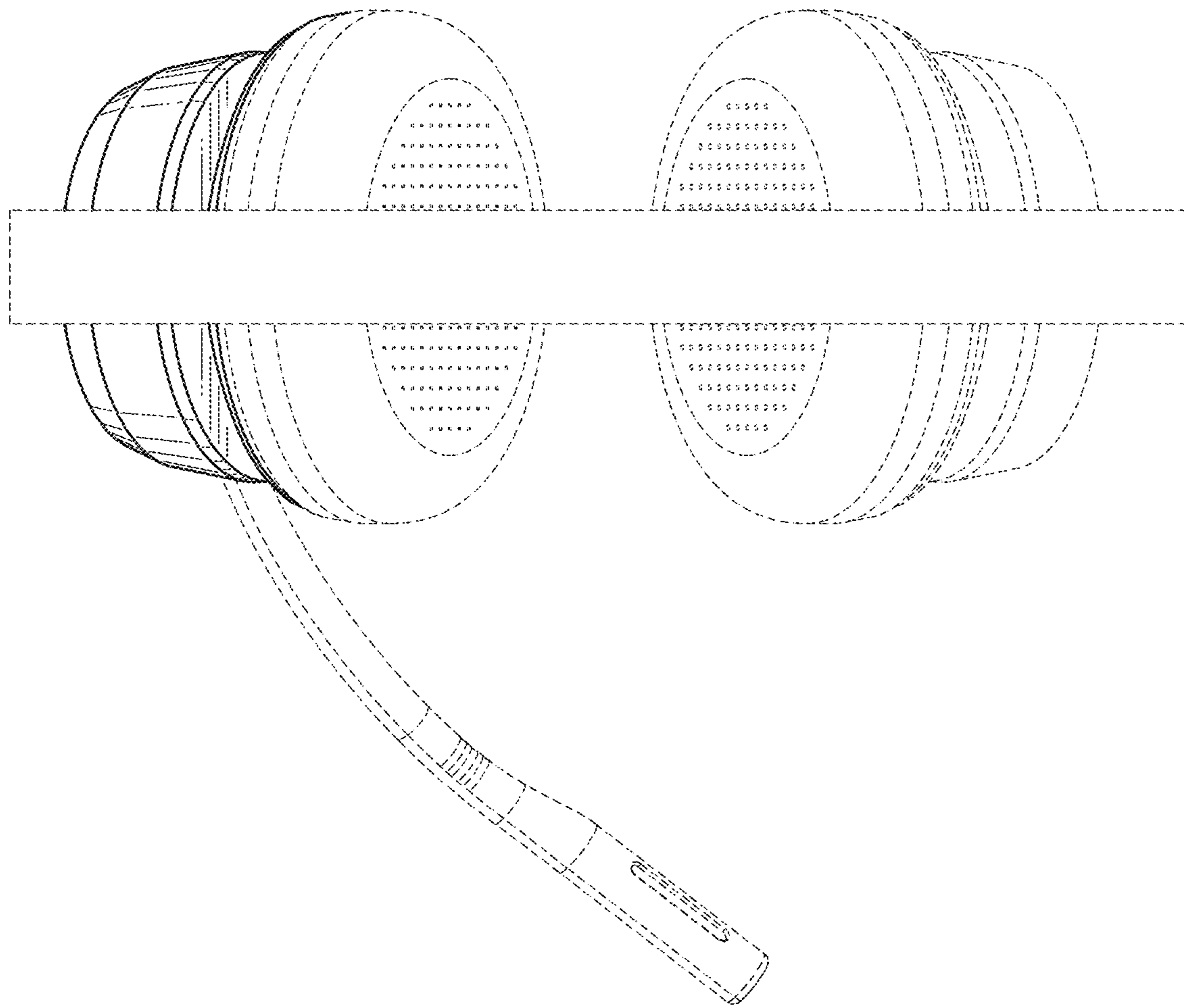


FIG. 7

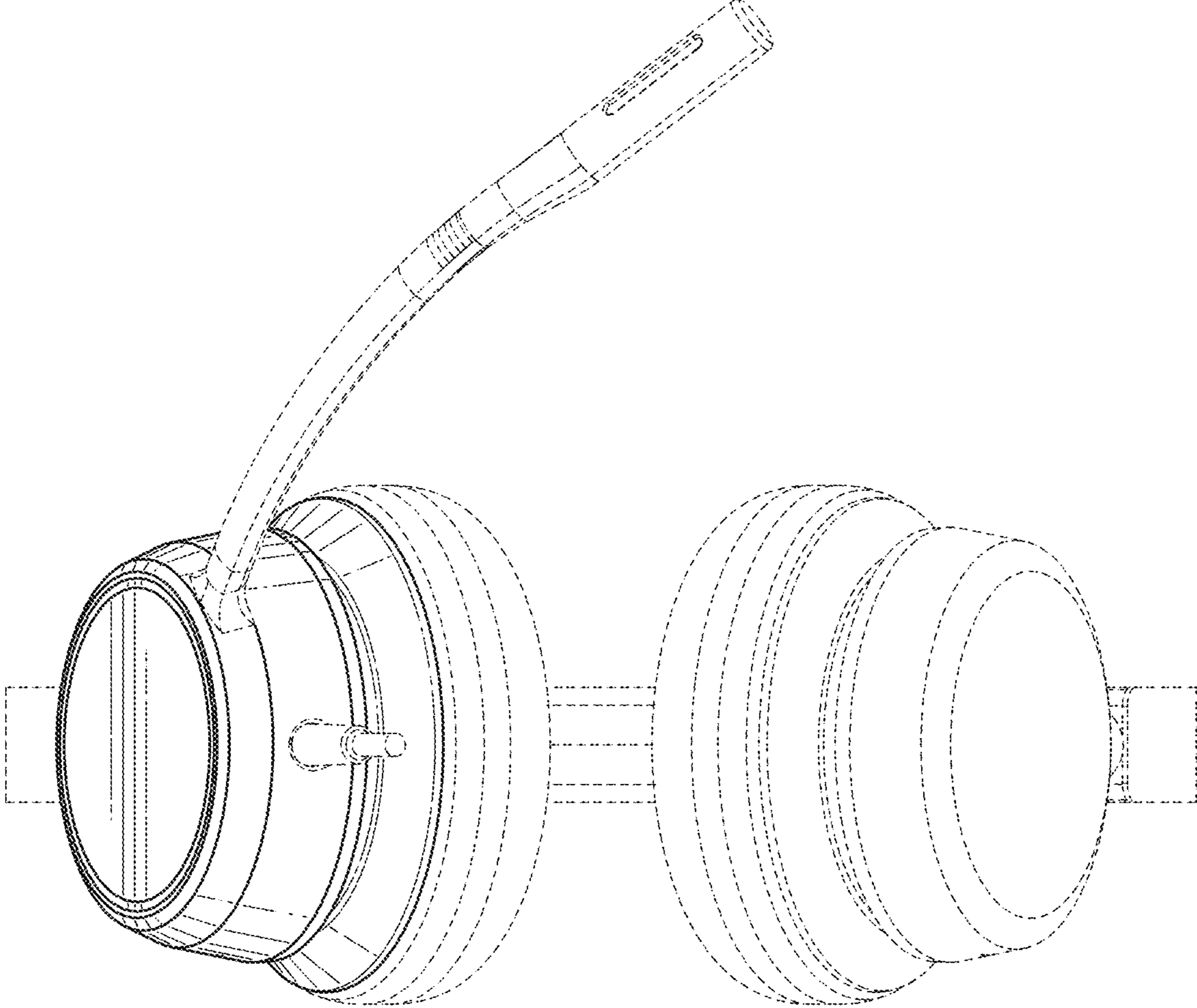


FIG. 8



FIG. 9

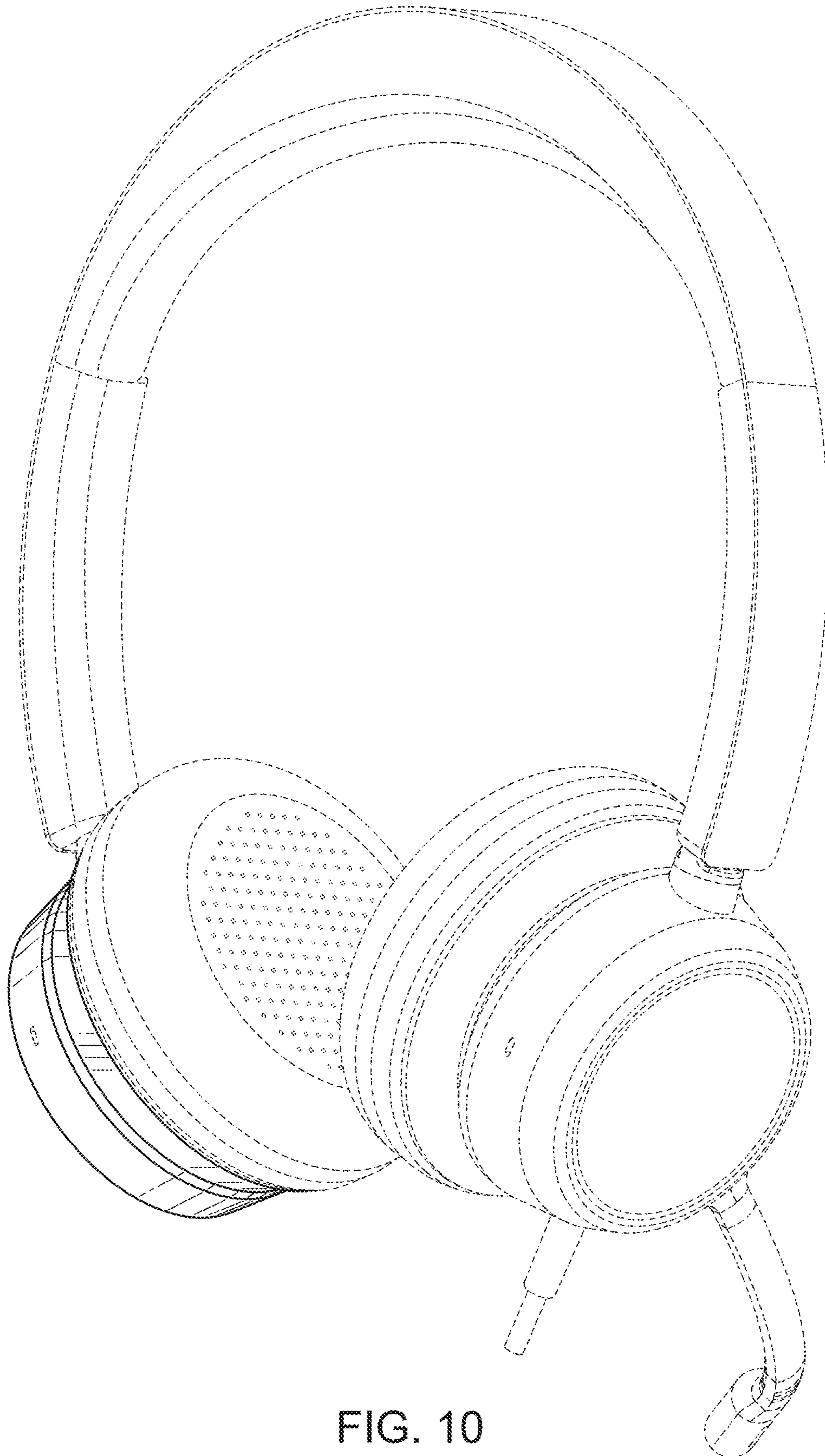


FIG. 10

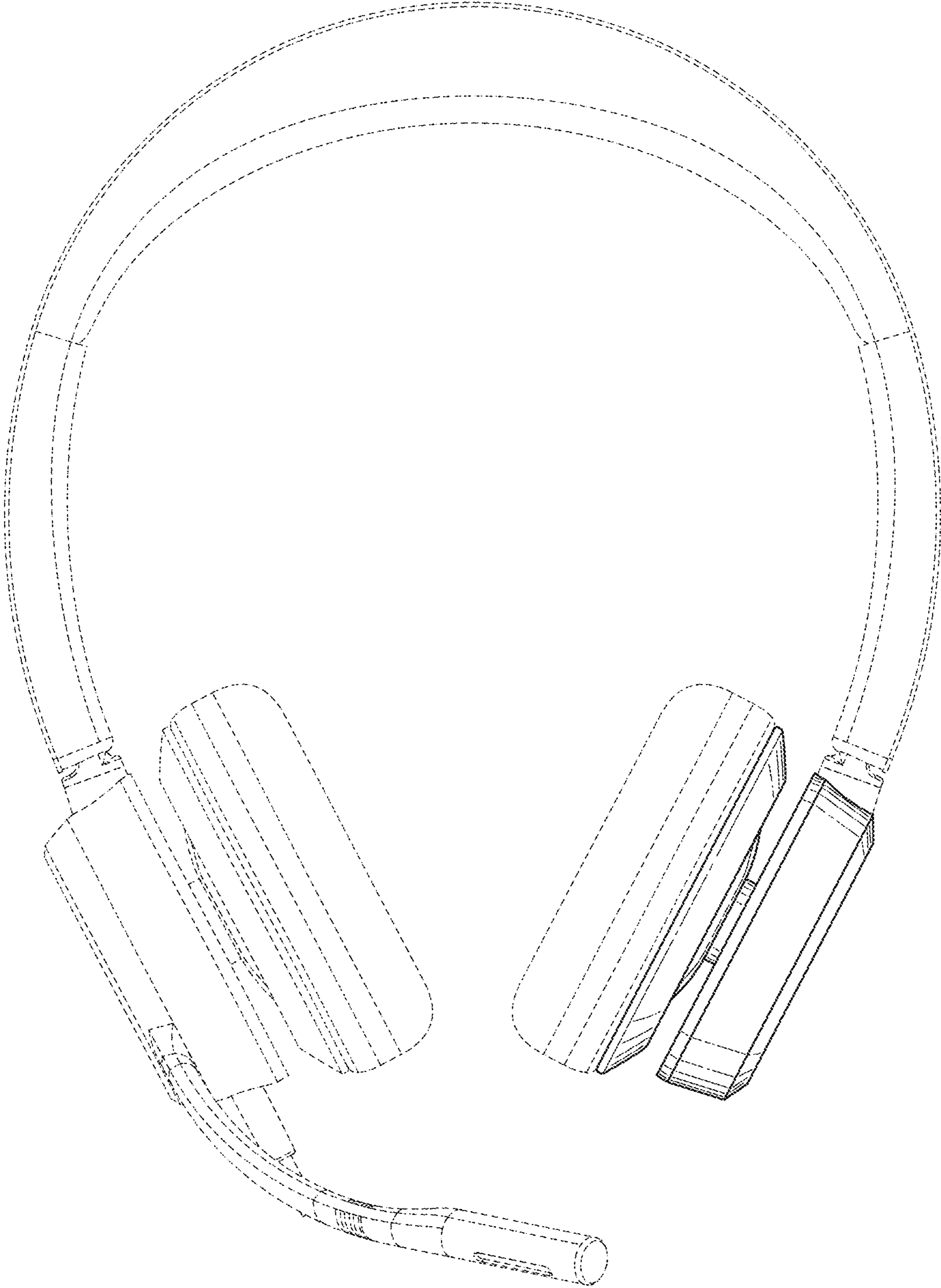


FIG. 11

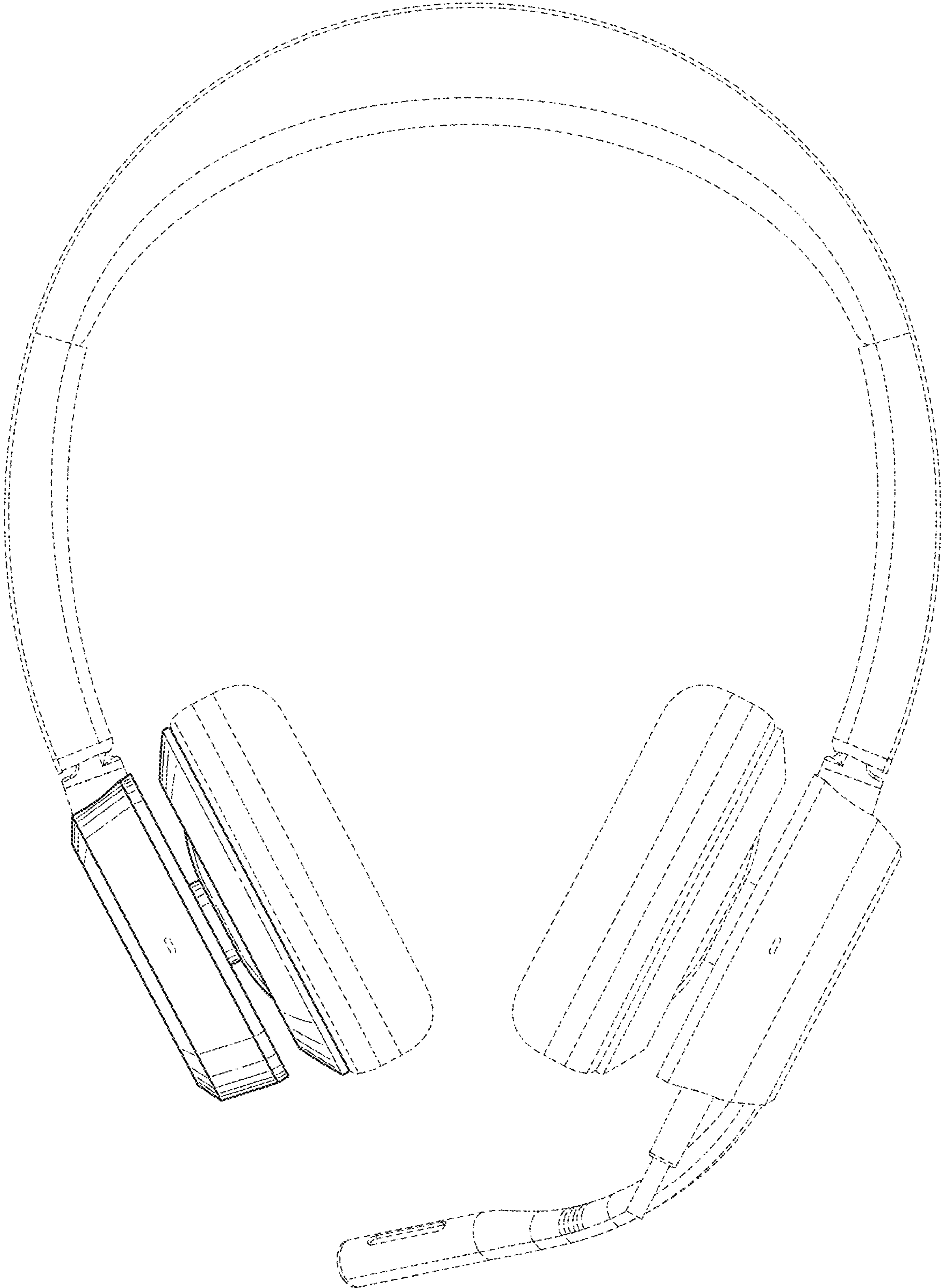


FIG. 12

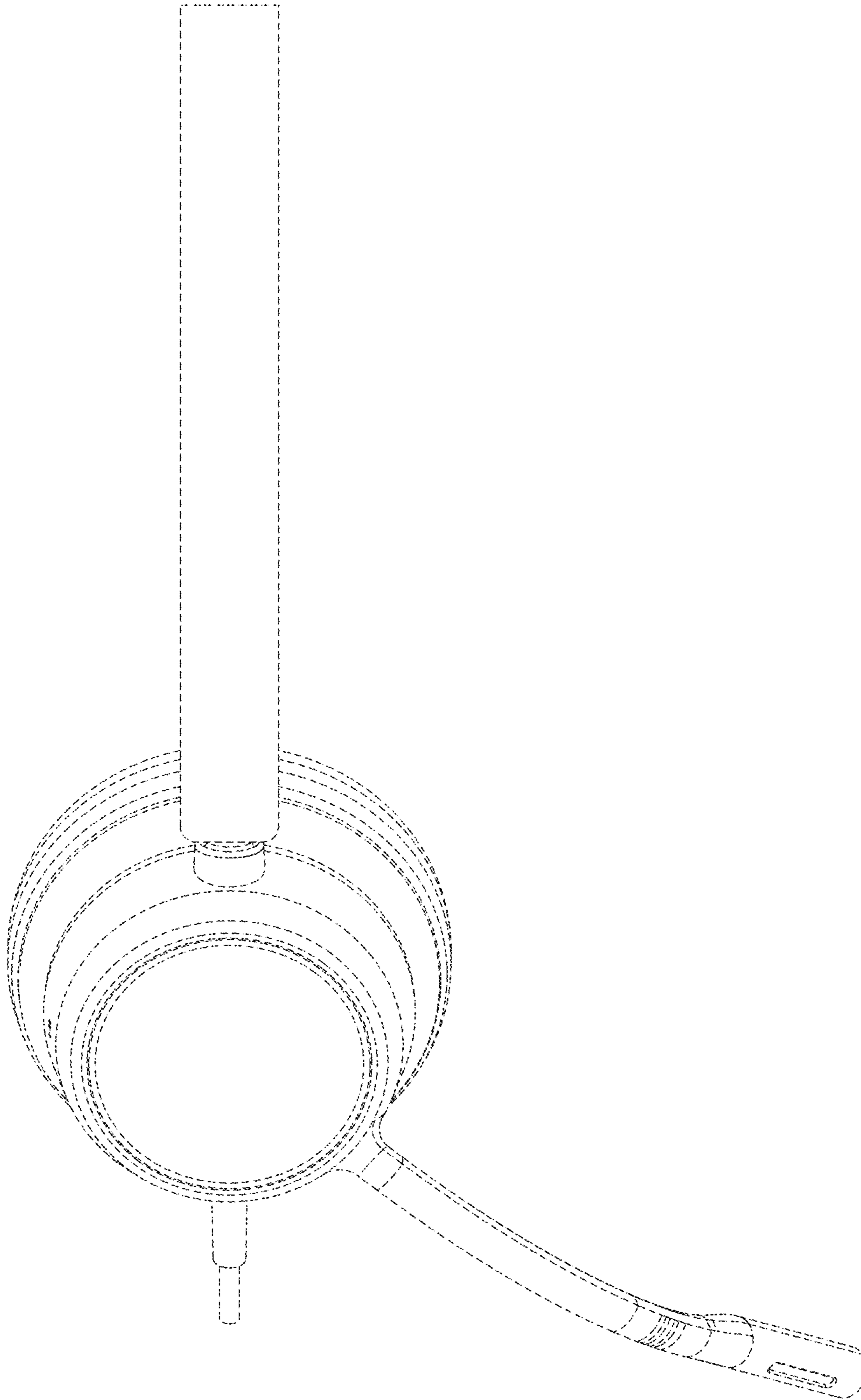


FIG. 13

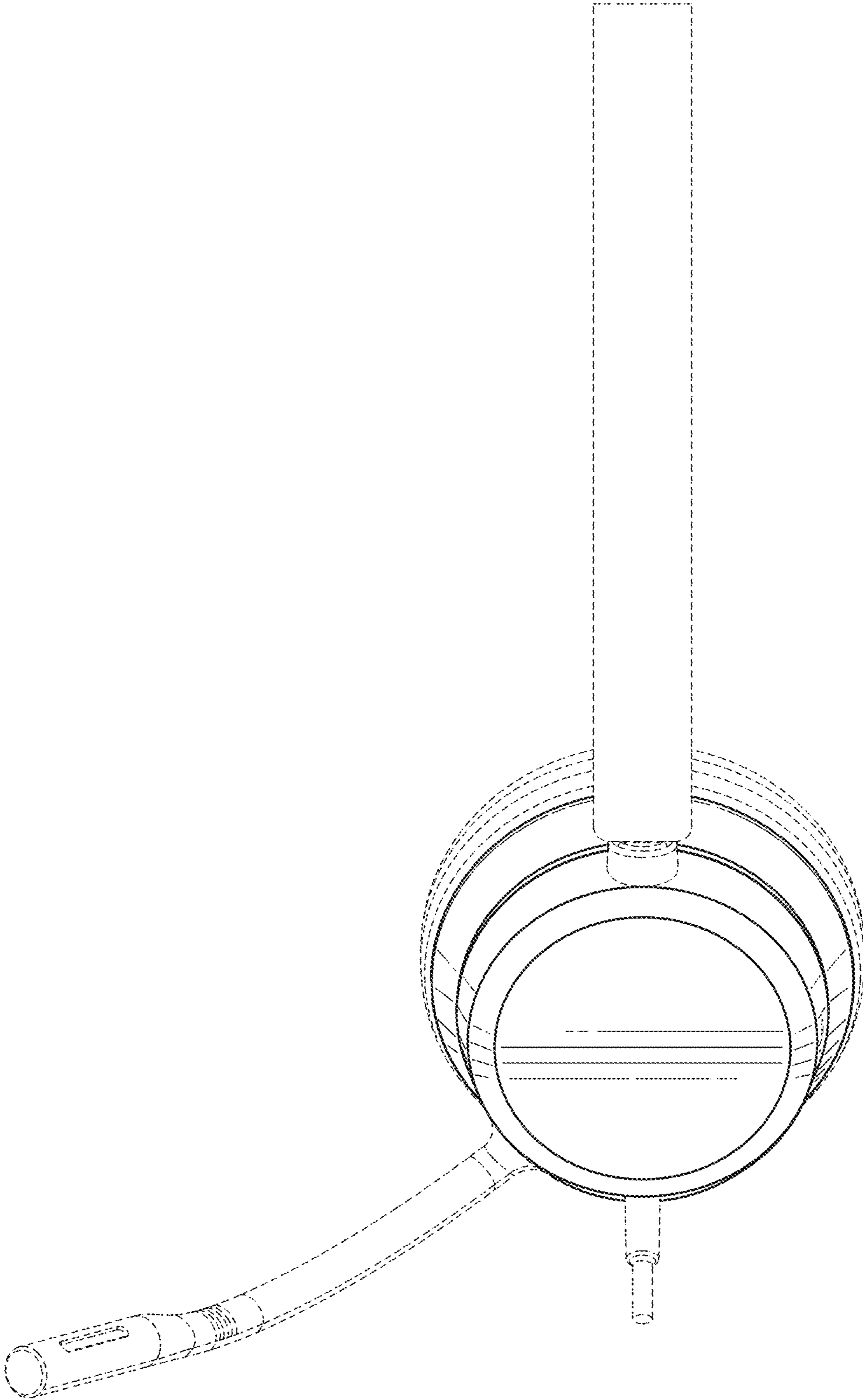


FIG. 14

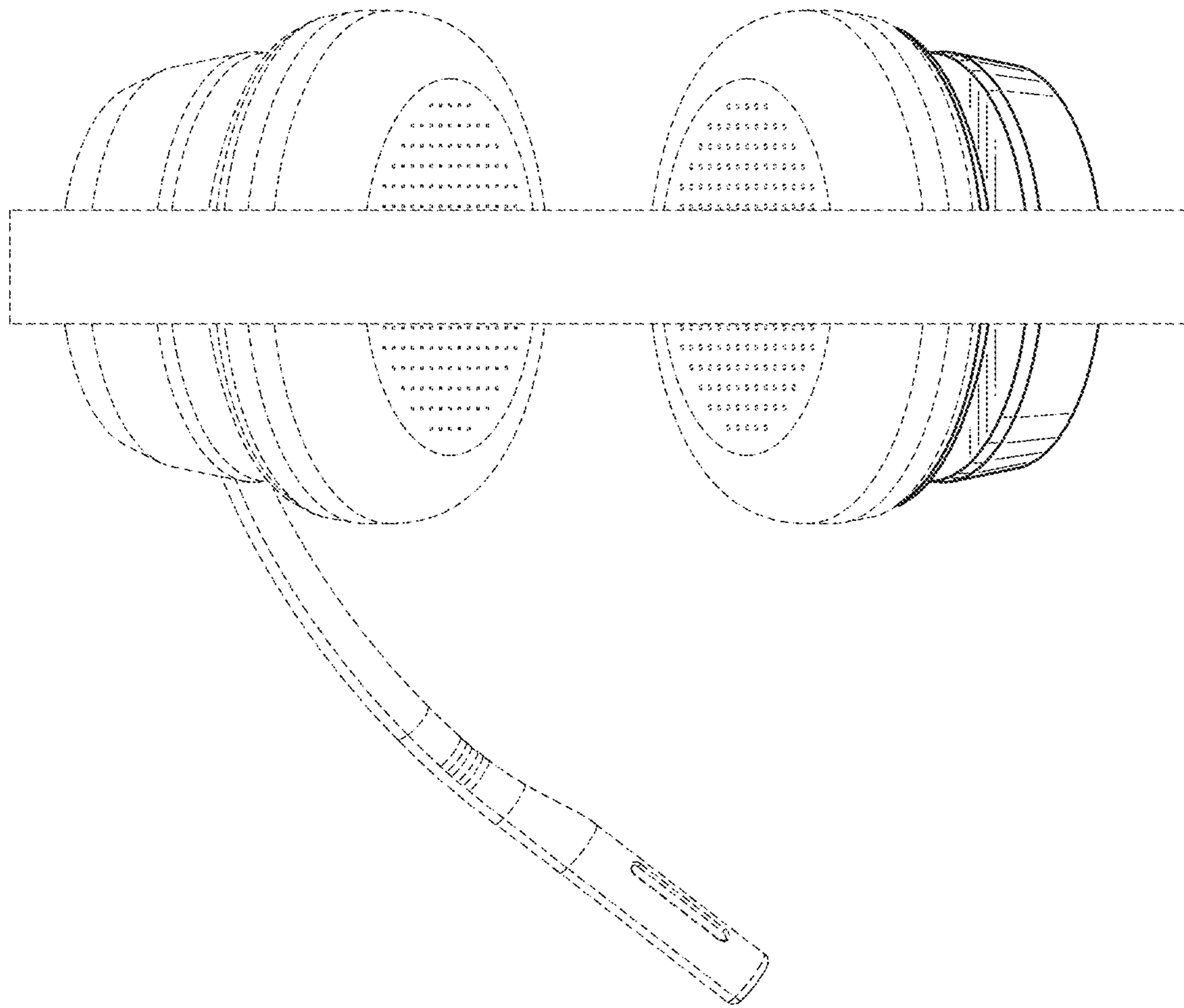


FIG. 15

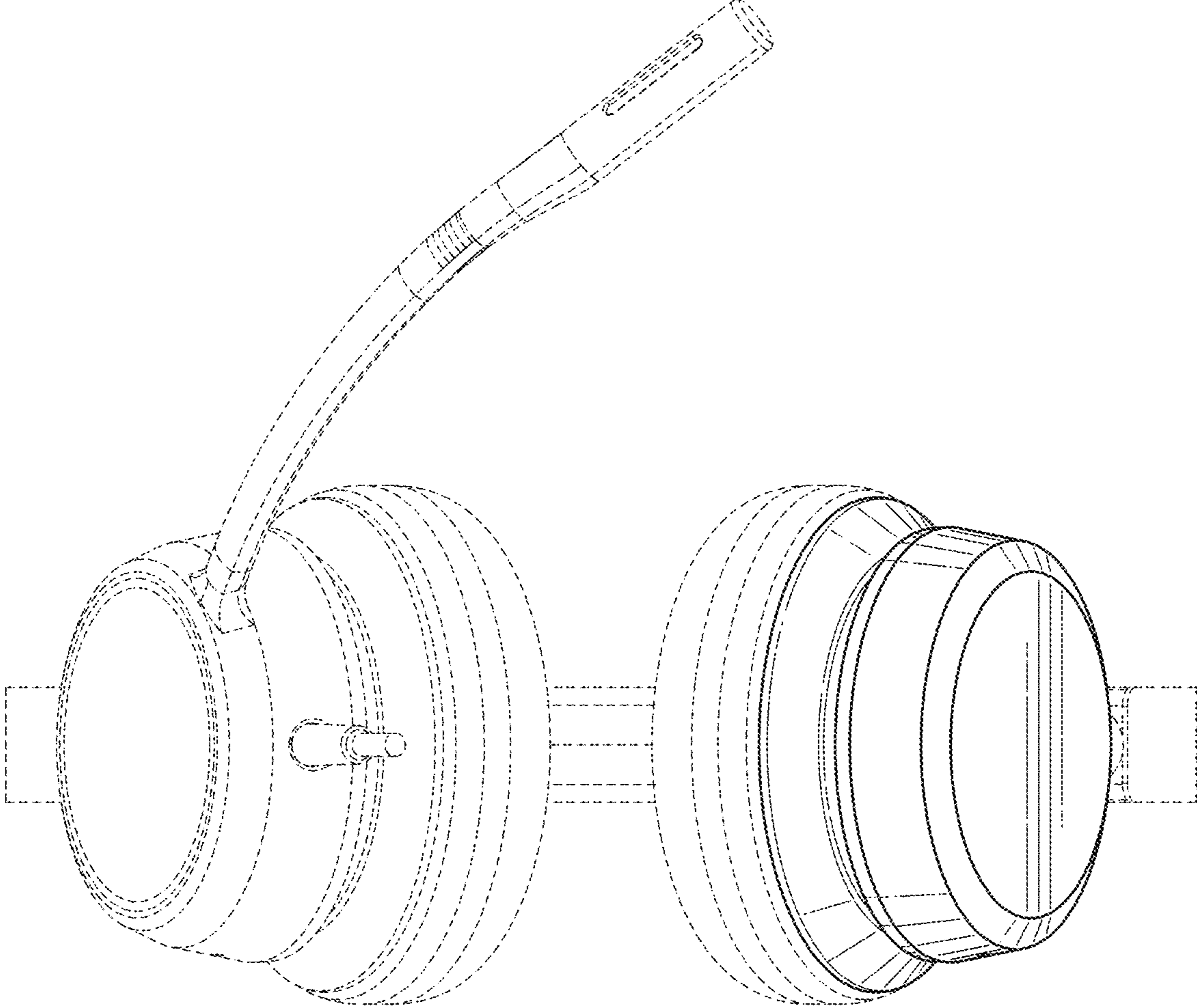


FIG. 16