



US00D961548S

(12) **United States Design Patent**
Yang

(10) **Patent No.:** **US D961,548 S**

(45) **Date of Patent:** **** Aug. 23, 2022**

(54) **HEADPHONE**

(71) Applicant: **Shenzhen Riyo Innovation Technology Co., Ltd.**, Shenzhen (CN)

(72) Inventor: **Sha Yang**, Shenzhen (CN)

(**) Term: **15 Years**

(21) Appl. No.: **29/802,991**

(22) Filed: **Aug. 10, 2021**

(51) **LOC (13) Cl.** **14-01**

(52) **U.S. Cl.**
USPC **D14/206; D14/226**

(58) **Field of Classification Search**
USPC D14/206, 226, 188, 192, 198, 203.1,
D14/203.7; D29/112; 2/209; 362/105;
381/380-381, 370-371
CPC H04R 25/00; H04R 1/1066; H04R 1/1016;
H04R 5/033; H04R 5/0335; H04R
1/1058; H04R 1/08; H04R 1/1091; H04R
19/04; H04R 11/06; H04R 1/1008; H04R
25/02; F21V 33/0056
See application file for complete search history.

(56) **References Cited**

U.S. PATENT DOCUMENTS

5,166,984	A *	11/1992	Hsiao	H04R 1/22 381/397
5,551,090	A *	9/1996	Thompson	A61F 11/14 181/129
5,793,878	A *	8/1998	Chang	H04R 5/0335 D14/206
6,118,878	A *	9/2000	Jones	G10K 11/17881 381/94.1
6,392,196	B1 *	5/2002	Lin	H05B 3/34 219/535
6,560,346	B2 *	5/2003	Ohta	H04R 1/083 381/370
D517,528	S *	3/2006	Skulley	D14/206
D518,479	S *	4/2006	Skulley	D14/225

D535,285	S *	1/2007	Skulley	D14/205
D540,303	S *	4/2007	Rausch	D14/205
D541,256	S *	4/2007	Rausch	D14/205
7,388,960	B2 *	6/2008	Kuo	H04R 5/02 381/384

(Continued)

FOREIGN PATENT DOCUMENTS

CN	305988967	*	8/2020
CN	306128872	*	10/2020

(Continued)

Primary Examiner — Paula Allen Greene

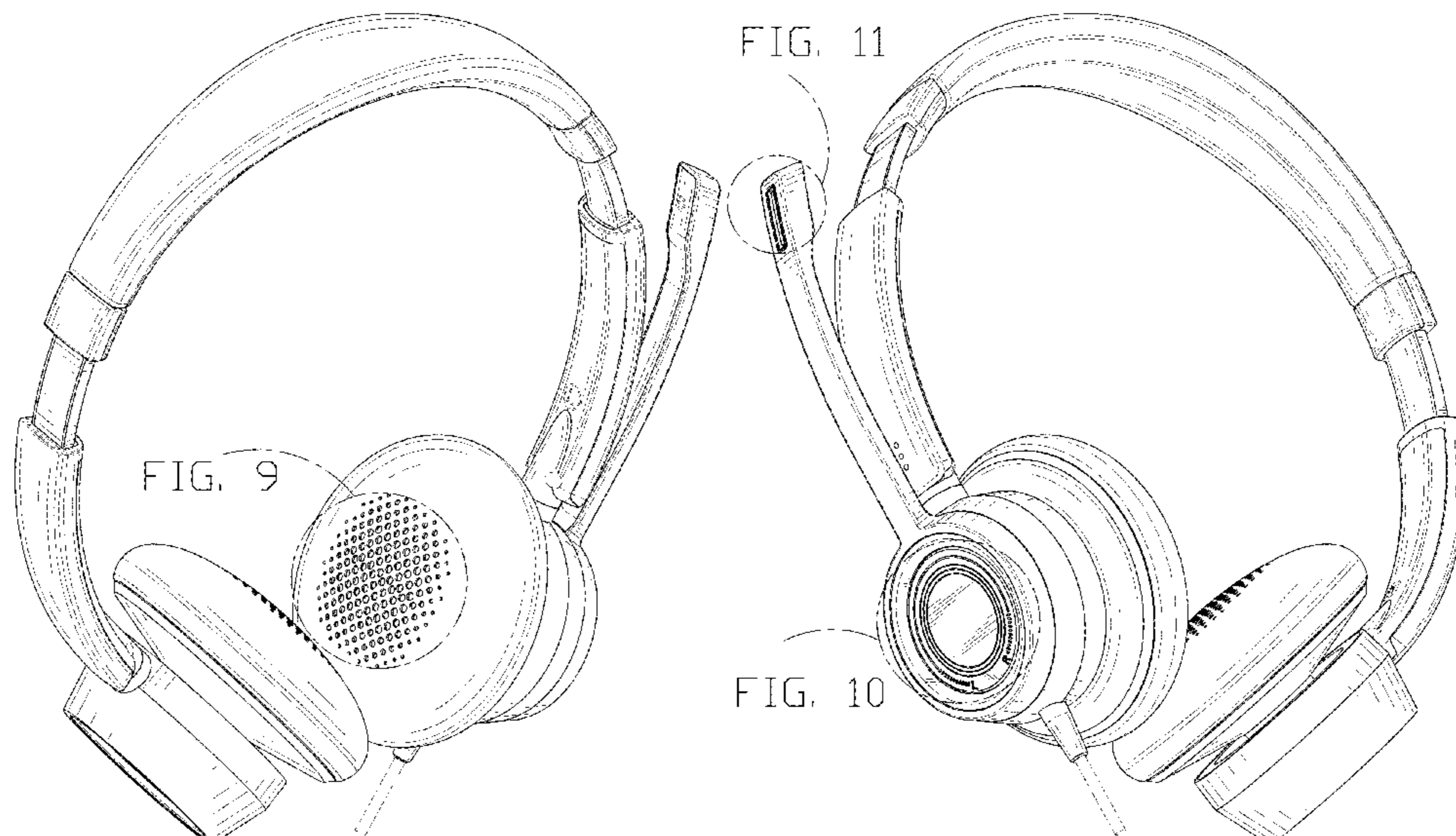
(57) **CLAIM**

The ornamental design for a headphone, as shown and described.

DESCRIPTION

FIG. 1 is a front and top perspective view of a headphone, showing my new design;
 FIG. 2 is a rear and bottom perspective view thereof;
 FIG. 3 is a front elevation view thereof;
 FIG. 4 is a rear elevation view thereof;
 FIG. 5 is a left side elevation view thereof;
 FIG. 6 is a right side elevation view thereof;
 FIG. 7 is a top plan view thereof;
 FIG. 8 is a bottom plan view thereof;
 FIG. 9 is an enlarged view of a portion labeled, 'FIG. 9' in FIG. 1;
 FIG. 10 is an enlarged view of a portion labeled, 'FIG. 10' in FIG. 2; and,
 FIG. 11 is an enlarged view of a portion labeled, 'FIG. 11' in FIG. 2.
 The broken lines in the figures illustrate portions of the headphone that form no part of the claimed design. The dash dot dash lines in FIGS. 1, 2, 9, 10 and 11 are for the purpose of depicting the boundary lines of the enlarged views and form no part of the claimed design.

1 Claim, 11 Drawing Sheets



(56)

References Cited

U.S. PATENT DOCUMENTS

7,457,649 B1 * 11/2008 Wilson H04R 1/1025
 381/374
 D603,370 S * 11/2009 Suzuki D14/205
 D625,709 S * 10/2010 Yamamoto D14/223
 D654,471 S * 2/2012 Fischer D14/206
 D654,472 S * 2/2012 Fischer D14/206
 D663,717 S * 7/2012 Hutchieson D14/206
 D666,168 S * 8/2012 Rath D14/206
 D673,929 S * 1/2013 Combs D14/205
 D675,595 S * 2/2013 Cho D14/205
 D677,647 S * 3/2013 Lee D14/205
 D684,145 S * 6/2013 Rath D14/206
 D684,559 S * 6/2013 Groset D14/205
 D686,593 S * 7/2013 Larsen D14/205
 D687,808 S * 8/2013 Combs D14/205
 D691,111 S * 10/2013 Lee D14/206
 D691,579 S * 10/2013 Lee D14/205
 D695,263 S * 12/2013 Mogili D14/205
 D712,871 S * 9/2014 McNamara D14/205
 D719,135 S * 12/2014 Kelley D14/205
 D750,041 S * 2/2016 Birger D14/205
 D750,043 S * 2/2016 Birger D14/206
 D763,226 S * 8/2016 Petersén D14/205
 D765,055 S * 8/2016 Hsieh D14/205
 D800,691 S * 10/2017 Ando D14/205
 D810,718 S * 2/2018 Galler D14/205
 D811,362 S * 2/2018 Petersen D14/205
 D843,345 S * 3/2019 Brunner D14/205
 D848,395 S * 5/2019 Kelley D14/205
 D851,627 S * 6/2019 ter Laag D14/205
 10,344,963 B1 * 7/2019 Mobed H04R 1/1008
 D856,303 S * 8/2019 Ando D14/205
 D857,652 S * 8/2019 Wang D14/205
 D864,898 S * 10/2019 Chen D14/205
 D866,509 S * 11/2019 Lindof D14/206

D866,510 S * 11/2019 Lindof D14/206
 D866,513 S * 11/2019 Lindof D14/206
 D866,514 S * 11/2019 Lindof D14/206
 D870,069 S * 12/2019 Hu D14/206
 D879,066 S * 3/2020 Chen D14/205
 D895,570 S * 9/2020 Choi D14/205
 D917,421 S * 4/2021 Zheng D14/206
 D920,954 S * 6/2021 Tong D14/206
 D922,350 S * 6/2021 Pedersen D14/206
 D927,458 S * 8/2021 Su D14/206
 D940,685 S * 1/2022 He D14/206
 D950,520 S * 5/2022 Yan D14/206
 2006/0256992 A1 * 11/2006 Liao H04R 1/1058
 381/371
 2010/0128888 A1 * 5/2010 Junge H04R 5/033
 381/74
 2010/0135515 A1 * 6/2010 Walsh H04R 1/1008
 381/374
 2011/0228925 A1 * 9/2011 Birch H04R 1/1041
 379/428.02
 2015/0326973 A1 * 11/2015 Marrin H04R 5/027
 381/309
 2016/0198250 A1 * 7/2016 Pan H04R 1/1041
 381/74
 2020/0288234 A1 * 9/2020 Fletcher H04R 1/1066
 2021/0037317 A1 * 2/2021 Wahlin H04R 5/0335

FOREIGN PATENT DOCUMENTS

CN 306278857 * 1/2021
 CN 306629214 * 6/2021
 CN 306810322 * 9/2021
 CN 306941780 * 11/2021
 CN 307018871 * 12/2021
 CN 307278789 * 4/2022
 CN 307278941 * 4/2022
 EM 008568950-0001 * 6/2021

* cited by examiner

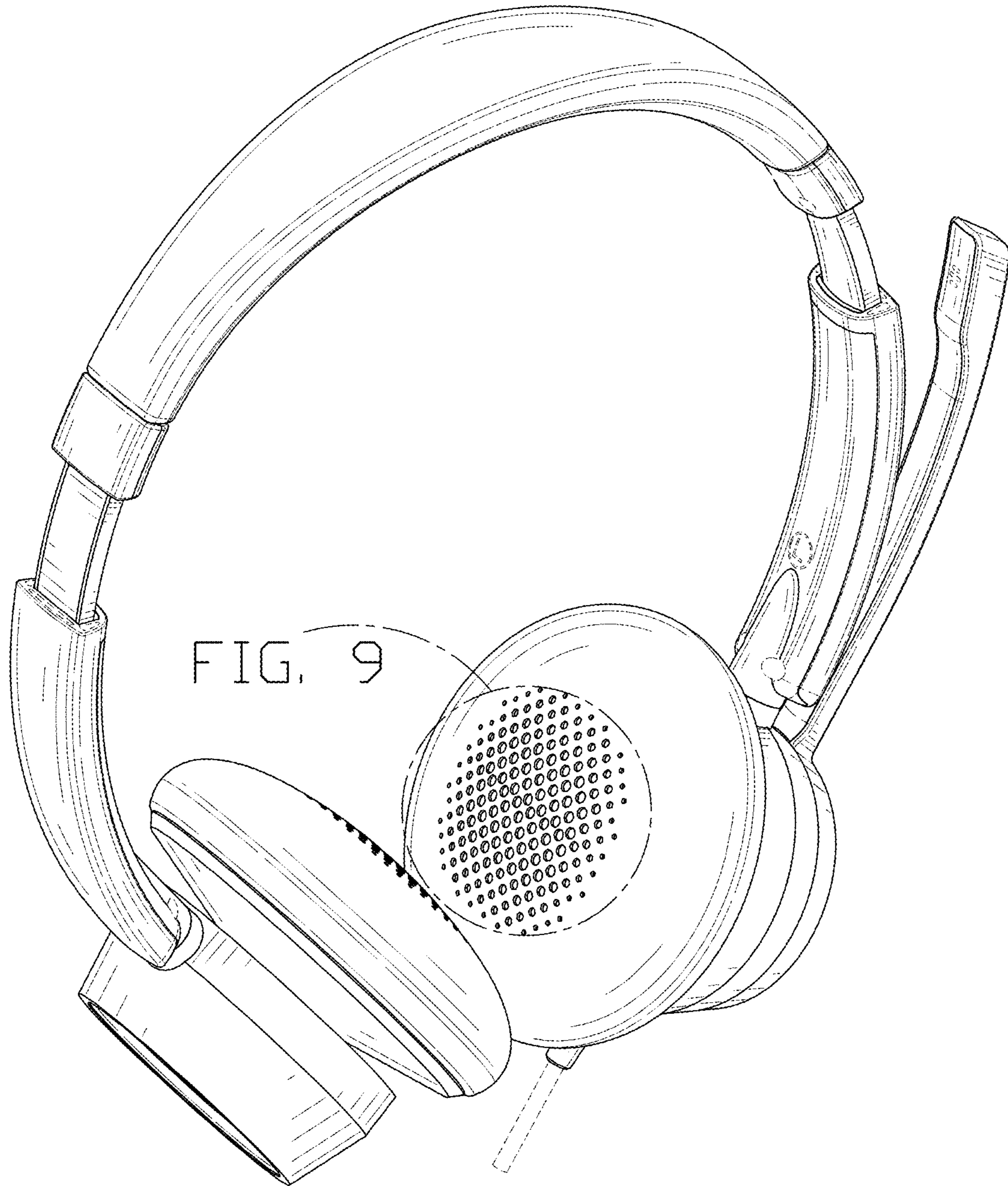


FIG. 1

FIG. 11

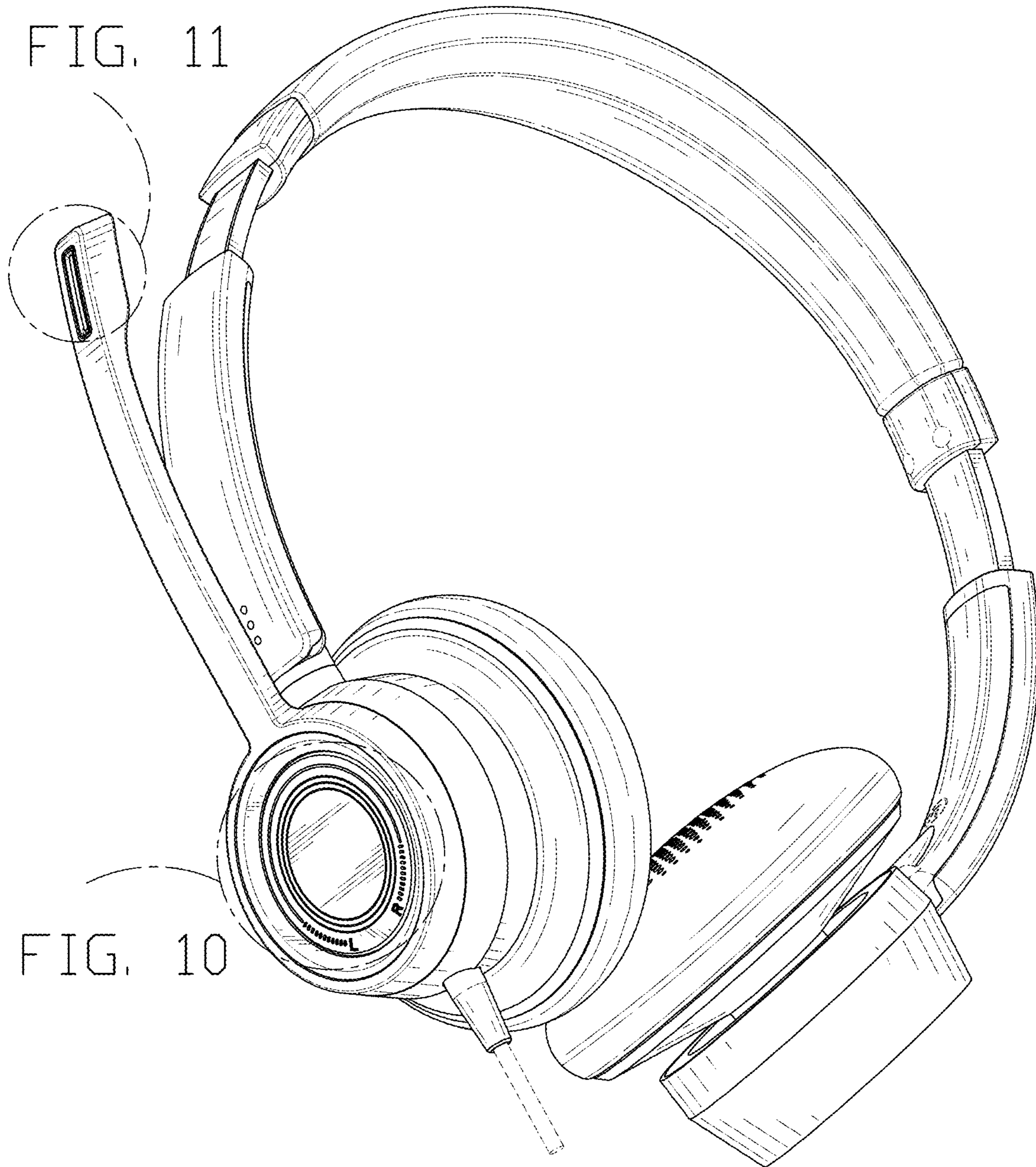


FIG. 2



FIG. 3



FIG. 4

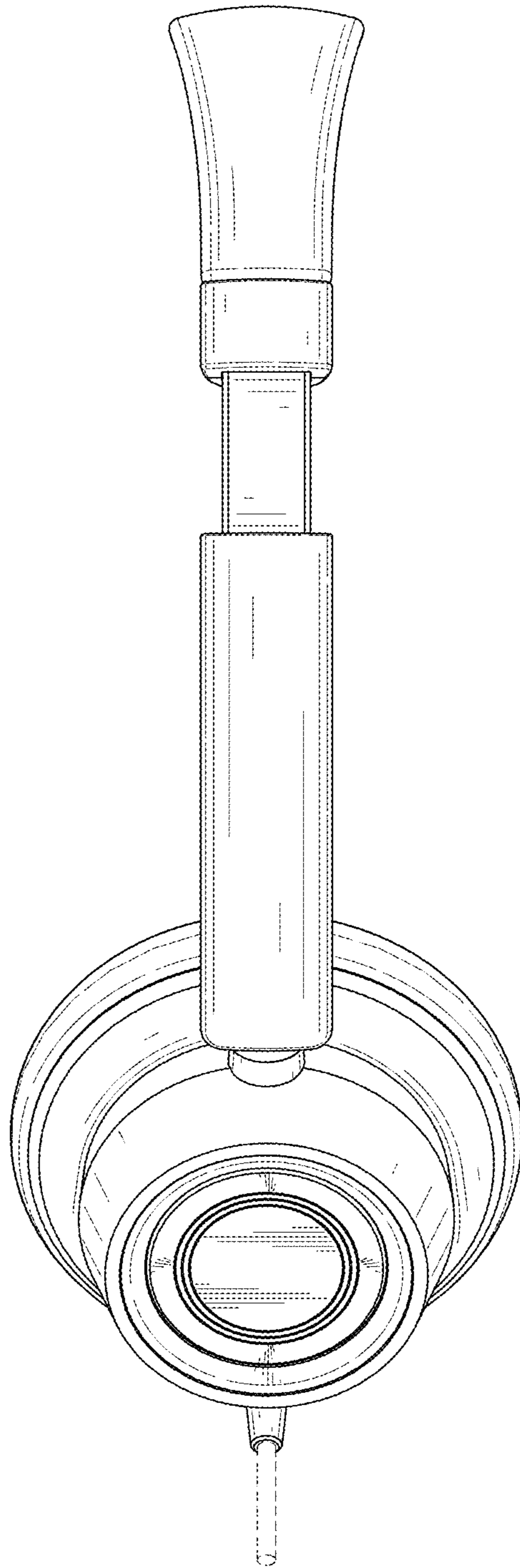


FIG. 5

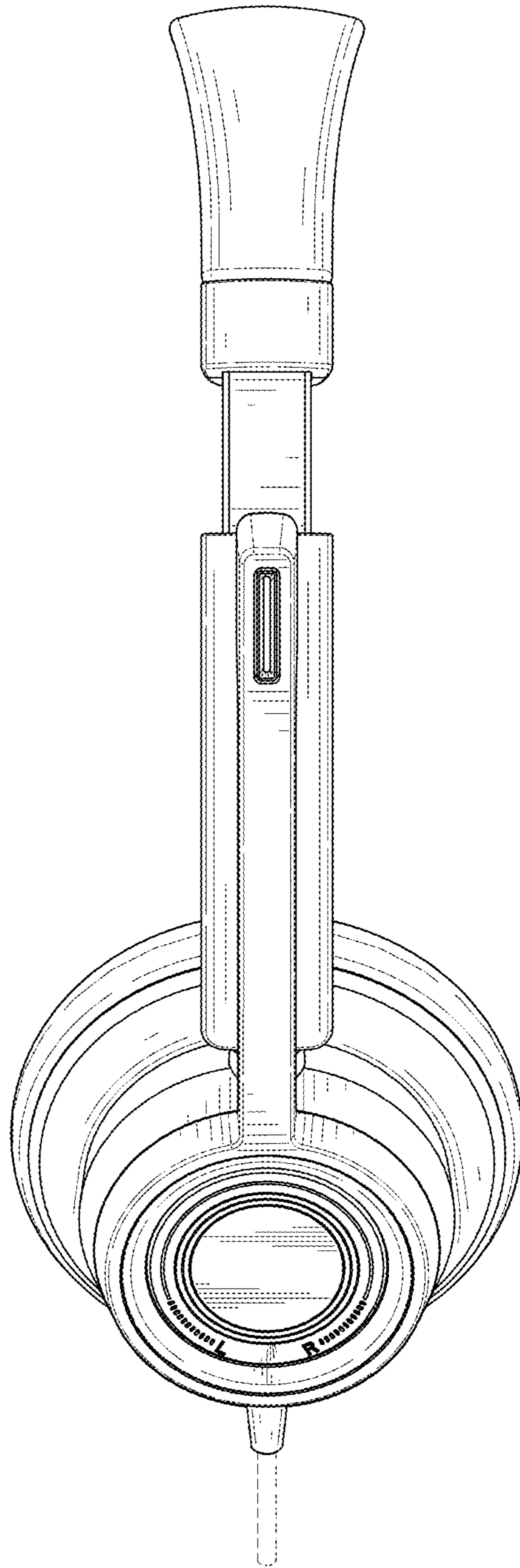


FIG. 6

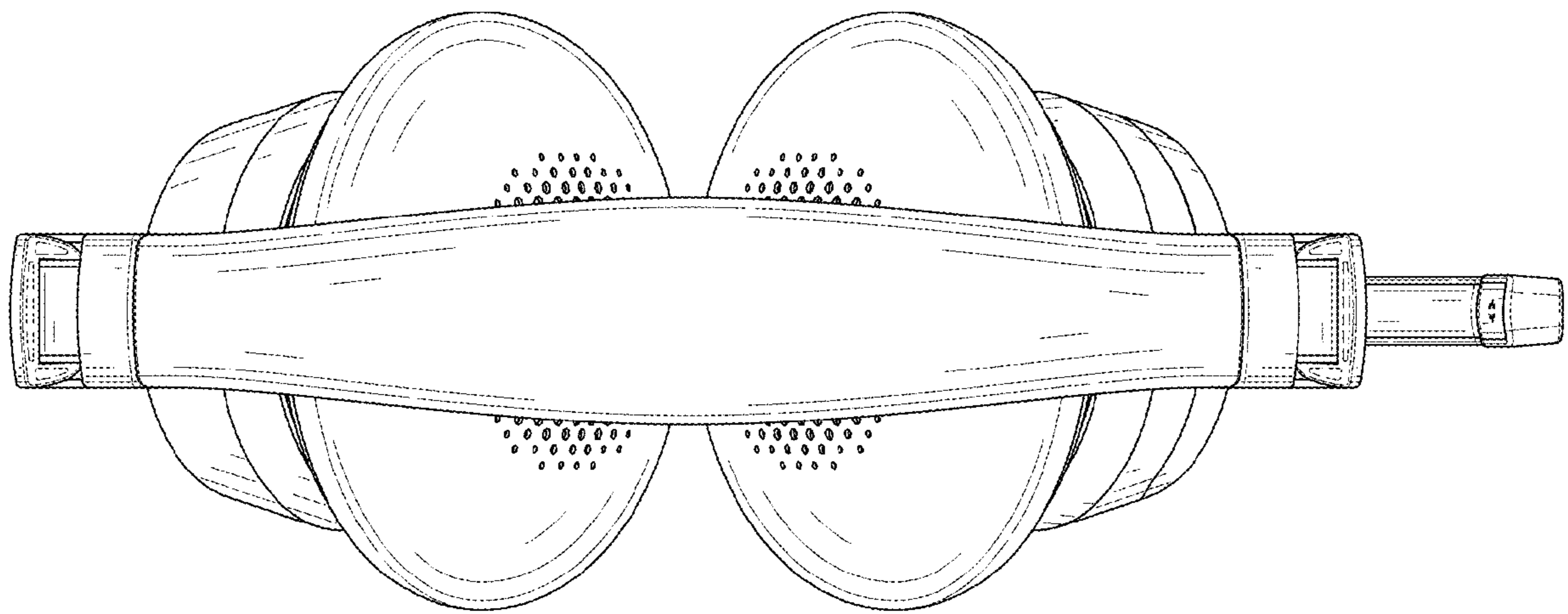


FIG. 7

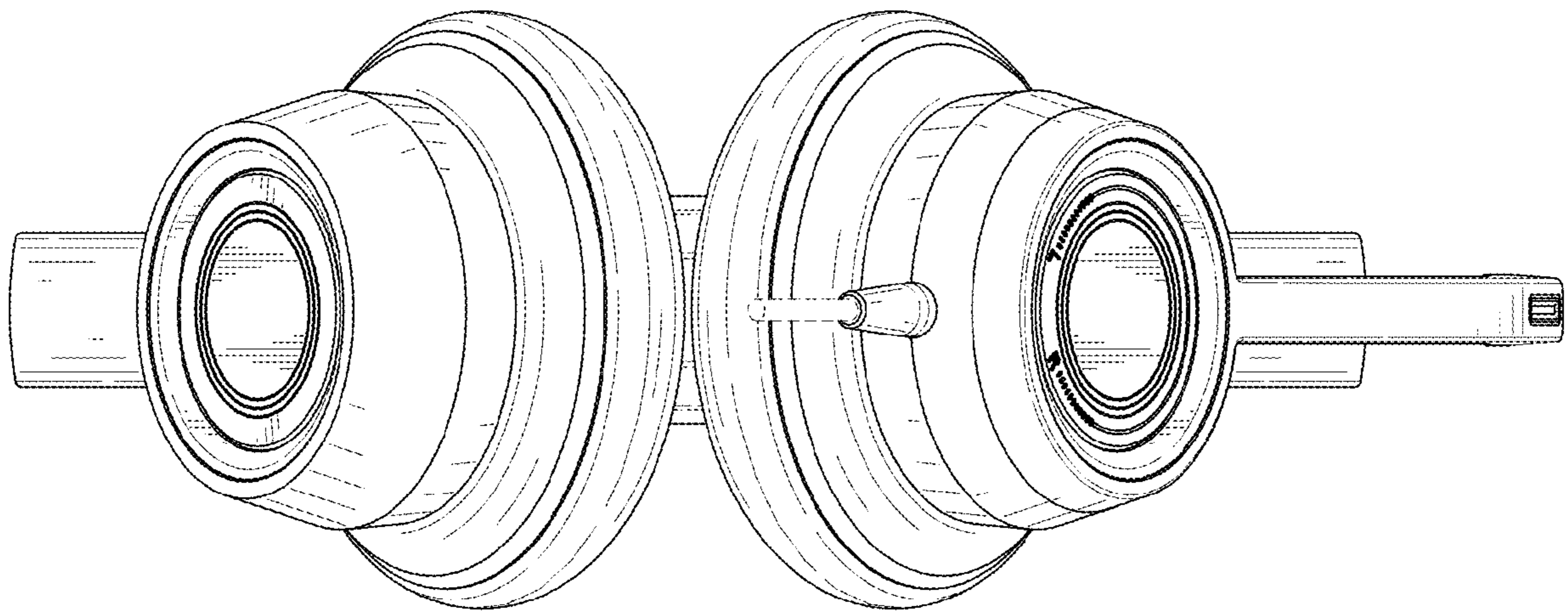


FIG. 8

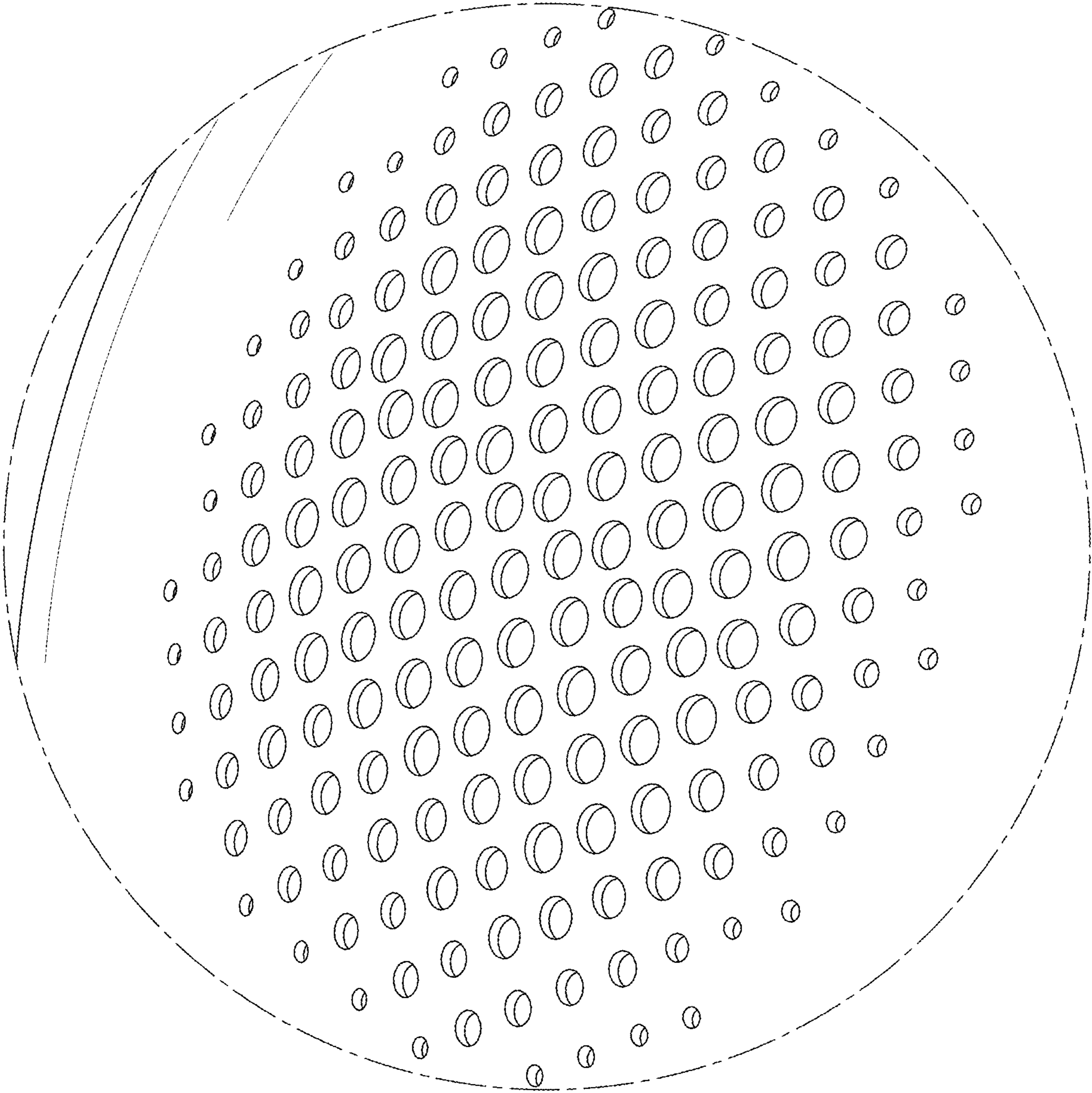


FIG. 9

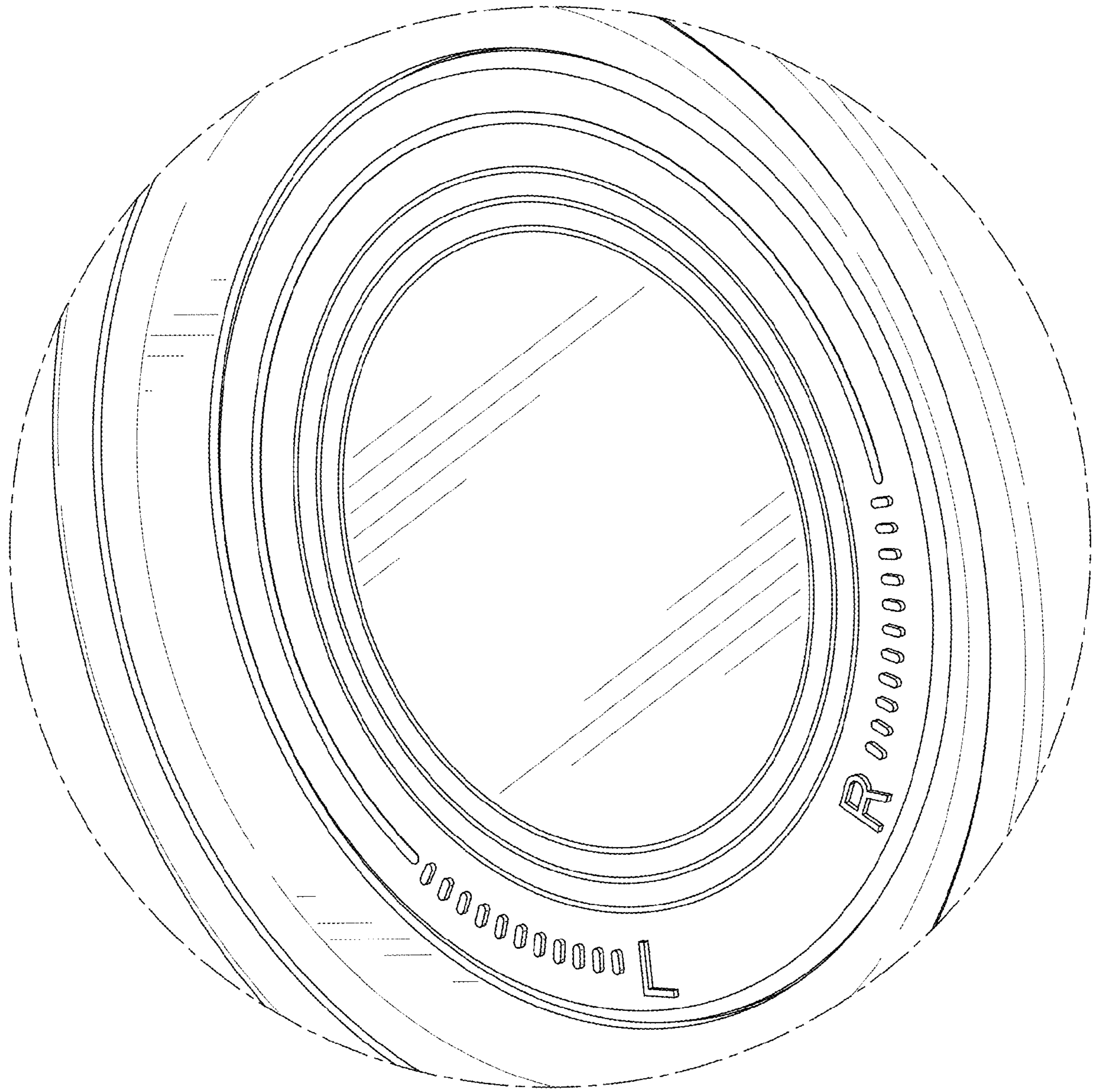


FIG. 10

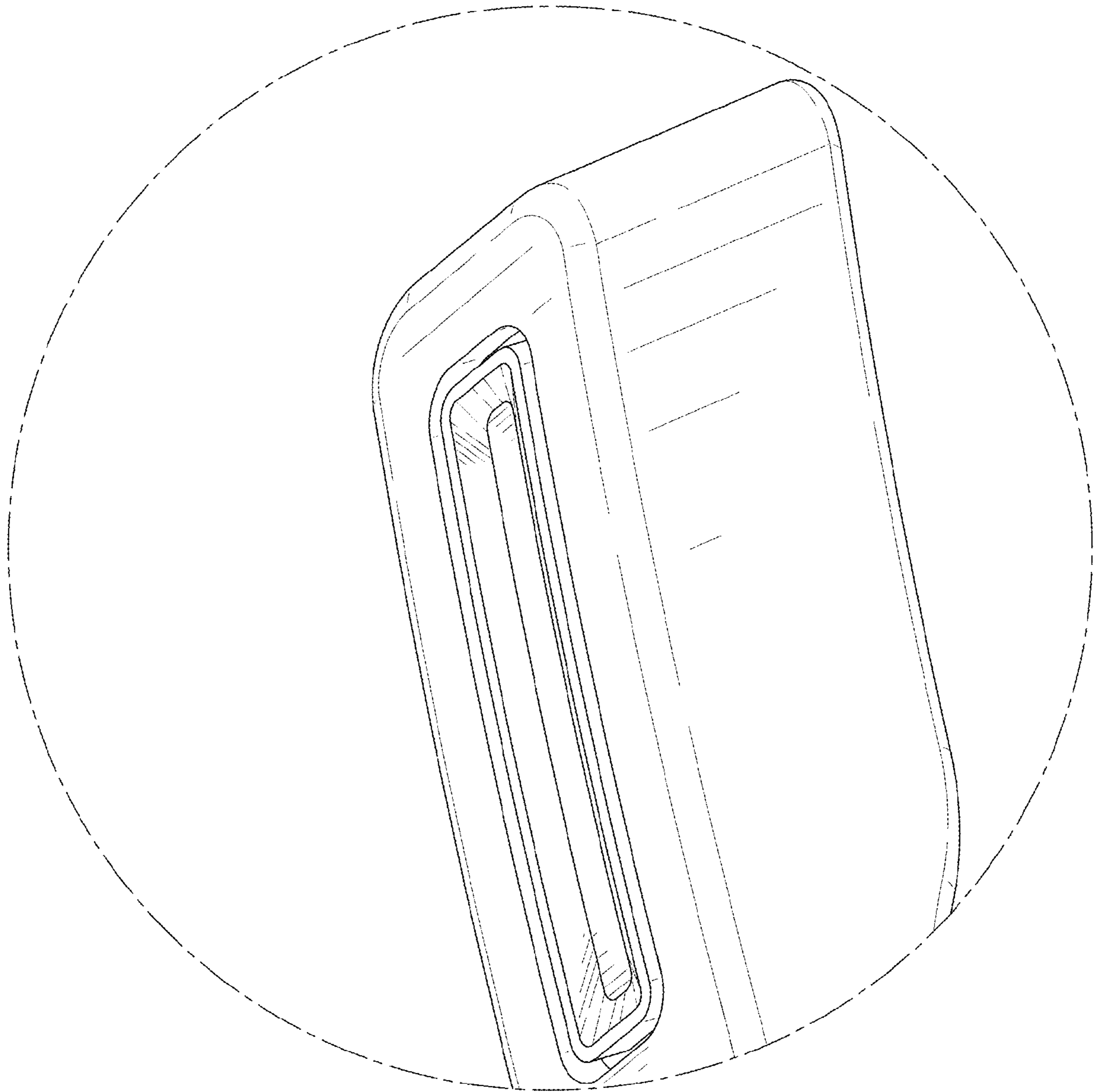


FIG. 11