



US00D961547S

(12) **United States Design Patent**
Li

(10) **Patent No.:** **US D961,547 S**
(45) **Date of Patent:** **** Aug. 23, 2022**

- (54) **AUDIO HEADSET**
- (71) Applicant: **Xiongjie Li**, Shenzhen (CN)
- (72) Inventor: **Xiongjie Li**, Shenzhen (CN)
- (73) Assignee: **Yenona Audio Co., Ltd**, Shenzhen (CN)
- (**) Term: **15 Years**
- (21) Appl. No.: **29/745,244**
- (22) Filed: **Aug. 4, 2020**
- (51) **LOC (13) Cl.** **14-01**
- (52) **U.S. Cl.**
USPC **D14/206**; D14/226
- (58) **Field of Classification Search**
USPC D14/205, 188, 192, 206, 226, 215, 219;
D29/112; 2/209; 381/380, 381, 374;
455/90.3, 575.1, 569.1
CPC H04R 25/00; H04R 25/02; H04R 1/1066;
H04R 1/1016; H04R 5/033; H04R
5/0335; H04R 1/1041; H04R 1/1091;
H04R 1/1008; H04R 1/1075; H04R
1/1083
See application file for complete search history.

- (56) **References Cited**
U.S. PATENT DOCUMENTS
D246,519 S * 11/1977 Kato D14/205
4,385,209 A * 5/1983 Greason H04M 1/03
381/113
4,796,307 A * 1/1989 Vantine A63B 71/10
351/158
5,551,090 A * 9/1996 Thompson A61F 11/14
181/129
D376,598 S * 12/1996 Hayashi D14/206
D410,466 S * 6/1999 Mouri D14/205
D420,356 S * 2/2000 Suzuki D14/205
D422,206 S * 4/2000 Clark D8/352
D432,522 S * 10/2000 Kieltyka D14/216

- D435,249 S * 12/2000 Yasutomi D14/205
 - D467,580 S * 12/2002 Mori D14/223
 - D567,215 S * 4/2008 Lee D14/205
 - 7,388,960 B2 * 6/2008 Kuo H04R 5/02
381/384
 - D652,022 S * 1/2012 Miyawaki D14/216
 - 8,213,667 B2 * 7/2012 Nelson F16C 11/06
381/370
 - 8,861,767 B2 * 10/2014 Lee H04R 5/0335
381/370
 - D727,281 S * 4/2015 Levine D14/205
 - D728,512 S * 5/2015 Nakagawa D14/205
 - D746,790 S * 1/2016 Strasberg D14/205
 - D750,041 S * 2/2016 Birger D14/205
 - D781,265 S * 3/2017 Levine D14/205
- (Continued)

FOREIGN PATENT DOCUMENTS

- CN 008069306-0001 * 8/2020
 - CN 307002534 * 12/2021
- (Continued)

Primary Examiner — Paula Allen Greene

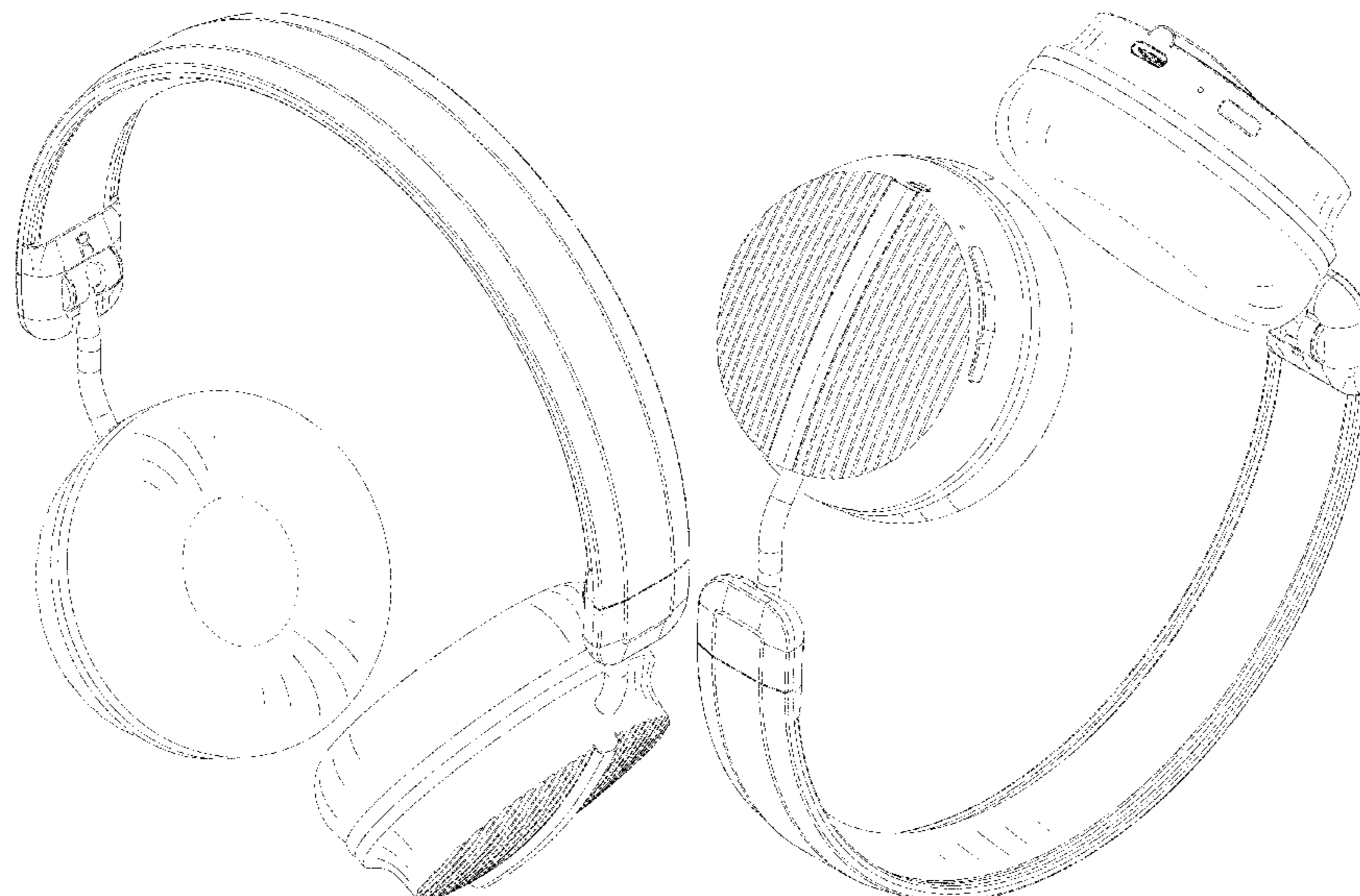
(57) **CLAIM**

The ornamental design for an audio headset, as shown and described.

DESCRIPTION

FIG. 1 is a front, top perspective view of an audio headset showing my new design;
 FIG. 2 is a rear, bottom perspective view thereof;
 FIG. 3 is a front elevational view thereof;
 FIG. 4 is a rear elevational view thereof;
 FIG. 5 is a left side elevational view thereof;
 FIG. 6 is a right side elevational view thereof;
 FIG. 7 is a top plan view thereof; and,
 FIG. 8 is a bottom plan view thereof.
 The broken lines of the audio headset form no part of the claimed design.

1 Claim, 8 Drawing Sheets



(56)

References Cited

U.S. PATENT DOCUMENTS

D809,478 S * 2/2018 Arimoto D14/205
D816,061 S * 4/2018 Ando D14/205
D836,084 S * 12/2018 Xie D14/205
D838,687 S * 1/2019 Wu D14/205
D841,616 S * 2/2019 Bian D14/205
D842,270 S * 3/2019 Chen D14/205
D852,168 S * 6/2019 Zhou D14/219
D857,652 S * 8/2019 Wang D14/205
D864,156 S * 10/2019 Liu D14/206
D864,157 S * 10/2019 Hu D14/206
D867,328 S * 11/2019 Bian D14/219
D868,029 S * 11/2019 Hänggi D14/205
D872,050 S * 1/2020 Liu D14/206
D874,430 S * 2/2020 Liu D14/205
D885,363 S * 5/2020 Li D14/205
D893,454 S * 8/2020 Li D14/206
2013/0195308 A1 * 8/2013 Tankersley A61F 11/06
381/378
2021/0260414 A1 * 8/2021 Mundy H04R 1/1008

FOREIGN PATENT DOCUMENTS

CN 307169426 * 3/2022
GB 9008086318-0001 * 8/2020

* cited by examiner

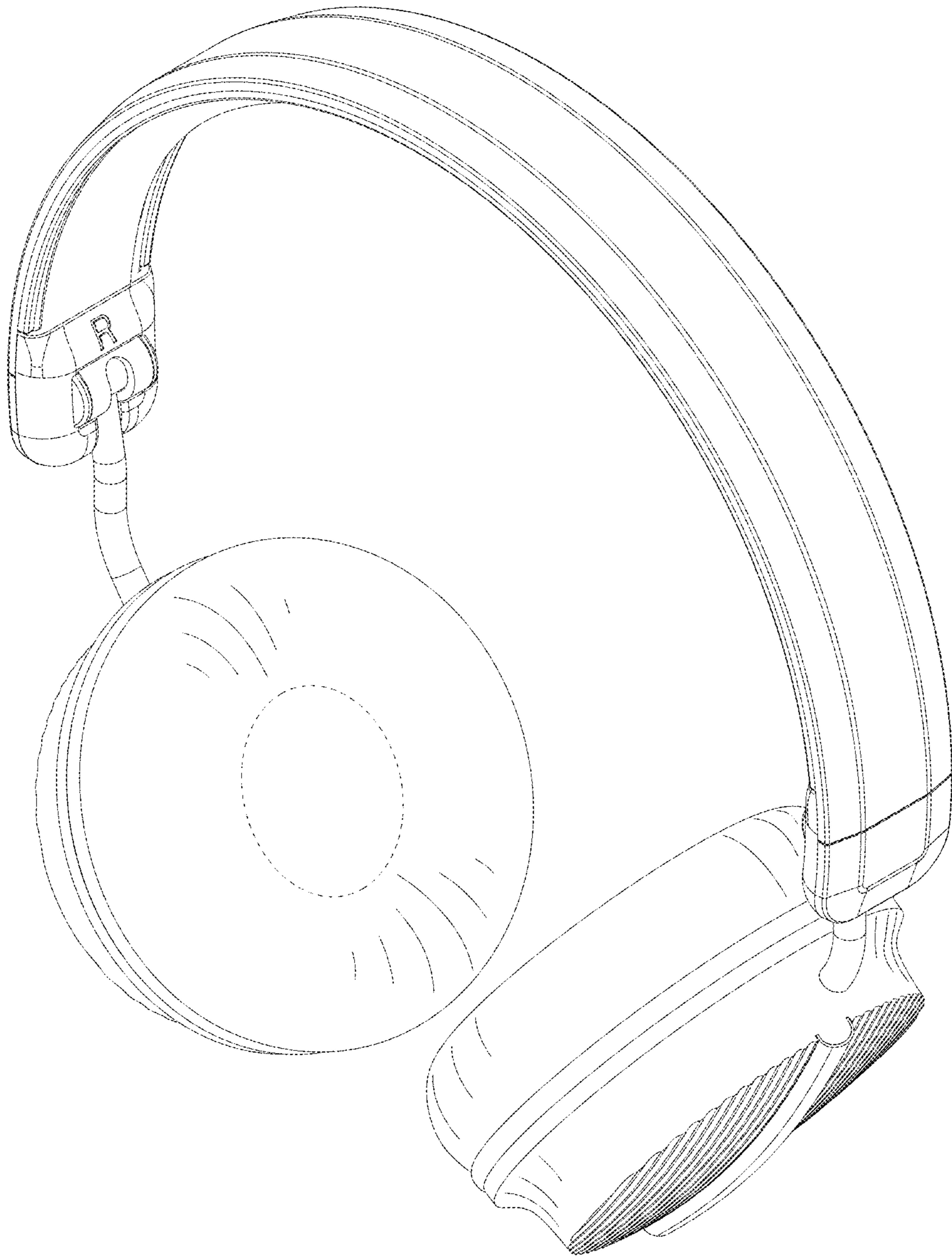


FIG. 1

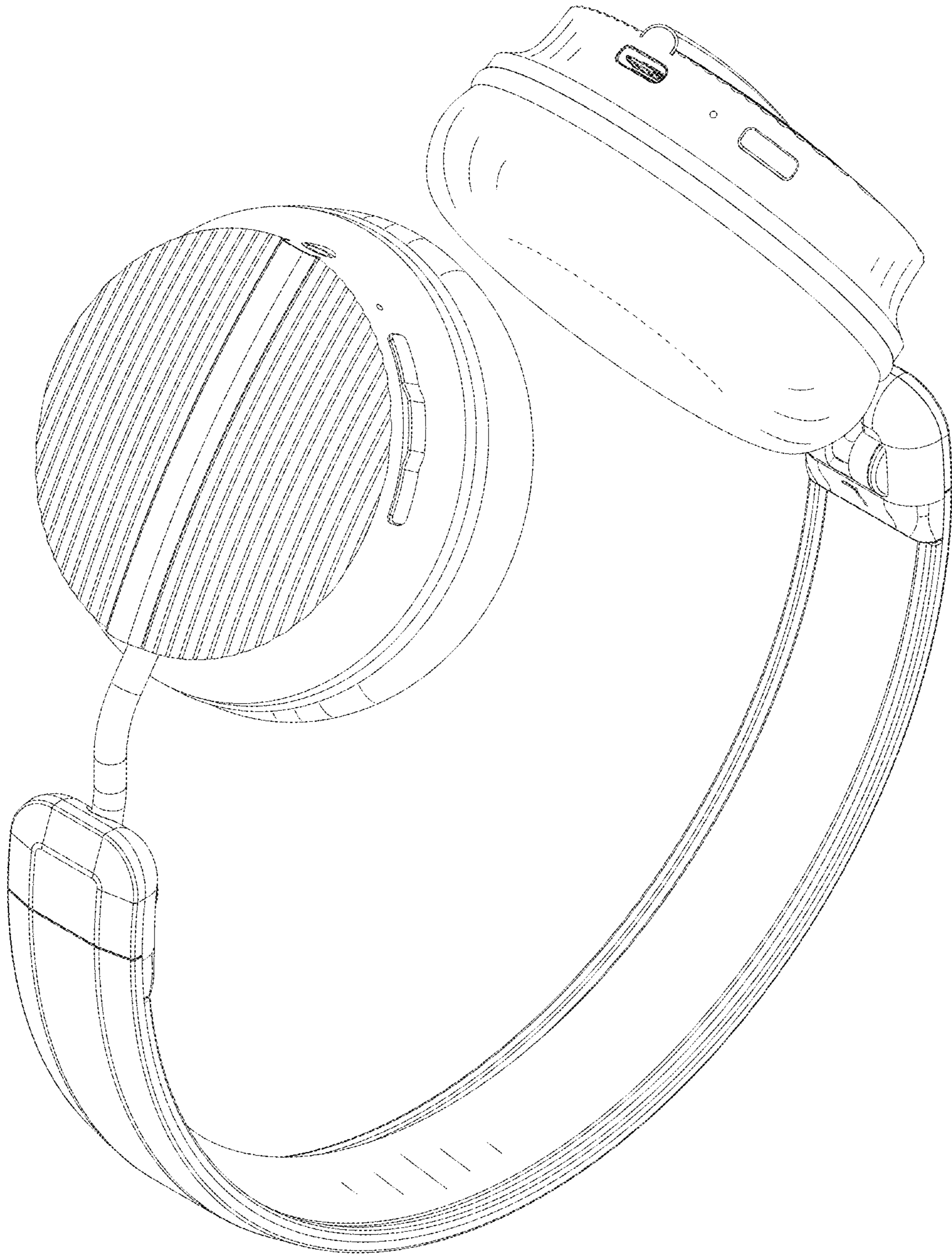


FIG. 2



FIG. 3



FIG. 4

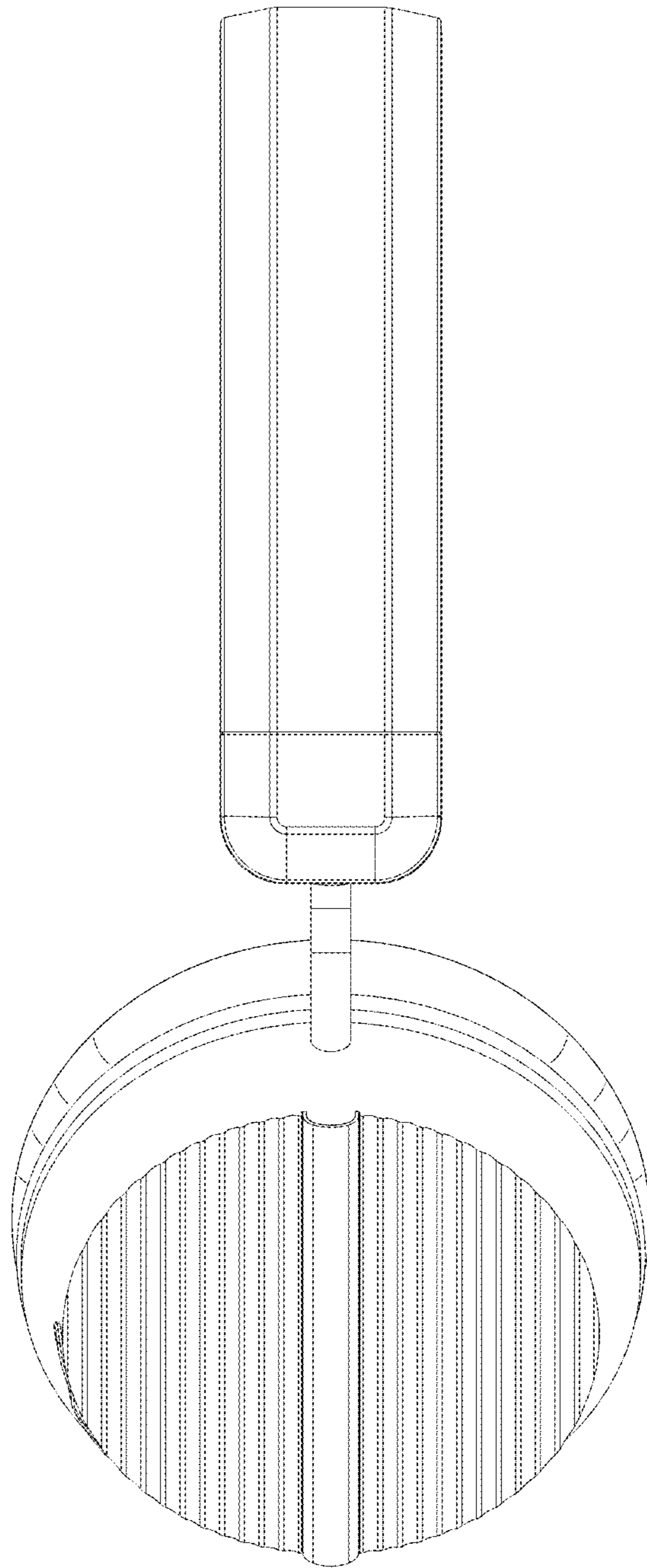


FIG. 5

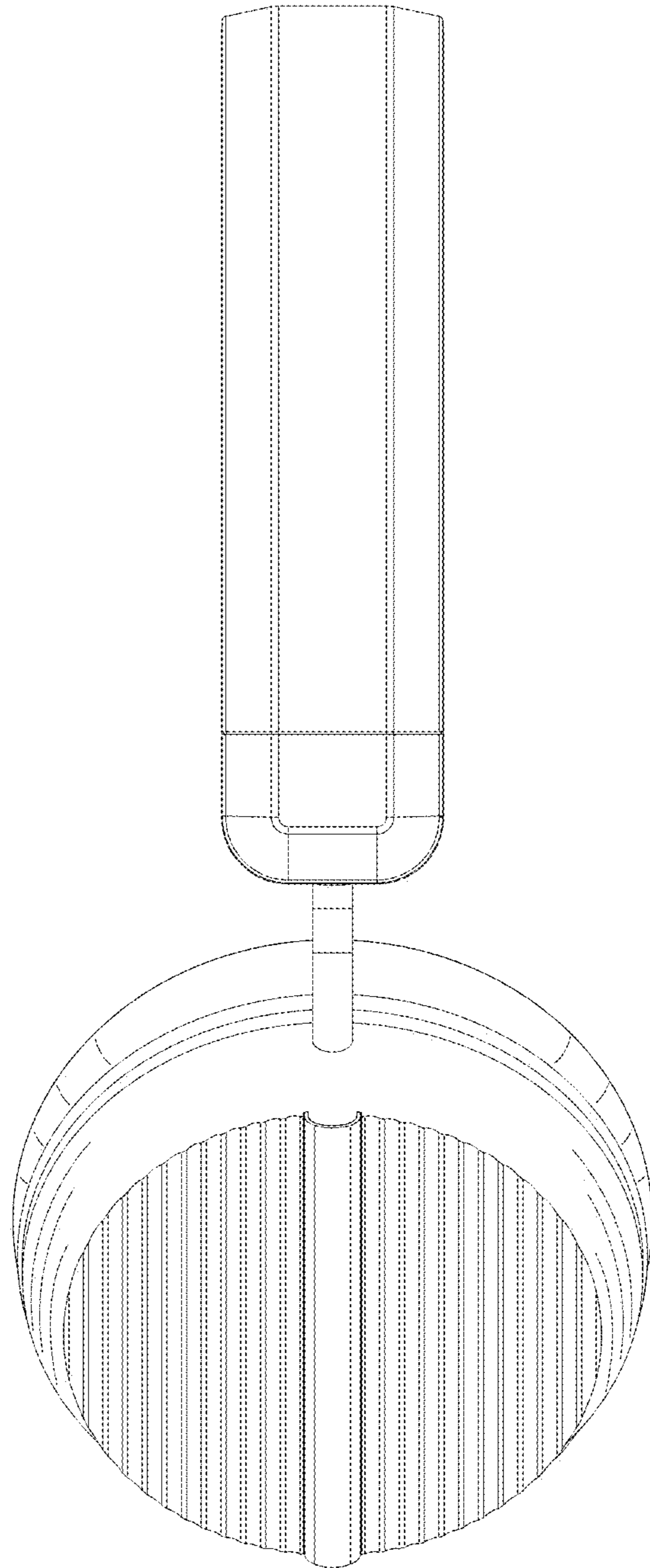


FIG. 6

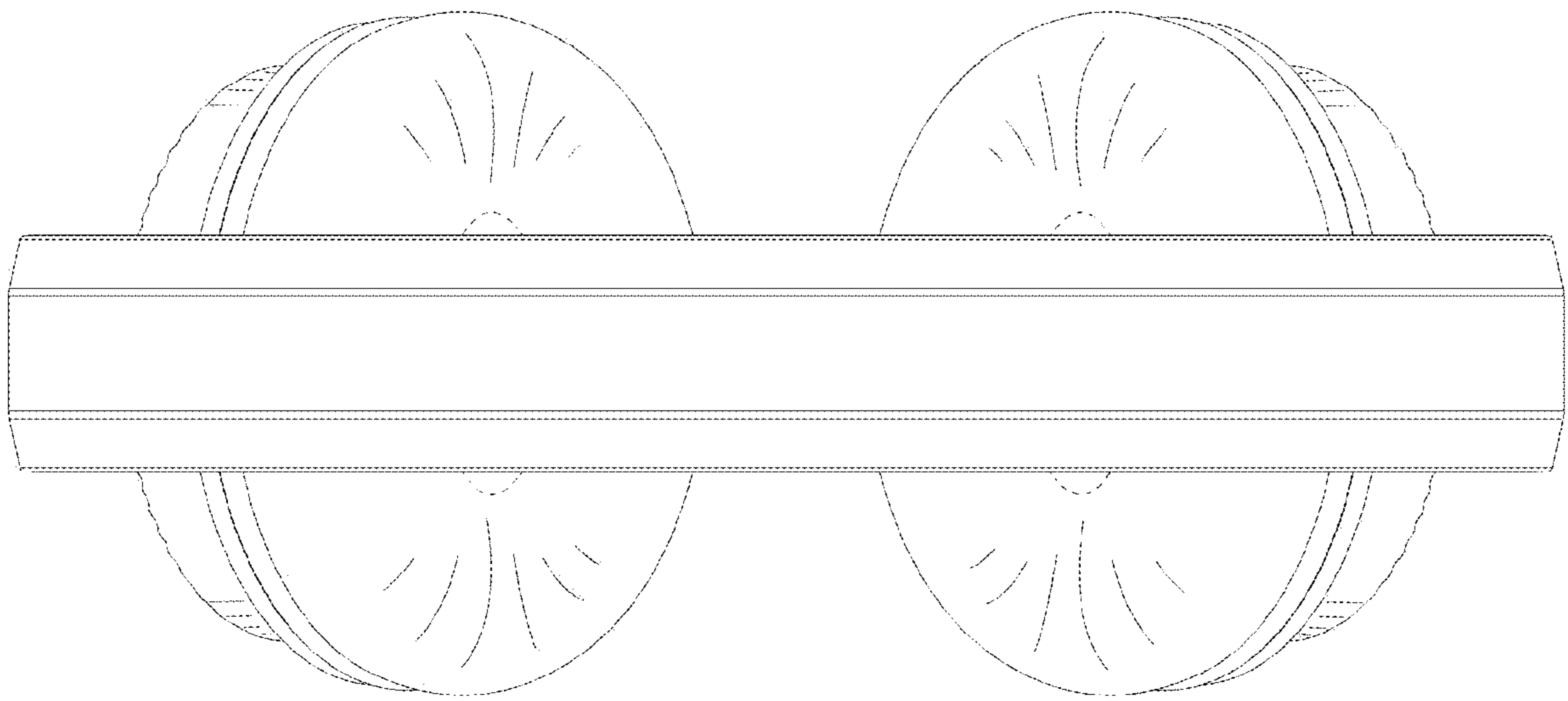


FIG. 7

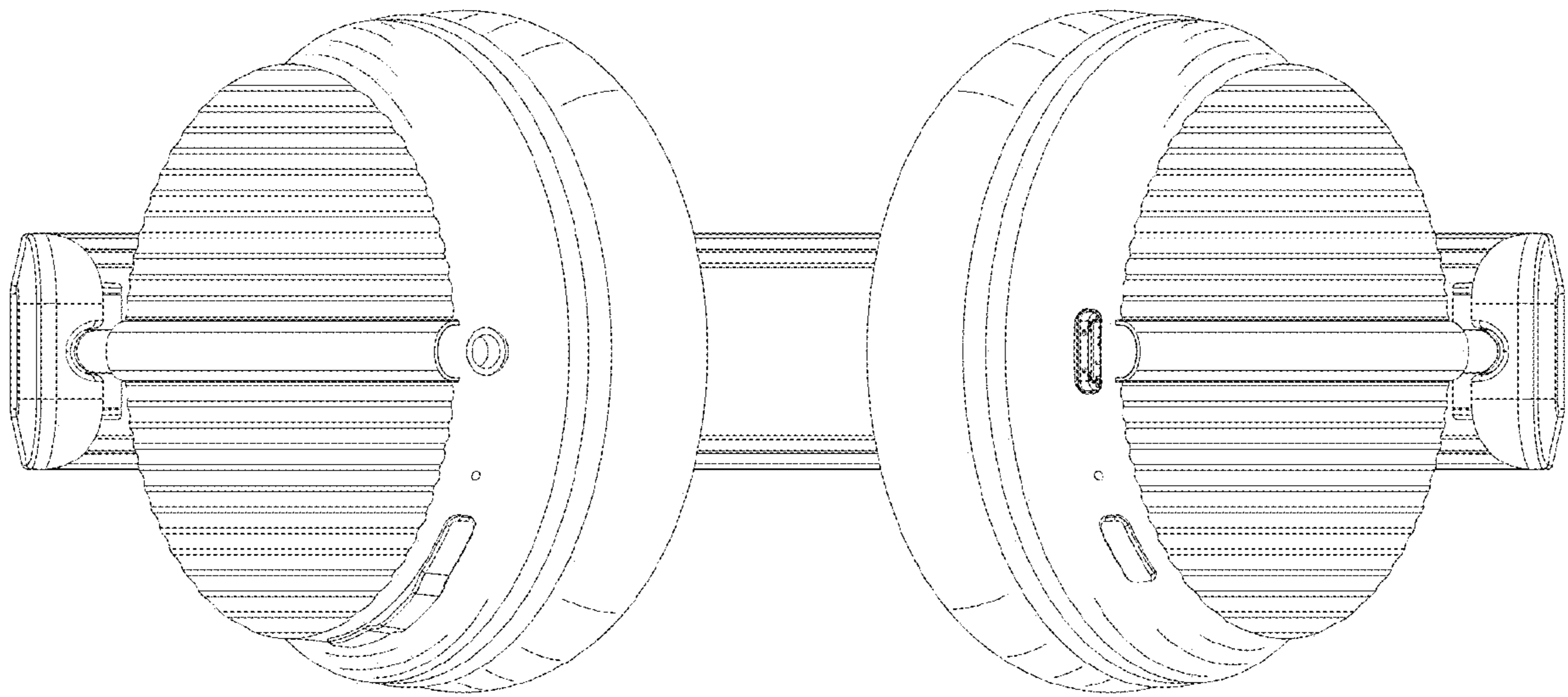


FIG. 8