

US00D961544S

(12) **United States Design Patent**
Zhao

(10) **Patent No.:** **US D961,544 S**

(45) **Date of Patent:** **** Aug. 23, 2022**

(54) **WEARABLE AUDIO RECORDER WITH A WEARABLE REMOTE CONTROL**

(71) Applicant: **Yakun Zhao**, La Grange, IL (US)

(72) Inventor: **Yakun Zhao**, La Grange, IL (US)

(**) Term: **15 Years**

(21) Appl. No.: **29/770,133**

(22) Filed: **Feb. 9, 2021**

(51) **LOC (13) Cl.** **14-01**

(52) **U.S. Cl.**
USPC **D14/167**

(58) **Field of Classification Search**
USPC D14/167, 154, 168, 188, 496, 156, 160,
D14/161, 162, 163, 164, 165, 158, 203.1,
D14/341, 346, 342, 345, 225, 226, 228,
D14/227, 214; 455/351, 350; D19/60,
D19/62; D21/330; 369/44.14, 44.32;
700/94; D16/202
CPC H04N 13/004; H04N 5/85; H04N 9/8227;
H04N 13/0055; H04N 19/597; H04N
19/61; H04N 21/42646; H04N 21/4325;
H04N 1/234327; G11B 27/034; G11B
27/11

See application file for complete search history.

(56) **References Cited**

U.S. PATENT DOCUMENTS

D296,911 S * 7/1988 Gordon D21/417
D333,326 S * 2/1993 Lee D21/417

D344,297 S * 2/1994 Amburgey D21/416
D357,128 S * 4/1995 Watson D6/334
D432,181 S * 10/2000 Barber D21/416
D453,802 S * 2/2002 Hoffman D21/417
D460,433 S * 7/2002 Heyl D14/189
D537,066 S * 2/2007 Parker D14/167
D542,861 S * 5/2007 Boutin A47D 13/086
D21/417
D619,115 S * 7/2010 Unruh D14/167
D937,801 S * 12/2021 Deng D14/167

* cited by examiner

Primary Examiner — Austin Murphy

(74) *Attorney, Agent, or Firm* — Barry Choobin; Patent
360

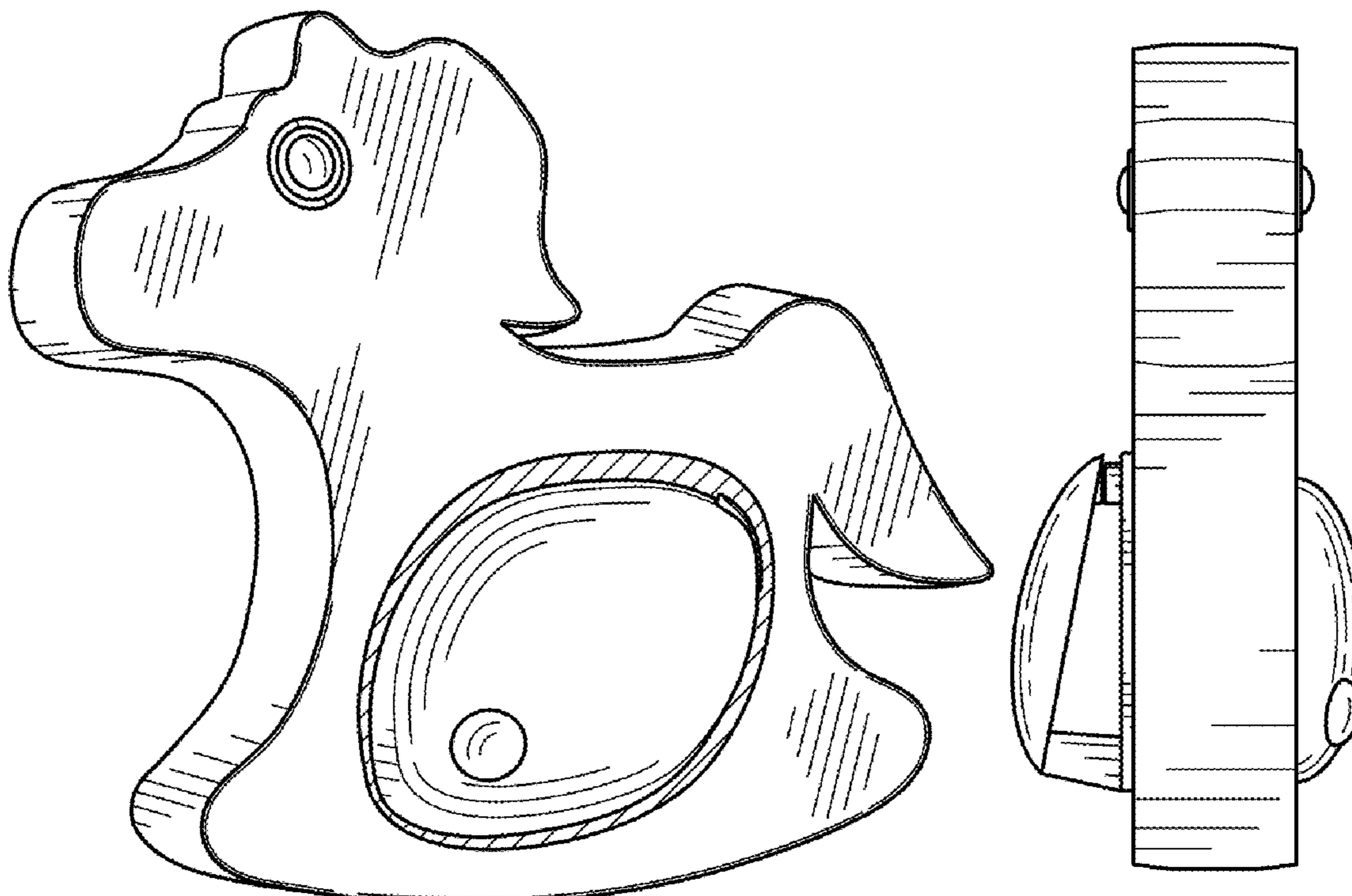
(57) **CLAIM**

An ornamental design for a wearable audio recorder with a wearable remote control, as shown and described.

DESCRIPTION

FIG. 1 is a perspective view of a wearable audio recorder with a wearable remote control, showing my new design; FIG. 2 is a front view thereof; FIG. 3 is a rear view thereof; FIG. 4 is a right-side view thereof; FIG. 5 is a left-side view thereof; FIG. 6 is a top view thereof; FIG. 7 is a bottom view thereof; and, FIG. 8 is another perspective view thereof, in which the wearable audio recorder is shown in open clip state and the wearable remote control is separated. Area depicted by line hatch in FIG. 1 and FIG. 2 shows a contrasting texture.

1 Claim, 7 Drawing Sheets



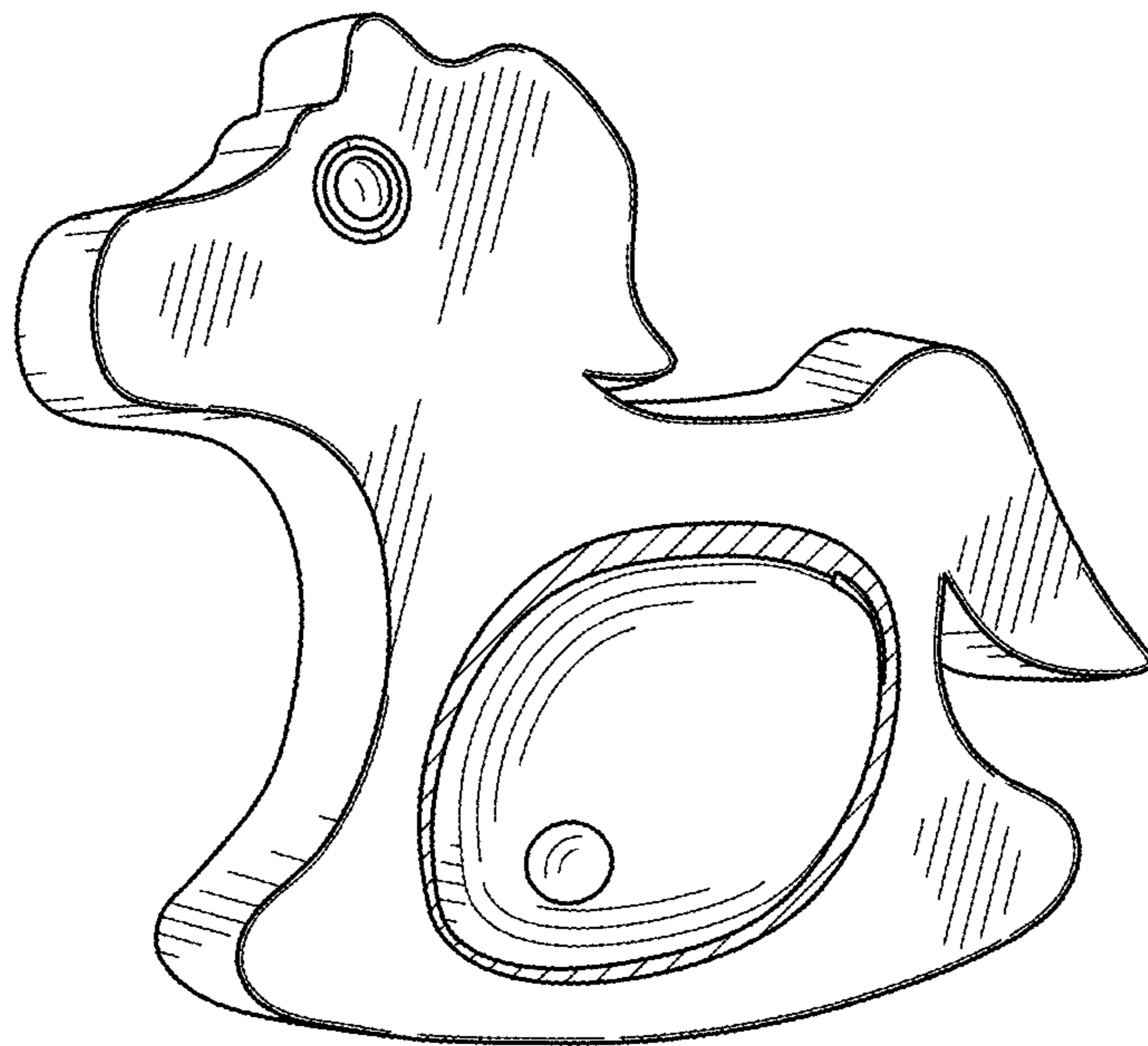


FIG. 1

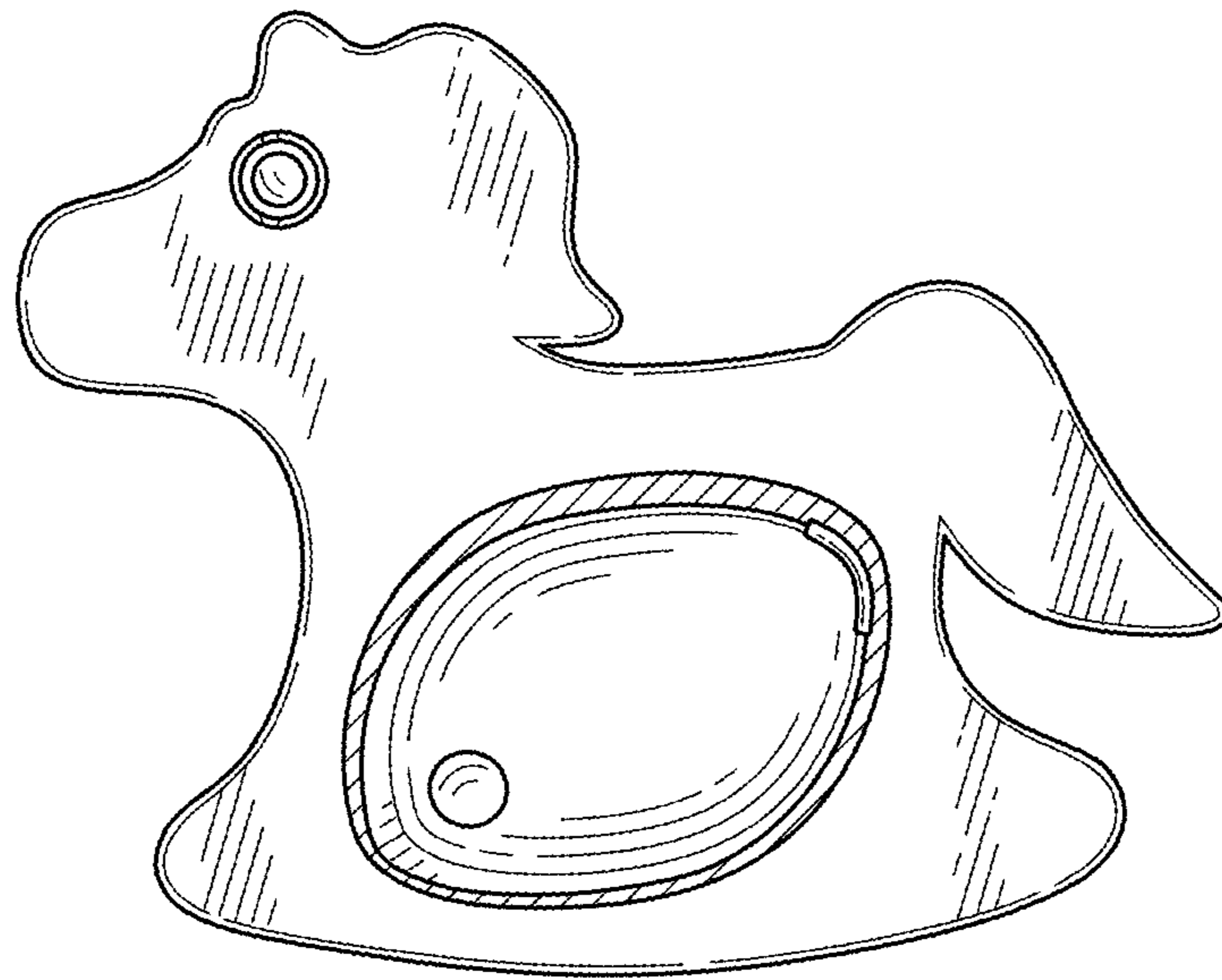


FIG. 2

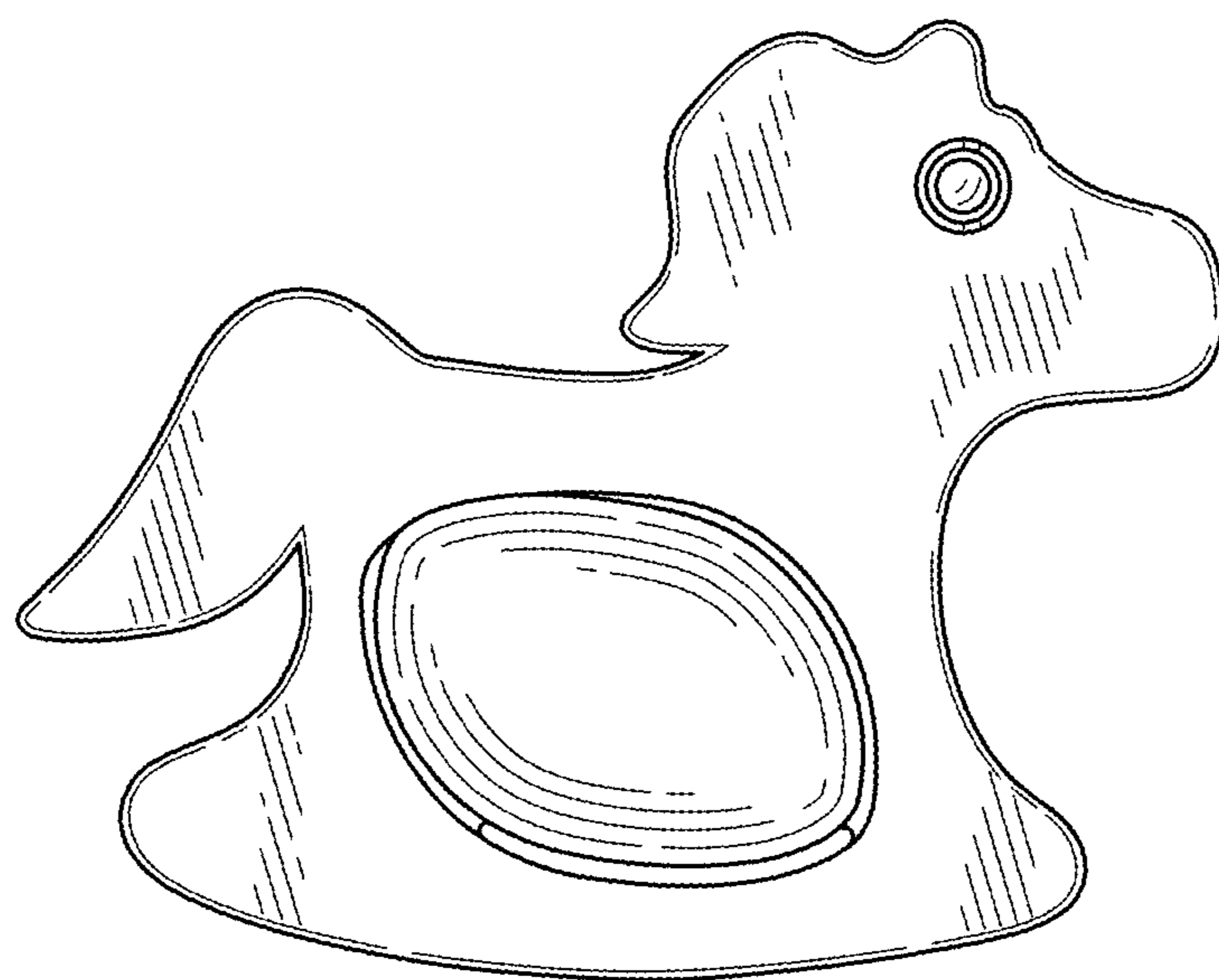


FIG. 3

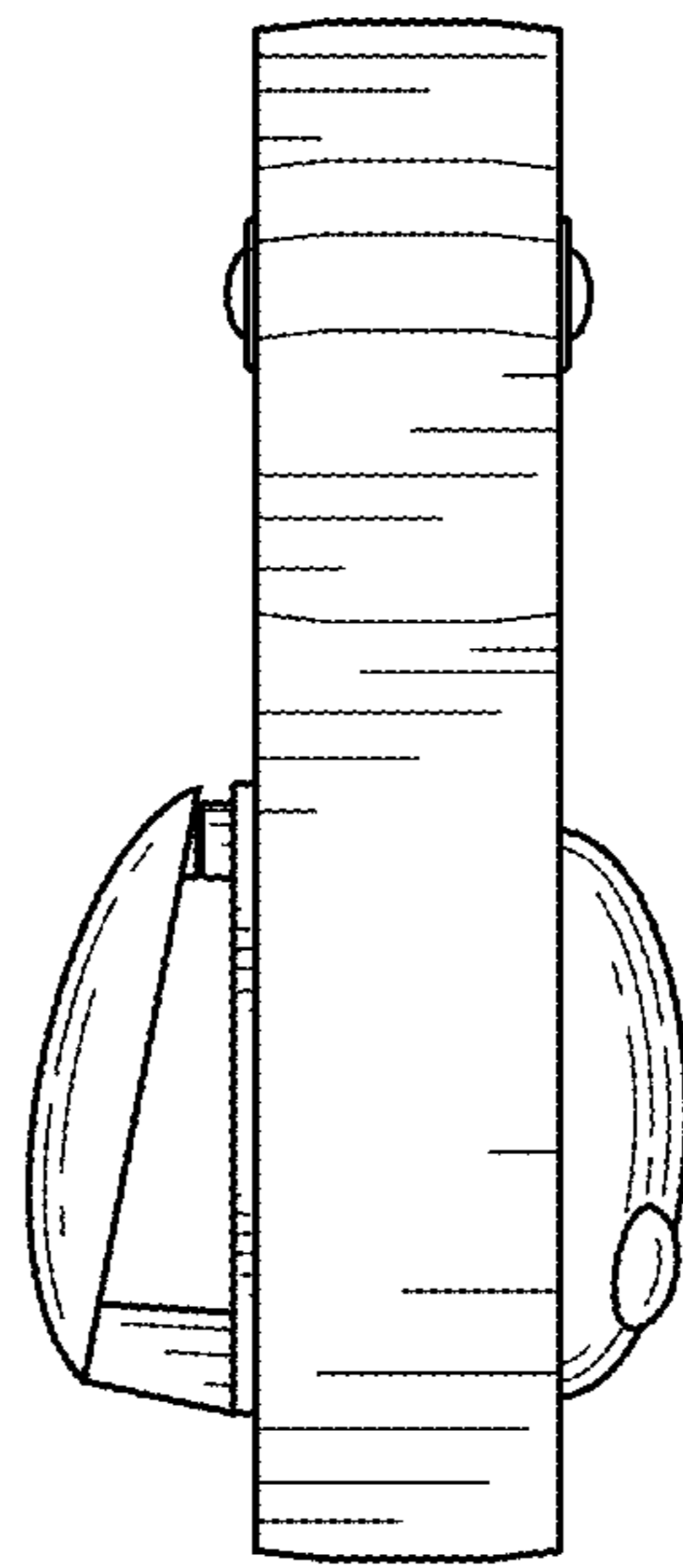


FIG. 4

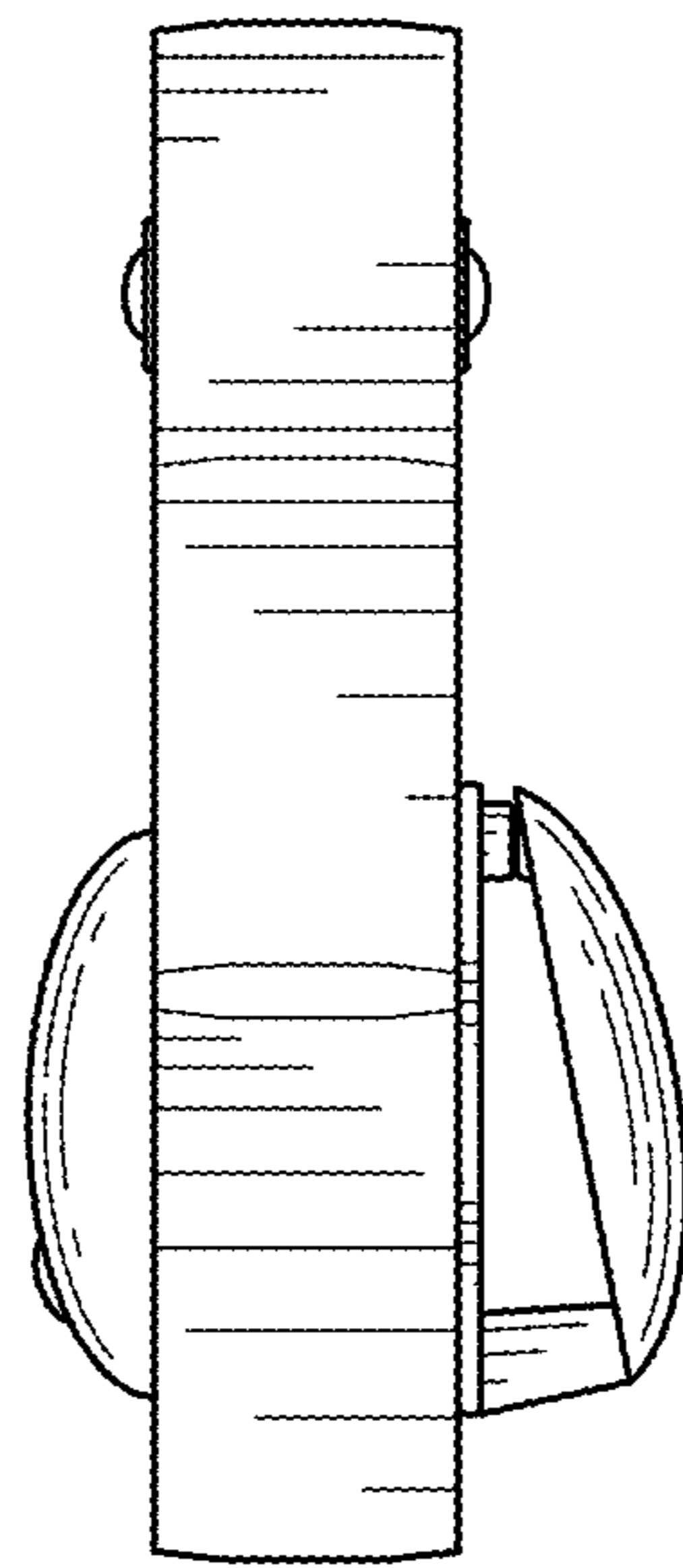


FIG. 5

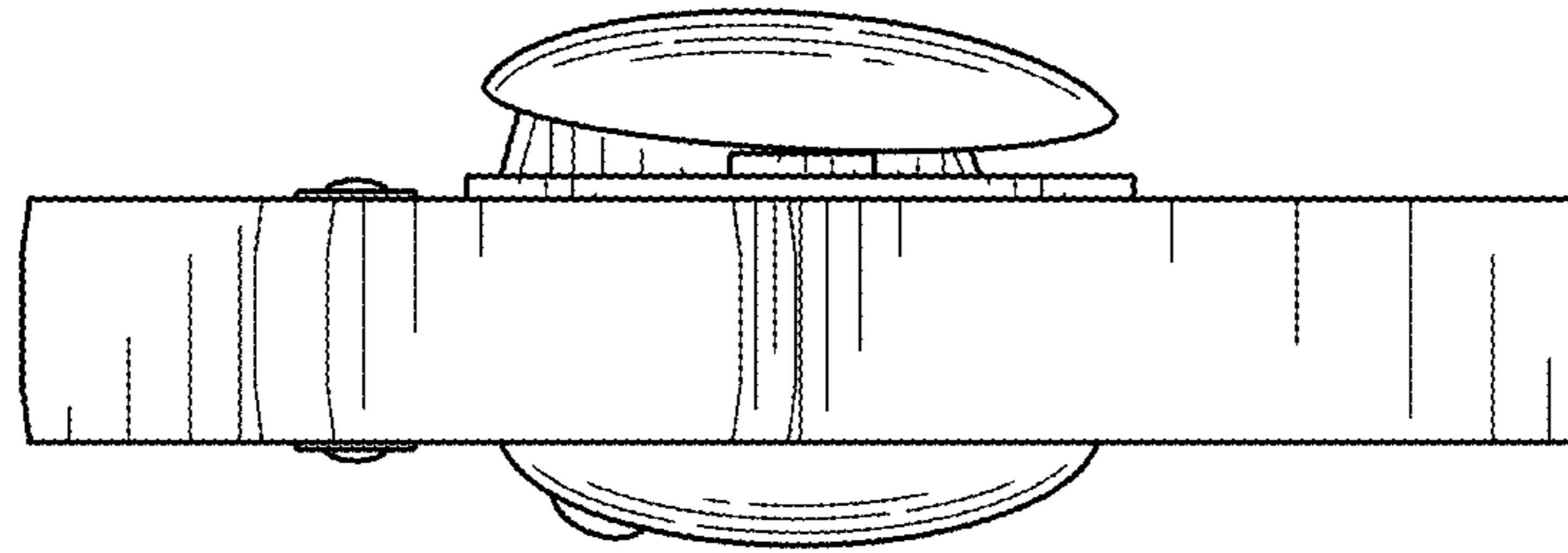


FIG. 6

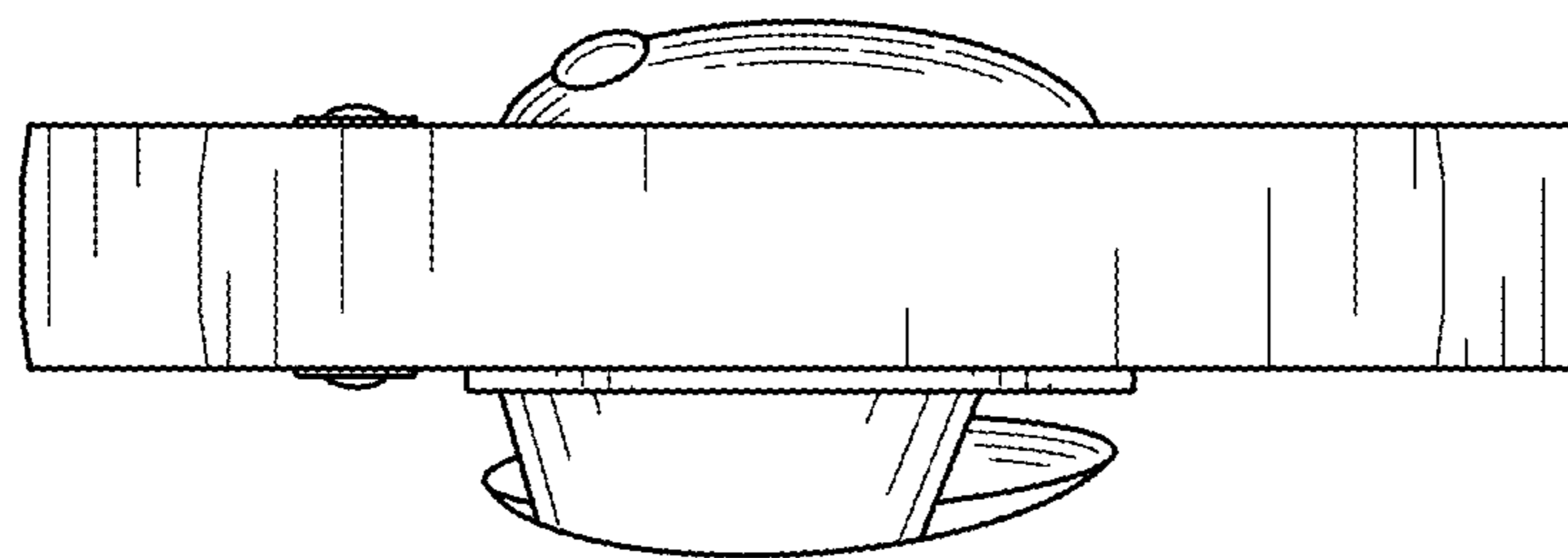


FIG. 7

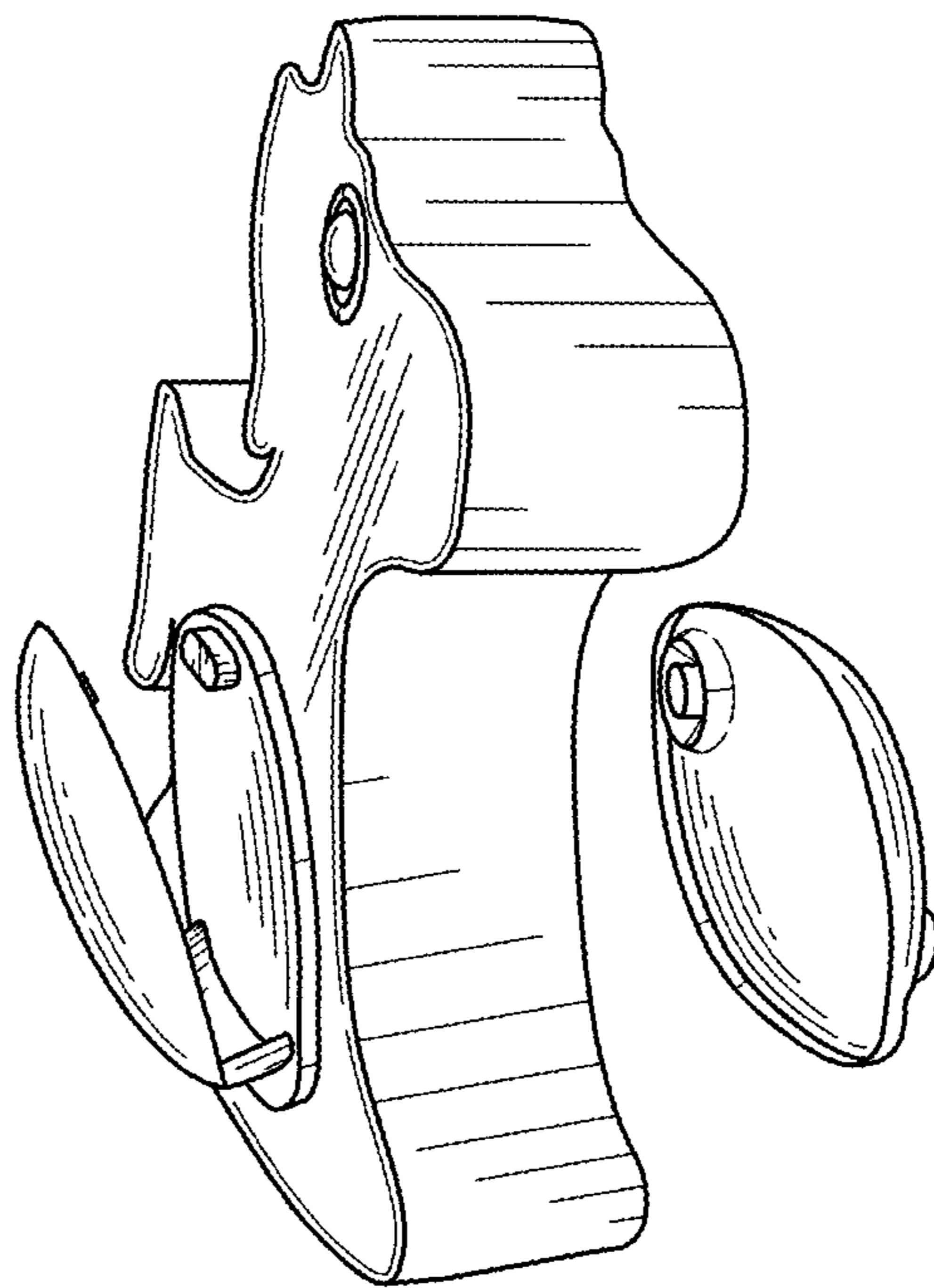


FIG. 8