



US00D961543S

(12) **United States Design Patent**
Rodriguez et al.

(10) **Patent No.:** **US D961,543 S**

(45) **Date of Patent:** **** Aug. 23, 2022**

(54) **PORTION OF A STAND FOR SUPPORTING A SPEAKERPHONE**

FOREIGN PATENT DOCUMENTS

(71) Applicant: **Polycom, Inc.**, San Jose, CA (US)

CN 302672211 S 12/2013
TW D176839 7/2016

(72) Inventors: **Hector Rodriguez**, Austin, TX (US);
Anthony Martin Duys, Merrimac, MA (US);
Yanlin Zhu, Austin, TX (US);
Nathan Yang, Austin, TX (US);
Samuel Alexander Moon, Austin, TX (US);
Nathan Evan Careless, Cedar Park, TX (US)

OTHER PUBLICATIONS

Tehrani, R.; "Grandstream GXV3175 a Solid IP Multimedia Value;"
Communications and Technology Blog; posted Dec. 13, 2010
[retrieved on Jun. 28, 2018] <http://blog.tmcnet.com/blog/rich-tehrani/ip-communications/grandstream-gvx3175-a-solid-ip-multimedia-value.html>.

(73) Assignee: **Polycom, Inc.**, San Jose, CA (US)

(Continued)

(**) Term: **15 Years**

Primary Examiner — Marie D. Fast Horse

(21) Appl. No.: **29/784,049**

(74) *Attorney, Agent, or Firm* — Blank Rome LLP

(22) Filed: **May 17, 2021**

(57) **CLAIM**

Related U.S. Application Data

The ornamental design for a portion of a stand for supporting a speakerphone, as shown and described.

(62) Division of application No. 29/740,174, filed on Jul. 1, 2020, now Pat. No. Des. 922,977, which is a
(Continued)

(51) **LOC (13) Cl.** **14-03**

(52) **U.S. Cl.**
USPC **D14/142; D14/252**

(58) **Field of Classification Search**
USPC ... D14/140, 140.1, 140.7, 140.8, 141.2, 142,
D14/144, 147, 148, 149, 150, 151, 158,
D14/159, 188, 217, 240, 243, 247, 248,
D14/251, 252, 299, 130, 403, 338, 329,
D14/462, 467, 471; D21/517; D24/165
(Continued)

DESCRIPTION

FIG. 1 is a perspective view of a portion of a stand for supporting a speakerphone, showing our new design; FIG. 2 is a rear elevational view thereof, the portion of a stand not being visible in a front elevational view thereof; FIG. 3 is a right side elevational view thereof, the solid line features of the portion of a stand not being visible in a left side elevational view thereof; FIG. 4 is a top plan view thereof; and, FIG. 5 is a bottom plan view thereof. The broken lines consisting of a long dash and a short dash in FIGS. 2-5 depict a boundary of the claimed design and form no part of the claim.

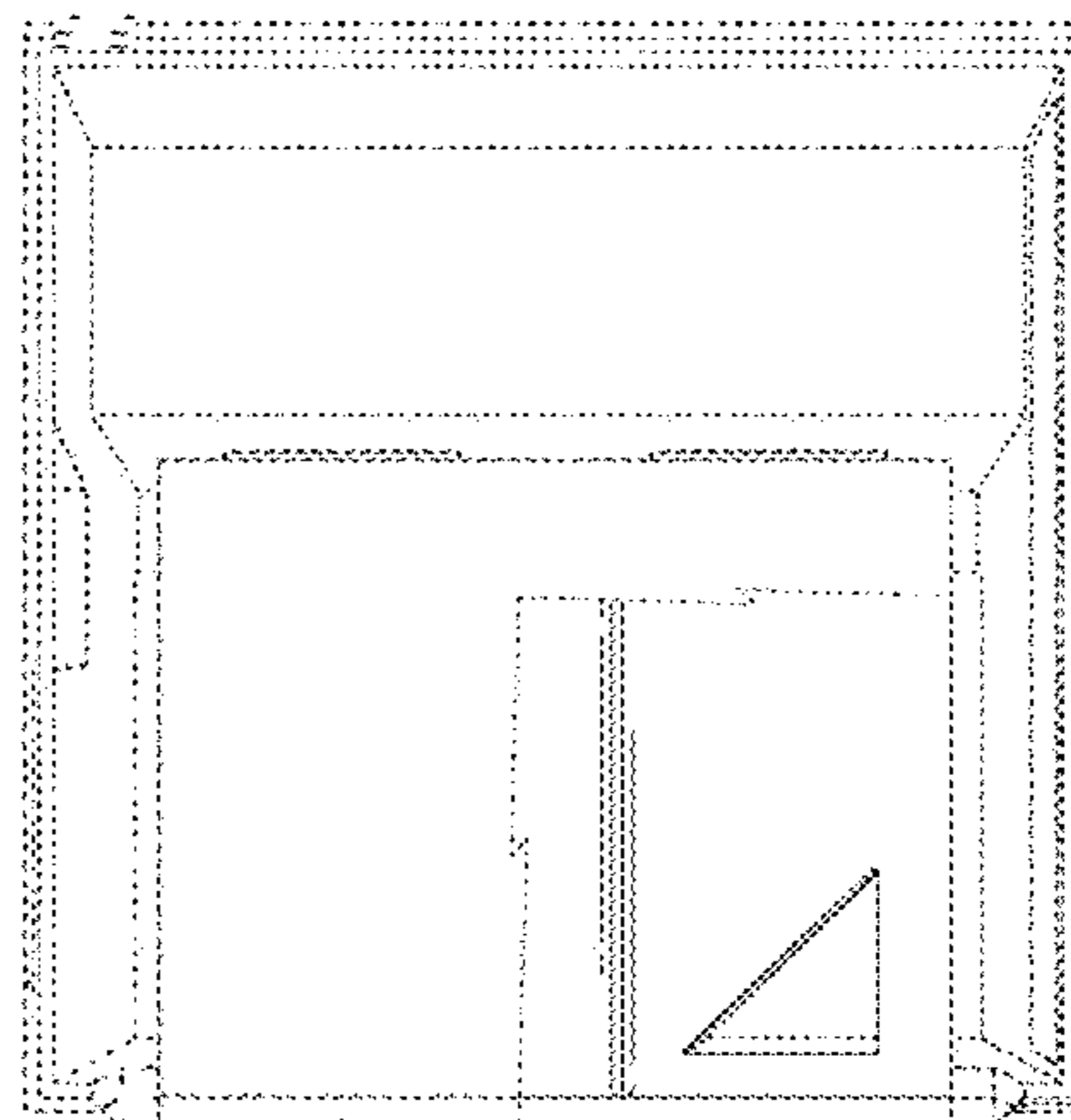
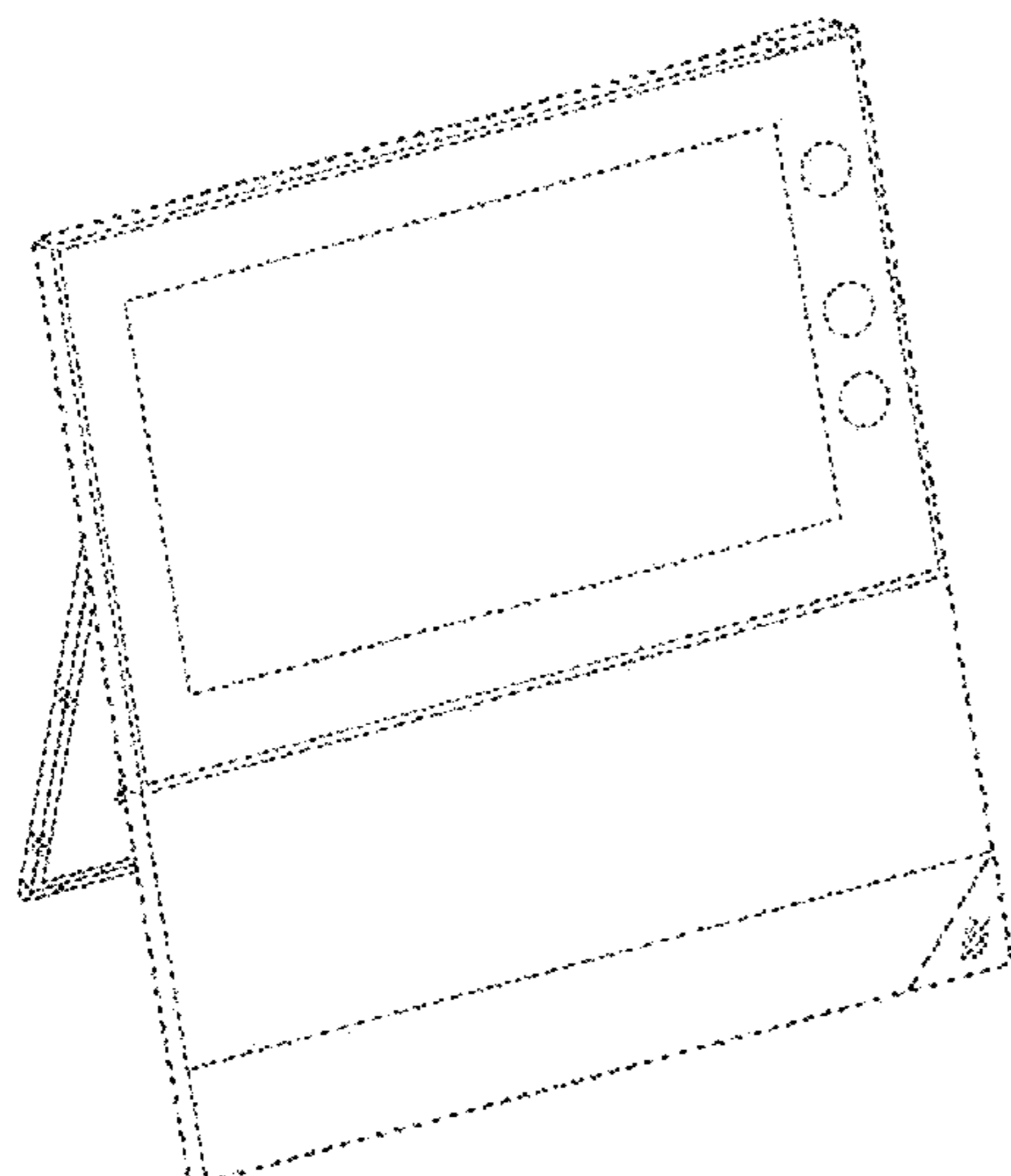
(56) **References Cited**

U.S. PATENT DOCUMENTS

2,541,270 A * 2/1951 Mitnick H04M 1/21
D14/252
D282,024 S * 1/1986 Muranen D6/311
(Continued)

All other broken lines depict portions of a stand and the speakerphone that form no part of the claimed design.

1 Claim, 5 Drawing Sheets



Related U.S. Application Data

division of application No. 29/664,251, filed on Sep. 24, 2018, now Pat. No. Des. 893,443.

(58) **Field of Classification Search**

CPC H04M 1/00; H04M 1/003; H04M 1/02; H04M 1/0289; H04M 1/0297; H04M 1/0214; H04M 1/03; H04M 1/23; H04M 1/253; H04M 1/2535; H04M 7/006

See application file for complete search history.

(56) **References Cited**

U.S. PATENT DOCUMENTS

D291,567 S 8/1987 Read et al.
 D323,657 S 2/1992 Danielson et al.
 D324,036 S 2/1992 Wakasa
 D333,304 S * 2/1993 Taniuchi D14/140
 D346,608 S * 5/1994 Leung D14/251
 D382,265 S 8/1997 Bradley et al.
 D382,266 S 8/1997 Wakefield
 D410,229 S 5/1999 Chiocchi
 D411,987 S 7/1999 Mizusugi et al.
 D419,997 S 2/2000 Montalbo et al.
 D421,606 S 3/2000 Montalbo et al.
 D449,285 S 10/2001 Wakefield et al.
 D449,286 S 10/2001 Wakefield et al.
 D458,269 S * 6/2002 Goto D14/447
 D474,190 S * 5/2003 Goto D14/451
 D478,560 S 8/2003 Misrahi et al.
 D479,517 S 9/2003 Weidinger
 D480,059 S 9/2003 Misrahi et al.
 D503,707 S * 4/2005 Boyer, Jr. D14/239
 D552,071 S 10/2007 Park et al.
 D558,192 S * 12/2007 Daly D14/251
 D571,776 S 6/2008 Duys et al.
 D582,875 S * 12/2008 Haspil D14/138 G
 D584,716 S * 1/2009 Ahlgren D14/214
 D585,397 S 1/2009 Hwang
 D585,398 S * 1/2009 Hwang D14/130
 D596,597 S * 7/2009 Yu D14/130
 D604,258 S 11/2009 Rinaldi et al.
 D615,066 S 5/2010 Huang et al.
 D615,527 S * 5/2010 Hwang D14/203.7
 D620,464 S 7/2010 Quiros et al.
 D620,472 S 7/2010 Robinson et al.
 D629,381 S 12/2010 Verthein et al.
 D629,771 S * 12/2010 Haspil D14/341
 D631,469 S * 1/2011 Demskie D14/218
 D635,955 S 4/2011 Corrigan et al.
 D636,769 S 4/2011 Wood et al.
 D638,836 S * 5/2011 Daniel D14/341
 D639,267 S * 6/2011 DeLorenzo D14/142

D653,646 S 2/2012 Hovdal
 D654,074 S 2/2012 Wood et al.
 D657,773 S 4/2012 Corsini et al.
 D658,616 S 5/2012 Van Der Flier et al.
 D658,627 S 5/2012 Katori
 D668,901 S 10/2012 Jones et al.
 D675,592 S 2/2013 Fuxen
 D681,642 S * 5/2013 Meadows D14/447
 D681,644 S * 5/2013 Meadows D14/447
 D686,184 S 7/2013 Takahata et al.
 D714,258 S 9/2014 Montague et al.
 D725,623 S 3/2015 Hartmann et al.
 D728,580 S * 5/2015 Campbell D14/447
 D733,126 S * 6/2015 Sung D14/341
 D733,127 S * 6/2015 Sung D14/341
 D744,464 S 12/2015 Snyder et al.
 D749,070 S * 2/2016 Oh D14/341
 D750,066 S * 2/2016 Lin D14/371
 D757,677 S 5/2016 Hutt et al.
 D760,201 S 6/2016 Tompkin et al.
 D763,219 S 8/2016 Engelke et al.
 D770,436 S * 11/2016 Schwarz D14/251
 D770,438 S * 11/2016 Schwarz D14/251
 D784,283 S 4/2017 Snyder et al.
 D784,542 S * 4/2017 Zwierstra D24/186
 D794,596 S 8/2017 Holm et al.
 D818,723 S * 5/2018 Moyer D6/310
 D820,830 S * 6/2018 Lee D14/341
 D826,930 S * 8/2018 Iida D14/341
 D840,997 S * 2/2019 Chen D14/253
 D893,443 S * 8/2020 Rodriguez D14/150
 D917,465 S * 4/2021 Zhang D14/341
 D922,977 S * 6/2021 Rodriguez D14/142
 D936,461 S * 11/2021 Zhang D8/355
 2009/0152432 A1 * 6/2009 Kunii F16M 11/10
 248/398

OTHER PUBLICATIONS

Taiwanese Allowance and Search Report received in co-pending TW Application No. 108301459 dated Jan. 10, 2020, 5 pages (with translation).
 Notice of Allowance—Search Report received in copending Taiwanese DIV Application No. 108307792 dated Apr. 7, 2020, 5 pages (with translation).
 Notice of Allowance—Search Report received in copending Taiwanese DIV Application No. 108307793 dated Apr. 7, 2020, 5 pages (with translation).
 Notice of Allowance—Search Report received in copending Taiwanese DIV Application No. 108307794 dated Apr. 8, 2020, 5 pages (with translation).

* cited by examiner

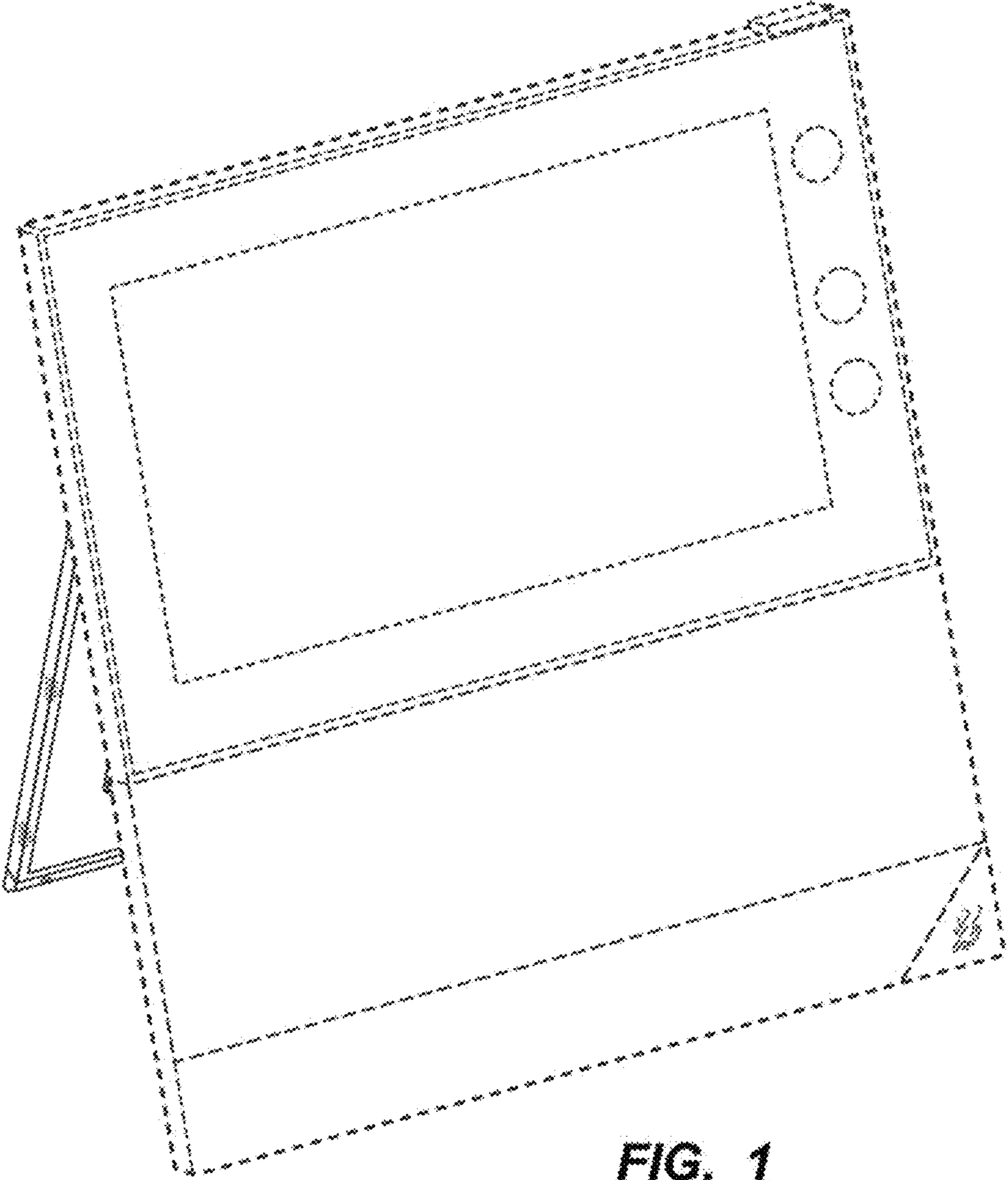


FIG. 1

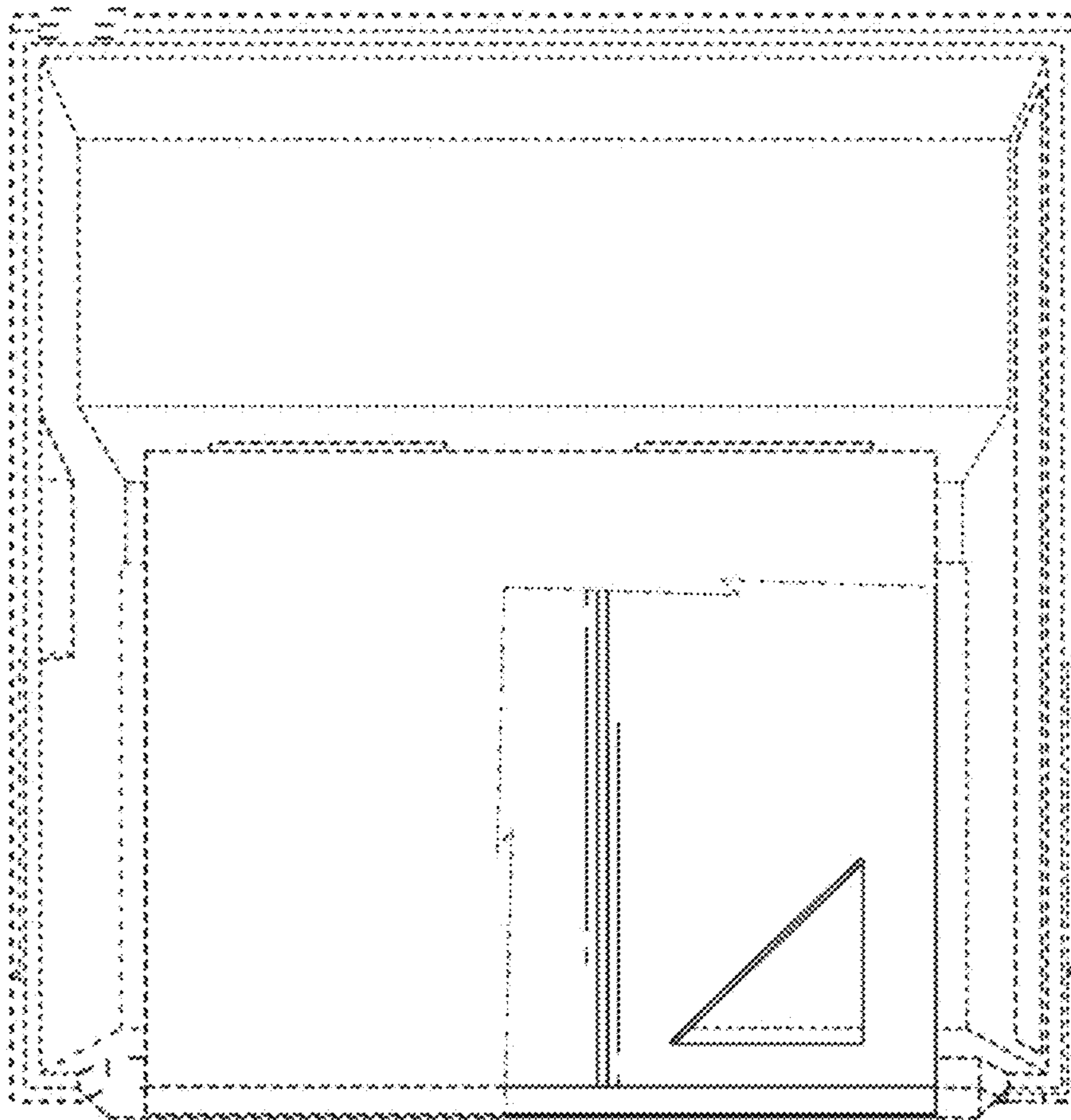


FIG. 2

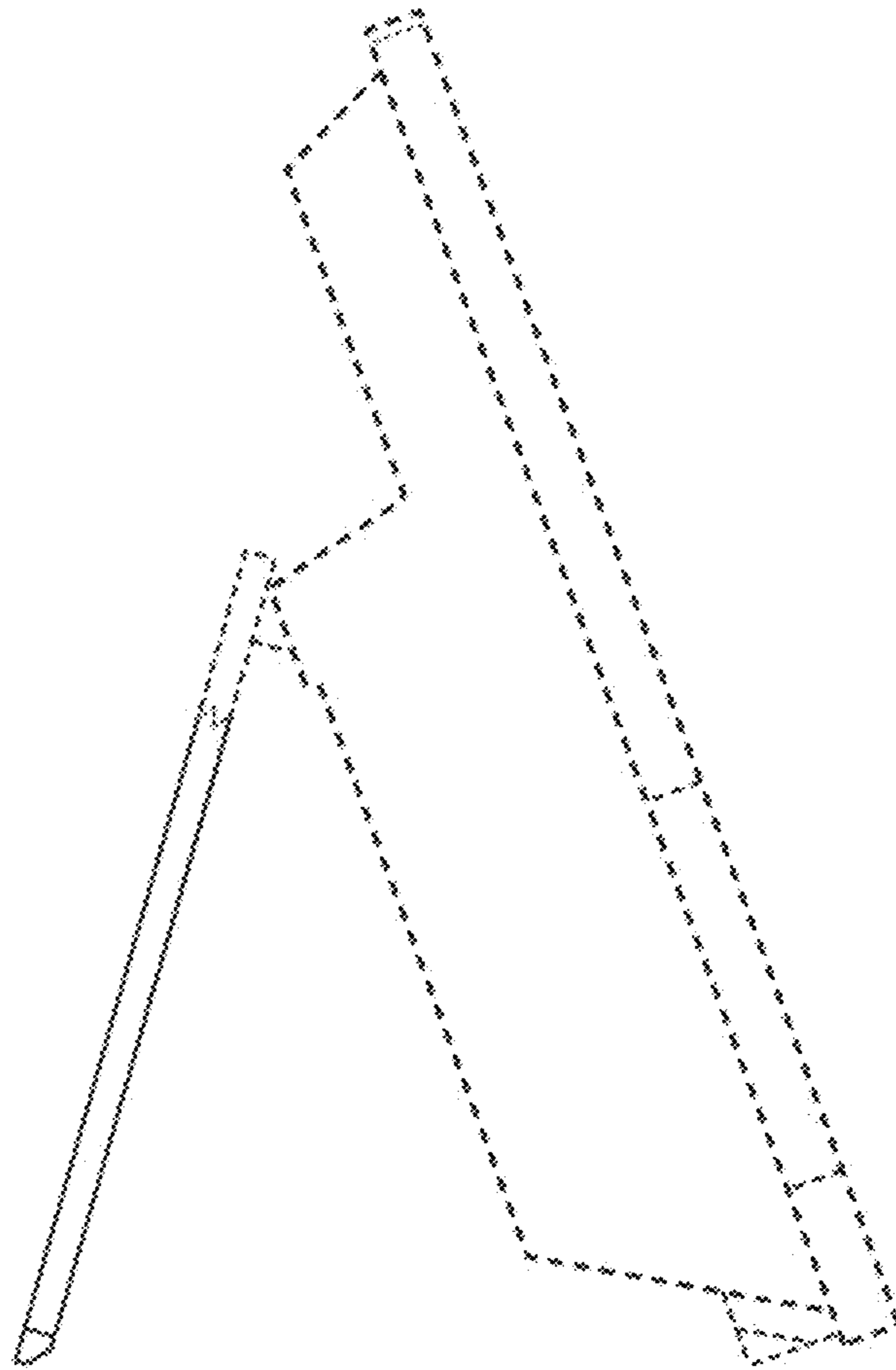


FIG. 3

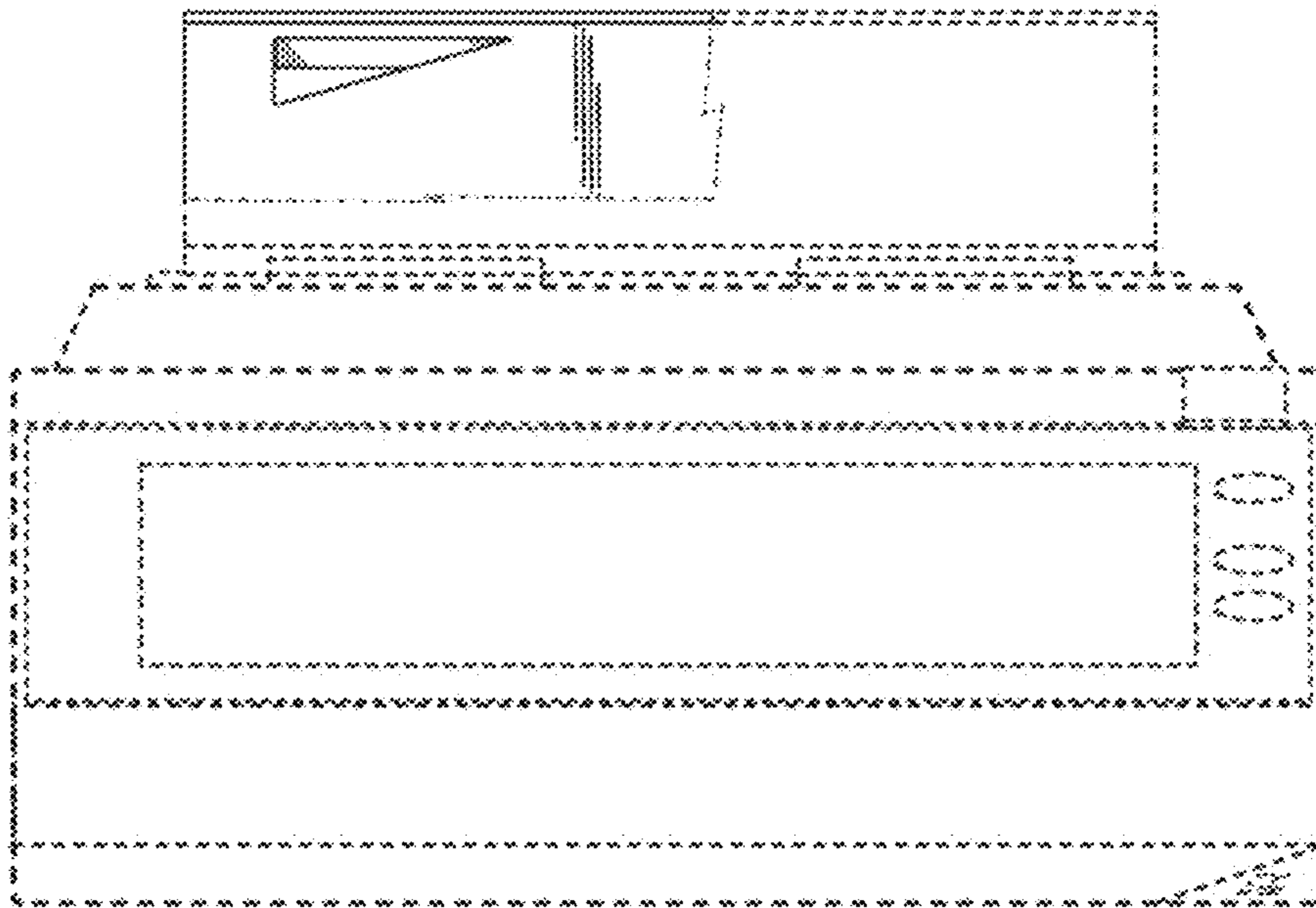


FIG. 4

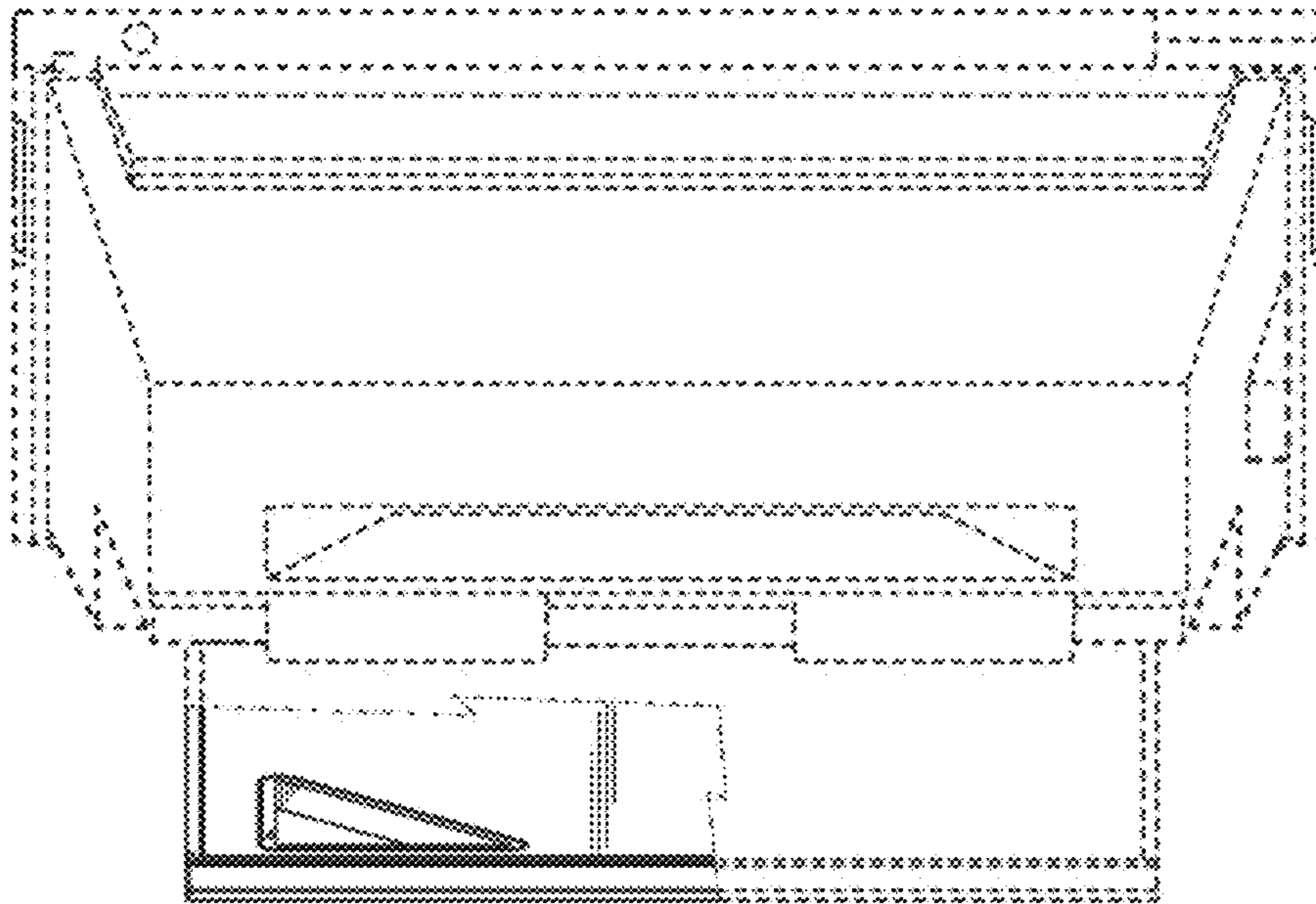


FIG. 5