



US00D961539S

(12) **United States Design Patent** (10) **Patent No.:** **US D961,539 S**
Bailey et al. (45) **Date of Patent:** **** Aug. 23, 2022**

(54) **VIDEOCONFERENCE DEVICE**

- (71) Applicant: **Plantronics, Inc.**, Santa Cruz, CA (US)
- (72) Inventors: **Chase Patrick Bailey**, Santa Cruz, CA (US); **Bowman Wang**, Corralitos, CA (US); **Nicholas W. Paterson**, Aptos, CA (US); **John A. Kelley**, Santa Cruz, CA (US); **David Kim**, Santa Cruz, CA (US); **Jeremy Jacob D'Ambrosio**, Scotts Valley, CA (US)
- (73) Assignee: **Plantronics, Inc.**, Santa Cruz, CA (US)
- (**) Term: **15 Years**
- (21) Appl. No.: **29/805,200**
- (22) Filed: **Aug. 25, 2021**

Related U.S. Application Data

- (62) Division of application No. 29/798,155, filed on Jul. 6, 2021, now Pat. No. Des. 937,798, which is a (Continued)
- (51) **LOC (13) Cl.** **14-03**
- (52) **U.S. Cl.**
USPC **D14/130; D16/208**
- (58) **Field of Classification Search**
USPC D14/496, 125, 128, 129, 130, 140, 142, D14/149, 159, 168, 204, 214, 225, 226, (Continued)

(56) **References Cited**

U.S. PATENT DOCUMENTS

- D193,271 S 7/1962 Noyes
 - D400,549 S 11/1998 Wakefield
- (Continued)

FOREIGN PATENT DOCUMENTS

EM 005125515-0002 * 8/2018

OTHER PUBLICATIONS

Poly Studio P15 Professional Video Sound Bar Bundle. (online) 8 pgs. Available Oct. 8, 2020. [Retrieved Apr. 4, 2022] https://www.amazon.com/Bundle-Studio-Professional-Video-Sound/dp/B08XYJGZ8J?ref_=ast_sto_dp.*

Primary Examiner — Marie D. Fast Horse

(74) *Attorney, Agent, or Firm* — Blank Rome LLP

(57) **CLAIM**

The ornamental design for a videoconference device, as shown and described.

DESCRIPTION

FIG. 1 is a perspective view of a videoconference device, showing our new design having sides of indeterminate length;

FIG. 2 is a front elevational view thereof;

FIG. 3 is a rear elevational view thereof;

FIG. 4 is a top plan view thereof;

FIG. 5 is a bottom plan view thereof;

FIG. 6 is a right side elevational view thereof;

FIG. 7 is a left side elevational view thereof;

FIG. 8 is another front elevational view thereof, shown mounted on an environmental stand and in a state of use with illumination along the upper edge visor;

FIG. 9 is another right side elevational view thereof, shown mounted on an environmental stand and in a state of use with illumination along the upper edge visor;

FIG. 10 is another front elevational view thereof, optionally mounted above a screen; and,

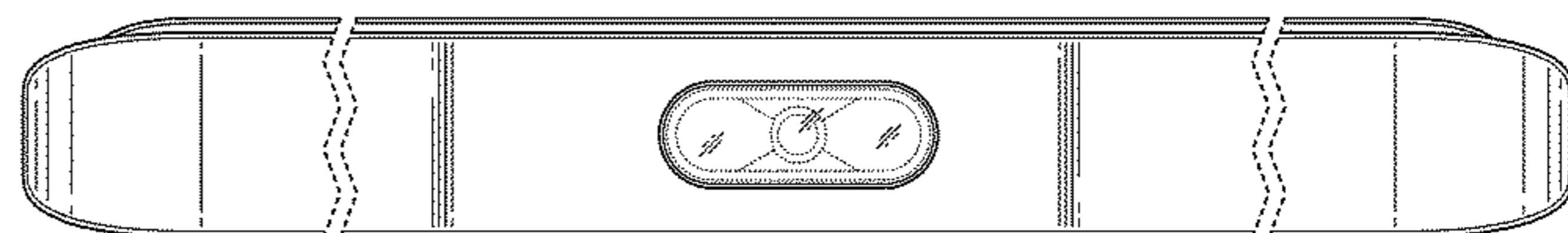
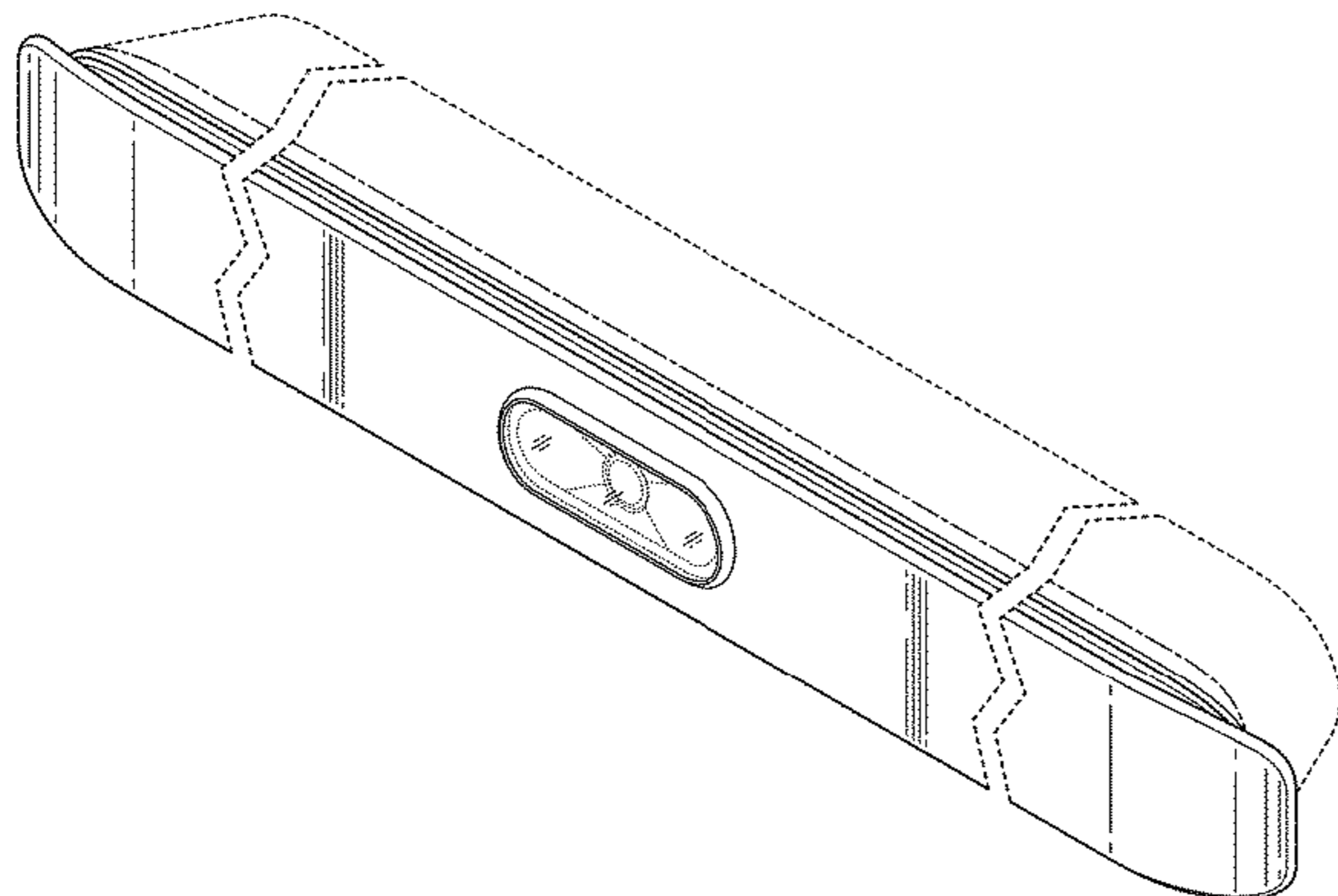
FIG. 11 is yet another front elevational view thereof, optionally mounted below a screen.

The oblique lines inside the bezel of FIGS. 1-2, 8, and 10-11 depict a transparent covering of the camera lens.

The broken lines consisting of long and short dashes depicted in FIGS. 1, 3-7, and 9 represent an unclaimed boundaries of the claimed design.

The pairs of jagged broken lines depicted in FIGS. 1-5, 8, and 10-11 show a symbolic break in length. Any portions of the article between such pairs of jagged lines form no part of the claimed design.

(Continued)



The short lines emanating from the upper edge visor seen in FIGS. 8 and 9 depict an illuminated state of use that applies to an embodiment of the claimed design.

The long dashed broken lines seen in FIGS. 8, 9, 10, and 11 showing the stand and screen depict environmental subject matter only and form no part of the claim, while all other short dashed broken lines depict portions of the videoconferencing device that form no part of the claimed design.

1 Claim, 6 Drawing Sheets

Related U.S. Application Data

division of application No. 29/709,231, filed on Oct. 11, 2019, now Pat. No. Des. 927,441.

(58) **Field of Classification Search**

USPC D14/240, 242, 299; D16/200, 202, 203, D16/208, 218, 219, 221, 230, 232, 235, D16/237; D10/104.1, 106.6

CPC H04N 7/141; H04N 7/142; H04N 7/147; H04N 7/148; H04N 7/15; H04N 7/152; H04N 5/23248

See application file for complete search history.

(56) **References Cited**

U.S. PATENT DOCUMENTS

D441,000 S 4/2001 Vanderwilt et al.
 D470,873 S 2/2003 Hovanky et al.
 D471,219 S 3/2003 Hovanky et al.
 D471,573 S 3/2003 Hovanky et al.
 D535,676 S 1/2007 Dayan
 D615,888 S 5/2010 Ikeda et al.
 D616,403 S 5/2010 Roed et al.
 D619,485 S 7/2010 Ikeda et al.
 D654,942 S 2/2012 Khamsepoor et al.
 D655,690 S 3/2012 Yagi
 D664,579 S 7/2012 Tzeng
 D665,439 S 8/2012 Khamsepoor et al.
 D665,441 S 8/2012 McManigal
 D666,163 S 8/2012 Hsu
 D669,111 S 10/2012 Ravi et al.
 D669,883 S 10/2012 Cheng
 D669,884 S 10/2012 Hou

D671,909 S 12/2012 Choi
 D674,430 S 1/2013 Inoue
 D675,660 S 2/2013 Su
 D676,829 S 2/2013 Kaneko
 D680,569 S 4/2013 Lee et al.
 D682,332 S 5/2013 Wang et al.
 D685,015 S 6/2013 Wang et al.
 D687,082 S 7/2013 Wang et al.
 D692,858 S 11/2013 Millora et al.
 D703,194 S 4/2014 Jacobs et al.
 D709,481 S 7/2014 Liu
 D715,769 S 10/2014 McManigal
 D716,360 S 10/2014 Schechter
 D734,804 S 7/2015 Chung
 D735,150 S 7/2015 Baldwin et al.
 D750,601 S 3/2016 Williams et al.
 D750,681 S 3/2016 Takami
 D759,621 S 6/2016 Maxwell et al.
 D759,630 S 6/2016 Huang
 D788,725 S 6/2017 Thompkin et al.
 D803,174 S 11/2017 Coffey et al.
 D803,805 S 11/2017 Coffey et al.
 D806,055 S 12/2017 Fischer et al.
 D826,213 S 8/2018 Kim et al.
 D827,596 S 9/2018 Hou
 D836,581 S 12/2018 Andresen et al.
 D851,633 S 6/2019 Nakano et al.
 D852,774 S 7/2019 Sugiura
 D853,356 S 7/2019 Werle et al.
 D861,640 S 10/2019 Werle et al.
 D861,642 S 10/2019 Werle et al.
 D865,029 S 10/2019 Fook
 D865,839 S 11/2019 Hasegawa et al.
 D896,195 S 9/2020 Zhang et al.
 D905,778 S 12/2020 Lenz et al.
 D906,278 S 12/2020 Laine et al.
 D908,156 S 1/2021 Michaelian et al.
 D909,446 S 2/2021 Ross et al.
 D912,717 S 3/2021 Russo et al.
 D927,441 S * 8/2021 Bailey D14/130
 D928,107 S * 8/2021 Wang D14/130
 D929,482 S * 8/2021 Livaudais D16/202
 D932,534 S * 10/2021 Su D16/202
 D937,798 S * 12/2021 Bailey D14/130
 D938,380 S * 12/2021 Wang D14/130
 D940,673 S * 1/2022 Andresen D14/130
 D940,776 S * 1/2022 Gartrell D16/202
 D940,777 S * 1/2022 Gartrell D16/202
 D946,545 S * 3/2022 Andresen D14/130
 2022/0006974 A1 * 1/2022 Wang H04N 7/147

* cited by examiner

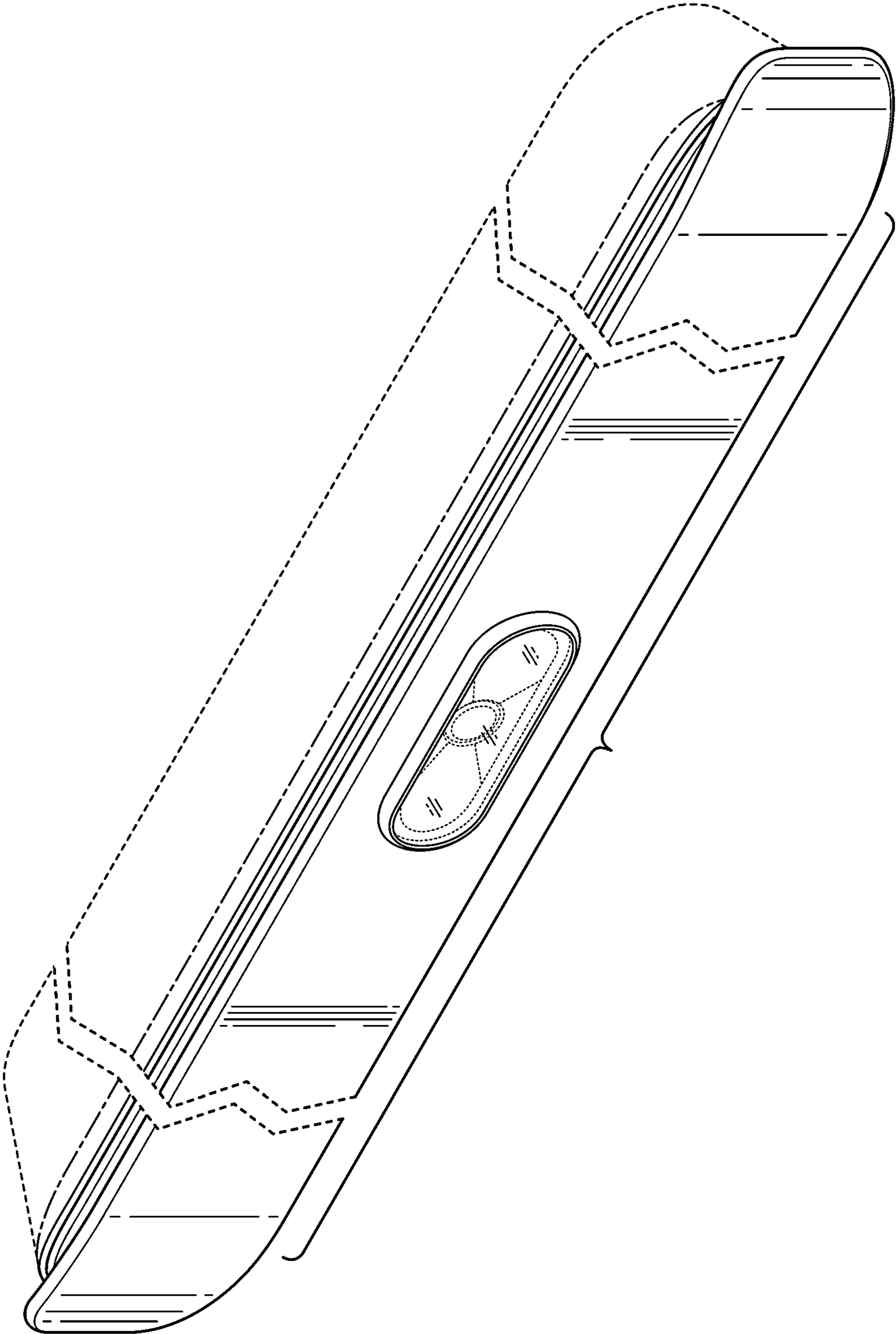


FIG. 1

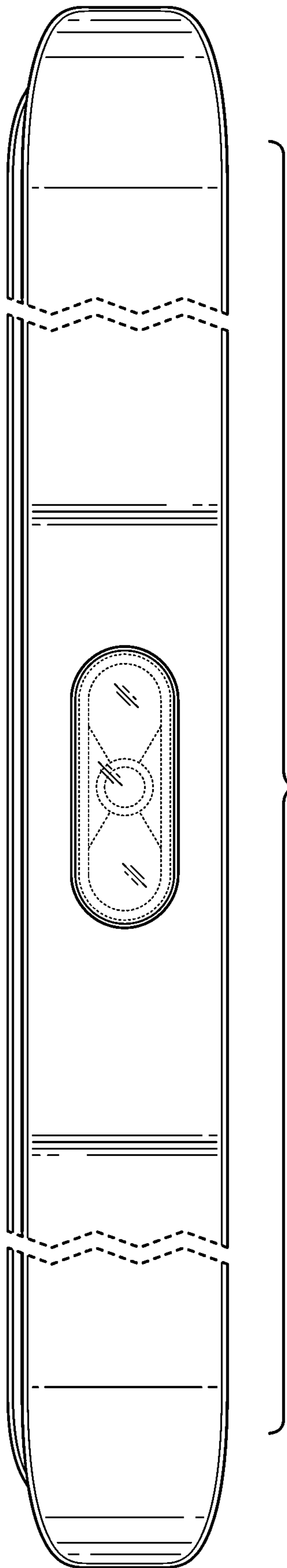


FIG. 2

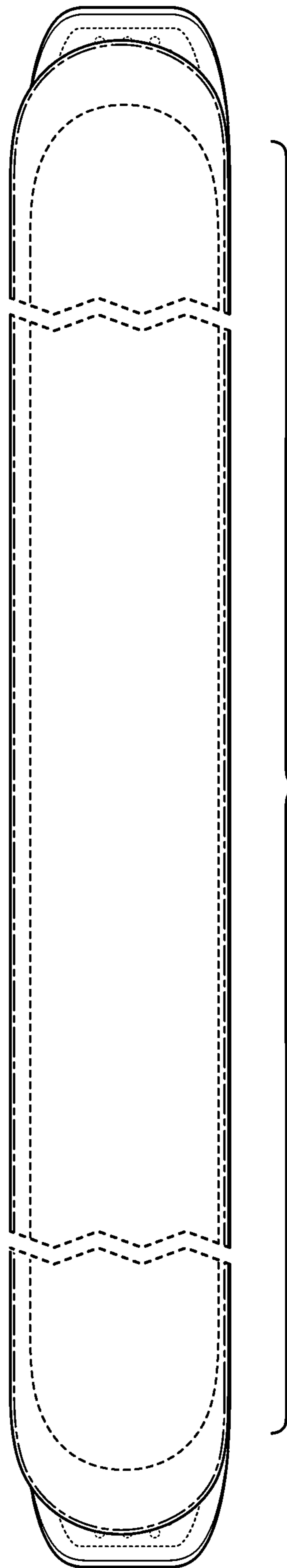


FIG. 3

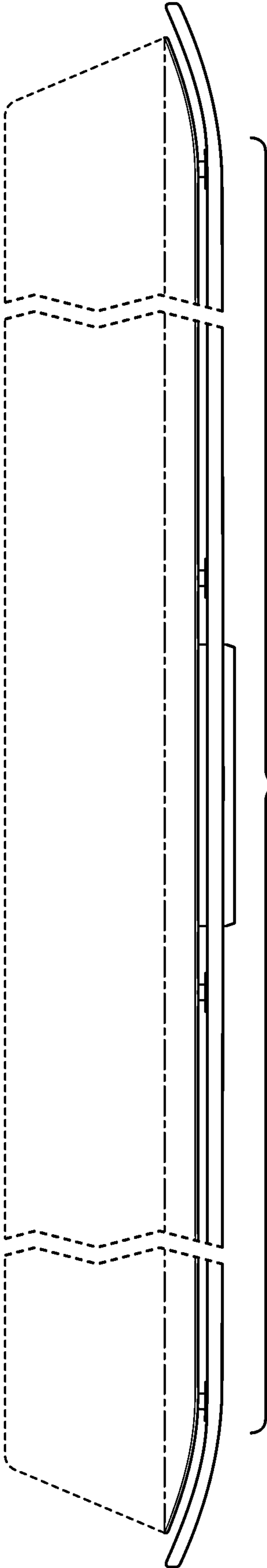


FIG. 4

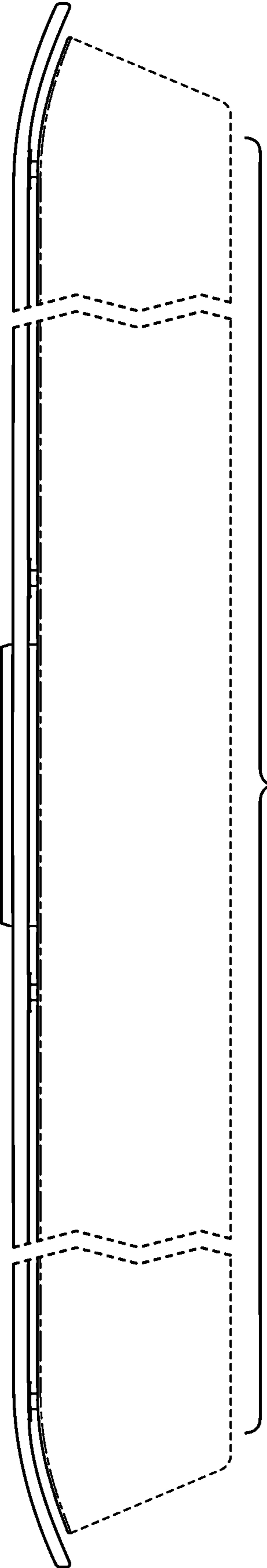


FIG. 5

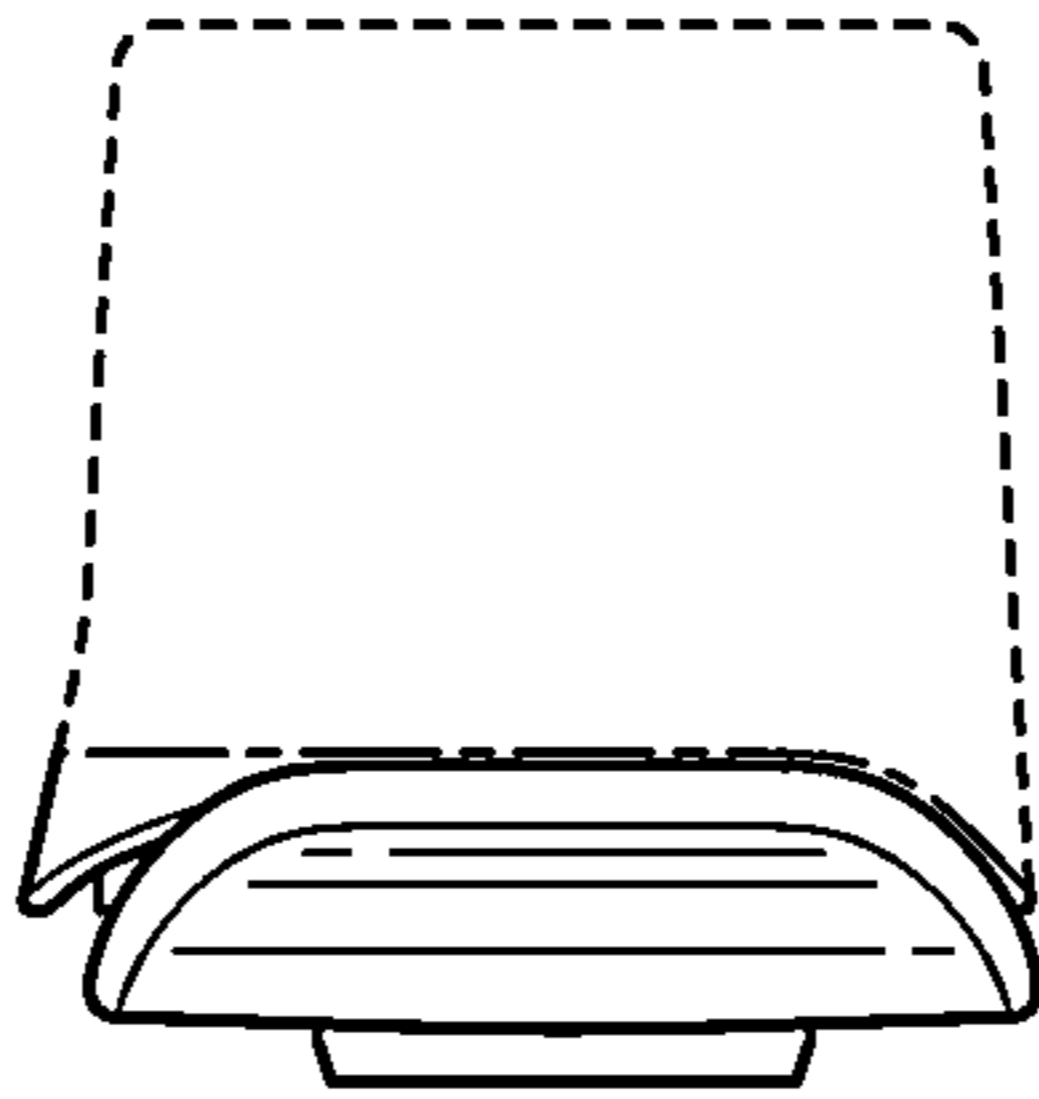


FIG. 7

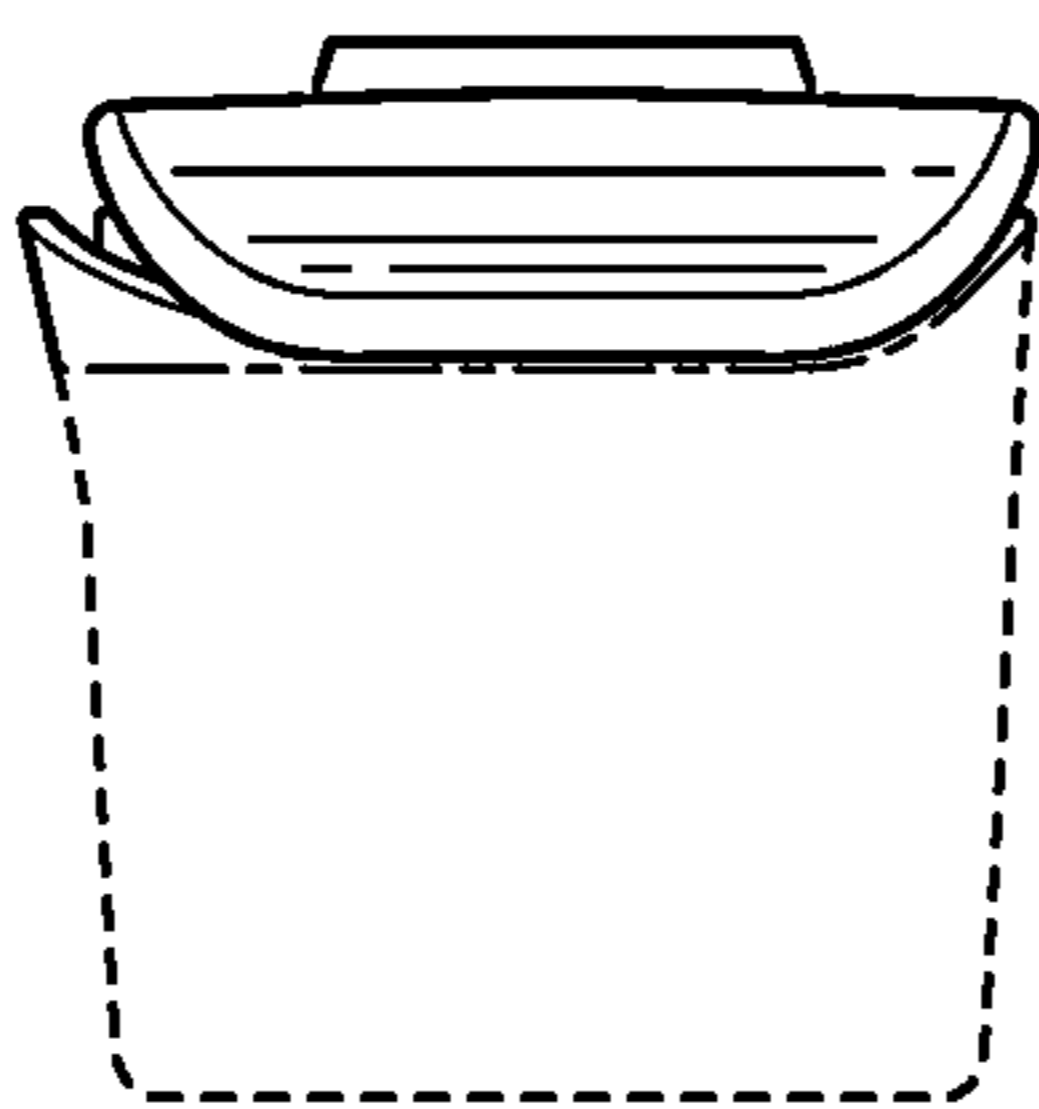


FIG. 6

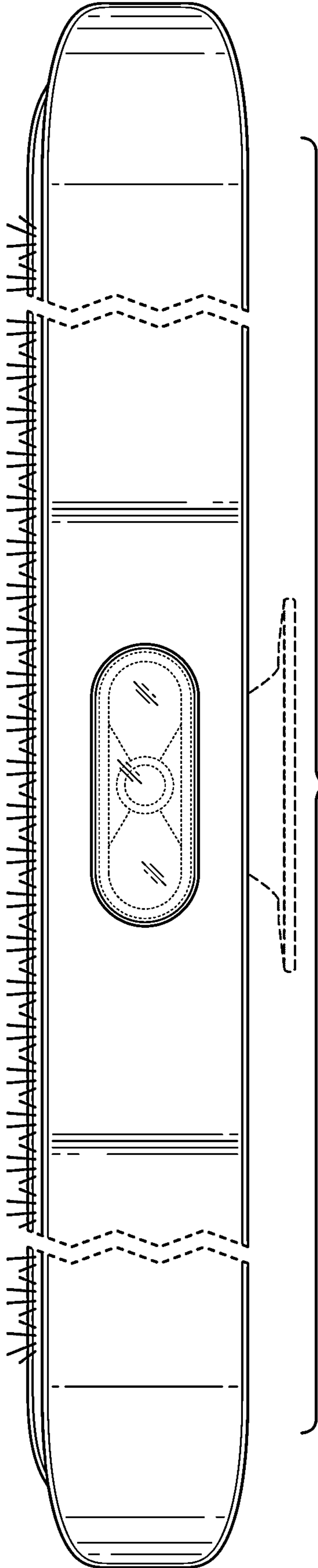


FIG. 8

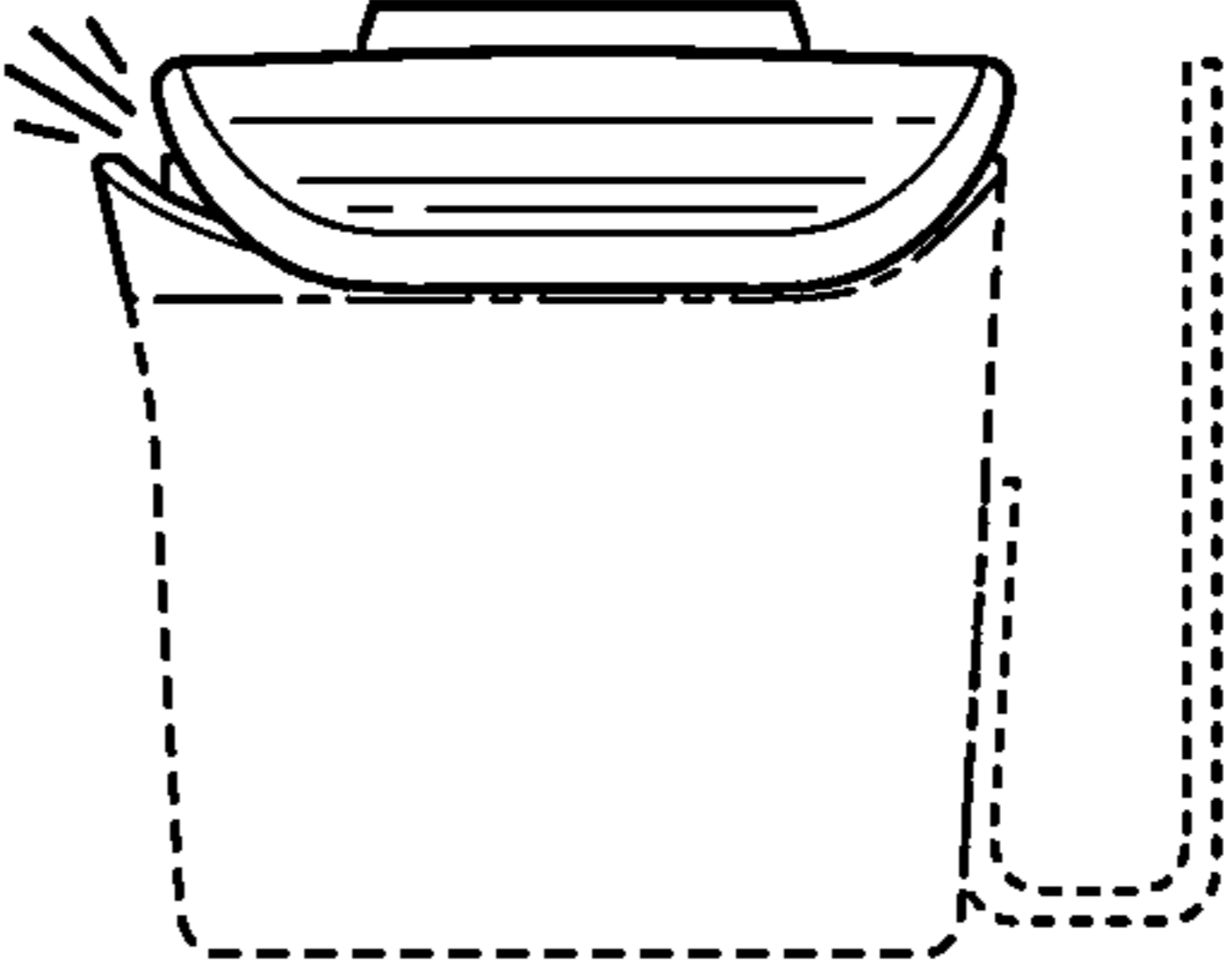


FIG. 9

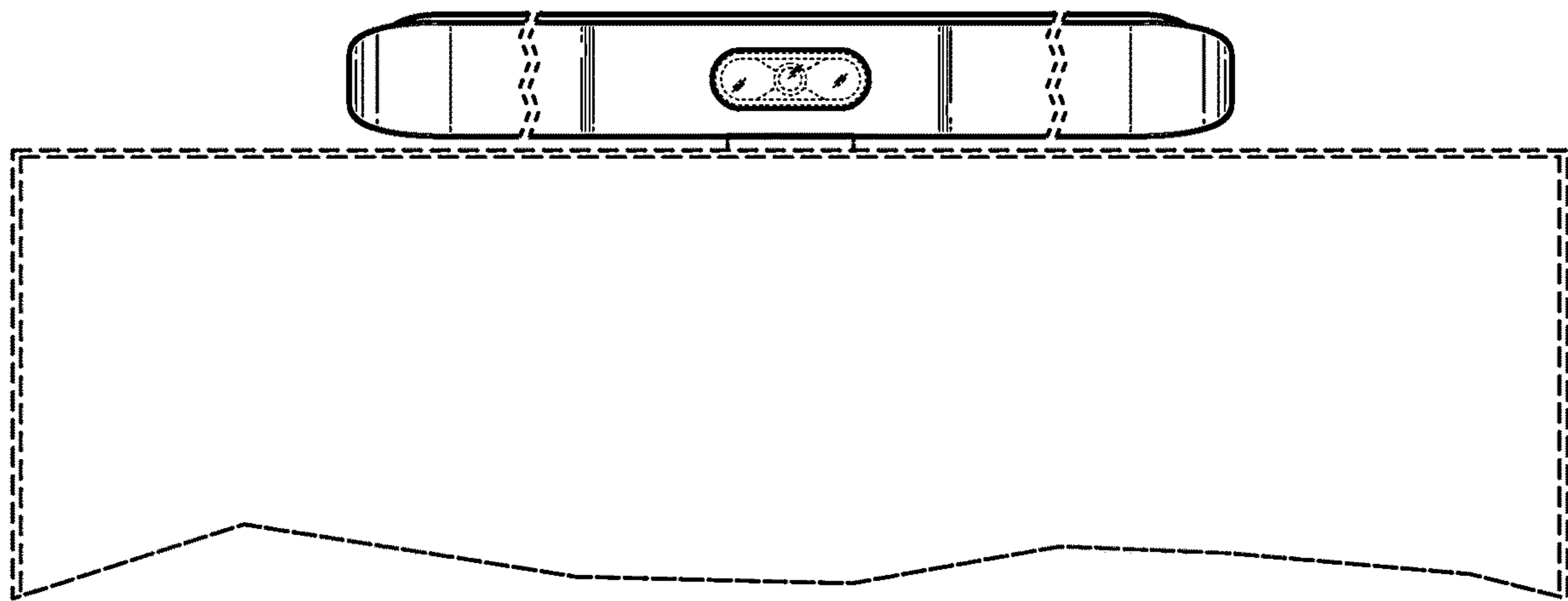


FIG. 10

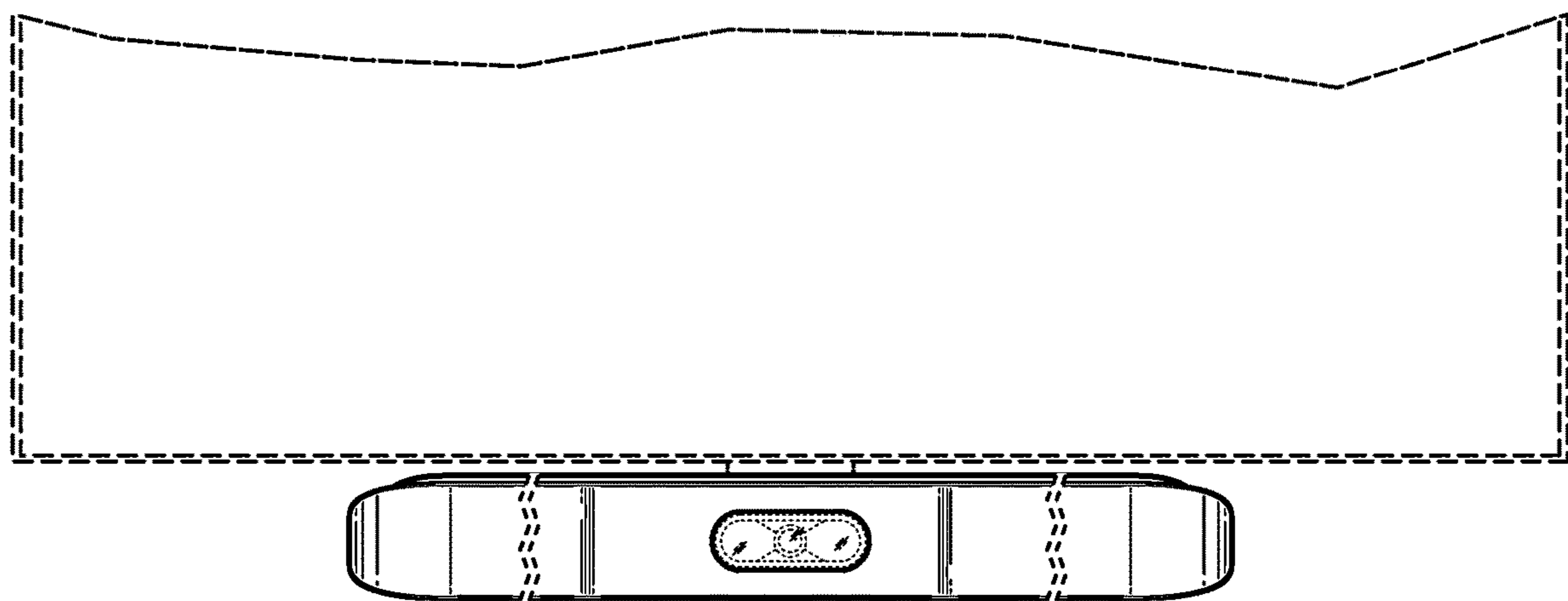


FIG. 11