



US00D961537S

(12) **United States Design Patent**
Lim et al.

(10) **Patent No.:** **US D961,537 S**

(45) **Date of Patent:** **** Aug. 23, 2022**

(54) **TELEVISION RECEIVER**

(71) Applicant: **Samsung Electronics Co., Ltd.**,
Suwon-si (KR)

(72) Inventors: **Jihae Lim**, Suwon-si (KR); **Soyon You**,
Suwon-si (KR); **Eunah Kim**, Suwon-si
(KR); **Chulyong Cho**, Suwon-si (KR);
Chanhee Han, Suwon-si (KR)

(73) Assignee: **Samsung Electronics Co., Ltd.**,
Suwon-si (KR)

(**) Term: **15 Years**

(21) Appl. No.: **29/738,606**

(22) Filed: **Jun. 18, 2020**

(30) **Foreign Application Priority Data**

Dec. 27, 2019 (KR) 30-2019-0063467

(51) **LOC (13) Cl.** **14-03**

(52) **U.S. Cl.**
USPC **D14/126; D14/129**

(58) **Field of Classification Search**
USPC D14/125–129, 132, 133, 203.8, 239,
D14/305–307, 314–316, 335, 336, 340,
(Continued)

(56) **References Cited**

U.S. PATENT DOCUMENTS

D637,567 S * 5/2011 Kim D14/126
D648,335 S * 11/2011 Shiono D14/374
(Continued)

FOREIGN PATENT DOCUMENTS

KR 30-2013-0000723 2/2014
KR 30-2014-0000757 9/2014
(Continued)

OTHER PUBLICATIONS

“Samsung My Shelf . . .”, first available Mar. 2, 2021, allhomecinema.com, [online], [site visited Apr. 6, 2022], Available from internet

URL: <https://allhomecinema.com/samsung-my-shelf-a-stylish-shelf-for-the-frame-television/?id=34820364240> (Year: 2021).*

(Continued)

Primary Examiner — Christian P. McLean
Assistant Examiner — Kourosch Taie-Tehrani
(74) *Attorney, Agent, or Firm* — NSIP Law

(57) **CLAIM**

We claim the ornamental design for a television receiver, as shown and described.

DESCRIPTION

FIG. 1 is a front perspective view of a first embodiment of a television receiver showing our new design;
FIG. 2 is a front view thereof;
FIG. 3 is a rear view thereof;
FIG. 4 is a left-side view thereof;
FIG. 5 is a right-side view thereof;
FIG. 6 is a top view thereof;
FIG. 7 is a bottom view thereof;
FIG. 8 is a rear perspective view thereof;
FIG. 9 is an enlarged view of the encircled portion 9 in FIG. 1;
FIG. 10 is an enlarged view of the encircled portion 10 in FIG. 1;
FIG. 11 is a front perspective view of a second embodiment of a television receiver showing our new design;
FIG. 12 is a front view thereof;
FIG. 13 is a rear view thereof;
FIG. 14 is a left-side view thereof;
FIG. 15 is a right-side view thereof;
FIG. 16 is a top view thereof;
FIG. 17 is a bottom view thereof;
FIG. 18 is a rear perspective view thereof;
FIG. 19 is an enlarged view of the encircled portion 19 in FIG. 11;
FIG. 20 is an enlarged view of the encircled portion 20 in FIG. 11;

(Continued)

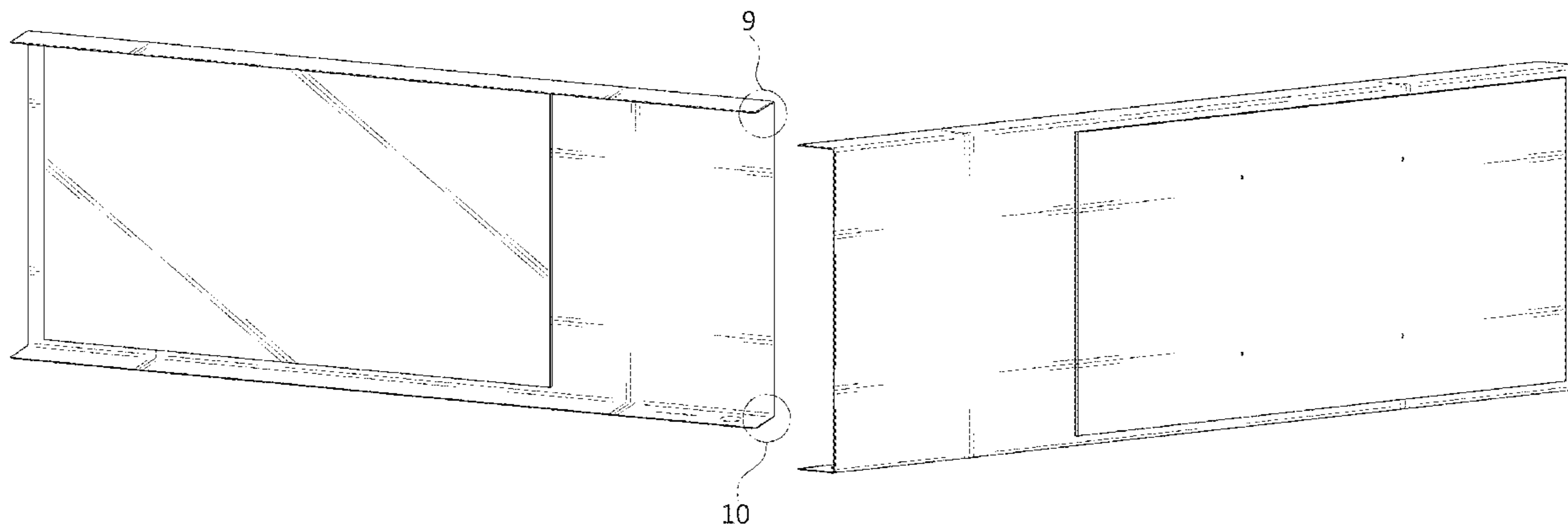


FIG. 21 is a front perspective view of a third embodiment of a television receiver showing our new design;
 FIG. 22 is a front view thereof;
 FIG. 23 is a rear view thereof;
 FIG. 24 is a left-side view thereof;
 FIG. 25 is a right-side view thereof;
 FIG. 26 is a top view thereof;
 FIG. 27 is a bottom view thereof;
 FIG. 28 is a rear perspective view thereof;
 FIG. 29 is an enlarged view of the encircled portion 29 in FIG. 21;
 FIG. 30 is an enlarged view of the encircled portion 30 in FIG. 21;
 FIG. 31 is a front view of the television receiver in FIG. 2 showing an example state of use; and,
 FIG. 32 is a front perspective view of the television receiver in FIG. 1 showing an example state of use.
 The short dash-dash broken lines in the figures showing portions of the television receiver form no part of the claimed design.
 The short dash-dash broken lines illustrating the flowerpot and the vase in FIG. 31 and the shelf in FIG. 32 are environment that form no part of the claimed design.
 The dot-dash broken lines encircling portions of the claimed design that are illustrated in enlargements form no part of the claimed design.

1 Claim, 32 Drawing Sheets

(58) **Field of Classification Search**

USPC D14/371-377, 382, 447-451, 900, 902;
 D6/663, 672, 673, 675.1, 705; D16/241;
 D18/4.5-4.6; D20/10, 17, 18, 19, 21, 27,
 D20/39, 41, 42, 990; D21/329, 332, 515;
 D24/160, 167, 186; D25/60, 61
 CPC G09F 9/301; G06F 1/1656; G06F 1/1652;
 G06F 1/1626; G06F 1/1637; G06F
 1/1601; G06F 1/1605; G06F 1/162; H04N
 7/00; H04N 7/002; H04N 7/015; H04N
 7/18; H04N 11/00; H04N 11/24; H04N
 5/00; H04N 1/00283; H04N 9/00; A47F
 5/00; A47F 5/005; A47F 5/0815; A47F
 5/0846; A47G 1/141

See application file for complete search history.

(56) **References Cited**

U.S. PATENT DOCUMENTS

D710,847 S * 8/2014 Ozolins D14/371
 D715,756 S * 10/2014 Lim D14/126
 D717,753 S * 11/2014 Totsuka D14/126
 D717,756 S * 11/2014 Park D14/126
 D736,169 S * 8/2015 Kim D14/126

D741,276 S * 10/2015 Shin D14/126
 D755,139 S * 5/2016 Kim D14/126
 D757,671 S * 5/2016 Bouroullec D14/126
 D772,829 S * 11/2016 Han D14/126
 9,538,117 B2 * 1/2017 Park F16M 11/24
 D786,209 S * 5/2017 Park D14/126
 D786,814 S * 5/2017 Lee D14/126
 D807,846 S * 1/2018 Kim D14/126
 D812,028 S * 3/2018 Kim D14/126
 D813,831 S * 3/2018 Han D14/126
 D821,342 S * 6/2018 Kim D14/126
 D839,229 S * 1/2019 Kim D14/126
 D843,960 S * 3/2019 Catania D14/126
 D847,111 S * 4/2019 Won D14/126
 D883,243 S * 5/2020 Kim D14/126
 D886,196 S * 6/2020 Lee D20/39
 D916,041 S * 4/2021 Wang D14/125
 D918,854 S * 5/2021 Pyo D14/126
 D930,604 S * 9/2021 Pyo D14/126
 D934,825 S * 11/2021 Pyo D14/126
 D936,027 S * 11/2021 Pyo D14/126
 D938,376 S * 12/2021 Gaytandjiev D14/126
 2018/0359869 A1 * 12/2018 Kim H05K 5/0017
 2022/0068170 A1 * 3/2022 Han G06F 1/1652

FOREIGN PATENT DOCUMENTS

KR 30-2013-0032392 1/2017
 KR 30-2016-0037911 2/2017

OTHER PUBLICATIONS

“Samsung My Shelf TV Mount”, first available Apr. 16, 2021, uncrate.com, [online], [site visited Apr. 6, 2022], Available from internet URL: <https://uncrate.com/samsung-my-shelf-tv-mount/> (Year: 2021).
 Samsung. “The Serif 138 cm” [2020] www.samsung.com Jun. 18, 2020 <<https://www.samsung.com/sec/tvs/the-serif-1st01afxkr/KQ55LST01AFXKR/>>.
 LG. “LG Signature OLED 8K” [2020] www.lge.co.kr Jun. 18, 2020 <<https://www.lge.co.kr/lgekor/product/media/tv/productDetail.do?cateId=1160&prdId=EPRD.348027>>.
 “Inno&cn TV” [2018] www.behance.net Feb. 8, 2018 <<https://www.behance.net/>>.
 “TH-50PV600, TH-42PV600, TH-37PV600 / Digital Hivision Plasma TV set” [2020] www.ifworlddesignguide.com Jun. 18, 2020 <<https://ifworlddesignguide.com/search?search=PANASONIC#/pages/page/entry/29384-th-50pv600-th-42pv600-th-37pv600>>.
 Panasonic TH-50PV500 / Plasma TV set [2020] www.ifworlddesignguide.com Jun. 18, 2020 <<https://ifworlddesignguide.com/search?search=PANASONIC#/pages/page/entry/23868-panasonic-th-50pv500>>.
 Eonjae, Shin. “화면 대신 스피커를 접는 뱅앤올룹슨 TV, 베오비전 하모니” [2019] www.earlyadopter.co.kr Apr. 12, 2019 <<http://www.earlyadopter.co.kr/124527>>.
 Lee, Kyongsoo. “Bang & Olufsen BeoVision 14 TV” [2016] awesomedisplay.wordpress.com Aug. 11, 2016 <<https://awesomedisplay.wordpress.com/2016/08/11/bang-olufsen-beovision-14-tv/>>.

* cited by examiner

FIG. 1

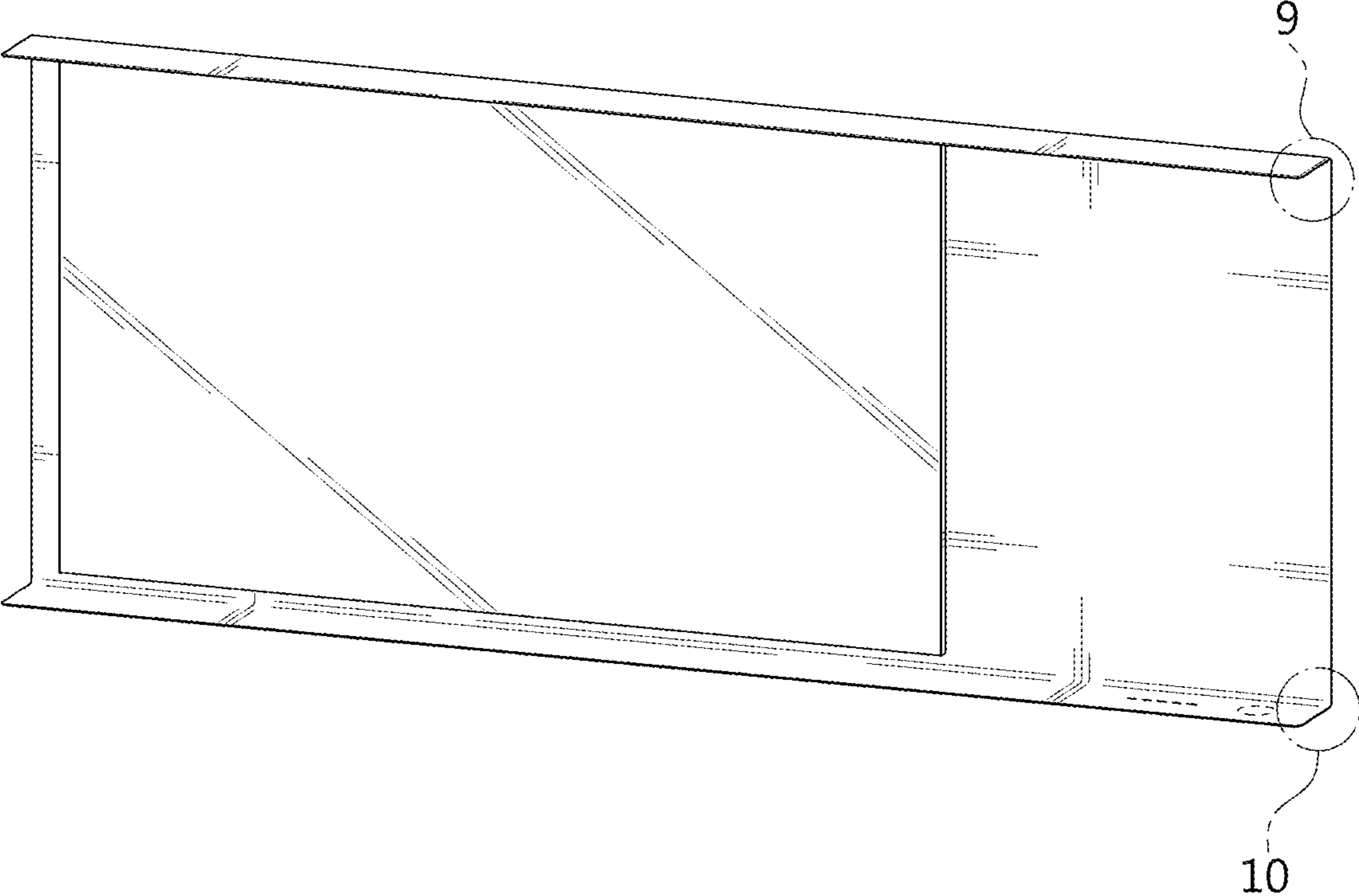


FIG. 2

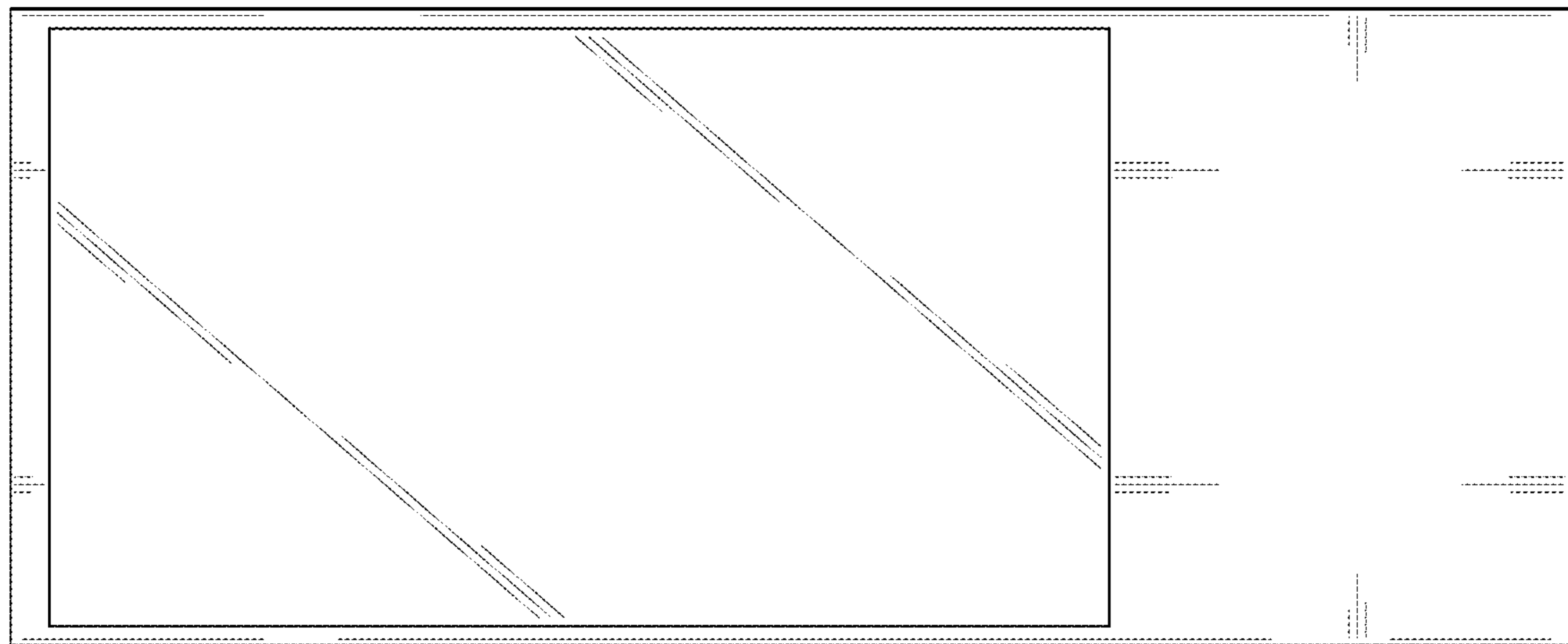


FIG. 3

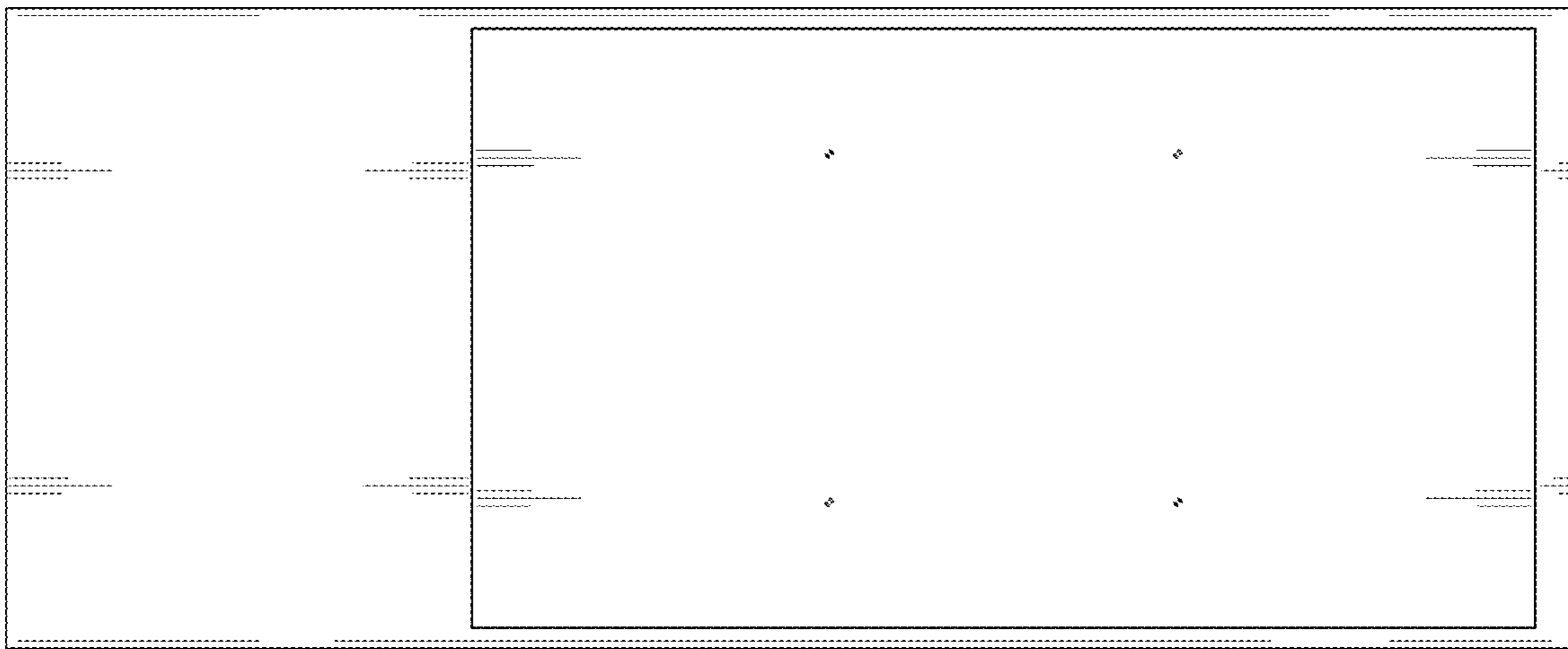


FIG. 4

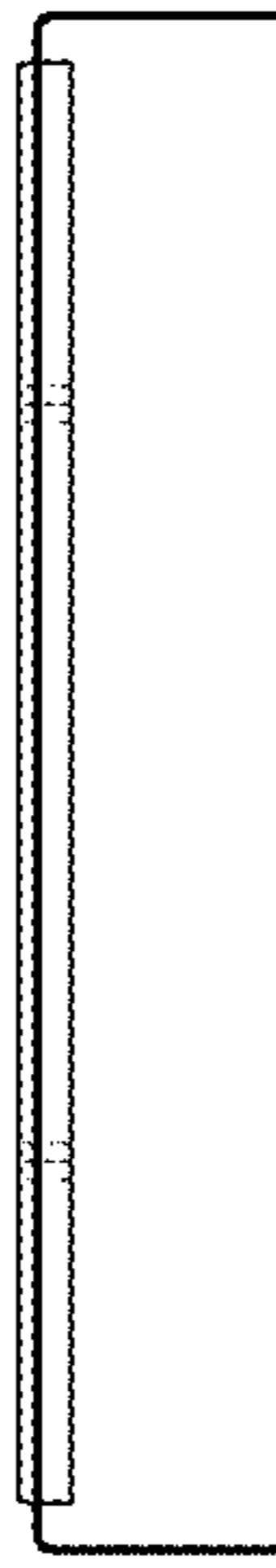


FIG. 5

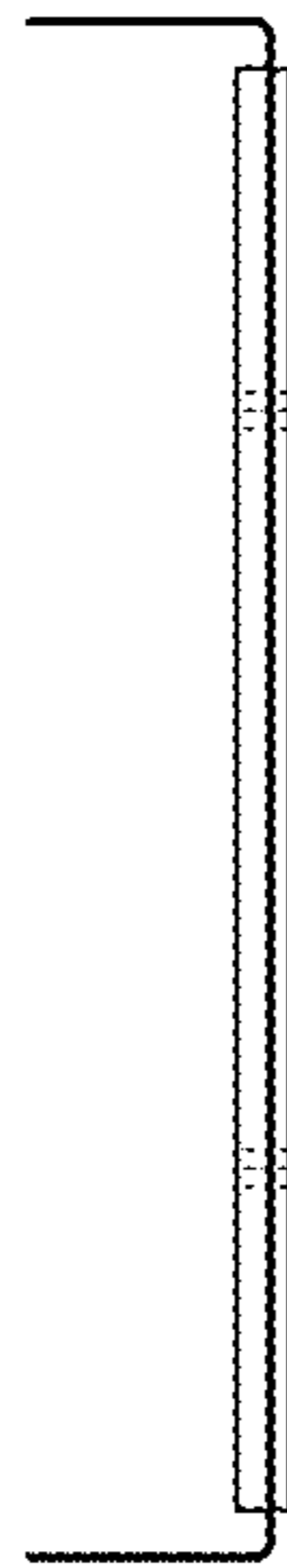


FIG. 6

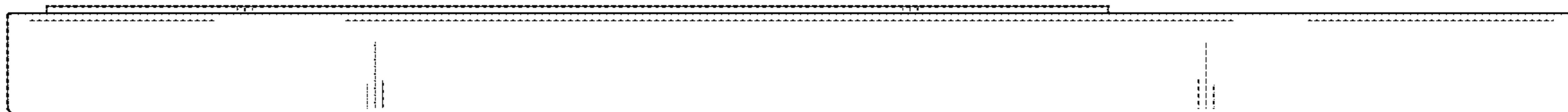


FIG. 7

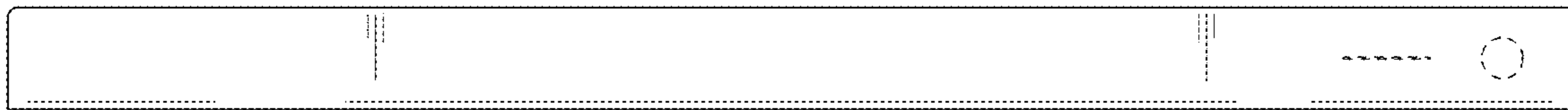


FIG. 8

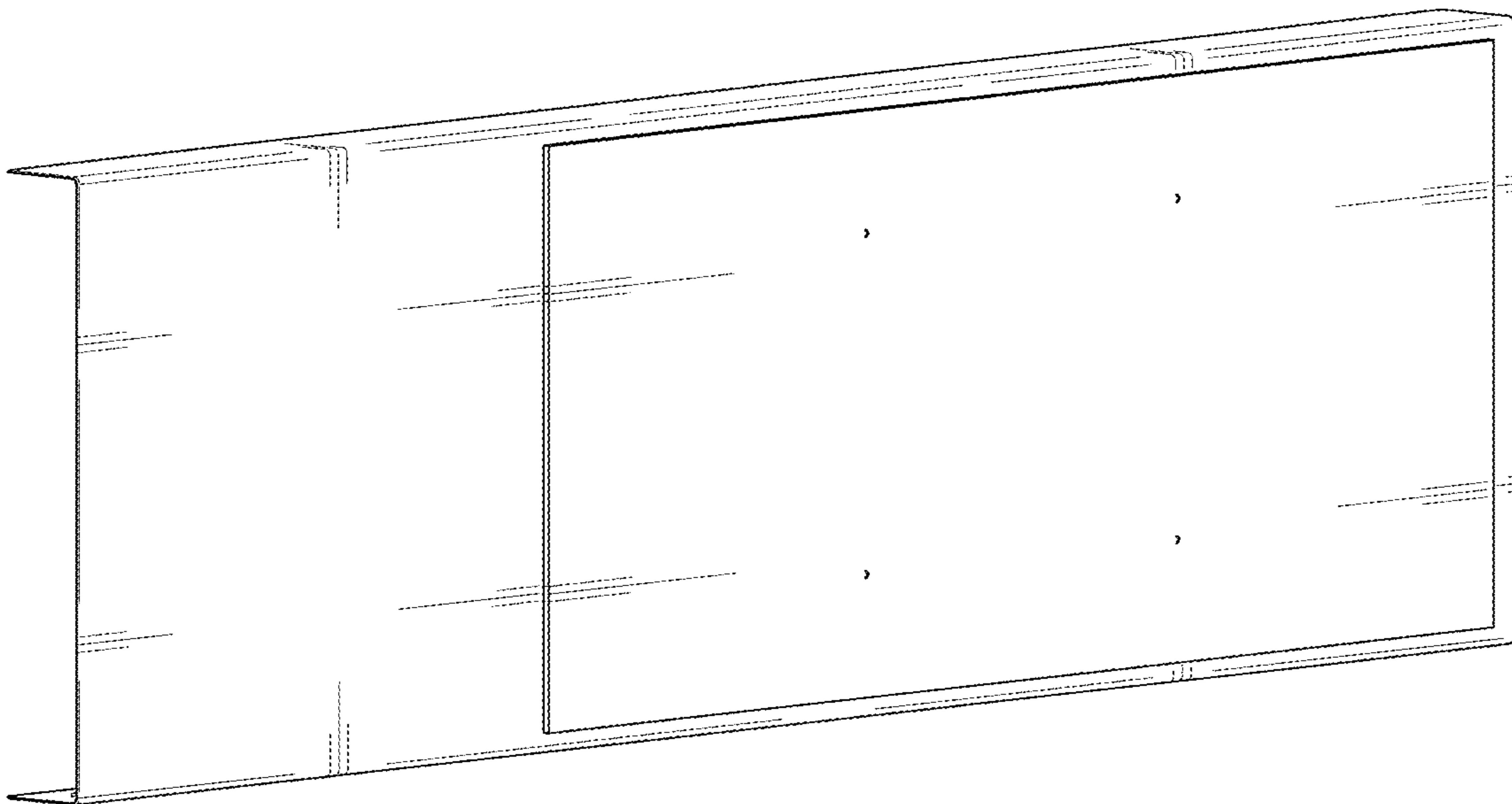


FIG. 9

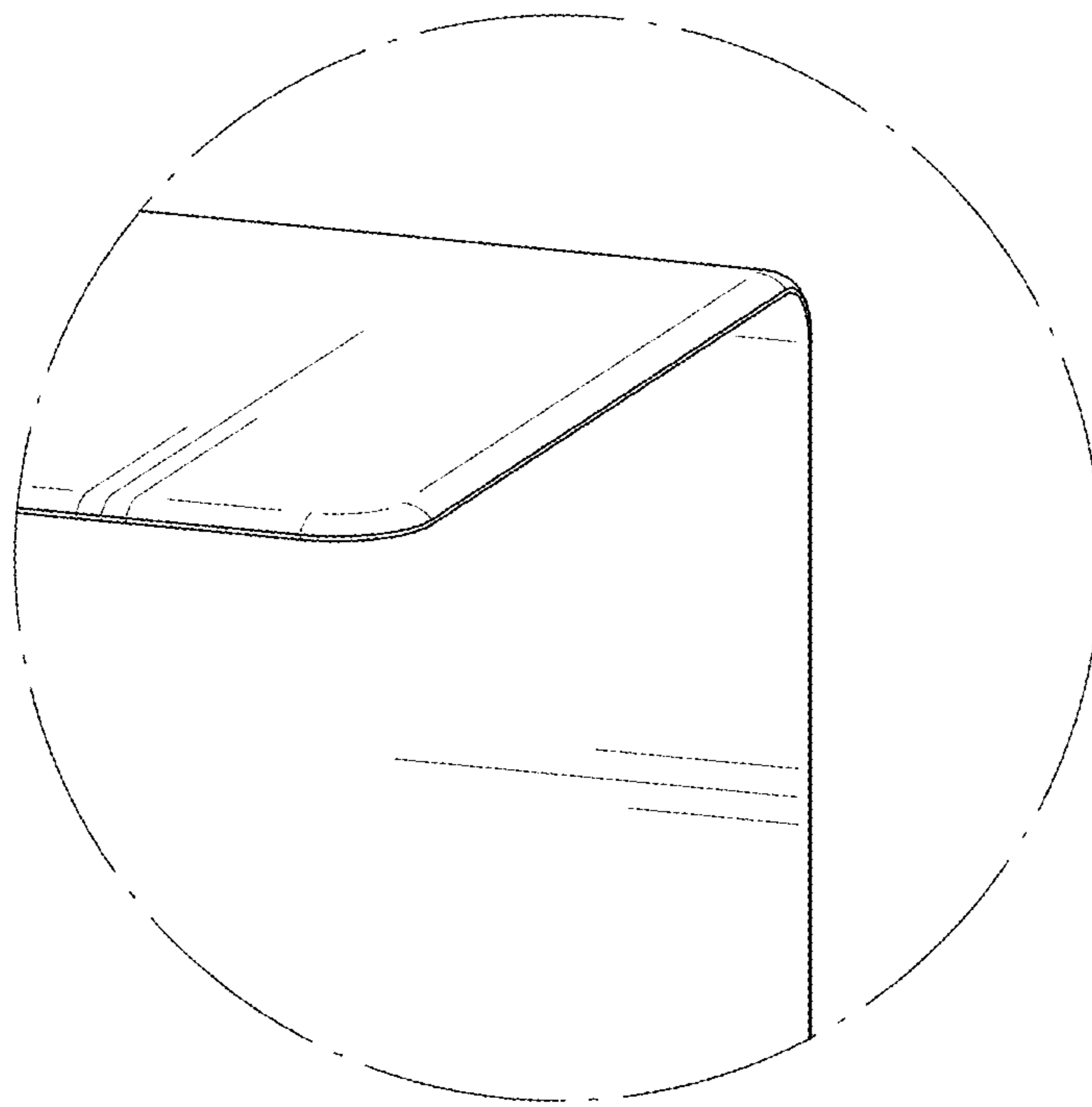


FIG. 10

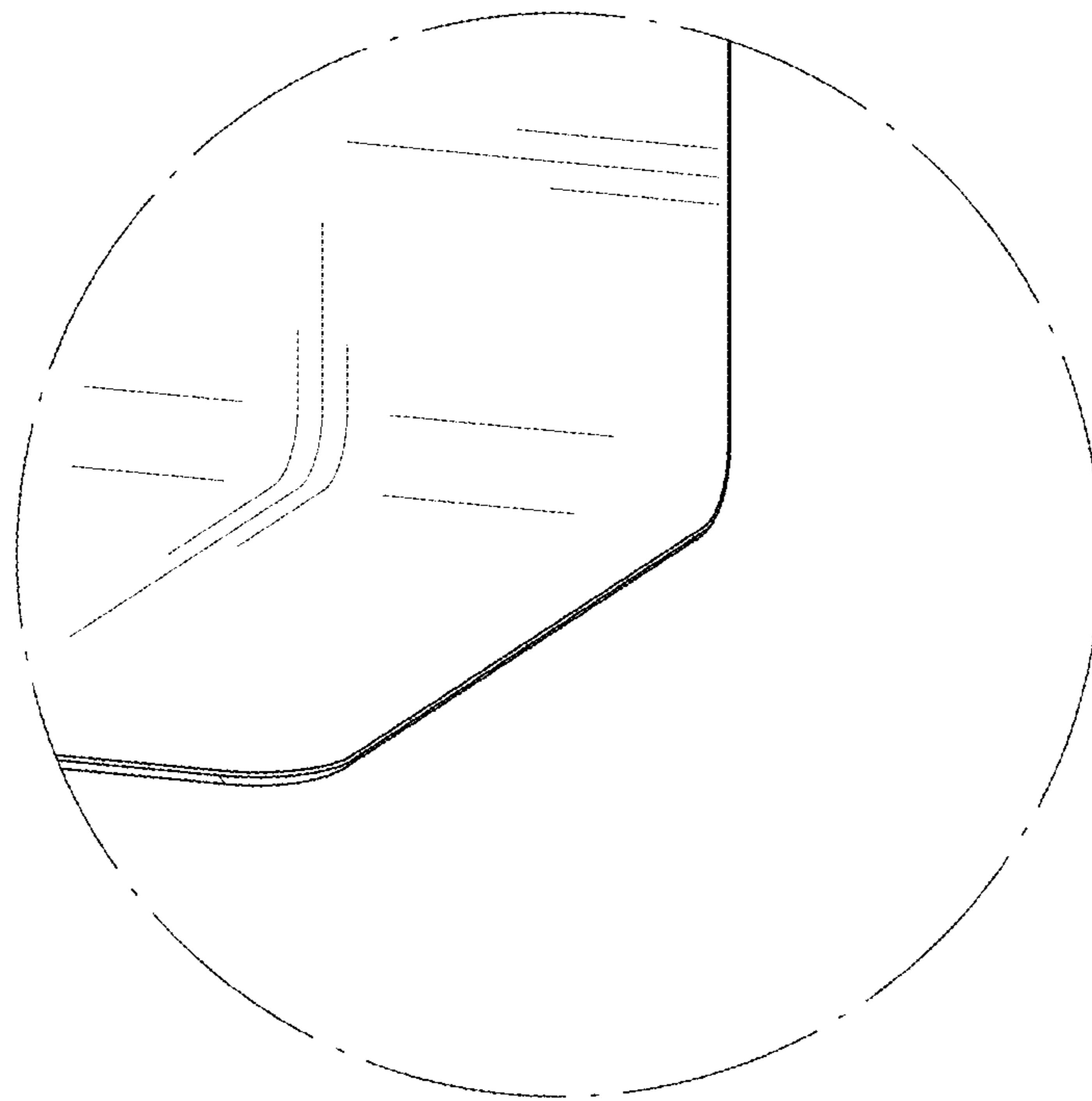


FIG. 11

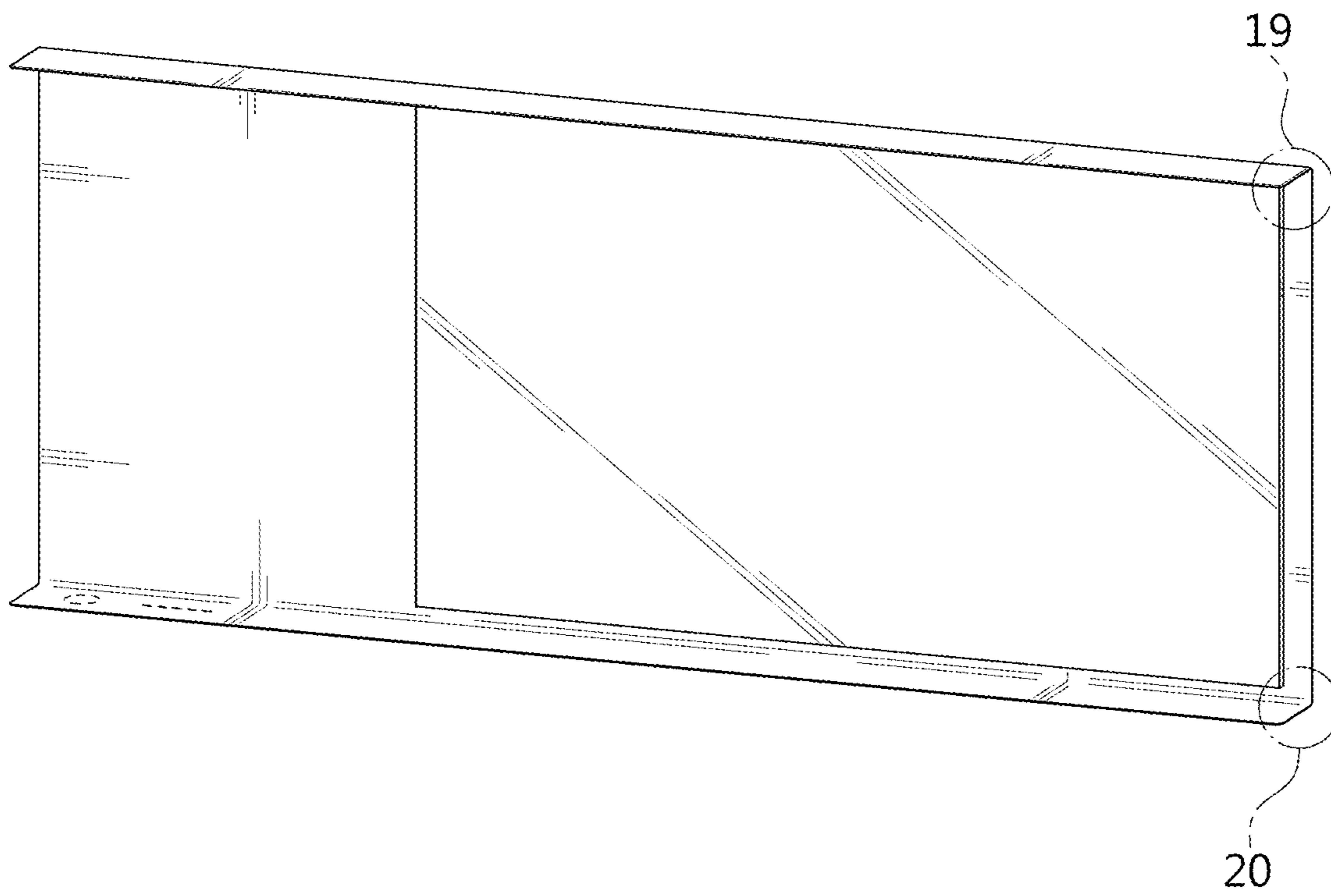


FIG. 12

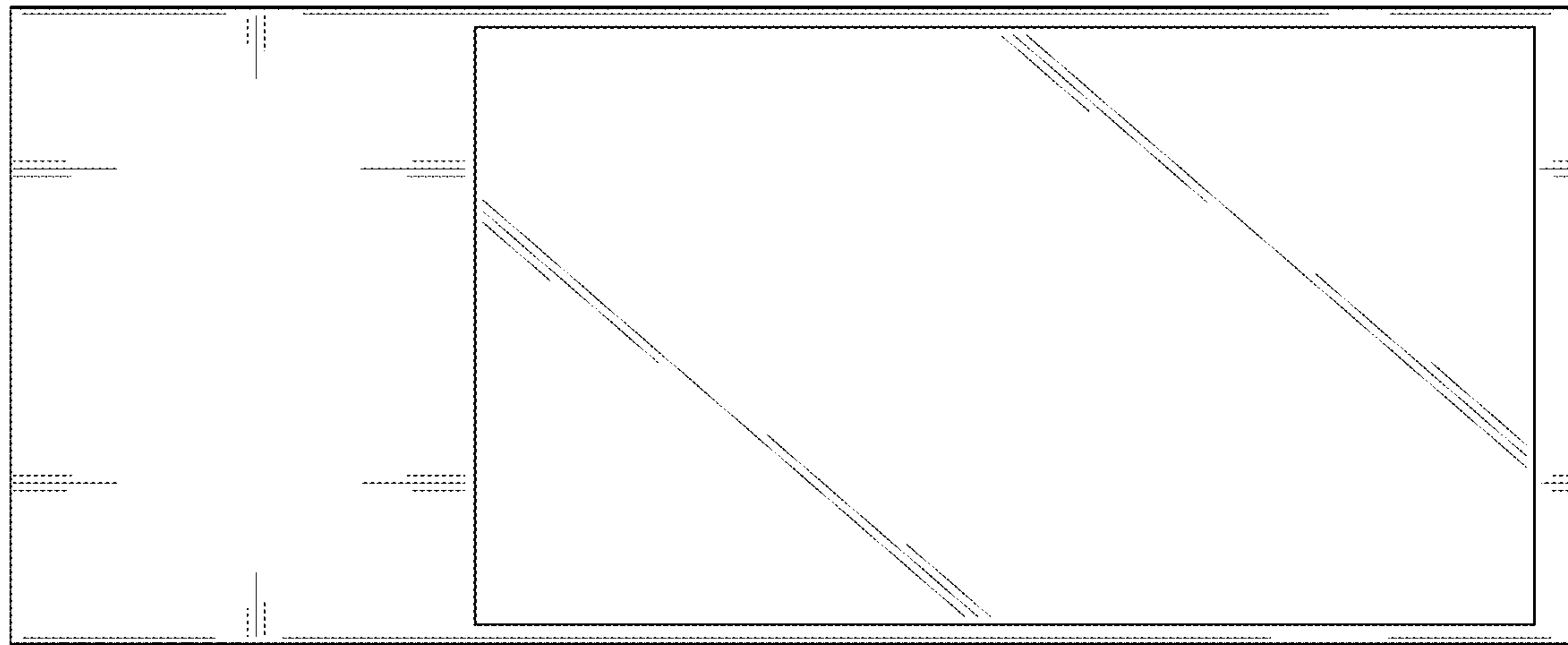


FIG. 13

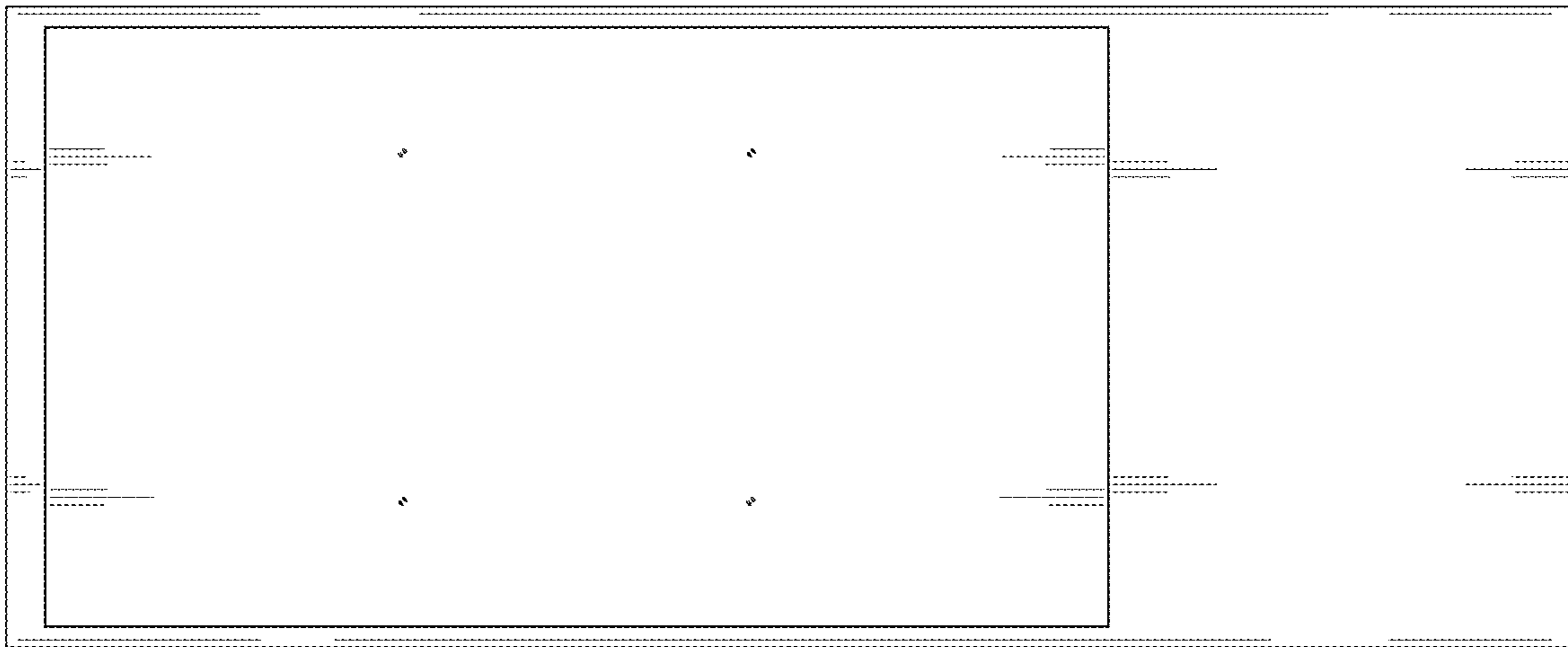


FIG. 14

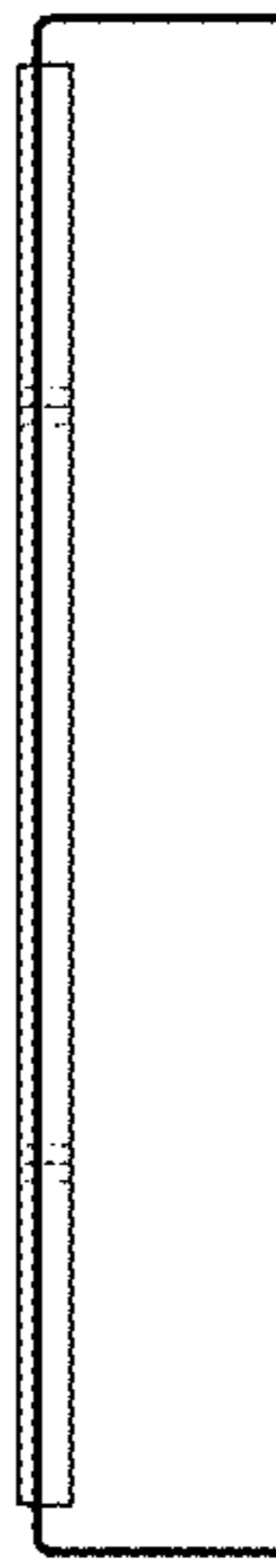


FIG. 15

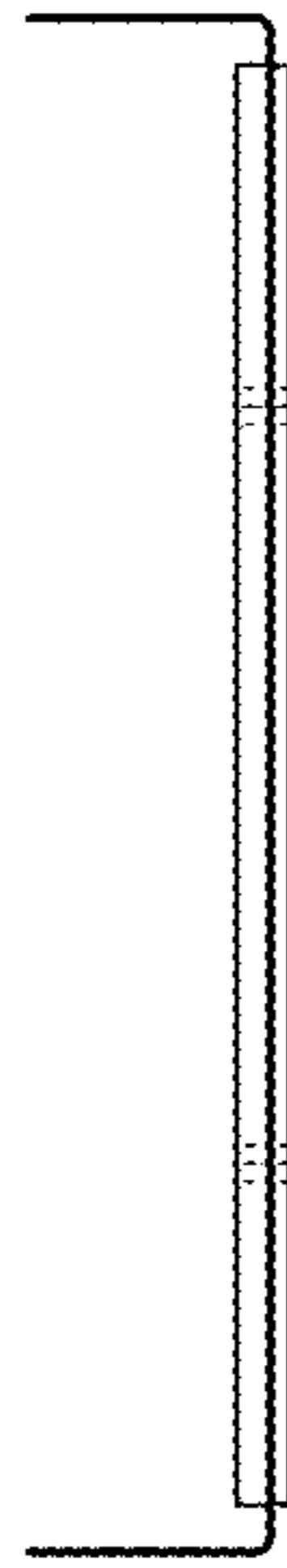


FIG. 16



FIG. 17

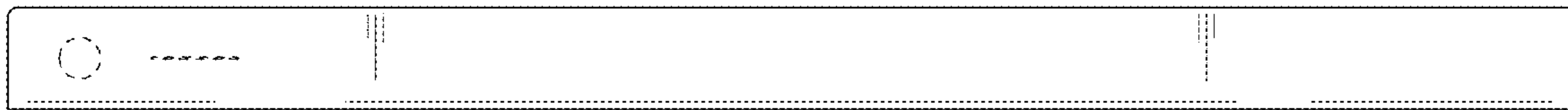


FIG. 18

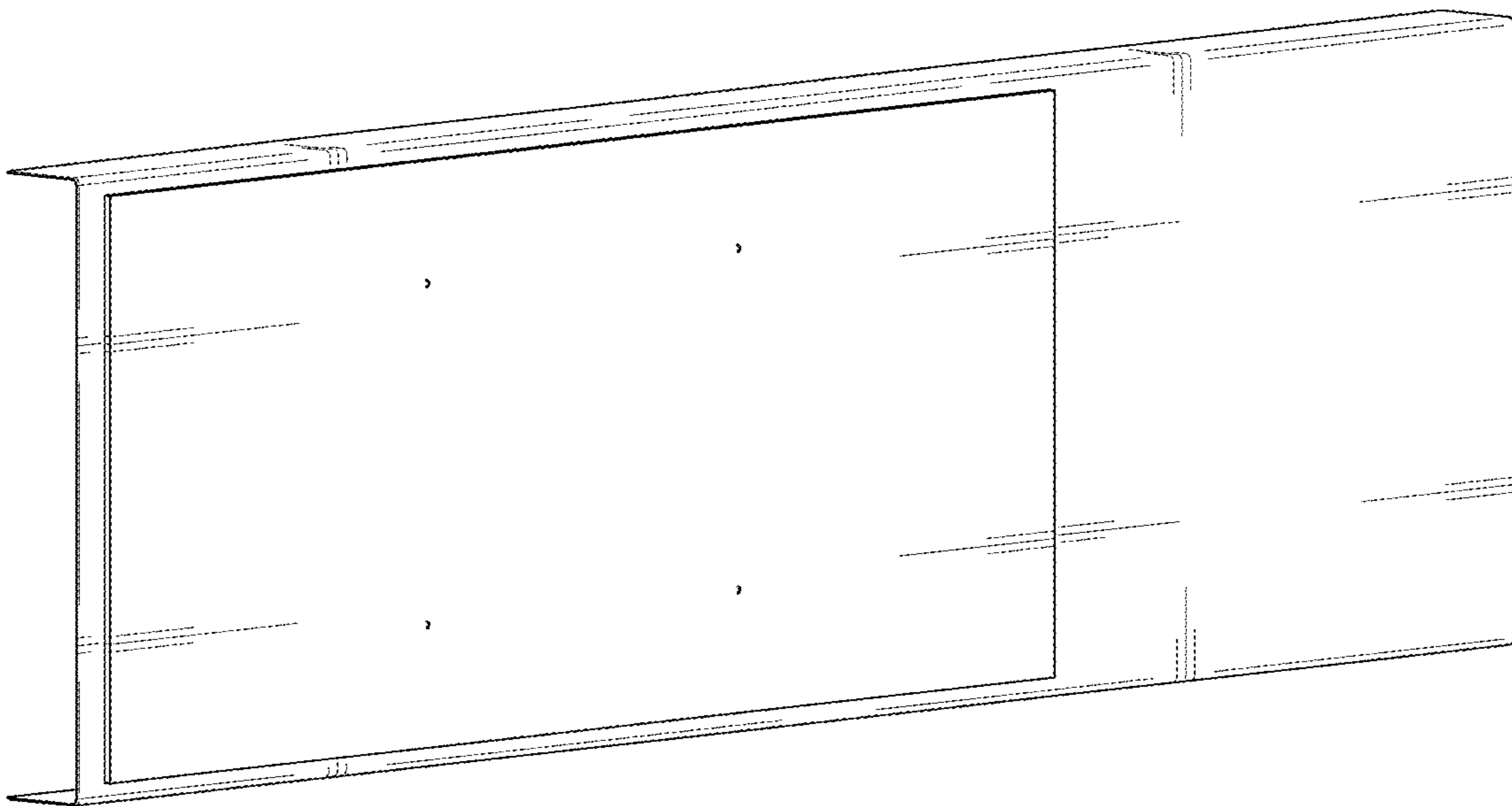


FIG. 19

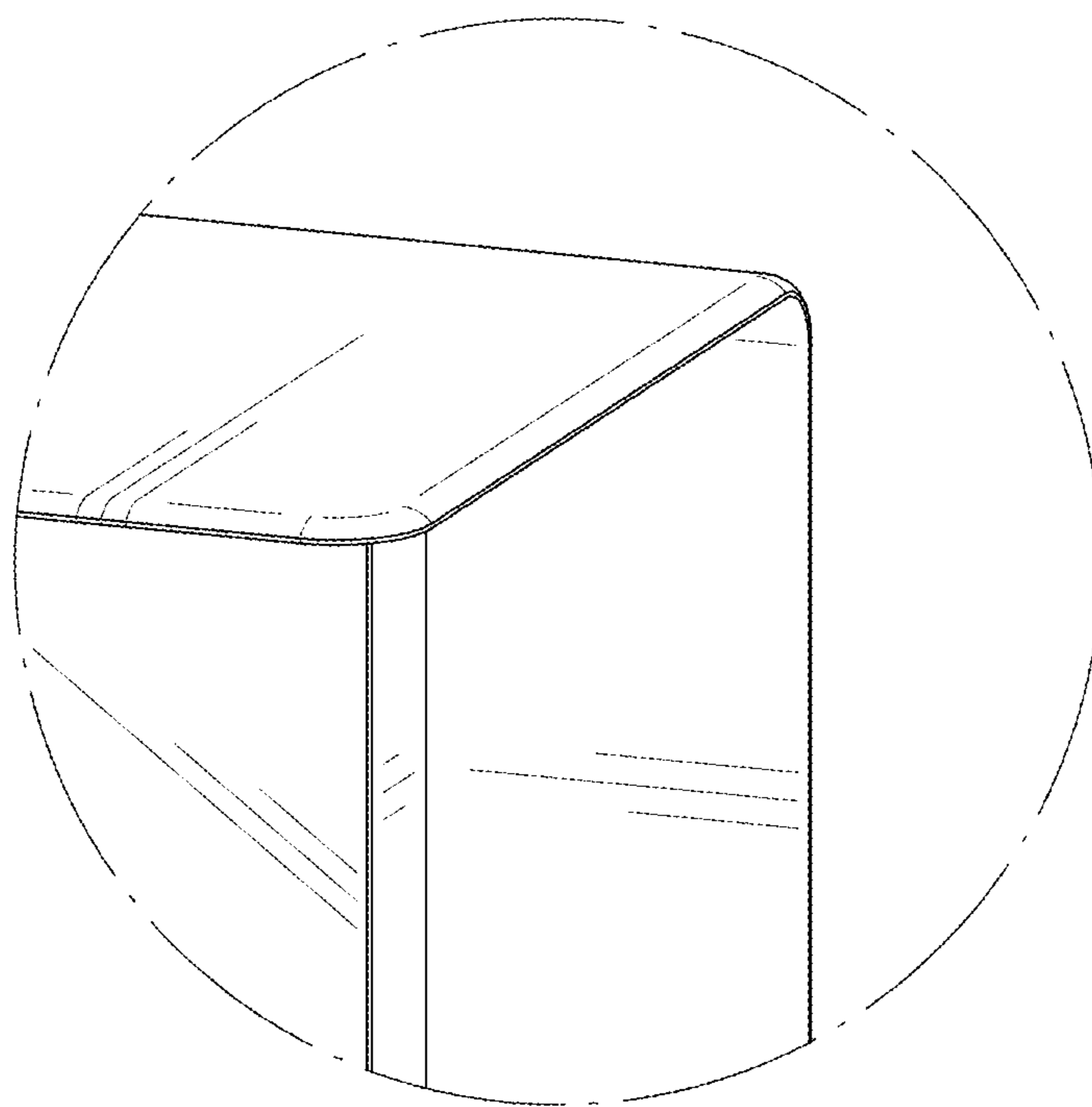


FIG. 20

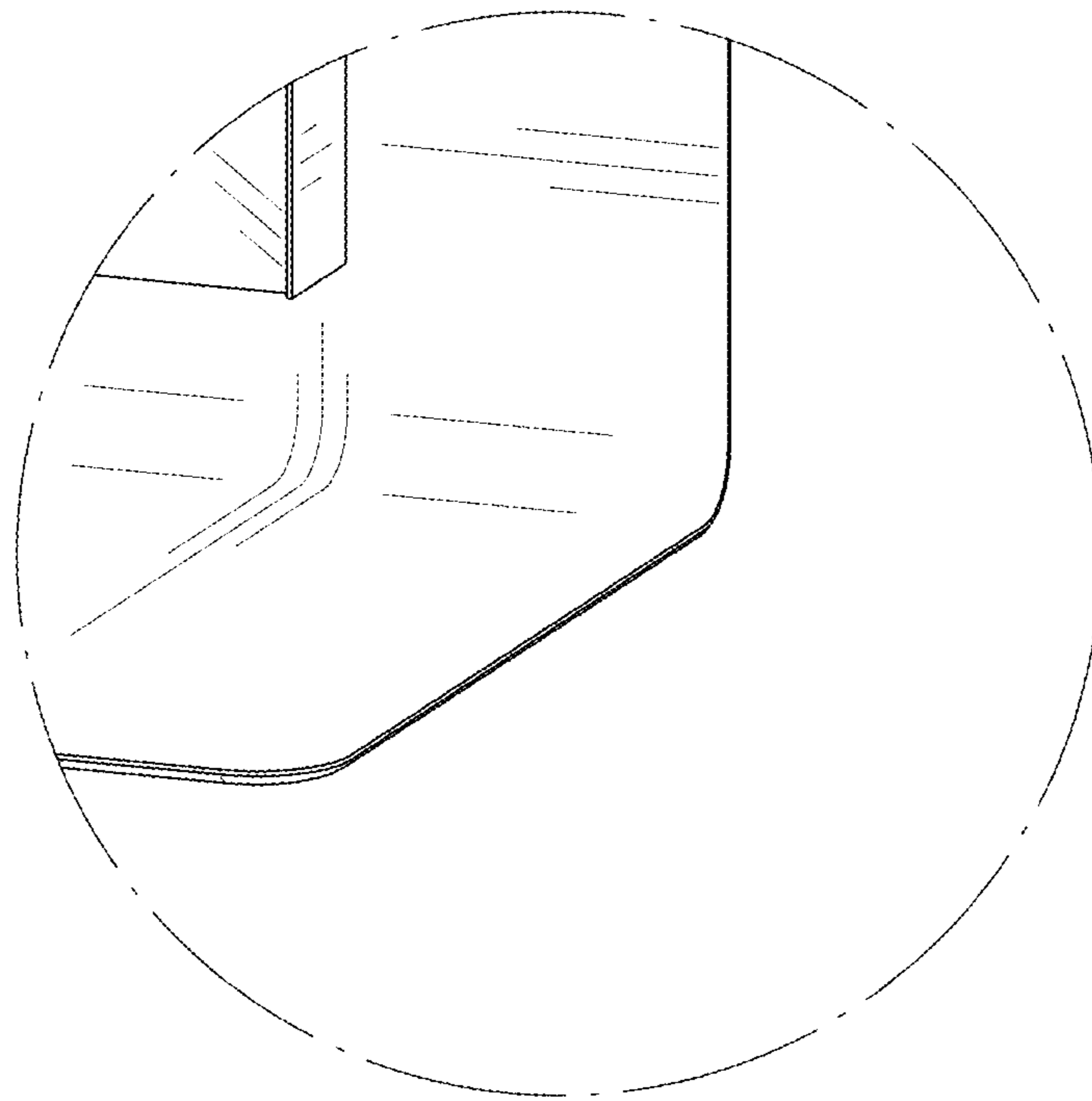


FIG. 21

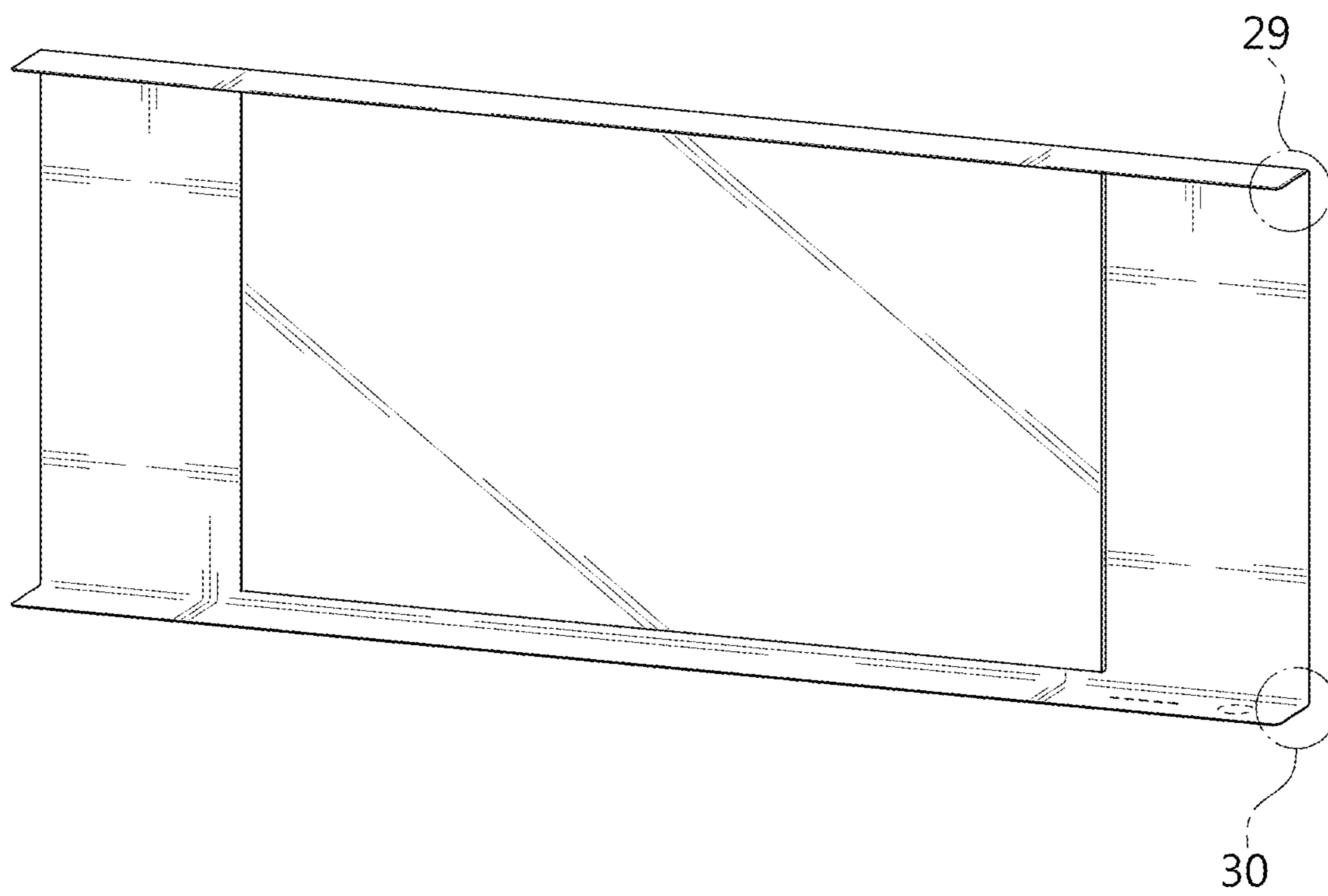


FIG. 22

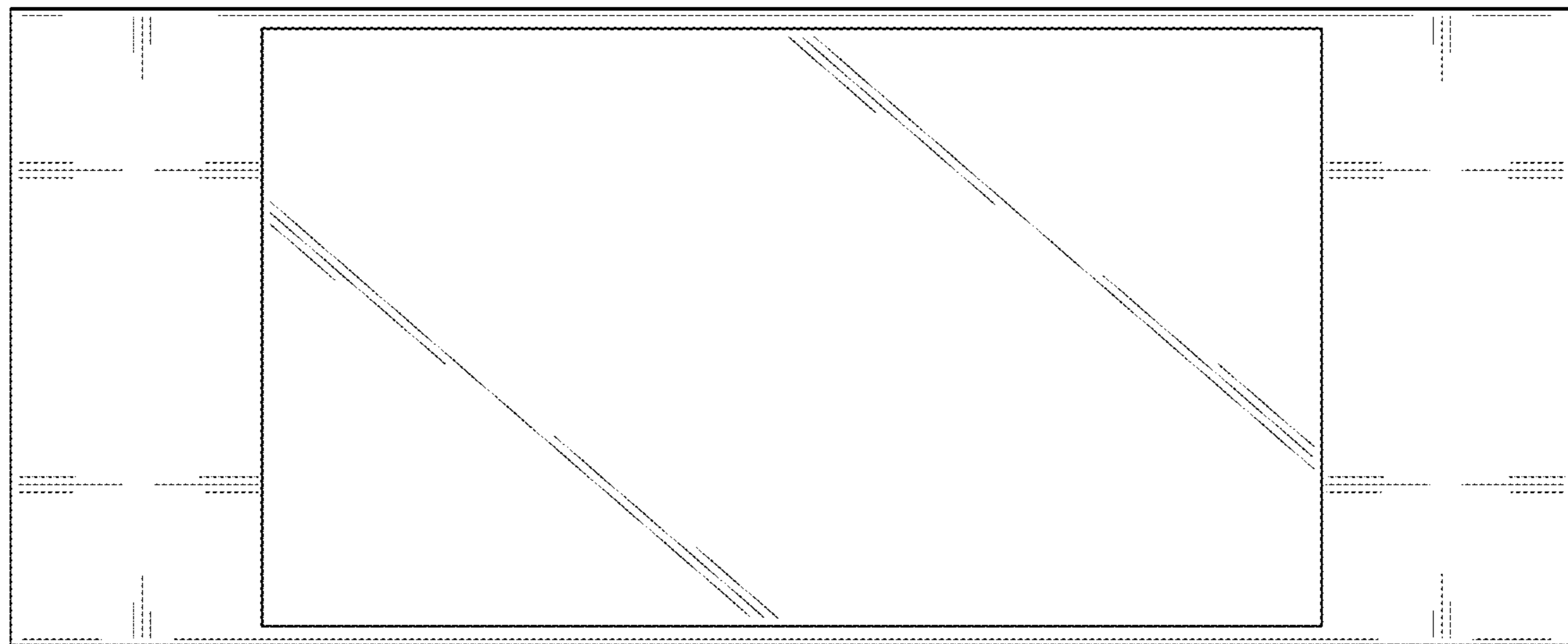


FIG. 23

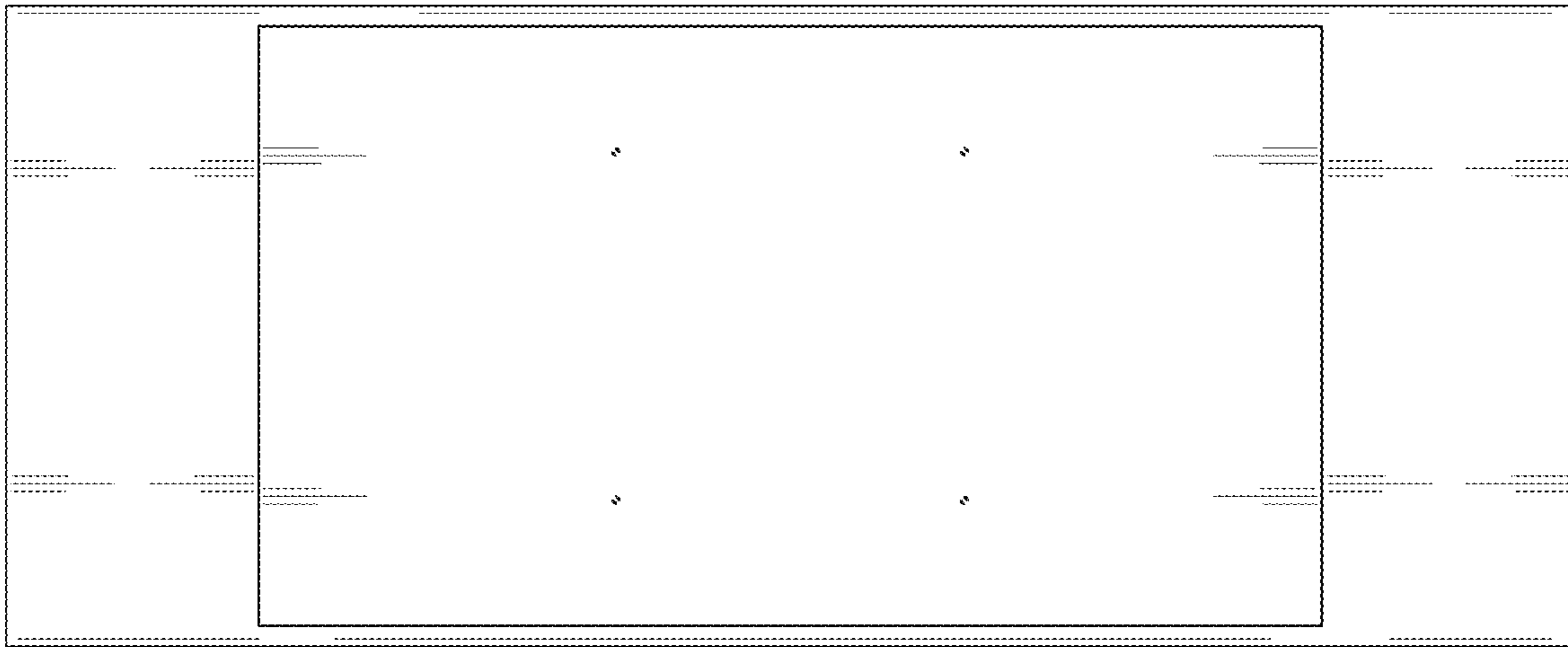


FIG. 24

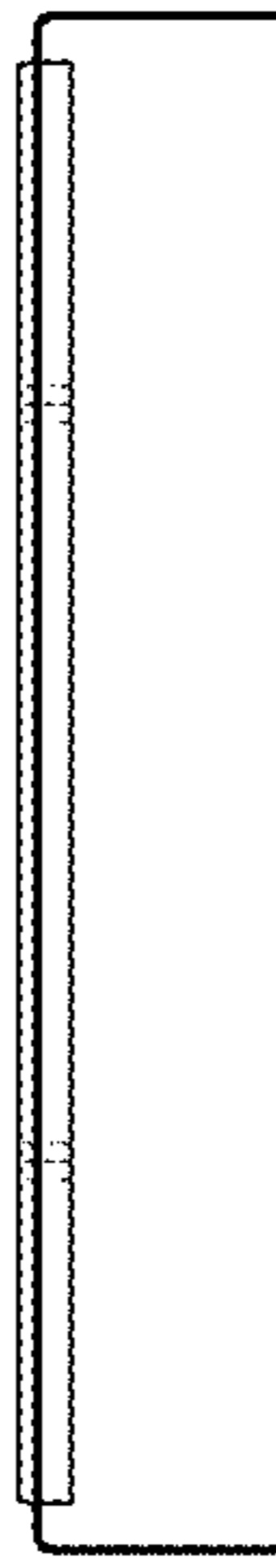


FIG. 25

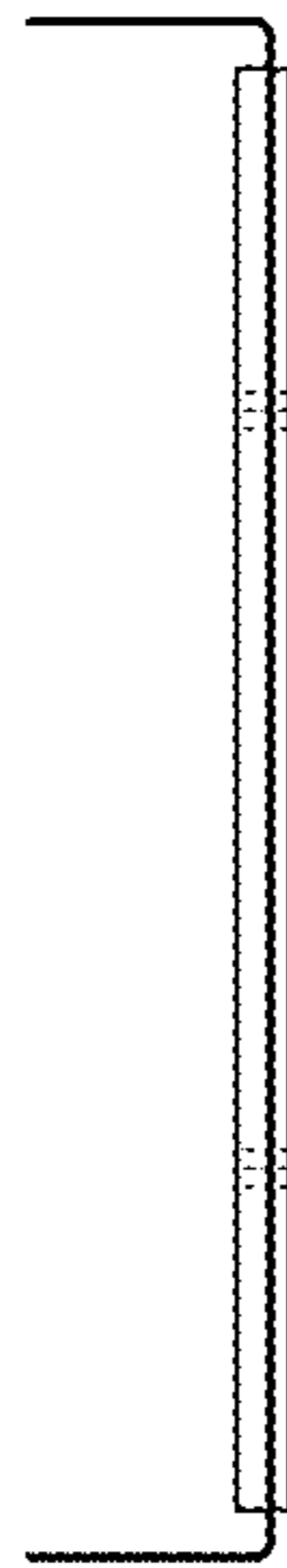


FIG. 26



FIG. 27

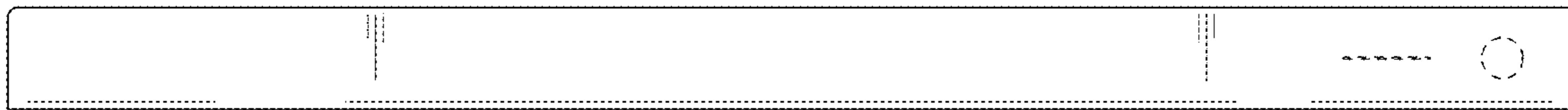


FIG. 28

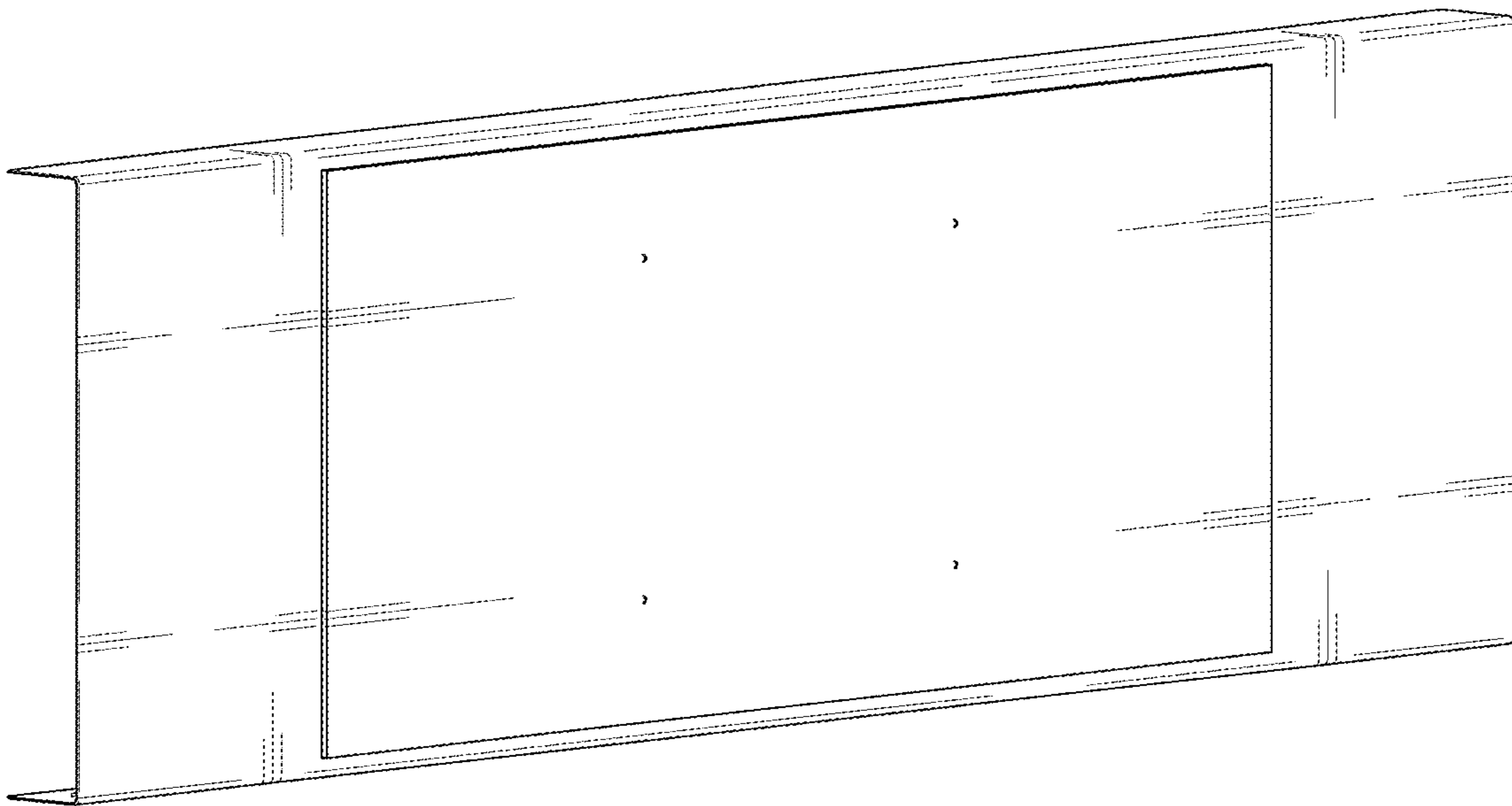


FIG. 29

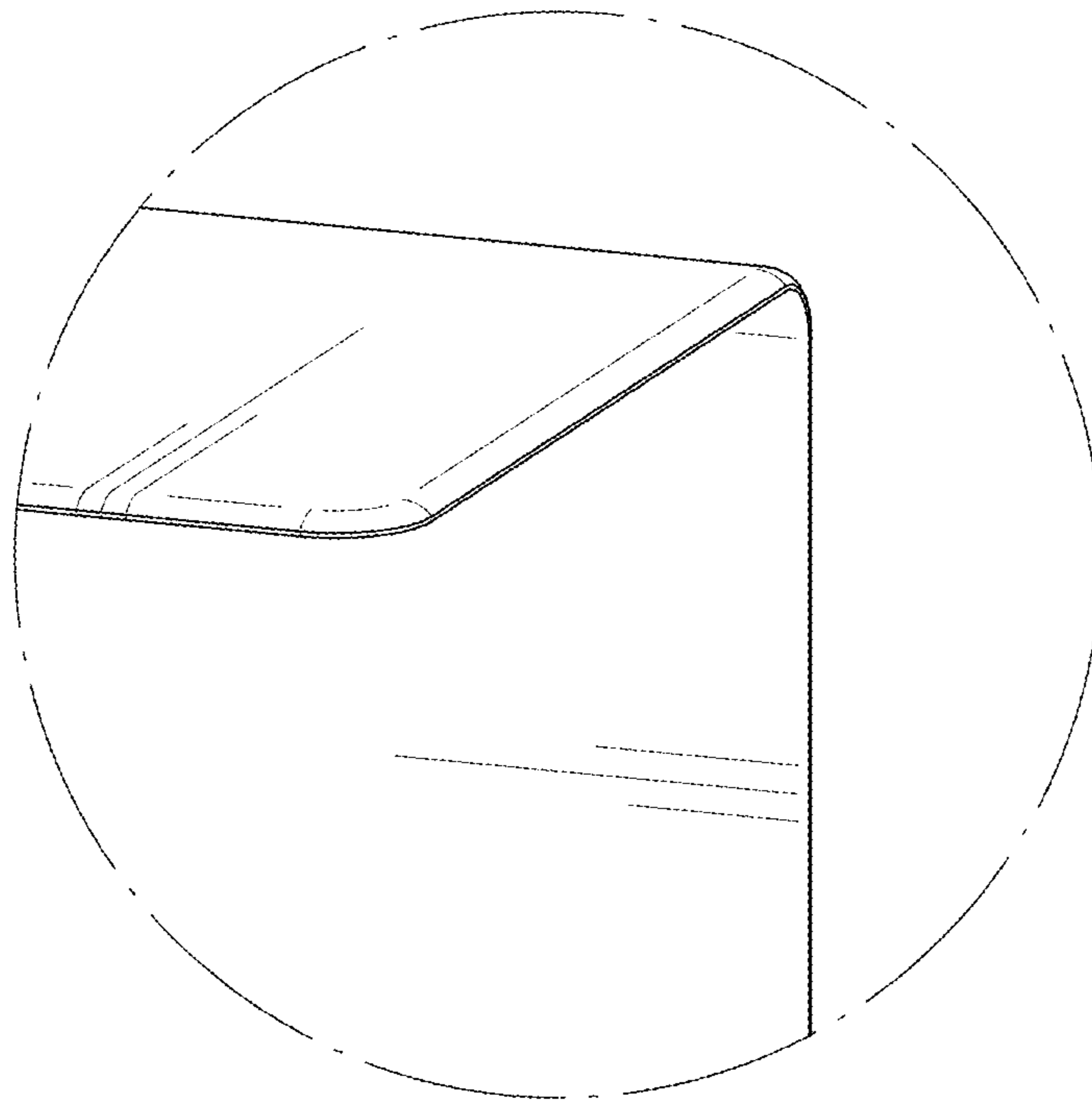


FIG. 30

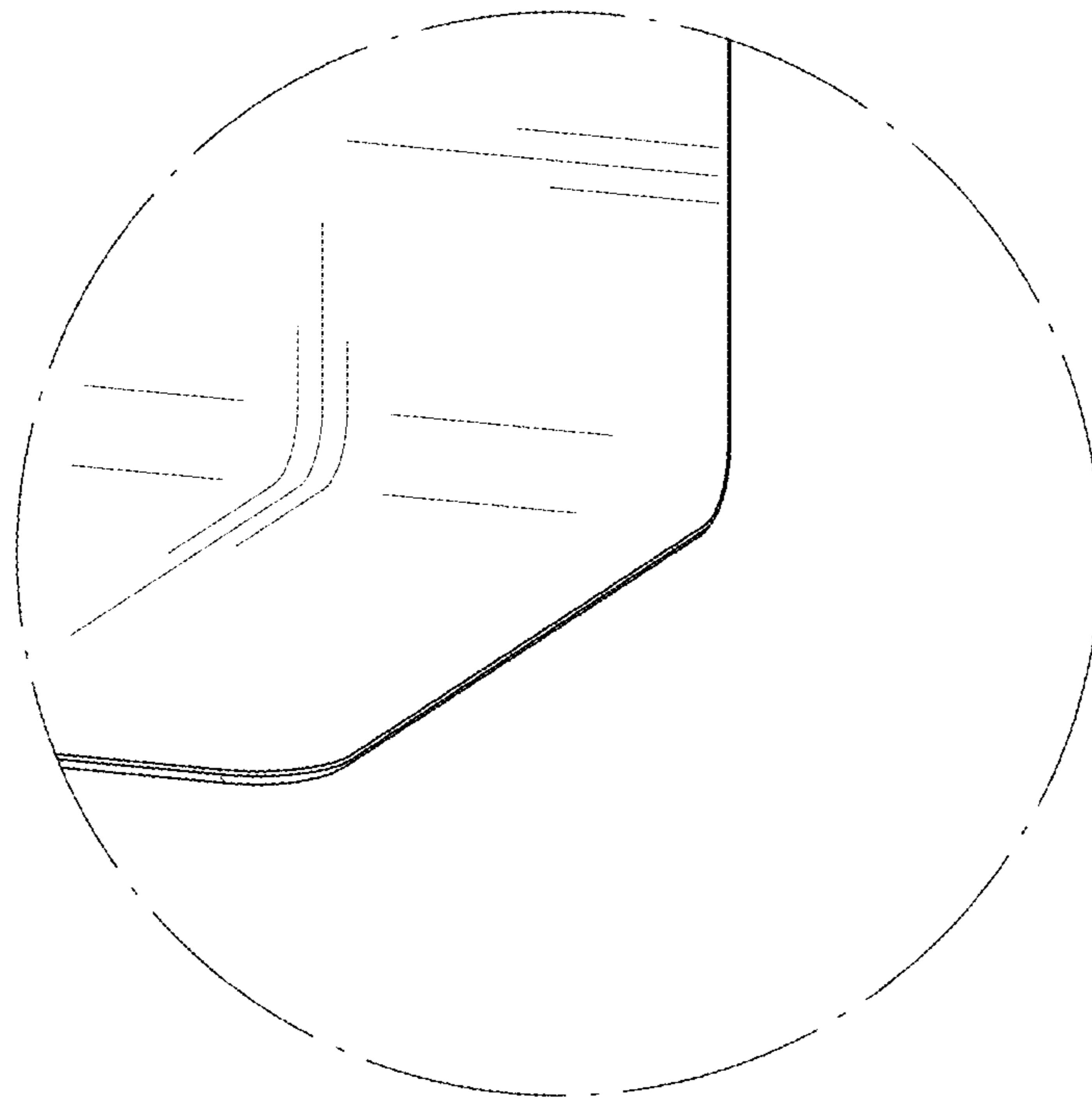


FIG. 31

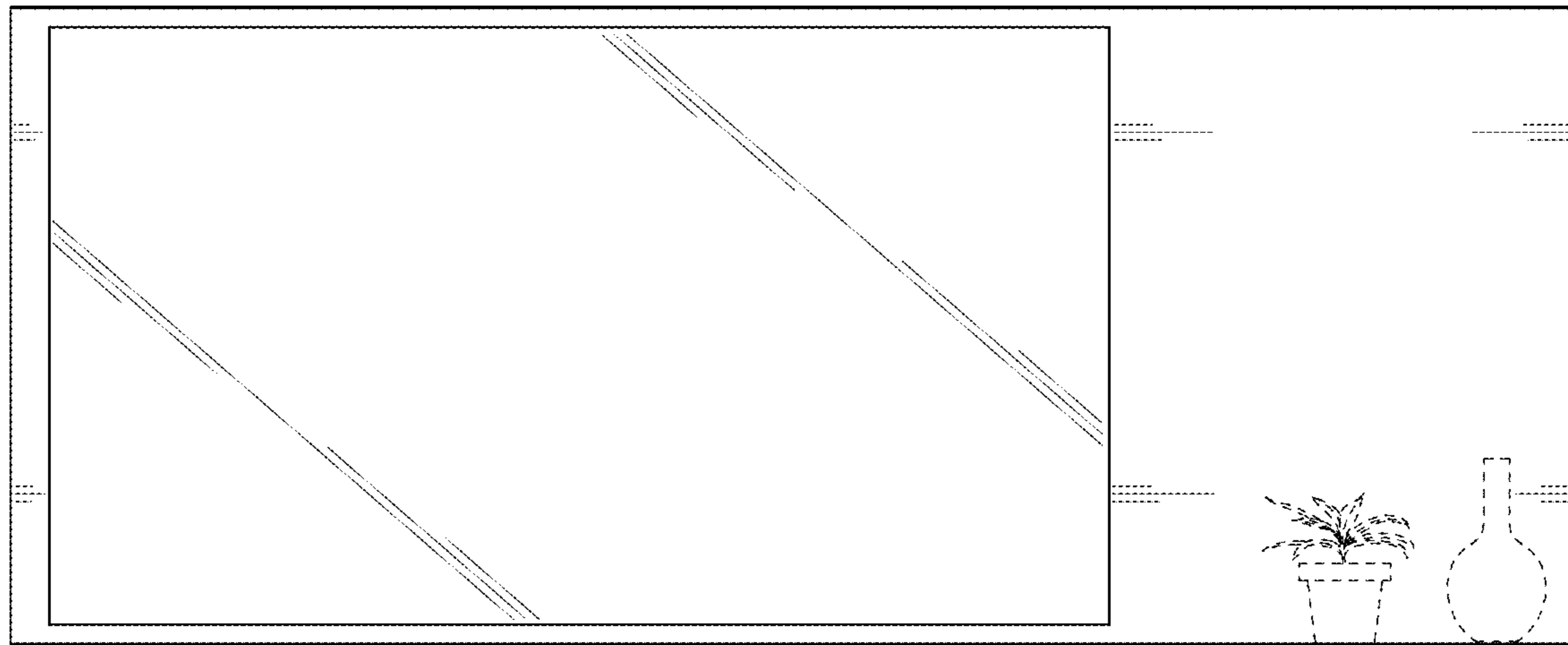


FIG. 32

