



US00D961536S

(12) **United States Design Patent** (10) **Patent No.:** **US D961,536 S**
Xiong (45) **Date of Patent:** **** Aug. 23, 2022**

(54) **DISPLAY SCREEN**
(71) Applicant: **Shenzhen Sunvey Tech Co., Ltd,**
Shenzhen (CN)
(72) Inventor: **Lijun Xiong,** Jingzhou (CN)
(**) Term: **15 Years**

D375,730 S * 11/1996 Chen D14/449
D382,545 S * 8/1997 Imai D14/138 G
D385,543 S * 10/1997 Phirippidis D14/239
D385,857 S * 11/1997 Cohen D14/336
D401,879 S * 12/1998 Keller D10/109.1
D409,199 S * 5/1999 Taguchi D14/217
D411,753 S * 6/1999 Jobin D14/449
D416,253 S * 11/1999 Hibino D14/138 G

(Continued)

(21) Appl. No.: **29/717,143**

FOREIGN PATENT DOCUMENTS

(22) Filed: **Dec. 16, 2019**

CN 304461446 * 1/2018

(51) **LOC (13) Cl.** **14-03**

(52) **U.S. Cl.**

USPC **D14/126;** D14/371

(58) **Field of Classification Search**

USPC D14/126, 129, 130, 132, 133, 159, 239,
D14/307, 336, 371, 372, 374, 375, 376,
D14/383, 448, 451, 496, 449, 343;
D10/46, 65, 104.1, 109.1, 75; D24/138,
D24/107, 184, 169, 216; D20/10, 18, 19,
D20/21, 39; D12/400, 415, 416, 188;
D16/221, 237, 241, 242

CPC G06F 1/1601; G06F 1/1605; G06F 1/1607;
G06F 1/1637; G06F 1/1642; G06F 1/182;
G06F 1/20; G06F 2200/1612; G06F
3/0421; G06F 3/0428; G06F 3/0488;
B60R 1/008; B60R 1/12; B60R
2001/1215; B60R 7/04; B60R 7/08

See application file for complete search history.

OTHER PUBLICATIONS

Color Screen Car Rear View Backup Camera Monitor. (online) 3
pgs. Available May 25, 2019. [retrieved Oct. 16, 2020] https://www.newegg.com/p/OPD-00BG-00040?Description=backup%20camera%20monitor&cm_re=backup_camera%20monitor--9SIA4SR6YG4839--Product.*

(Continued)

Primary Examiner — Marie D. Fast Horse

(57) **CLAIM**

The ornamental design for a display screen, as shown and described.

DESCRIPTION

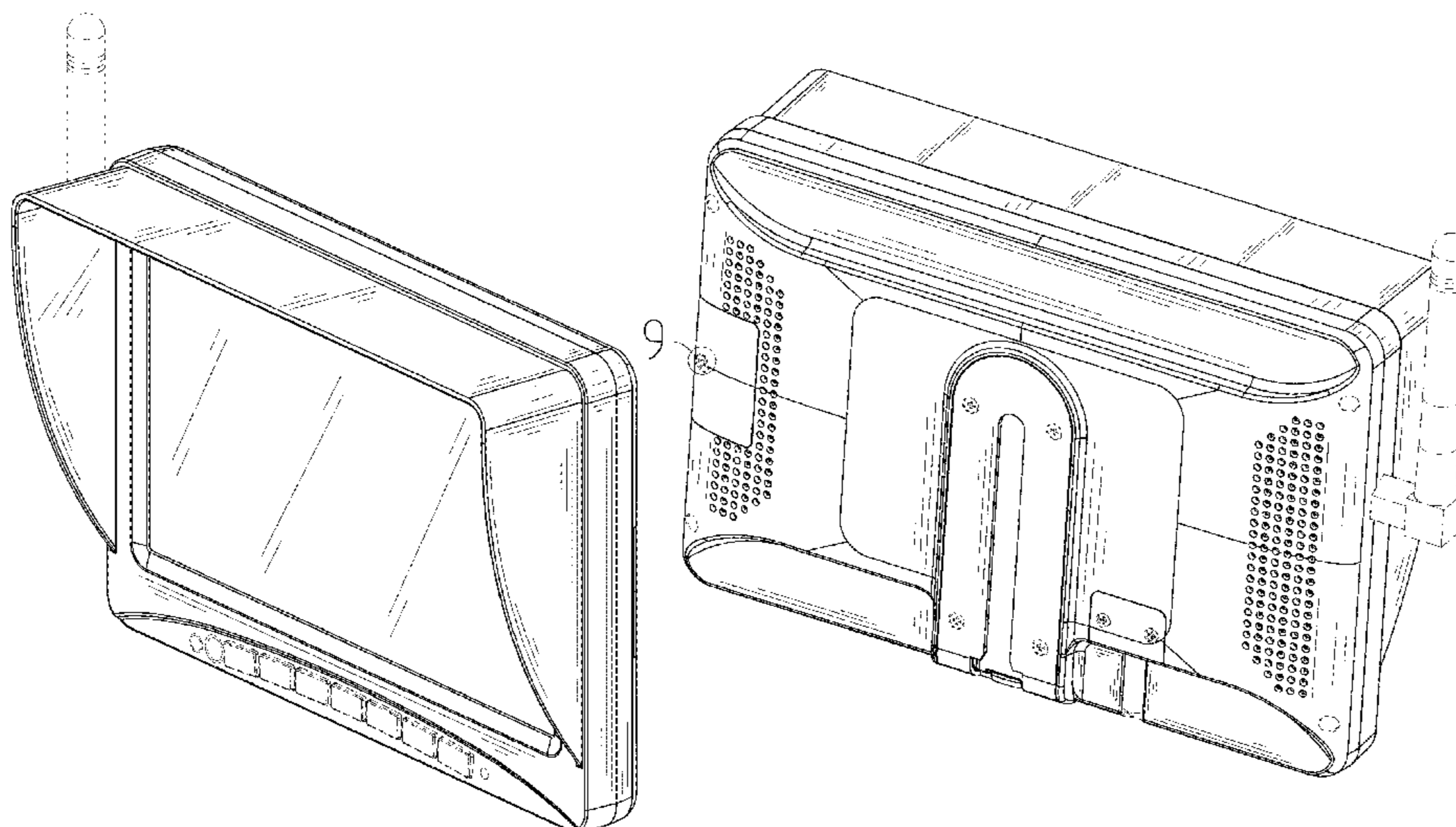
FIG. 1 is a first perspective view of a display screen showing my new design;
FIG. 2 is a second perspective view thereof;
FIG. 3 is a front view thereof;
FIG. 4 is a back view thereof;
FIG. 5 is a left side view thereof;
FIG. 6 is a right side view thereof;
FIG. 7 is a top view thereof; and,
FIG. 8 is a bottom view thereof.
The broken lines shown in the drawings depict portions of the display screen in which the design is embodied that form no part of the claimed design.

(56) **References Cited**

U.S. PATENT DOCUMENTS

3,062,917 A * 11/1962 Rose H04N 5/65
348/842
D225,113 S * 11/1972 Genaro et al. D14/130
D272,423 S * 1/1984 Anderberg D10/114.1
5,121,253 A * 6/1992 Waintroub G06F 1/1603
348/834
D338,658 S * 8/1993 Suzuki D14/340
5,243,463 A * 9/1993 Waintroub G06F 1/1603
348/E5.131
D342,483 S * 12/1993 Bergeron D14/336

1 Claim, 9 Drawing Sheets



(56)

References Cited

U.S. PATENT DOCUMENTS

D421,744 S * 3/2000 Ono D14/343
 D422,271 S * 4/2000 Kawashima D14/343
 D425,725 S * 5/2000 Whitaker D14/240
 D431,536 S * 10/2000 Feasey D14/239
 D442,174 S * 5/2001 Chang D14/343
 D442,952 S * 5/2001 Chang D14/343
 D448,010 S * 9/2001 Ogura D14/126
 D453,149 S * 1/2002 Skoger D14/138 G
 D458,252 S * 6/2002 Palm D14/343
 D463,749 S * 10/2002 Petrucelli D10/109.1
 D480,731 S * 10/2003 Becker D14/302
 D483,379 S * 12/2003 Becker D14/302
 D535,899 S * 1/2007 Li D10/65
 D536,011 S * 1/2007 Dayan D14/129
 D536,012 S * 1/2007 Dayan D14/129
 D537,002 S * 2/2007 Li D10/65
 D537,003 S * 2/2007 Li D10/65
 D543,876 S * 6/2007 Kalis D10/65
 D563,804 S * 3/2008 Kimura D10/65
 D581,296 S * 11/2008 Gretton D10/65
 D586,350 S * 2/2009 Matsui D14/449
 D591,183 S * 4/2009 Gretton D10/65
 D591,184 S * 4/2009 Gretton D10/65
 D594,356 S * 6/2009 Riddiford D10/65
 D611,473 S * 3/2010 Lee D14/371
 D626,437 S * 11/2010 Lee D10/65
 D640,215 S * 6/2011 Hanson-Abbott D14/126
 D648,233 S * 11/2011 Lenz D10/65
 D659,567 S * 5/2012 Stevens D10/65
 D659,568 S * 5/2012 Stevens D10/65
 D661,692 S * 6/2012 Sanlville D14/240
 D677,181 S * 3/2013 Lenz D10/65
 D726,559 S * 4/2015 Wingate D10/65
 D742,346 S * 11/2015 Huang D14/129
 D756,290 S * 5/2016 Cho D12/415
 D790,551 S * 6/2017 Hoejlund-Hansen D14/440
 D834,477 S * 11/2018 Kumagai D12/192
 D848,931 S * 5/2019 Yang D12/416
 D877,155 S * 3/2020 Law D14/449

D881,771 S * 4/2020 Xiong D12/192
 D944,795 S * 3/2022 Xiong D14/371
 2004/0036992 A1* 2/2004 Darling B60R 1/008
 359/872

OTHER PUBLICATIONS

Backup Camera and Monitor Kit for Car. (online) 9 pgs. Available Oct. 3, 2017. [retrieved Oct. 16, 2020] <https://www.amazon.com/Warranty-Universal-Waterproof-Rear-view-2-installation/dp/B0764B2KS6>.*

Fookoo II 7in 1080P Wired Backup Camera System. (online) 13 pgs. Available May 25, 2019. [retrieved Jan. 25, 2022] https://www.amazon.com/Reversing-Monitor-Waterproof-Semi-Trailer-FHD2-Wired/dp/B07JQC51NB/ref=sr_1_67?keywords=DoHonest&qid=1643150430&sr=8-67&th=1.*

Fookoo 1080P Wireless Backup Camera System. (online) 13 pgs. Available Jun. 28, 2019. [retrieved Jan. 25, 2022] https://www.amazon.com/Wireless-Monitor-License-Waterproof-Universal/dp/B07TC1LTDK/ref=sr_1_91?keywords=DoHonest&qid=1643150443&sr=8-91&th=1.*

Backup Cameras for Truck HD 1080P 2 RearView Cameras 7 Inch LCD Monitor. (online) 11 pgs. Available Jun. 6, 2018. [retrieved Jan. 25, 2022] https://www.amazon.com/High-Speed-Observation-Compatible-Pre-Wired-Boat-DoHonest/dp/B07DK81QZV/ref=sr_1_31?keywords=DoHonest&qid=1643150369&sr=8-31.*

ZeroXClub Digital Wireless Backup Camera System Kit. (online) 13 pgs. Available Jul. 19, 2018. [retrieved Jan. 25, 2022] https://www.amazon.com/ZEROXCLUB-Interference-Waterproof-Reversing-Semi-Trailer/dp/B0773HXB23/ref=sr_1_83?keywords=DoHonest&qid=1643150443&sr=8-83.*

Universal/dp/B07TC1LTDK/ref=sr_1_91?keywords=DoHonest&qid=1643150443&sr=8-91&th=1 Tonew Backup Camera for Trucks and 7 inch Monitor. (online) 9 pgs. Available May 22, 2019. [retrieved Jan. 25, 2022] <https://www.amazon.com/Tonew-Monitor-Dashcams-Waterproof-Trailer/dp/B07R9462RK>.*

RV Backup Camera Wireless with 7in Touch Key DVR Monitor. (online) 13 pgs. Available Sep. 20, 2017. [retrieved Jan. 25, 2022] <https://www.amazon.com/Wireless-Monitor-DoHonest-Bluetooth-Pre-Wired/dp/B075RZL2NG>.*

* cited by examiner

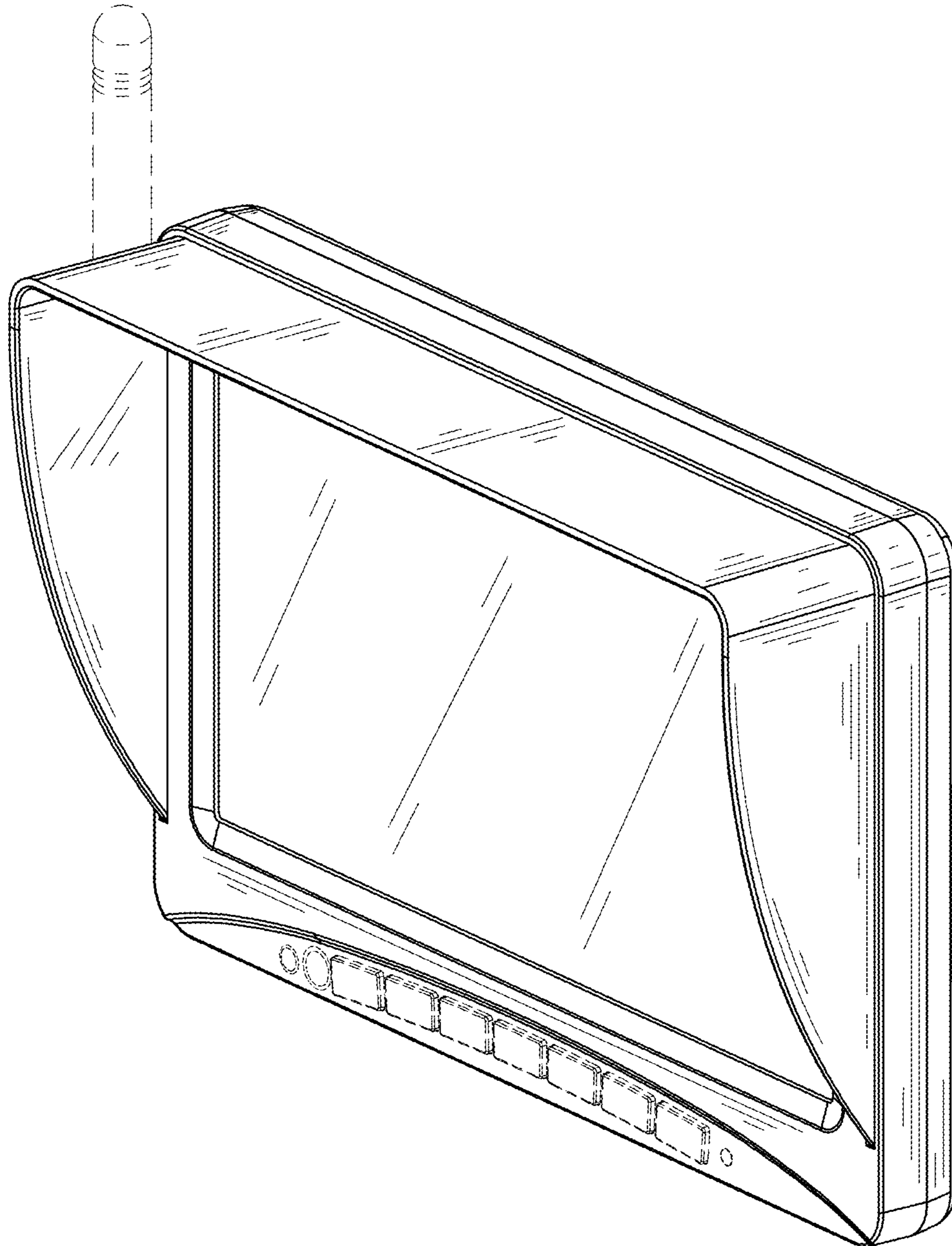


FIG. 1

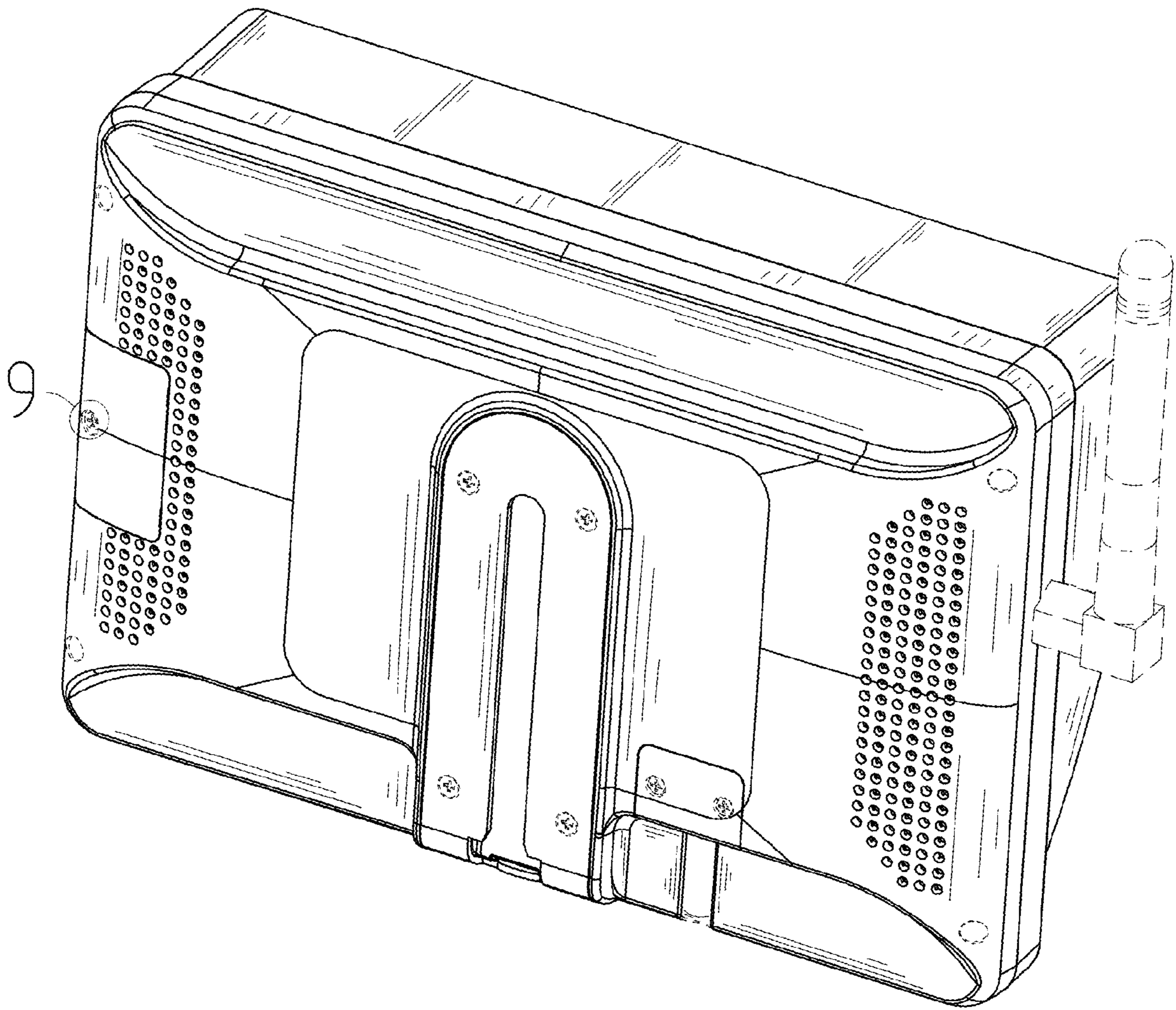


FIG. 2

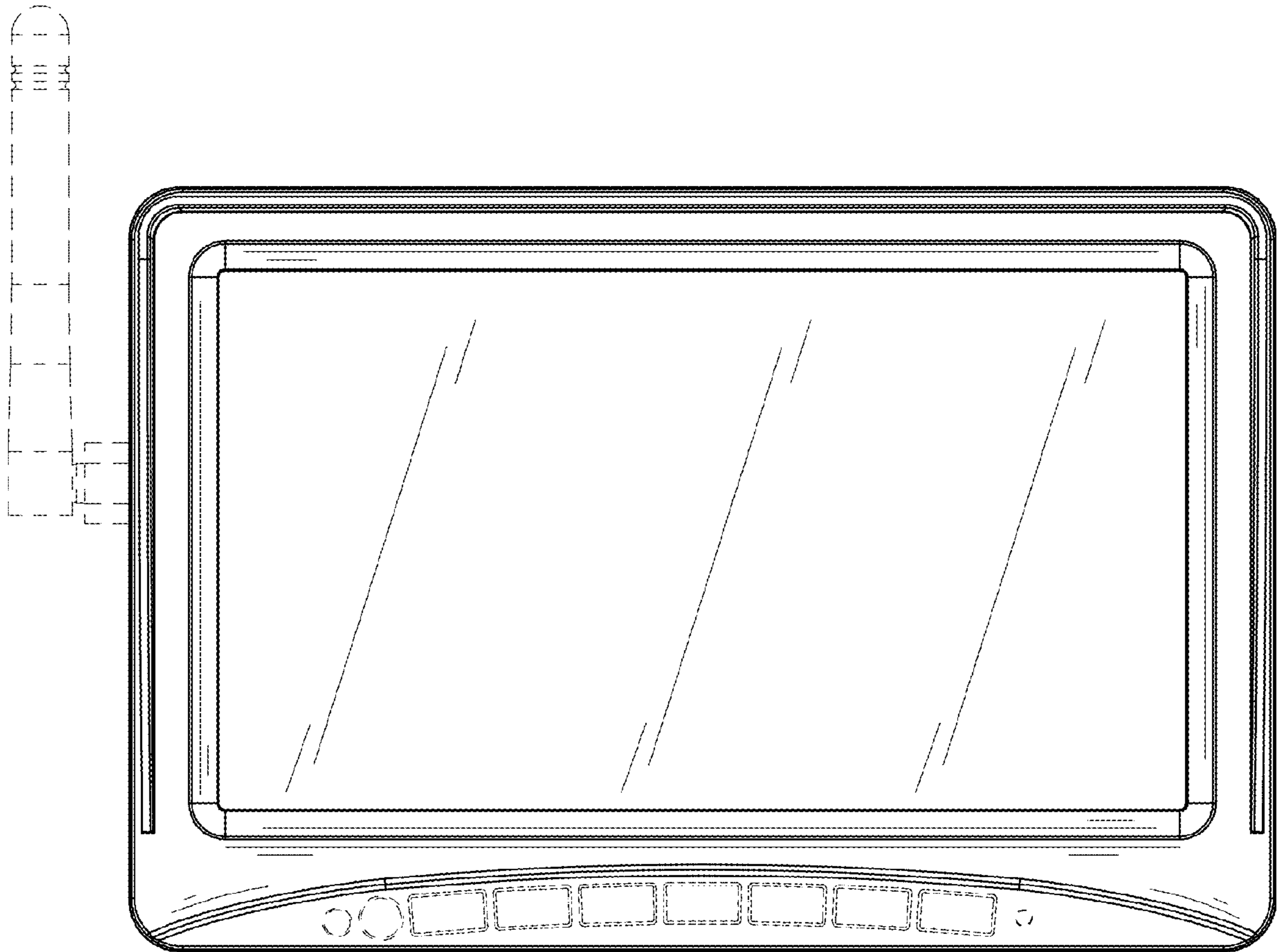


FIG. 3

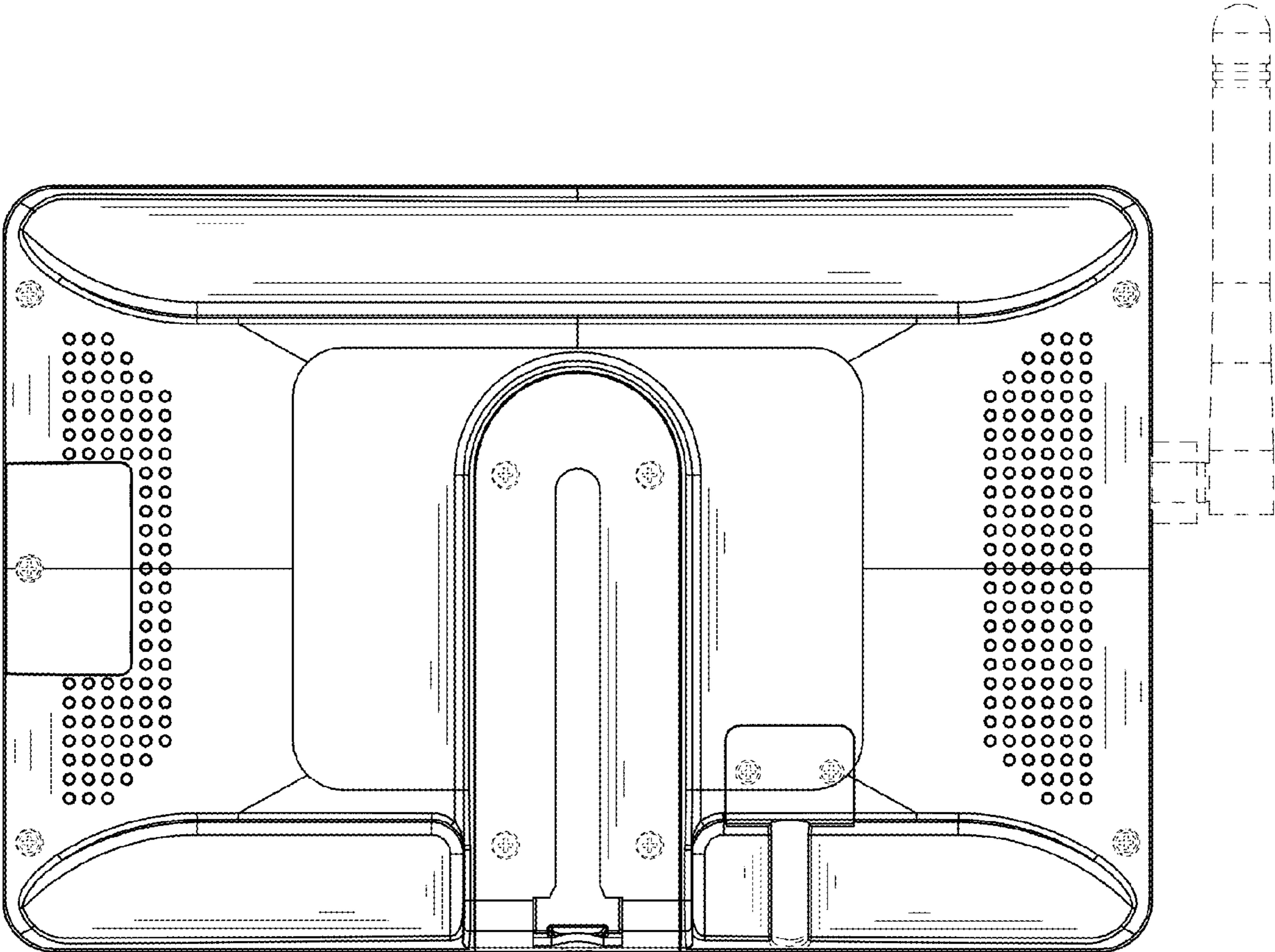


FIG. 4

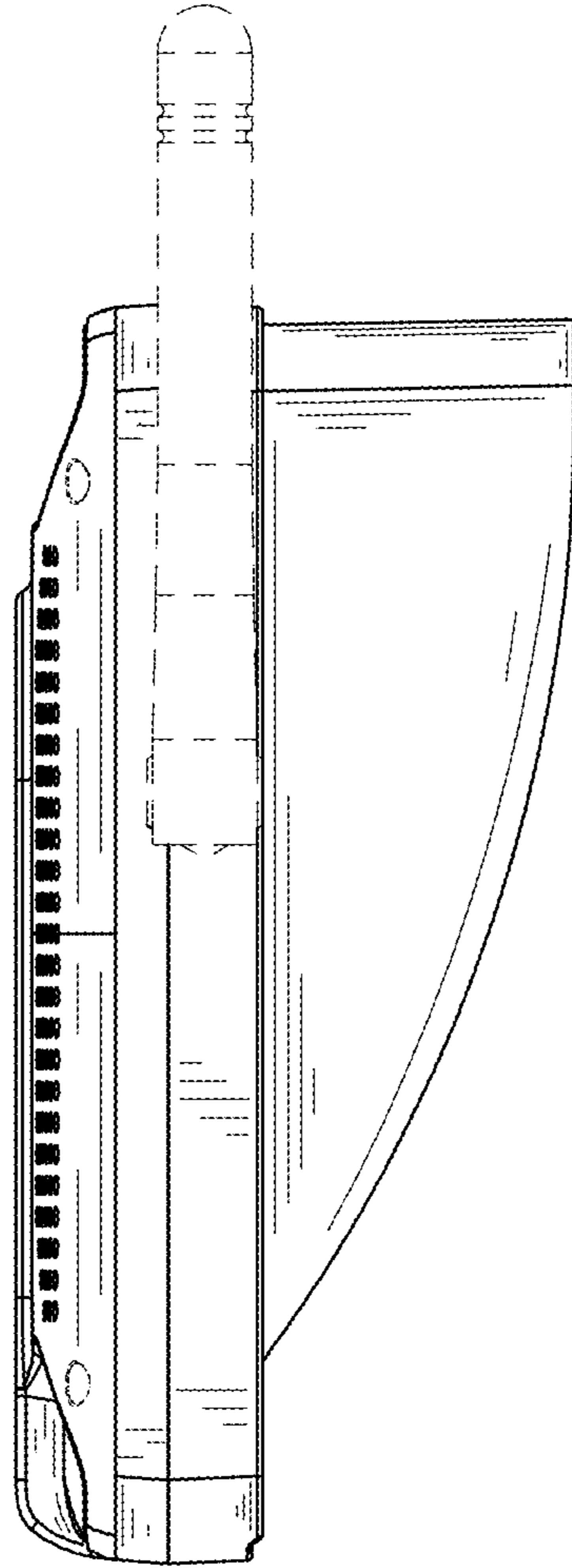


FIG. 5

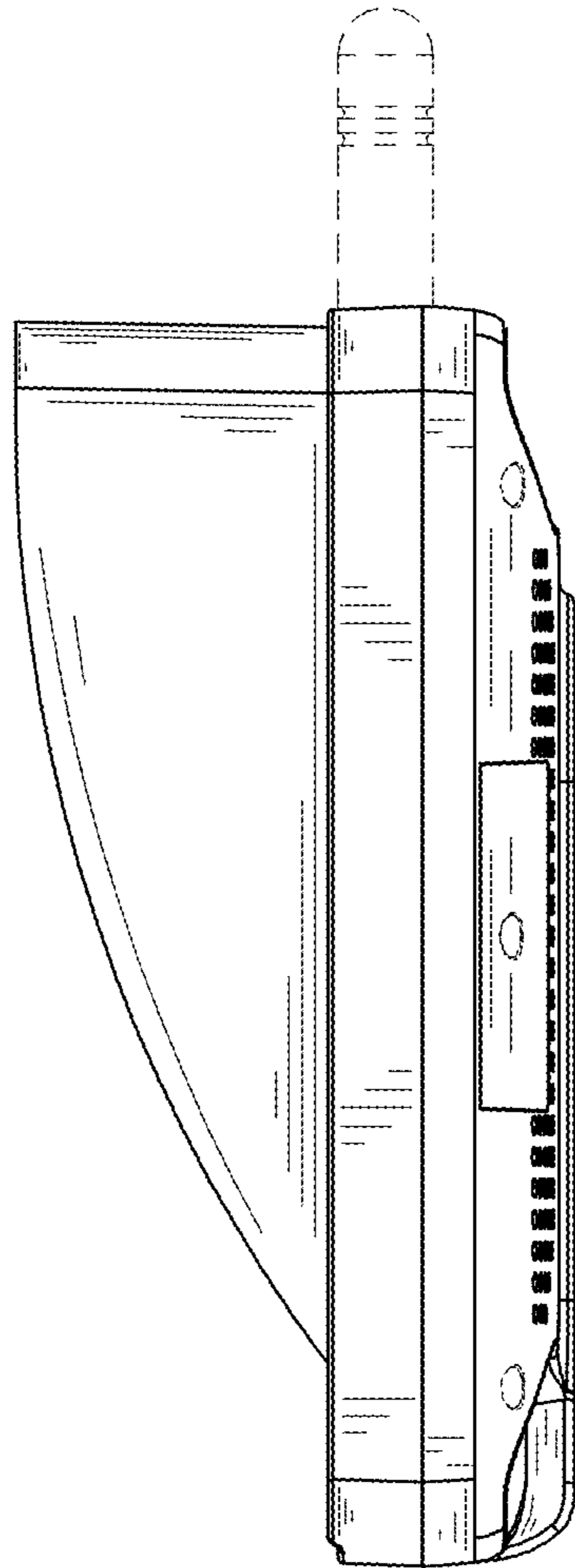


FIG. 6

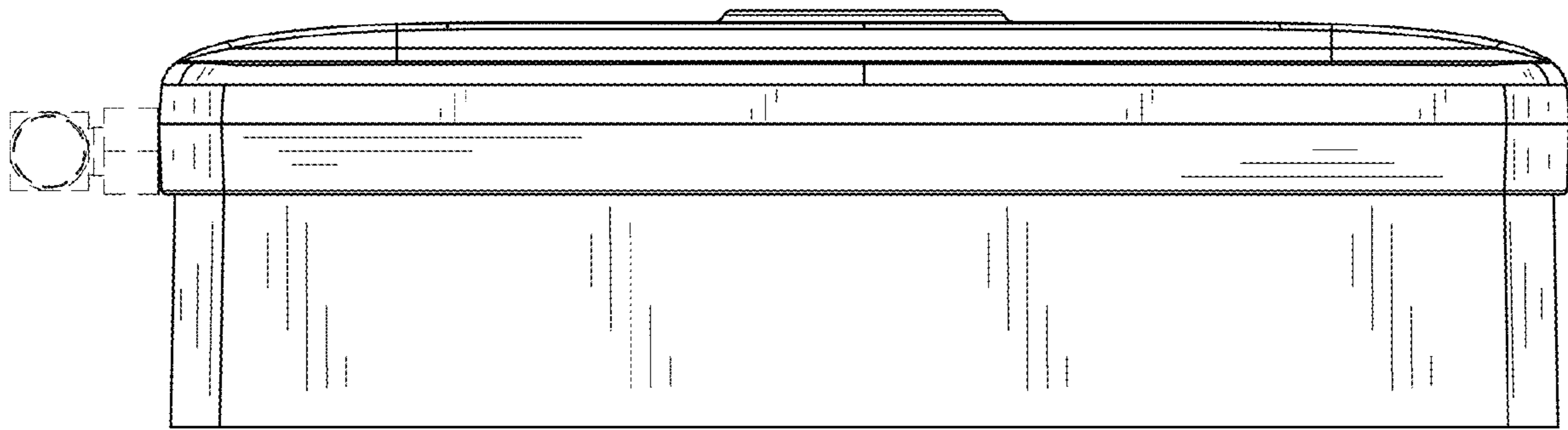


FIG. 7

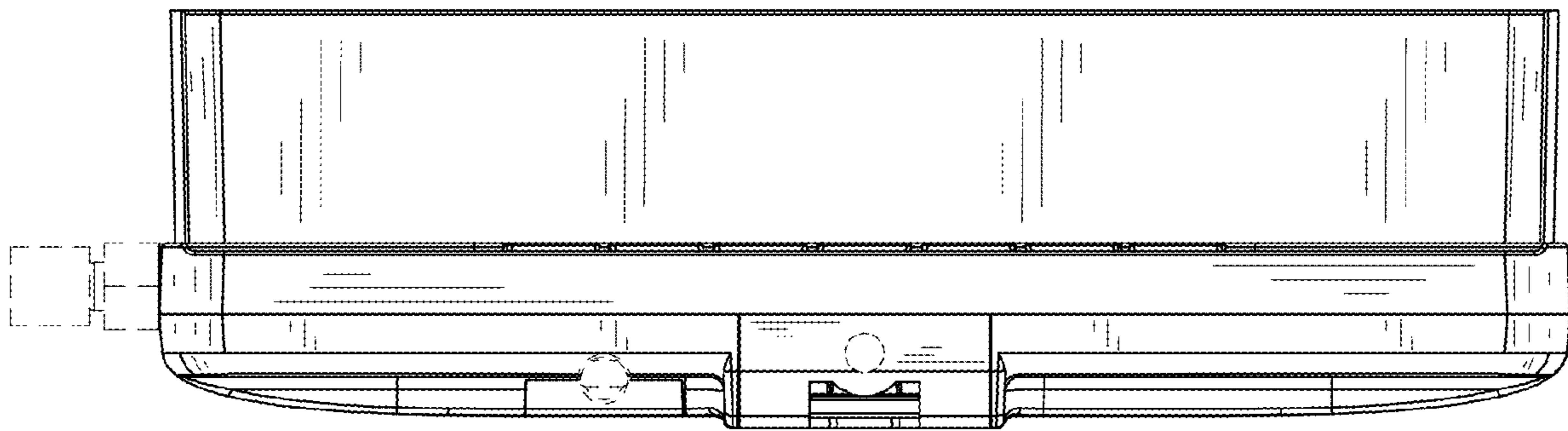


FIG. 8

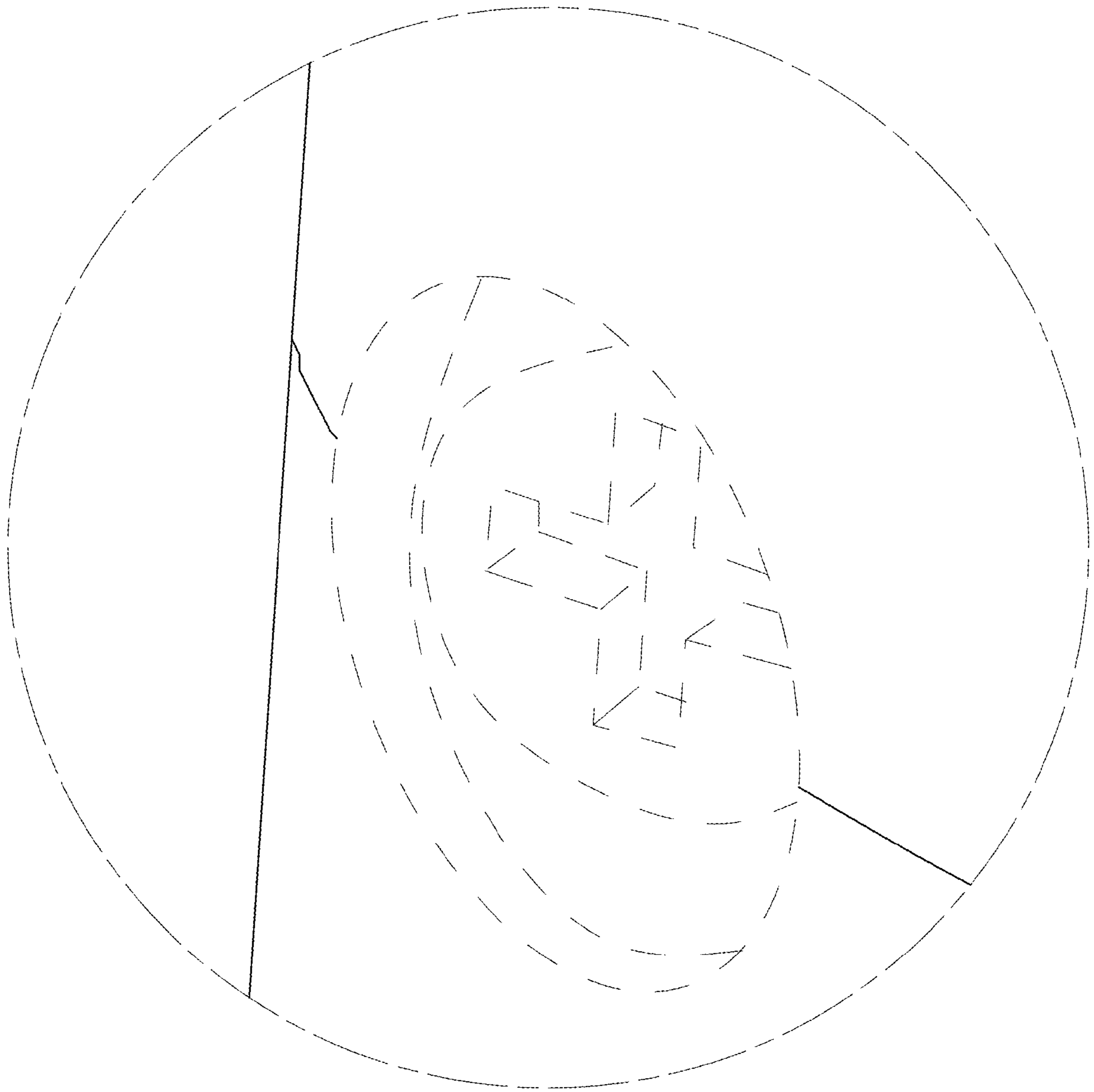


FIG. 9