



US00D961534S

(12) **United States Design Patent** (10) **Patent No.:** **US D961,534 S**
Merriken et al. (45) **Date of Patent:** **** Aug. 23, 2022**

(54) **ROLLER CAP**

(71) Applicant: **CATERPILLAR INC.**, Peoria, IL (US)
(72) Inventors: **Charles B. Merriken**, Lacon, IL (US);
Harry X. Michael, Dunlap, IL (US)

(73) Assignee: **Caterpillar Inc.**, Peoria, IL (US)

(**) Term: **15 Years**

(21) Appl. No.: **29/727,928**

(22) Filed: **Mar. 13, 2020**

(51) **LOC (13) Cl.** **13-03**

(52) **U.S. Cl.**
USPC **D13/169**

(58) **Field of Classification Search**

USPC D12/123, 160, 179, 180, 174, 178;
D14/403, 404, 402, 407, 408, 409, 217,
D14/218, 356, 388, 389, 400, 401,
D14/412-416, 432-434, 454, 496;
D21/324-333; D34/27, 35; D8/300, 303;
D15/138, 142; D13/169, 170
CPC F16D 55/22; F16D 55/225; F16D 55/226;
F16D 55/227; F16D 55/228; F16D
65/0068; F16D 65/18; F16D 65/183;
F16D 65/58; F16D 65/092; F16D 65/12;
F16D 65/068; F16D 65/0975; F16D
2055/0016; B60T 1/065; B60T 13/588;
B62D 1/22; G05G 9/047

See application file for complete search history.

(56) **References Cited**

U.S. PATENT DOCUMENTS

D412,703 S * 8/1999 Lorenz D14/416
D441,370 S * 5/2001 Alviar D14/413
D534,168 S * 12/2006 Wada D14/407
D534,535 S * 1/2007 Tzeng D14/407
7,334,658 B2 2/2008 Berg et al.
D582,356 S * 12/2008 Yamanaka D13/169
D598,021 S * 8/2009 Kujawski D14/409

(Continued)

OTHER PUBLICATIONS

Elobau.com. "Präzise und ergonomische Maschinensteuerung" First published Jun. 16, 2018. Retrieved Feb. 11, 2021. (<https://www.elobau.com/de/news/praezise-und-ergonomische-maschinensteuerung/>).*

(Continued)

Primary Examiner — Susan E Krakower

Assistant Examiner — Jerry Shiuian-Hua Hsu

(74) *Attorney, Agent, or Firm* — Finnegan, Henderson, Farabow, Garrett & Dunner, LLP

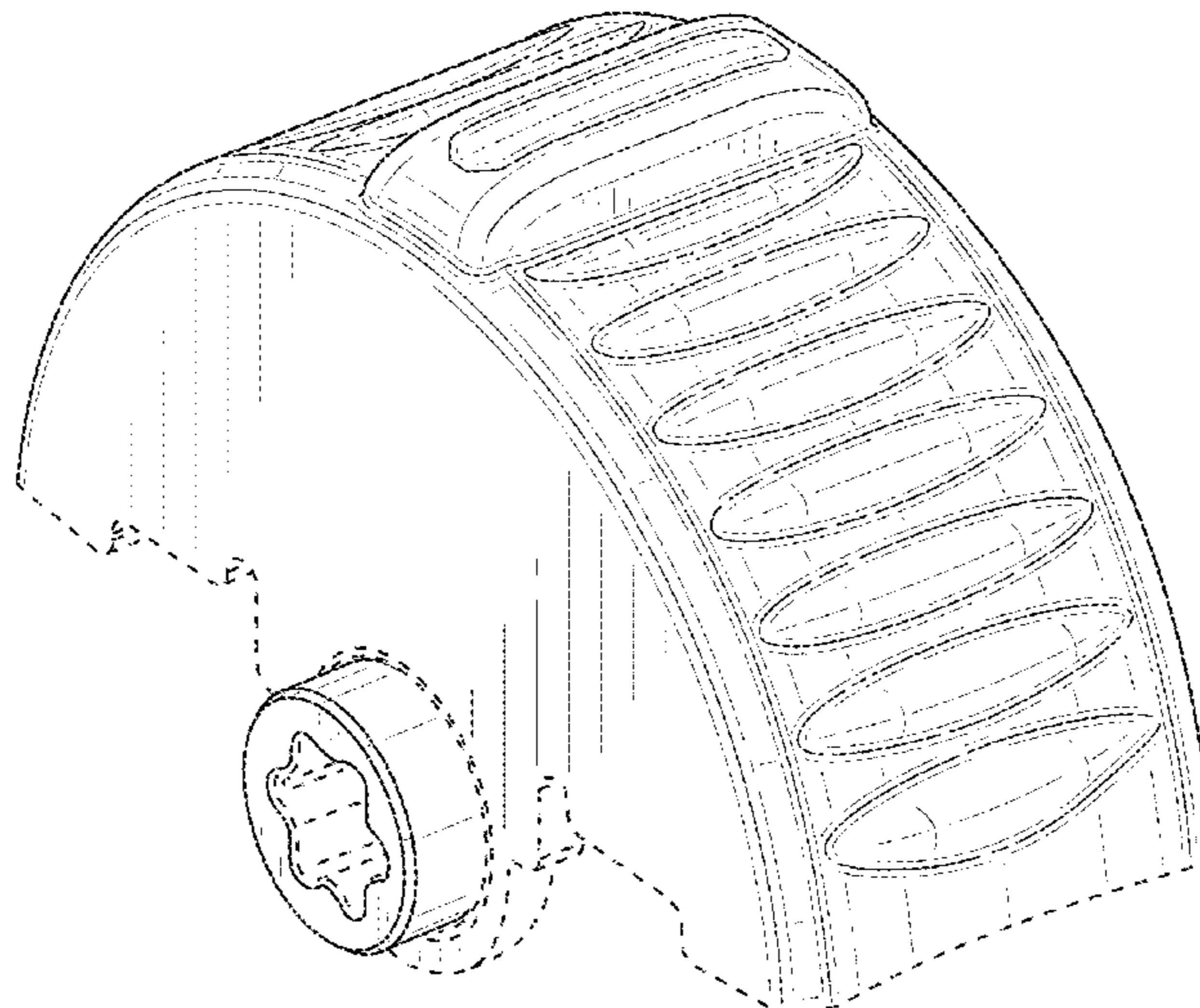
(57) **CLAIM**

The ornamental design for a roller cap, as shown and described.

DESCRIPTION

FIG. 1 is a front, left, top perspective view of a roller cap showing our new design;
FIG. 2 is a rear, right, top perspective view thereof;
FIG. 3 is a left, bottom perspective view thereof;
FIG. 4 is a left side view thereof;
FIG. 5 is a right side view thereof;
FIG. 6 is a rear elevation view thereof;
FIG. 7 is a front elevation view thereof;
FIG. 8 is a top plan view thereof;
FIG. 9 is a bottom plan view thereof;
FIG. 10 is a front, left, top perspective view thereof shown in a state of use;
FIG. 11 is a rear, right, top perspective view thereof shown in a state of use; and,
FIG. 12 is a top plan view thereof shown in a state of use. The broken lines illustrate portions of the roller cap that form no part of the claimed design. The broken lines depicting a flat surface in FIGS. 10-12 show environmental structure that form no part of the claimed design.

1 Claim, 12 Drawing Sheets



(56)

References Cited

U.S. PATENT DOCUMENTS

D603,809 S * 11/2009 Mathew D13/169
D611,434 S * 3/2010 Maehara D13/169
7,838,789 B2 11/2010 Staffers et al.
D643,077 S * 8/2011 Olason D21/696
D643,484 S * 8/2011 Olason D21/696
8,212,770 B2 * 7/2012 Obourn G05G 9/047
345/161
8,746,395 B2 6/2014 Frazier et al.
8,979,208 B2 3/2015 Roach et al.
D740,886 S * 10/2015 Beams D21/333
D745,009 S * 12/2015 Jensen D14/415
D767,685 S * 9/2016 Beams D21/333
9,790,661 B2 10/2017 Hand et al.
D907,546 S * 1/2021 Bock D12/180

2006/0137931 A1* 6/2006 Berg B62D 1/22
180/333
2015/0101440 A1 4/2015 Bonneau et al.

OTHER PUBLICATIONS

Filfar.by. "Elobau Thumbwheel 175D" First retrieved Jul. 25, 2019. Retrieved Feb. 11, 2021. (<http://www.filfar.by/PDF/elobau/2605.pdf>).*
Elobau Sensor Technology, Inc., Thumbwheel 151DT01 Product Data Sheet (Mar. 11, 2020), <https://www.elobau.com/en/product/operator-controls/operate-control/thumbwheels/thumbwheel-151dt01/> (4 pages).
APEM, HR Series Datasheet, <https://www.apem.com/us/hr-series-82.html> (last visited Mar. 11, 2020) (5 pages).

* cited by examiner

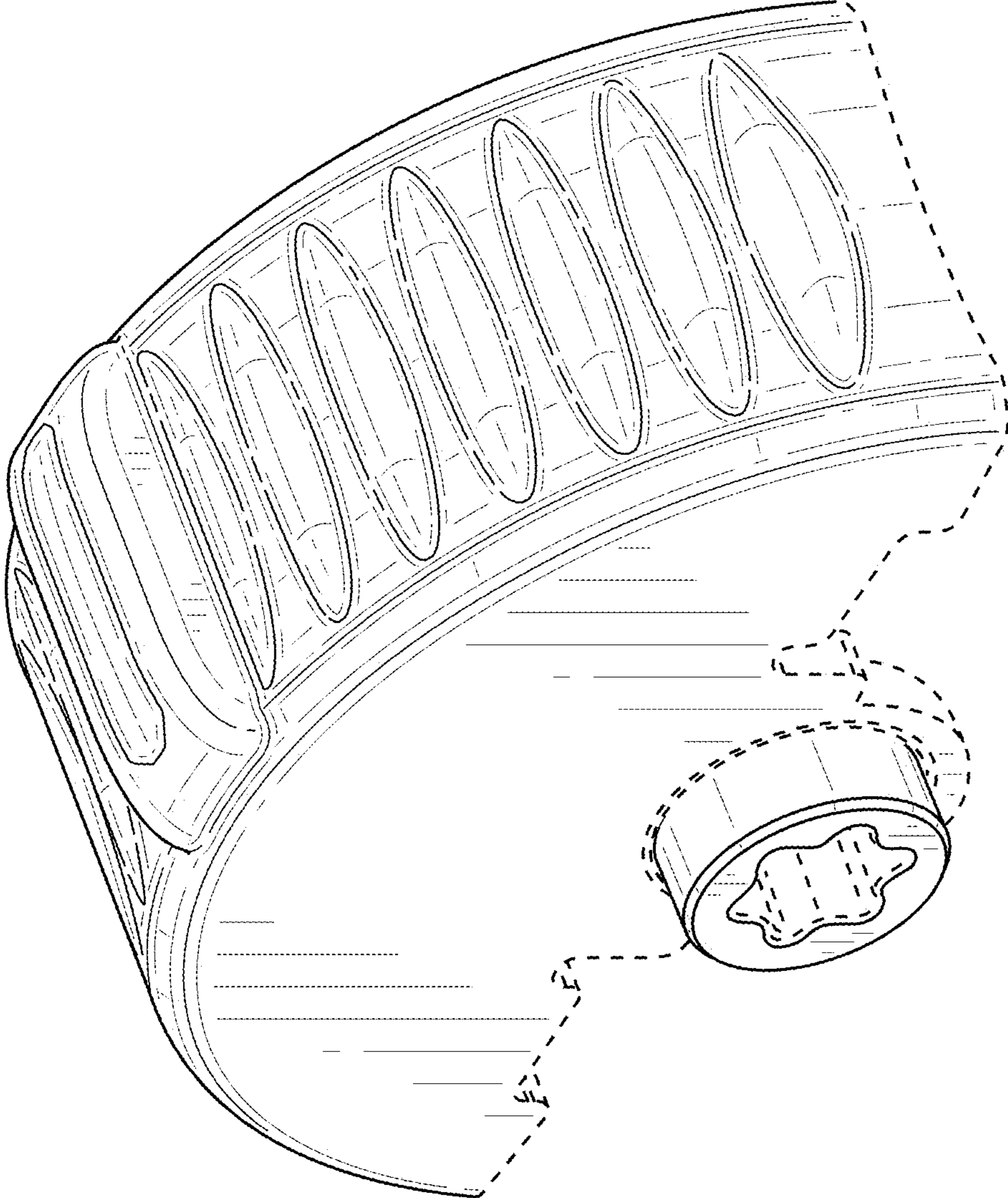


FIG. 1

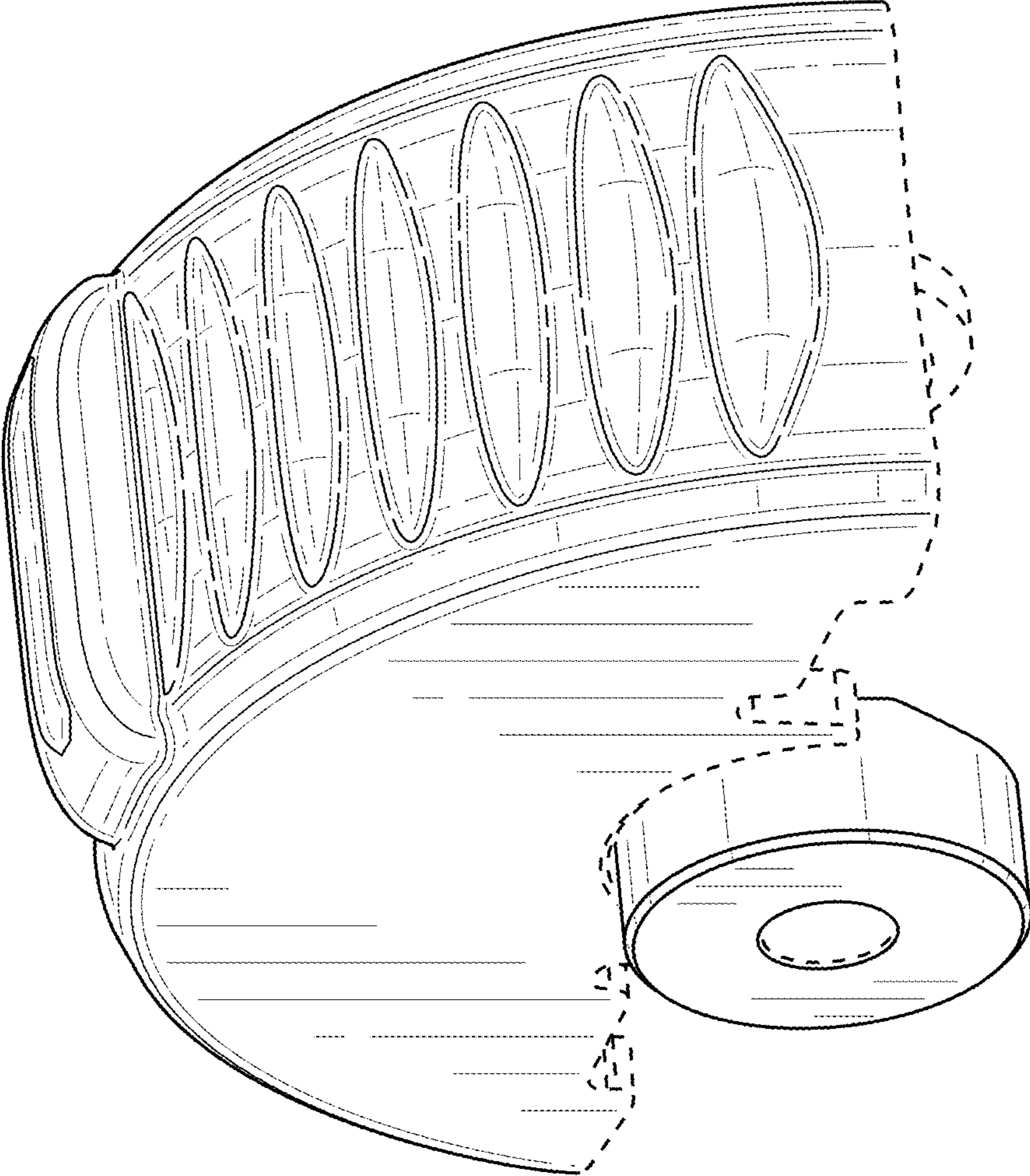


FIG. 2

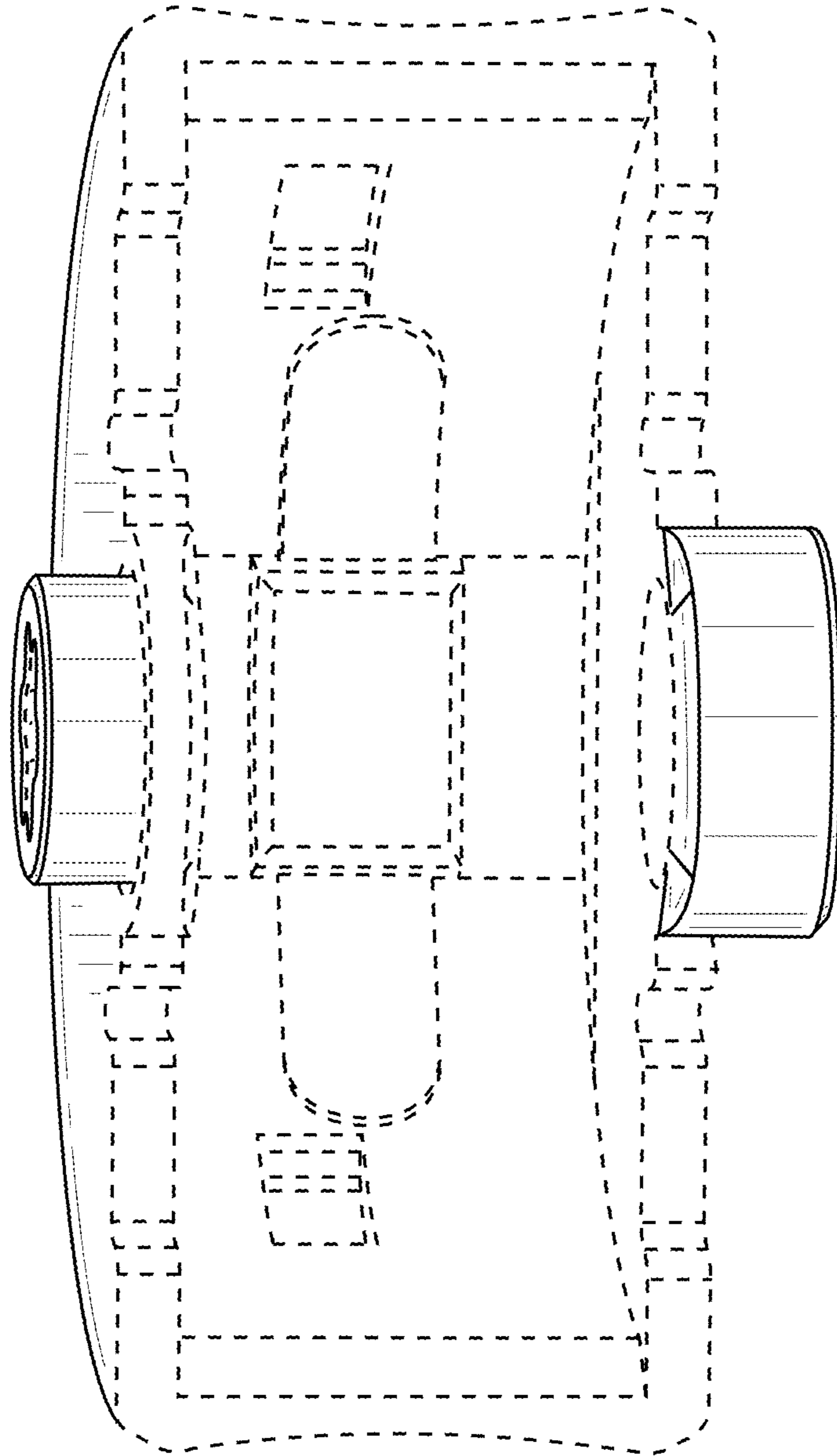


FIG. 3

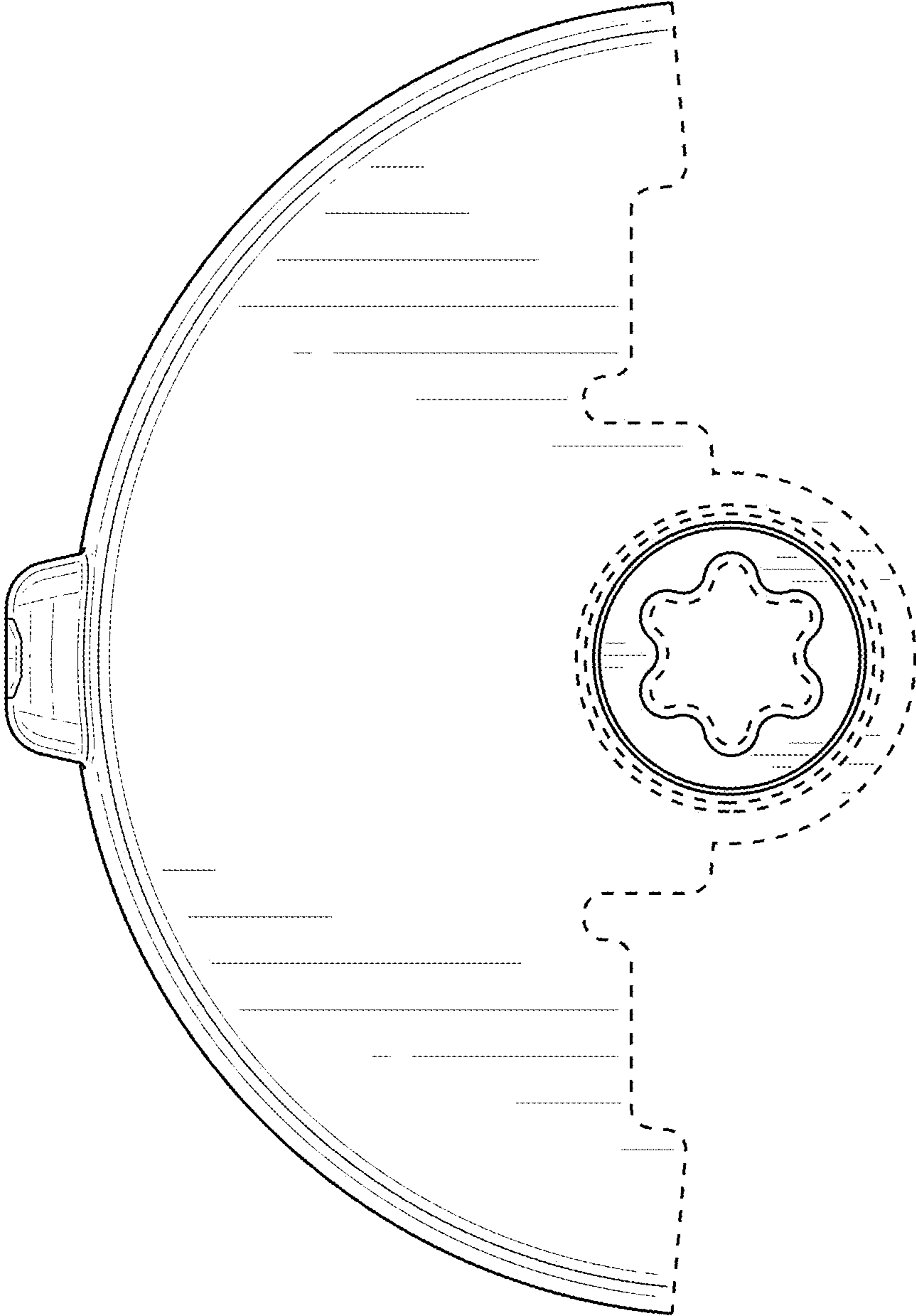


FIG. 4

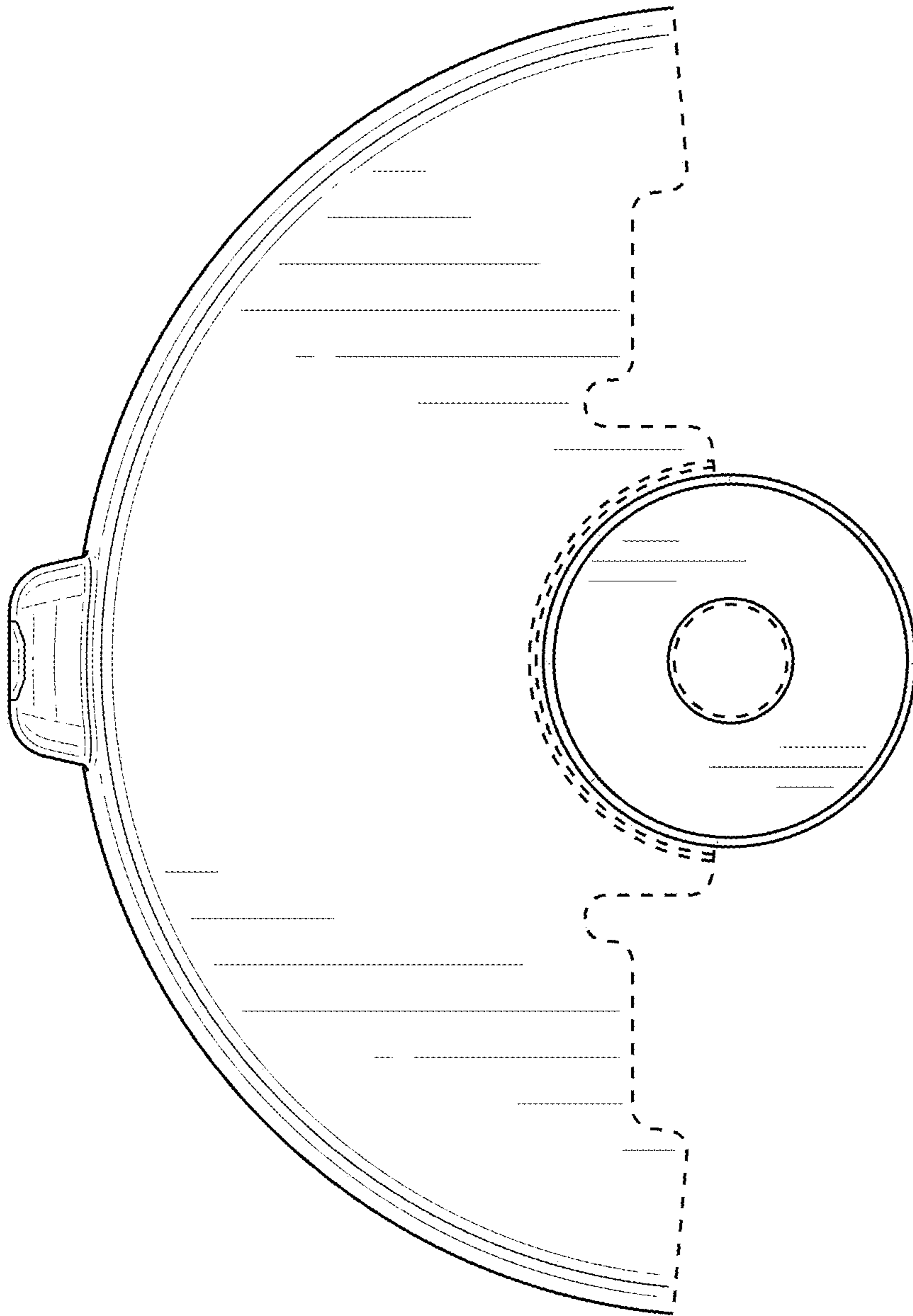


FIG. 5

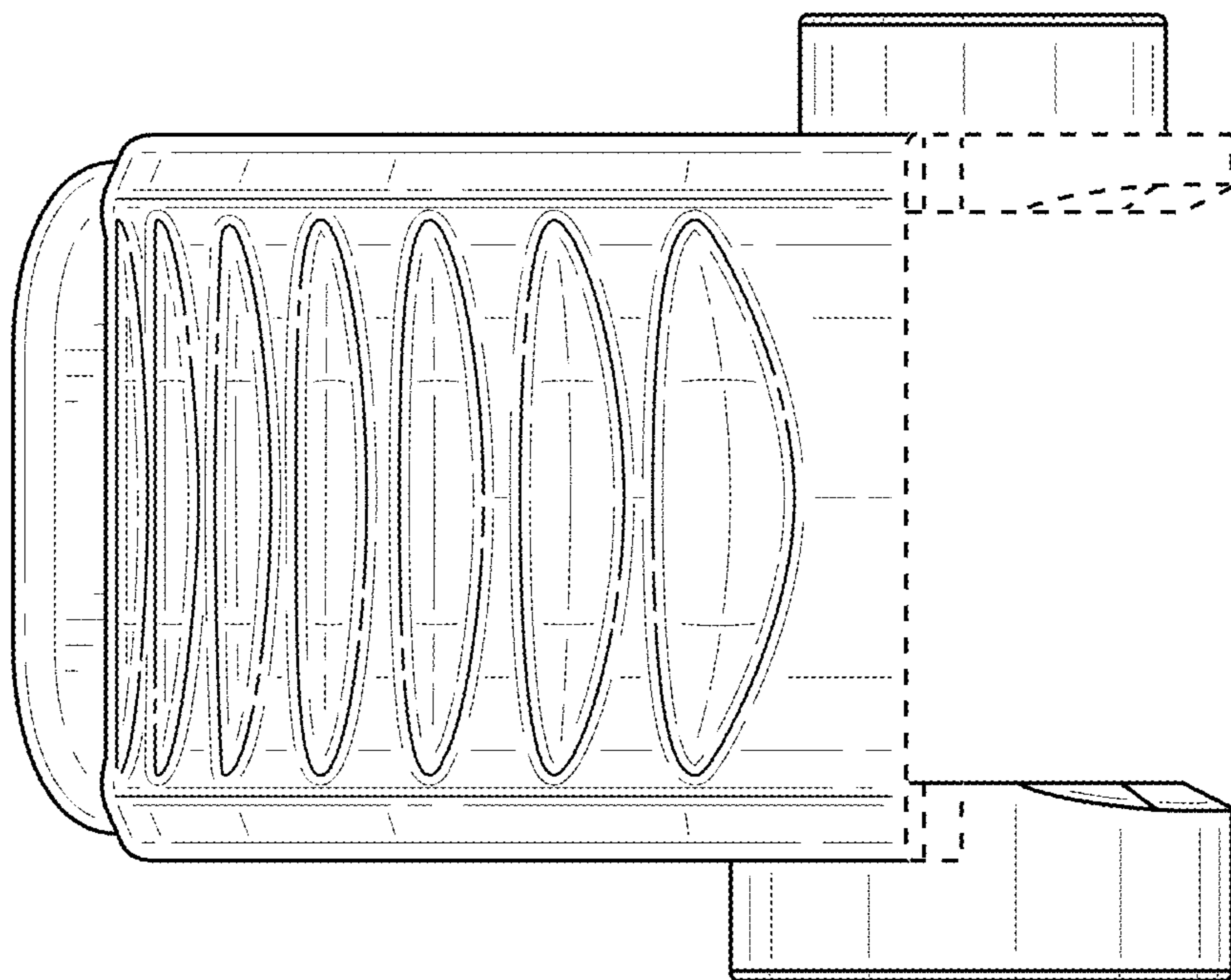


FIG. 6

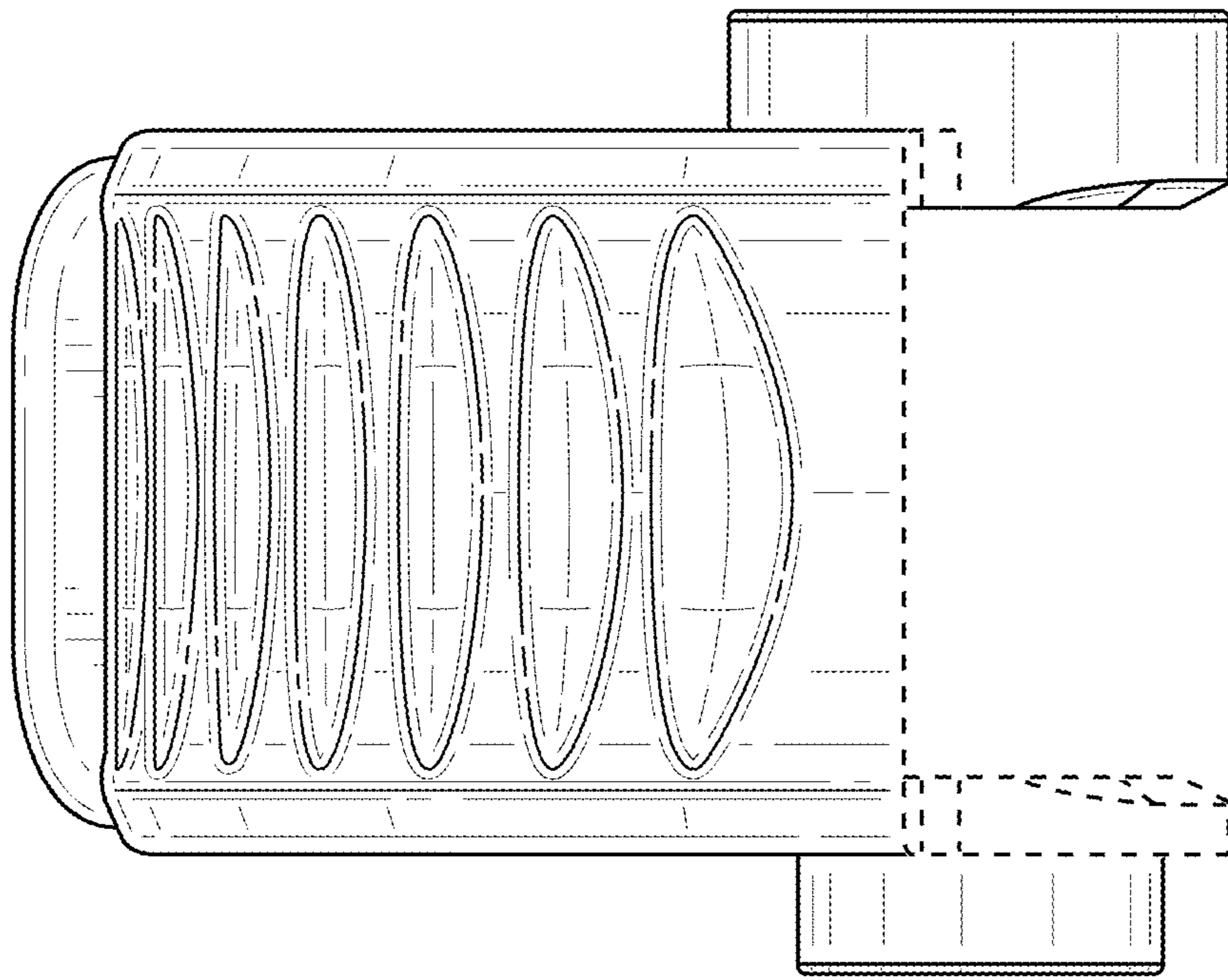


FIG. 7

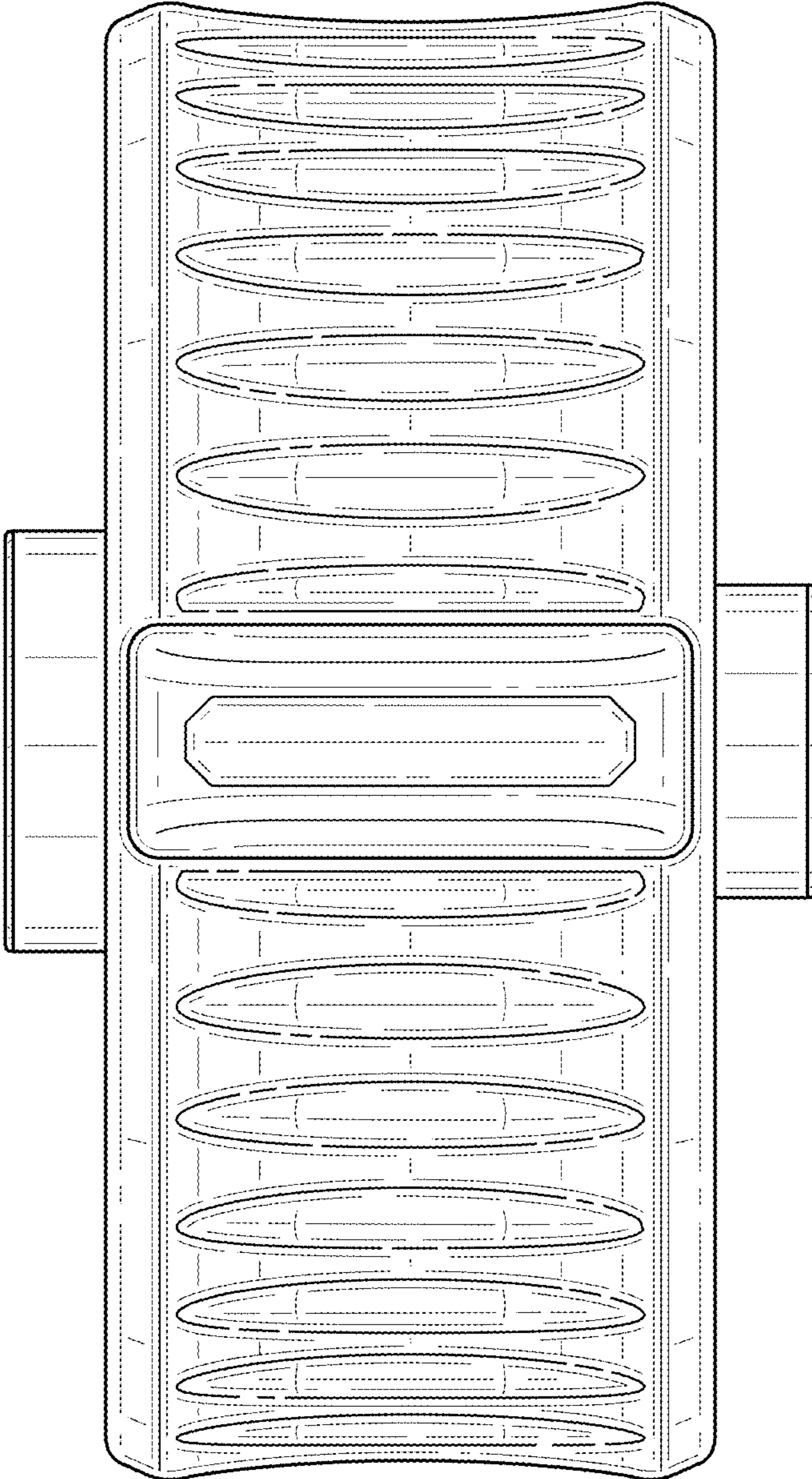


FIG. 8

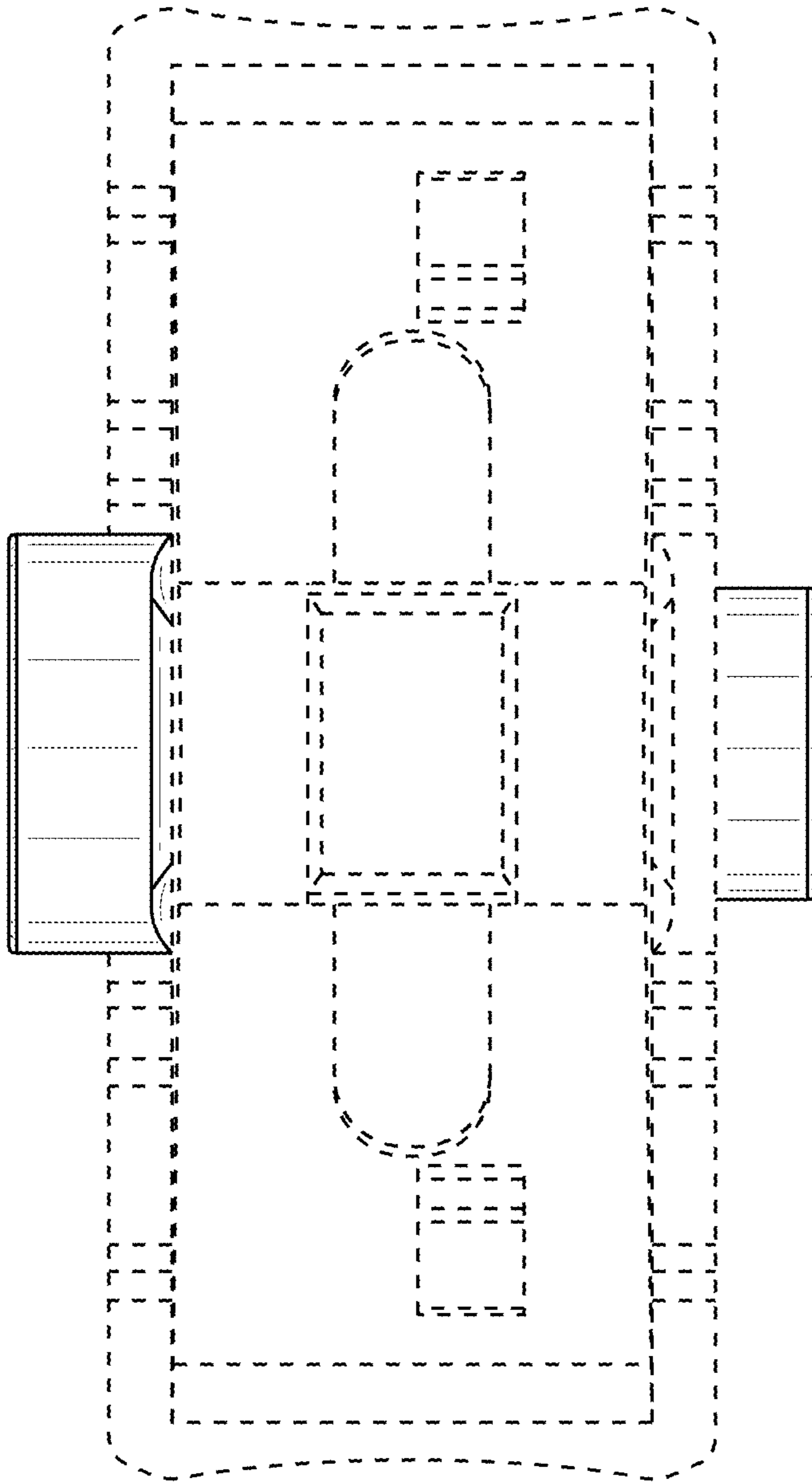


FIG. 9

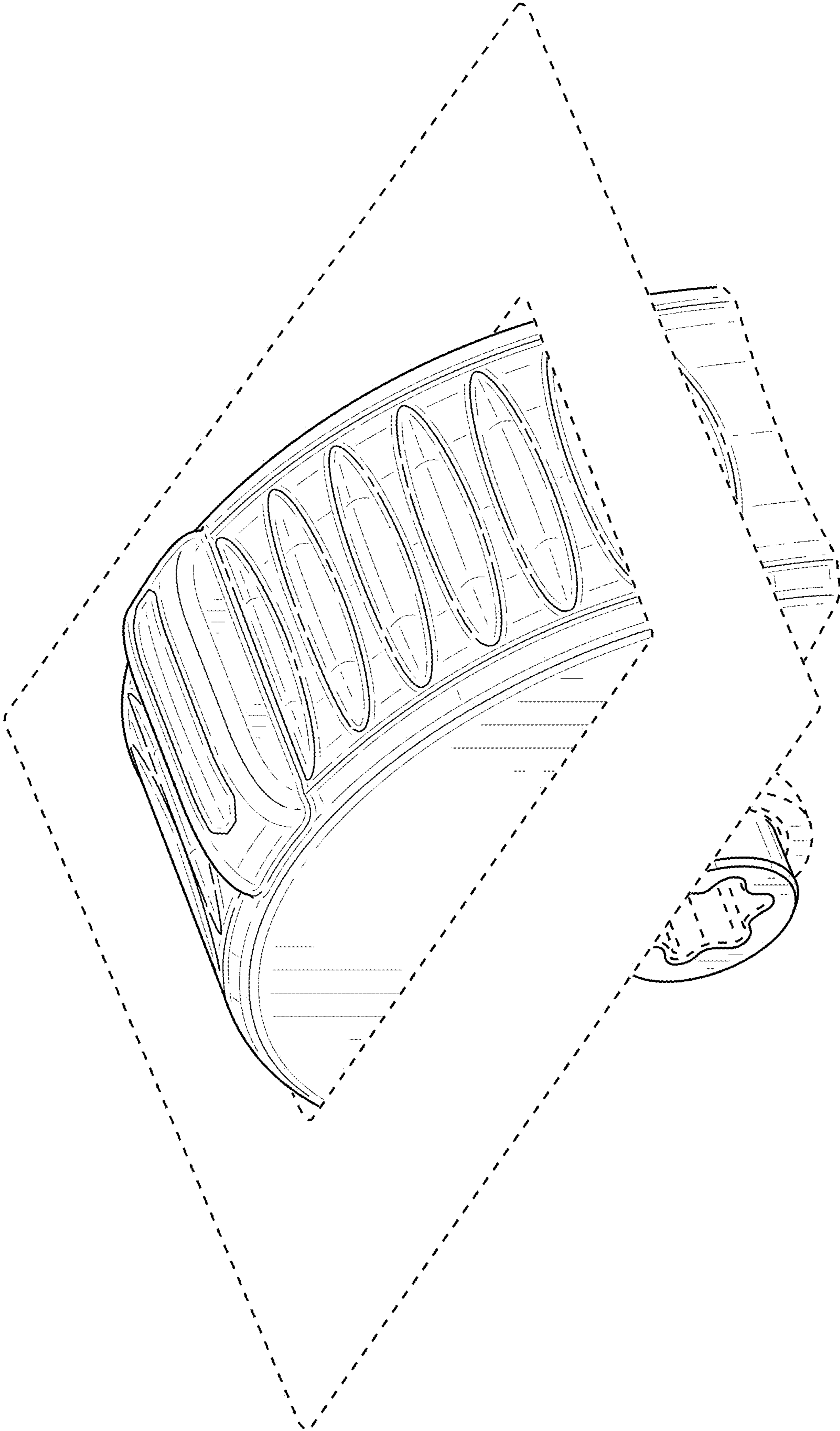


FIG. 10

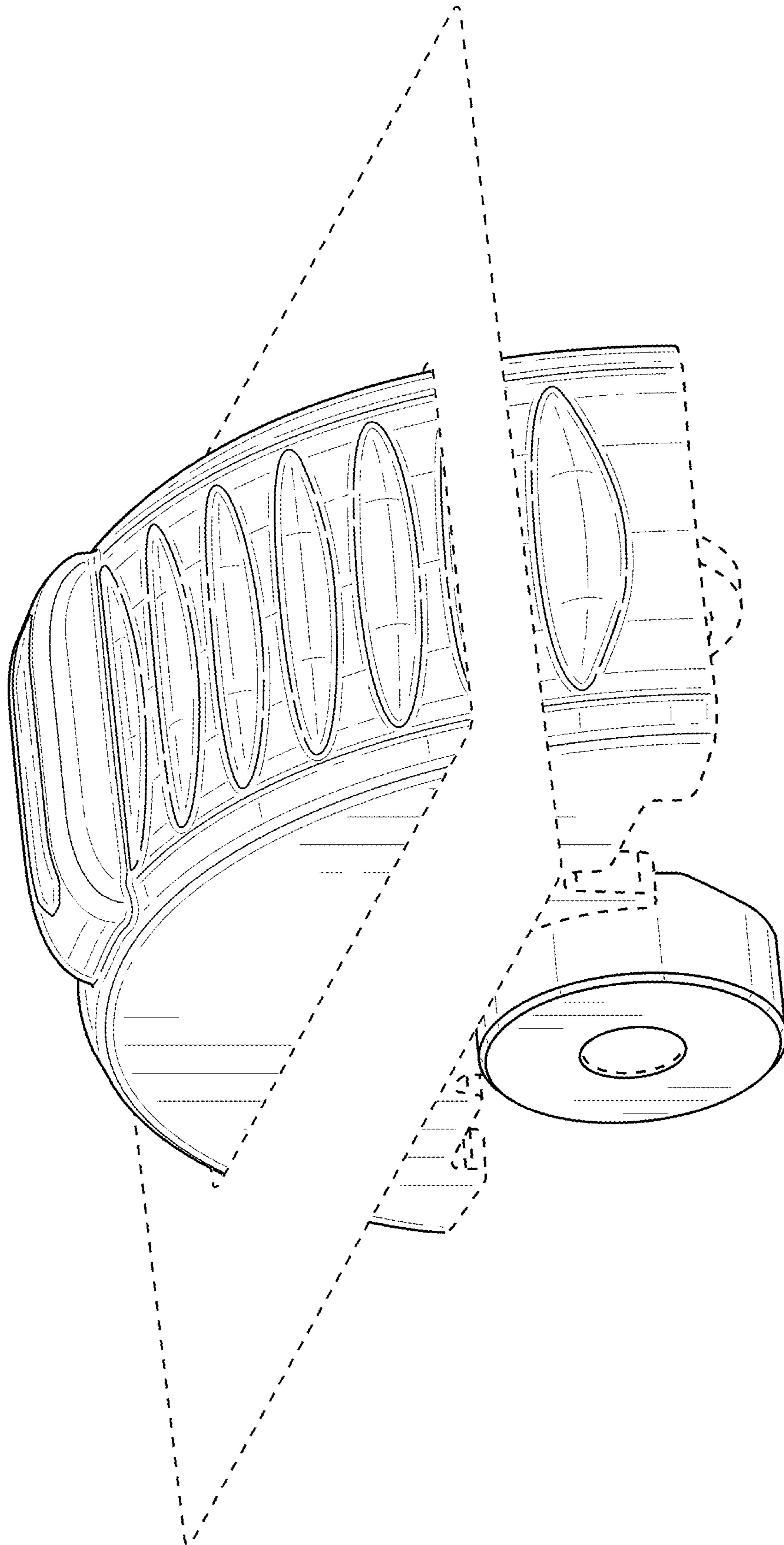


FIG. 11

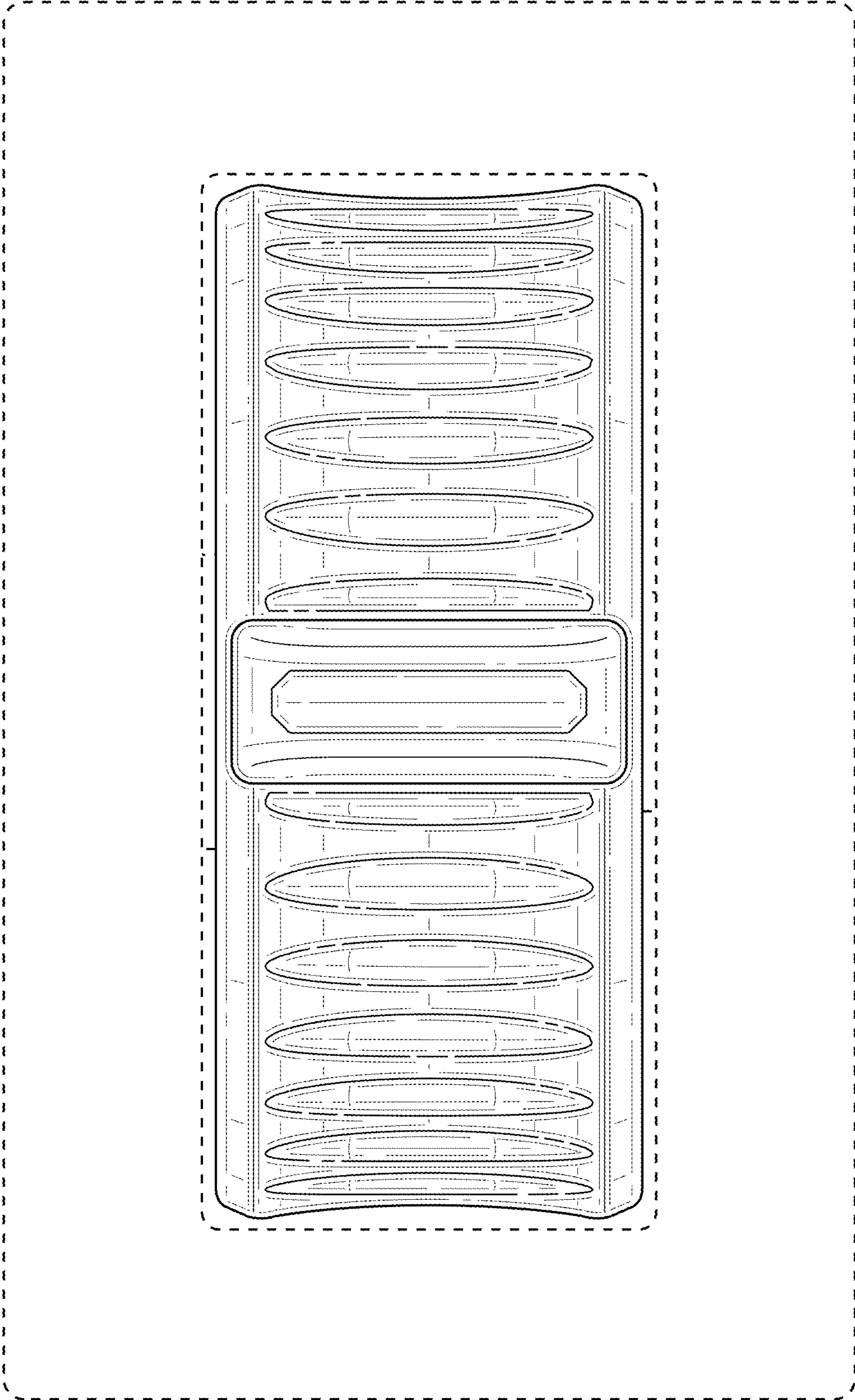


FIG. 12