



US00D961532S

(12) **United States Design Patent**  
**Dhupar et al.**

(10) **Patent No.:** **US D961,532 S**

(45) **Date of Patent:** **\*\* Aug. 23, 2022**

(54) **FOOT SWITCH FOR A MEDICAL DEVICE**

(71) Applicant: **Dhupar Innovations, LLC**, Windsor, CO (US)

(72) Inventors: **Scott Dhupar**, Windsor, CO (US);  
**David Halleck**, Frederick, CO (US);  
**Marc Hanchak**, Denver, CO (US);  
**Shane Korthuis**, Denver, CO (US);  
**Alice Mayfield**, Denver, CO (US);  
**Philip Rowe**, Denver, CO (US); **David Stotz**, Thornton, CO (US)

(73) Assignee: **Dhupar Innovations, LLC**, Windsor, CO (US)

(\*\*) Term: **15 Years**

(21) Appl. No.: **29/745,818**

(22) Filed: **Aug. 10, 2020**

(51) **LOC (13) Cl.** ..... **13-03**

(52) **U.S. Cl.**  
USPC ..... **D13/167**

(58) **Field of Classification Search**  
USPC ..... D13/167, 173, 199; D15/72; D17/20,  
D17/99; D24/179; D14/179  
CPC ..... G10H 1/0008; G10H 1/0056; G10H 1/32;  
G10H 1/34; G10H 1/344; G10H 1/46;  
G10H 1/146; G10H 1/348; G10H 3/146;  
H01H 13/14; H01H 13/16; A61B  
2017/00973  
See application file for complete search history.

(56) **References Cited**

U.S. PATENT DOCUMENTS

D264,973 S \* 6/1982 Hanyu ..... D15/72  
4,751,354 A \* 6/1988 Walthall ..... H01H 21/26  
200/322  
5,132,498 A \* 7/1992 Lee ..... H01H 13/16  
200/523

D379,349 S \* 5/1997 Nichols ..... D13/167  
6,969,811 B1 \* 11/2005 Lai ..... H01H 9/161  
200/61.85  
D519,467 S \* 4/2006 Chow ..... D13/167  
7,439,463 B2 \* 10/2008 Brenner ..... A61C 1/0023  
200/86.5  
D660,255 S \* 5/2012 James ..... D13/167  
10,777,373 B2 \* 9/2020 Lebreton ..... H01H 21/26

(Continued)

OTHER PUBLICATIONS

Dental Chair Foot Pedal\_dental Foot Switch; retrieved on Jan. 13, 2022; 1 pg.;[https://www.alibaba.com/product-detail/Dental-chair-foot-pedal-dental-foot\\_60005114124.html](https://www.alibaba.com/product-detail/Dental-chair-foot-pedal-dental-foot_60005114124.html).\*

(Continued)

*Primary Examiner* — Selina Sikder

(74) *Attorney, Agent, or Firm* — Schneider IP Law LLC

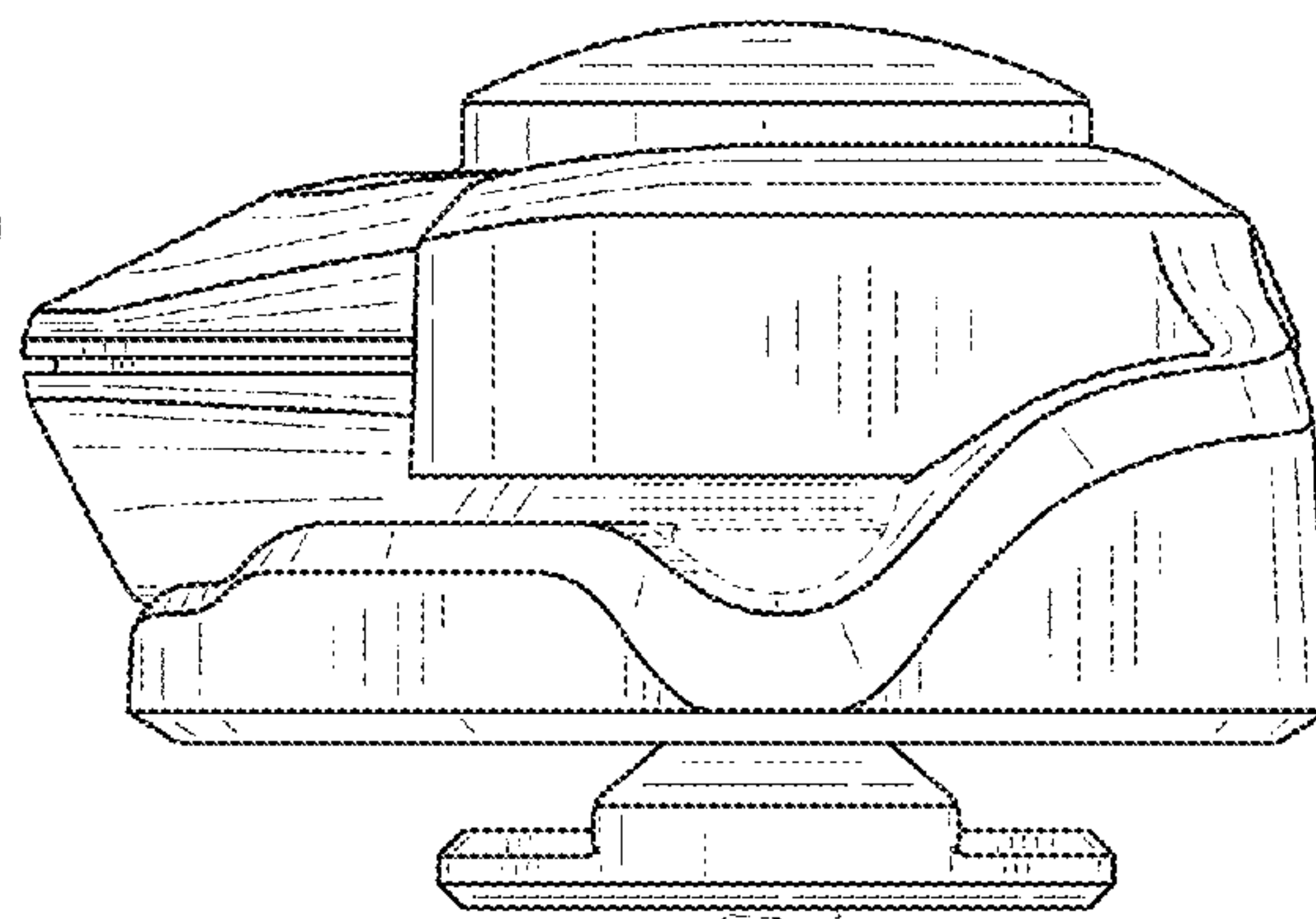
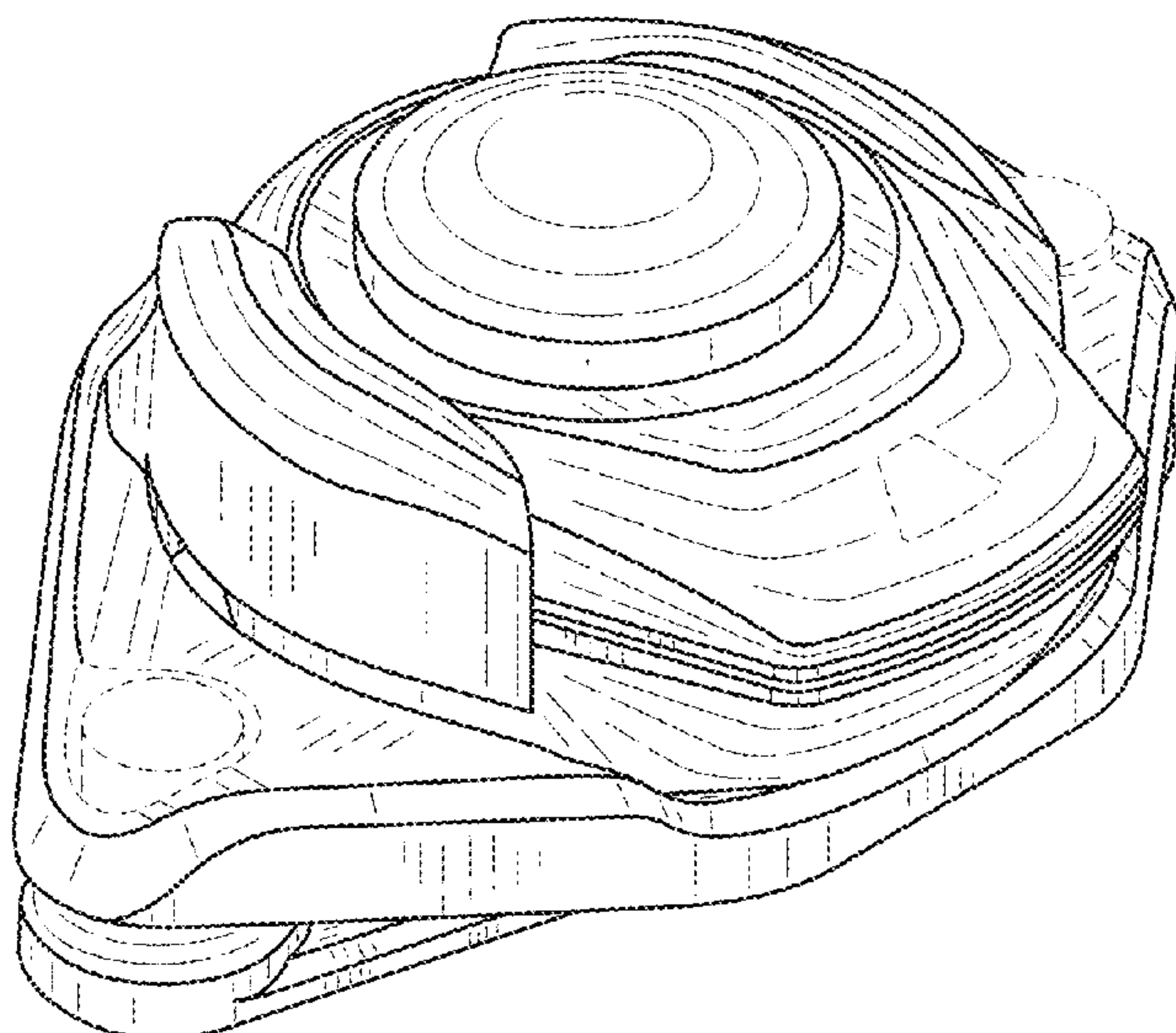
(57) **CLAIM**

The ornamental design for a foot switch for a medical device, as shown and described.

**DESCRIPTION**

FIG. 1 is a top perspective view of the claimed design illustrated in an environment;  
FIG. 2 is a top perspective view of the claimed design;  
FIG. 3 is a bottom perspective view of the claimed design;  
FIG. 4 is a front view of the claimed design;  
FIG. 5 is a back view of the claimed design;  
FIG. 6 is a right side view of the claimed design;  
FIG. 7 is a left side view of the claimed design;  
FIG. 8 is a top view of the claimed design; and,  
FIG. 9 is a bottom view of the claimed design.  
The figures illustrate a foot switch for a medical device. Features of the article that are not shown are disclaimed. Additionally, any features shown in broken lines are for illustrative purposes only and form no part of the claimed design.

**1 Claim, 9 Drawing Sheets**



(56)

**References Cited**

U.S. PATENT DOCUMENTS

D906,263 S \* 12/2020 Scarleski ..... D13/167  
D916,292 S \* 4/2021 Takahashi ..... D24/179  
2005/0172404 A1\* 8/2005 Diller ..... A61G 13/02  
5/616  
2015/0230879 A1\* 8/2015 Brown ..... G05G 23/00  
74/512

OTHER PUBLICATIONS

PDE Dental Foot Pedal, Jun. 2013; 2 pgs.; <https://www.indiamart.com/proddetail/dental-foot-pedal-16924178673.html>.  
Airel Quetin k2 user manual, pedal control, Apr. 12, 2019; p. 33 of 88; [https://www.airel-quetin.com/sites/default/files/k2\\_user-manual\\_indl\\_04-12-2019\\_en\\_sd.pdf](https://www.airel-quetin.com/sites/default/files/k2_user-manual_indl_04-12-2019_en_sd.pdf).

\* cited by examiner

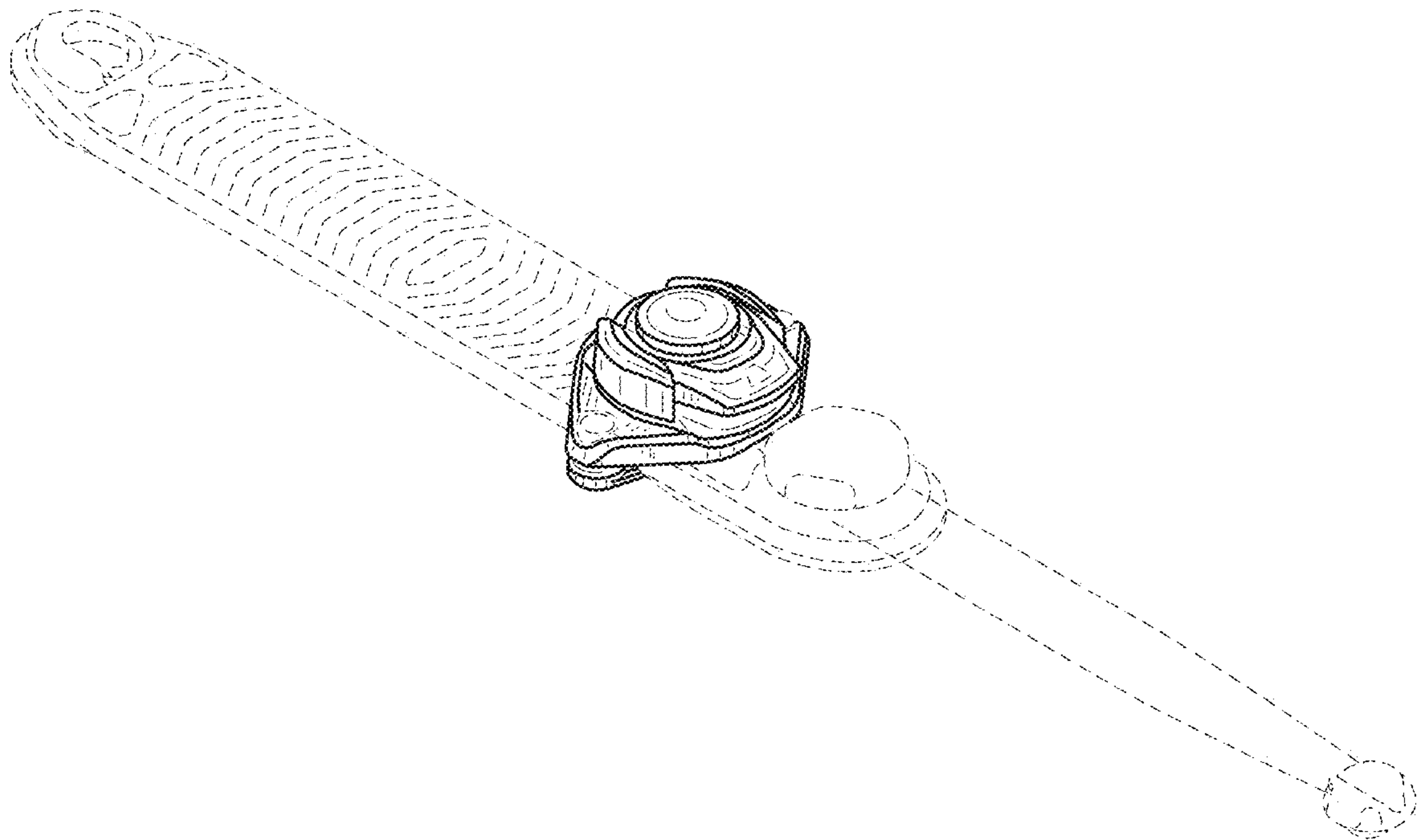


FIG.1

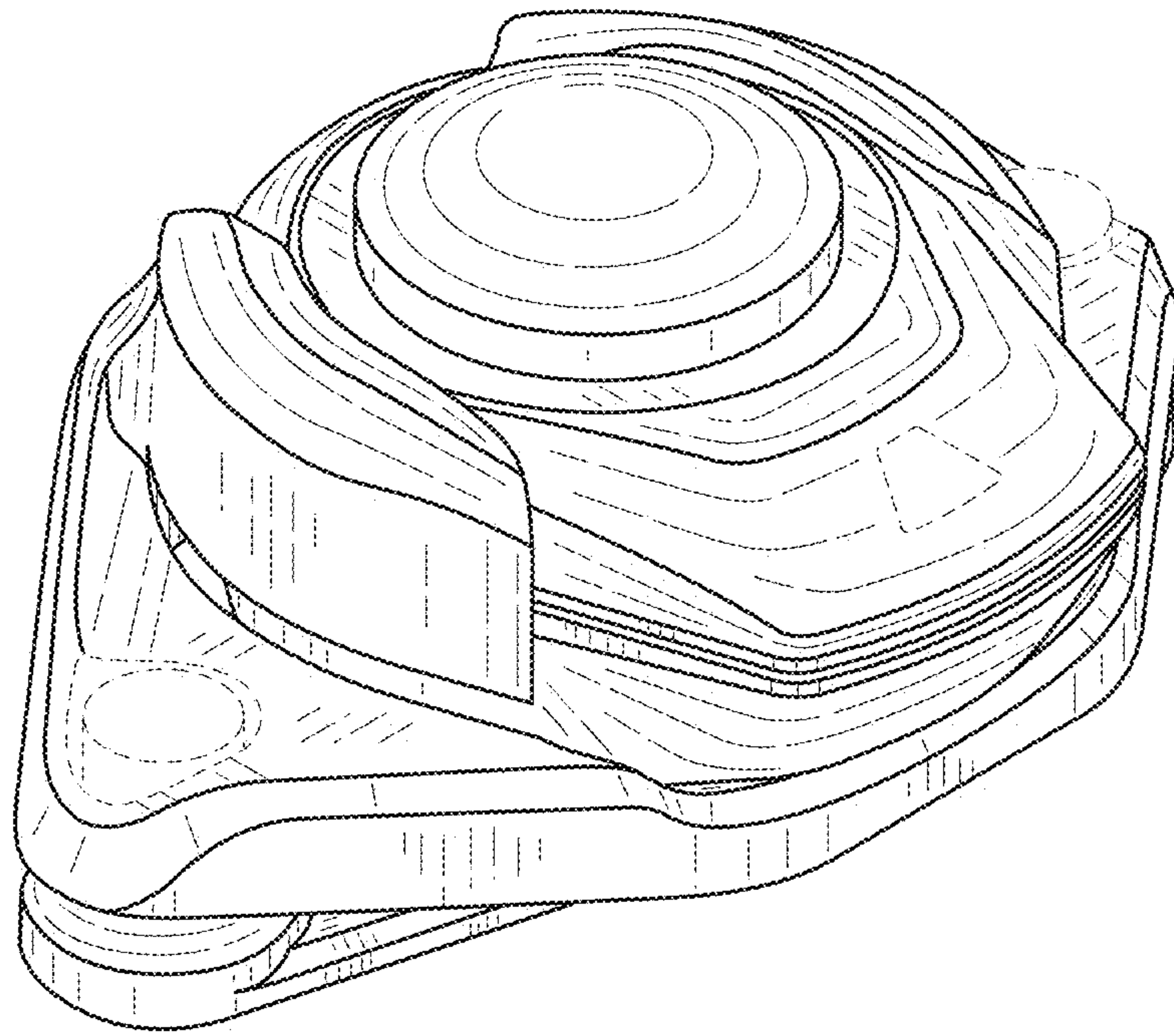


FIG.2



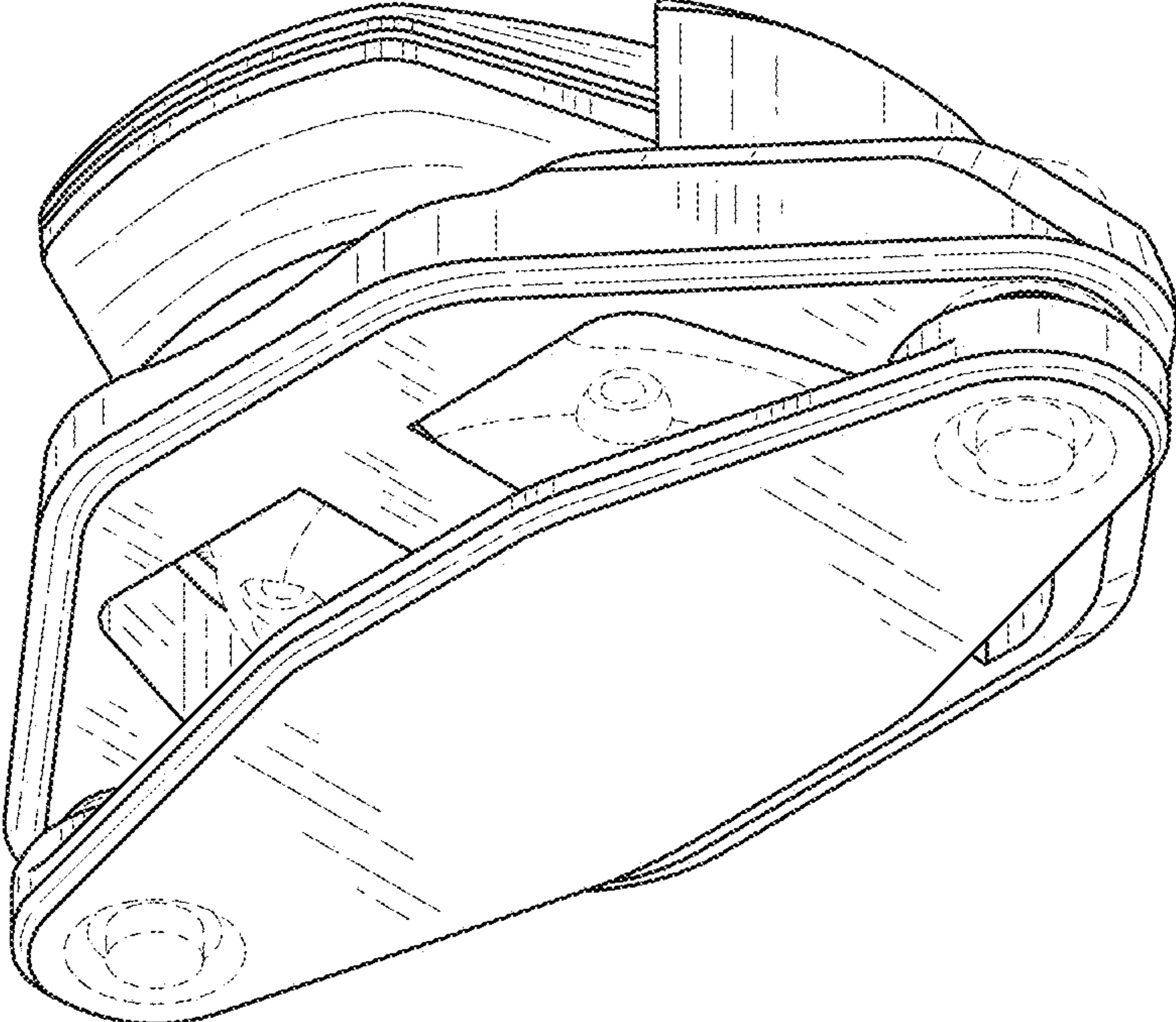


FIG.3

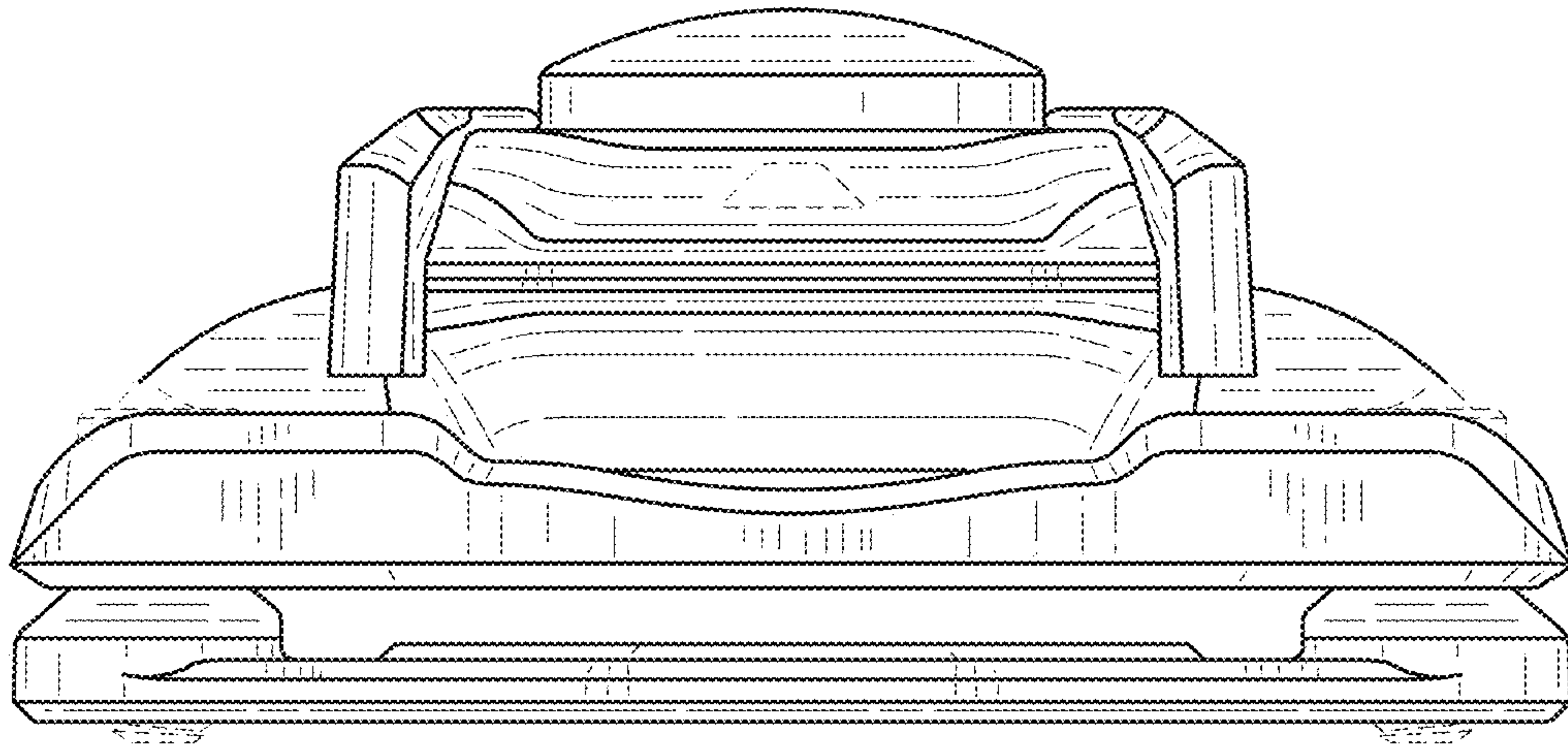


FIG.4

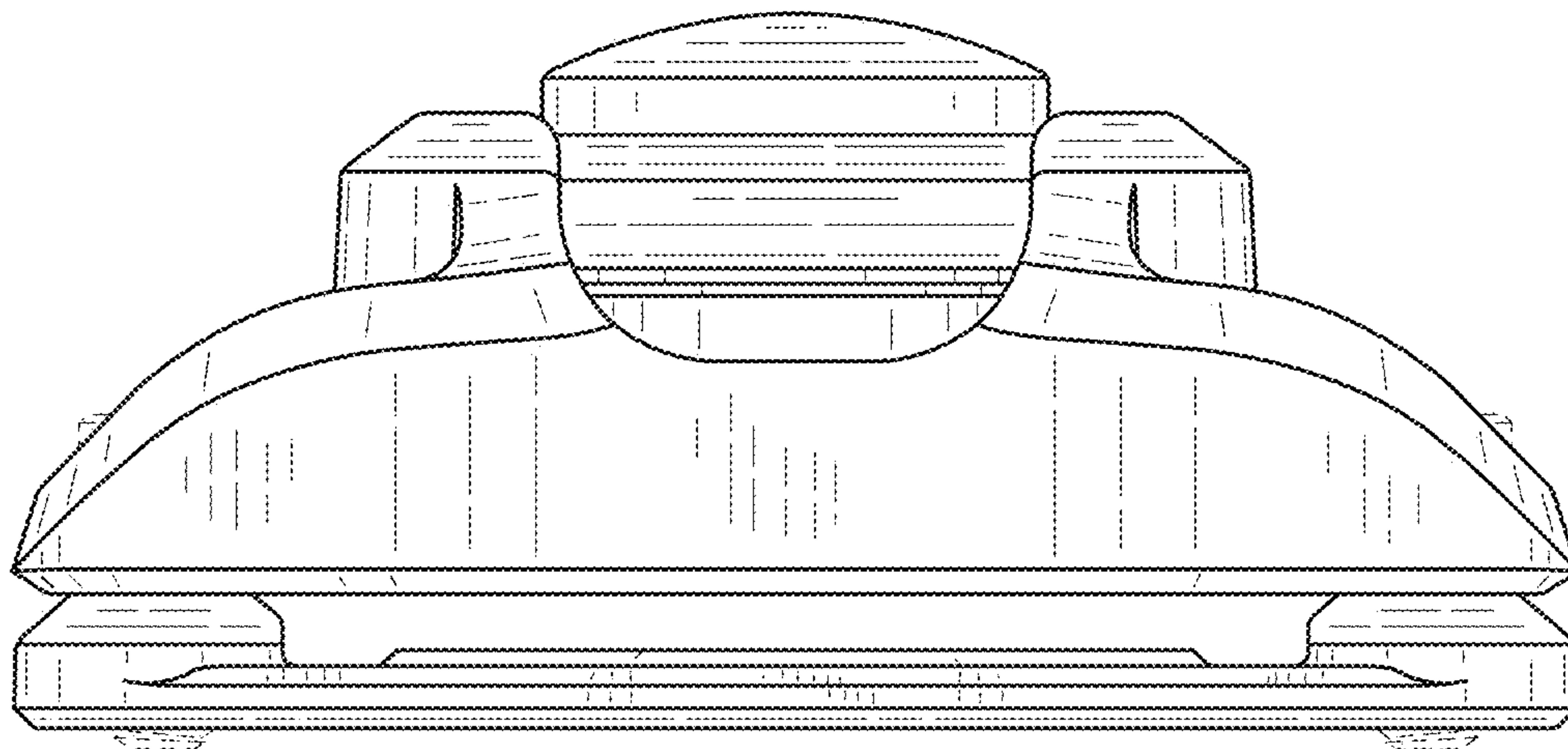


FIG.5

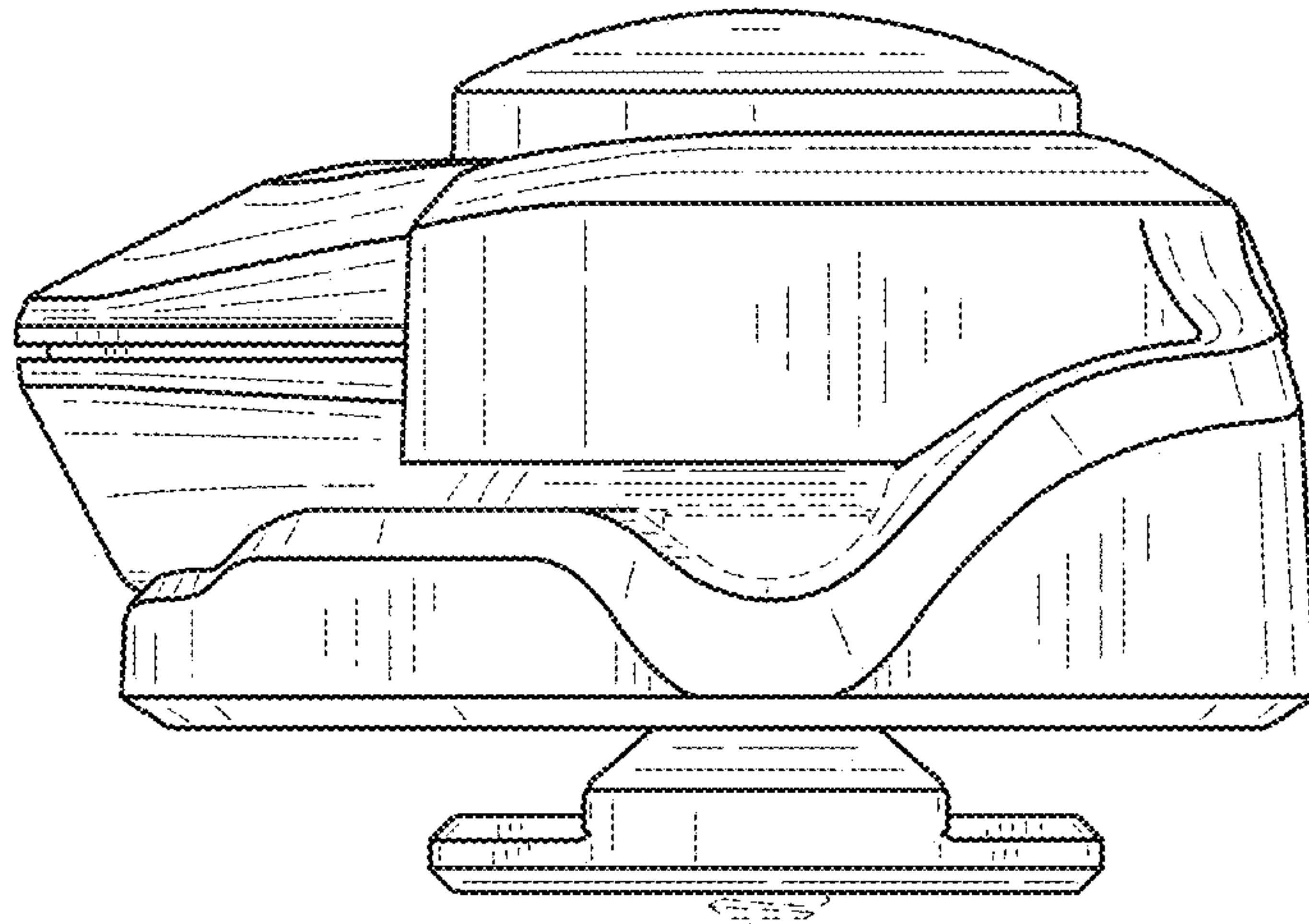


FIG.6



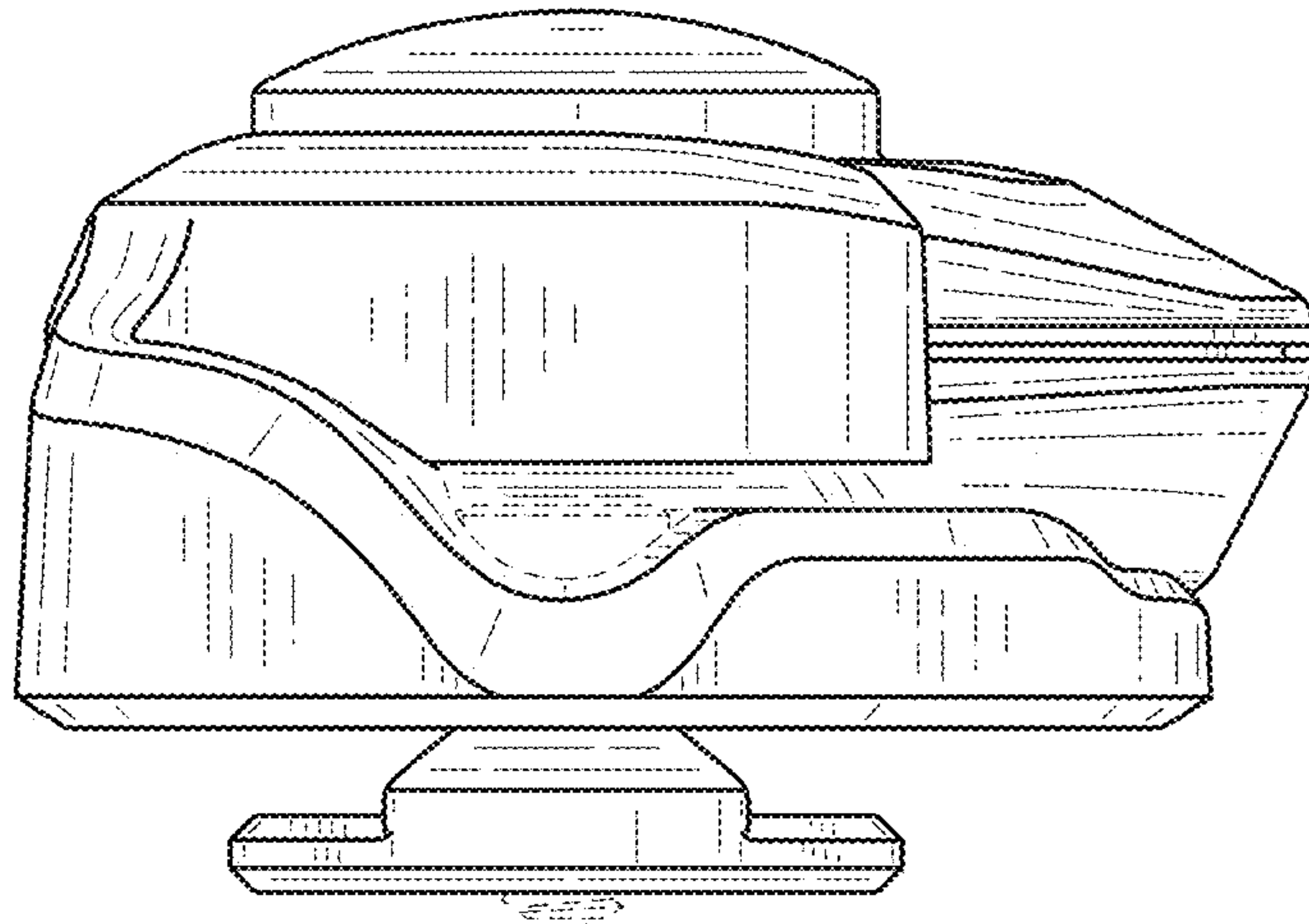


FIG.7

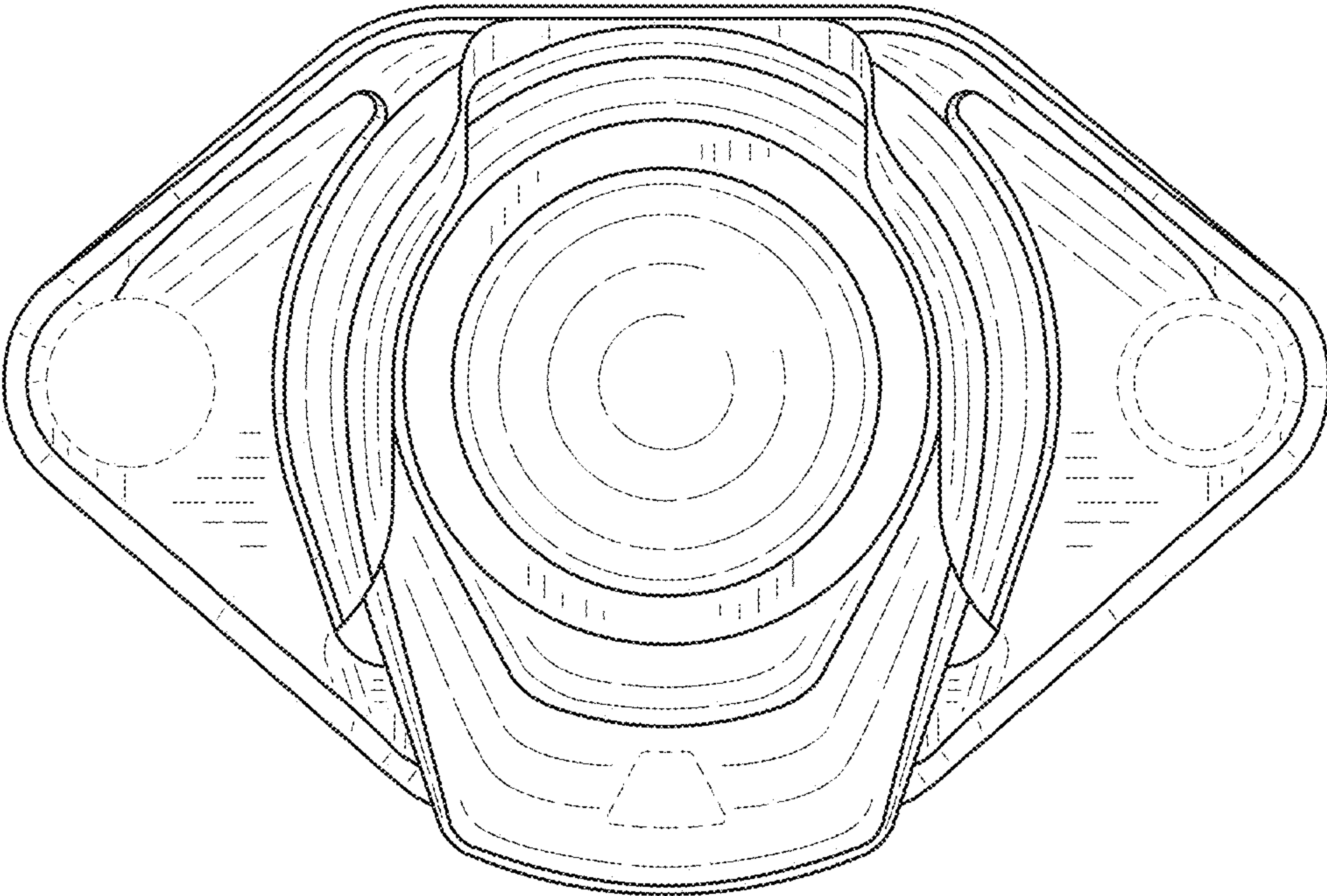


FIG.8

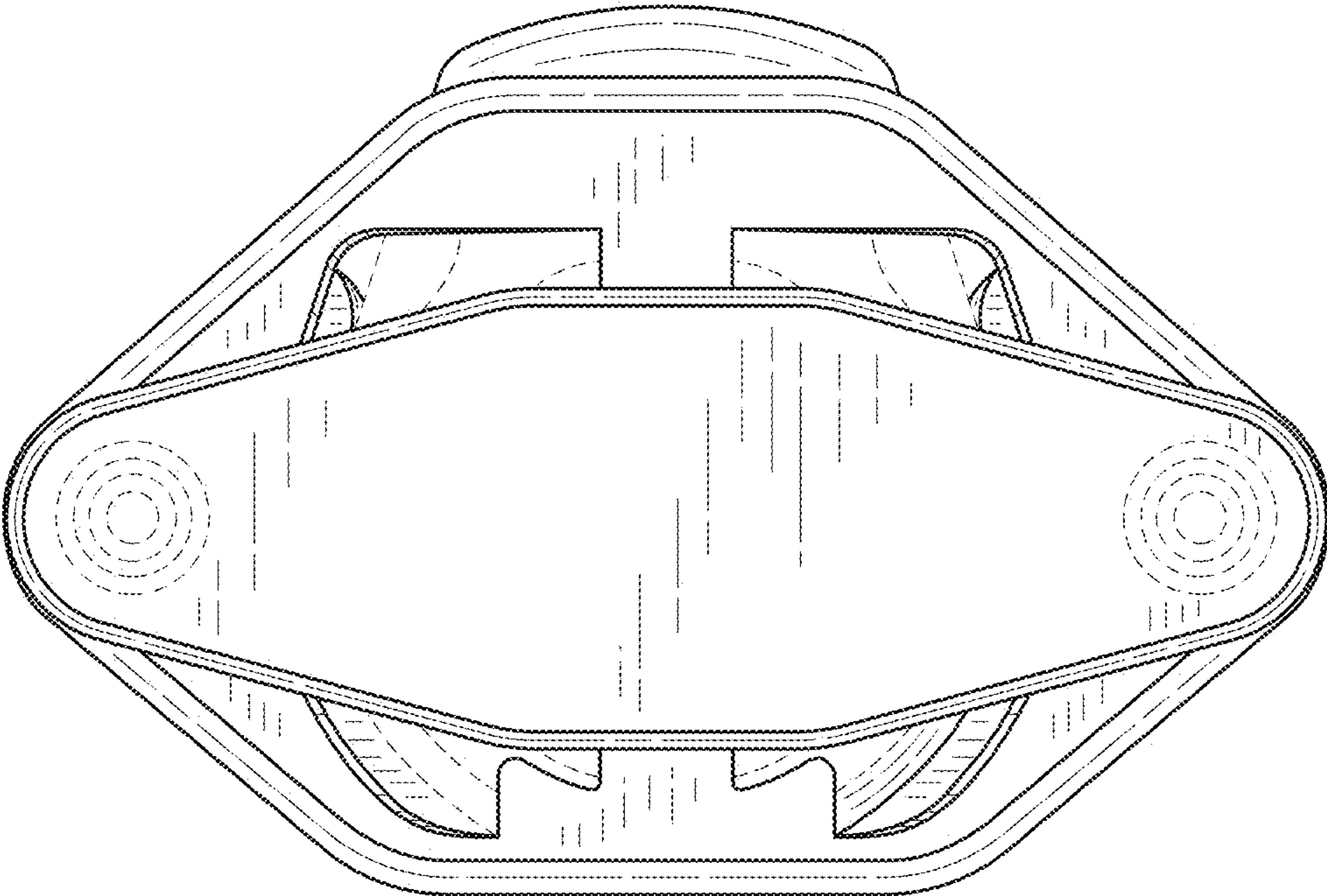


FIG.9