

US00D961530S

(12) **United States Design Patent** (10) **Patent No.:** **US D961,530 S**
Tan (45) **Date of Patent:** **** Aug. 23, 2022**

(54) **PART OF CIRCUIT BREAKER**

(71) Applicant: **SCHNEIDER ELECTRIC INDUSTRIES SAS**, Rueil-Malmaison (FR)

(72) Inventor: **Yee Hsien Tan**, Grenoble (FR)

(73) Assignee: **SCHNEIDER ELECTRIC INDUSTRIES SAS**, Rueil-Malmaison (FR)

(**) Term: **15 Years**

(21) Appl. No.: **35/511,703**

(22) Filed: **Jan. 8, 2021**

(80) **Hague Agreement Data**

Int. Filing Date: **Jan. 8, 2021**
 Int. Reg. No.: **DM/213524**
 Int. Reg. Date: **Jan. 8, 2021**
 Int. Reg. Pub. Date: **Apr. 16, 2021**

D585,839 S * 2/2009 Azzola D13/160
 D587,658 S * 3/2009 Azzola D13/160
 D611,002 S * 3/2010 Azzola D13/160
 D633,446 S * 3/2011 Besana D13/160
 D660,805 S * 5/2012 Azzola D13/160
 D687,387 S * 8/2013 Besana D13/160
 D703,621 S * 4/2014 Azzola D13/160
 D804,430 S * 12/2017 Besana D13/160
 D884,656 S * 5/2020 Personeni D13/160
 D884,657 S * 5/2020 Personeni D13/160
 D884,658 S * 5/2020 Personeni D13/160
 D897,965 S * 10/2020 Personeni D13/160
 D897,966 S * 10/2020 Personeni D13/160
 D897,967 S * 10/2020 Personeni D13/160
 D948,459 S * 4/2022 Azzola D13/160
 D948,612 S * 4/2022 Oguchi D18/56
 D949,115 S * 4/2022 Coleman D13/173
 2017/0229261 A1 * 8/2017 Rota Martir H01H 71/525
 2019/0164713 A1 * 5/2019 Devine H01H 9/0271
 2019/0334326 A1 * 10/2019 Zhou H02B 1/36
 2020/0090888 A1 * 3/2020 Malingowski H01H 9/0271
 2021/0098219 A1 * 4/2021 Adami H01H 71/1009

* cited by examiner

Primary Examiner — Rhea Shields
 (74) *Attorney, Agent, or Firm* — IpHorgan Ltd.

(30) **Foreign Application Priority Data**

Jul. 10, 2020 (EM) 008037964-0013

(51) **LOC (13) Cl.** **13-03**

(52) **U.S. Cl.**
 USPC **D13/160**

(58) **Field of Classification Search**
 USPC D13/160, 173; D18/56
 CPC H01H 71/1009; H01H 9/0271; H01H 71/525; H02B 1/36
 See application file for complete search history.

(57) **CLAIM**

The ornamental design for a part of circuit breaker, as shown and described.

DESCRIPTION

- 1. Part of circuit breaker
- 1.1 : Perspective
- 1.2 : Front
- 1.3 : Right
- 1.4 : Left
- 1.5 : Top
- 1.6 : Bottom
- 1.7 : Back

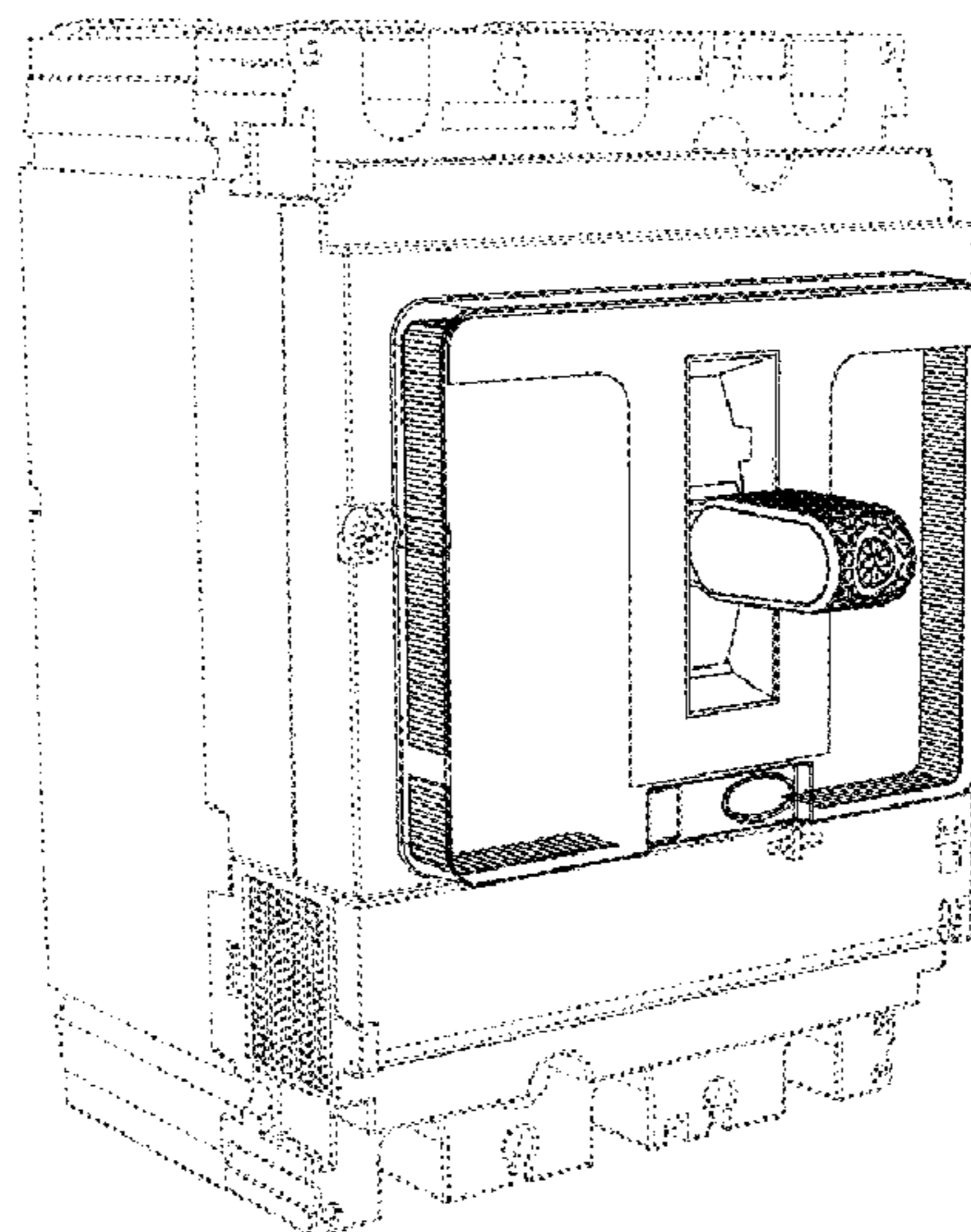
In the reproductions, the broken lines are for the purpose of illustrating portions of a part of a circuit breaker that forms no part of the claimed design.

(56) **References Cited**

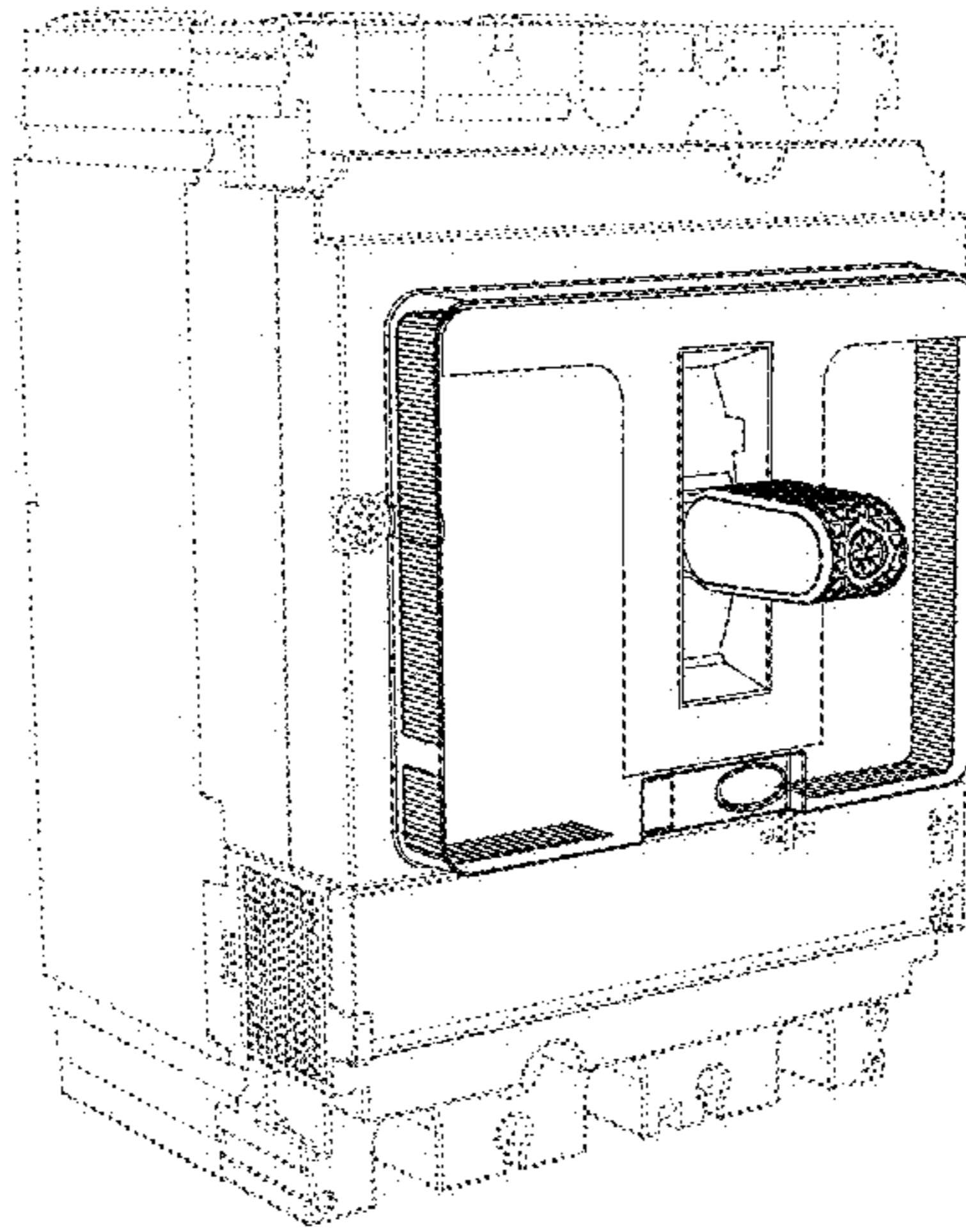
U.S. PATENT DOCUMENTS

D442,146 S * 5/2001 Greenberg D13/160
 D547,729 S * 7/2007 Azzola D13/160
 D547,730 S * 7/2007 Azzola D13/160

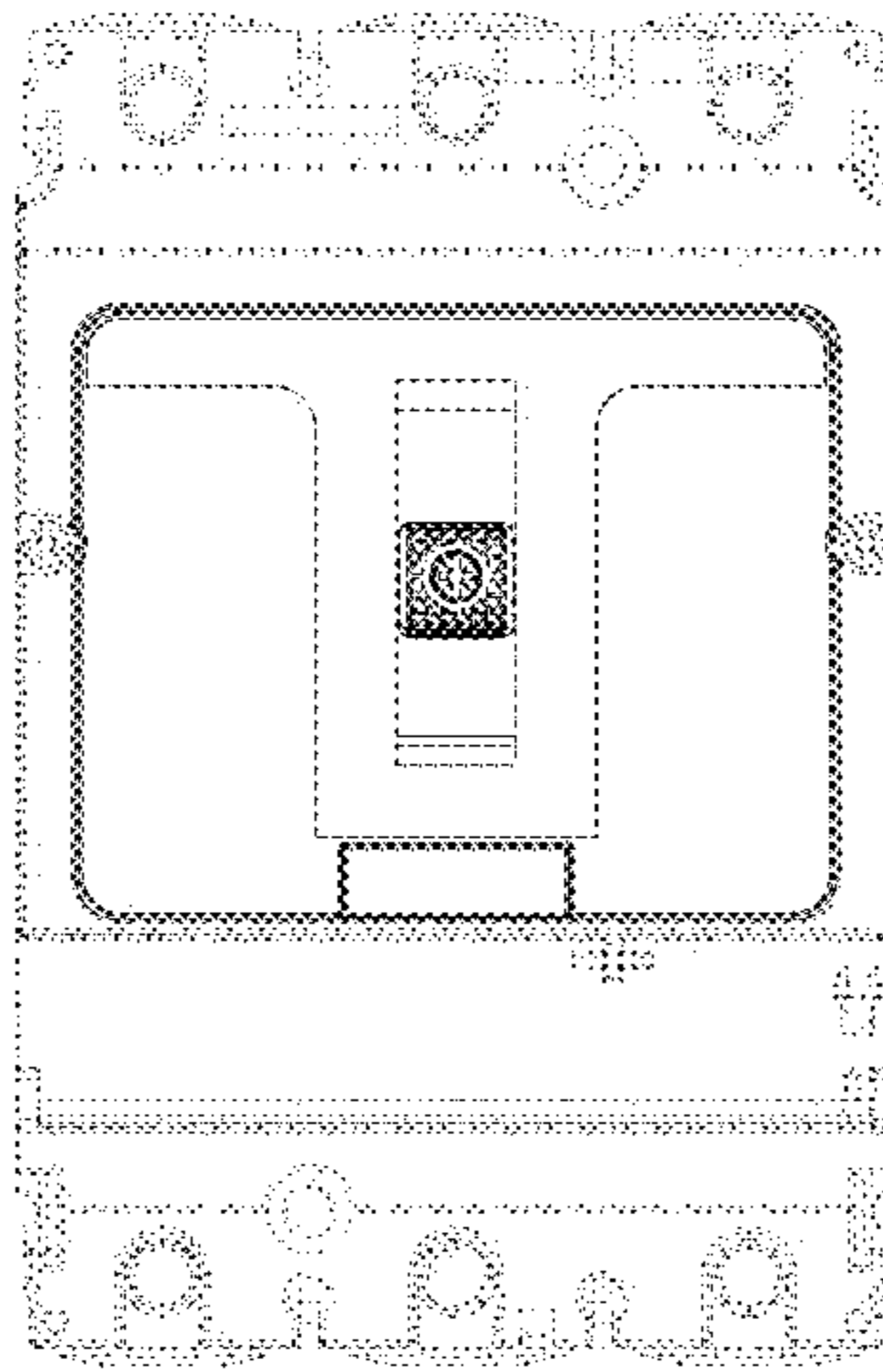
1 Claim, 7 Drawing Sheets



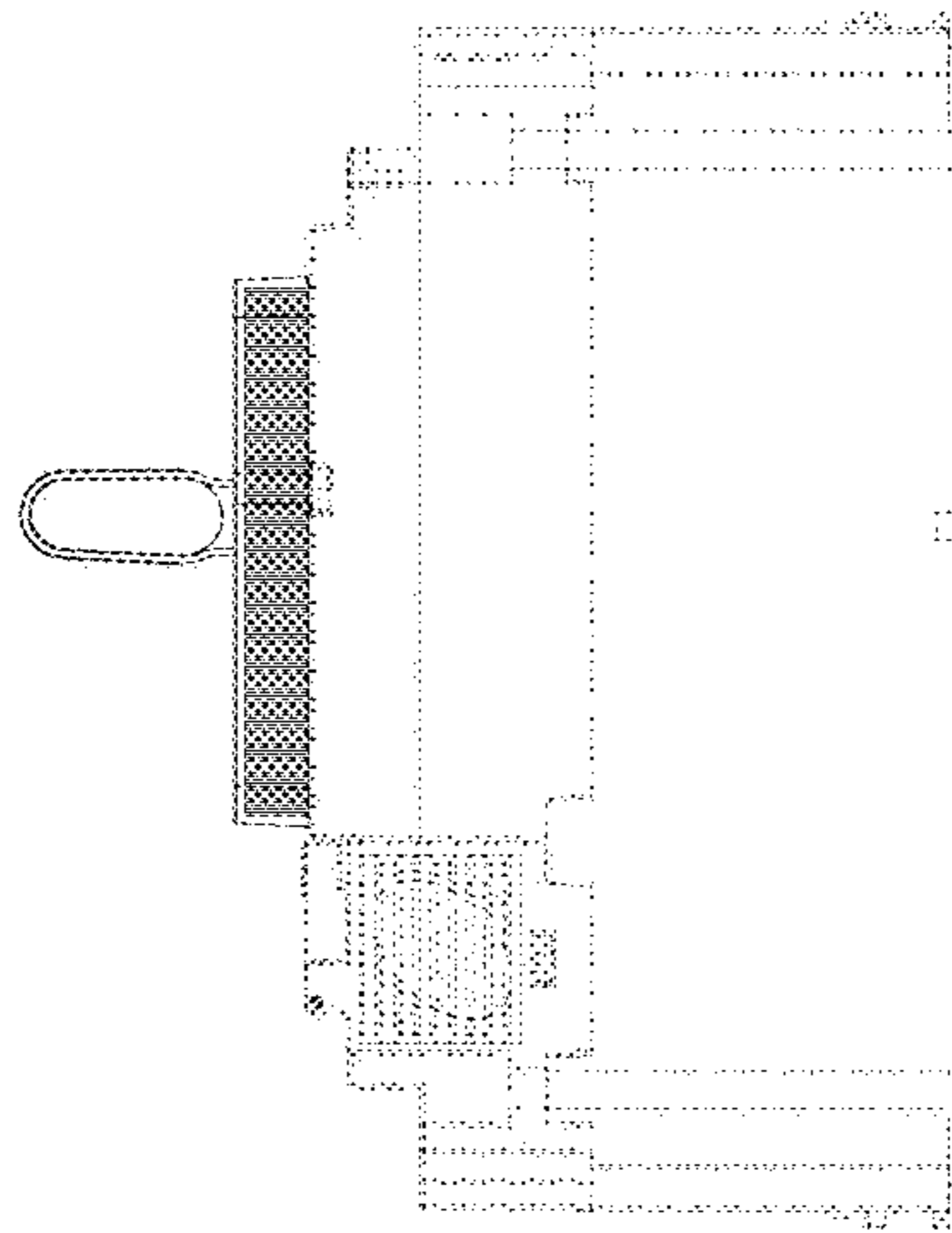
1.1



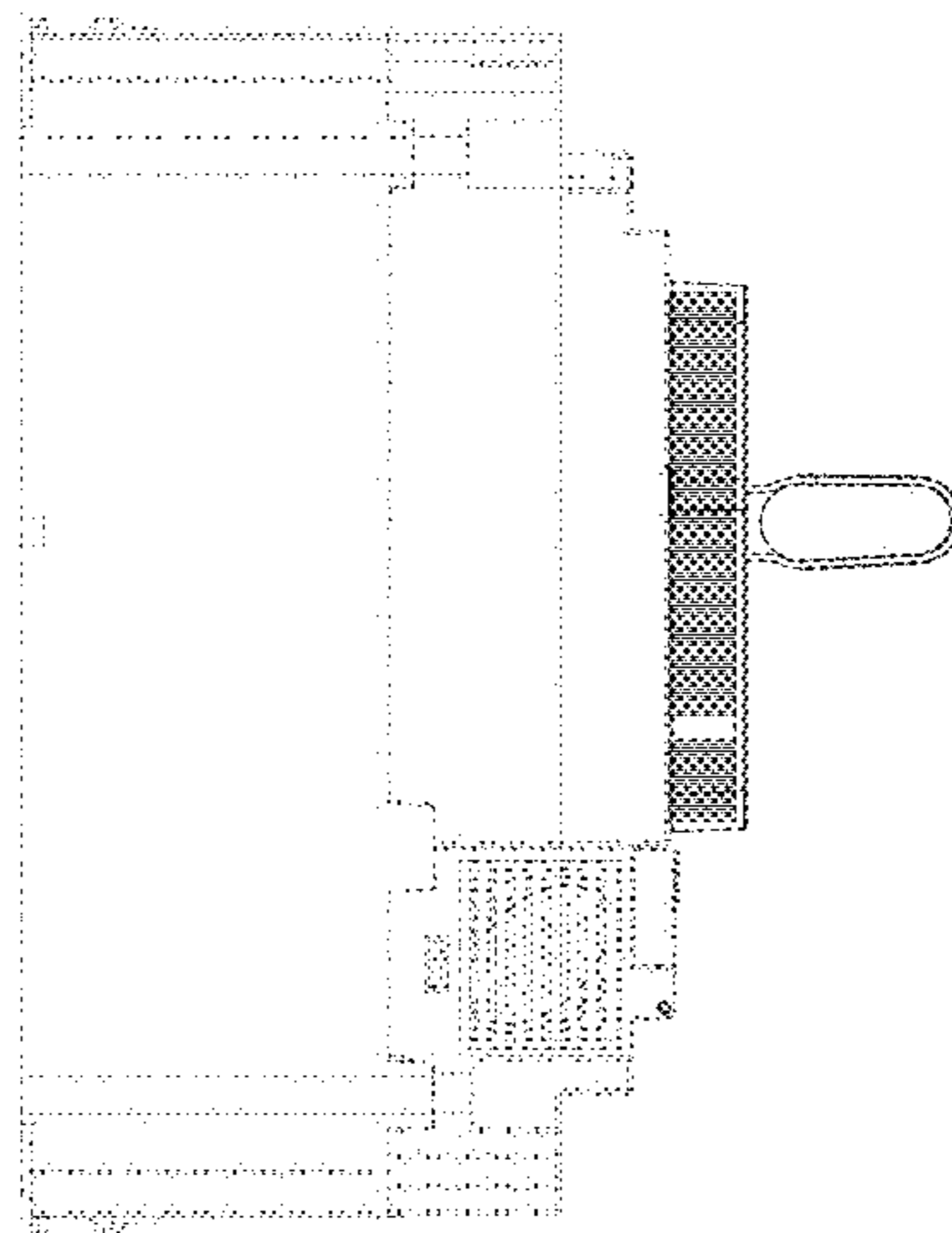
1.2



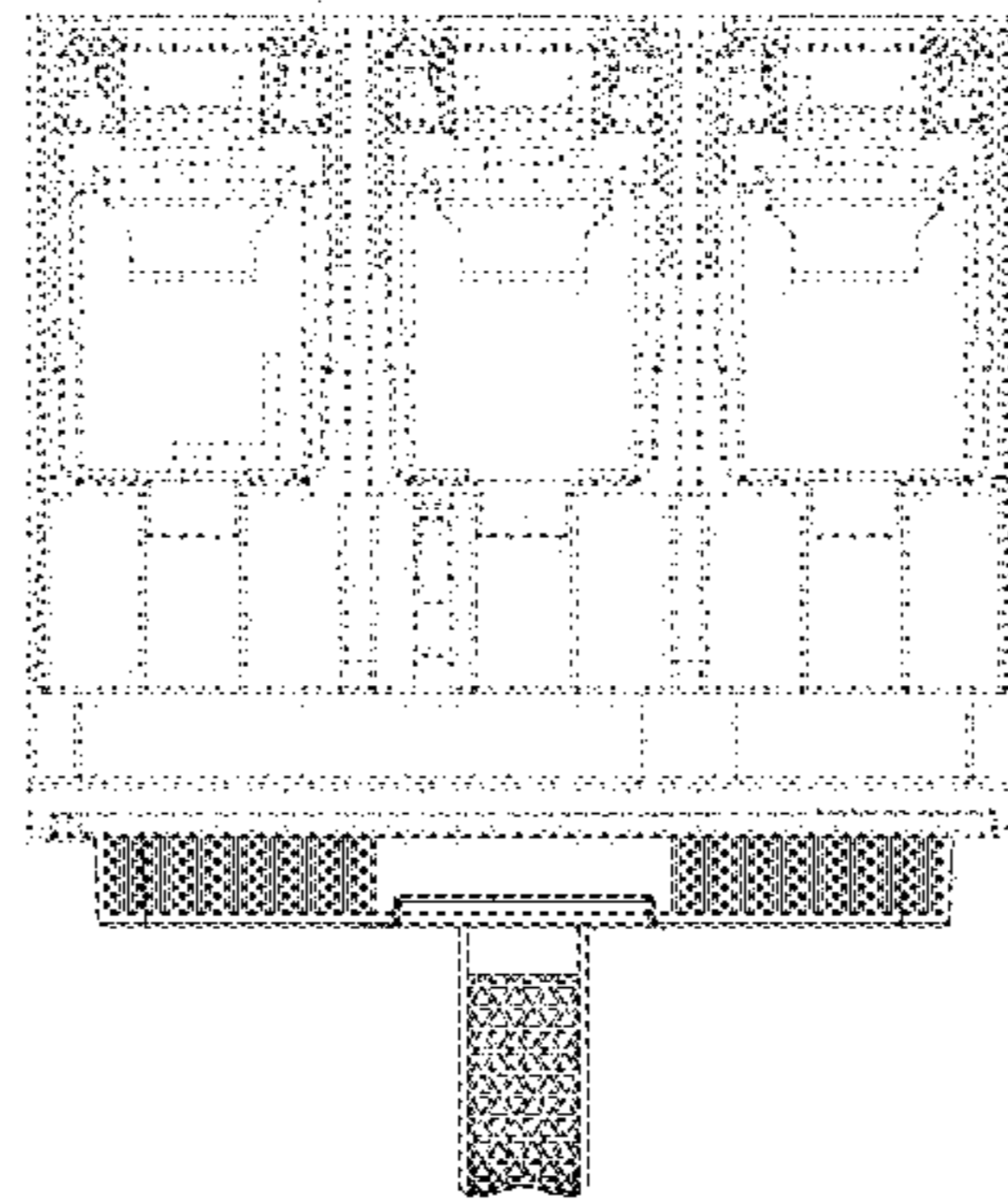
1.3



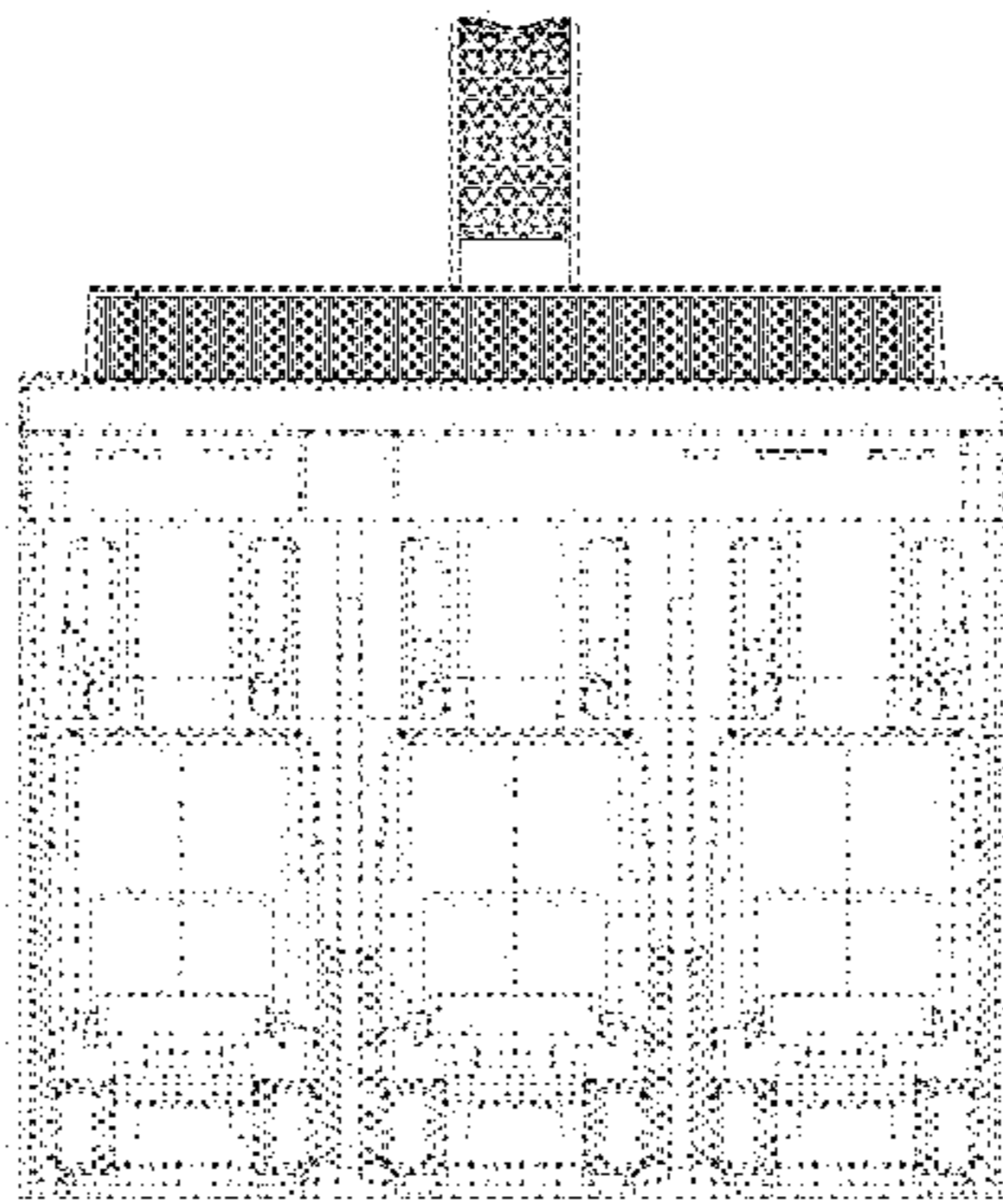
1.4



1.5



1.6



1.7

