



US00D961525S

(12) **United States Design Patent**
Arbel

(10) **Patent No.:** **US D961,525 S**

(45) **Date of Patent:** **** Aug. 23, 2022**

(54) **DIMMER SWITCH**

(71) Applicant: **Omer Arbel**, Vancouver (CA)

(72) Inventor: **Omer Arbel**, Vancouver (CA)

(**) Term: **15 Years**

(21) Appl. No.: **29/729,132**

(22) Filed: **Mar. 24, 2020**

(51) **LOC (13) Cl.** **13-03**

(52) **U.S. Cl.**
USPC **D13/158**; D13/171

(58) **Field of Classification Search**
USPC D13/108, 158, 160, 168, 171, 173, 174;
D9/420, 422, 423, 504; D14/356, 358,
D14/388

CPC H01H 3/02; H01H 3/022; H01H 3/12;
H01H 3/122; H01H 9/02; H01H 9/0235;
H01H 9/0228; H01H 9/0242; H01H 9/04;
H01H 9/045; H01H 13/023; H01H 13/04;
H01H 13/06; H01H 13/063; H01H 13/10;
H01H 13/12; H01H 13/14; H01H 13/36;
H01H 13/70; H01H 13/86; H01H 21/00;
H01H 21/0624

See application file for complete search history.

(56) **References Cited**

U.S. PATENT DOCUMENTS

- 3,704,891 A * 12/1972 Chiarelli A63B 67/14
473/588
- 4,278,851 A * 7/1981 Takaya G10K 9/22
310/322
- D285,333 S * 8/1986 Enk D23/213
- 5,240,251 A * 8/1993 Filice A63B 67/14
473/573
- D351,375 S * 10/1994 Nagele D13/171

(Continued)

OTHER PUBLICATIONS

Amazon.com_ Lipper International Bamboo Wood Salt or Spice
Box with Swivel Cover; Nov. 11, 2015; 2 pgs.;<https://www.amazon.com>

com/dp/B017IS5SRG/ref=asc_df_B017IS5SRG1649070000000?
slid=3519382d-04c0-464c-a76d-ad80704e833f&tag=hl-stylight2017-
20&ascsubtag=3519382d-04c0-464c-a76d-ad80704e833f&creative=
395261&creativeASIN=B.*

(Continued)

Primary Examiner — Selina Sikder

(74) *Attorney, Agent, or Firm* — FisherBroyles, LLP;
Jason M. Pass

(57) **CLAIM**

The ornamental design for a dimmer switch, as shown and
described herein.

DESCRIPTION

FIG. 1 is a perspective view of a dimmer switch showing my
new design, in a configuration with an upper control portion
thereof pivoted to a first alternative position;

FIG. 2 is a front elevation view of the dimmer switch in the
configuration of FIG. 1;

FIG. 3 is a rear elevation view thereof;

FIG. 4 is a right side elevation view thereof;

FIG. 5 is a left side elevation view thereof;

FIG. 6 is a top plan view thereof;

FIG. 7 is a bottom plan view thereof;

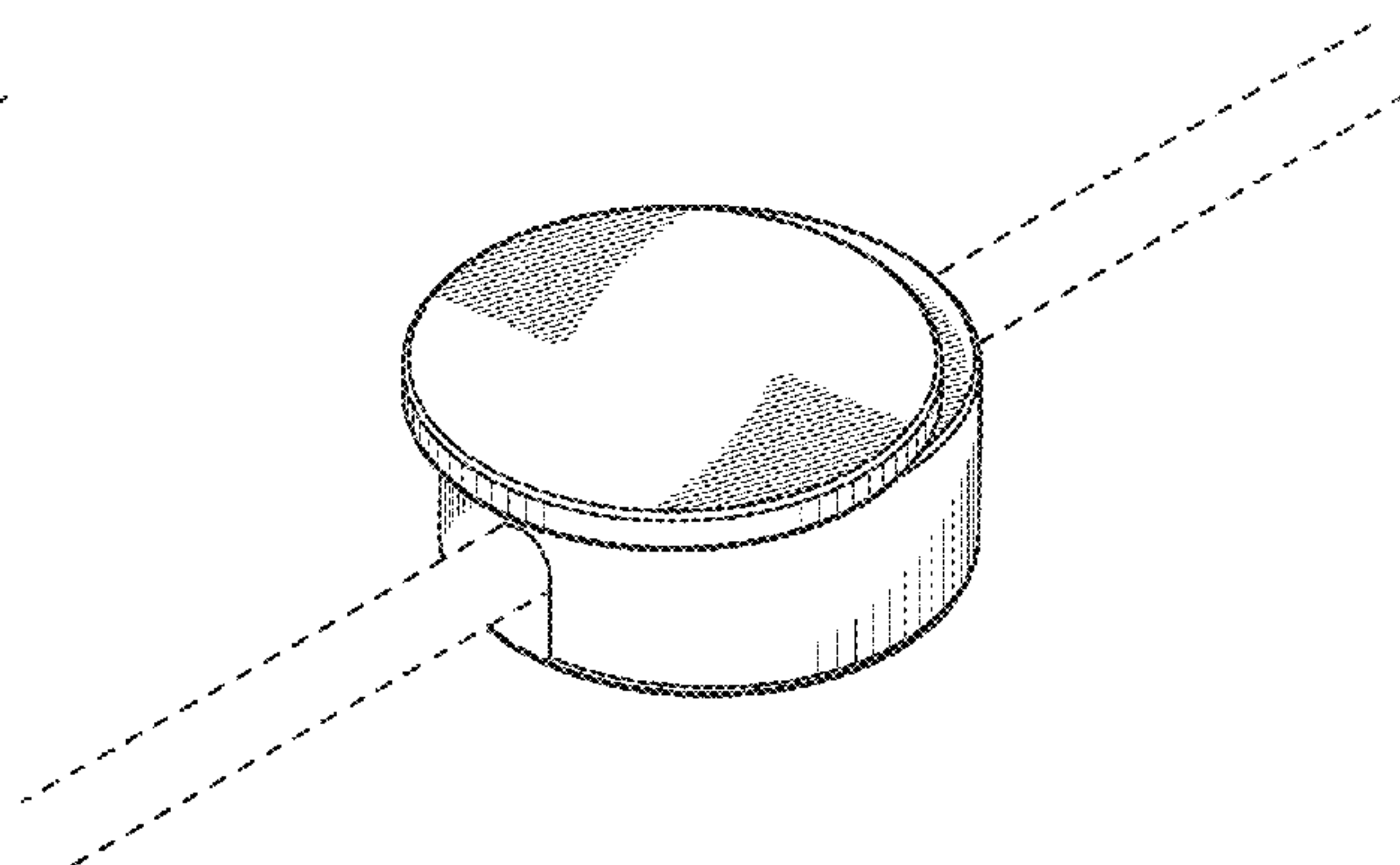
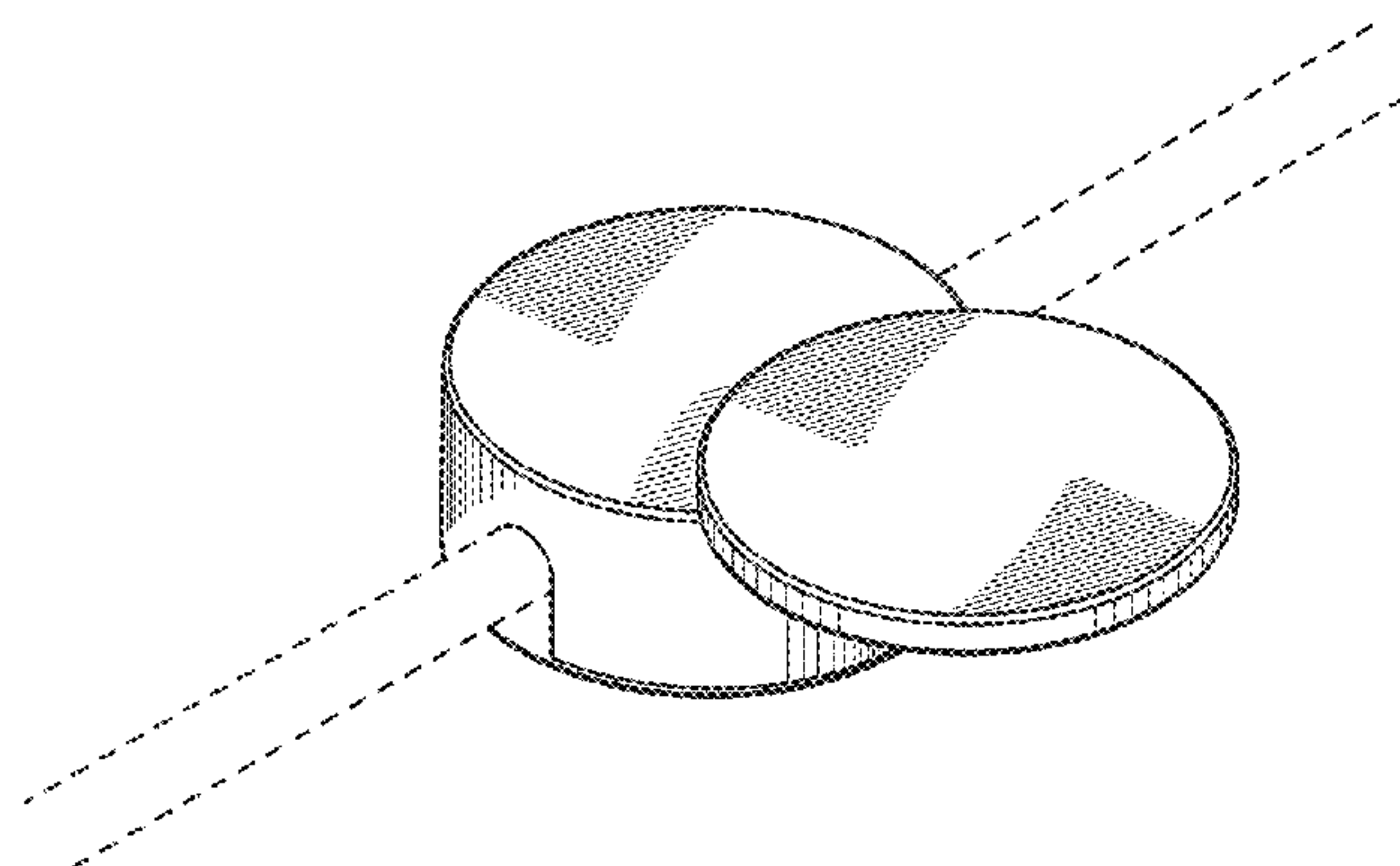
FIG. 8 is a perspective view of the dimmer switch of FIG.
1, in a configuration with the upper control portion thereof
pivoted to a second alternative position;

FIG. 9 is a perspective view of the dimmer switch of FIG.
1, in a configuration with the upper control portion thereof
pivoted to a third alternative position; and,

FIG. 10 is a side elevation, environmental view of the
dimmer switch of FIG. 1, with the dimmer switch in the
configuration of FIG. 1.

The broken lines in FIG. 7 depict portions of the dimmer
switch in which the design is embodied that are not consid-
ered part of the claimed design. The broken line depictions
in FIGS. 1-10 of cords, a lamp, an electrical outlet and a
table illustrate environment of the dimmer switch and form
no part of the claimed design.

1 Claim, 10 Drawing Sheets



(56)

References Cited

U.S. PATENT DOCUMENTS

5,371,428 A * 12/1994 Kikuchi H04R 17/00
 310/322
 5,537,042 A * 7/1996 Beutler G01R 31/396
 429/10
 5,826,707 A * 10/1998 Williams H01H 9/04
 200/302.1
 D421,762 S * 3/2000 Shirley D21/710
 D493,518 S * 7/2004 McAllister D24/104
 D513,386 S * 1/2006 Pace D9/504
 D515,439 S * 2/2006 Pace B65D 25/04
 D9/741
 D567,185 S * 4/2008 Mayo D13/158
 D599,241 S * 9/2009 Andre D10/104.1
 D621,261 S * 8/2010 DeMarco D9/504
 D637,224 S * 5/2011 Smith D17/24
 D646,640 S * 10/2011 Clymer D13/160
 D654,879 S * 2/2012 Li D13/170

D720,289 S * 12/2014 Chiang D13/108
 D735,131 S * 7/2015 Akana D13/108
 D747,267 S * 1/2016 Aumiller D13/108
 D756,216 S * 5/2016 El-Debs D9/420
 D798,807 S * 10/2017 Shi D13/108
 D812,577 S * 3/2018 Turksu D10/104.1
 D830,979 S * 10/2018 Hung D13/168
 D839,191 S * 1/2019 Akana D13/108
 D852,150 S * 6/2019 Turksu D13/183
 D918,204 S * 5/2021 Raken D14/388
 D924,182 S * 7/2021 Fu D13/168
 D947,796 S * 4/2022 Trice D13/171

OTHER PUBLICATIONS

Grommet Socket 2 Ac Outlet 2 Usb Charging Port Top With Swivel Cover; retrieved on Apr. 5, 2022; 1 pg.;https://www.alibaba.com/product-detail/Desk-Office-Furniture-Round-Power-Grommet_62546993449.html.*

* cited by examiner

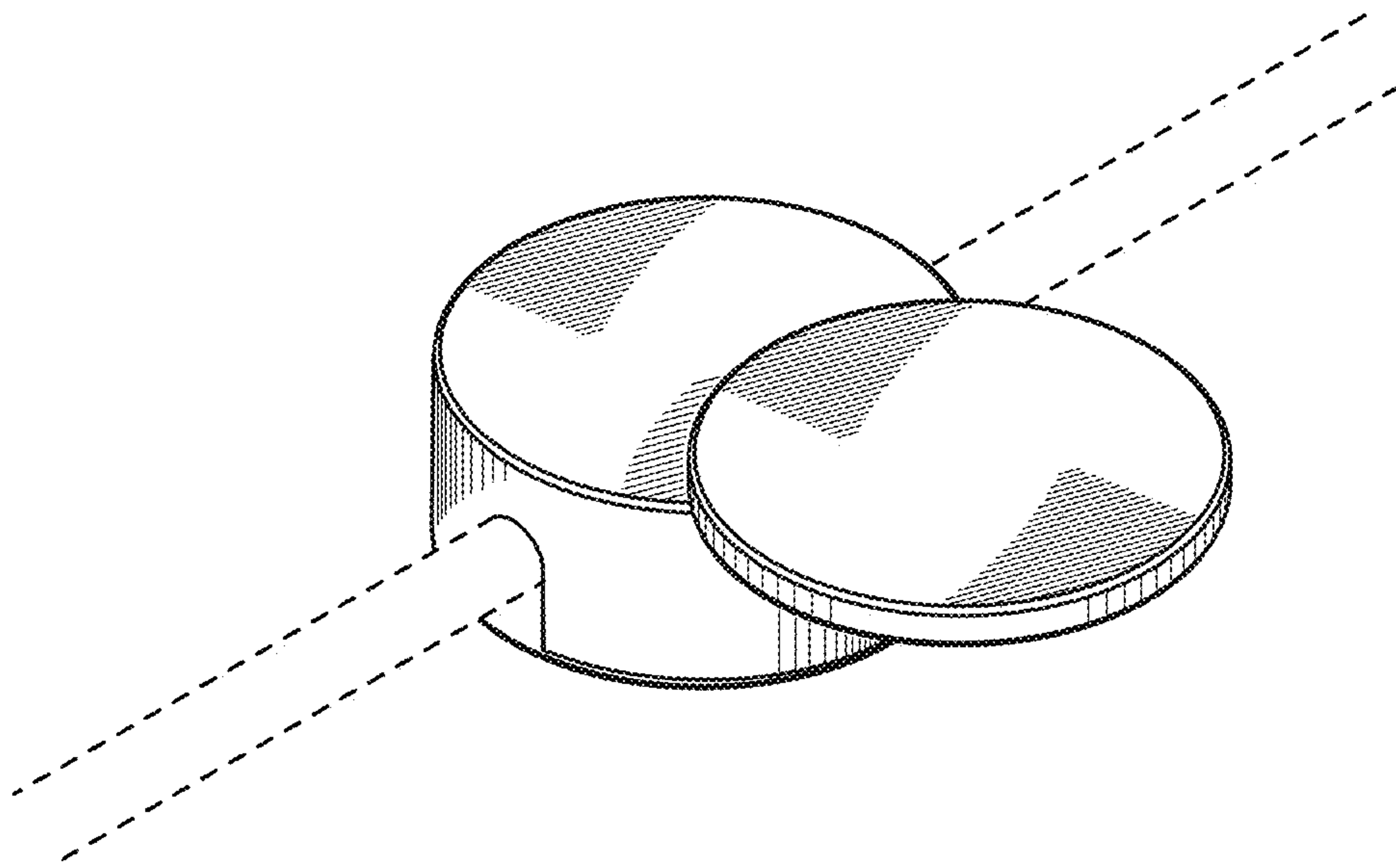


FIG. 1

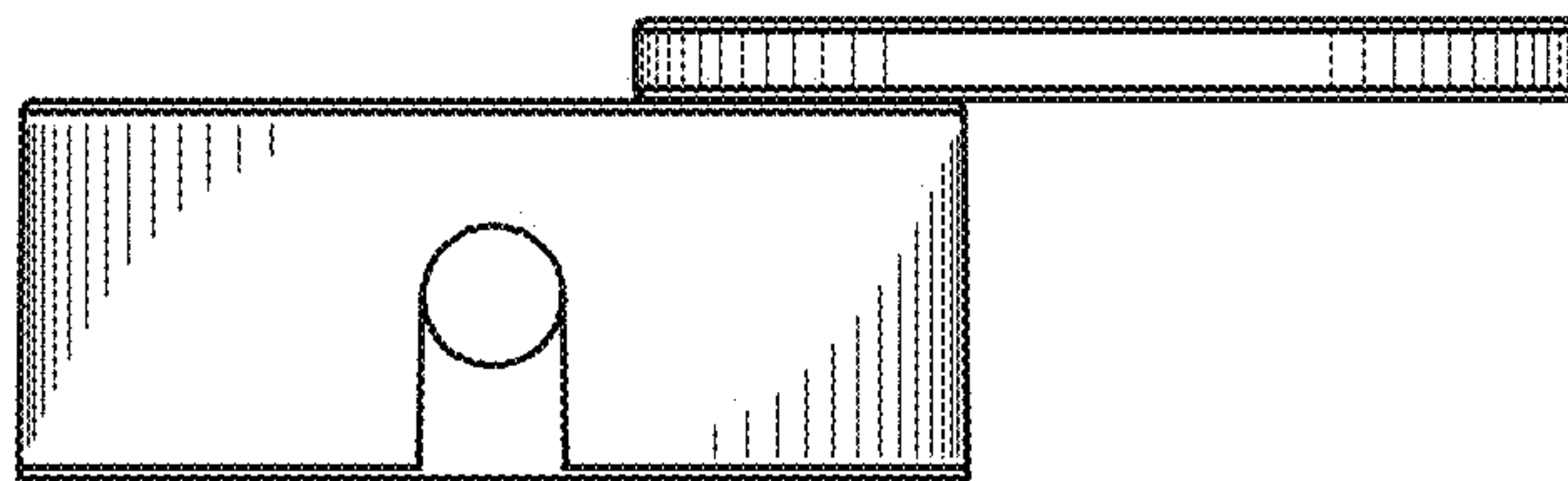


FIG. 2

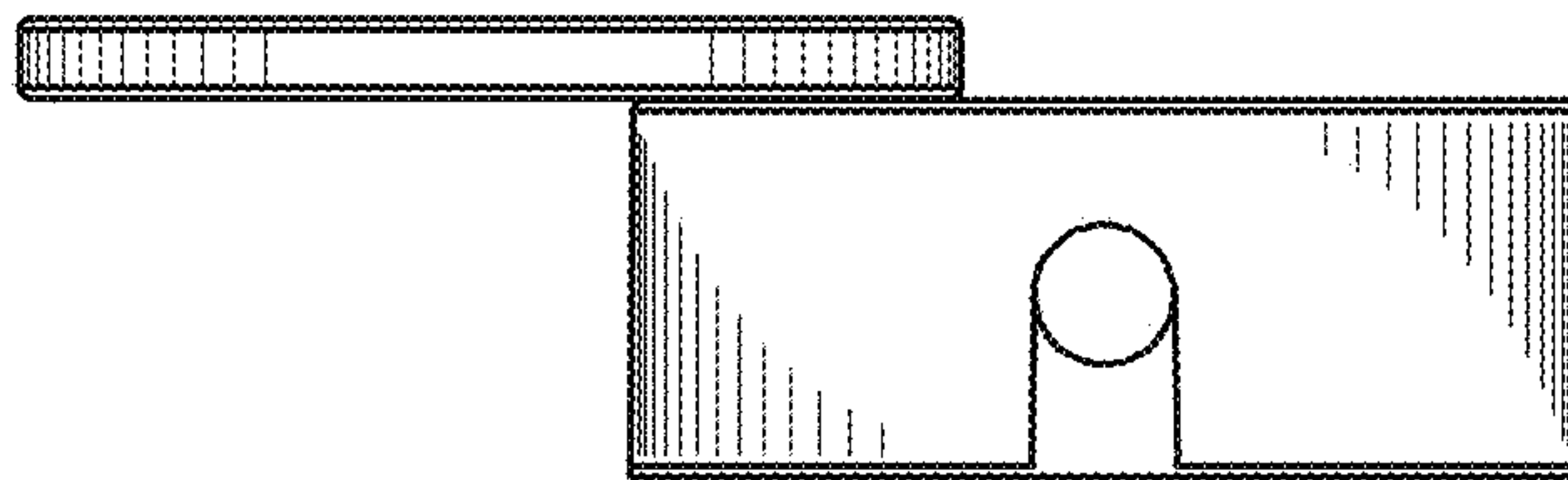


FIG. 3

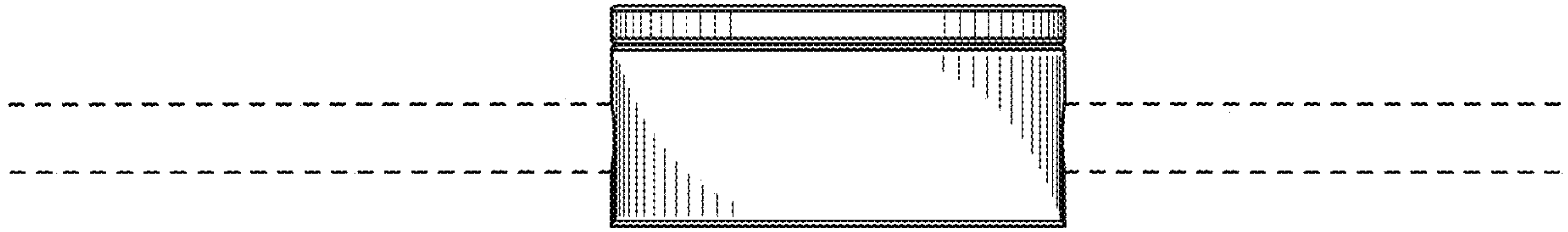


FIG. 4

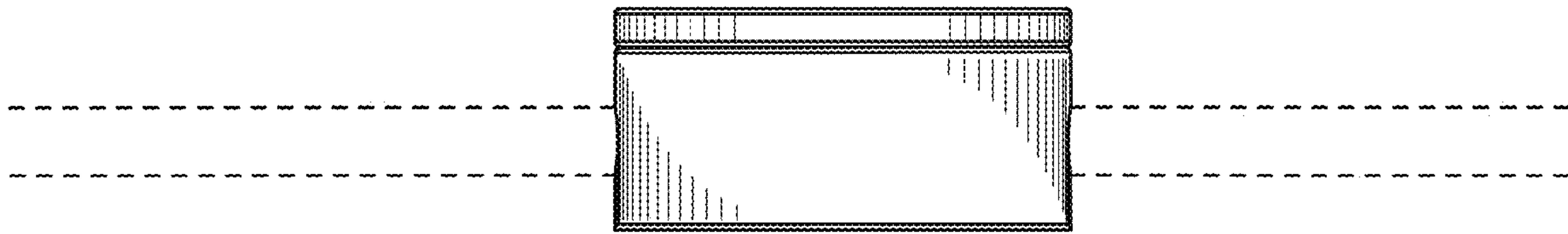


FIG. 5

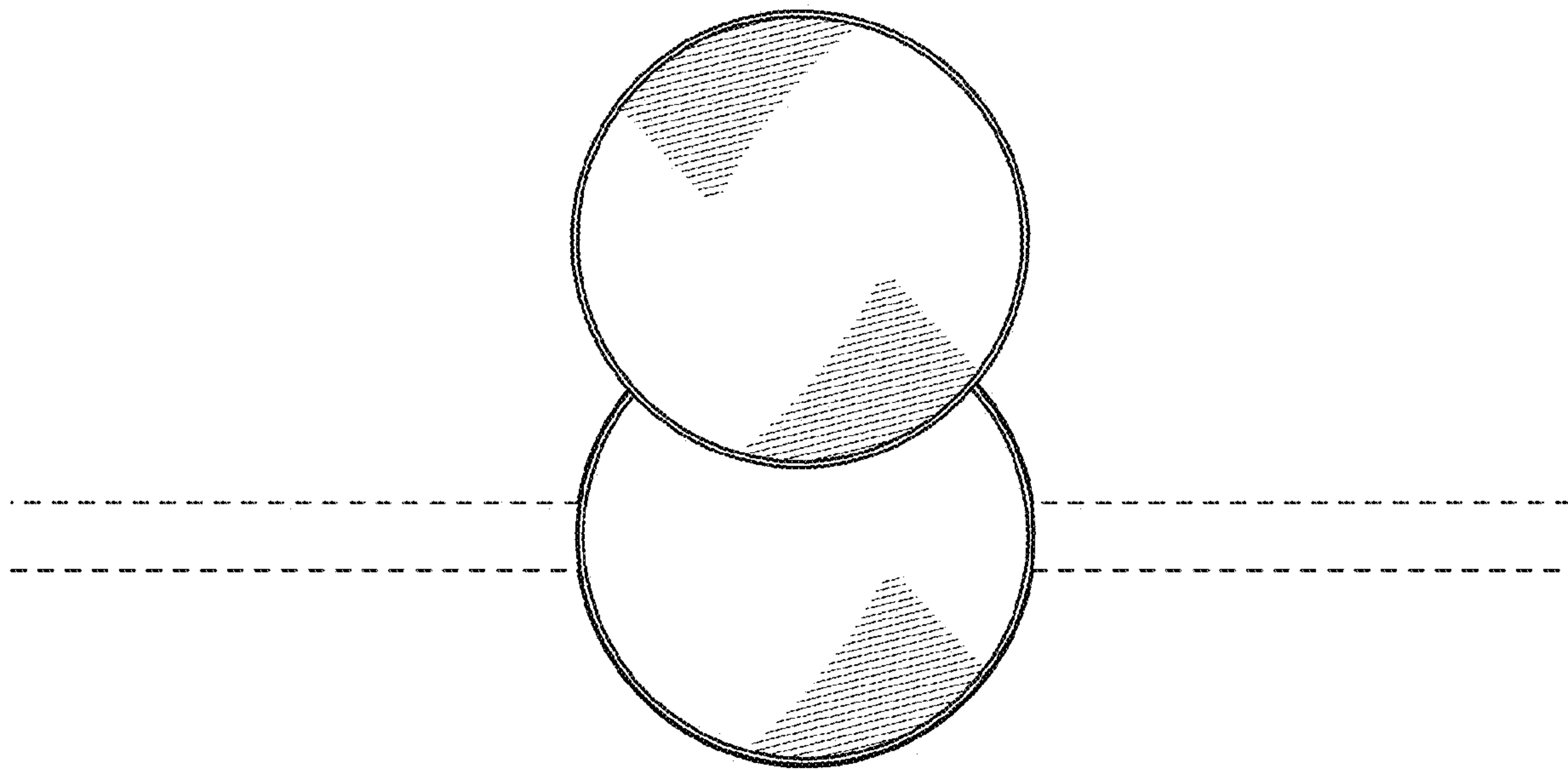


FIG. 6

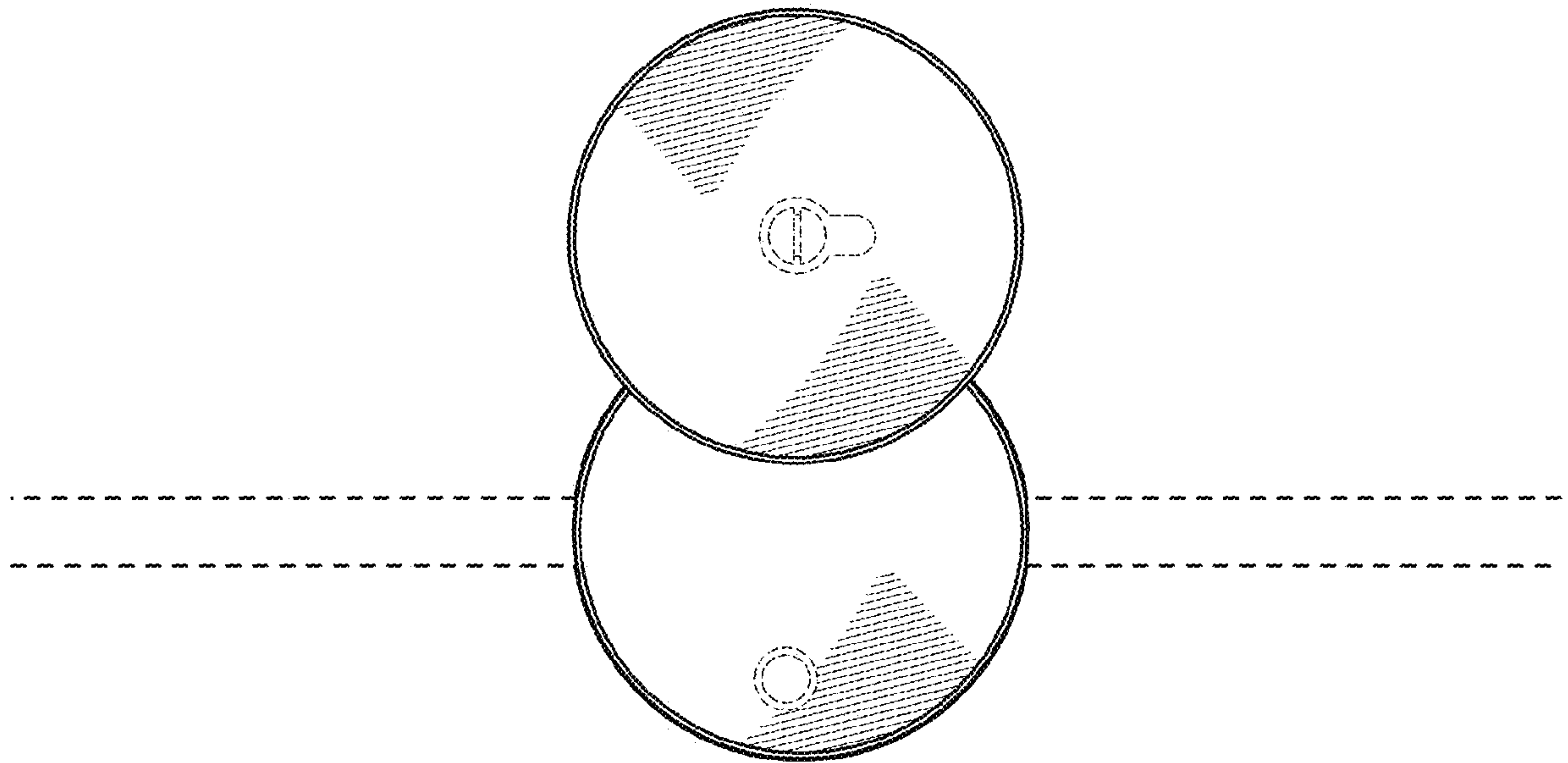


FIG. 7

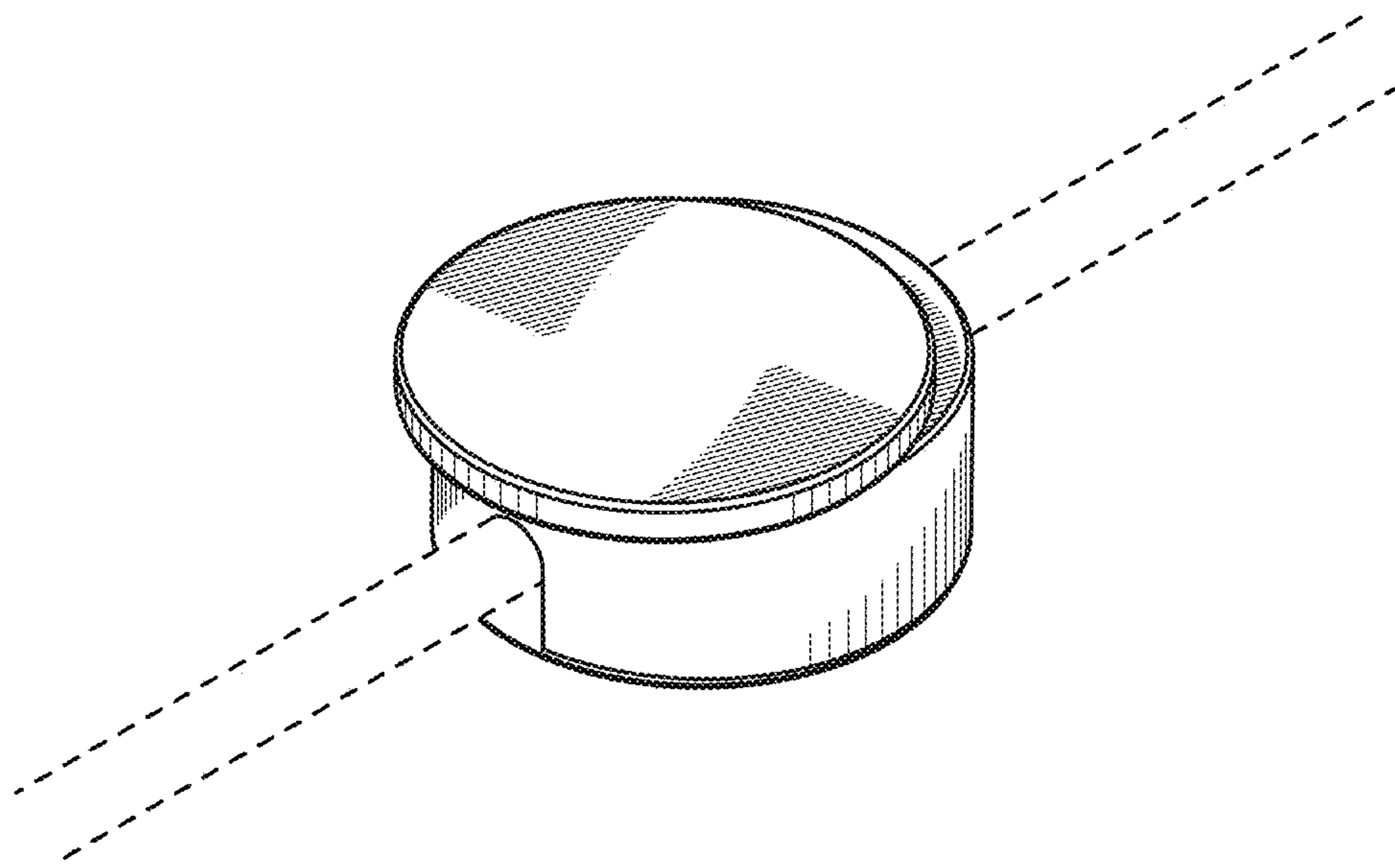


FIG. 8

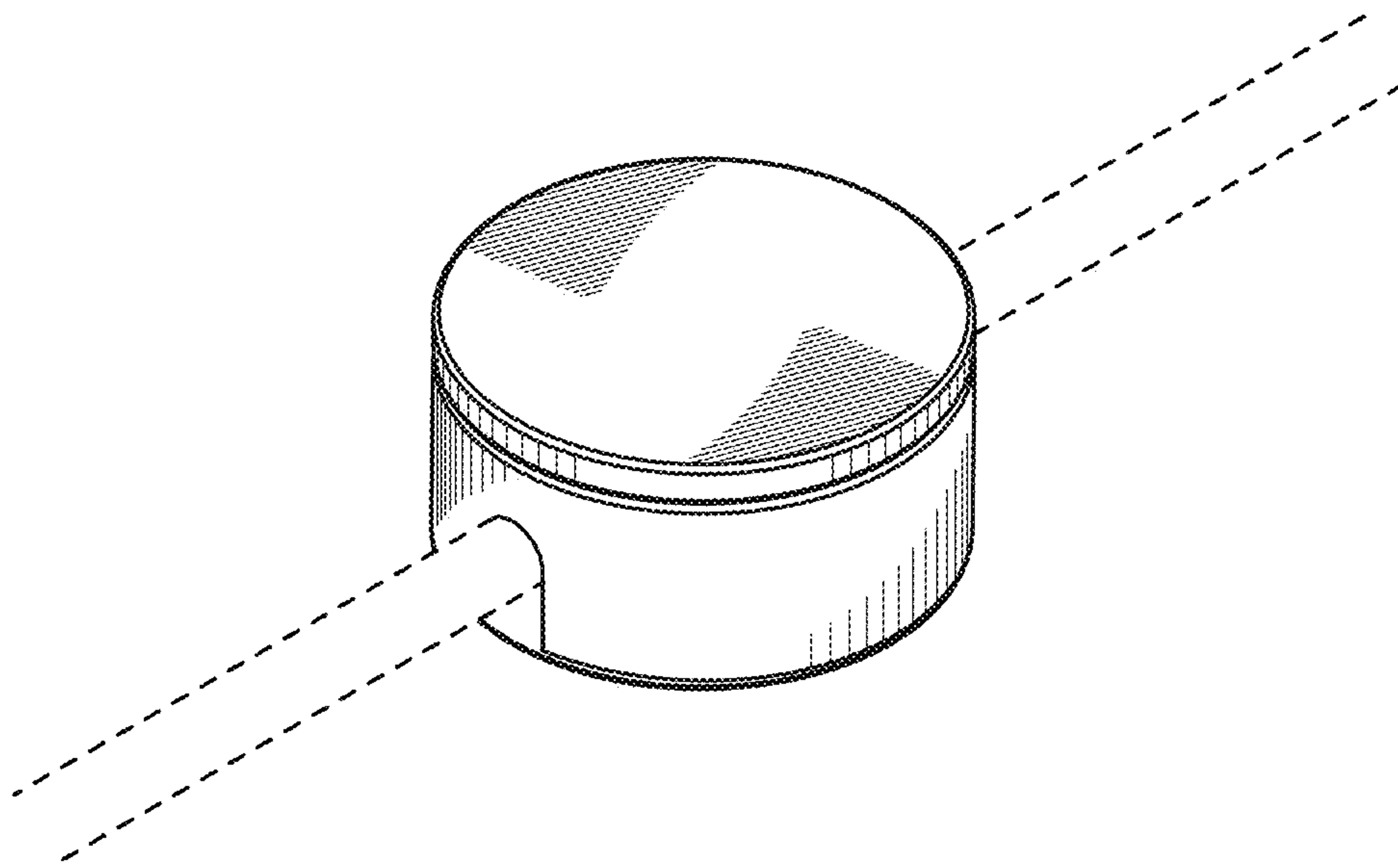


FIG. 9

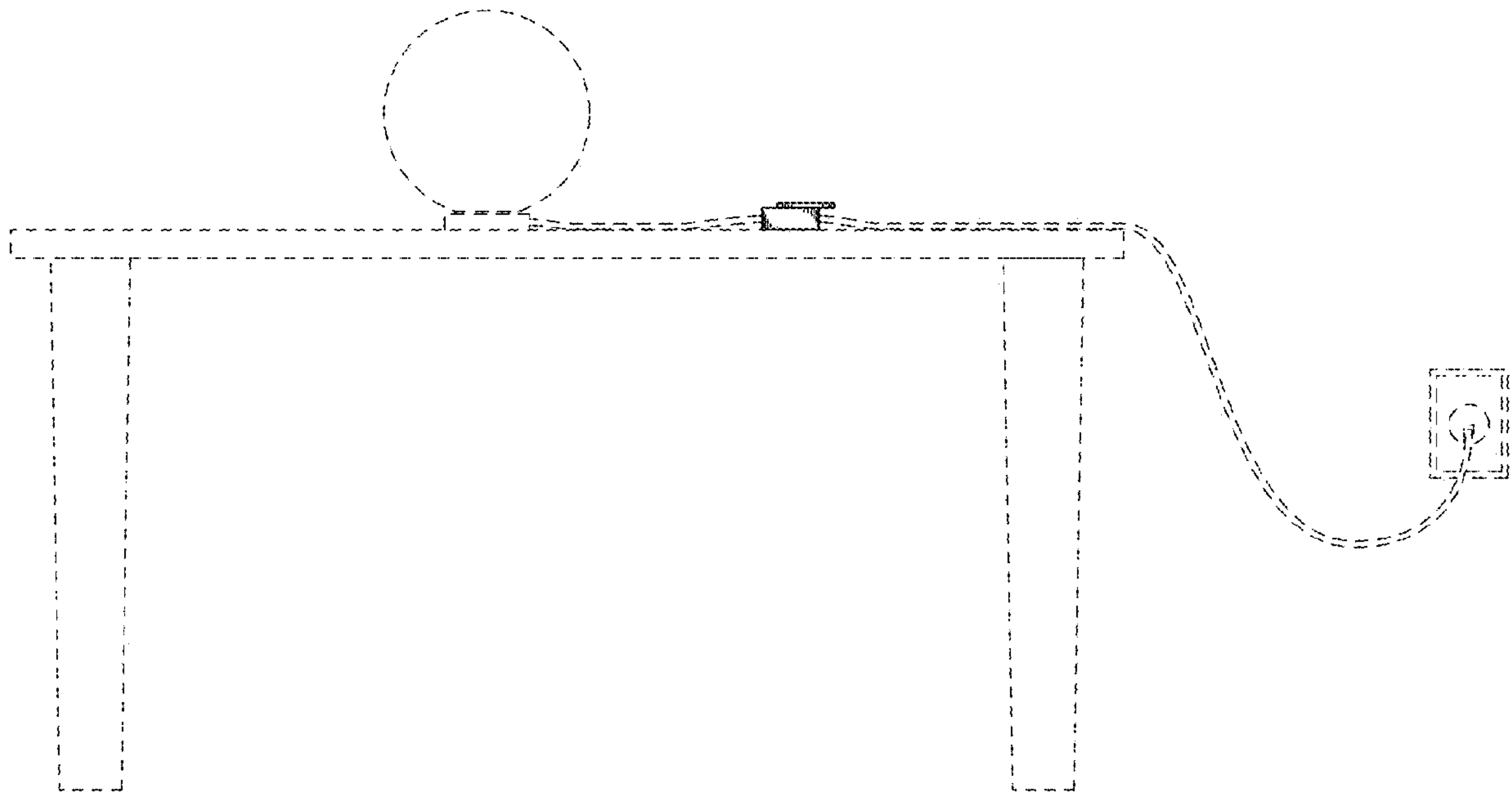


FIG. 10