



US00D961523S

(12) **United States Design Patent** (10) **Patent No.:** **US D961,523 S**
Gonzalez et al. (45) **Date of Patent:** **** *Aug. 23, 2022**

(54) **CONNECTOR**

(71) Applicant: **Molex, LLC**, Lisle, IL (US)
(72) Inventors: **Michael Gonzalez**, Lisle, IL (US);
Joseph D. Comerci, Lisle, IL (US);
Ishwarappa Ganamukhi, Bangalore (IN); **KrishnaPrasad Darbal Somanath**, Bangalore (IN); **Manohara Ramakrishna Gowda**, Bangalore (IN)

(73) Assignee: **Molex, LLC**, Lisle, IL (US)

(*) Notice: This patent is subject to a terminal disclaimer.

(**) Term: **15 Years**

(21) Appl. No.: **29/759,450**

(22) Filed: **Nov. 23, 2020**

Related U.S. Application Data

(62) Division of application No. 29/681,950, filed on Feb. 28, 2019, now Pat. No. Des. 906,982.

(51) **LOC (13) Cl.** **13-03**

(52) **U.S. Cl.**
USPC **D13/147**

(58) **Field of Classification Search**
USPC D13/133, 137.1, 137.2, 137.3, 137.4,
D13/138.1, 138.2, 139.1, 139.2, 139.7,
D13/139.8, 146, 147, 154, 155, 199
CPC H01R 12/592; H01R 13/62; H01R 24/00;
H01R 25/00

See application file for complete search history.

(56) **References Cited**

U.S. PATENT DOCUMENTS

D251,906 S 5/1979 Frantz et al.
D308,513 S * 6/1990 Endo D13/147
D323,154 S * 1/1992 Ohkura D13/147

(Continued)

OTHER PUBLICATIONS

“Molex Plug Housing”. Found online Nov. 16, 2021 at molex.com. Reference dated Feb. 13, 2019. Retrieved from https://www.molex.com/pdm_docs/sd/2018400040_sd.pdf. (Year: 2019).*

(Continued)

Primary Examiner — Kendra Leslie Hamilton

Assistant Examiner — Amanda Christensen

(74) *Attorney, Agent, or Firm* — Banner & Witcoff, Ltd.

(57) **CLAIM**

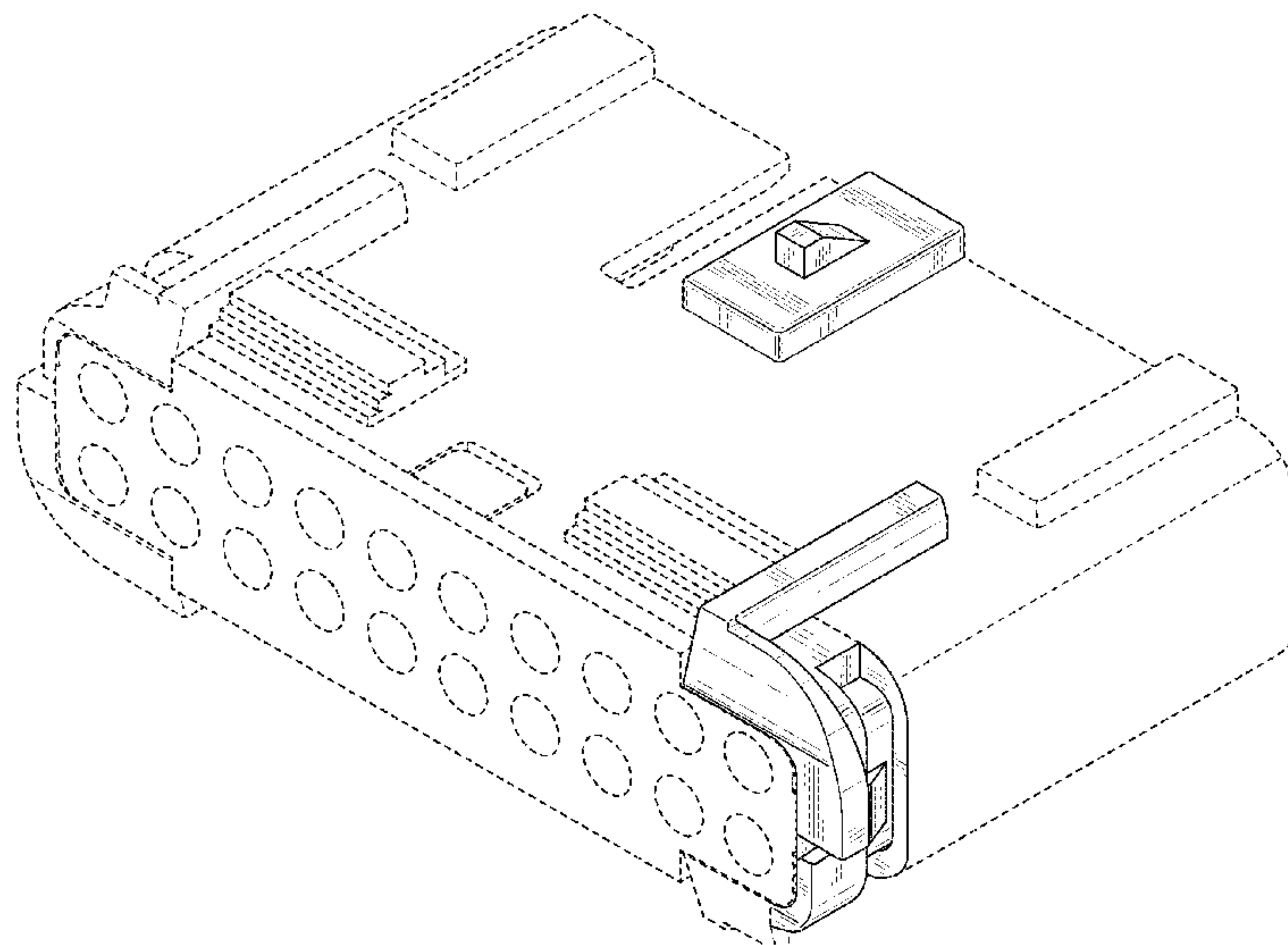
The ornamental design for a connector, as shown and described.

DESCRIPTION

FIG. 1 is a top, front, right side perspective view of a first embodiment of a connector, showing our new design; FIG. 2 is a top, rear, right side perspective view thereof; FIG. 3 is a top plan view thereof; FIG. 4 is a bottom plan view thereof; FIG. 5 is a right side elevation view thereof; FIG. 6 is a left side elevation view thereof; FIG. 7 is a front elevation view thereof; FIG. 8 is a rear elevation view thereof; FIG. 9 is a top, front, left side perspective view of a second embodiment of a connector; FIG. 10 is a top, rear, left side perspective view thereof; FIG. 11 is a top plan view thereof; FIG. 12 is a bottom plan view thereof; FIG. 13 is a right side elevation view thereof; FIG. 14 is a left side elevation view thereof; FIG. 15 is a front elevation view thereof; and, FIG. 16 is a rear elevation view thereof.

The broken lines immediately adjacent to the shaded areas depict the bounds of the claimed design and form no part thereof; all other broken lines depict portions of the connector that form no part of the claimed design.

1 Claim, 16 Drawing Sheets



(56)

References Cited

U.S. PATENT DOCUMENTS

5,205,763 A * 4/1993 Watanabe H01R 13/4368
439/595

D449,617 S 10/2001 Herath

D503,150 S 3/2005 Yamawaki et al.

6,939,159 B1 * 9/2005 Klein H01R 13/6272
439/352

7,217,161 B1 5/2007 Tyler et al.

D612,807 S 3/2010 Mancini et al.

D675,163 S 1/2013 Nagata

D680,499 S 4/2013 Lan

D747,689 S 1/2016 Endo et al.

D748,580 S 2/2016 Endo et al.

D751,990 S * 3/2016 Ikeda D13/147

9,620,879 B2 4/2017 Li

D791,705 S 7/2017 Li et al.

D803,162 S * 11/2017 Li D13/147

9,847,597 B2 12/2017 Uttarkar et al.

D810,689 S 2/2018 Takano

D822,607 S 7/2018 Chadbourne

D831,574 S 10/2018 Ramanna et al.

D831,576 S 10/2018 Davidson et al.

D835,044 S * 12/2018 Ramanna D13/146

10,468,804 B2 11/2019 Kawamura et al.

D876,366 S 2/2020 Holub et al.

D897,964 S * 10/2020 Kuroiwa D13/147

D901,392 S * 11/2020 Gonzalez D13/147

D906,976 S * 1/2021 Somanathapura Ramanna
D13/133

D910,564 S * 2/2021 Ganamukhi D13/133

11,005,210 B2 * 5/2021 Tian H01R 13/4226

2013/0084716 A1 * 4/2013 Namjoshi H01R 13/03
439/33

2017/0062983 A1 3/2017 Holub et al.

2018/0301827 A1 10/2018 Takeuchi et al.

2019/0199034 A1 6/2019 Azad

OTHER PUBLICATIONS

“Molex Connector”. Found online Nov. 16, 2021 at amazon.com. Reference dated Oct. 24, 2014. Retrieved from <https://www.amazon.com/33472-1201-CONNECTOR-HOUSING-RECEPTACLE-POSITION/dp/B011NAO25Y>. (Year: 2014).*

“Glarks Connector Plug”. Found online Nov. 16, 2021 at amazon.com. Reference dated Dec. 12, 2018. Retrieved from https://www.amazon.com/Glarks-Waterproof-Electrical-Connector-Motorcycle/dp/B07L9XNFGG/ref=pd_day0_2/143-0403455-9501946. (Year: 2018).*

“Molex Connector Housing”. Found online May 27, 2020 at amazon.com. Reference dated Nov. 18, 2013. Retrieved from https://www.amazon.com/Molex-Waldom-52117-0341-Connector-Discrete/dp/BOOGQQB84E/ref-sr_1_24. (Year: 2013).

“MUYI Electrical Connector”. Found online Jun. 1, 2020 at amazon.com. Reference dated Mar. 15, 2017. Retrieved from https://www.amazon.com/MUYI-Waterproof-Electrical-Connector-Terminals/dp/B01FPIHXIU/ref-sr_1_1?th=1. (Year: 2017).

“YETOR Way Electrical Connector”. Found online Jun. 1, 2020 at amazon.com, Reference dated May 21, 2016, Retrieved from https://www.amazon.com/YETOR-Waterproof-Electrical-Connectors-Connections/dp/B070DS5DKR/refzsr_1_1. (Year: 2016). Electrical Connector, May 21, 2016, [online], [site visited Apr. 7, 2020], Available from Internet URL: https://www.amazon.com/dp/B07QFW8X9Z/ref-psdc_15729341_t5_B01A6LTK44 (Year: 2016).

* cited by examiner

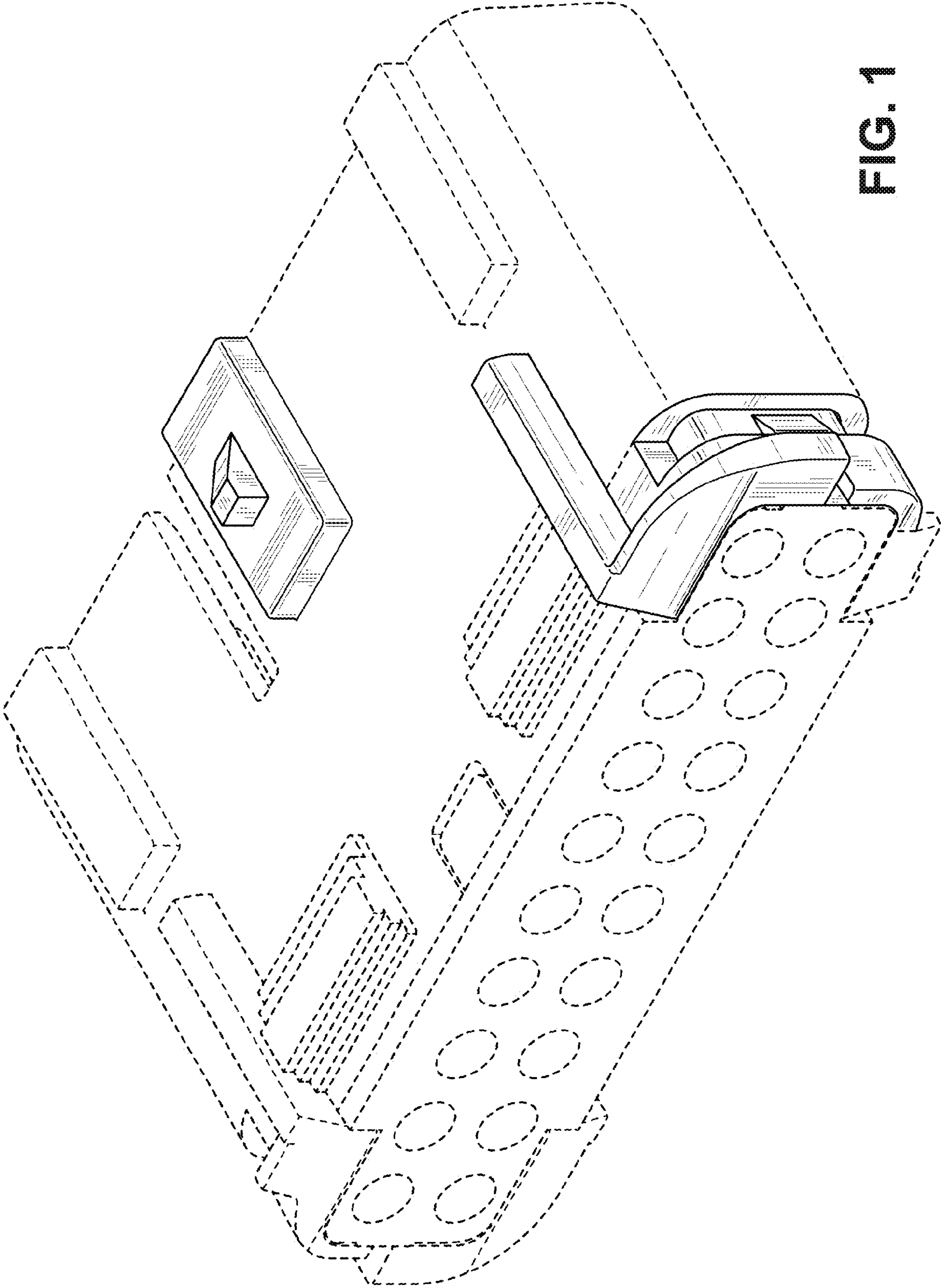


FIG. 1

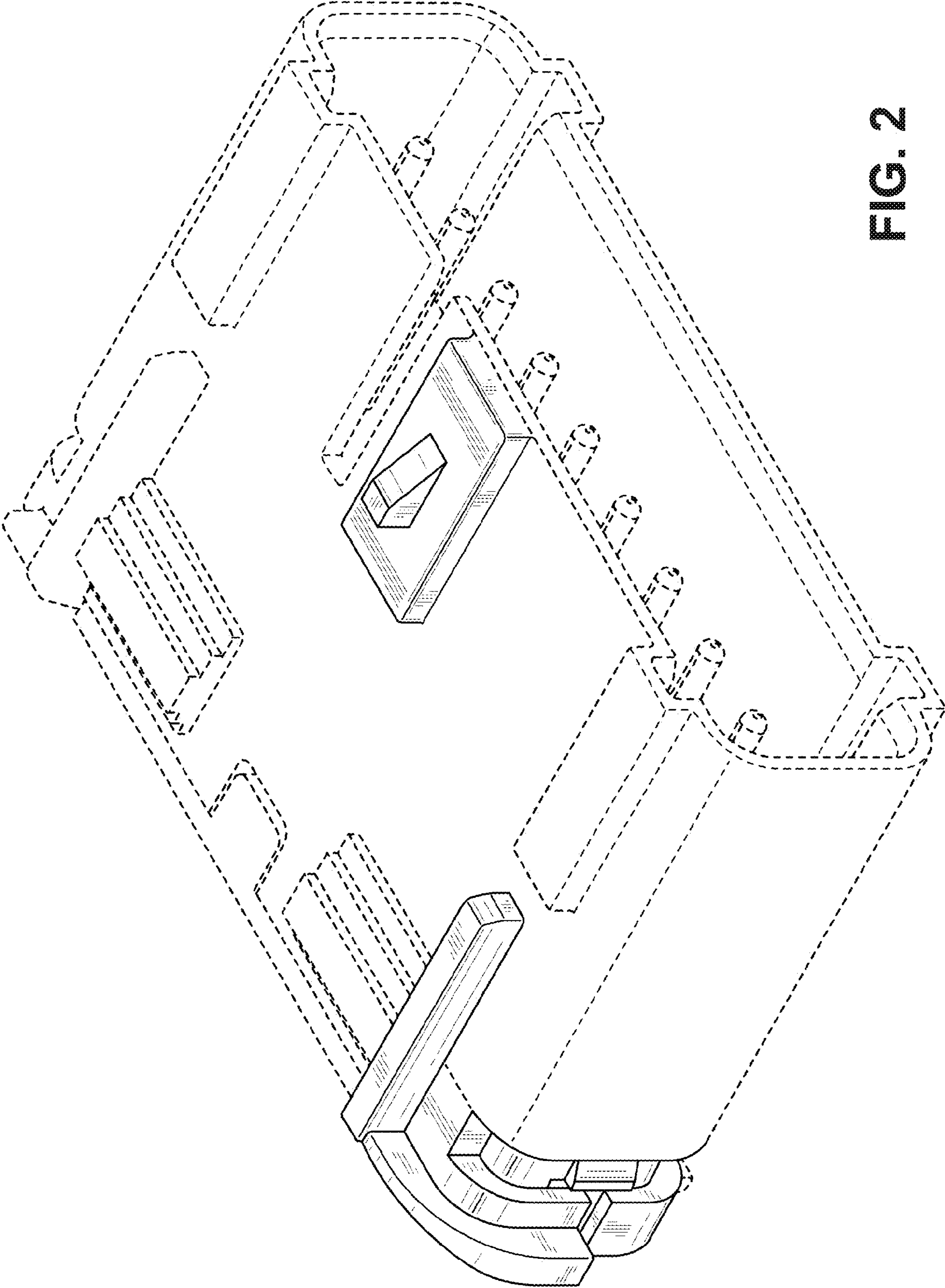


FIG. 2

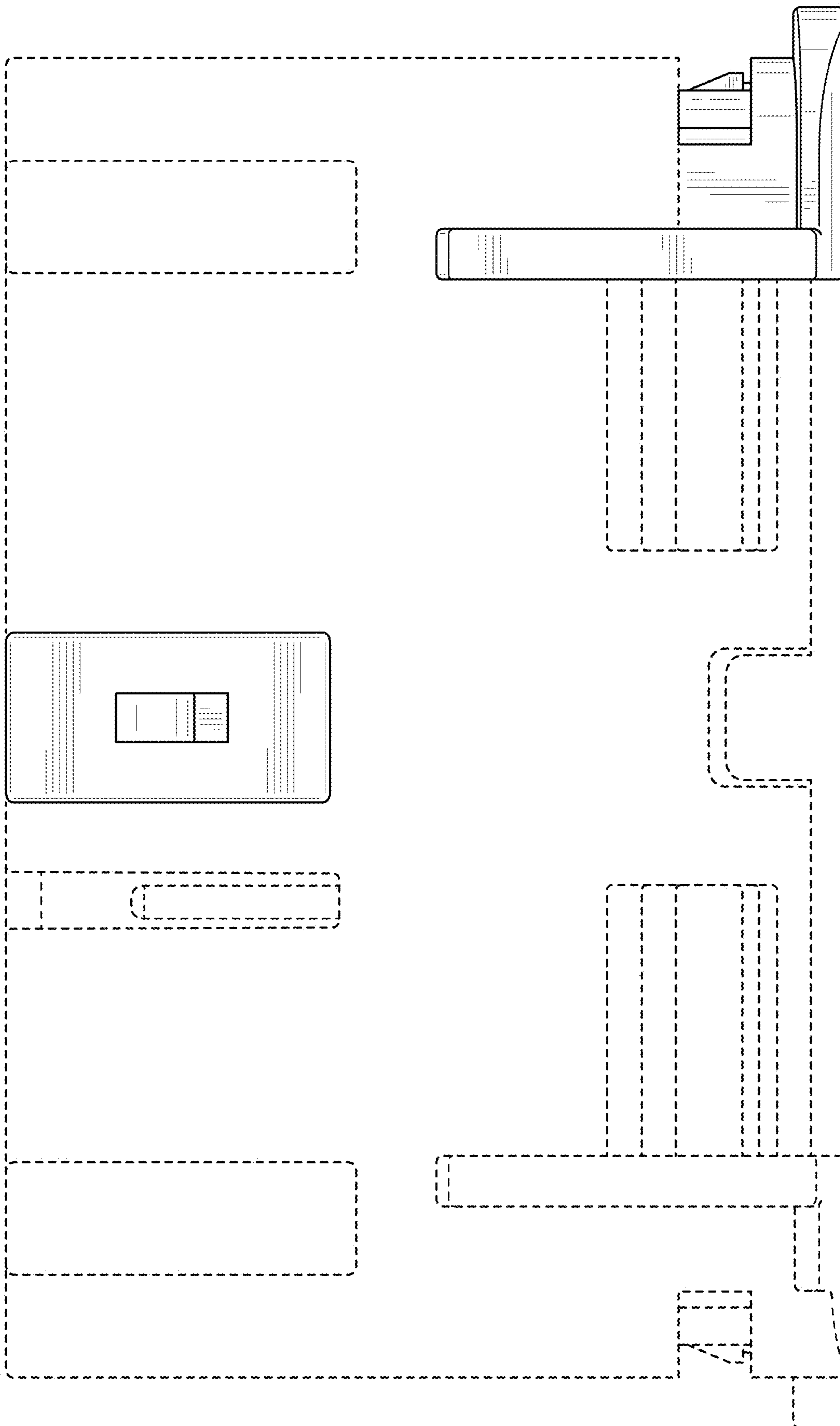


FIG. 3

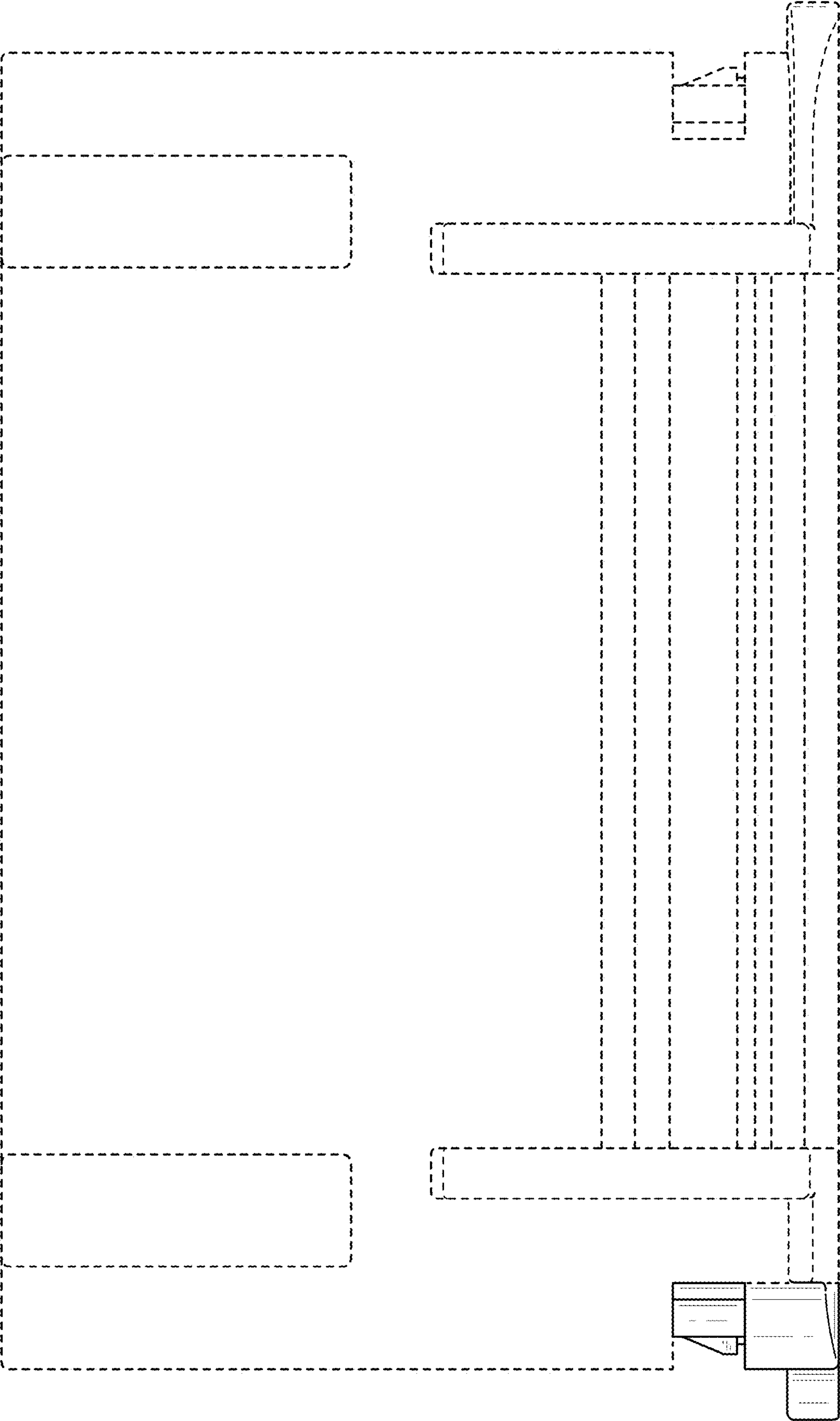


FIG. 4

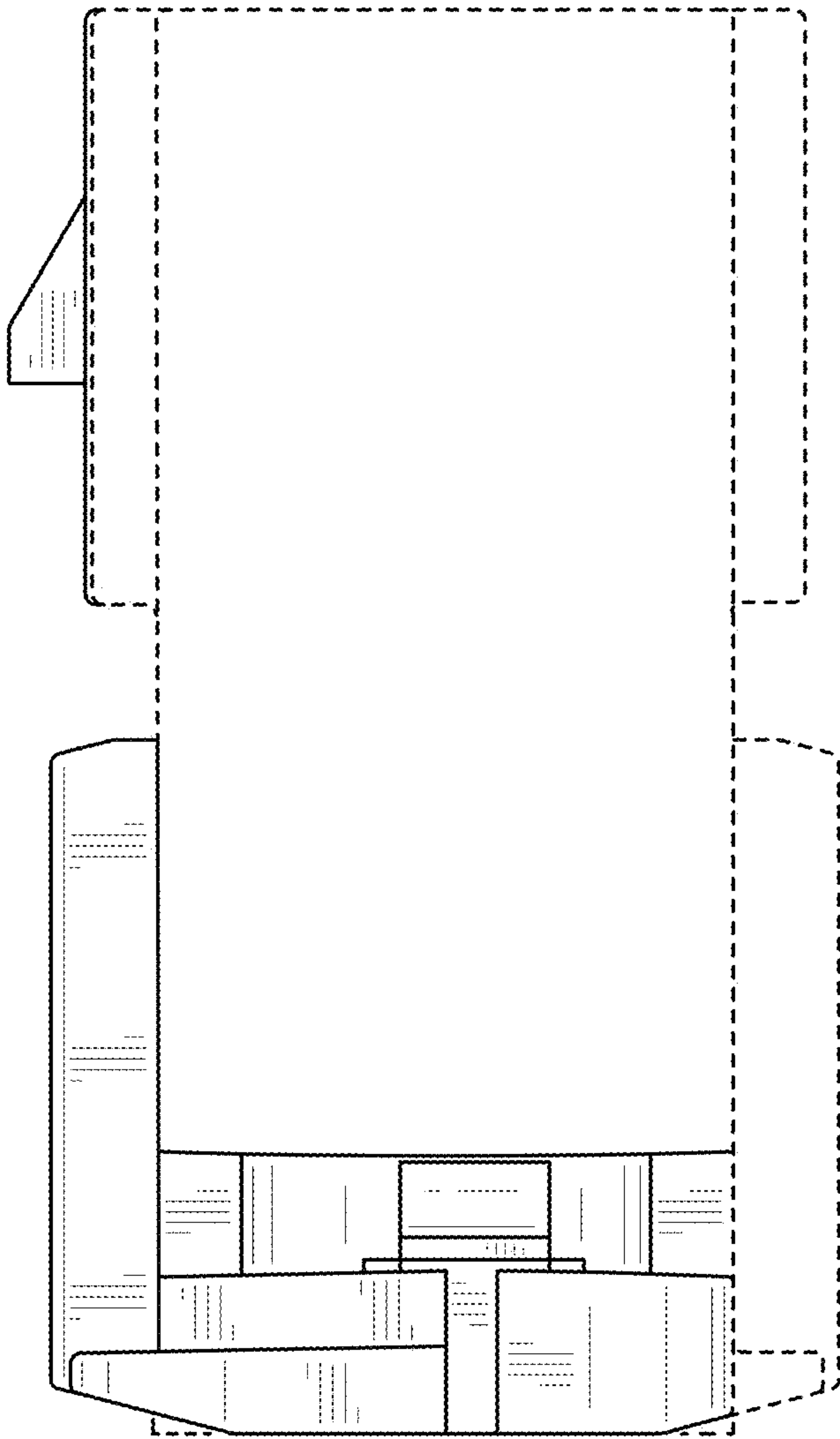


FIG. 5

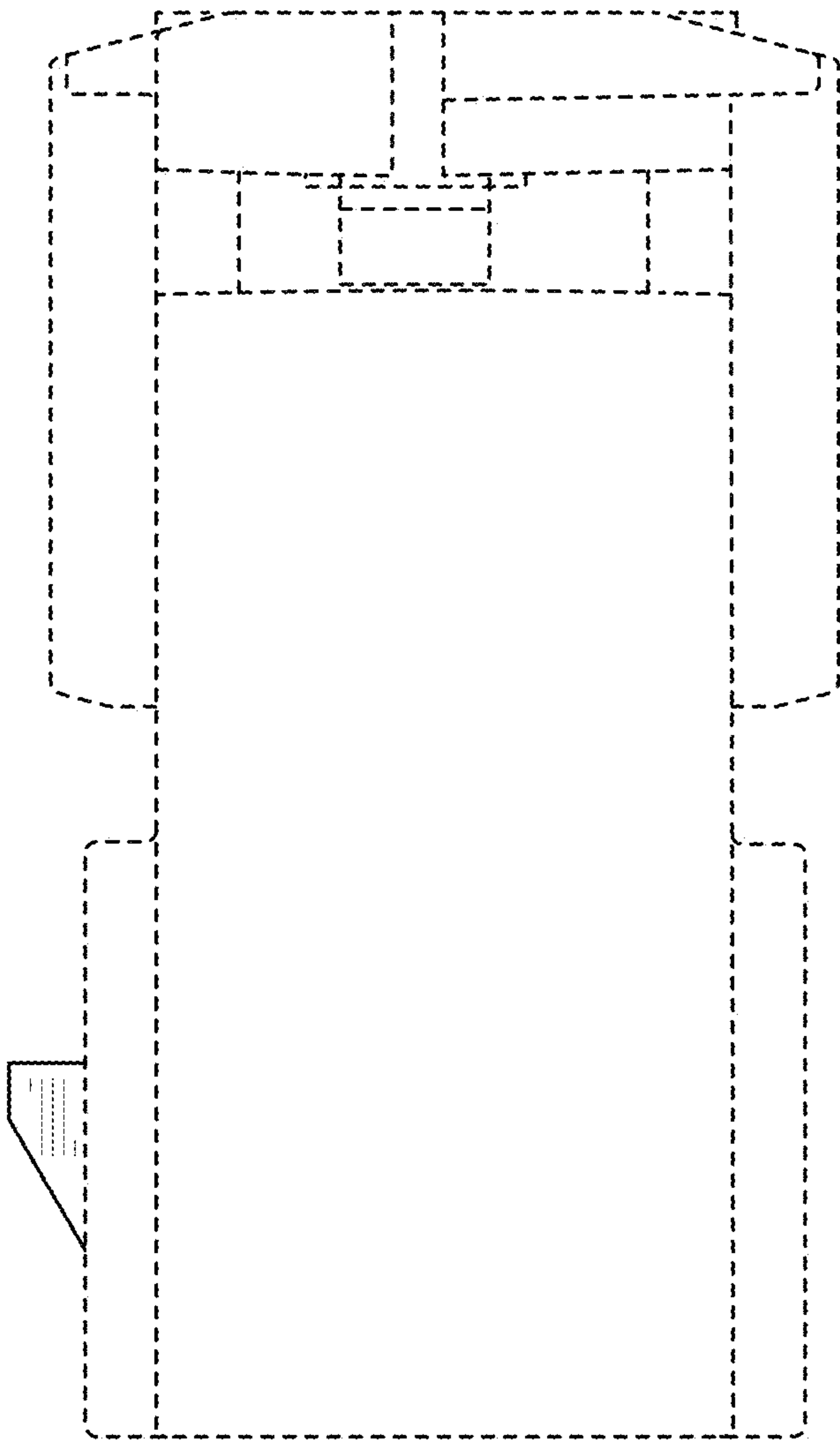


FIG. 6

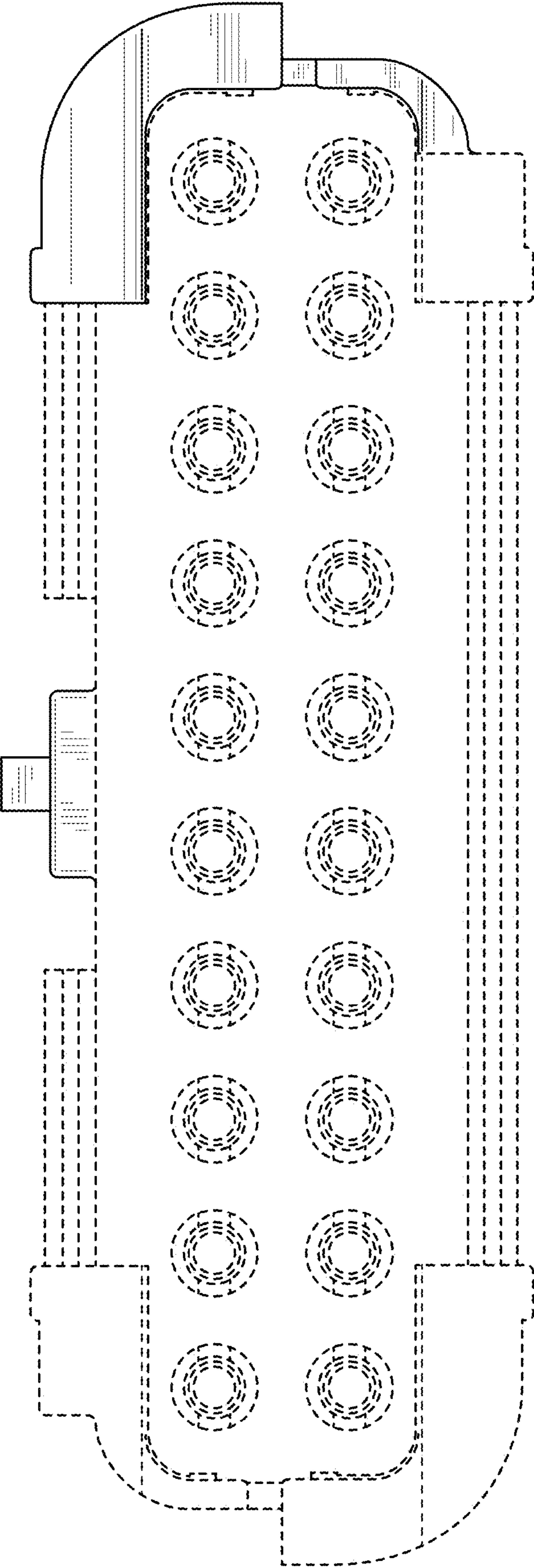


FIG. 7

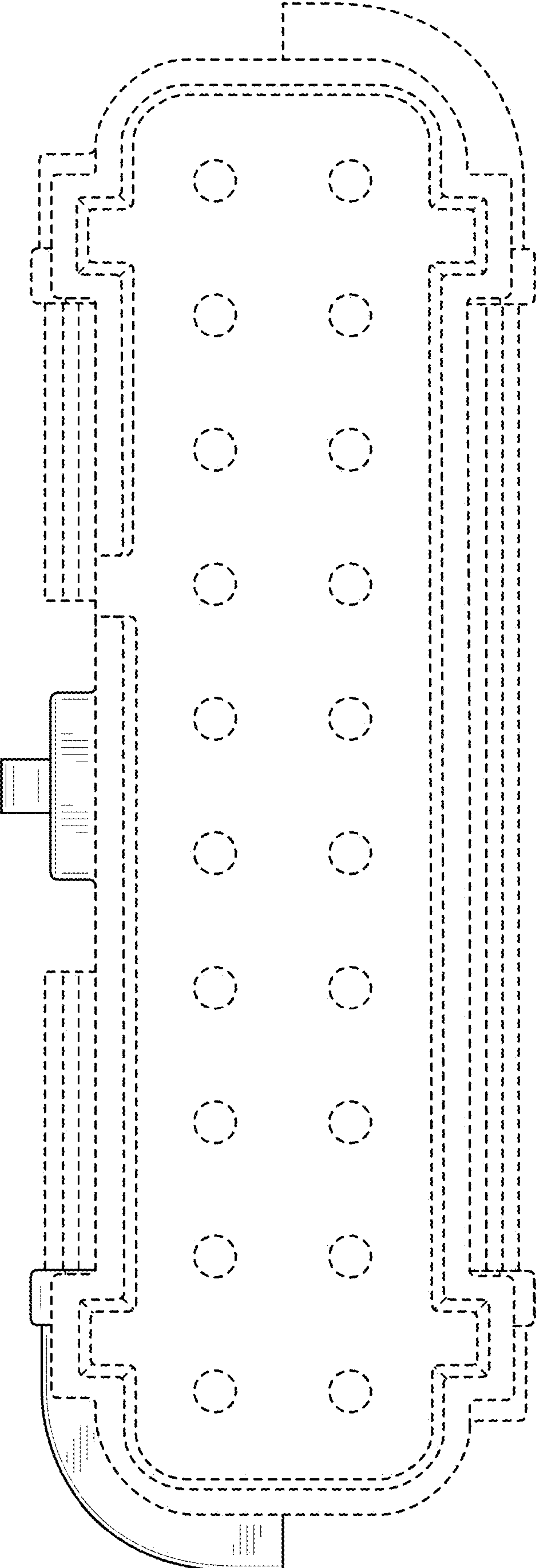


FIG. 8

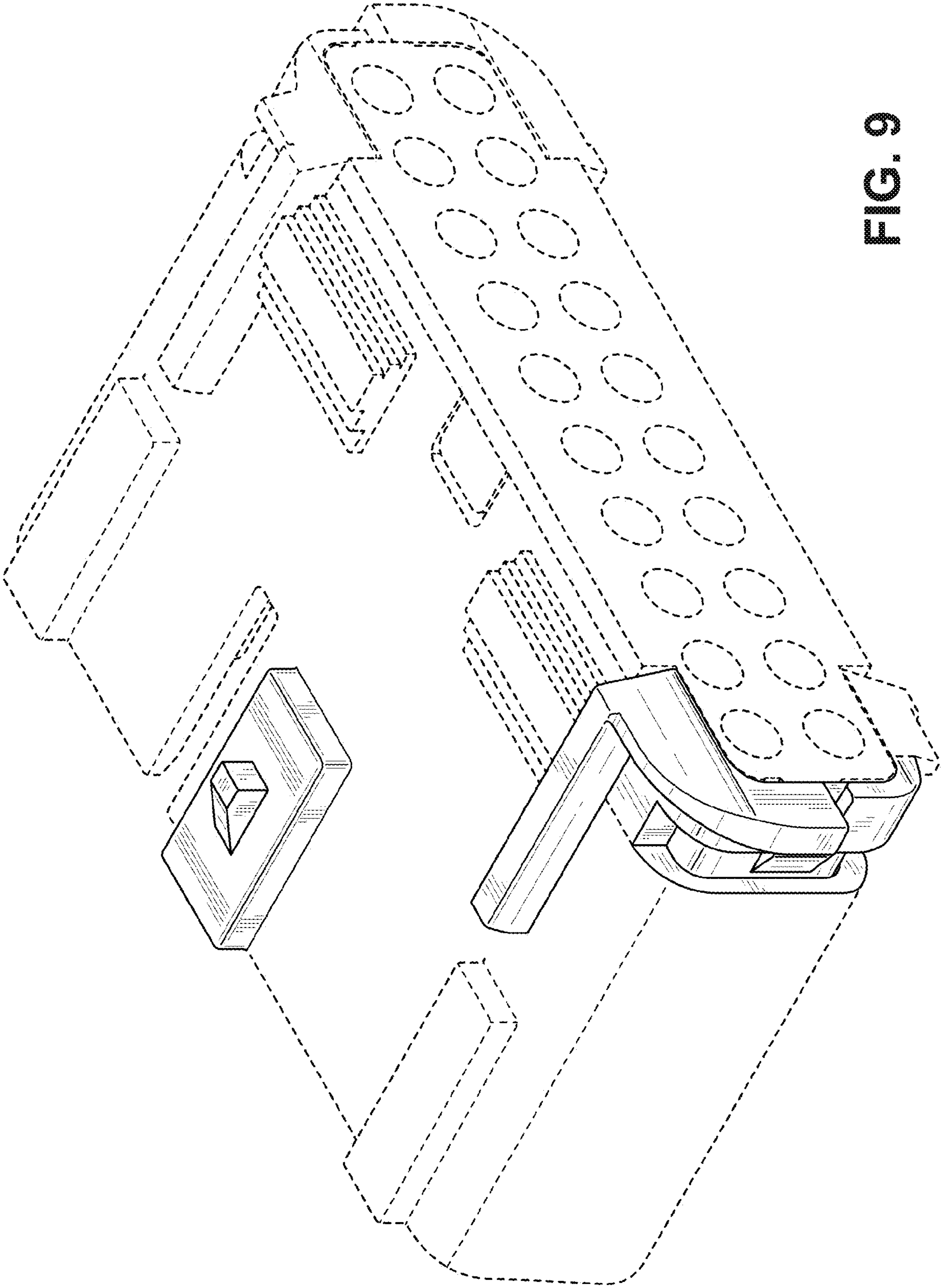


FIG. 9

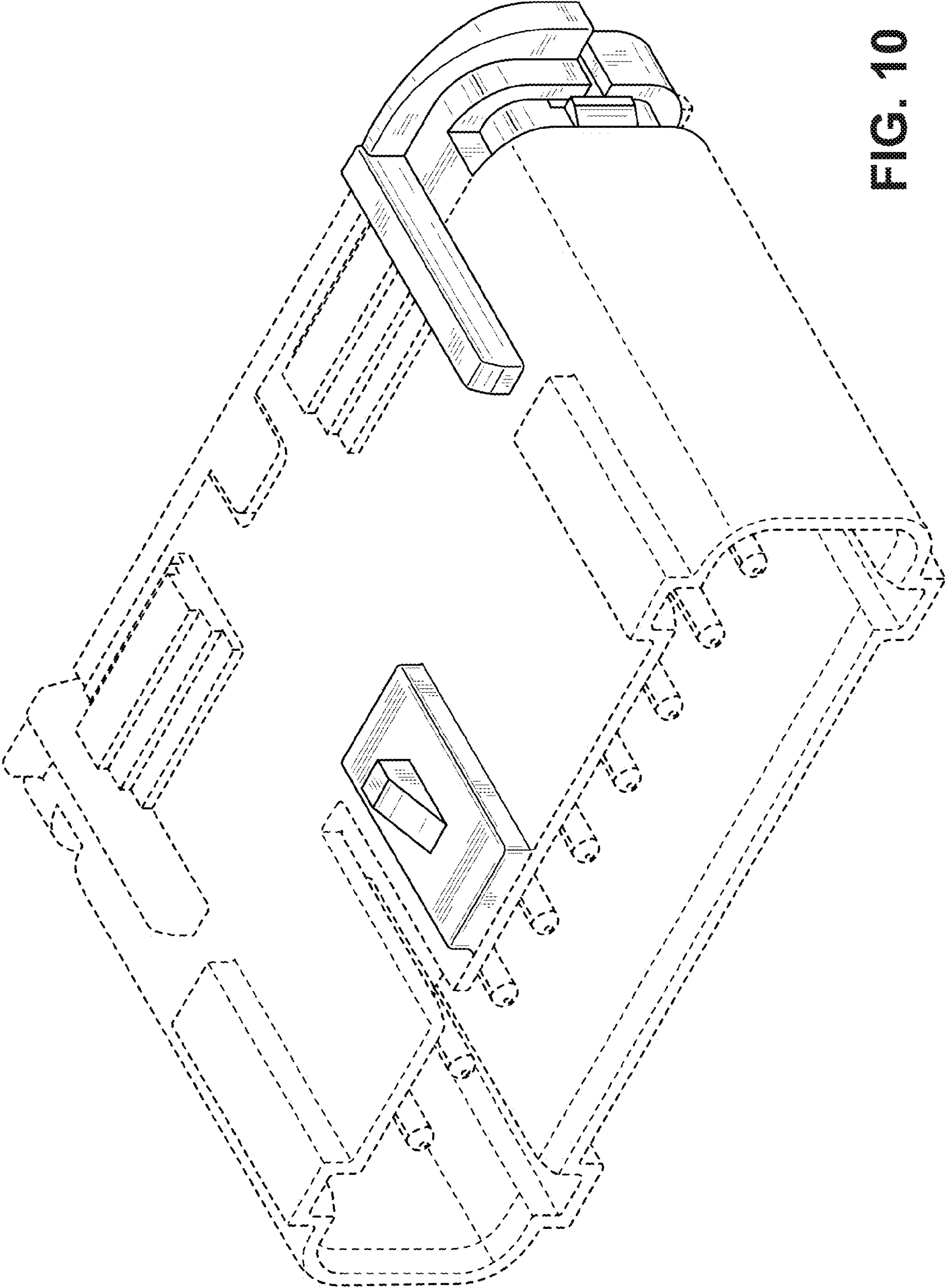


FIG. 10

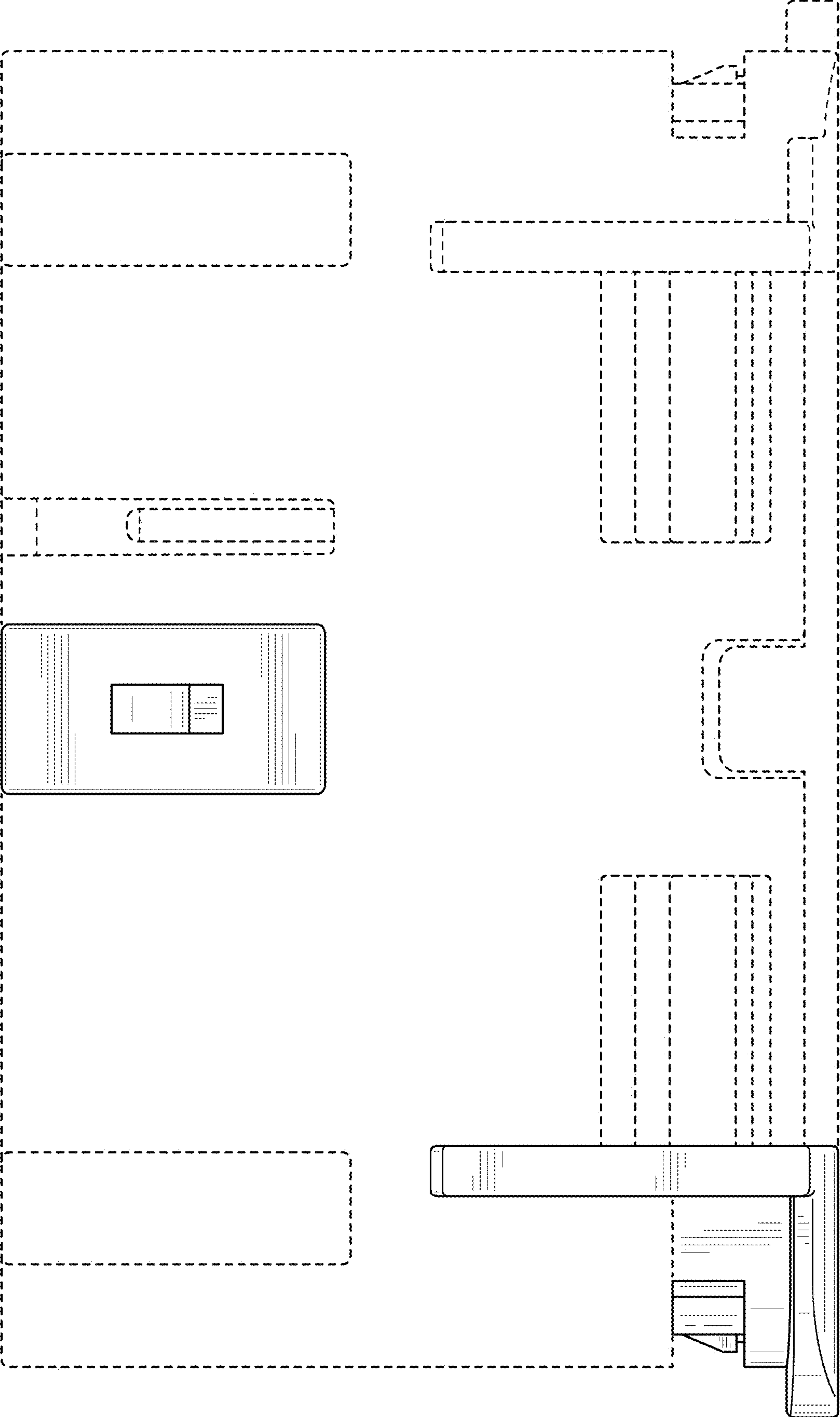


FIG. 11

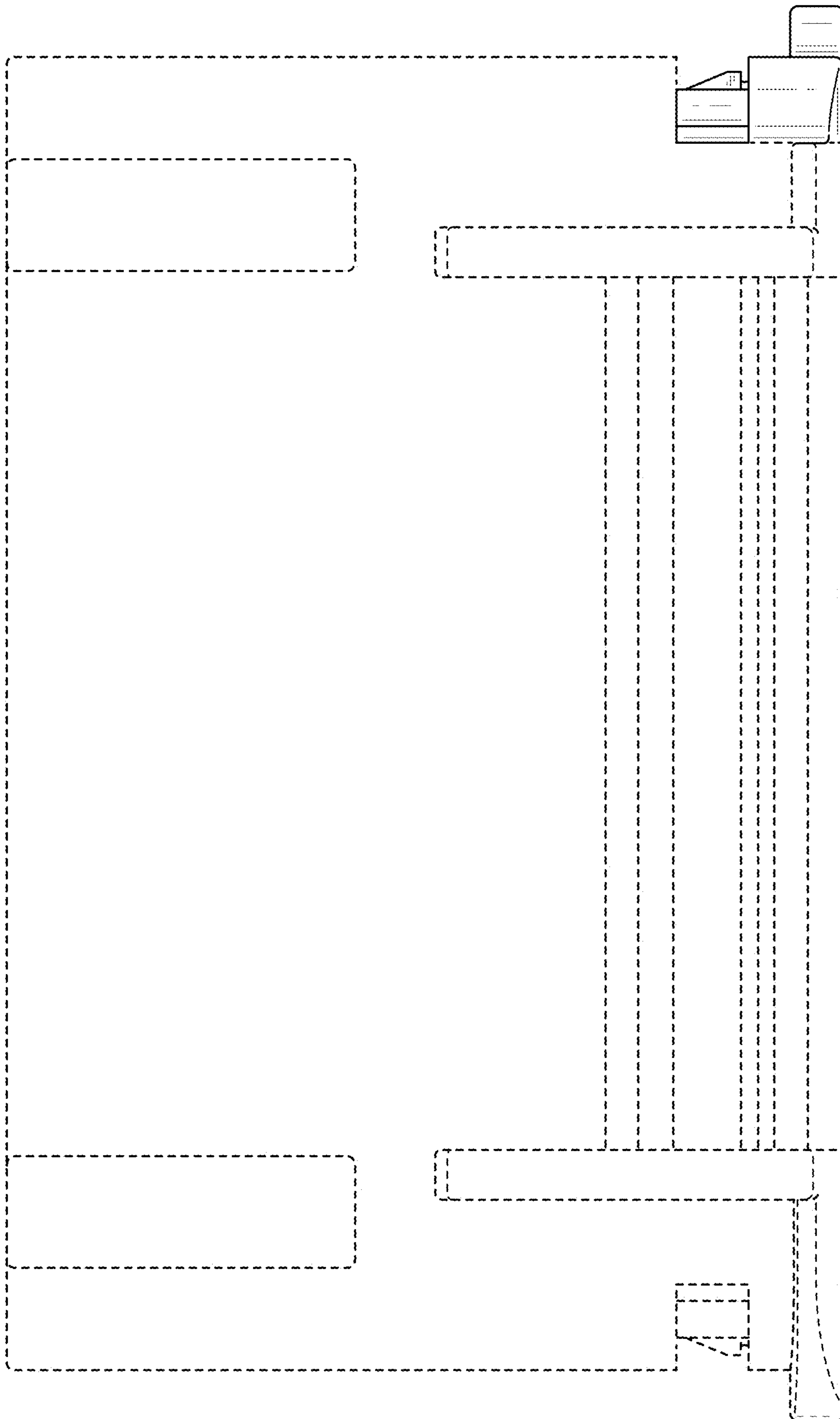


FIG. 12

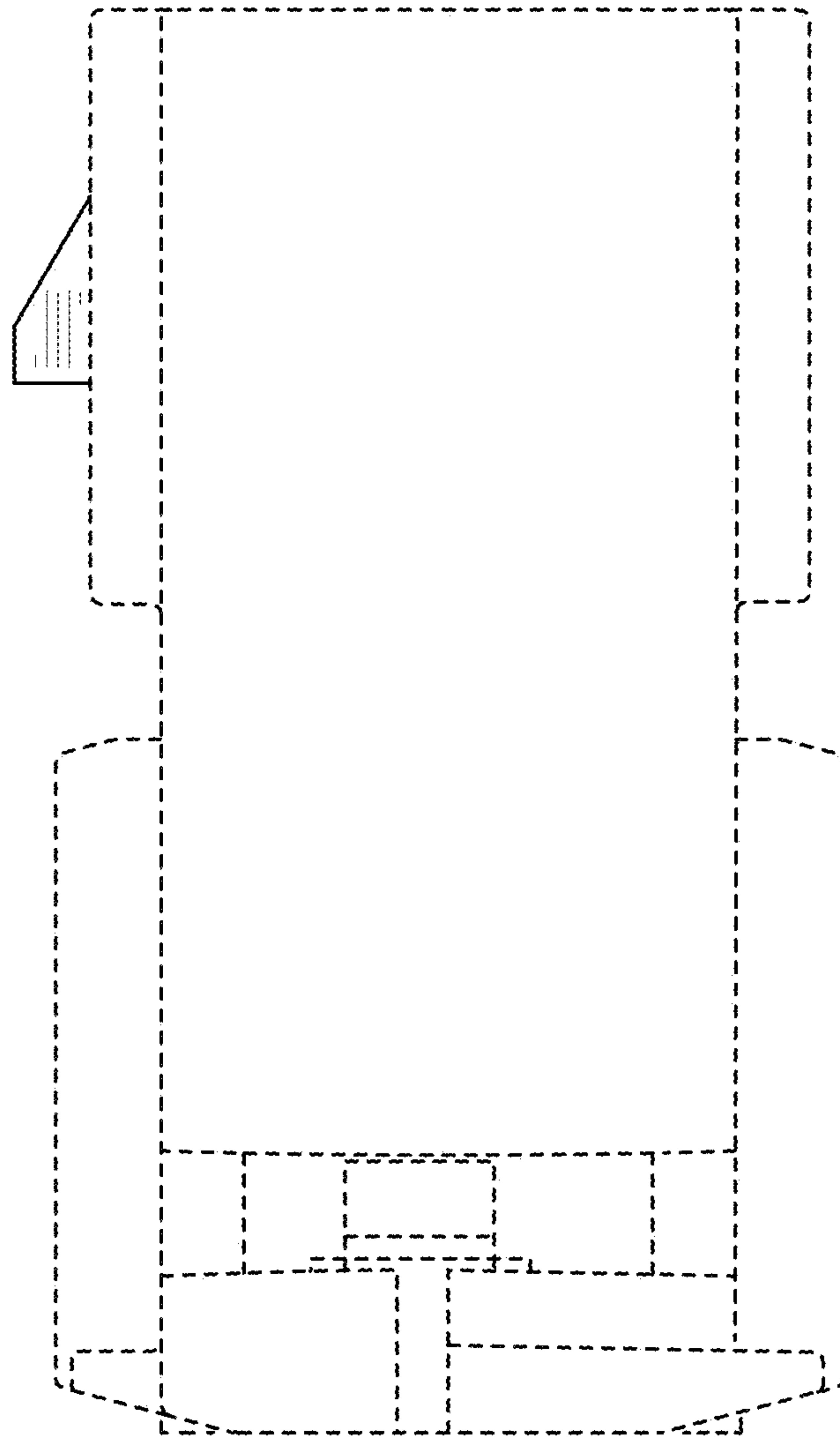


FIG. 13

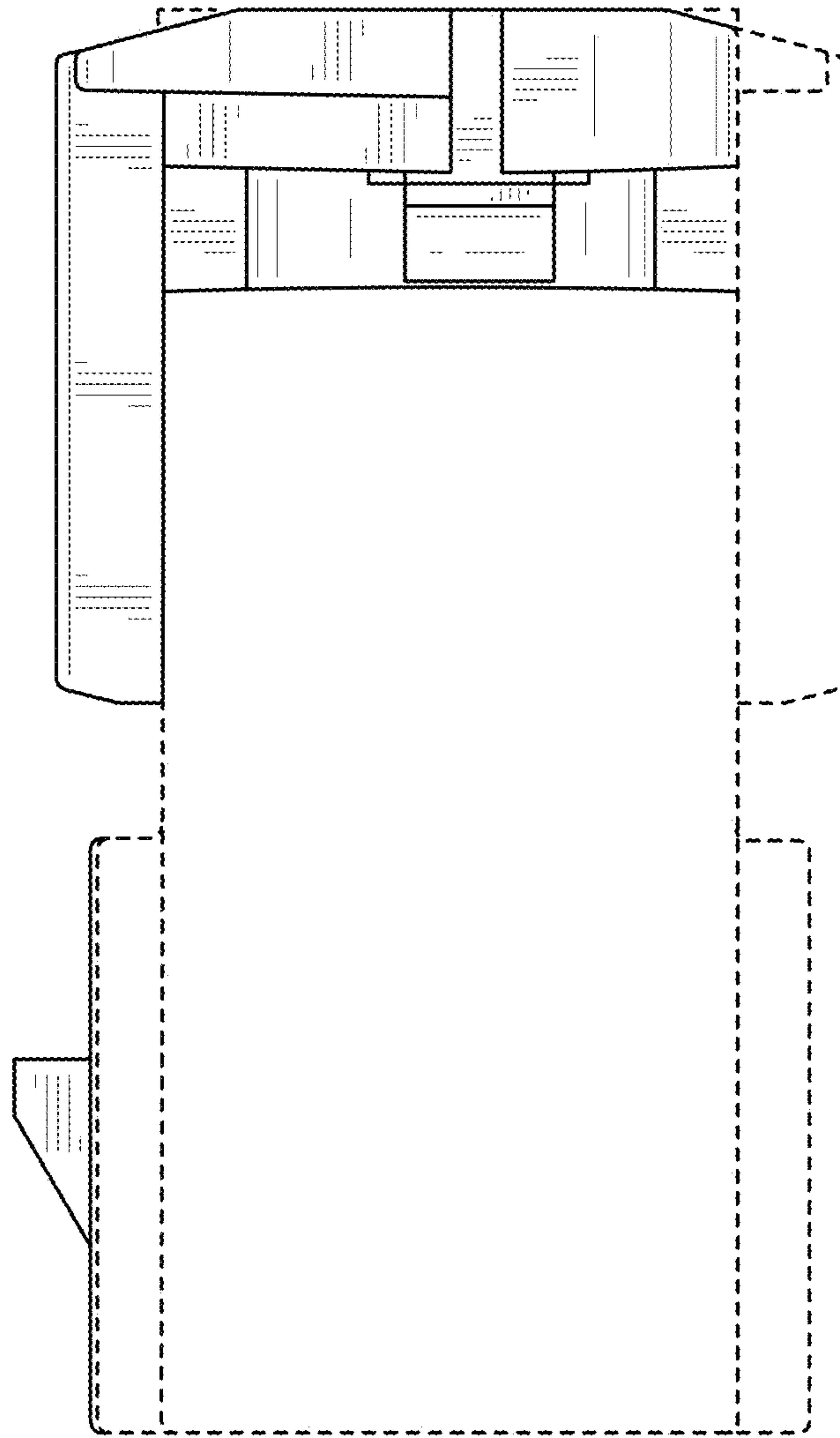


FIG. 14

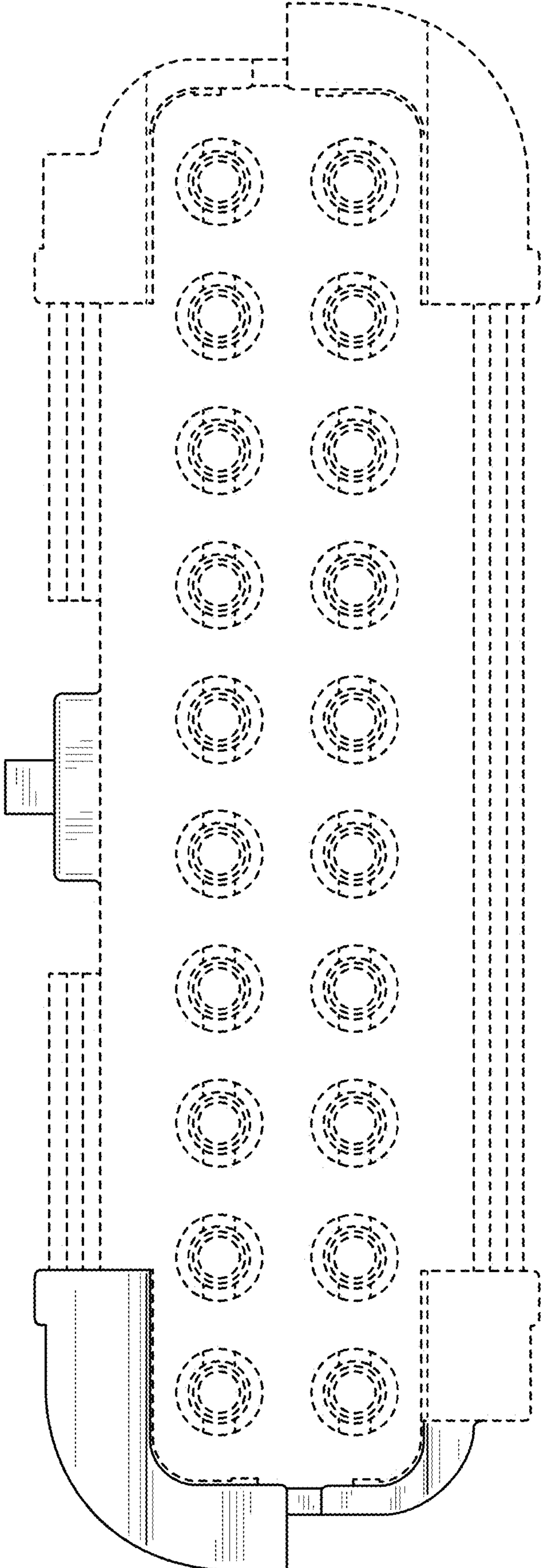


FIG. 15

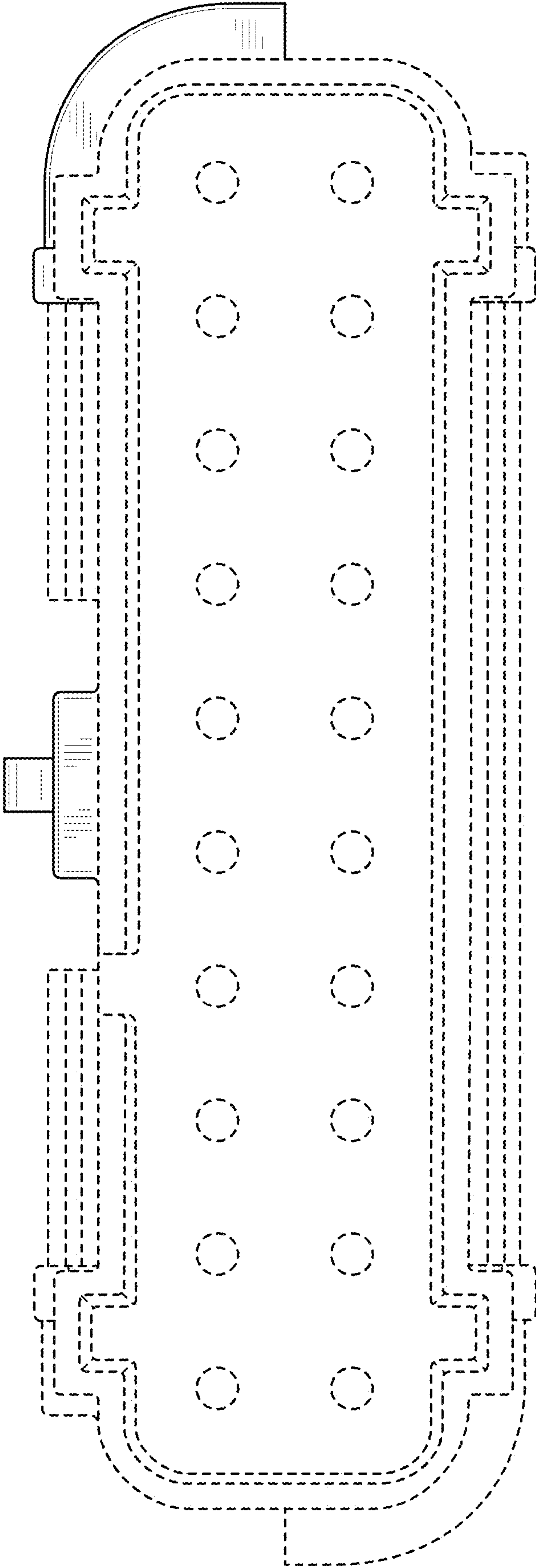


FIG. 16