



US00D961521S

(12) **United States Design Patent** (10) **Patent No.:** **US D961,521 S**  
**Zhou** (45) **Date of Patent:** **\*\* Aug. 23, 2022**

(54) **SOCKET**

(71) Applicant: **Xiaoqin Zhou**, Jurong (CN)

(72) Inventor: **Xiaoqin Zhou**, Jurong (CN)

(\*\*) Term: **15 Years**

(21) Appl. No.: **29/798,250**

(22) Filed: **Jul. 7, 2021**

(51) **LOC (13) Cl.** ..... **13-03**

(52) **U.S. Cl.**  
USPC ..... **D13/137.2**

(58) **Field of Classification Search**  
USPC ..... D13/123, 133, 147, 137.1–137.4,  
D13/139.1–139.8, 173, 184, 199  
CPC .... H01R 25/006; H01R 31/02; H01R 31/065;  
H01R 24/68; H01R 13/5213; H02G 3/14  
See application file for complete search history.

(56) **References Cited**

**U.S. PATENT DOCUMENTS**

D195,955 S *	8/1963	Carlson	.....	D13/137.1
3,997,225 A *	12/1976	Horwinski	.....	H01R 13/648
				439/652
4,897,049 A *	1/1990	Miller	.....	H01R 25/006
				439/652
D312,615 S *	12/1990	Schwartz	.....	D13/137.2
5,094,630 A *	3/1992	Jammet	.....	H01R 31/02
				439/652
D361,315 S *	8/1995	Wedell	.....	D13/160
D364,379 S *	11/1995	Pogue	.....	D13/160
D367,038 S *	2/1996	Fladung	.....	D13/137.2
D379,796 S *	6/1997	Bagga	.....	D13/139.4
D443,589 S *	6/2001	Tong	.....	D13/137.2
D582,346 S *	12/2008	Zhou	.....	D13/137.2
7,482,537 B1 *	1/2009	Shotey	.....	H02G 3/14
				33/528

(Continued)

**OTHER PUBLICATIONS**

Multi Plug Outlet, Surge Protector, ANHAORUI Outlet Splitter, dated Oct. 8, 2020, [online], [site visited Mar. 30, 2022. Available from Internet, URL: <https://www.amazon.com/dp/B08KVV473Z/> (Year: 2020).\*

(Continued)

*Primary Examiner* — Shawn T Gingrich

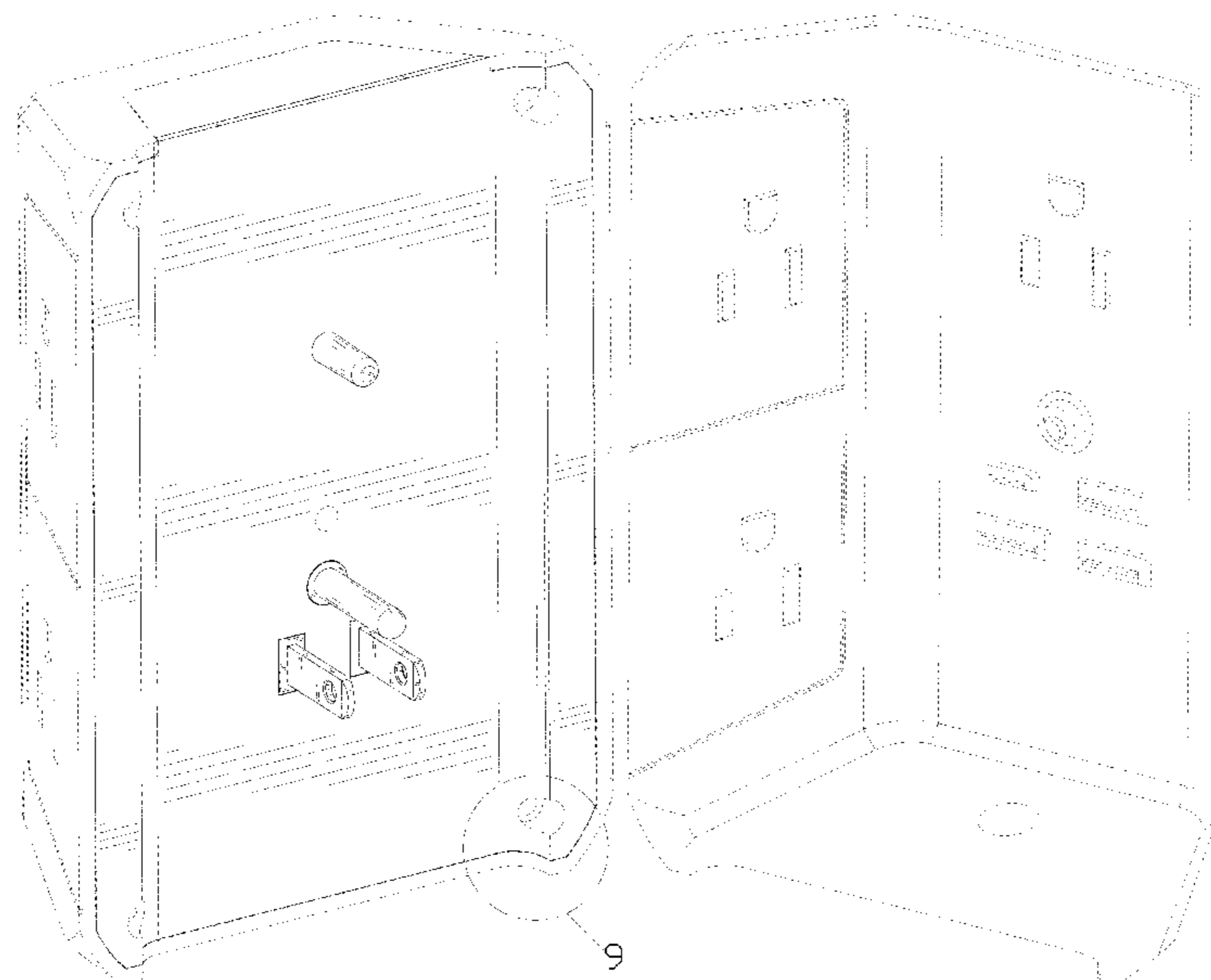
(57) **CLAIM**

The ornamental design for a socket, as shown and described.

**DESCRIPTION**

FIG. 1 is a perspective view of a first embodiment of a socket showing my new design;  
FIG. 2 is another perspective view thereof;  
FIG. 3 is a front elevational view thereof;  
FIG. 4 is a rear elevational view thereof;  
FIG. 5 is a left side elevational view thereof;  
FIG. 6 is a right side elevational view thereof;  
FIG. 7 is a top plan view thereof;  
FIG. 8 is a bottom plan view thereof;  
FIG. 9 is an enlarged view of portion 9 shown in FIG. 1;  
FIG. 10 is a perspective view of a second embodiment of the socket showing my new design;  
FIG. 11 is another perspective view thereof;  
FIG. 12 is a front elevational view thereof;  
FIG. 13 is a rear elevational view thereof;  
FIG. 14 is a left side elevational view thereof;  
FIG. 15 is a right side elevational view thereof;  
FIG. 16 is a top plan view thereof;  
FIG. 17 is a bottom plan view thereof; and,  
FIG. 18 is an enlarged view of portion 18 shown in FIG. 10.  
The dash-dash broken lines in the drawings depict portions of the socket and form no part of the claimed design. The dot-dash broken lines in the drawings depict boundaries of the enlarged portions and form no part of the claimed design.

**1 Claim, 18 Drawing Sheets**



(56)

**References Cited**

U.S. PATENT DOCUMENTS

D662,056 S 6/2012 Lee et al.  
8,834,210 B2\* 9/2014 Brausen ..... H01R 13/7135  
439/718  
D727,853 S \* 4/2015 Clayton ..... D13/156  
D734,253 S \* 7/2015 Tinaphong ..... H01R 13/70  
D13/137.1  
D751,038 S \* 3/2016 Lin ..... D13/137.2  
D881,809 S \* 4/2020 Lyu ..... D13/137.2  
D881,821 S 4/2020 Lyu  
D895,554 S \* 9/2020 Jianting ..... D13/137.2  
D924,806 S \* 7/2021 Li ..... D13/137.2  
11,271,351 B1\* 3/2022 Chen ..... H01R 31/02  
D947,775 S \* 4/2022 Rajasekaran ..... D13/137.2  
D947,781 S \* 4/2022 Wei ..... D13/137.2  
2004/0121648 A1\* 6/2004 Voros ..... H01R 13/6215  
439/535

OTHER PUBLICATIONS

Powrui Surge Protector, USB Wall Charger with 2 USB Charging Ports, dated May 29, 2018, [online], [site visited Mar. 30, 2022]. Available from Internet, URL: <https://www.amazon.com/dp/B07DCRVBYX/> (Year: 2018).\*

\* cited by examiner

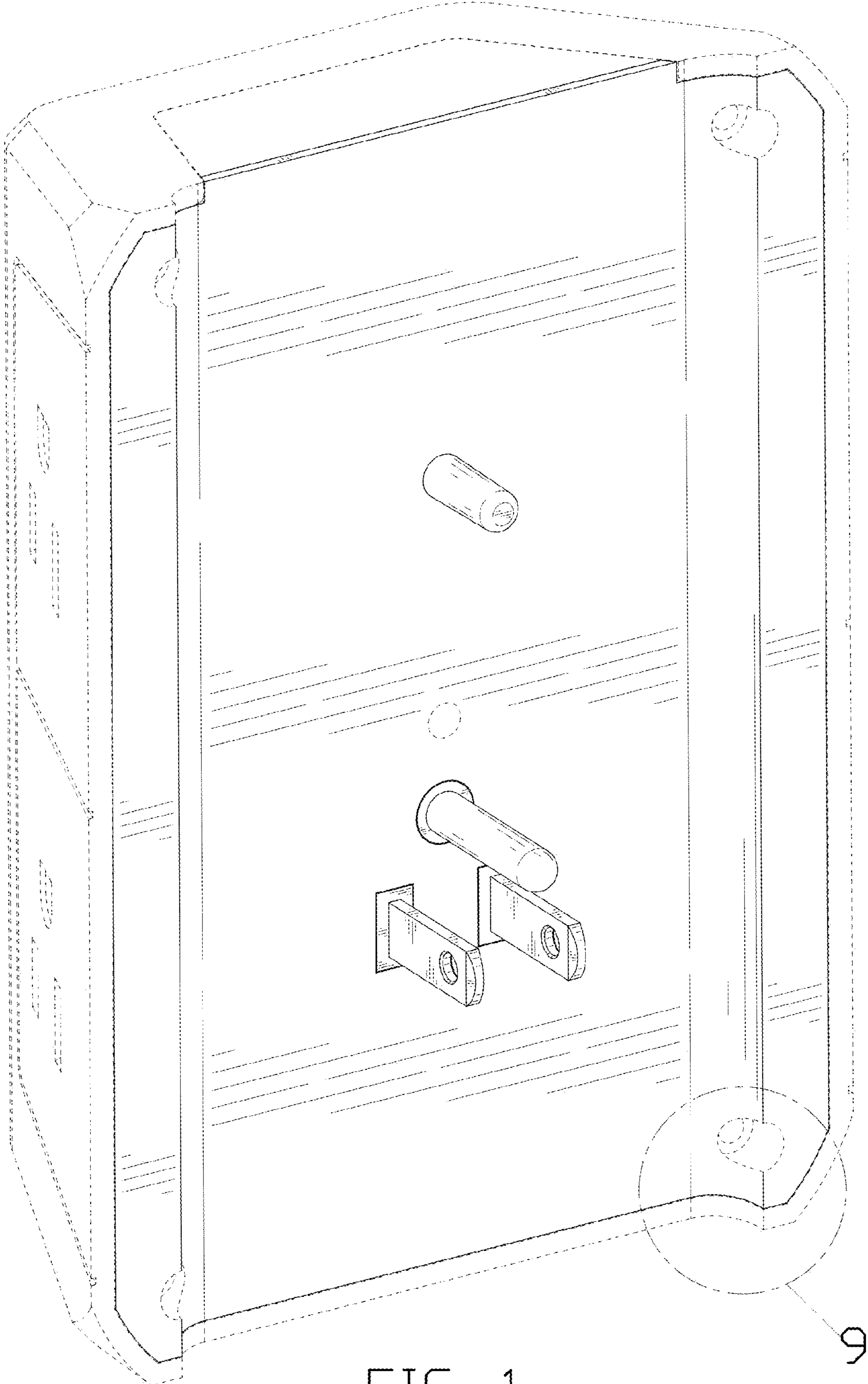


FIG. 1

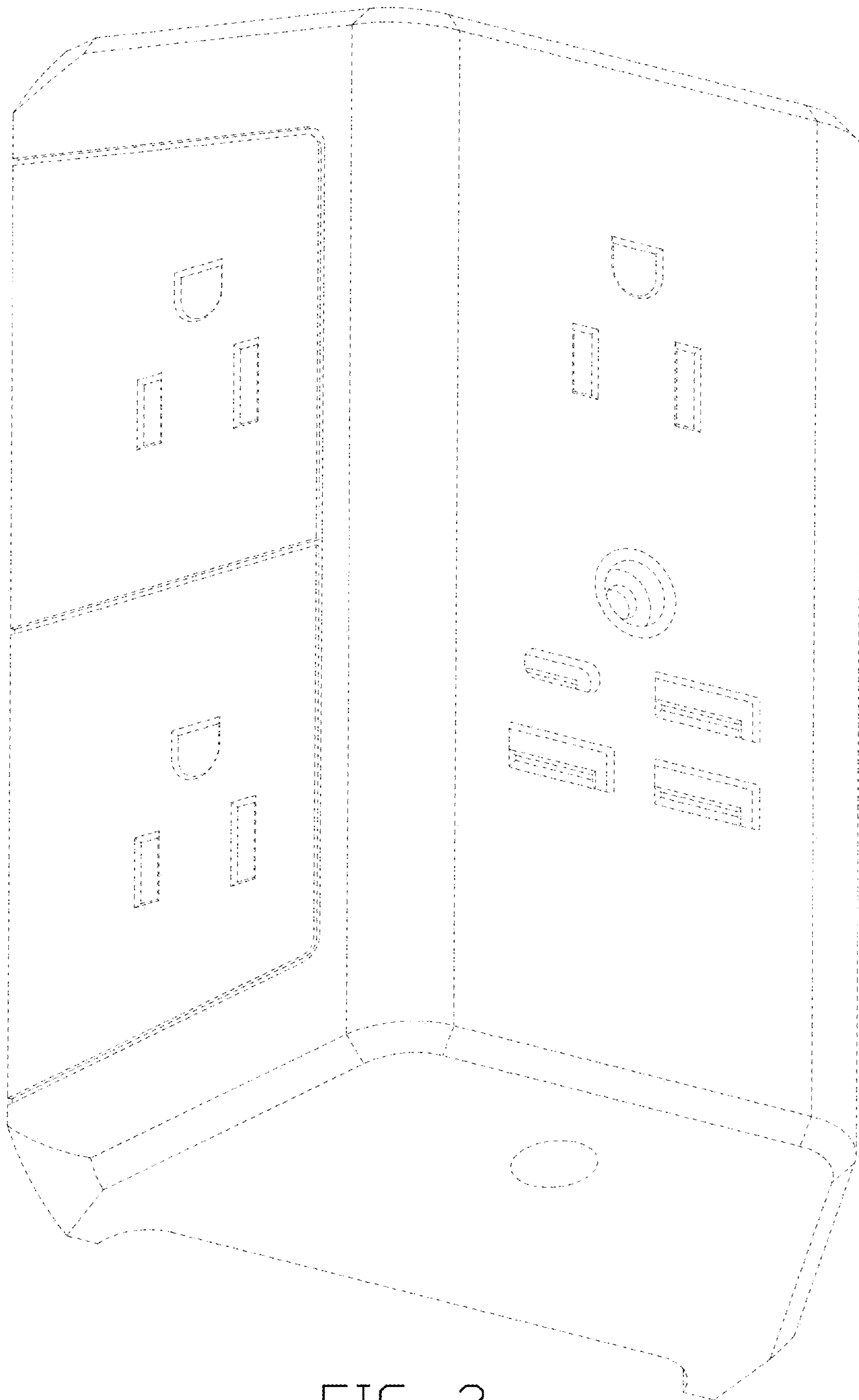


FIG. 2

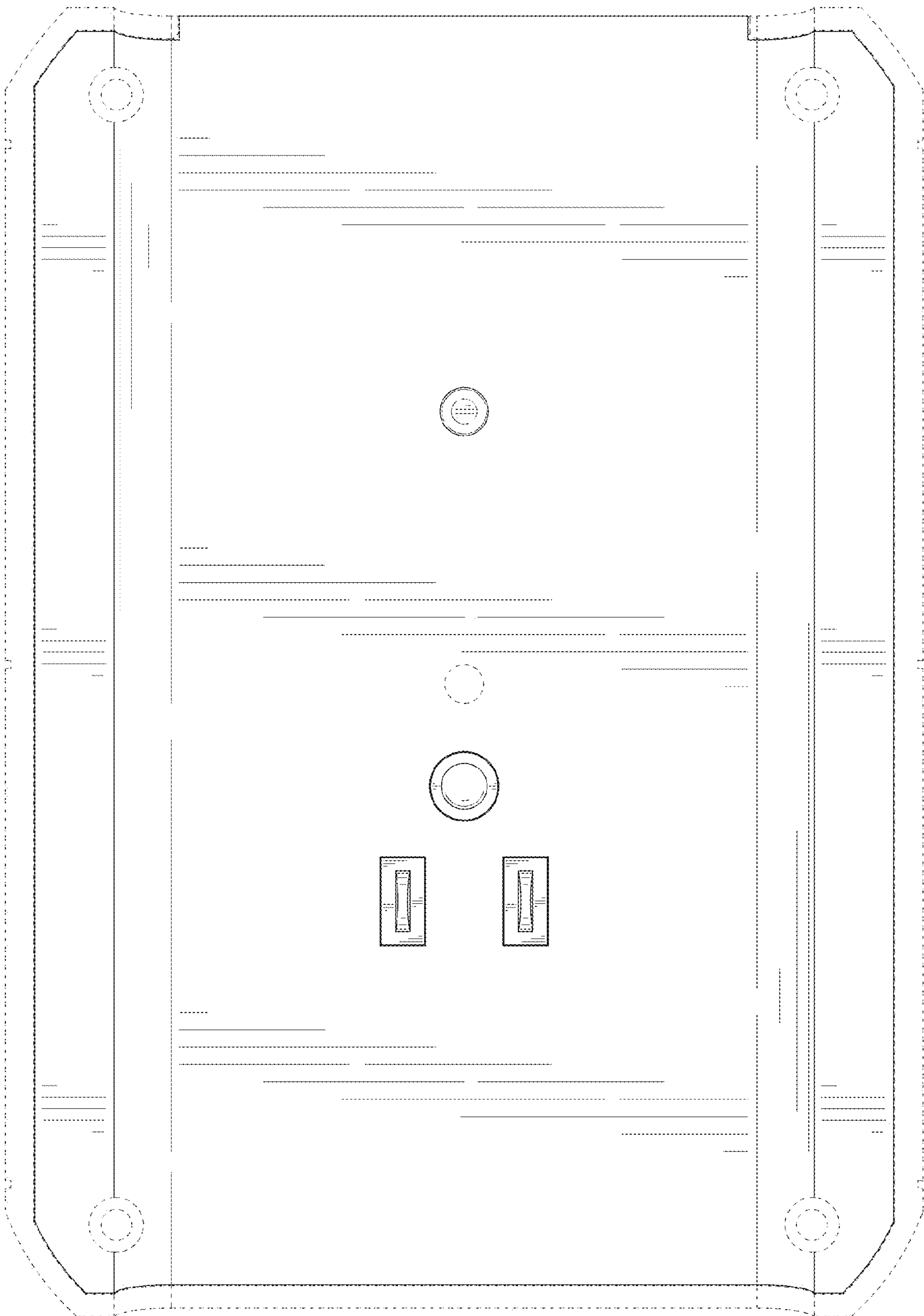


FIG. 3

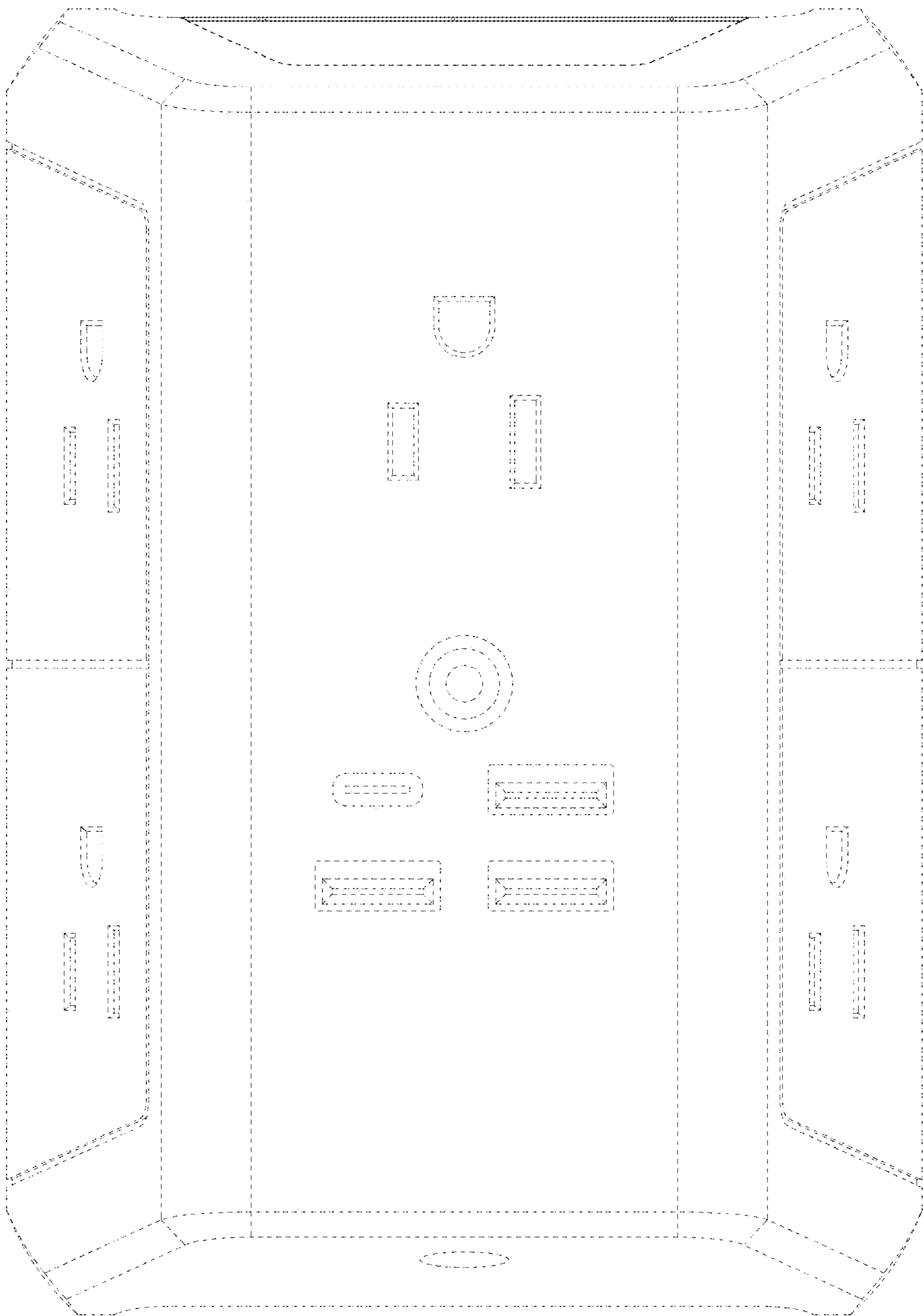


FIG. 4

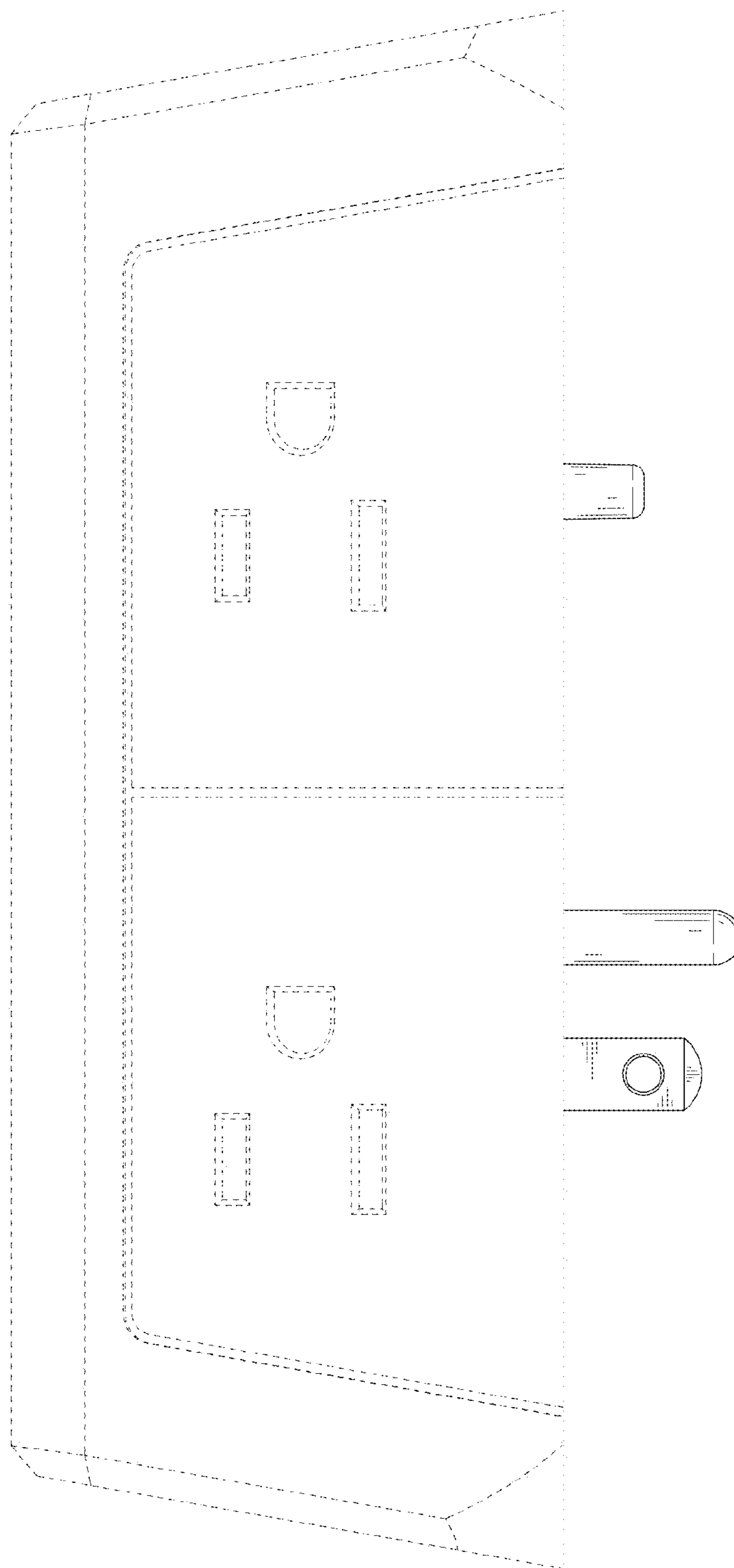


FIG. 5

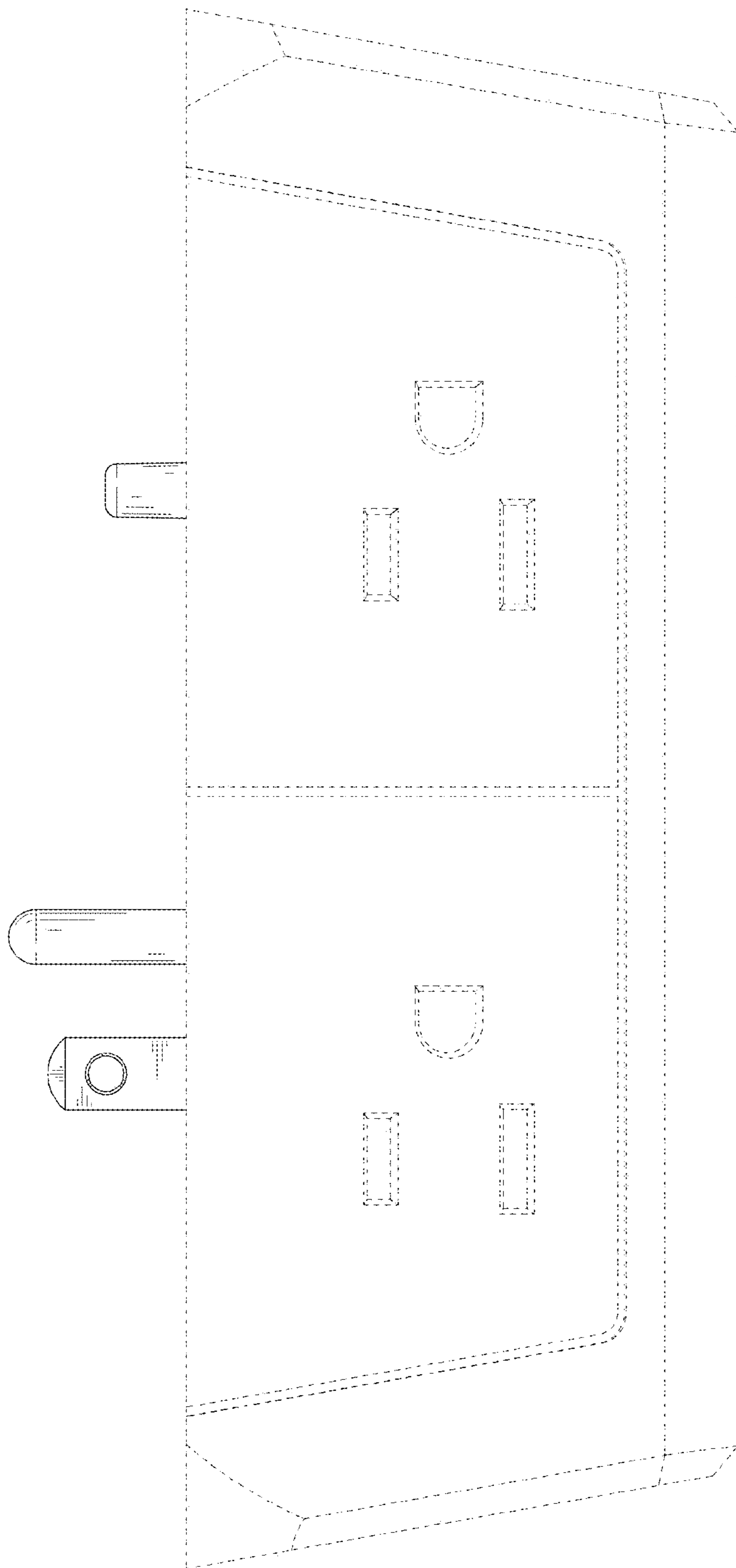


FIG. 6



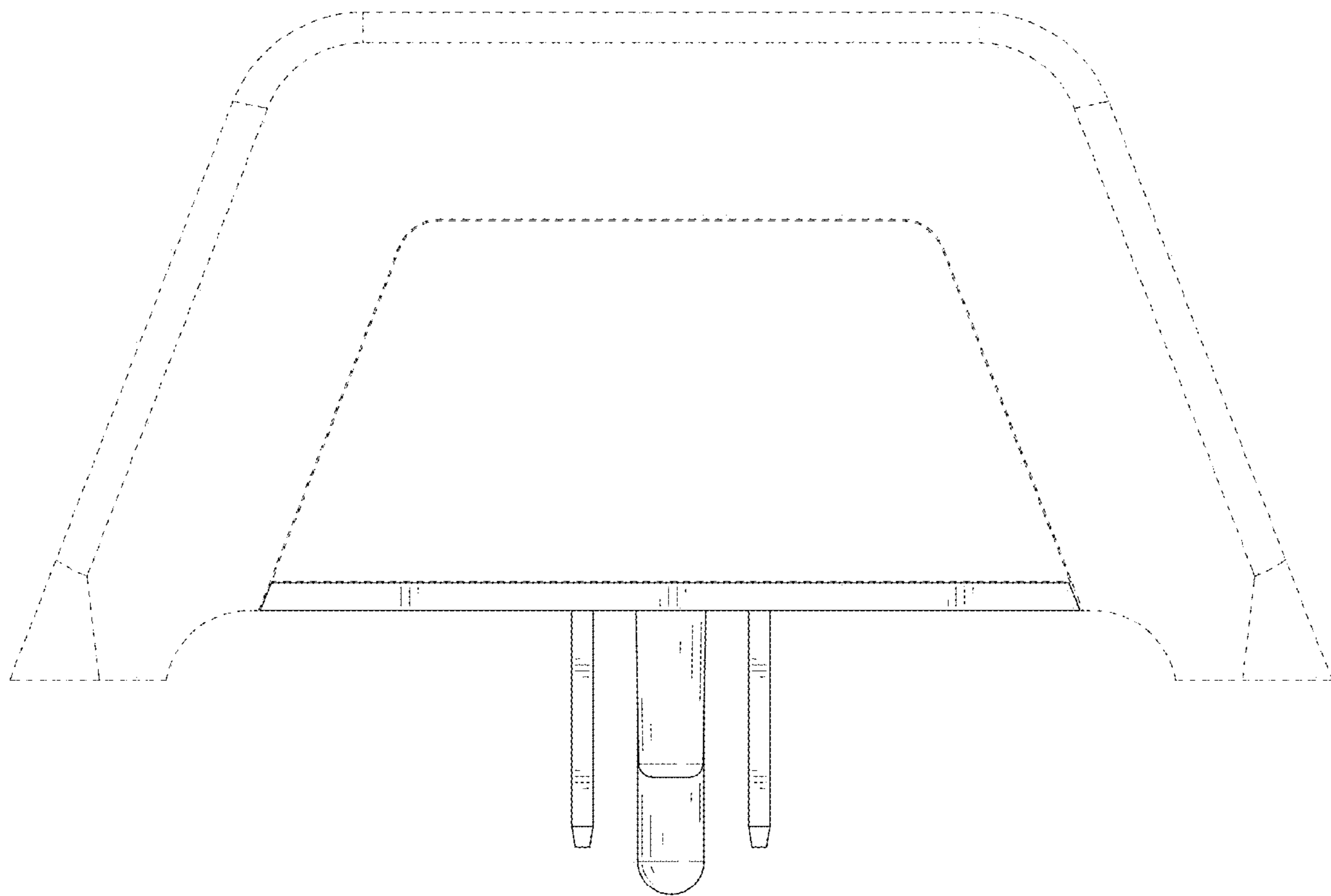


FIG. 7

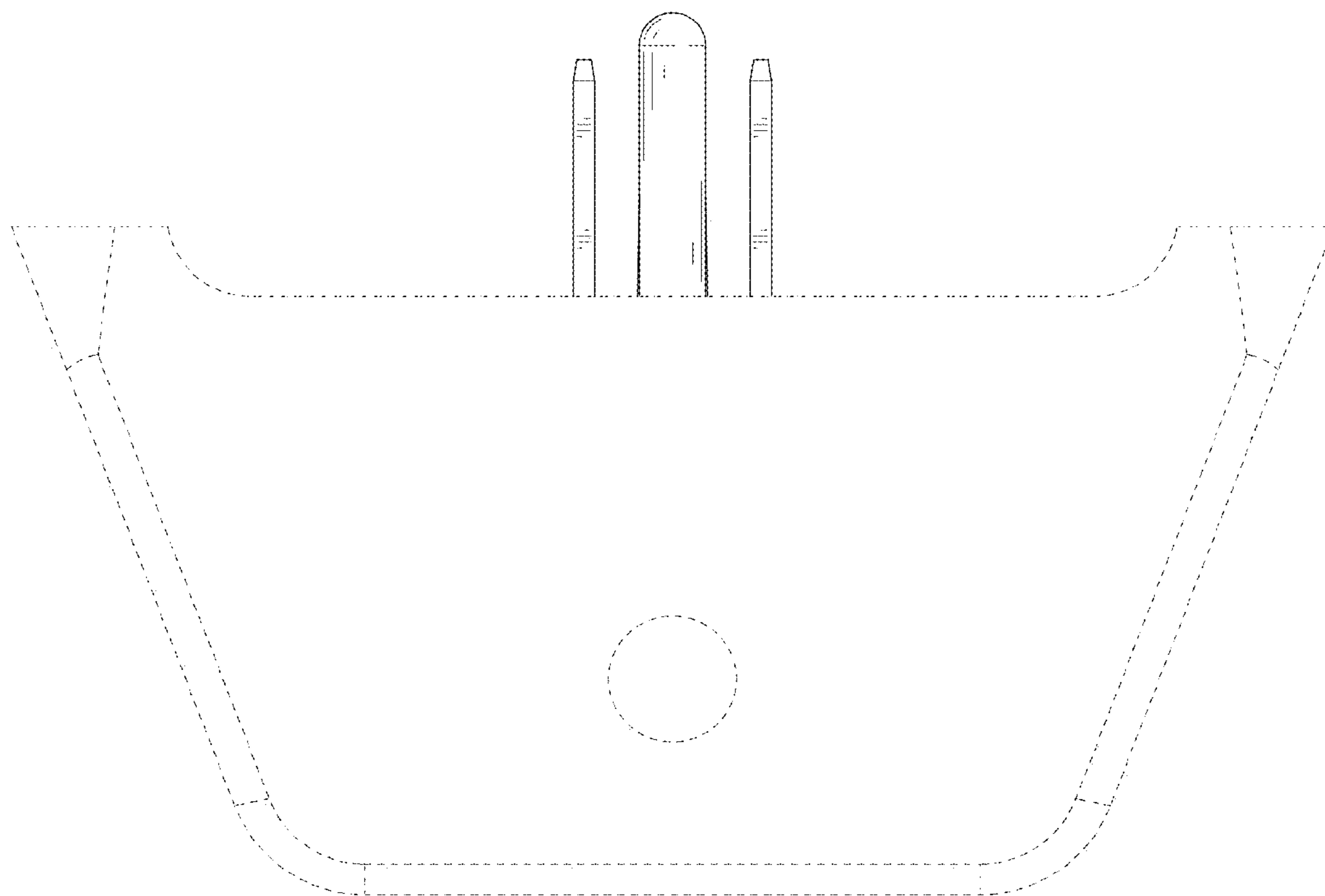


FIG. 8

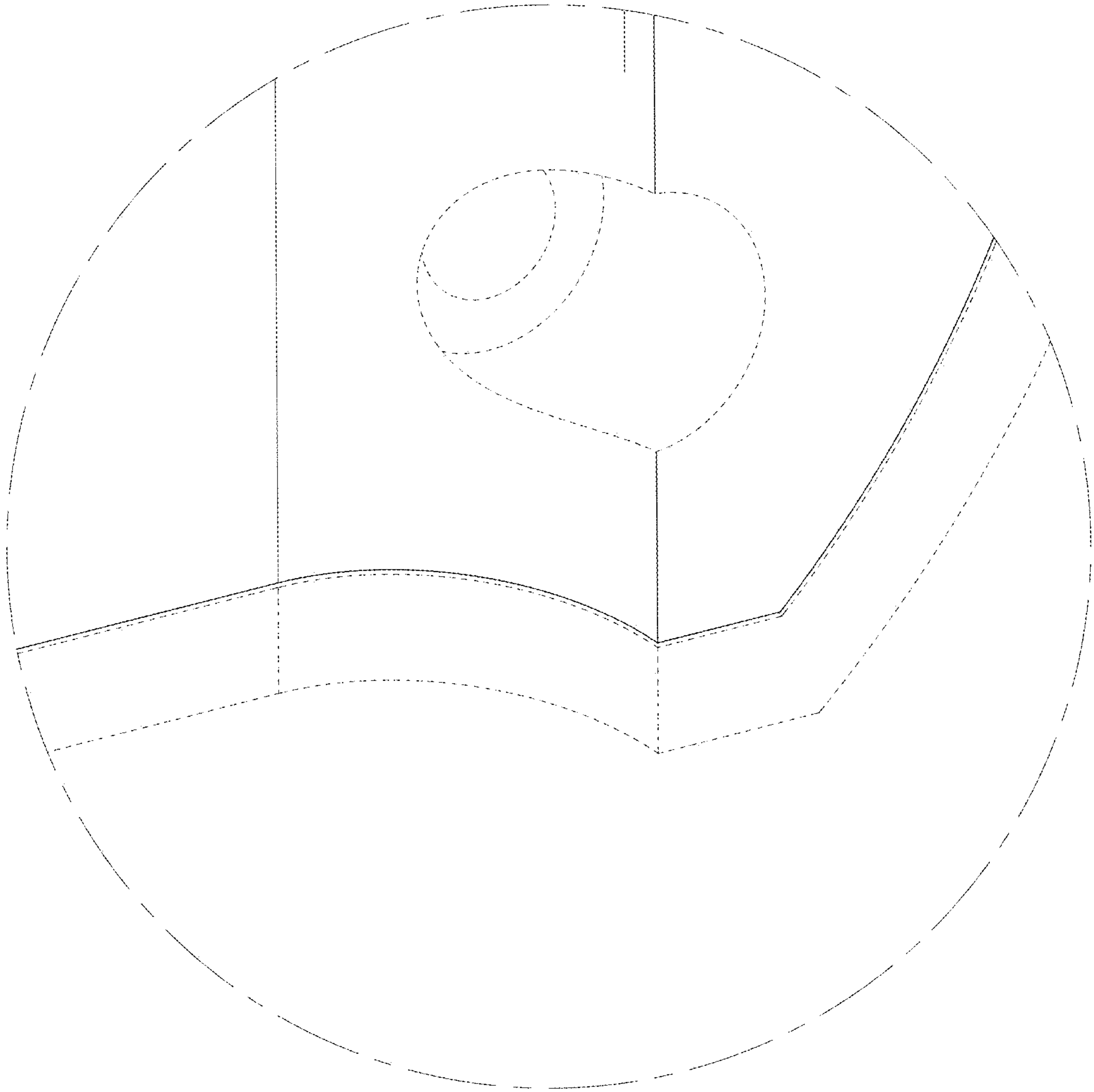


FIG. 9

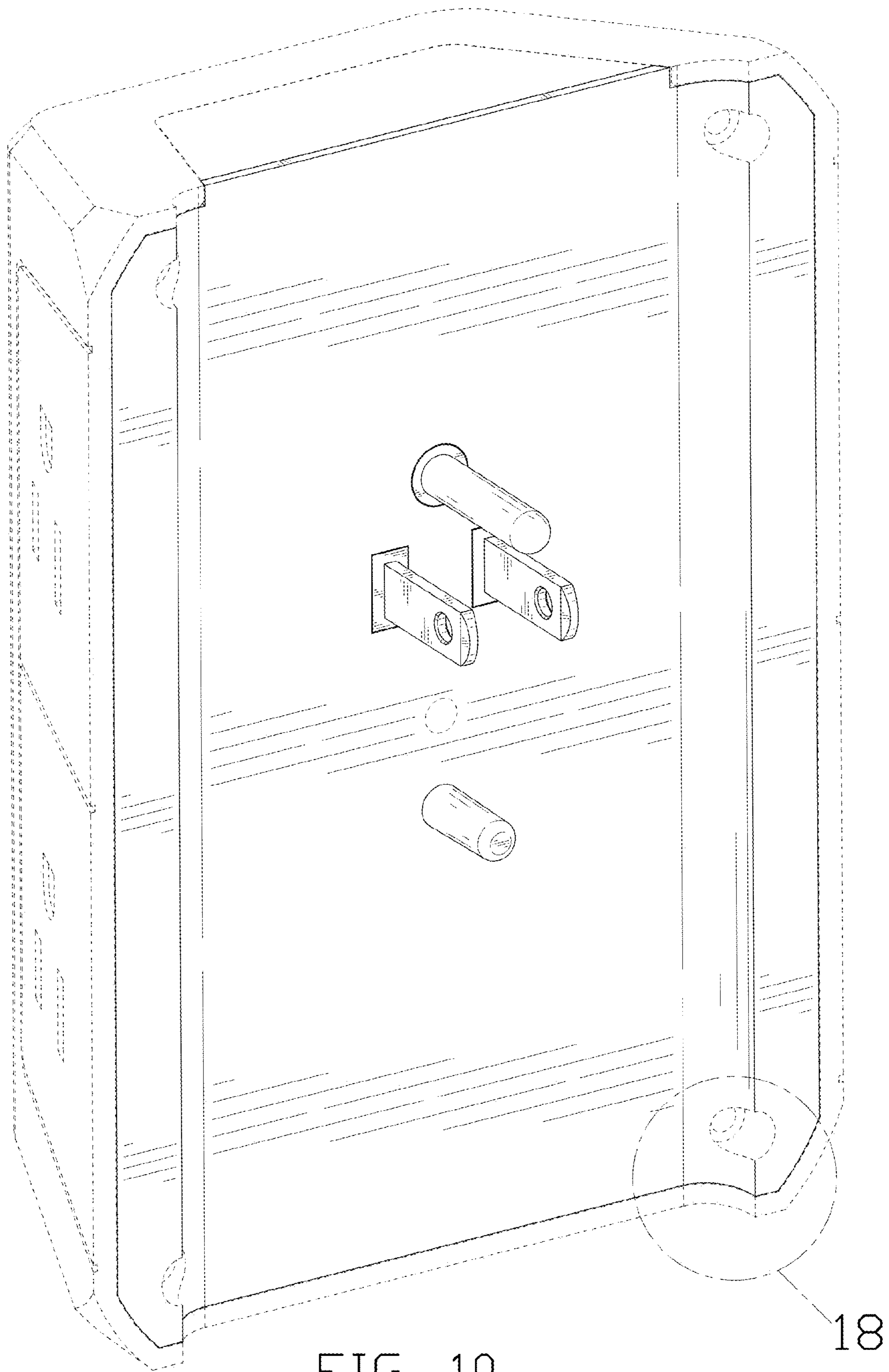


FIG. 10

18

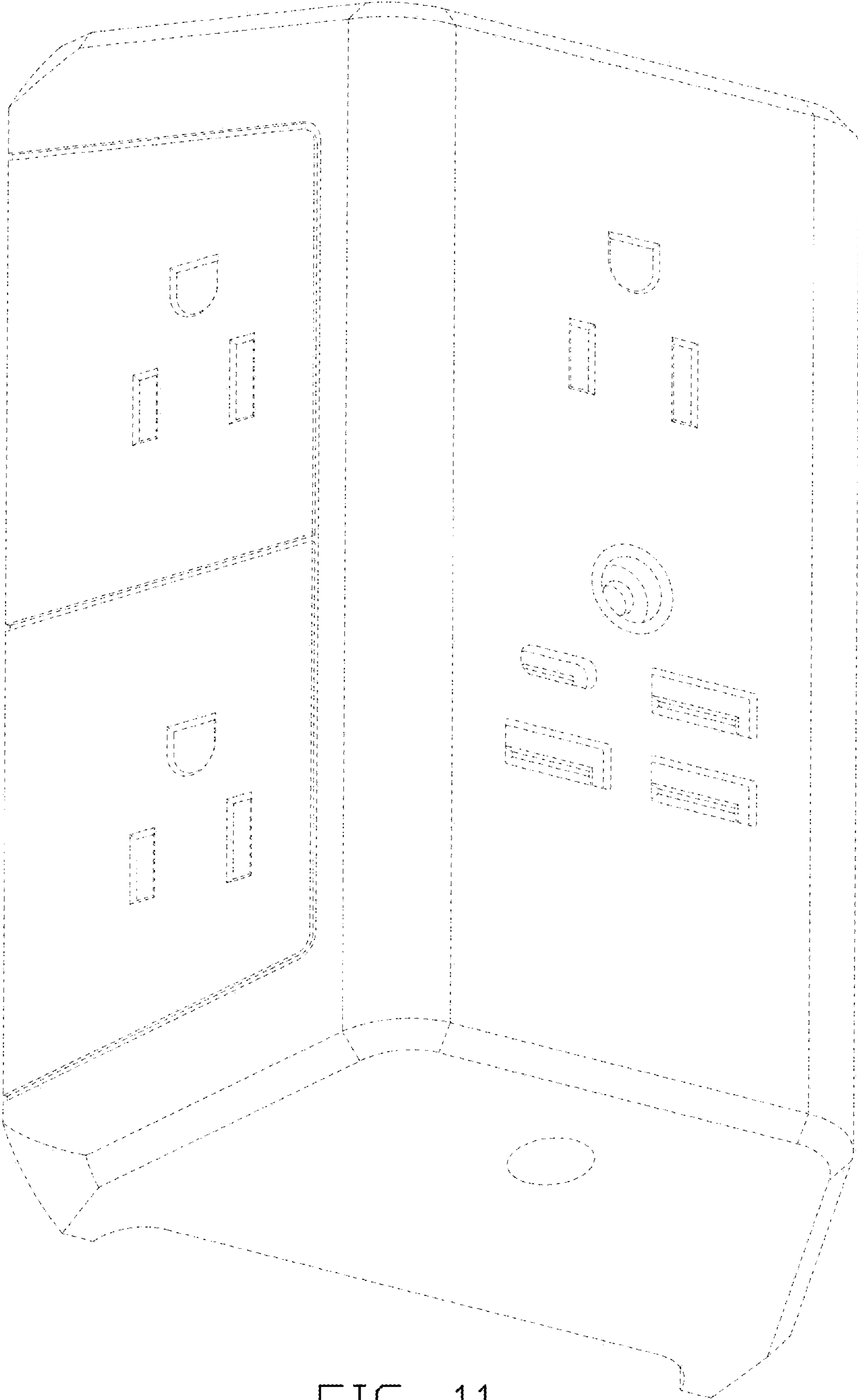


FIG. 11

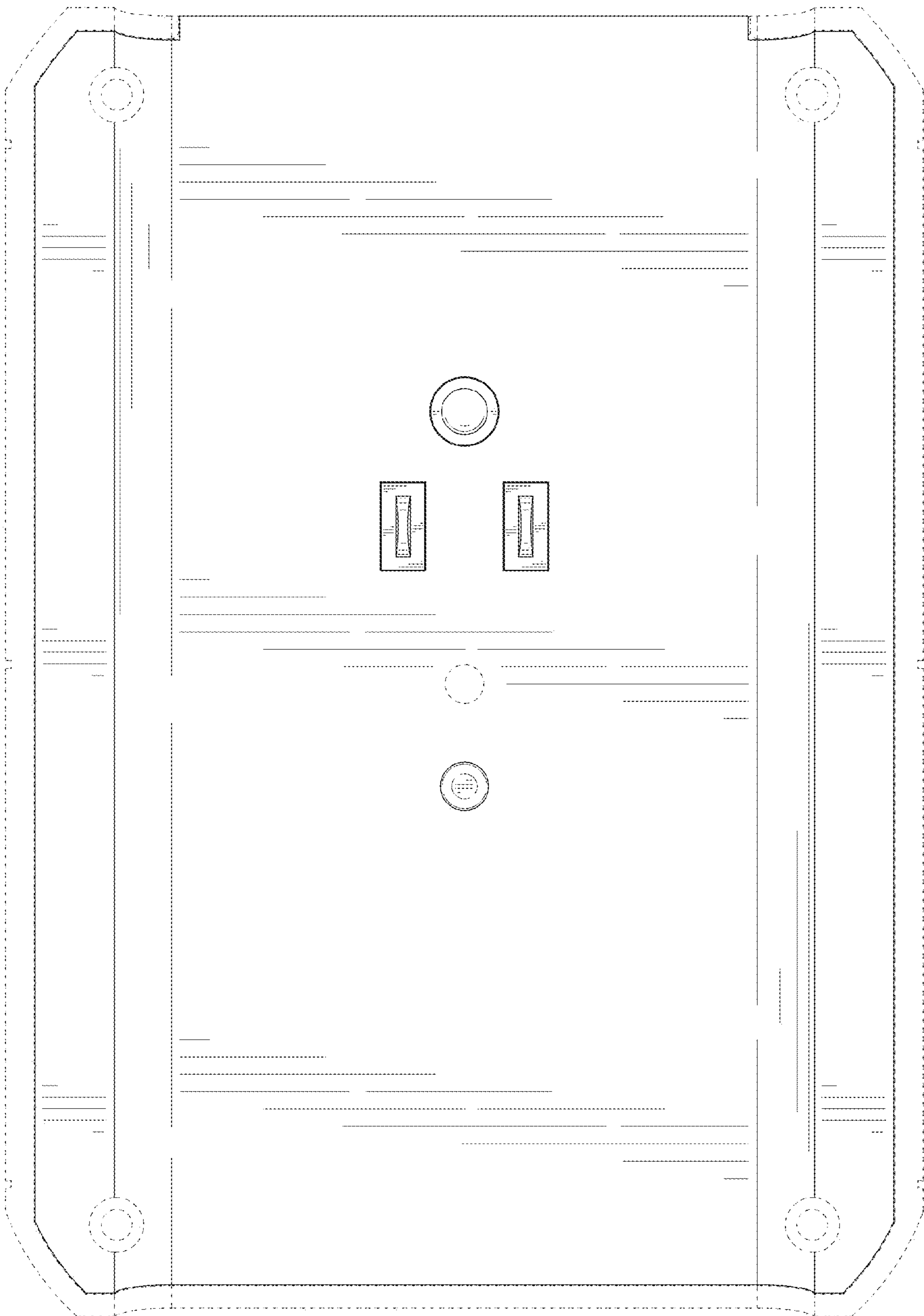


FIG. 12

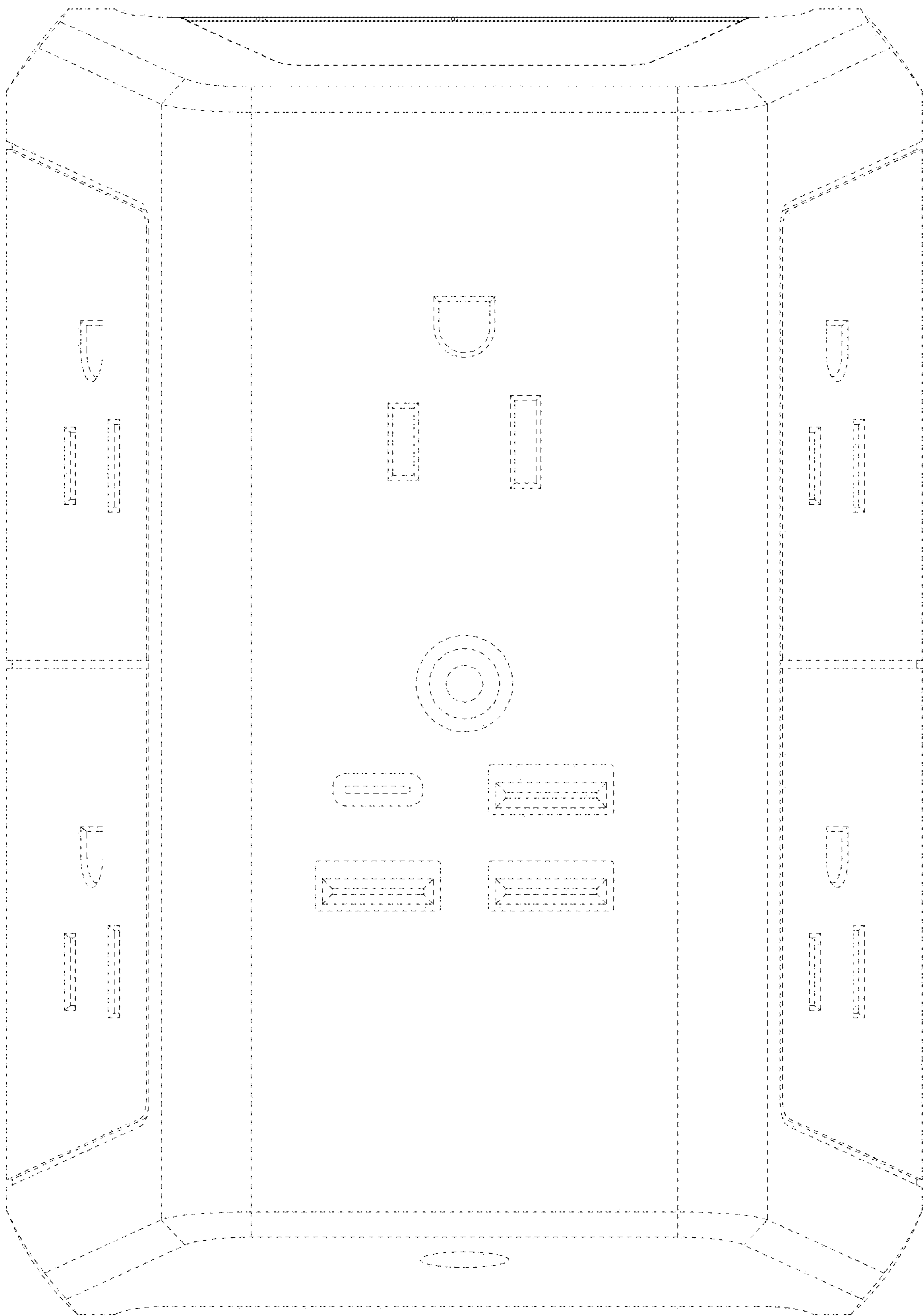


FIG. 13

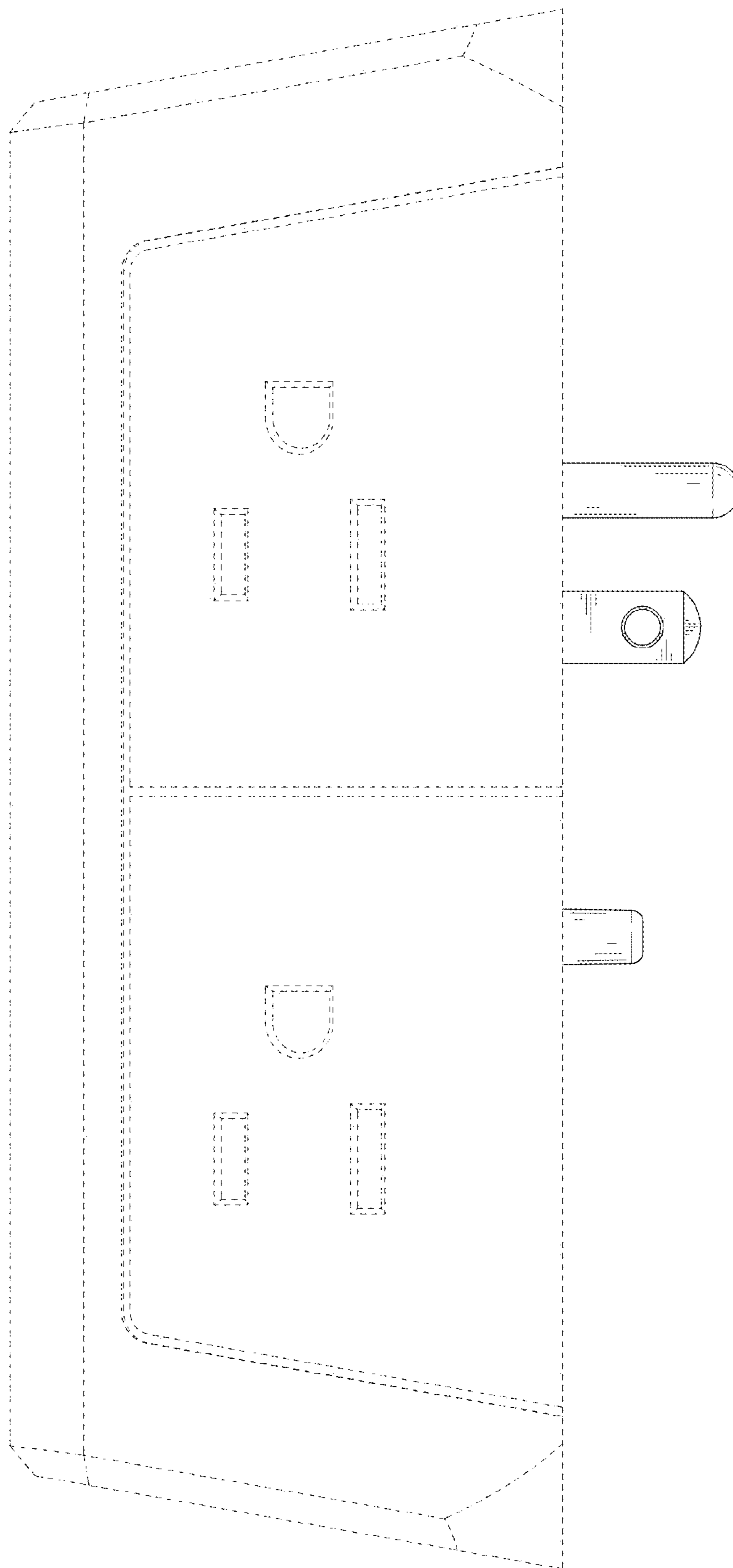


FIG. 14



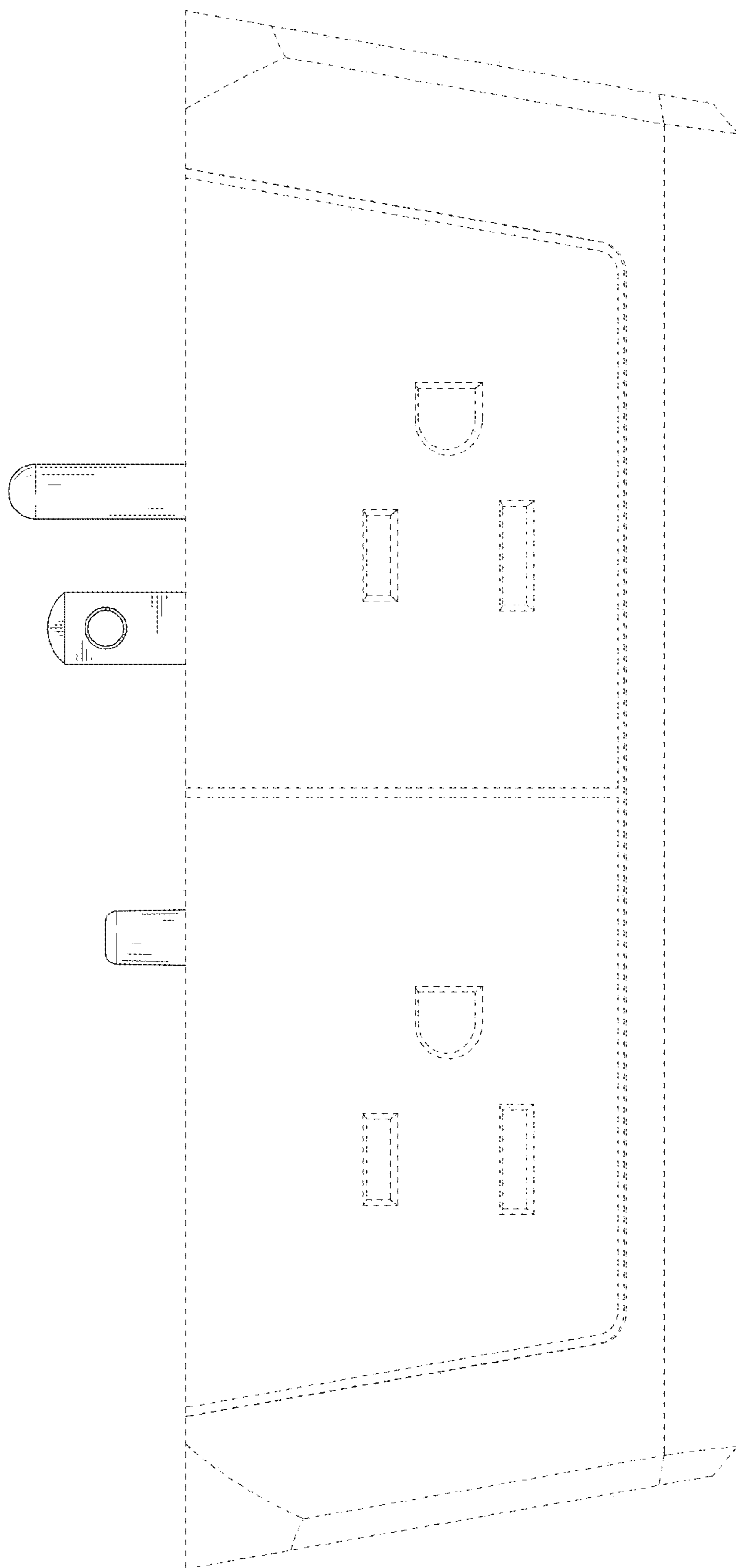


FIG. 15

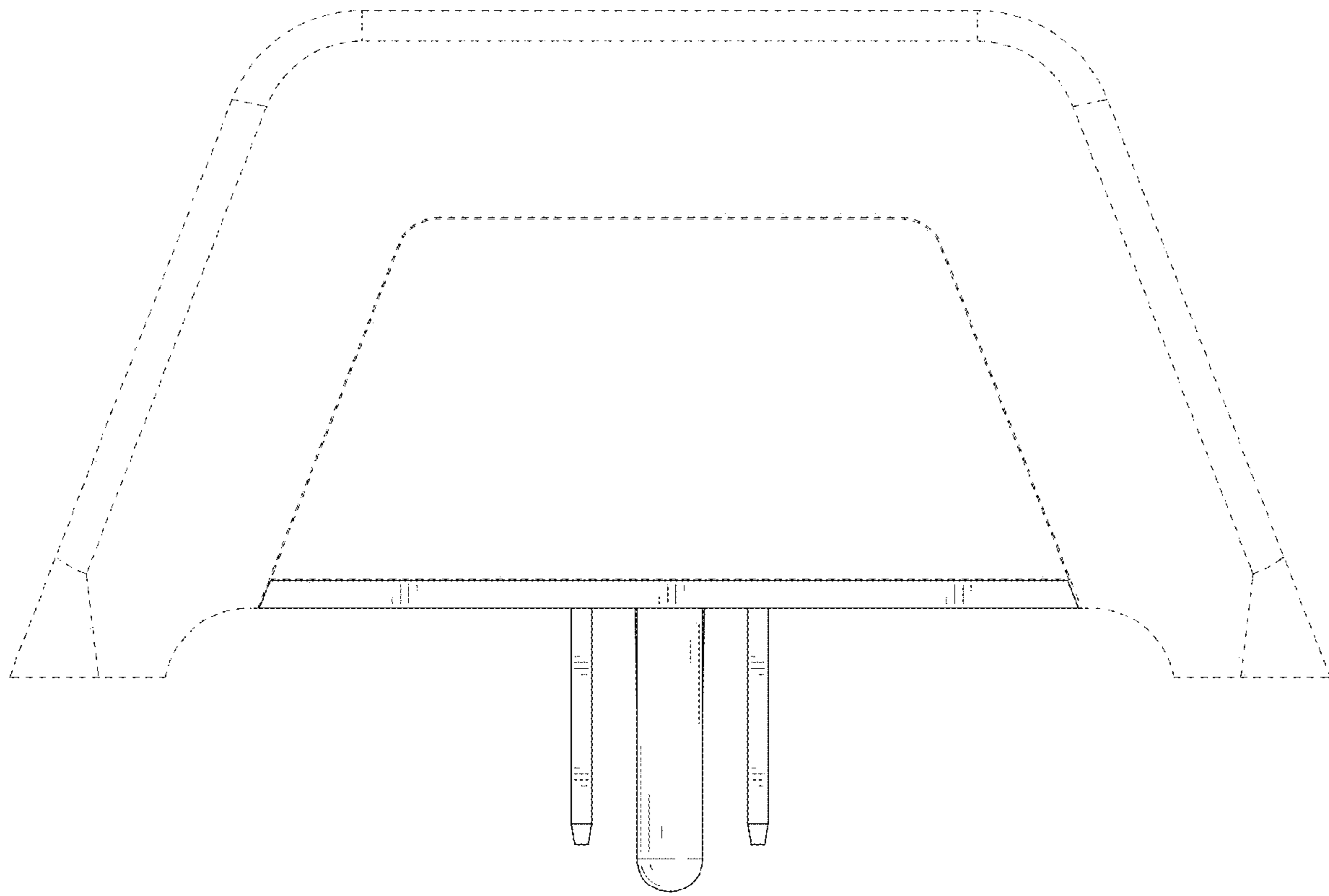


FIG. 16

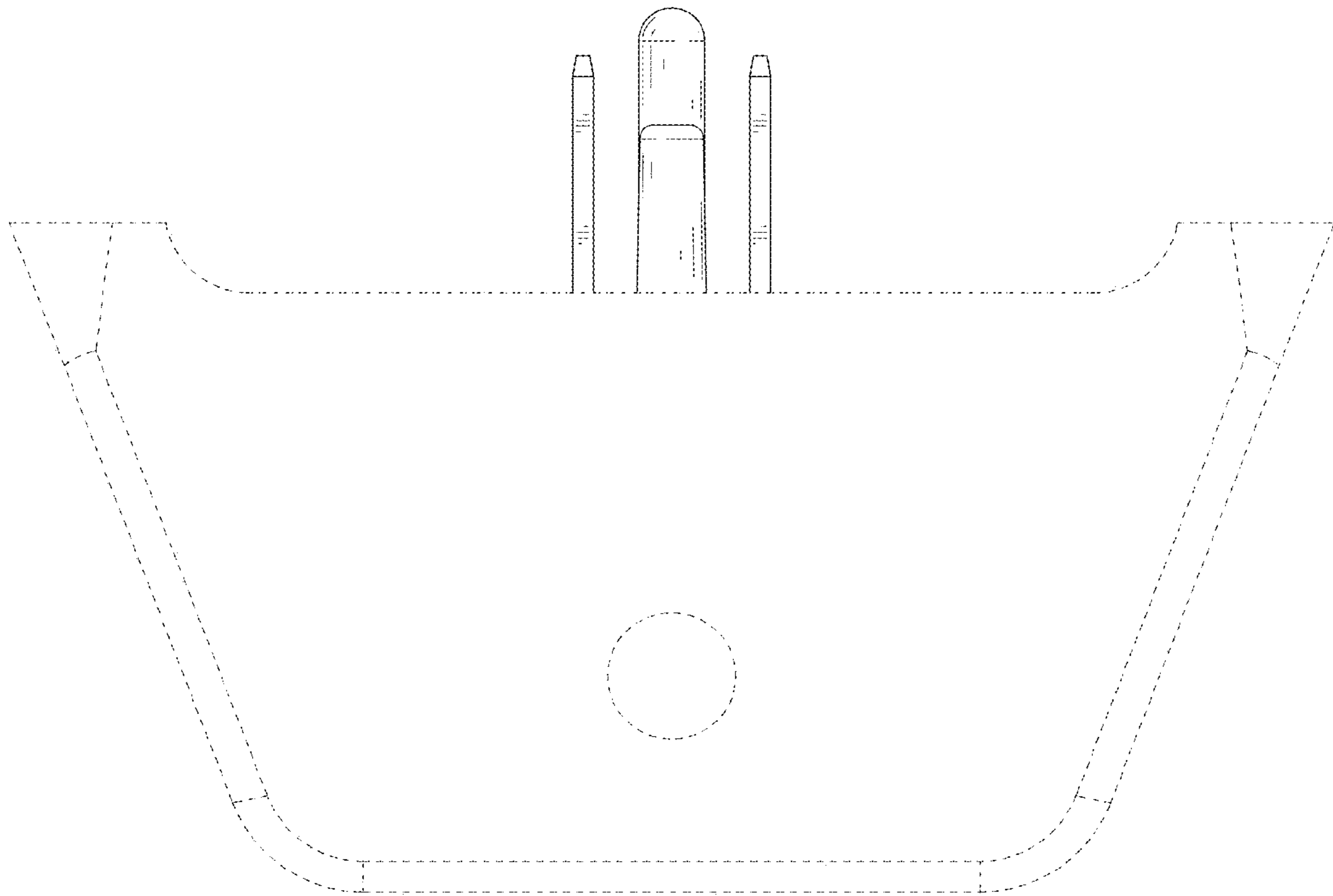


FIG. 17

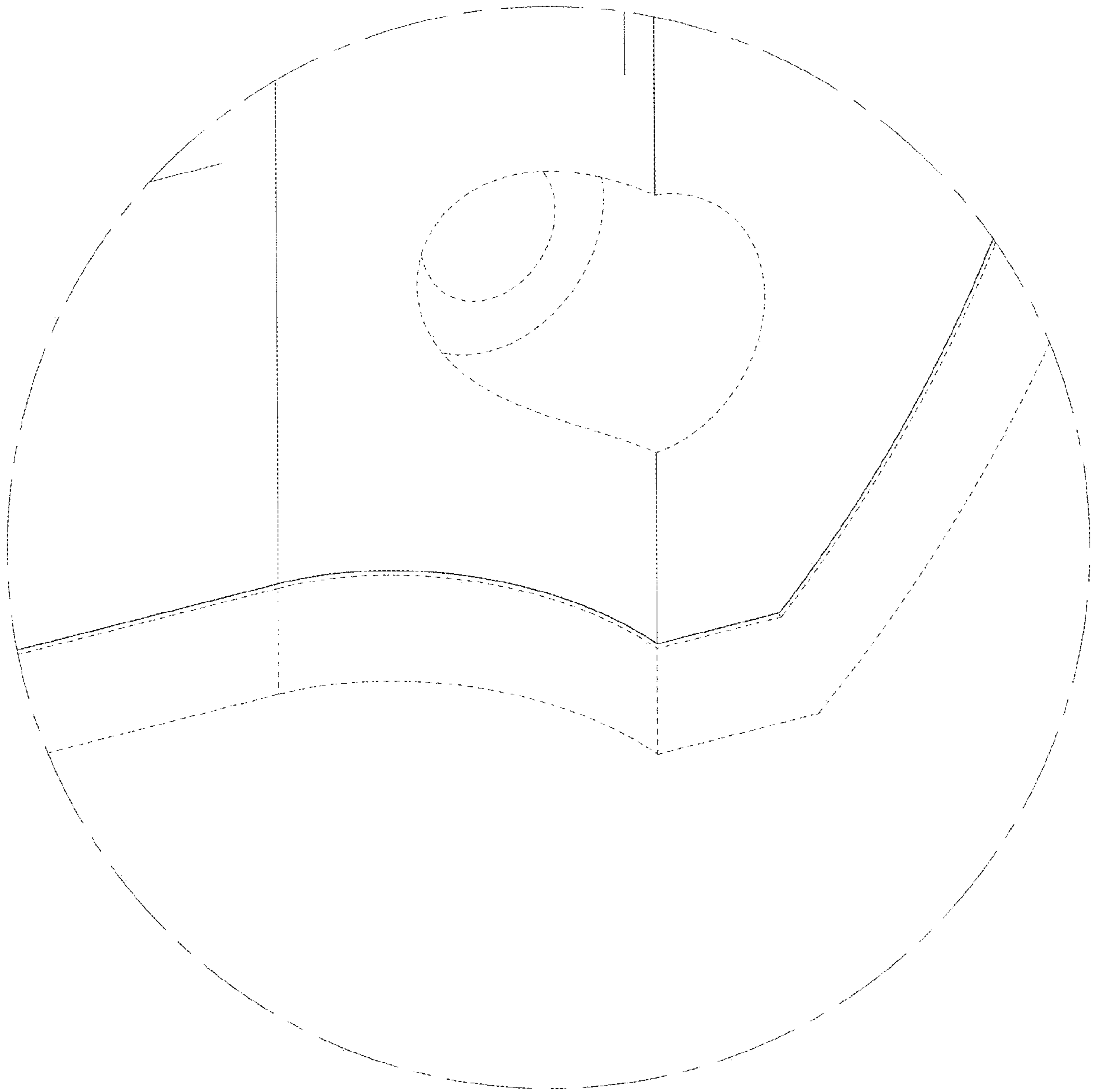


FIG. 18