



US00D961520S

(12) **United States Design Patent** (10) **Patent No.:** **US D961,520 S**  
**Yang et al.** (45) **Date of Patent:** **\*\* Aug. 23, 2022**

(54) **LAMP HOLDER**

(71) Applicant: **BEIJING XIAOMI MOBILE SOFTWARE CO., LTD.**, Beijing (CN)

(72) Inventors: **Panpan Yang**, Beijing (CN); **Ningning Li**, Beijing (CN)

(\*\*) Term: **15 Years**

(21) Appl. No.: **35/511,473**

(22) Filed: **Aug. 21, 2020**

(80) **Hague Agreement Data**

Int. Filing Date: **Aug. 21, 2020**

Int. Reg. No.: **DM/211352**

Int. Reg. Date: **Aug. 21, 2020**

Int. Reg. Pub. Date: **Feb. 26, 2021**

(30) **Foreign Application Priority Data**

Feb. 28, 2020 (CN) ..... 202030064237.2

(51) **LOC (13) Cl.** ..... **13-03**

(52) **U.S. Cl.**  
USPC ..... **D13/134**

(58) **Field of Classification Search**

USPC ..... D13/133, 134, 135, 136, 151, 154, 158,  
D13/180, 184, 199; D26/76, 78, 79, 80,  
D26/81, 82, 83, 85, 86, 88, 90, 113, 118,  
D26/119, 120, 121, 122, 138, 139, 140,  
D26/141, 142

CPC ..... F21S 2/00; F21S 4/00; F21S 4/003; F21S  
4/005; F21S 4/006; F21S 4/007; F21S  
4/008; F21S 6/00; F21S 8/00; F21S  
8/024; F21S 8/026; F21S 8/031; F21S  
8/033; F21S 8/035-037; F21S 8/04; F21S  
8/043; F21S 8/063

See application file for complete search history.

(56) **References Cited**

U.S. PATENT DOCUMENTS

D313,867	S	*	1/1991	Fremont	.....	D26/63
D326,928	S	*	6/1992	Wereley	.....	D26/140
D382,357	S	*	8/1997	Henrici	.....	D26/28
D656,268	S	*	3/2012	Hollett	.....	D26/142
D661,834	S	*	6/2012	Lin	.....	D26/138
D712,590	S	*	9/2014	Lin	.....	D26/138
D728,480	S	*	5/2015	Chang	.....	D13/134
D849,298	S	*	5/2019	Deng	.....	D26/65
D925,815	S	*	7/2021	Hsu	.....	D26/138
2012/0218407	A1	*	8/2012	Chien	.....	F21S 8/035 348/E5.026
2013/0178084	A1	*	7/2013	Yang	.....	H01R 33/0836 439/236
2017/0023225	A1	*	1/2017	Chen	.....	H01R 13/2464
2020/0332986	A1	*	10/2020	Xia	.....	F21V 17/005

\* cited by examiner

*Primary Examiner* — Darlington Ly

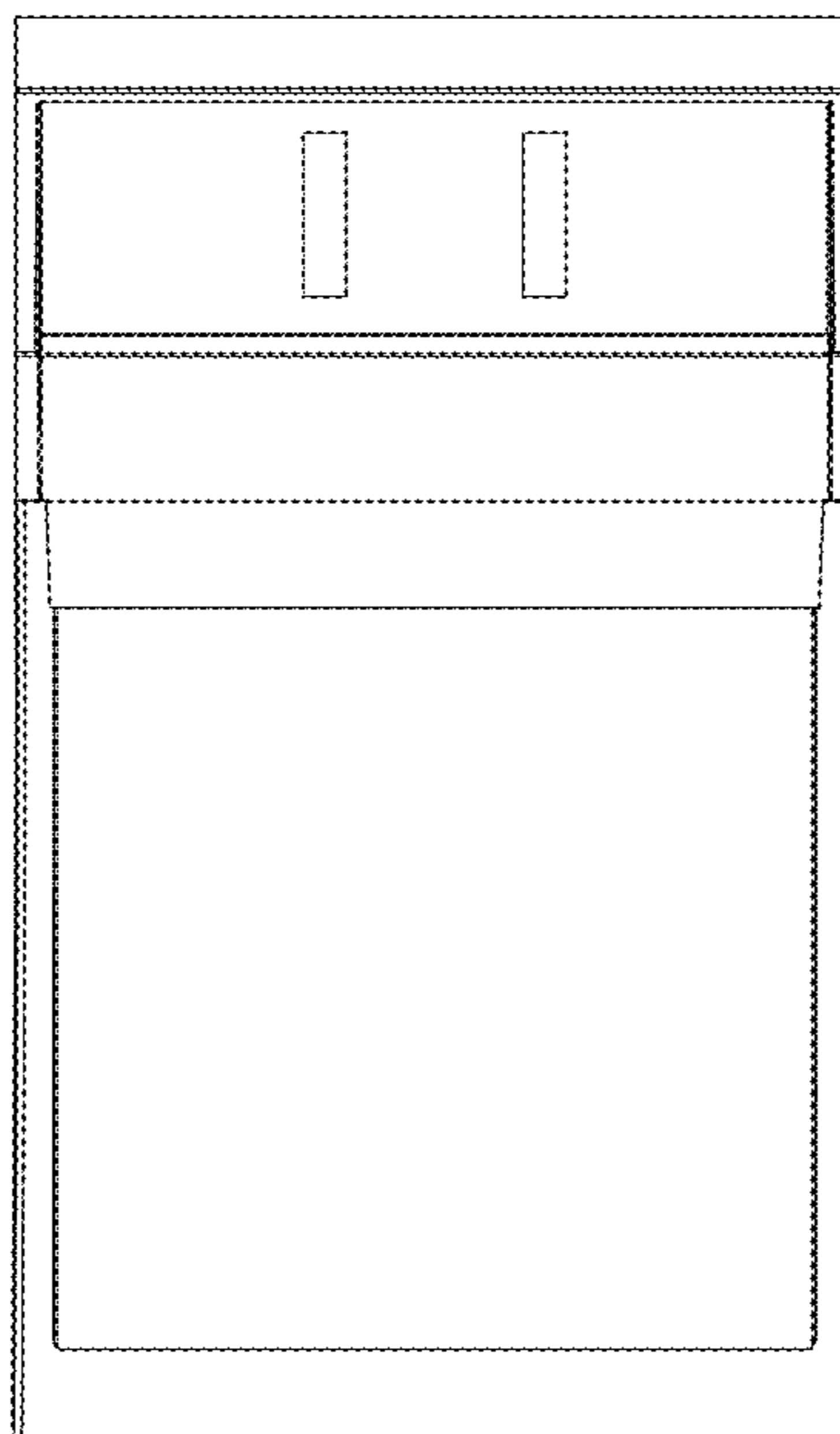
(57) **CLAIM**

The ornamental design for a lamp holder, as shown and described.

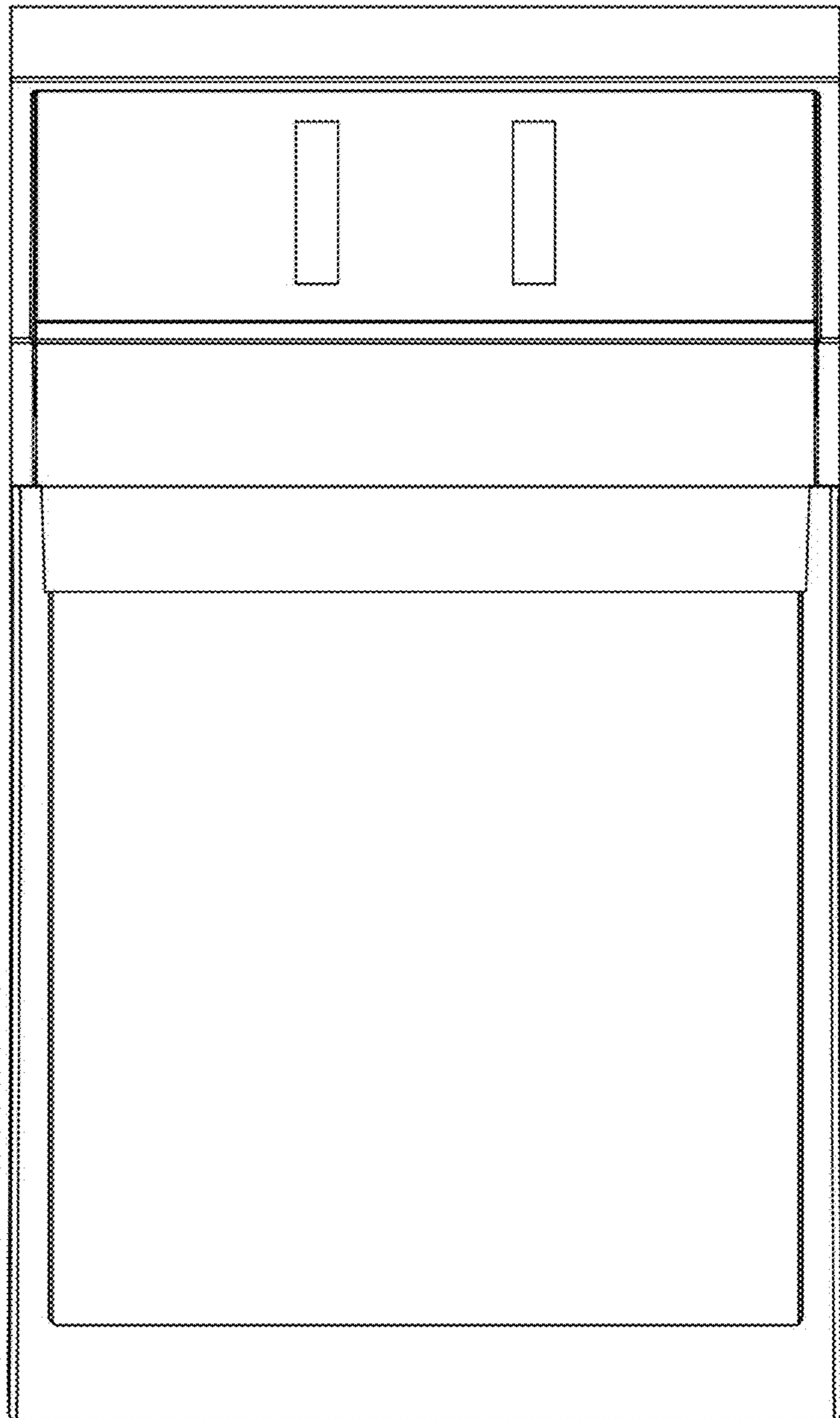
**DESCRIPTION**

1. Lamp holder
- 1.1** is a front elevation view view of a lamp holder embodying our new design;
- 1.2** is a rear elevation view thereof;
- 1.3** is a left side elevation view thereof;
- 1.4** is a right side elevation view thereof;
- 1.5** is a top plan view thereof;
- 1.6** is a bottom plan view thereof;
- 1.7** is a rear and left side perspective view thereof; and
- 1.8** is a front and left side perspective view thereof.

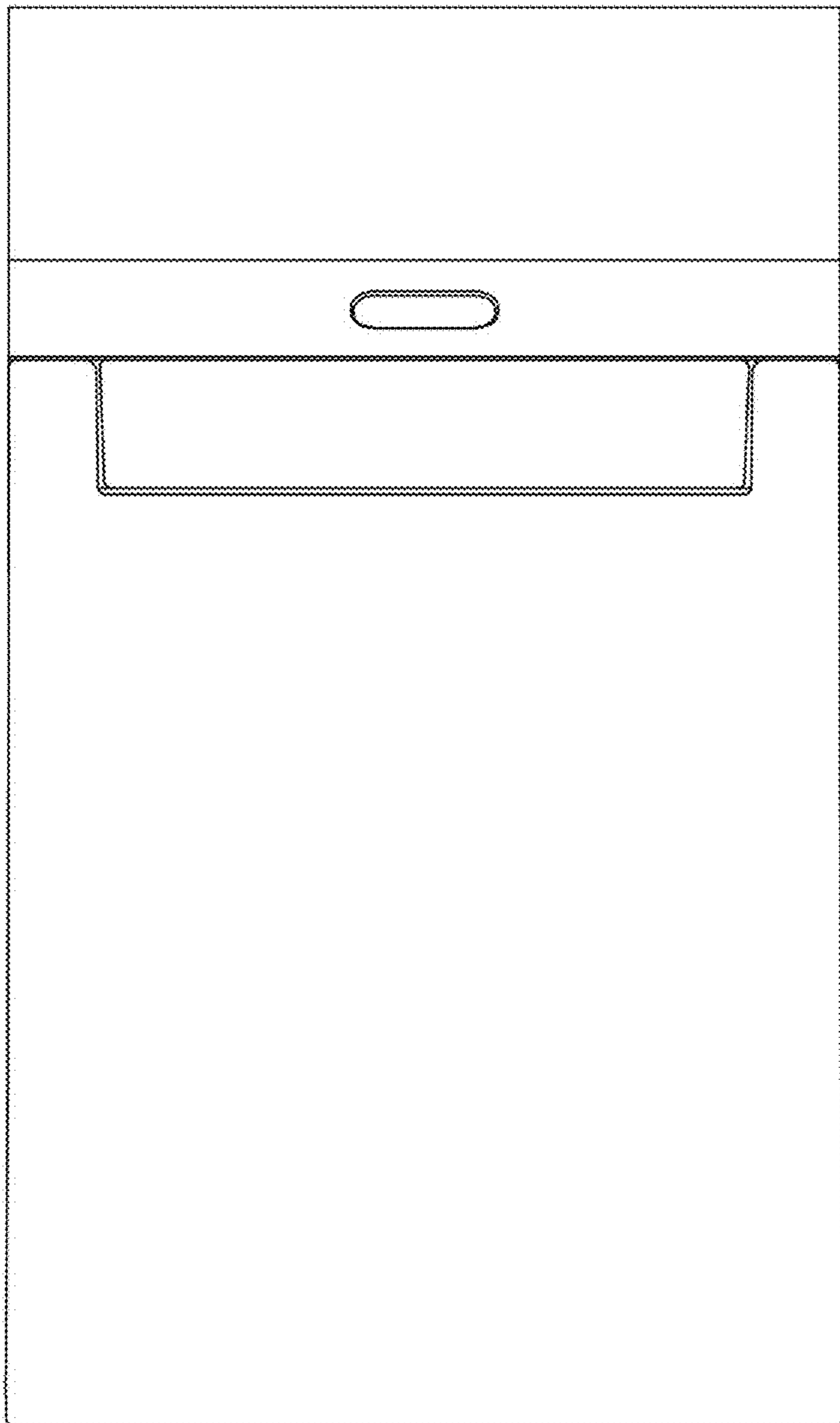
**1 Claim, 8 Drawing Sheets**



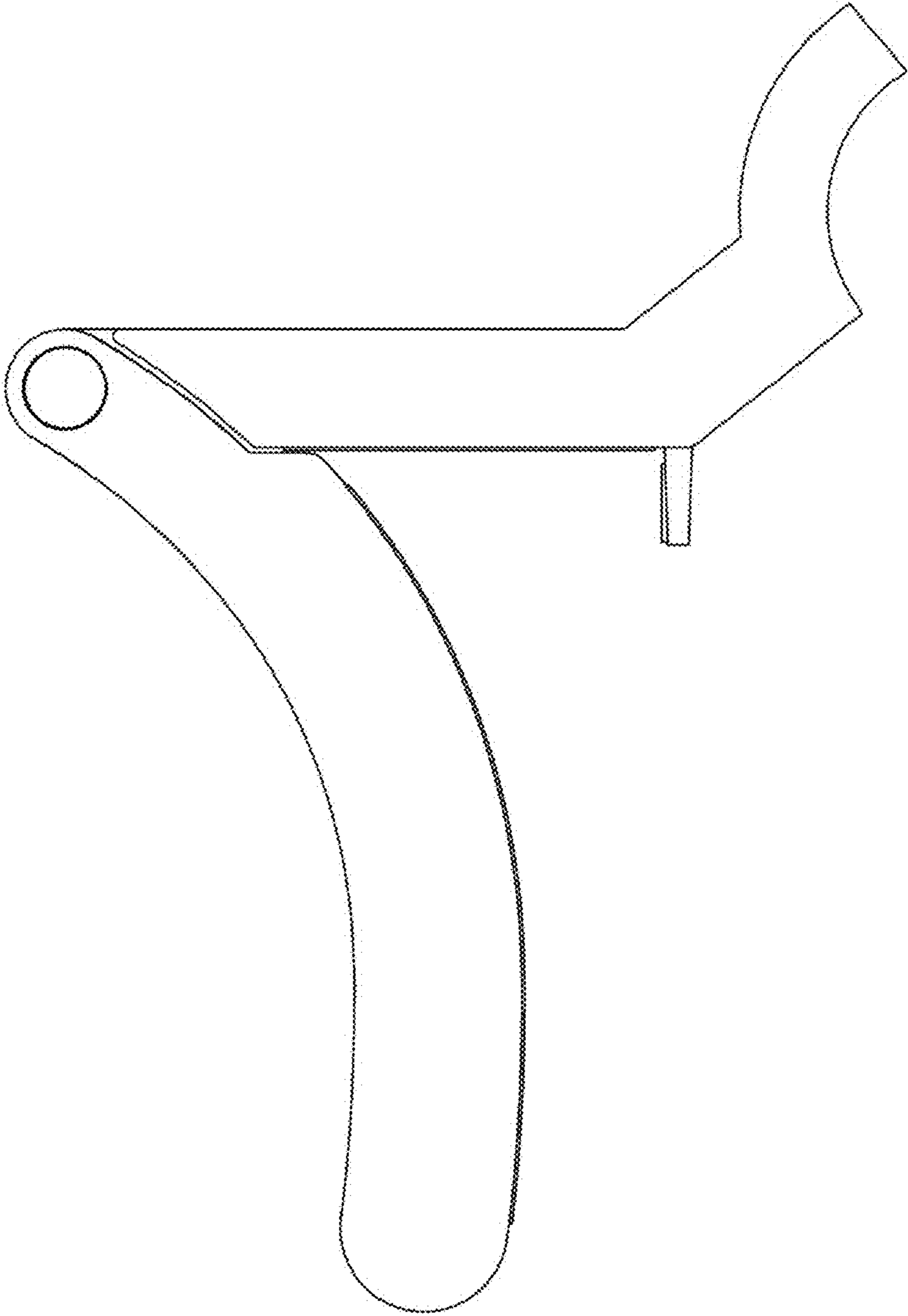
1.1



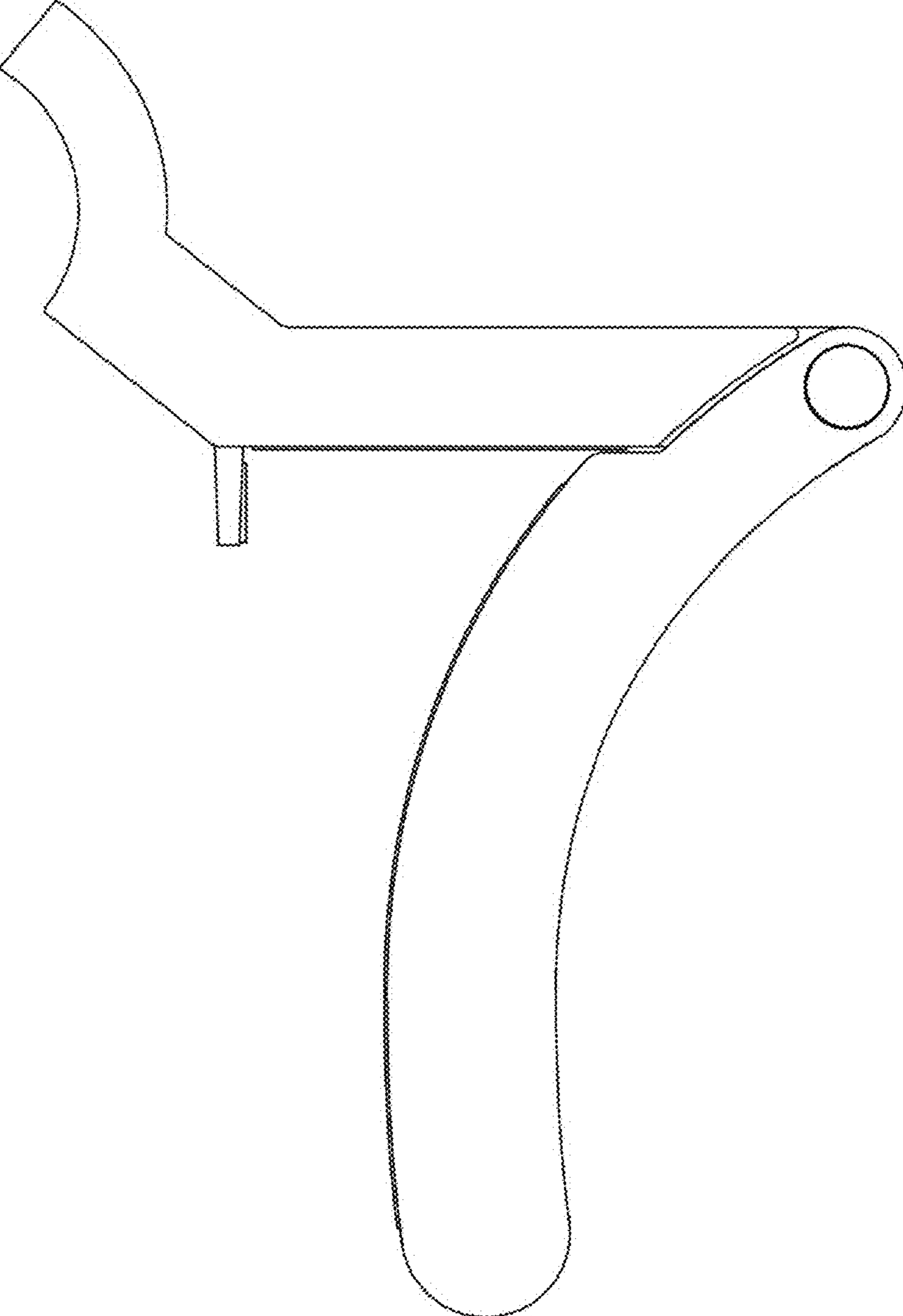
1.2



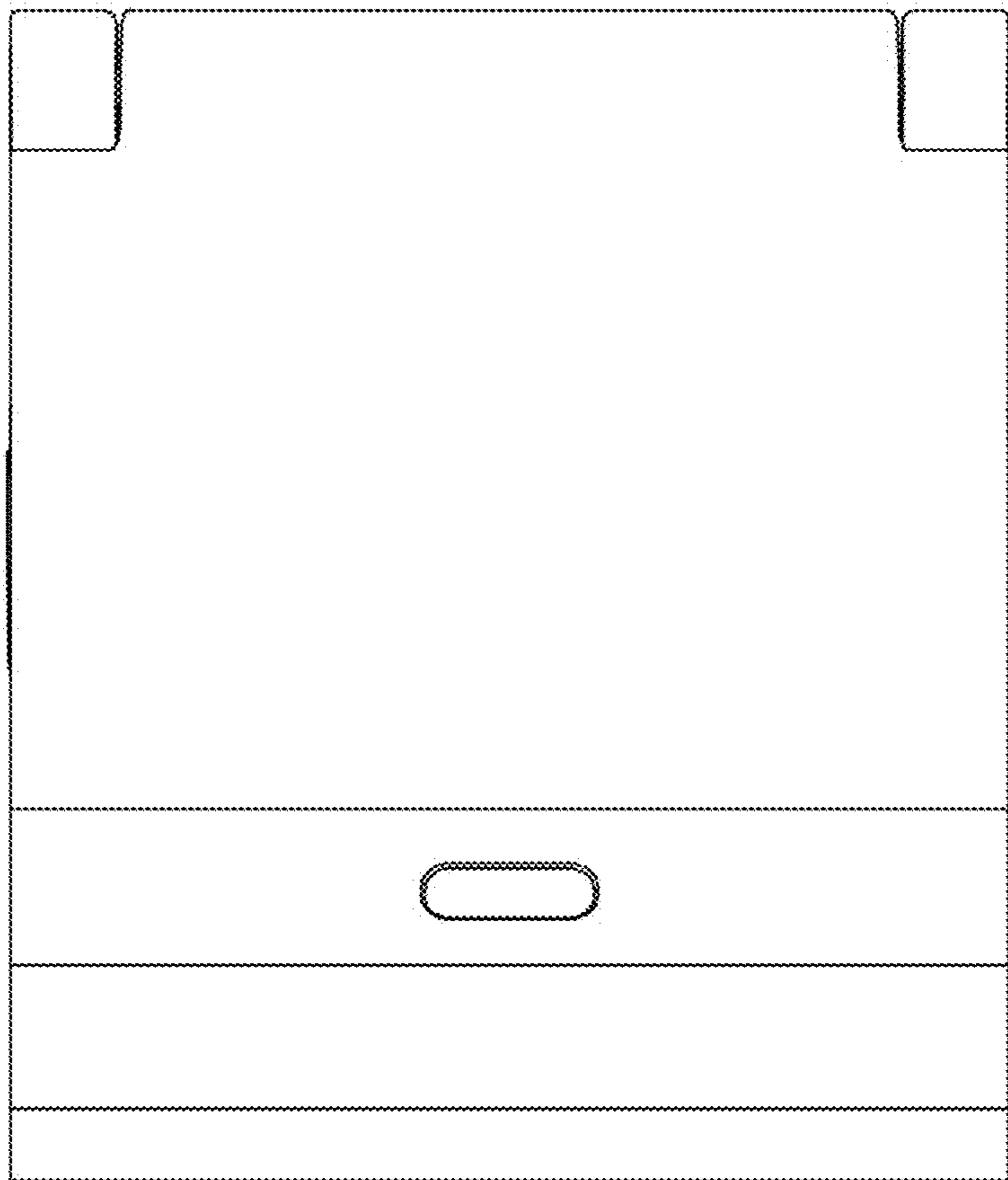
1.3



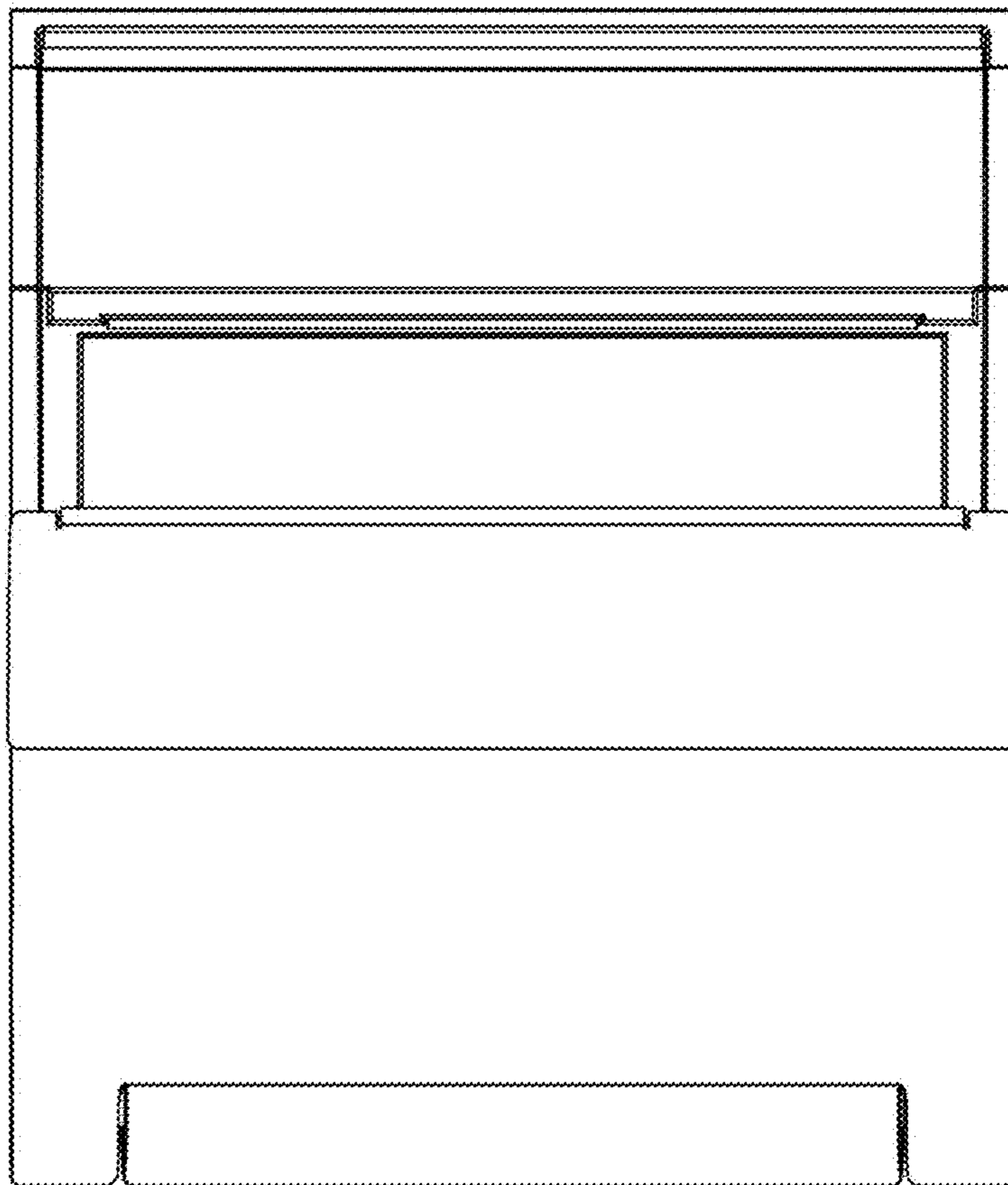
1.4



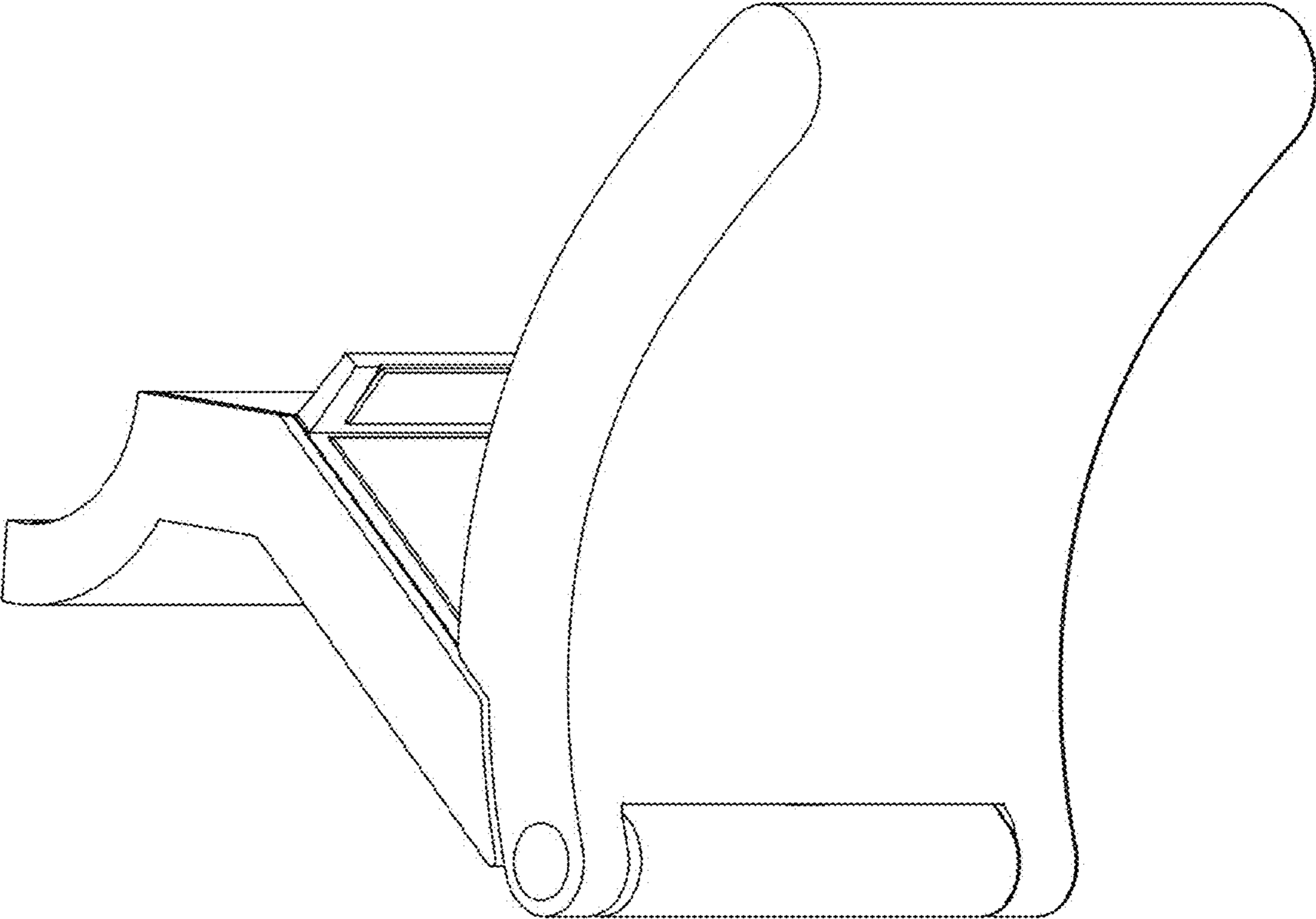
1.5



1.6



1.7





1.8

