

US00D961518S

(12) **United States Design Patent**  
**Zheng**

(10) **Patent No.:** **US D961,518 S**

(45) **Date of Patent:** **\*\* Aug. 23, 2022**

(54) **BATTERY CASE**

(71) Applicant: **Xiuzhi Zheng**, Jiangxi (CN)

(72) Inventor: **Xiuzhi Zheng**, Jiangxi (CN)

(\*\*) Term: **15 Years**

(21) Appl. No.: **29/785,732**

(22) Filed: **May 27, 2021**

(51) **LOC (13) Cl.** ..... **13-02**

(52) **U.S. Cl.**  
USPC ..... **D13/119**

(58) **Field of Classification Search**  
USPC ..... D13/102, 103, 110, 118–121, 184, 199;  
D3/274, 302  
CPC .... H01M 50/10; H01M 50/107; H01M 50/20;  
H01M 50/557; H01M 50/209; H01M  
50/213; H01M 50/502; H01M 50/103;  
H01M 50/204

See application file for complete search history.

(56) **References Cited**

**U.S. PATENT DOCUMENTS**

D777,104 S *	1/2017	Liu	.....	D13/119
D821,968 S *	7/2018	Zhao	.....	D13/103
D825,464 S *	8/2018	Xie	.....	D13/119
D825,465 S *	8/2018	Deng	.....	D13/119
D861,606 S *	10/2019	Yang	.....	D13/119
D875,668 S	2/2020	Jiao		
D881,812 S *	4/2020	Yang	.....	D13/103
D883,196 S *	5/2020	Chen	.....	D13/103
D885,326 S *	5/2020	Zhang	.....	D13/103
D886,045 S *	6/2020	Deng	.....	D13/103
D887,347 S *	6/2020	Wei	.....	D13/103
D890,087 S *	7/2020	Xiao	.....	D13/103

D896,179 S *	9/2020	Yang	.....	D13/103
D906,967 S *	1/2021	Xiao	.....	D13/168
D911,930 S *	3/2021	Xie	.....	D13/103
D912,616 S *	3/2021	He	.....	D13/103
D929,333 S *	8/2021	Benjakachorndech	.....	D13/119
D942,394 S *	2/2022	Wang	.....	D13/119
D942,948 S *	2/2022	Song	.....	D13/119
D949,105 S *	4/2022	Shen	.....	D13/119
2022/0140425 A1 *	5/2022	Lee	.....	H01M 50/186 429/185

**FOREIGN PATENT DOCUMENTS**

CN 306494800 \* 4/2021

\* cited by examiner

*Primary Examiner* — Rosemary K Tarcza

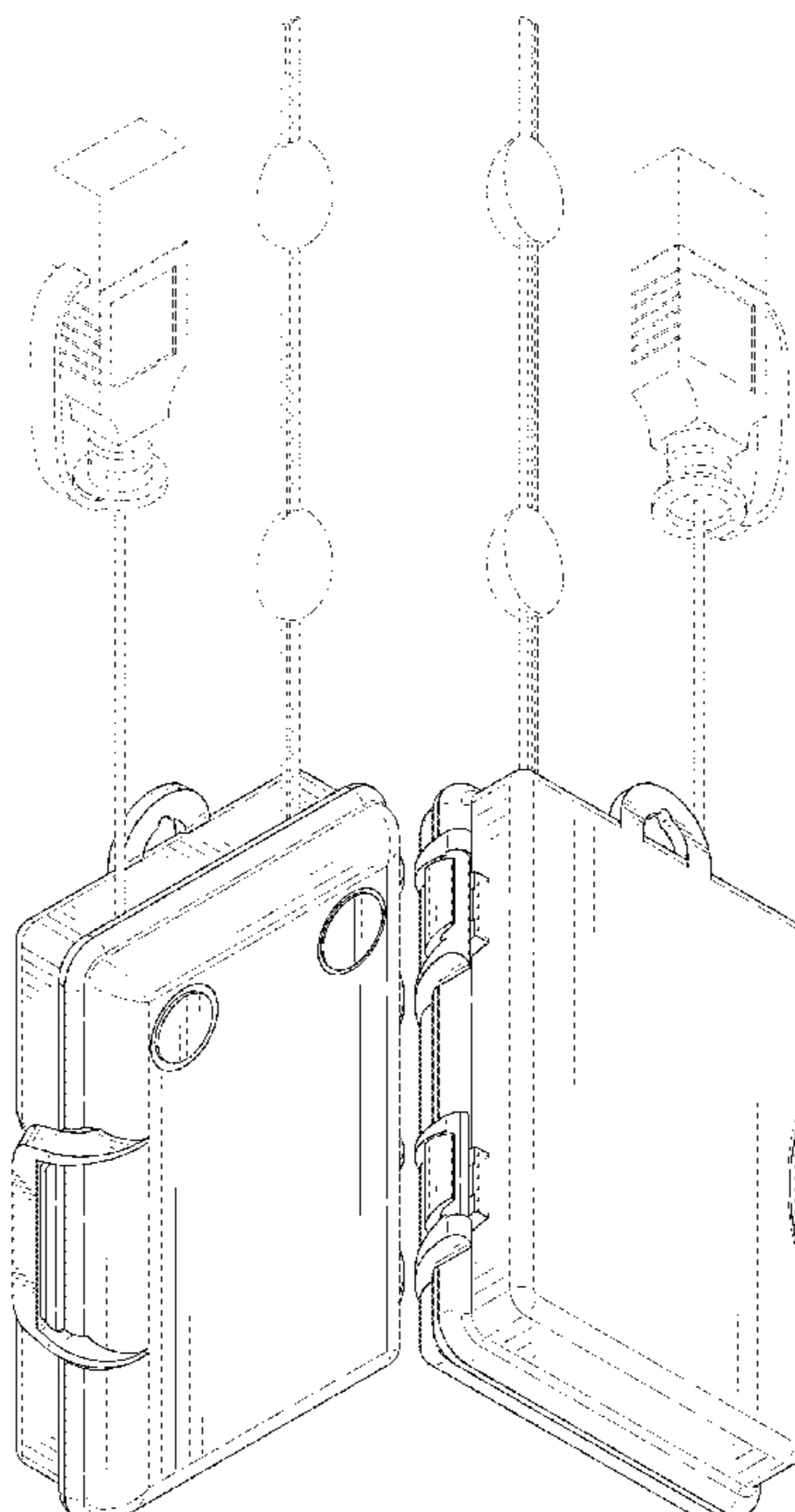
(57) **CLAIM**

The ornamental design for a battery case, as shown and described.

**DESCRIPTION**

FIG. 1 is a front and top perspective view of a battery case, showing my new design;  
FIG. 2 is a rear and bottom perspective view thereof;  
FIG. 3 is a front elevation view thereof;  
FIG. 4 is a rear elevation view thereof;  
FIG. 5 is a left side elevation view thereof;  
FIG. 6 is a right side elevation view thereof;  
FIG. 7 is a top plan view thereof; and,  
FIG. 8 is a bottom plan view thereof.  
The broken lines in the figures illustrate portions of the battery case that form no part of the claimed design.

**1 Claim, 8 Drawing Sheets**



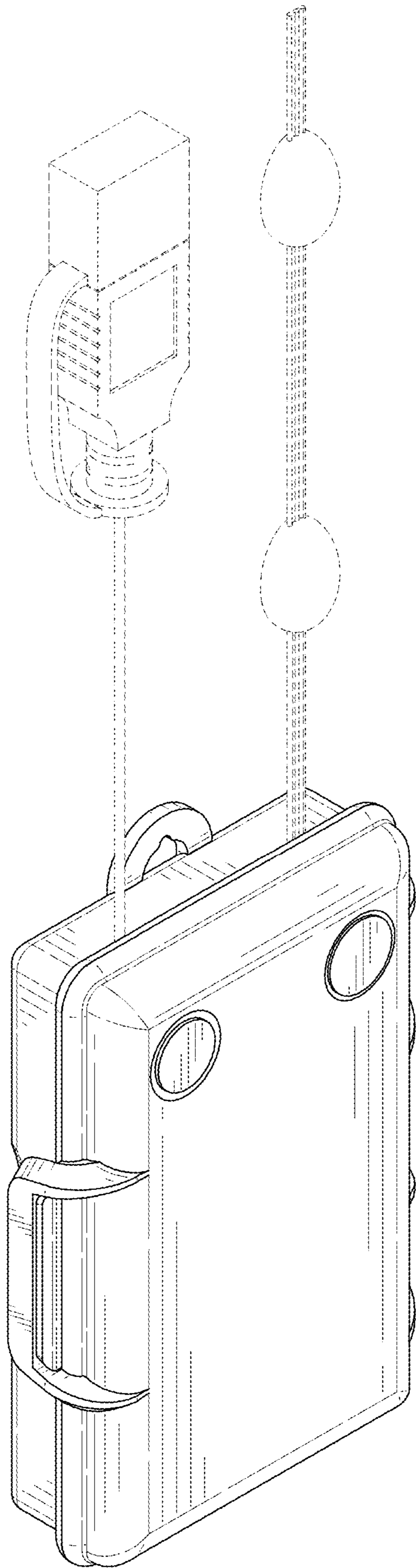


FIG. 1

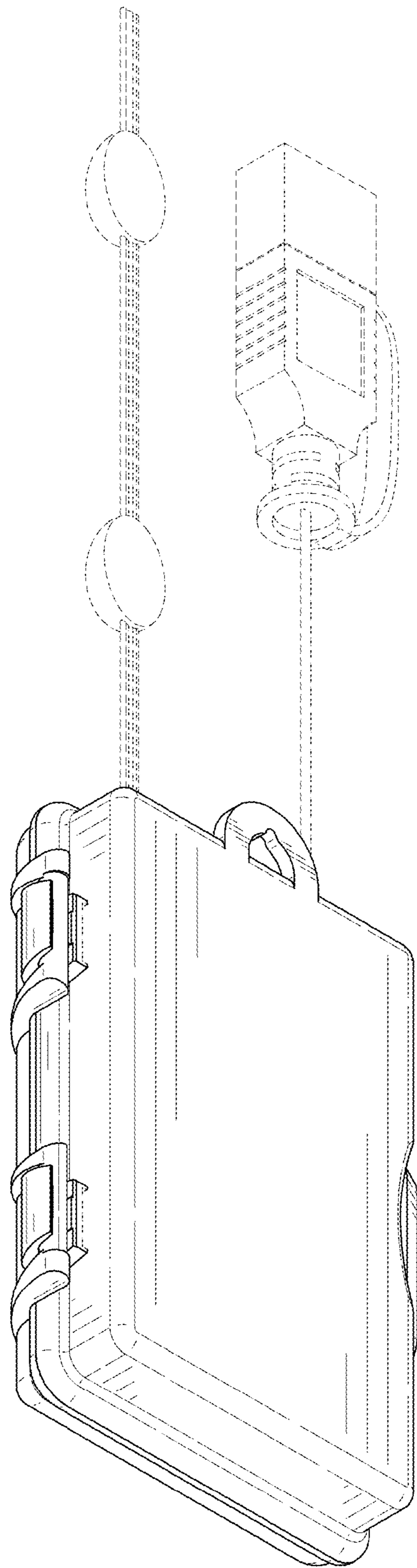


FIG. 2

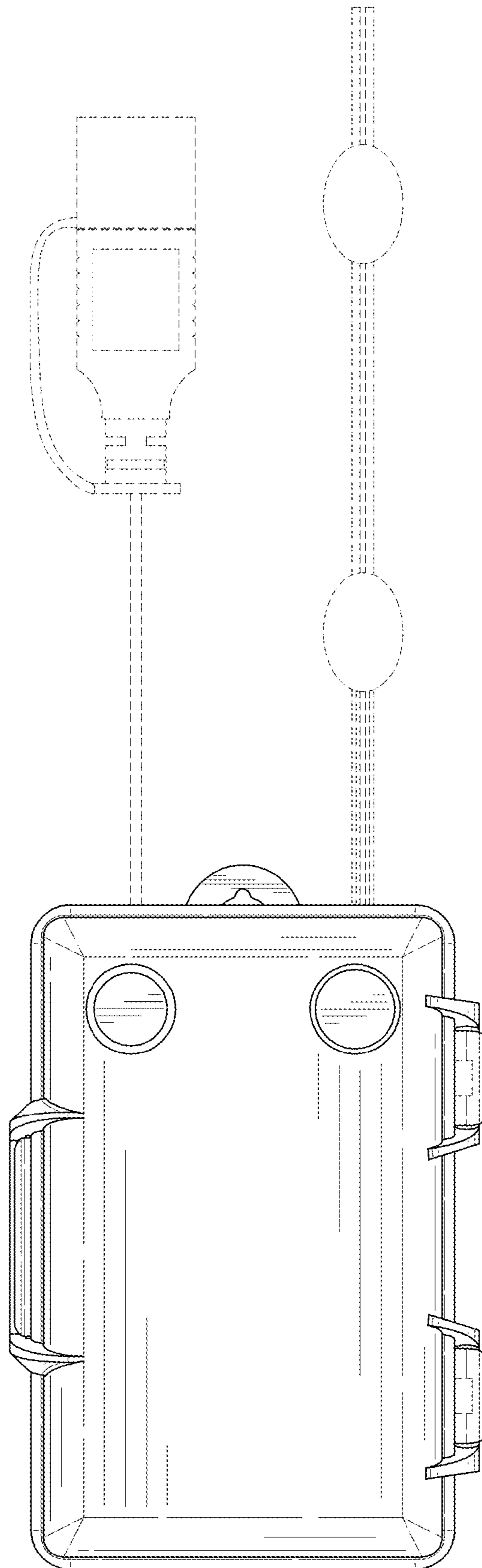


FIG. 3

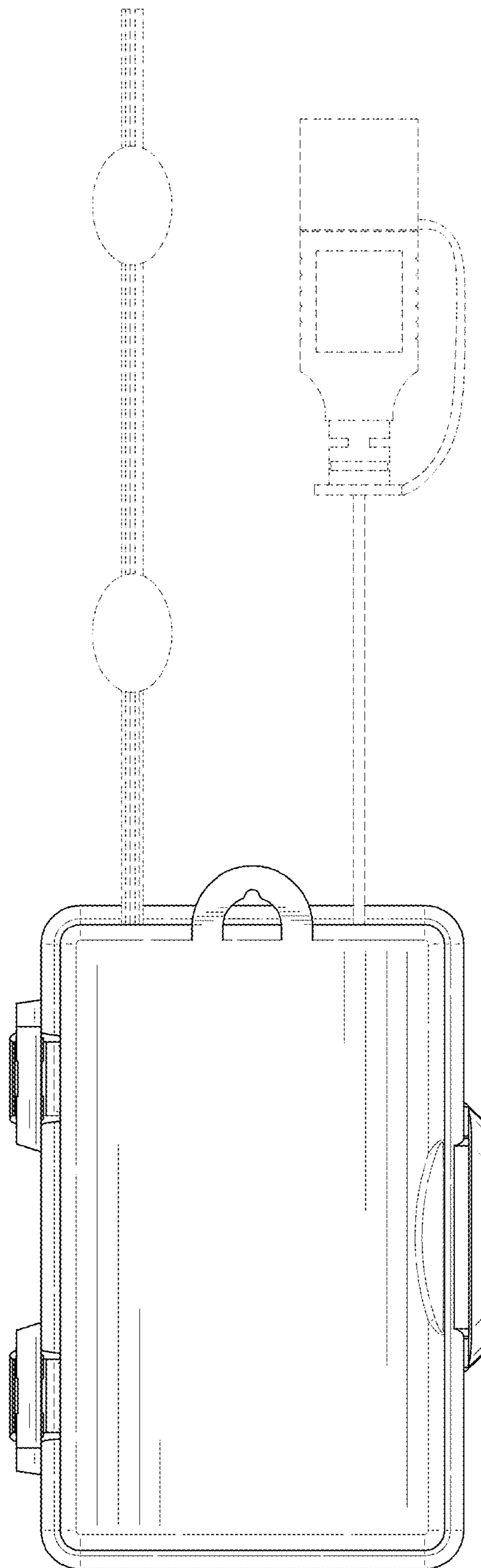


FIG. 4

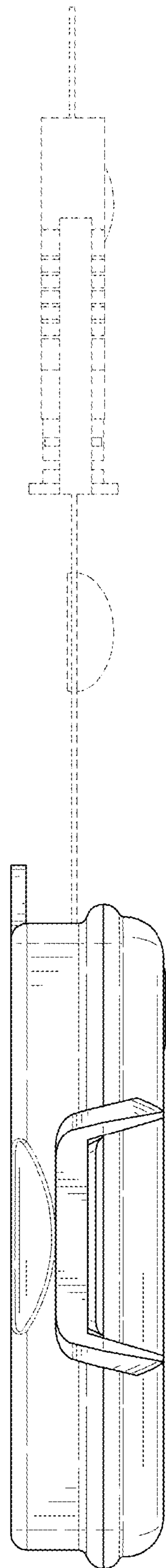


FIG. 5

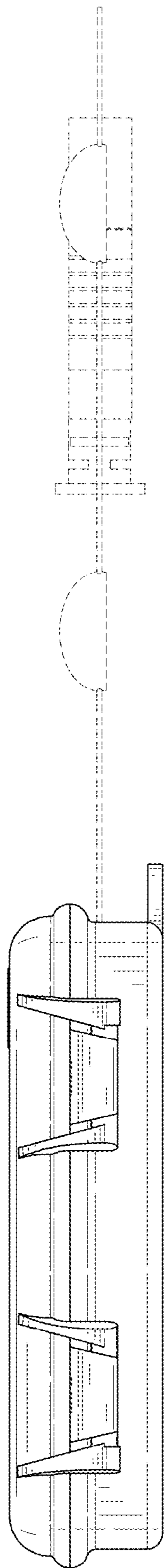


FIG. 6

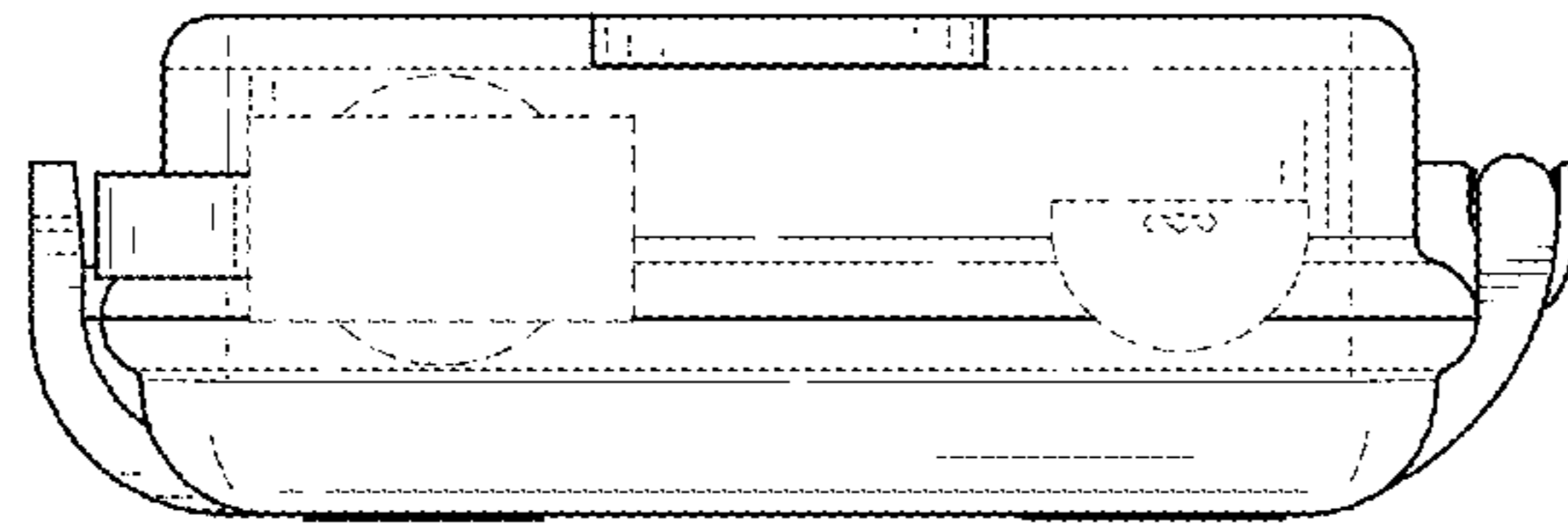


FIG. 7



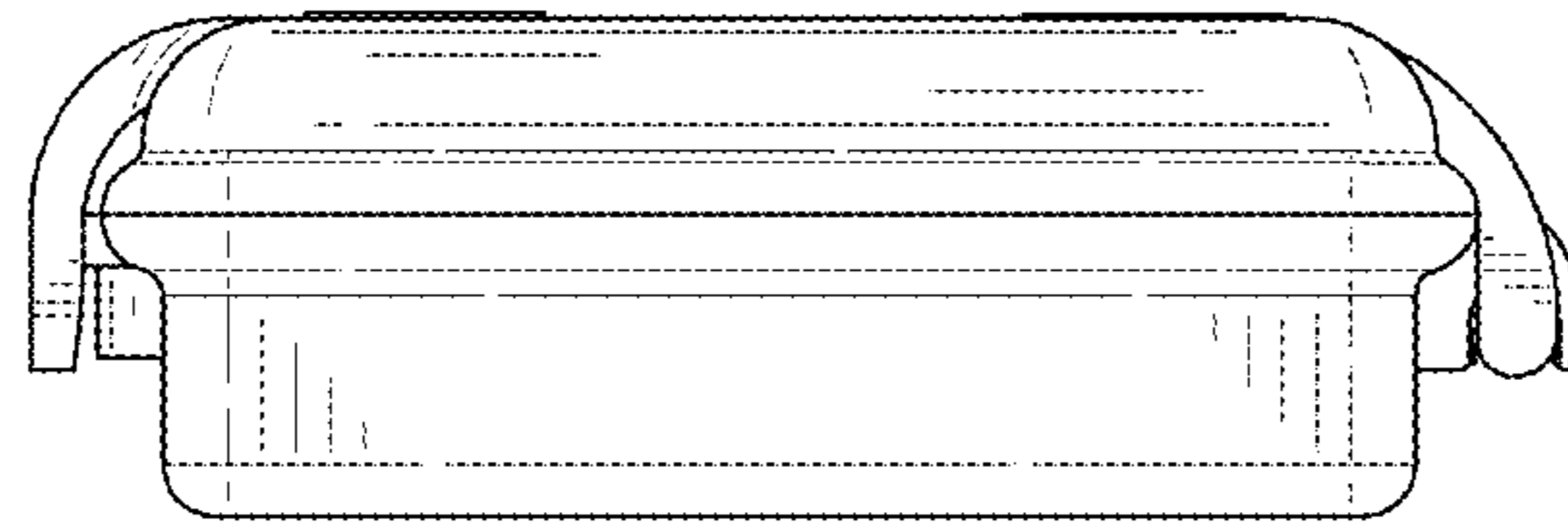


FIG. 8