



US00D961511S

(12) **United States Design Patent**
Chen et al.

(10) **Patent No.:** **US D961,511 S**

(45) **Date of Patent:** **** Aug. 23, 2022**

(54) **UNINTERRUPTIBLE POWER SUPPLY**

5,793,627 A * 8/1998 Caldes H02J 9/00
363/146

(71) Applicant: **SCHNEIDER ELECTRIC IT CORPORATION**, Foxboro, MA (US)

D514,076 S * 1/2006 Albano D13/139.8

D551,165 S * 9/2007 Albano D13/110

D615,037 S * 5/2010 Liu D13/110

D691,554 S * 10/2013 Tanaka D13/110

D694,528 S * 12/2013 Clerici D5/59

D719,912 S * 12/2014 Spencer D13/110

D821,762 S * 7/2018 Carlson D5/99

(72) Inventors: **Chung-Hui Chen**, New Taipei (TW);
Chien-An Lee, New Taipei (TW);
Ming Che Chan, Taoyuan (TW);
Shen-Yuan Chien, New Taipei (TW);
Tannan Whidden Winter, Fitchburg, MA (US)

OTHER PUBLICATIONS

Operation Manual, Smart-UPSTM On-Line SRT, Uninterruptible Power Supply, SRT1000UXI-LI, SRT1000UXI-NCLI, SRT1500UXI-LI, SRT1500UXI-NCLI, 220/230/240 Vac, Tower/Rack-Mount 2U, APCTM by Schneider Electric, 29 pages, Apr. 18, 2018.

(73) Assignee: **SCHNEIDER ELECTRIC IT CORPORATION**, Foxboro, MA (US)

* cited by examiner

(**) Term: **15 Years**

Primary Examiner — Derrick E Holland

(21) Appl. No.: **29/722,394**

(74) *Attorney, Agent, or Firm* — Lando & Anastasi, LLP

(22) Filed: **Jan. 29, 2020**

(51) **LOC (13) Cl.** **13-02**

(52) **U.S. Cl.**
USPC **D13/110**

(57) **CLAIM**

(58) **Field of Classification Search**
USPC D13/110, 103, 107, 108, 118, 119, 123,
D13/133, 137.1, 184, 199; D14/240, 251,
D14/356, 432, 433, 434

The ornamental design for an uninterruptible power supply, as shown and described.

CPC G06F 1/181; G06F 1/188; G06F 1/189;
H02M 7/00; H02M 7/02; H02M 7/003;
H02K 5/00; H02K 5/0017; H02K 7/00

DESCRIPTION

See application file for complete search history.

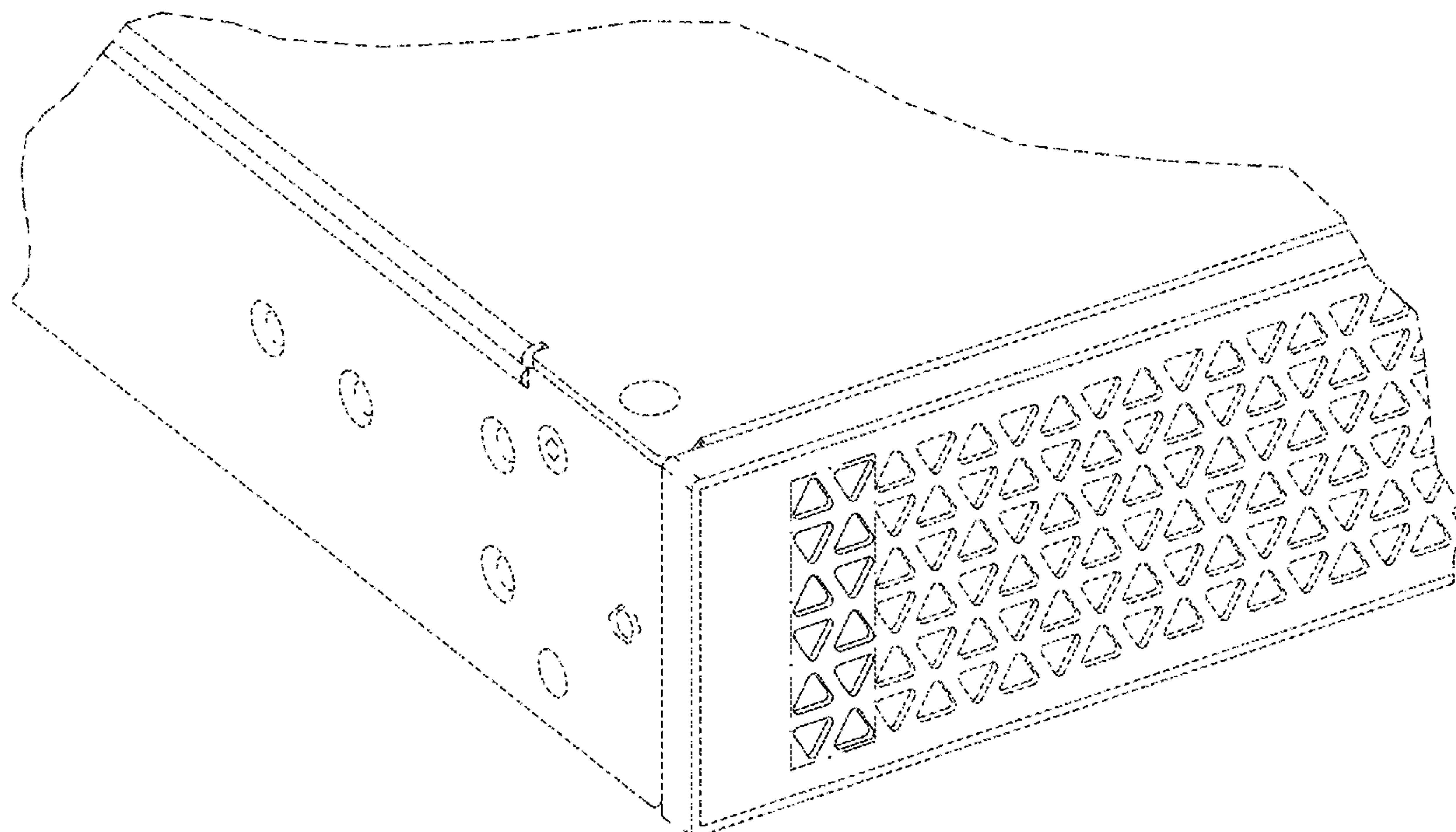
FIG. 1 is a partial front and left perspective view of an uninterruptible power supply showing the new design; and, FIG. 2 is a front elevational view of that shown in FIG. 1. The broken lines shown represent the portions of the uninterruptible power supply that form no part of the claimed design. The dot-dash broken lines define the bounds of the claimed design and form no part thereof.

(56) **References Cited**

U.S. PATENT DOCUMENTS

D90,603 S * 8/1933 Eisenbarth D5/4
D120,961 S * 6/1940 Hoenig D5/63

1 Claim, 2 Drawing Sheets



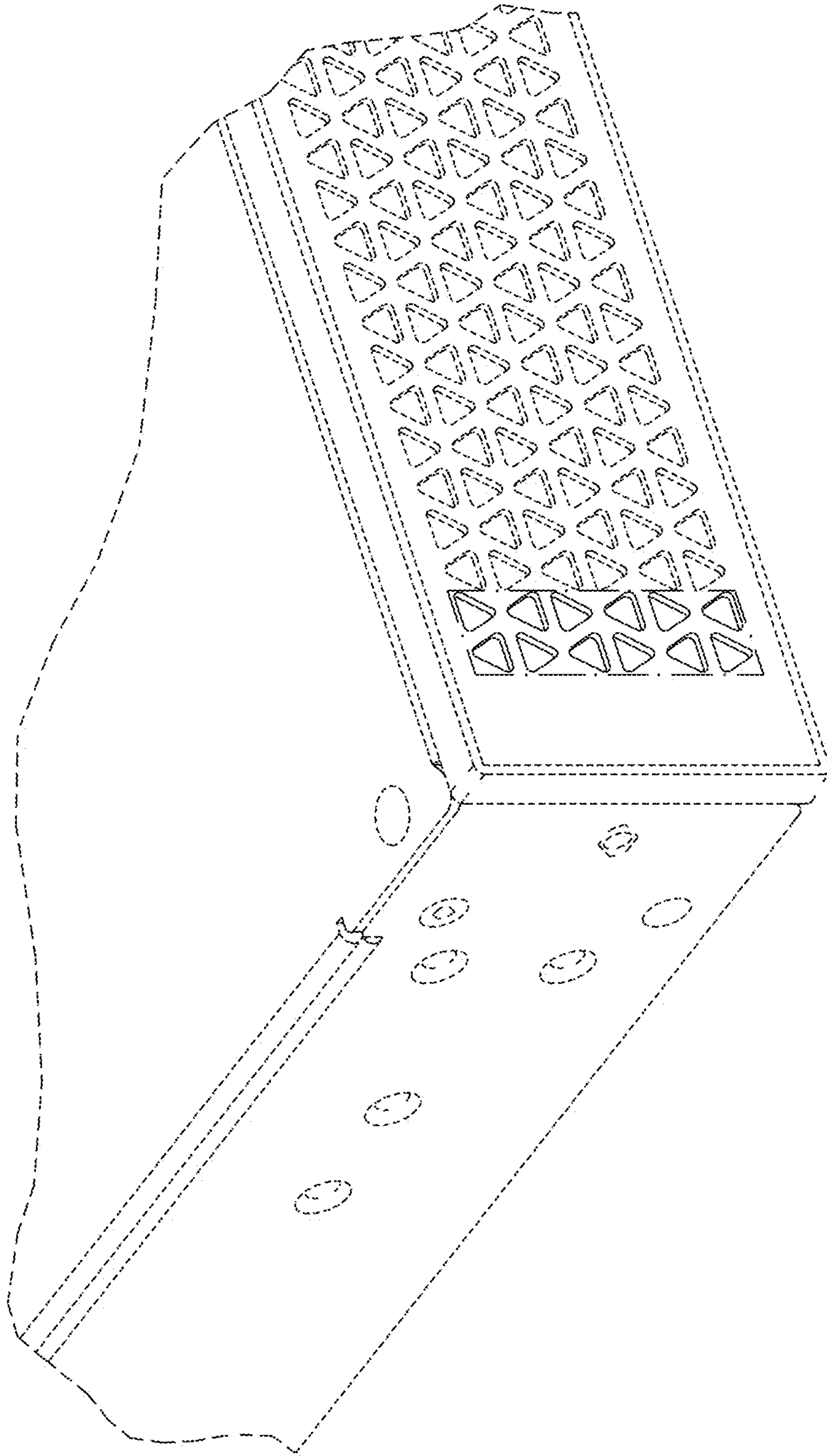


FIG. 1

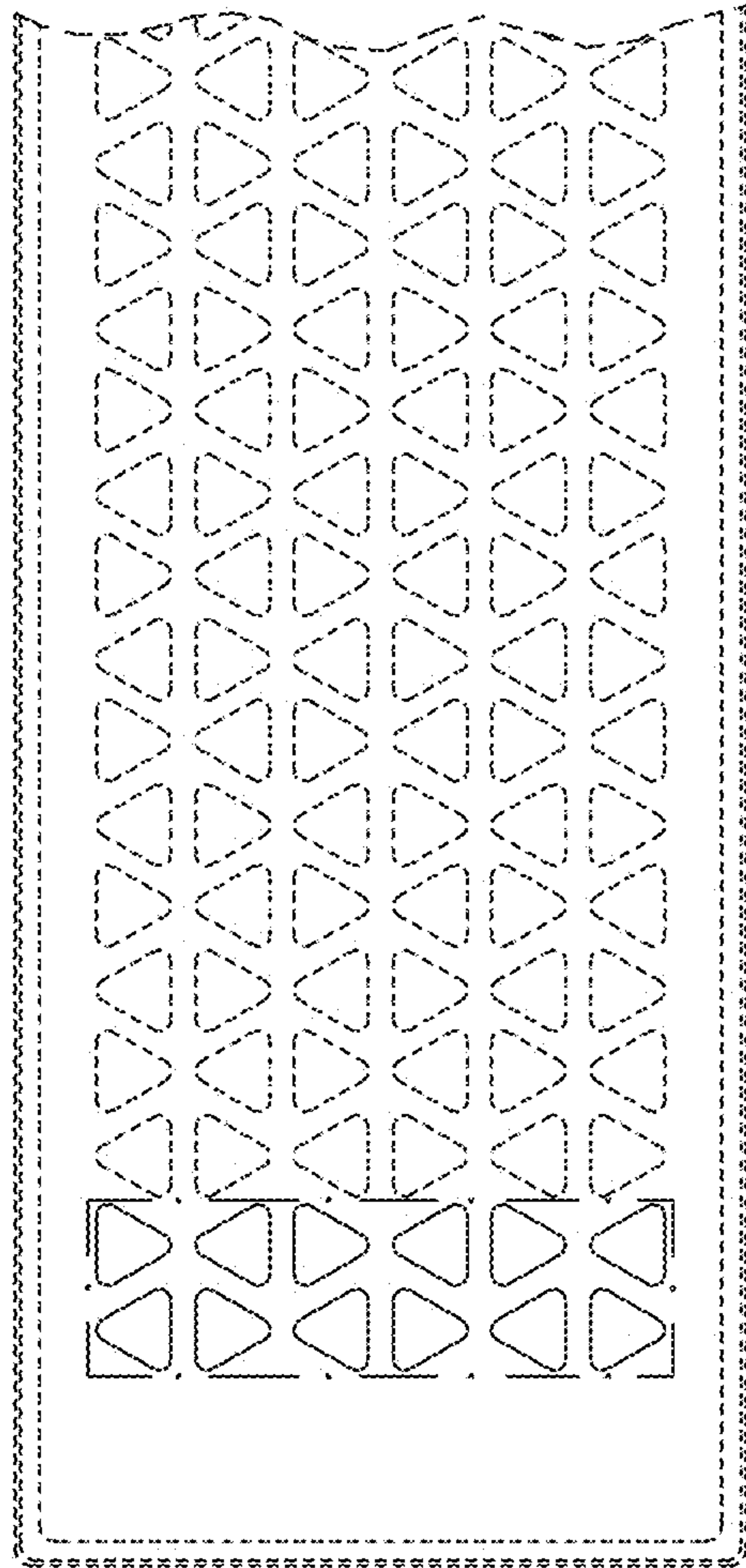


FIG. 2