



US00D961510S

(12) **United States Design Patent**
Cheng

(10) **Patent No.:** **US D961,510 S**
(45) **Date of Patent:** **** Aug. 23, 2022**

(54) **CHARGER**

(71) Applicant: **Weilong Cheng**, Shenzhen (CN)

(72) Inventor: **Weilong Cheng**, Shenzhen (CN)

(**) Term: **15 Years**

(21) Appl. No.: **29/827,814**

(22) Filed: **Feb. 22, 2022**

(51) **LOC (13) Cl.** **13-02**

(52) **U.S. Cl.**
USPC **D13/108**

(58) **Field of Classification Search**

USPC D13/102–110, 118, 119, 153, 154, 184,
D13/199

CPC Y02E 60/10; Y02E 60/12; Y02E 60/122;
Y02E 60/124; Y02E 60/50; H01M 2/02;
H01M 2/022; H01M 2/0202; H01M
2/0207; H01M 2/0212; H01M 2/1061;
H01M 2/1022; H01M 2/1055; H01M
2/1066; H01M 2/105; H01M 2/20; H01M
2/202; H01M 2/204; H01M 2/206; H01M
10/44; H01M 10/46; H01M 10/465;
H01M 10/482; H01M 10/4257; H01M
10/0436; H01M 10/48; H01M 2200/30;
H01M 2250/30; H01M 2250/40; H02J
7/00; H02J 7/0003; H02J 7/0011; H02J
7/0013; H02J 7/0054; H02J 7/0055; H02J
7/0057; H02J 7/0034; H02J 7/1423; H02J
2001/008; H02J 3/32; H02J 3/008; H02J
7/0027; Y02T 10/7005; Y02T 10/705;
Y02T 10/7088; B60R 16/03; B60L
11/1809; B60L 11/1861

See application file for complete search history.

(56) **References Cited**

U.S. PATENT DOCUMENTS

D705,725 S * 5/2014 Ryu D13/108
D821,971 S * 7/2018 Yang D13/107

D823,801 S * 7/2018 Ouyang D13/110
D829,647 S * 10/2018 Yang D13/107
D867,287 S * 11/2019 Akana D13/110
D879,711 S * 3/2020 Ruiwu D13/108
D879,712 S * 3/2020 Fan D13/108
D888,666 S * 6/2020 Zhang D13/110
D900,738 S * 11/2020 Liu D13/108
D924,135 S * 7/2021 England D13/110
D929,328 S * 8/2021 Akana D13/110
D931,815 S * 9/2021 Hong D13/108
D937,208 S * 11/2021 Liu D13/108
D938,352 S * 12/2021 Zhang D13/108
D938,909 S * 12/2021 Yuan D13/108
D939,435 S * 12/2021 Feng D13/107
D939,440 S * 12/2021 Guo D13/108
D941,241 S * 1/2022 Wu D13/108
D941,242 S 1/2022 Guo
D942,383 S * 2/2022 Wu D13/108
D942,384 S * 2/2022 Wu D13/108
D942,385 S * 2/2022 Wu D13/108
D942,388 S * 2/2022 Li D13/108
D946,520 S * 3/2022 Spinella D13/110

(Continued)

Primary Examiner — Christy Nemeth

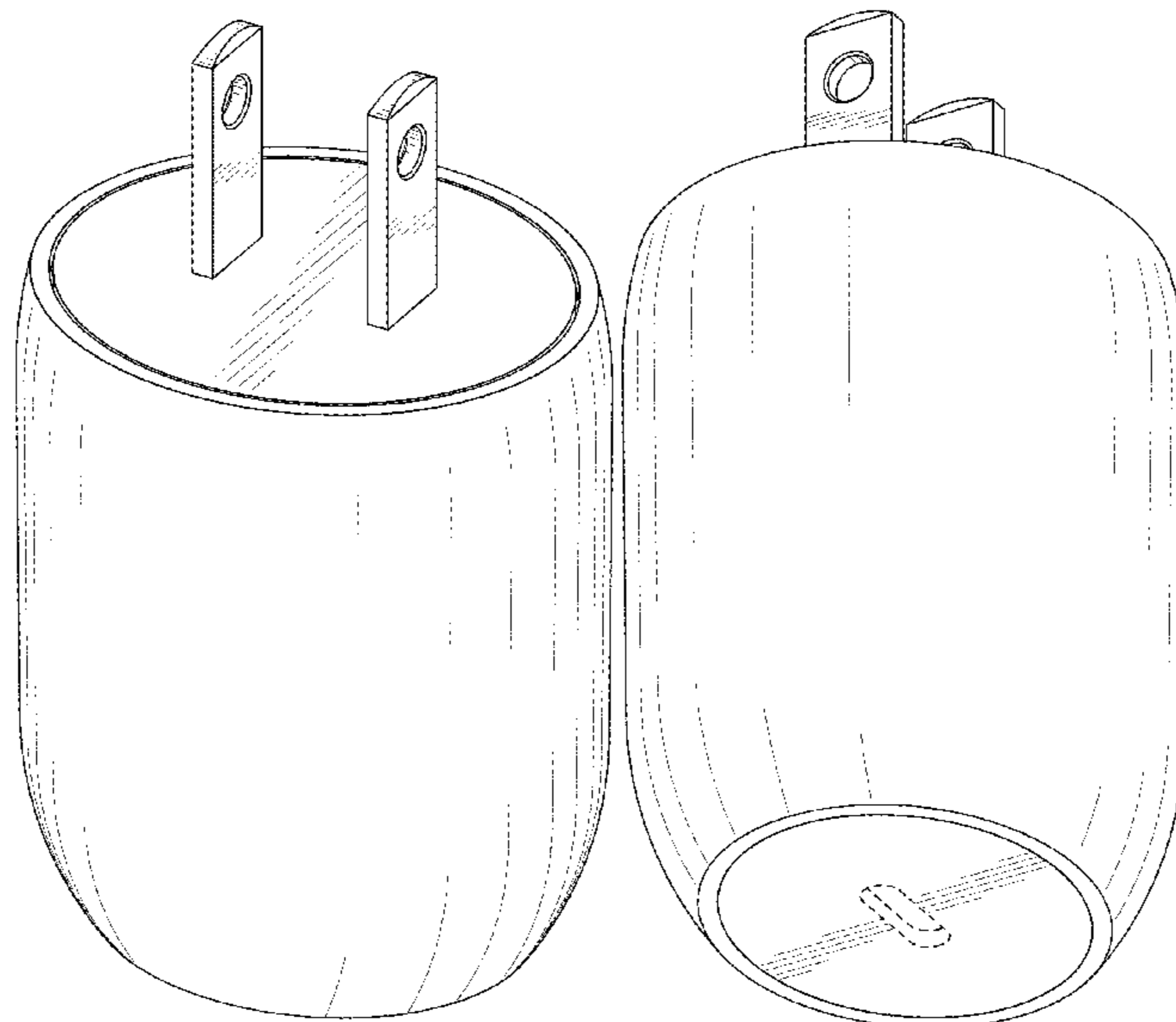
(57) **CLAIM**

The ornamental design for a charger, as shown and described.

DESCRIPTION

FIG. 1 is a front, right and top perspective view of a charger showing my new design;
FIG. 2 is a left, rear and bottom perspective view thereof;
FIG. 3 is a front view thereof;
FIG. 4 is a rear view thereof;
FIG. 5 is a left side view thereof;
FIG. 6 is a right side view thereof;
FIG. 7 is a top plan view thereof; and,
FIG. 8 is a bottom plan view thereof.
The broken lines in the figures illustrate portions of the charger that form no part of the claimed design.

1 Claim, 8 Drawing Sheets



(56)

References Cited

U.S. PATENT DOCUMENTS

D948,428 S	*	4/2022	Li	D13/108
D948,436 S	*	4/2022	Peng	D13/110
D951,865 S	*	5/2022	Ning	D13/110

* cited by examiner

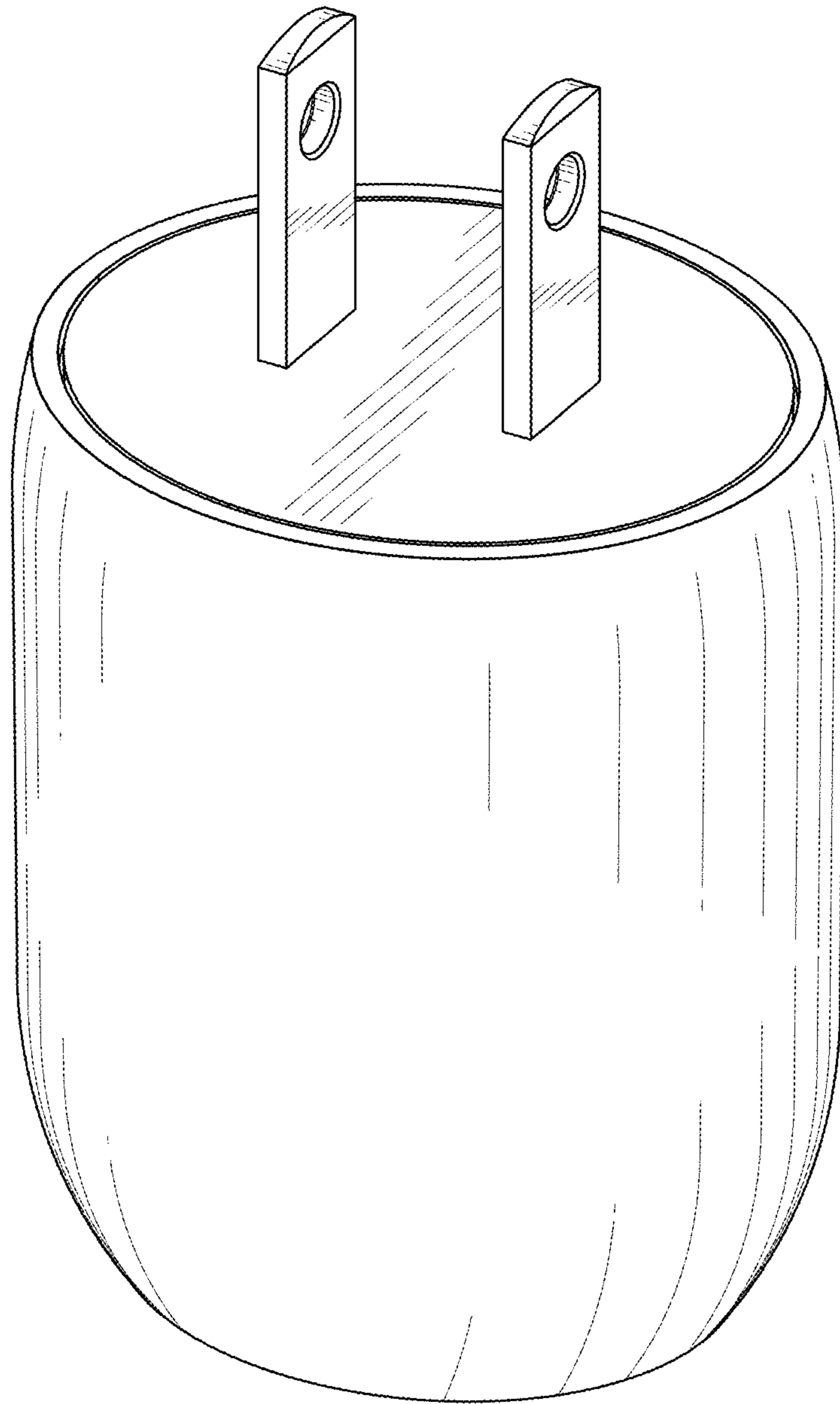


FIG. 1

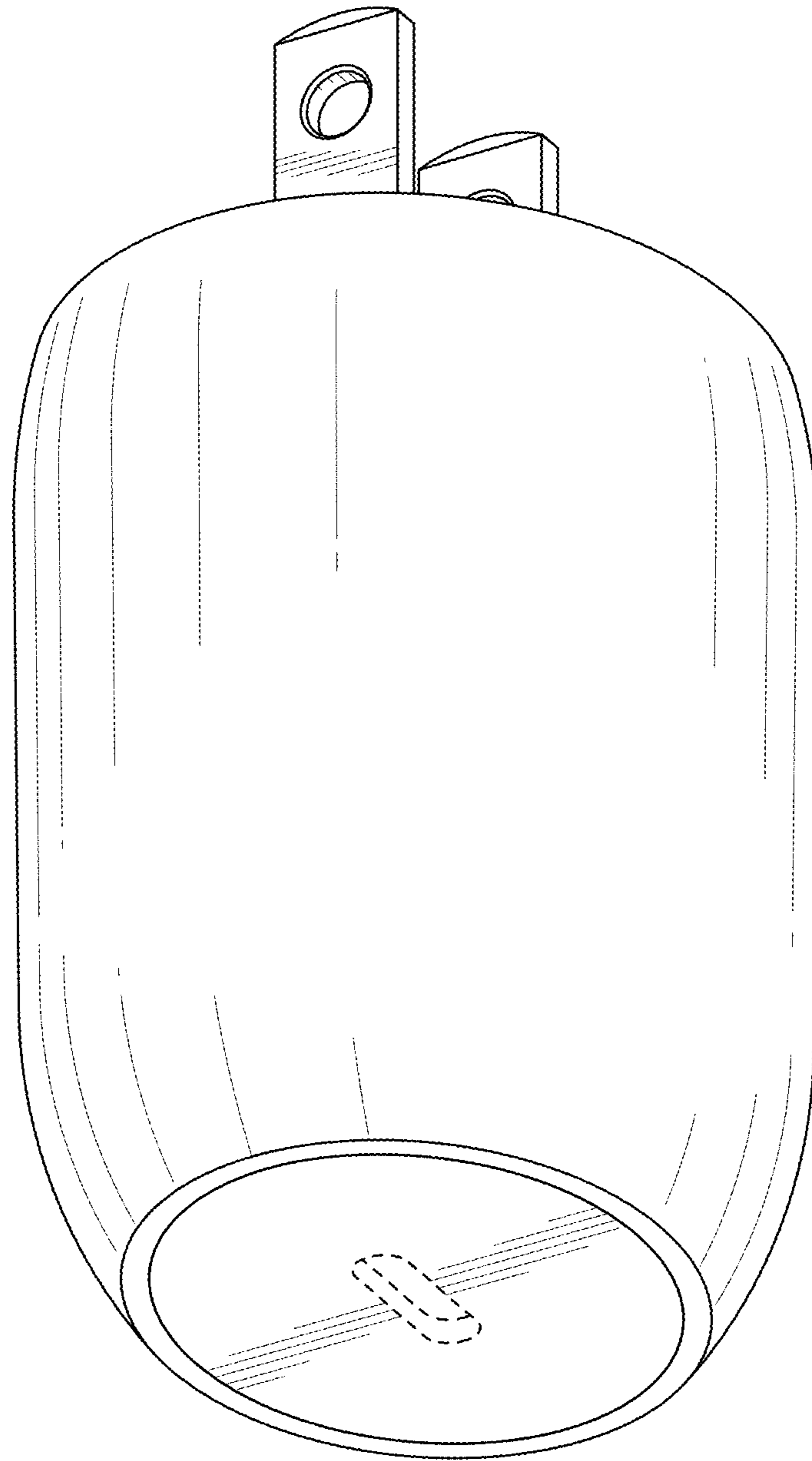


FIG. 2

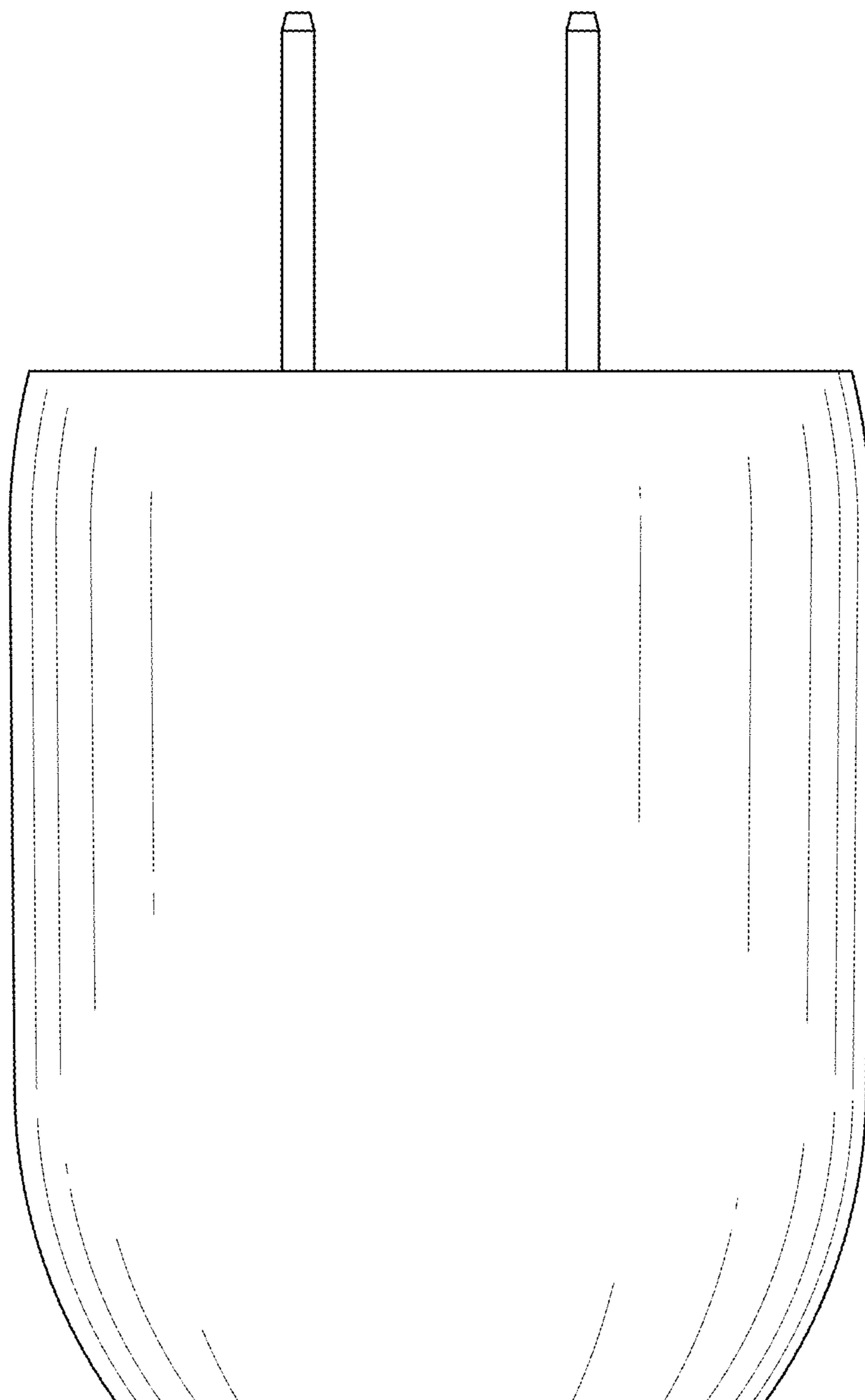


FIG. 3

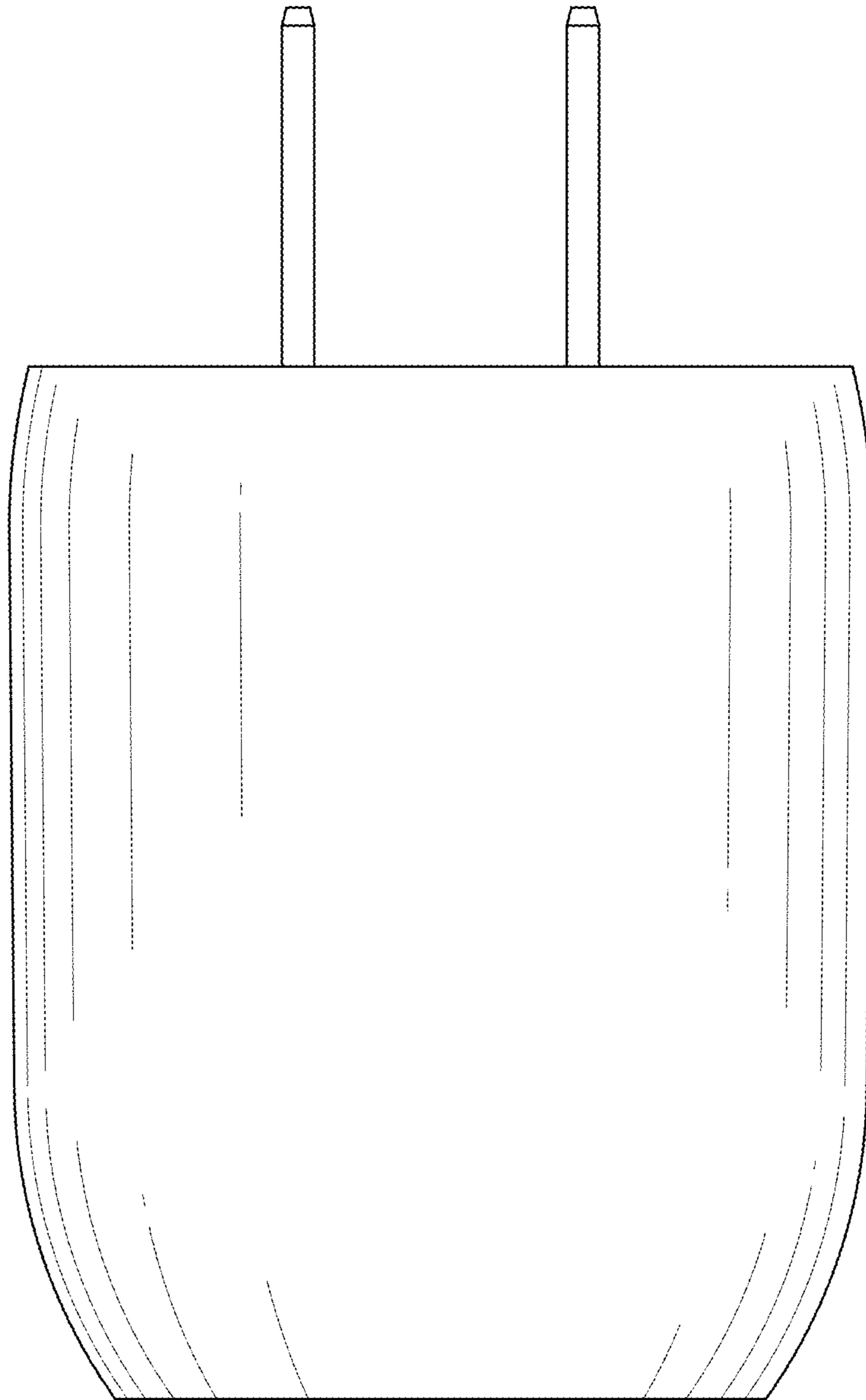


FIG. 4

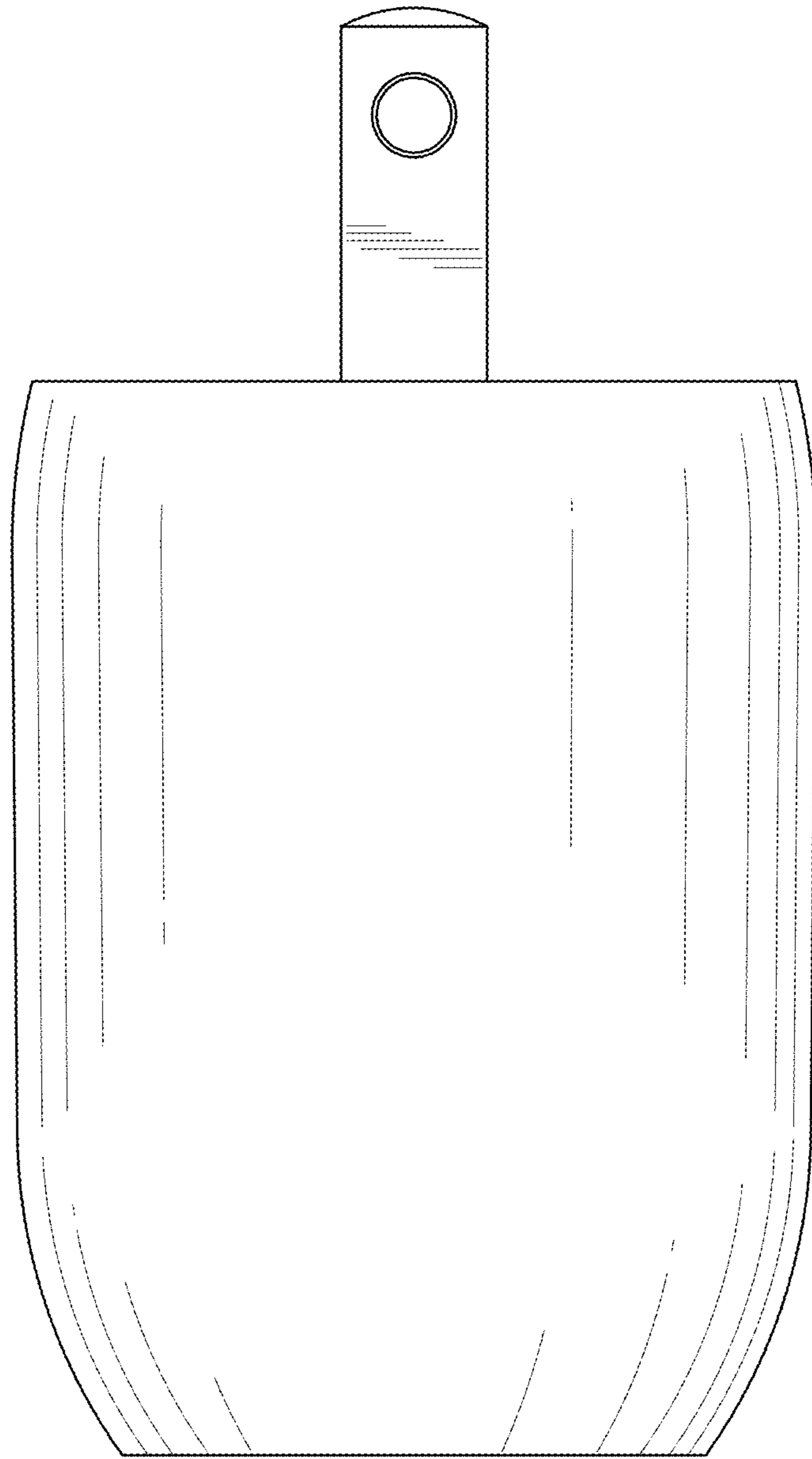


FIG. 5

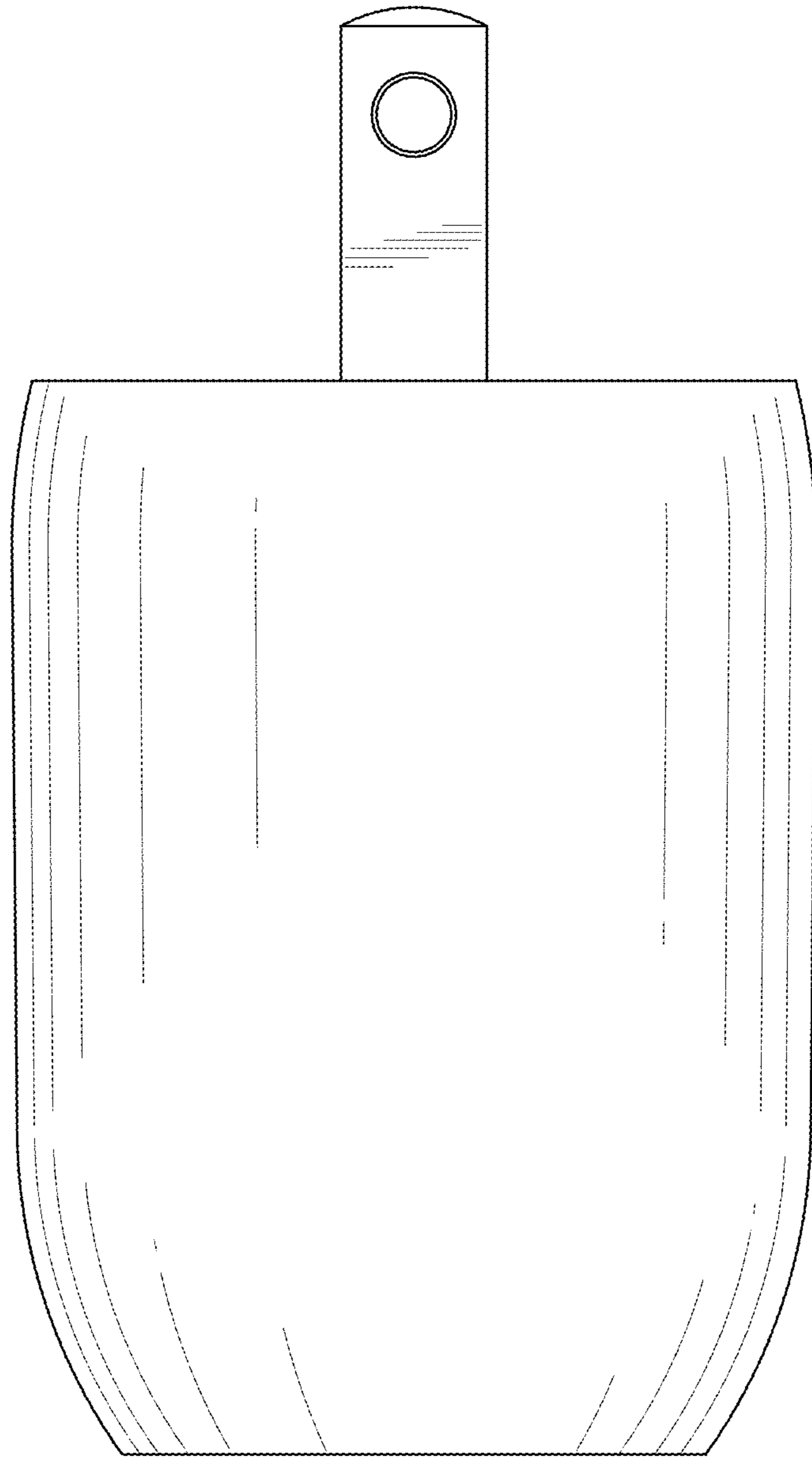


FIG. 6

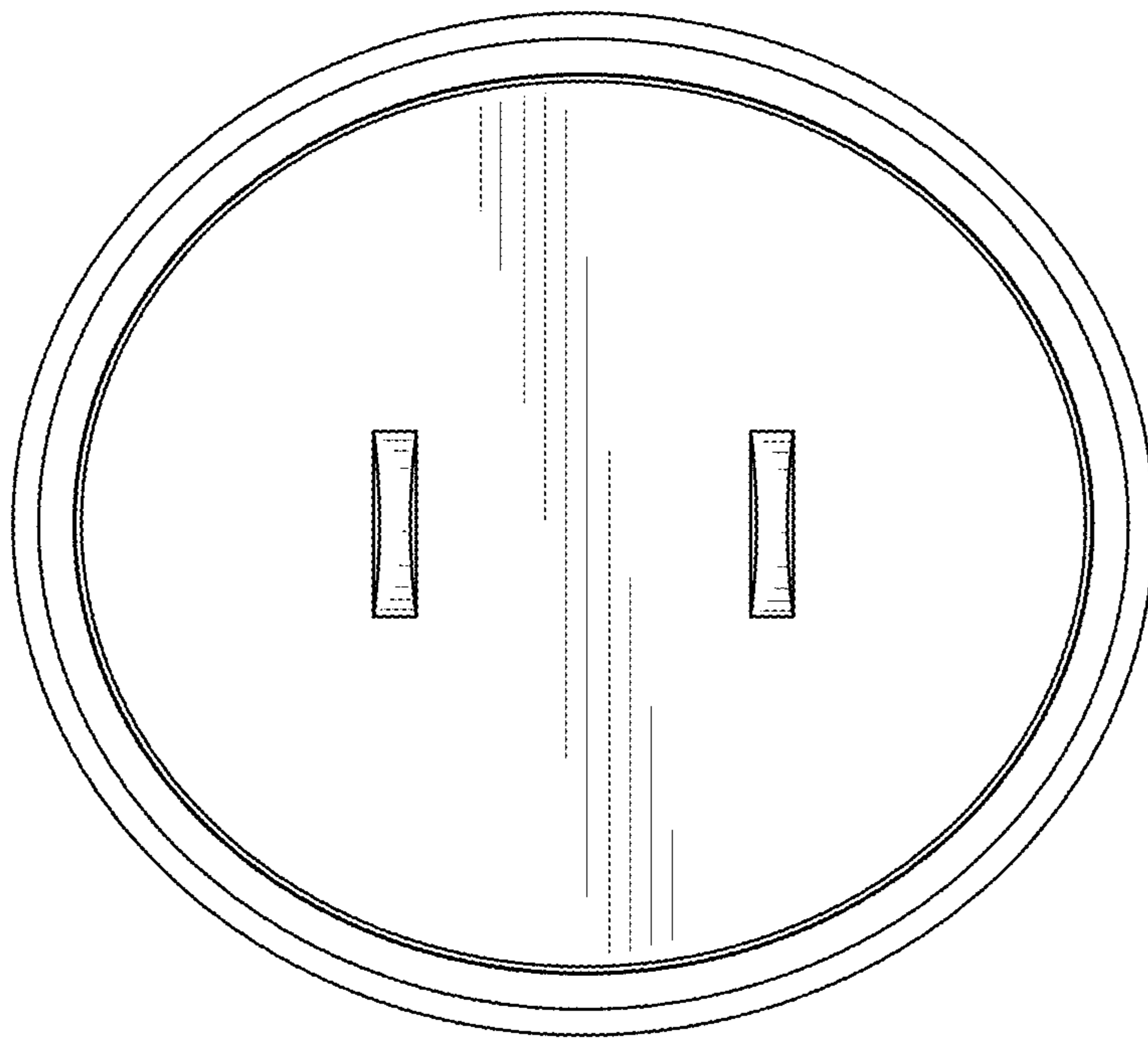


FIG. 7

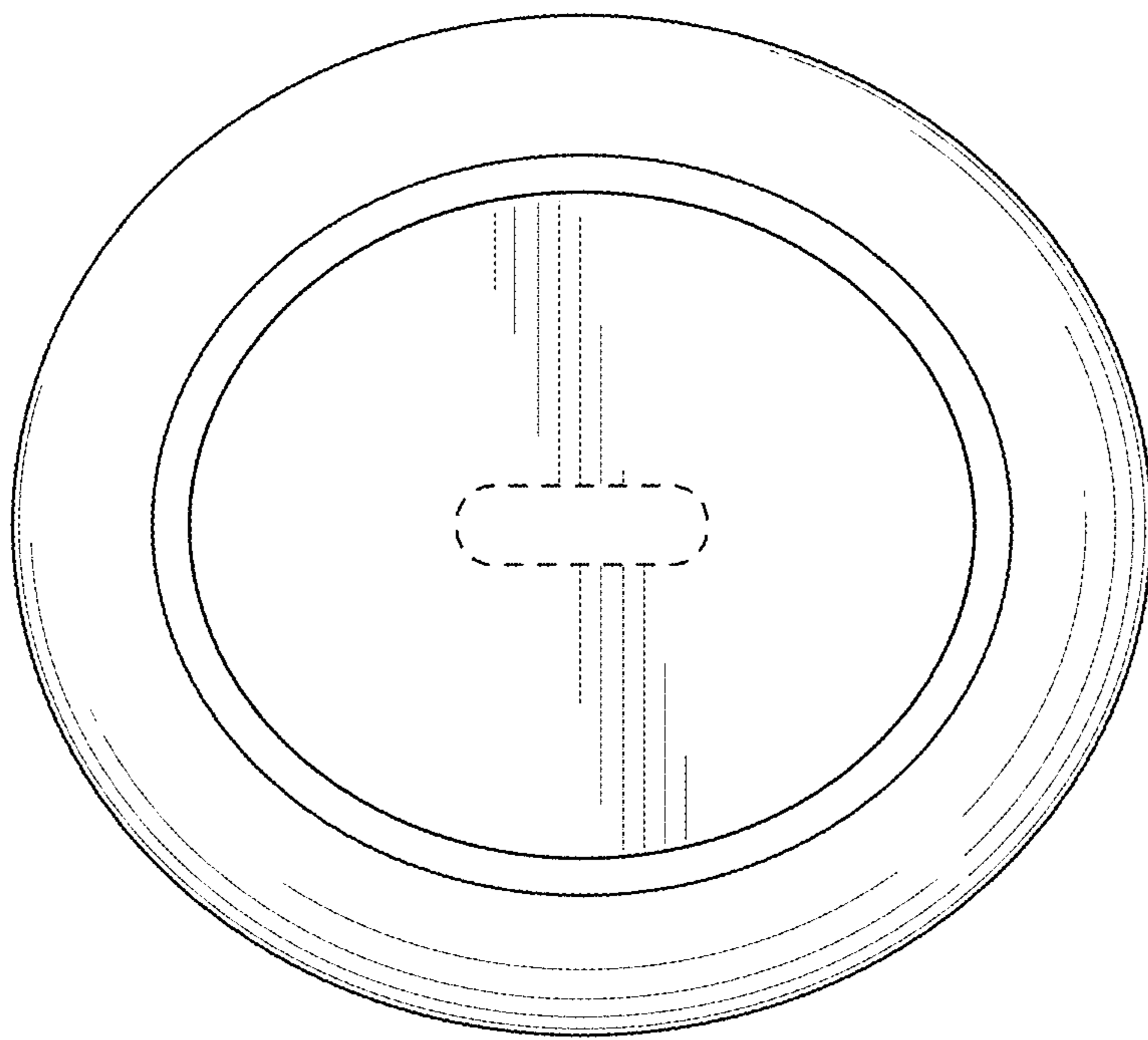


FIG. 8