



US00D961509S

(12) **United States Design Patent**
Takahashi et al.

(10) **Patent No.:** **US D961,509 S**
(45) **Date of Patent:** **** Aug. 23, 2022**

(54) **WIRELESS CHARGING FLOOR PANEL**

(71) Applicant: **Mitsubishi Electric Corporation,**
Tokyo (JP)

(72) Inventors: **Akiko Takahashi,** Tokyo (JP); **Fumie**
Otsubo, Tokyo (JP)

(73) Assignee: **Mitsubishi Electric Corporation,**
Tokyo (JP)

(**) Term: **15 Years**

(21) Appl. No.: **29/799,896**

(22) Filed: **Jul. 16, 2021**

Related U.S. Application Data

(62) Division of application No. 29/718,205, filed on Dec.
20, 2019, now Pat. No. Des. 943,520.

(30) **Foreign Application Priority Data**

Jul. 11, 2019 (JP) 2019-015546
Jul. 11, 2019 (JP) 2019-015547
Jul. 11, 2019 (JP) 2019-015548
Jul. 11, 2019 (JP) 2019-015549
Jul. 11, 2019 (JP) 2019-015550

(51) **LOC (13) Cl.** **13-02**

(52) **U.S. Cl.**
USPC **D13/108**

(58) **Field of Classification Search**
USPC D13/103, 107, 108, 109, 110, 117, 118,
D13/119, 120, 121, 122, 184, 199;
D14/356, 432, 433, 434; D25/138, 152
CPC H02J 50/05; H02J 15/00; H04B 1/3877
See application file for complete search history.

(56) **References Cited**

U.S. PATENT DOCUMENTS

4,635,351 A * 1/1987 Koch H02K 15/022
29/598
D706,212 S * 6/2014 Zwierstra D13/107

D737,825 S * 9/2015 Kumar D14/433
D741,256 S * 10/2015 Murphy-Reinhertz D13/108
9,231,430 B2 1/2016 Natsume et al.
D782,977 S 4/2017 Zhang
D808,389 S * 1/2018 Judge D10/104.1
D840,498 S 2/2019 Miskovich

(Continued)

OTHER PUBLICATIONS

“Brava Charger”. Found online Mar. 22, 2022 at bravamarketing.com. Reference dated Jun. 18, 2016. Retrieved from https://tineye.com/search/dce99cfbe39c_12da855396fb24efcbc049244660?sort=crawl_date&order=asc&page=1. (Year: 2016).*

“Bosch Wireless EV Charger”. Found online Mar. 22, 2022 at gmauthority.com. Reference dated Jun. 13, 2013. Retrieved from <https://gmauthority.com/blog/2013/06/evatran-brings-wireless-charging-to-the-chevy-volt/>. (Year: 2013).*

(Continued)

Primary Examiner — Kendra Leslie Hamilton

Assistant Examiner — Amanda Christensen

(74) *Attorney, Agent, or Firm* — Stuebaker & Brackett
PC

(57) **CLAIM**

The ornamental design for a wireless charging floor panel, as shown and described.

DESCRIPTION

FIG. 1 is a front, top and right side perspective view of a wireless charging floor panel, showing our new design;
FIG. 2 is a rear, bottom and left side perspective view thereof;

FIG. 3 is a front view thereof;

FIG. 4 is a top view thereof;

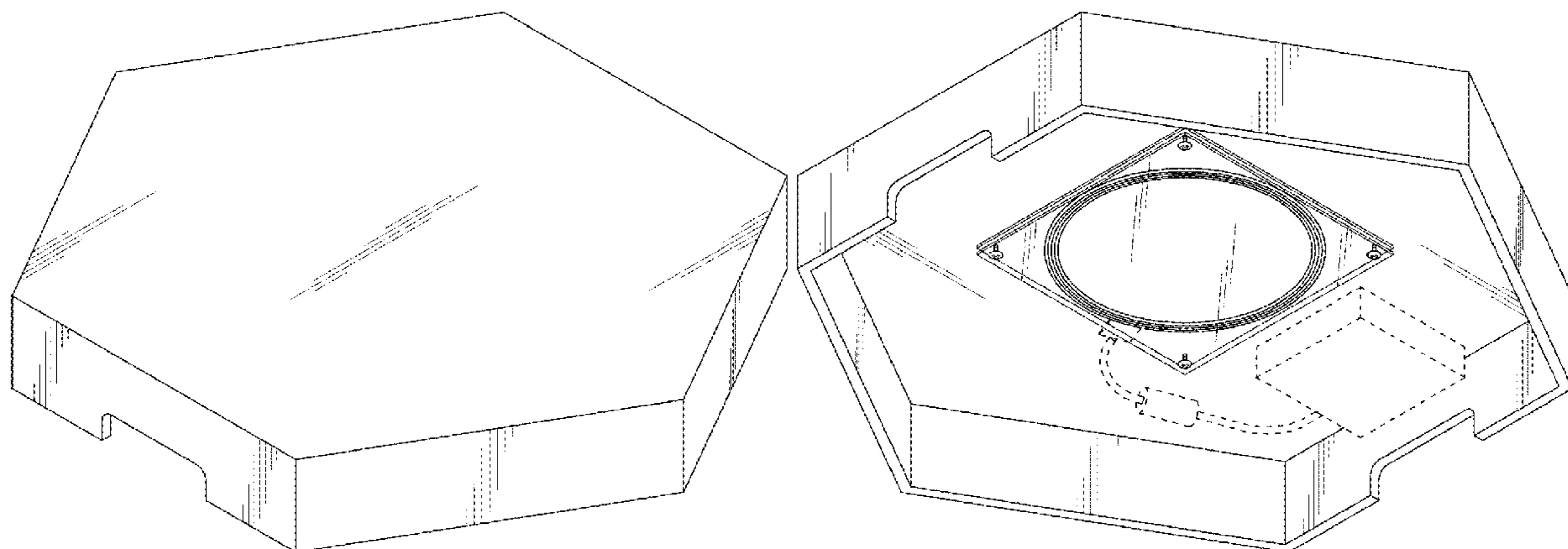
FIG. 5 is a bottom view thereof;

FIG. 6 is a right side view thereof; and,

FIG. 7 is an enlarged sectional view taken along line 7-7 of FIG. 5 thereof.

The parts shown in the broken lines do not form part of the claimed design.

1 Claim, 7 Drawing Sheets



(56)

References Cited

U.S. PATENT DOCUMENTS

10,256,657	B2	4/2019	Hosseini et al.	
D852,133	S	6/2019	Rogala	
D857,242	S *	8/2019	Darrow	D25/138
D860,937	S	9/2019	Slaatto	
D865,666	S	11/2019	Roberts	
D866,458	S	11/2019	Chen et al.	
D868,934	S *	12/2019	Miskovich	D23/206
D870,661	S *	12/2019	Virhiä	D13/108
D886,736	S	6/2020	Worthy	
D893,423	S	8/2020	Nishimura et al.	
D935,448	S *	11/2021	Lee	D13/108
D943,520	S *	2/2022	Takahashi	D13/108
2010/0105526	A1 *	4/2010	Hautoplund	A63B 69/0053 482/8
2013/0162202	A1	6/2013	Wang	
2015/0188357	A1	7/2015	Chen et al.	
2016/0268825	A1 *	9/2016	Byrne	H02J 7/0068
2016/0282192	A1	9/2016	Wikstrand	
2017/0187222	A1 *	6/2017	Hosseini	H02J 7/0042

OTHER PUBLICATIONS

“Umama Wireless Wooden Charger Pad”. Found online Mar. 22, 2022 at atmamasecoworld.com. Reference dated Jan. 22, 2018. Retrieved from https://tineye.com/search/be19e86287e16ad79f70578bec7a9617f1ec194d?sort=crawl_date&order=asc&page=1. (Year: 2018).*

“BMW Wireless Charging System”. Found online Apr. 26, 2021 at cleantechnica.com. Reference dated Jan. 21, 2018. Retrieved from <https://cleantechnica.com/2018/01/21/us-finally-getting-bmws-wireless-charging-system/> (Year: 2018).

“Tesla Wireless Charging”. Found online Apr. 26, 2021 at [youtube.com](https://www.youtube.com). Reference dated Aug. 17, 2016. Retrieved from <https://www.youtube.com/watch?v=CZevHIvaE7A> (Year: 2016).

“Eggtronic Wireless Charging Valet Tray”. Found online May 25, 2021 at [amazon.com](https://www.amazon.com). Reference dated Jun. 14, 2019. Retrieved from <https://www.amazon.com/EGGTRONIC-Wireless-Charging-Valet-Tray/dp/B07SZKNG67> (Year: 2019).

* cited by examiner

Fig. 1

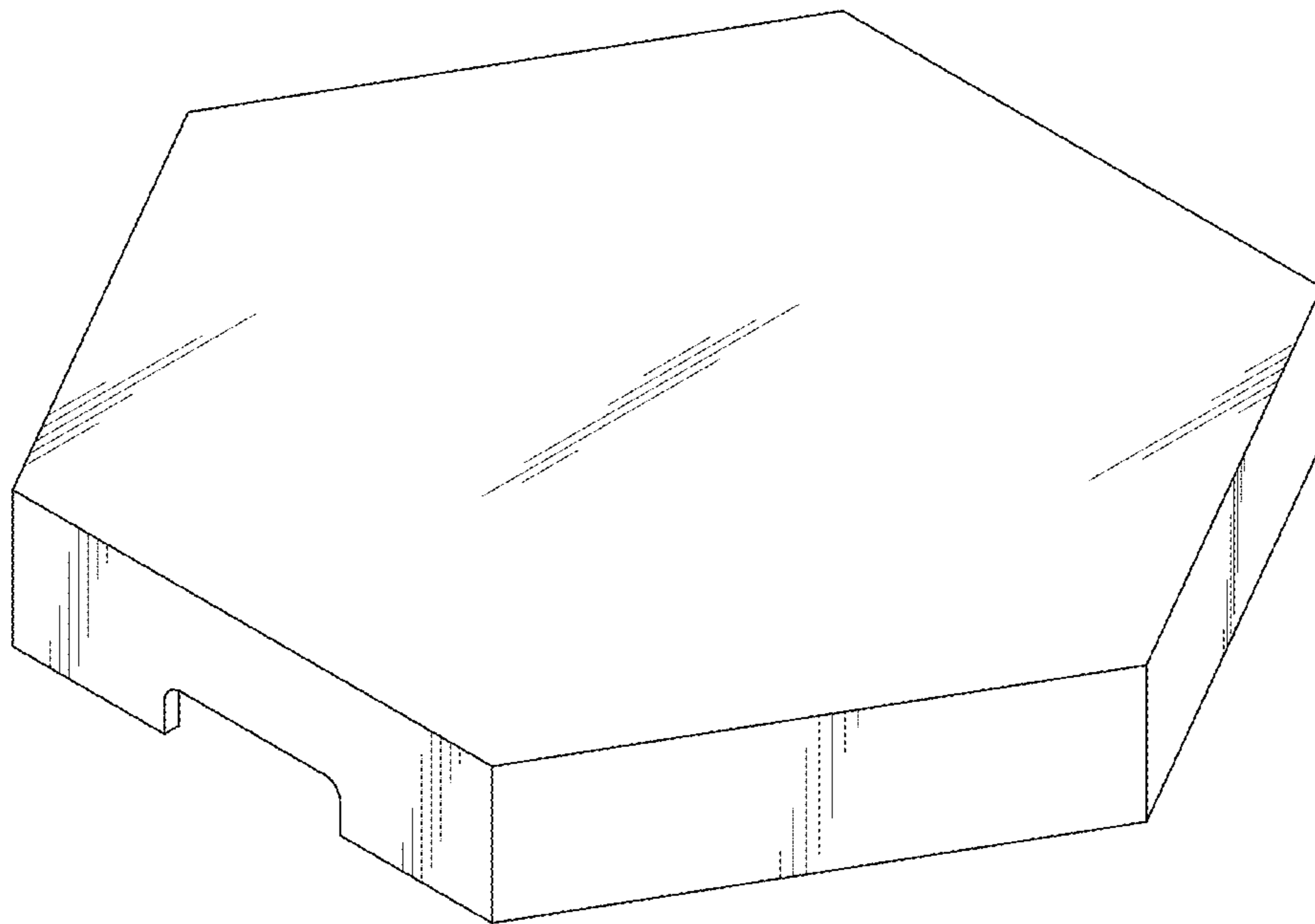


Fig. 2

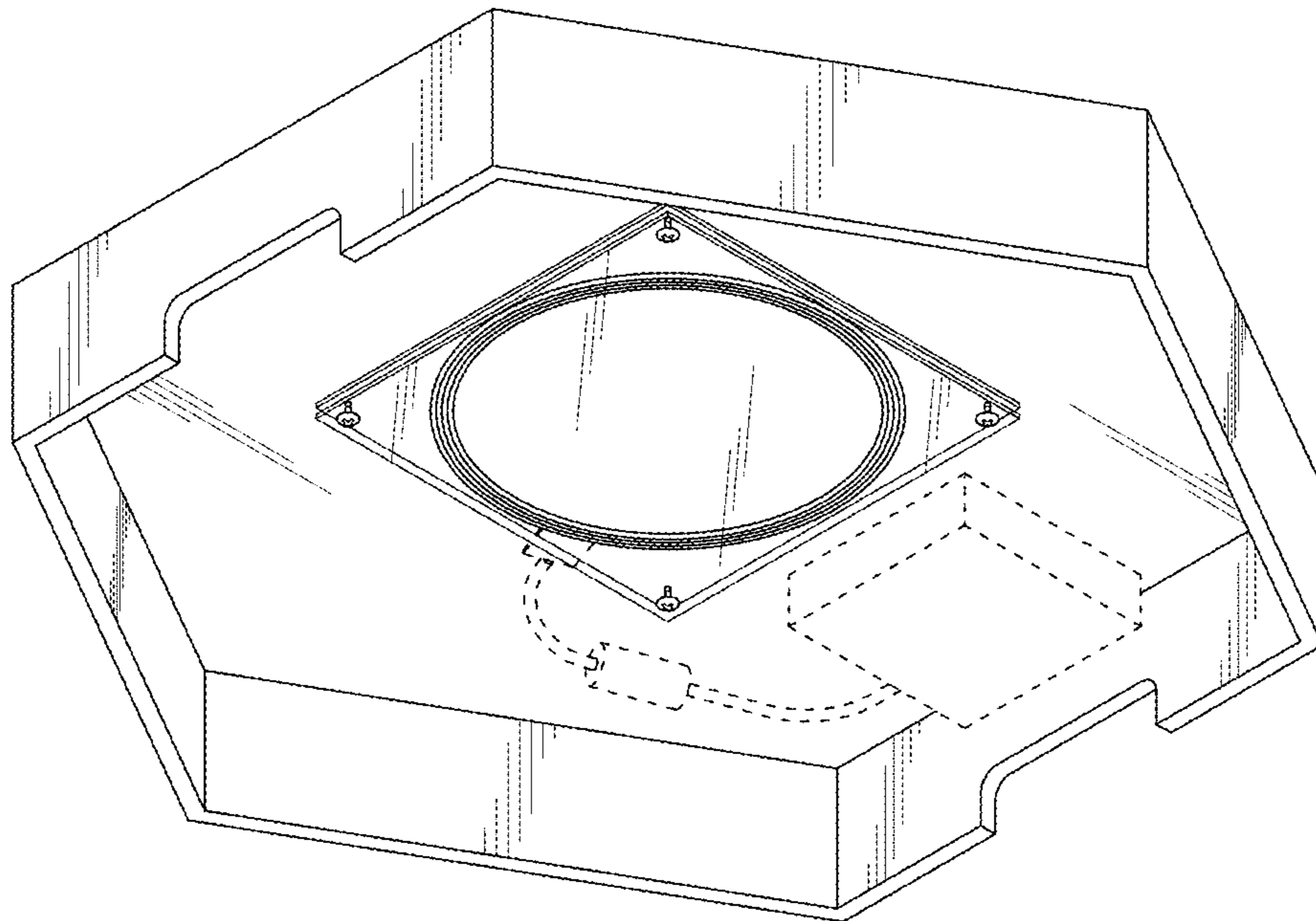


Fig. 3

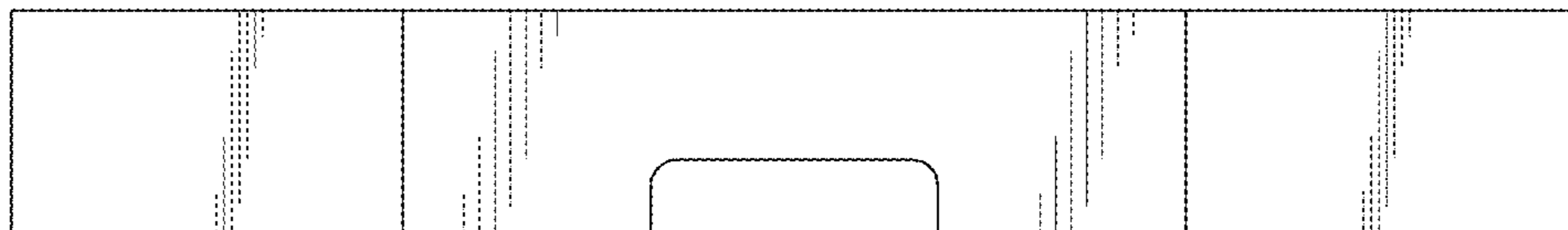


Fig. 4

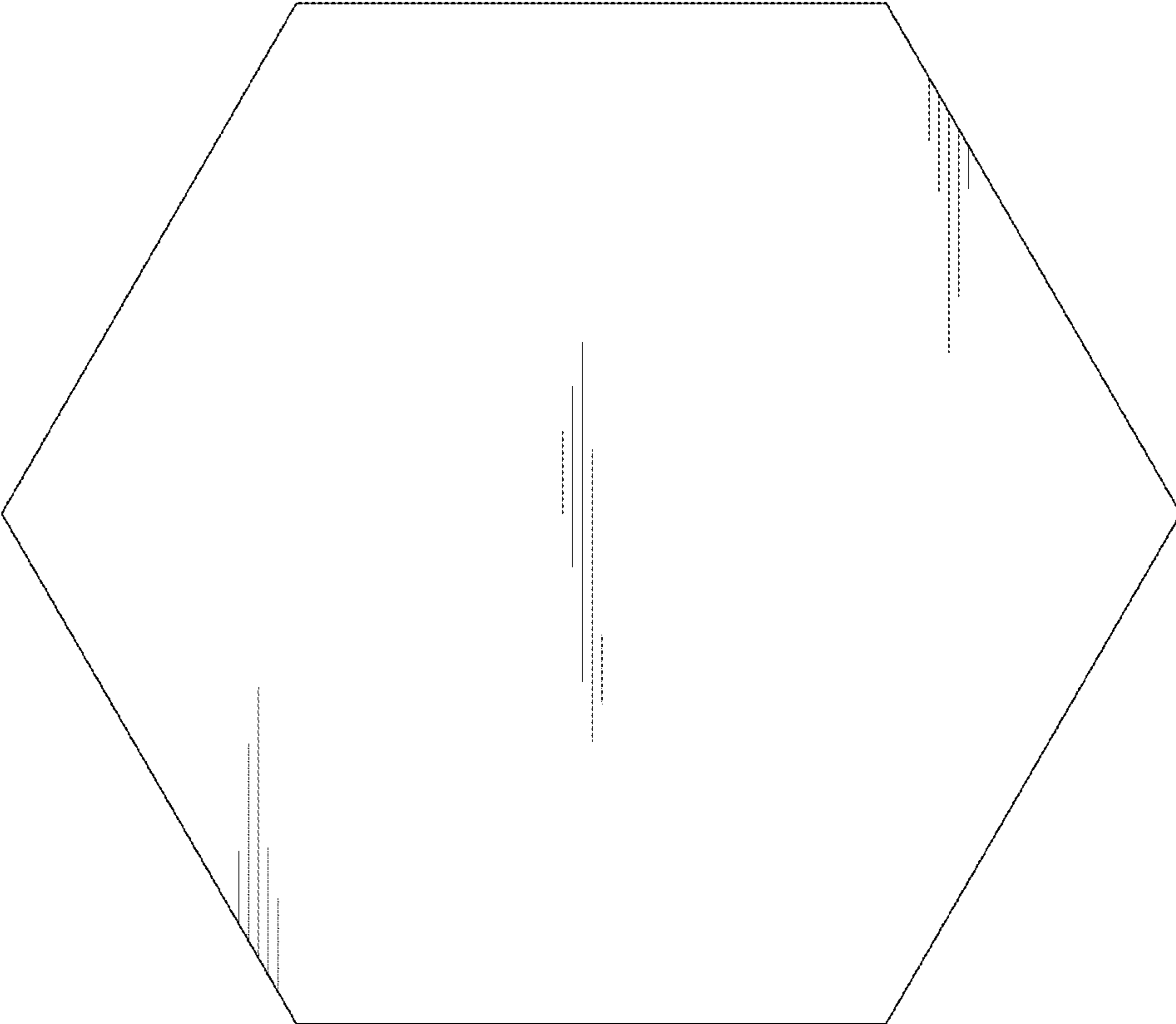


Fig. 5

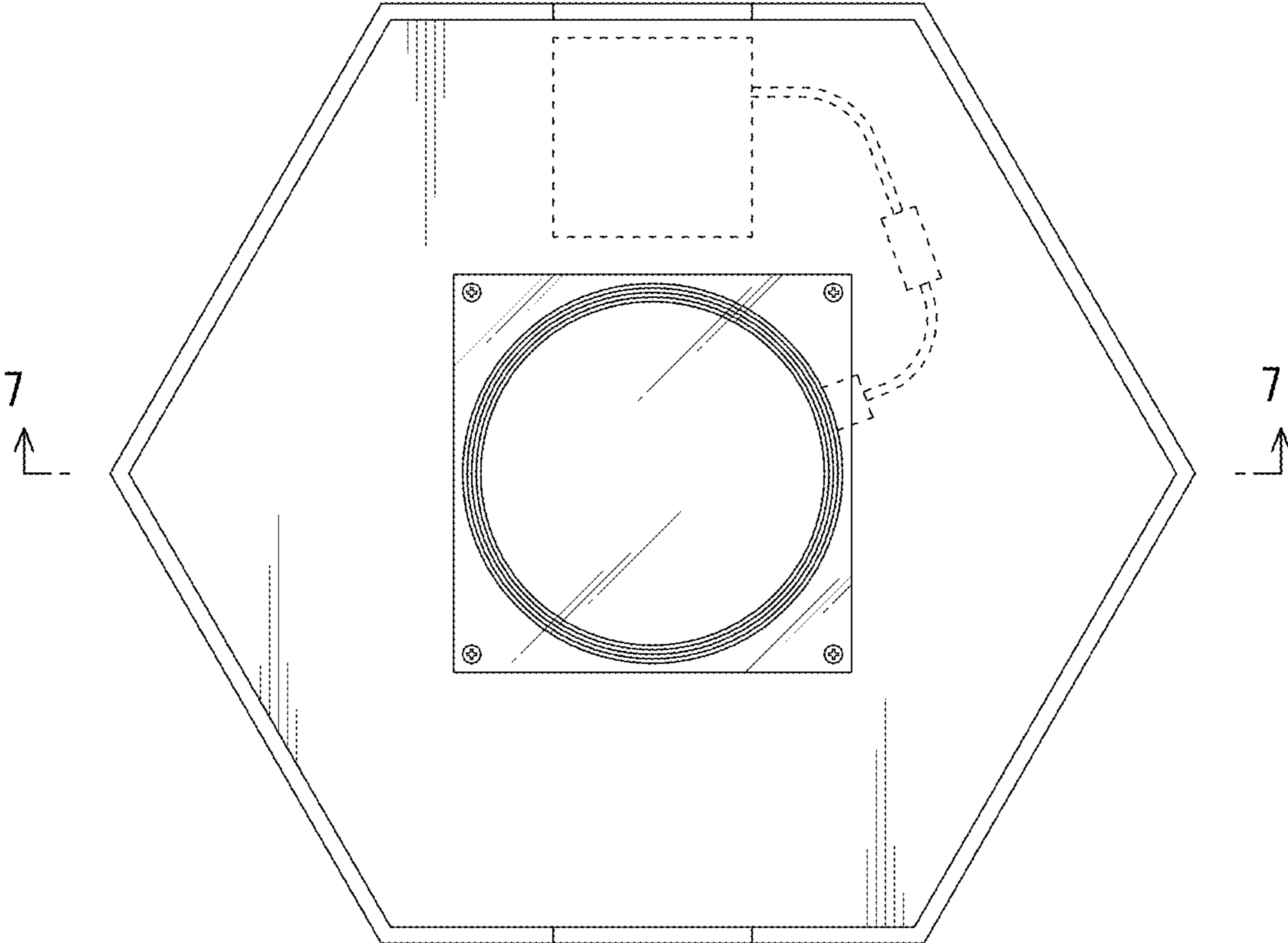


Fig. 6

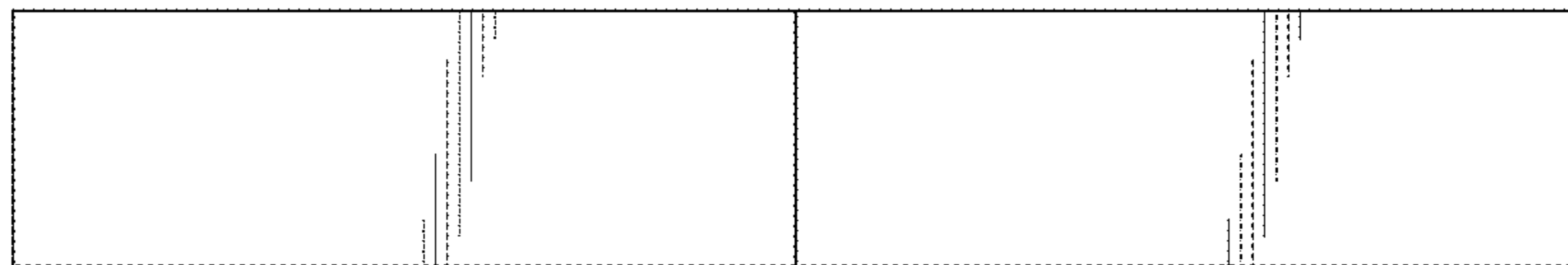


Fig. 7

