



US00D961508S

(12) **United States Design Patent**
Zhang

(10) **Patent No.:** **US D961,508 S**

(45) **Date of Patent:** **** Aug. 23, 2022**

(54) **EARPHONE WITH CHARGING CASE ASSEMBLY**

Primary Examiner — Kendra Leslie Hamilton
Assistant Examiner — Amanda Christensen

(71) Applicant: **SHENZHEN HONGRUNFA INDUSTRIAL CO., LTD**, Shenzhen (CN)

(57) **CLAIM**

The ornamental design for an earphone with charging case assembly, as shown and described.

(72) Inventor: **Hong Zhang**, Shenzhen (CN)

(73) Assignee: **SHENZHEN HONGRUNFA INDUSTRIAL CO., LTD**, Shenzhen (CN)

DESCRIPTION

(**) Term: **15 Years**

FIG. 1 is a top, front, left side perspective view of a charging case of an earphone with charging case assembly, shown separately for ease of illustration and in an open state; FIG. 2 is a bottom, rear, right side perspective view thereof; FIG. 3 is a front elevational view thereof; FIG. 4 is a rear elevational view thereof; FIG. 5 is a left side elevational view thereof; FIG. 6 is a right side elevational view thereof; FIG. 7 is a top plan view thereof; FIG. 8 is a bottom plan view thereof; FIG. 9 is a top, front, right side perspective view of an earphone of the earphone with charging case assembly, shown enlarged for clarity of disclosure; FIG. 10 is a bottom, rear, left side perspective view thereof; FIG. 11 is a front elevational view thereof; FIG. 12 is a rear elevational view thereof; FIG. 13 is a left side elevational view thereof; FIG. 14 is a right side elevational view thereof; FIG. 15 is a top plan view thereof; FIG. 16 is a bottom plan view thereof; FIG. 17 is a top, front, left side perspective view of the earphone with charging case assembly, shown in use with the earphone received in the charging case; and, FIG. 18 is a top, front, left side perspective view of the charging case of the earphone with the charging case assembly is in a close state.
The broken lines on the earphone and charging case depict portions of the earphone with charging case assembly that form no part of the claimed design. In FIG. 17, the broken lines showing an additional earphone depict environment and form no part of the claimed design.

(21) Appl. No.: **29/776,848**

(22) Filed: **Apr. 1, 2021**

(51) **LOC (13) Cl.** **13-02**

(52) **U.S. Cl.**
USPC **D13/108**; D3/294; D14/223

(58) **Field of Classification Search**
USPC D13/103, 107, 108, 118, 119, 184, 199;
D3/201, 273, 294, 295, 302; D14/205,
D14/207, 217, 223

(Continued)

(56) **References Cited**

U.S. PATENT DOCUMENTS

D877,722 S * 3/2020 Yang D14/223
D886,453 S * 6/2020 Wright D3/294

(Continued)

FOREIGN PATENT DOCUMENTS

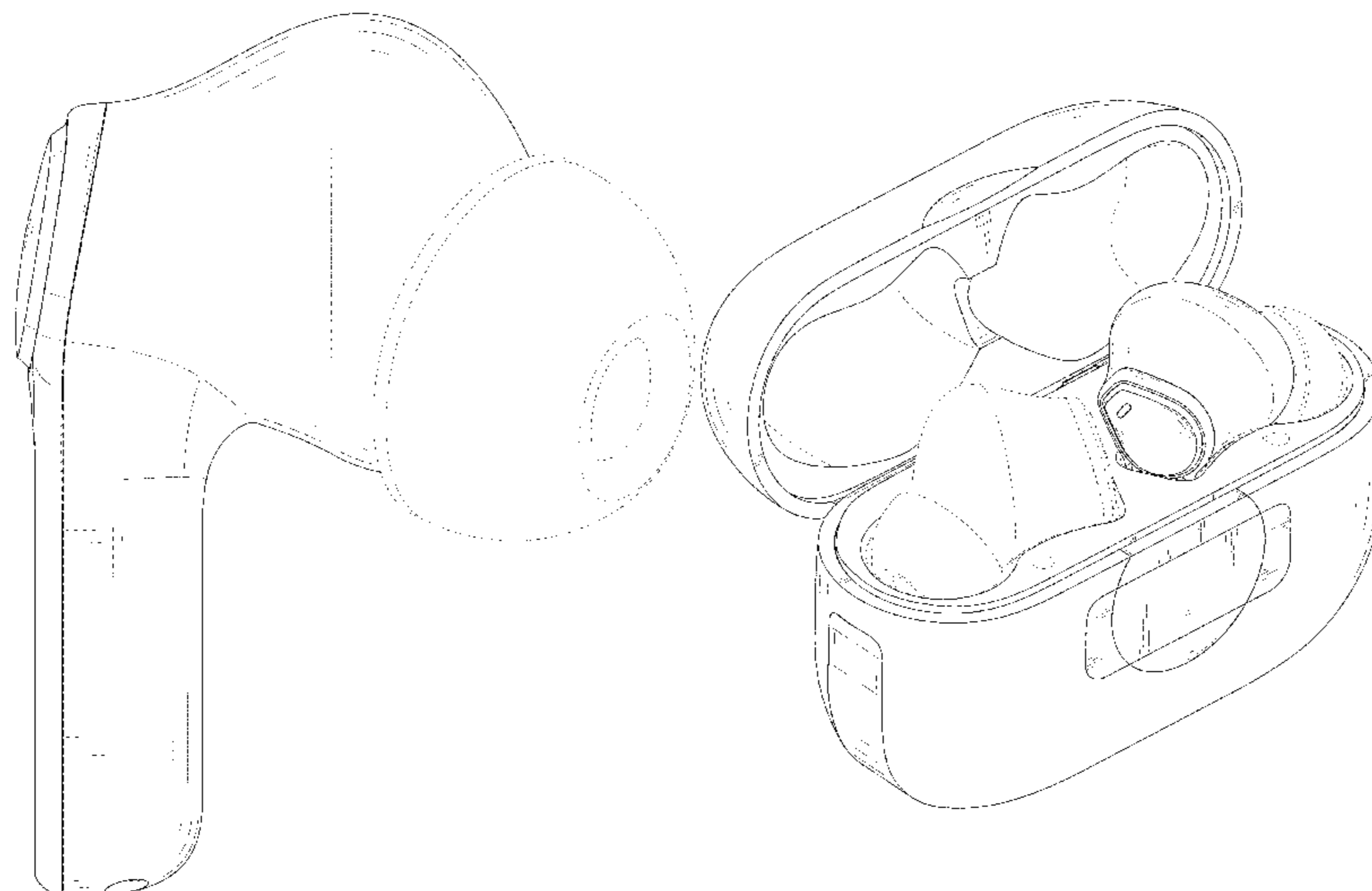
EM 008484588-0001 * 4/2021

OTHER PUBLICATIONS

“Skullcandy Indy Evo”. Found online Jan. 24, 2022 at amazon.com. Reference dated Aug. 4, 2020. Retrieved from <https://technosports.co.in/2020/08/04/skullcandy-indy-evo-full-review-a-seamless-music-experience/>. (Year: 2020).*

(Continued)

1 Claim, 18 Drawing Sheets



(58) **Field of Classification Search**

CPC ... A45C 2011/001; B65D 43/16; H02J 7/0044

See application file for complete search history.

(56) **References Cited**

U.S. PATENT DOCUMENTS

D890,725 S 7/2020 Liu
D893,184 S * 8/2020 Liu D3/294
D895,582 S * 9/2020 Wu D14/223
10,764,699 B1 * 9/2020 Rule G10K 11/17823
D897,678 S * 10/2020 Koh D3/294
D911,944 S 3/2021 Gao
D918,138 S * 5/2021 Ma D13/108
D929,969 S * 9/2021 Ding D3/274
D932,468 S * 10/2021 Xin D14/223
D941,762 S * 1/2022 Ye D13/108
2020/0266640 A1 * 8/2020 Valenzuela H02J 7/0044
2021/0058687 A1 * 2/2021 Liu A45C 11/00
2021/0345031 A1 * 11/2021 DeMaio H04R 1/1025

OTHER PUBLICATIONS

“Yiwa Bluetooth Headphones”. Found online Jan. 24, 2022 at amazon.co.uk. Reference dated Nov. 19, 2019. Retrieved from <https://www.amazon.co.uk/Yiwa-Bluetooth-Headphones-Wireless-Colorful-white/dp/B081NBBTR1>. (Year: 2019).*

“Anker Soundcore Liberty Air 2 Wireless Earbuds”. Found online Jan. 26, 2022 at amazon.com. Reference dated May 31, 2019. Retrieved from https://www.amazon.com/Soundcore-Bluetooth-Earphones-Personalized-Cancelling/dp/B07SKJNCXM/ref=asc_df_B07SKJNCXM/. (Year: 2019).*

* cited by examiner

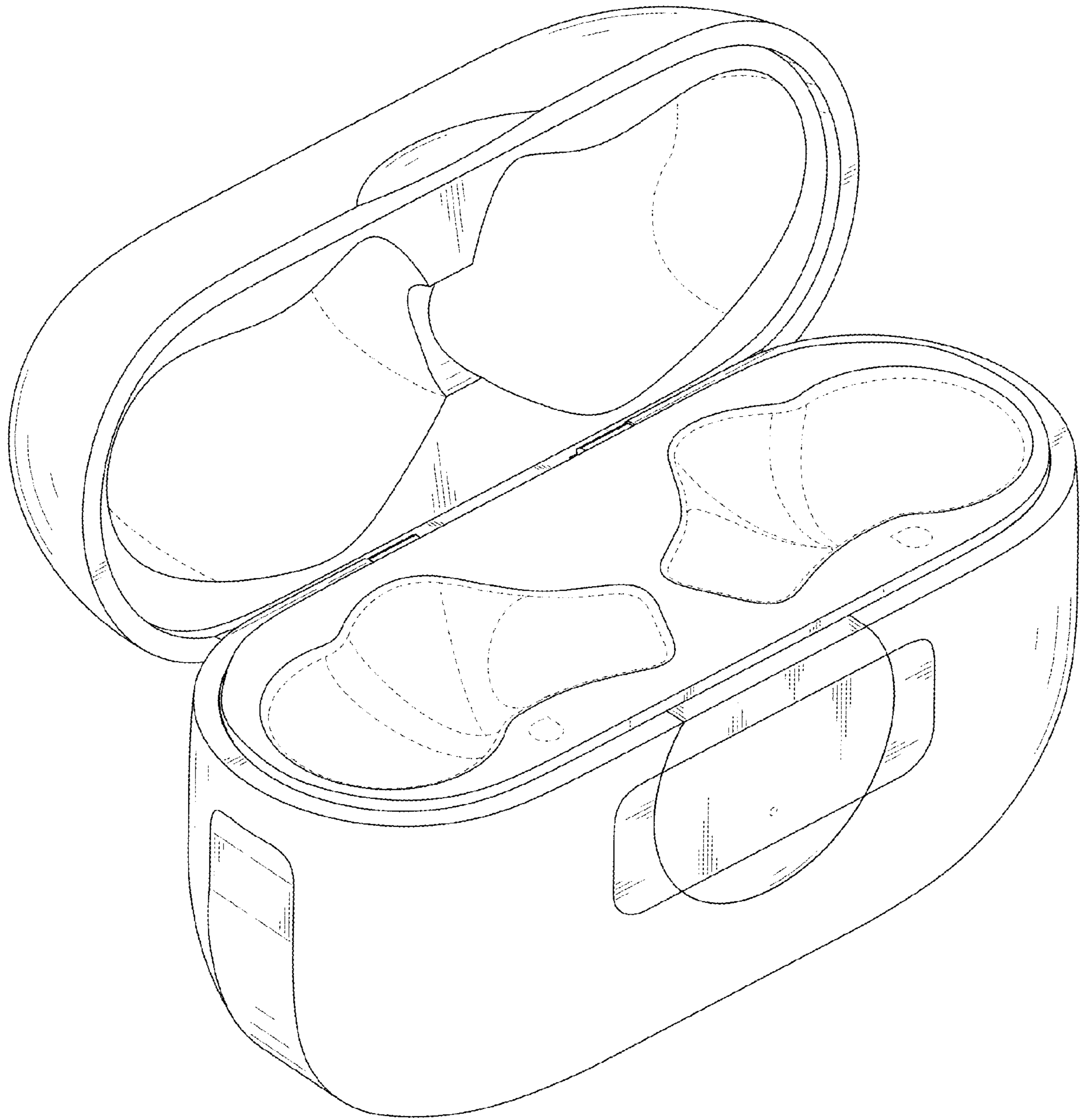


FIG. 1

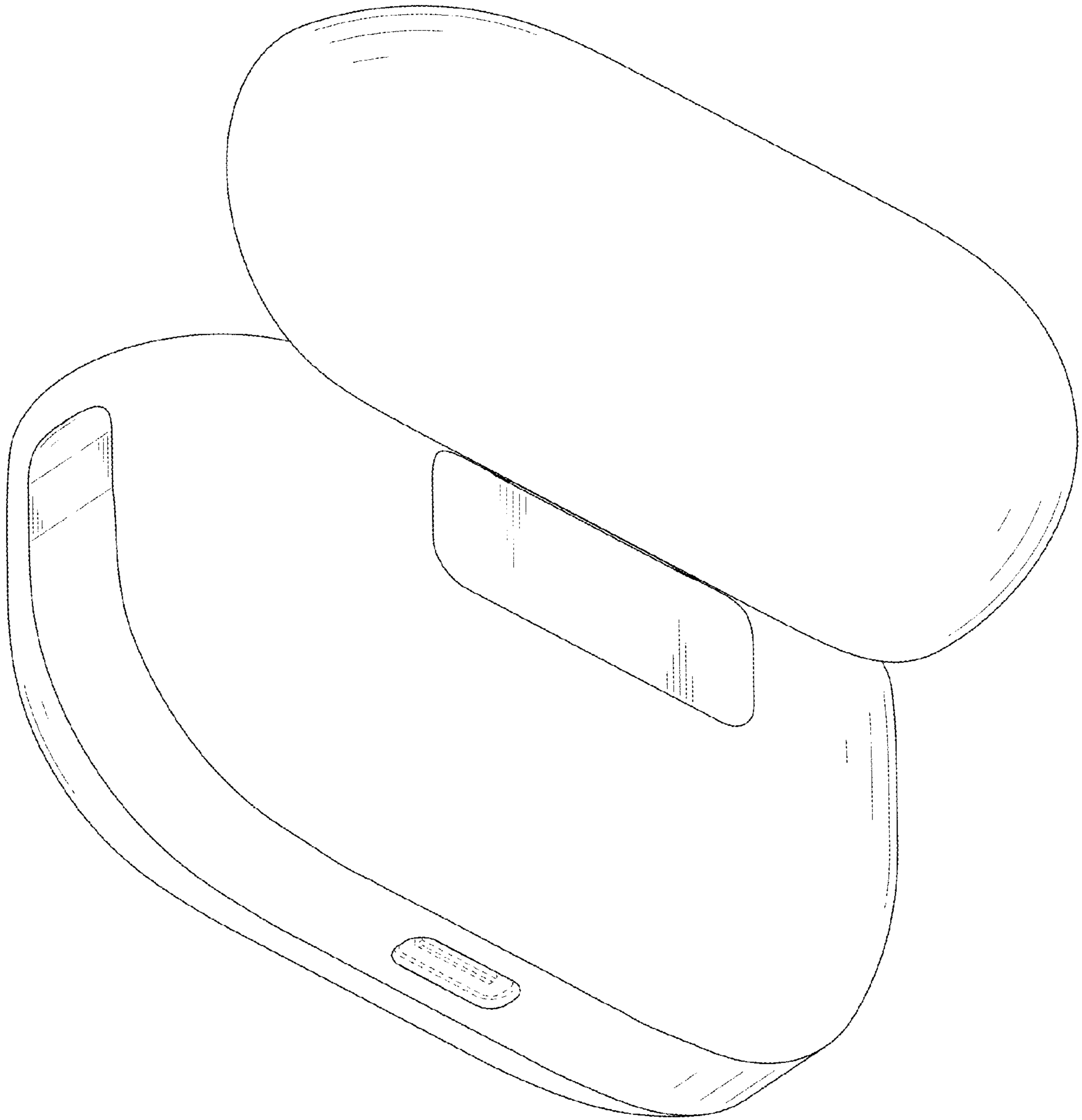


FIG. 2

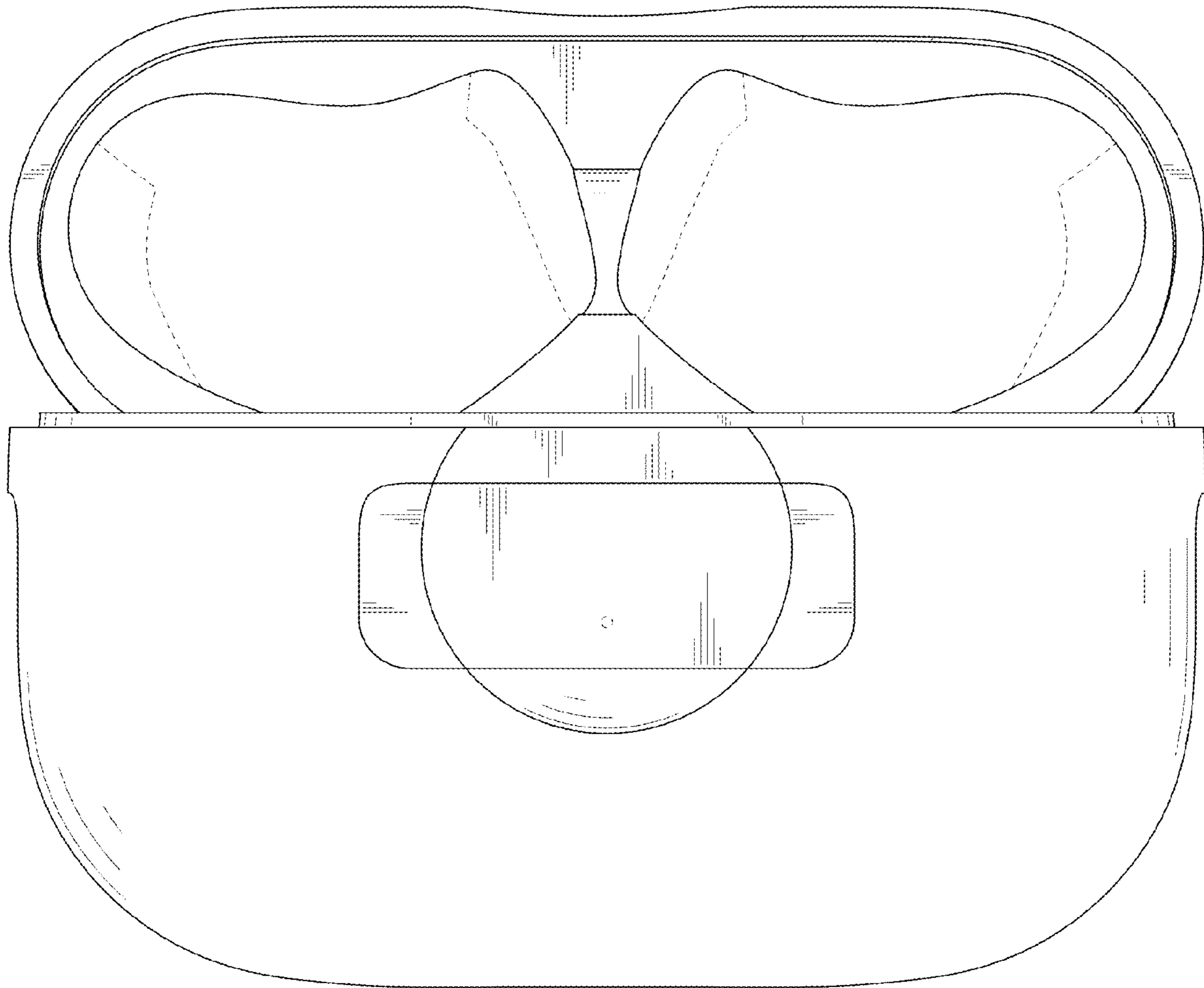


FIG. 3

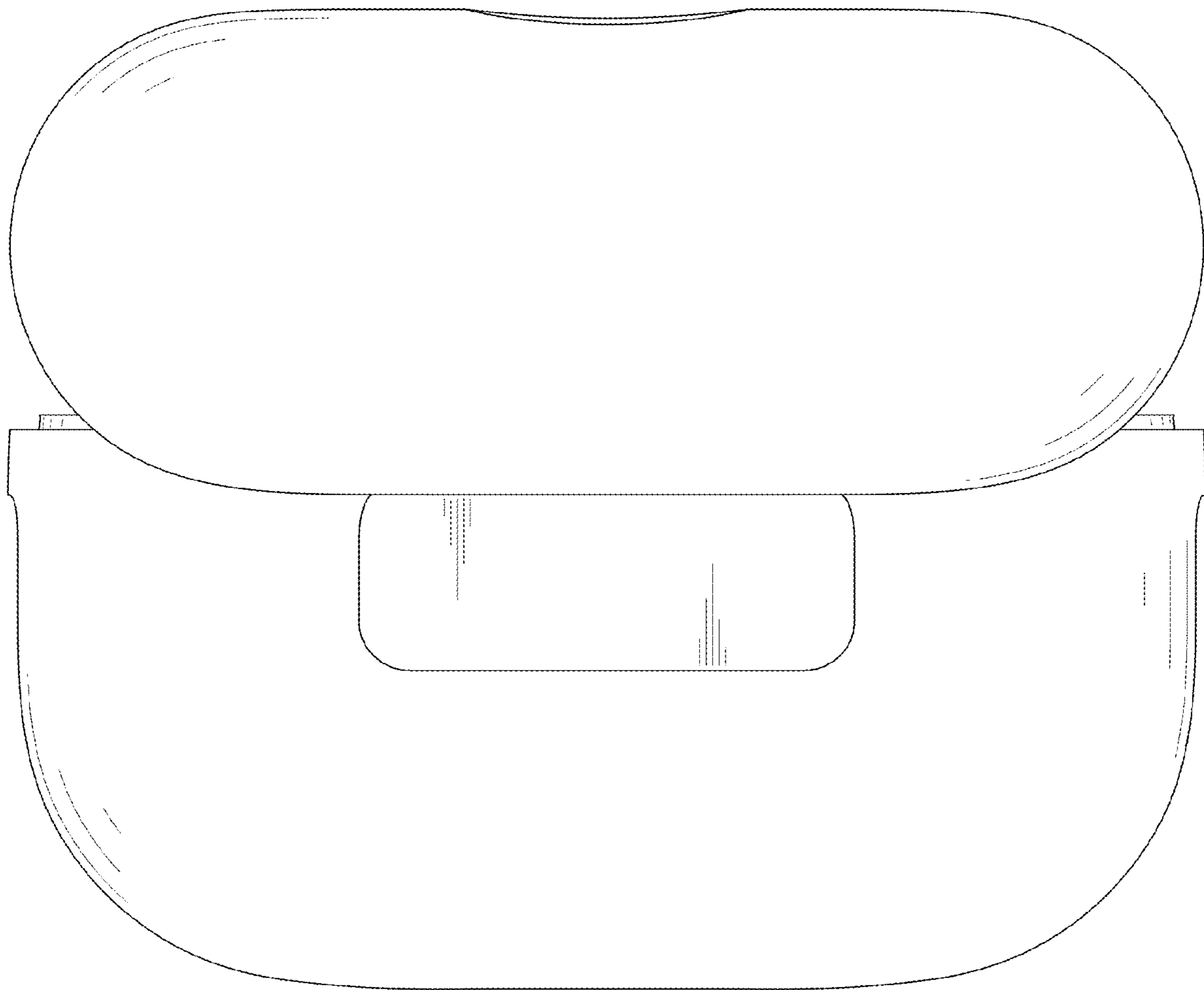


FIG. 4

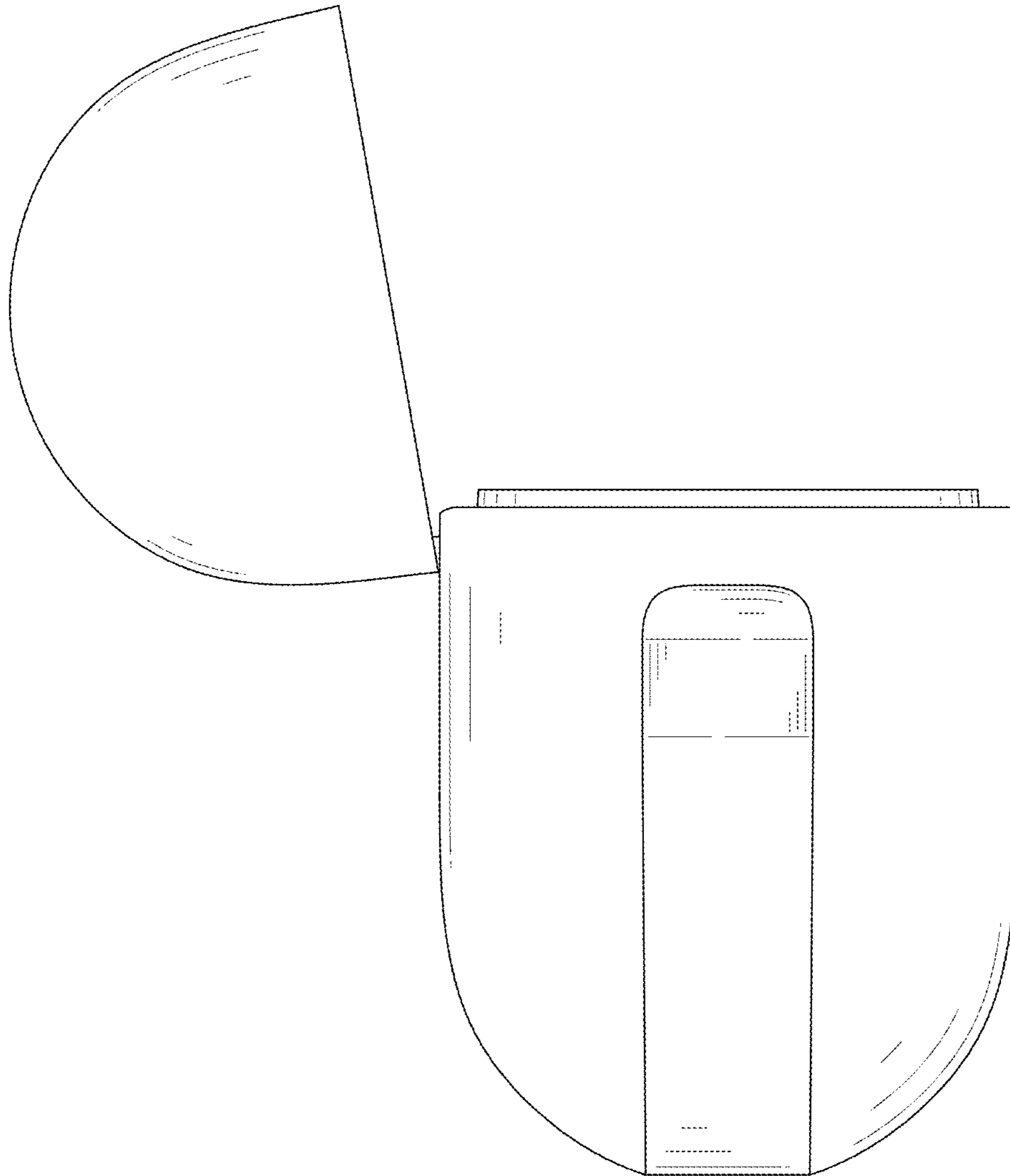


FIG. 5

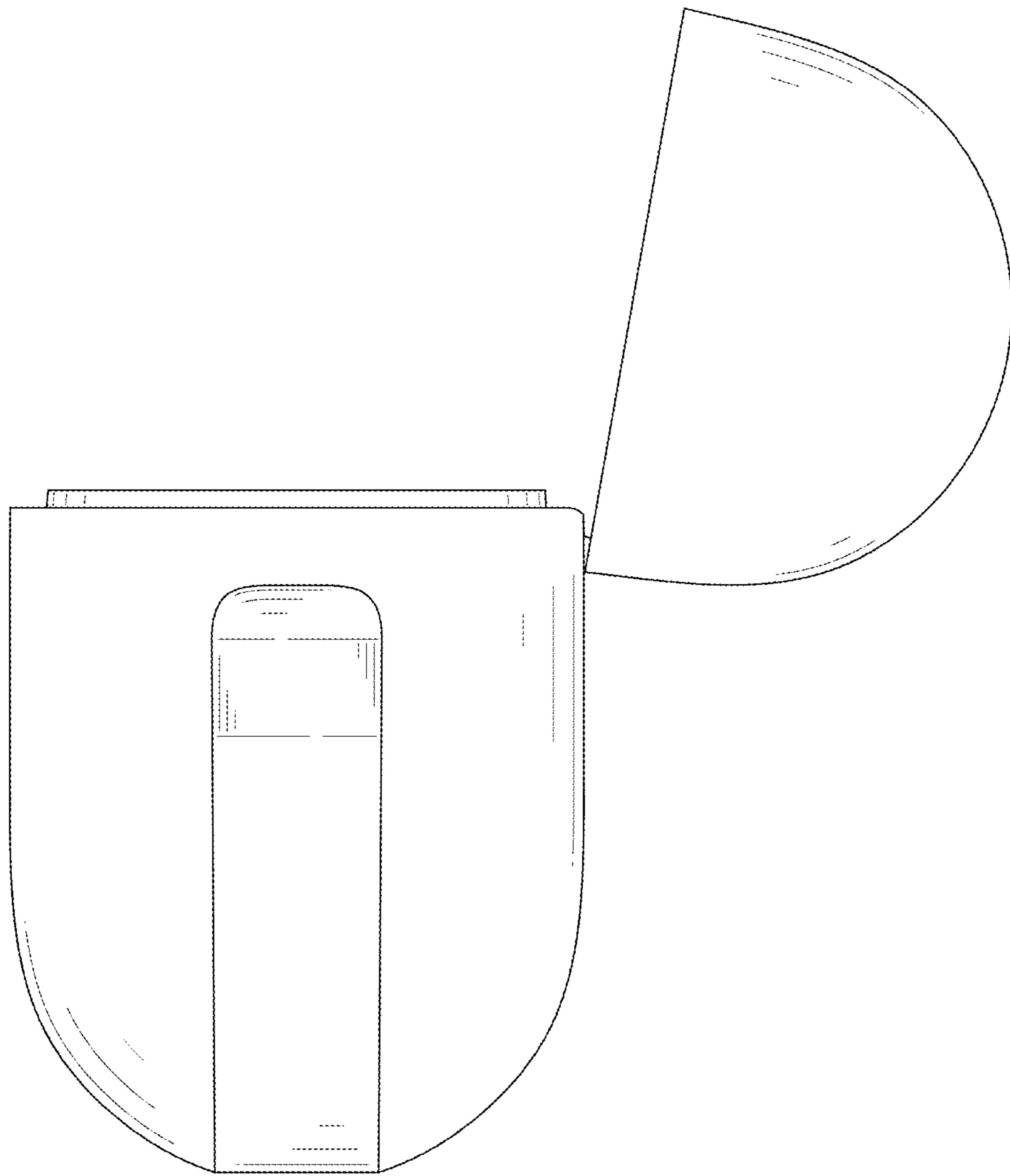


FIG. 6

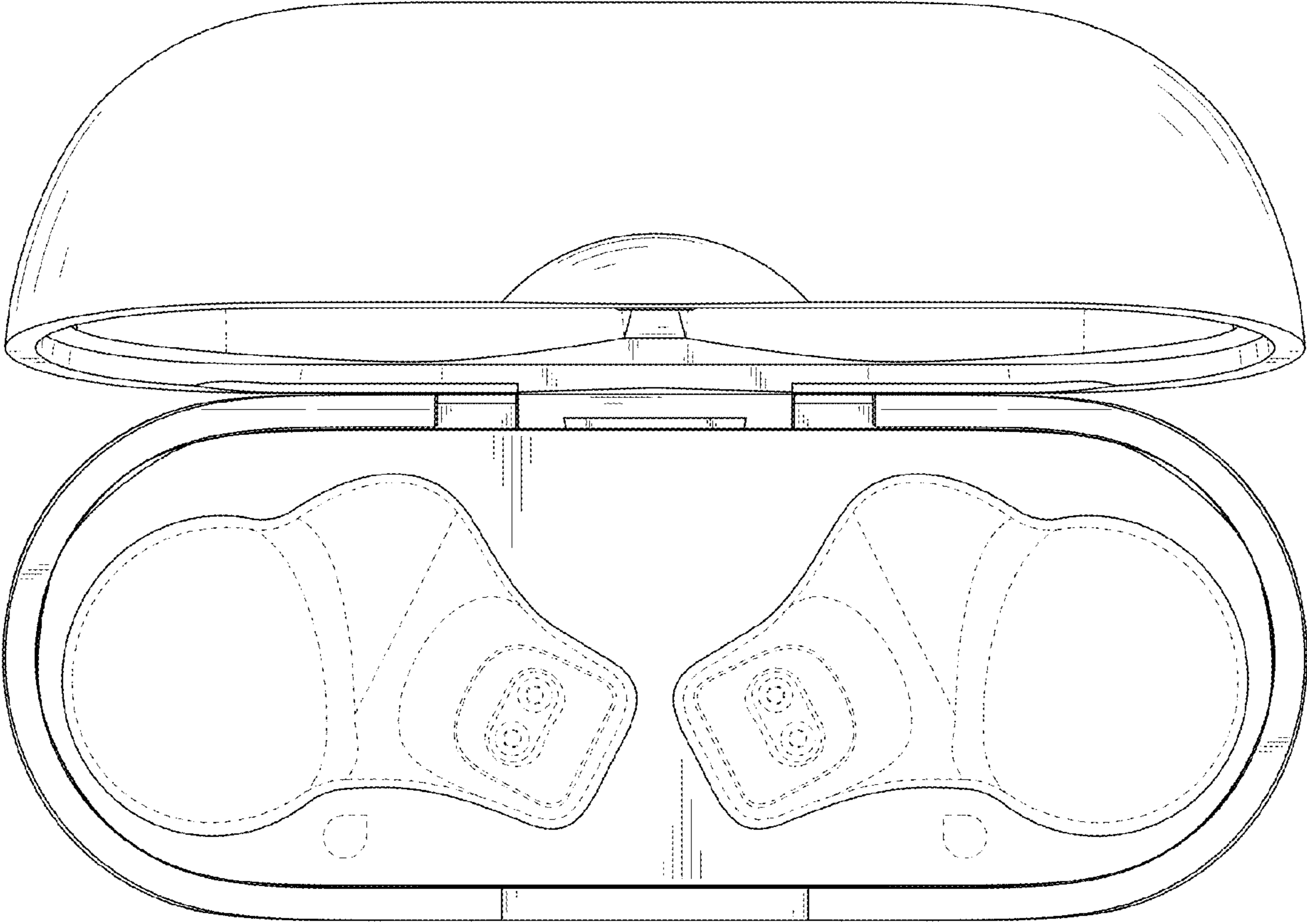


FIG. 7

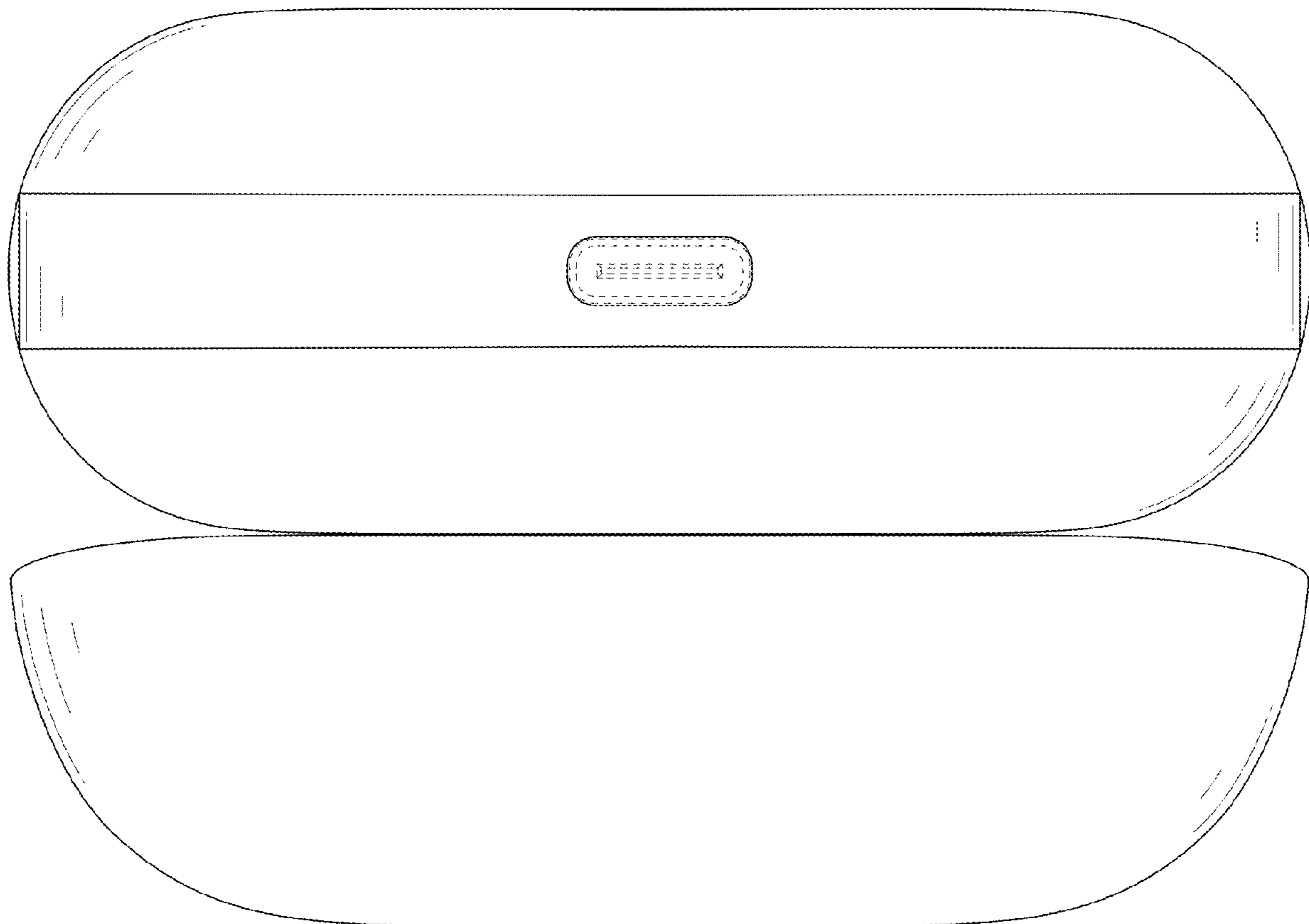


FIG. 8

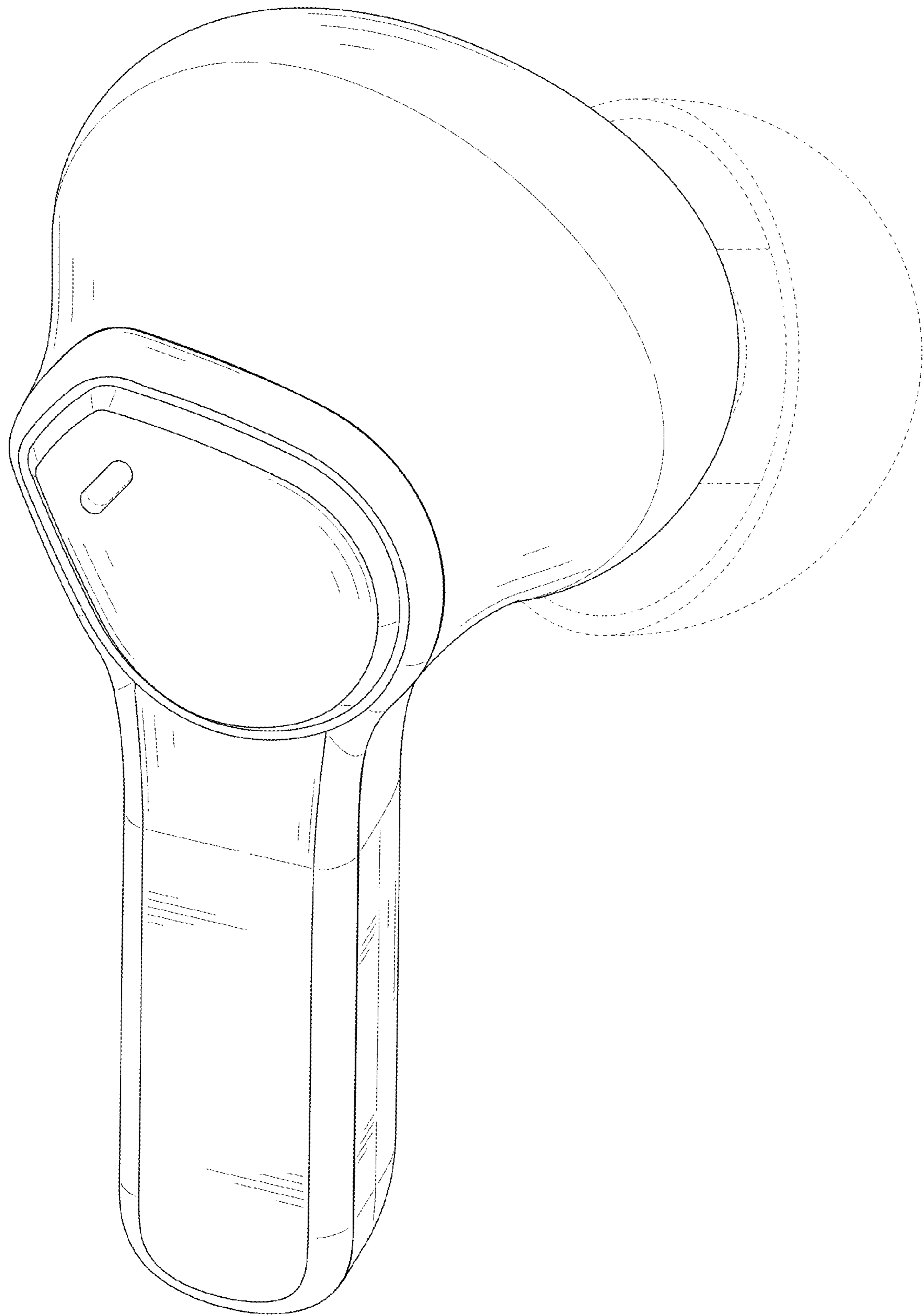


FIG. 9

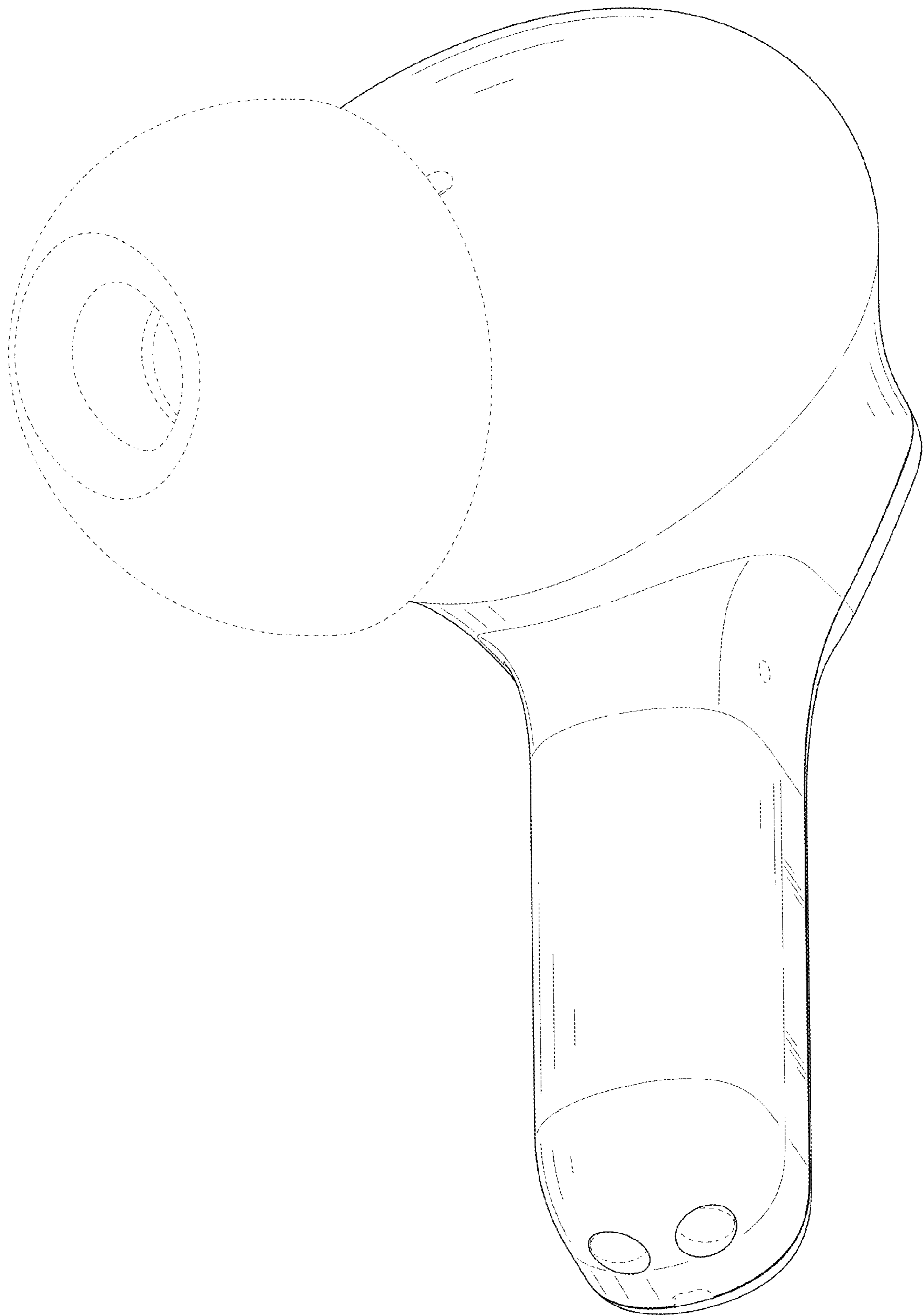


FIG. 10

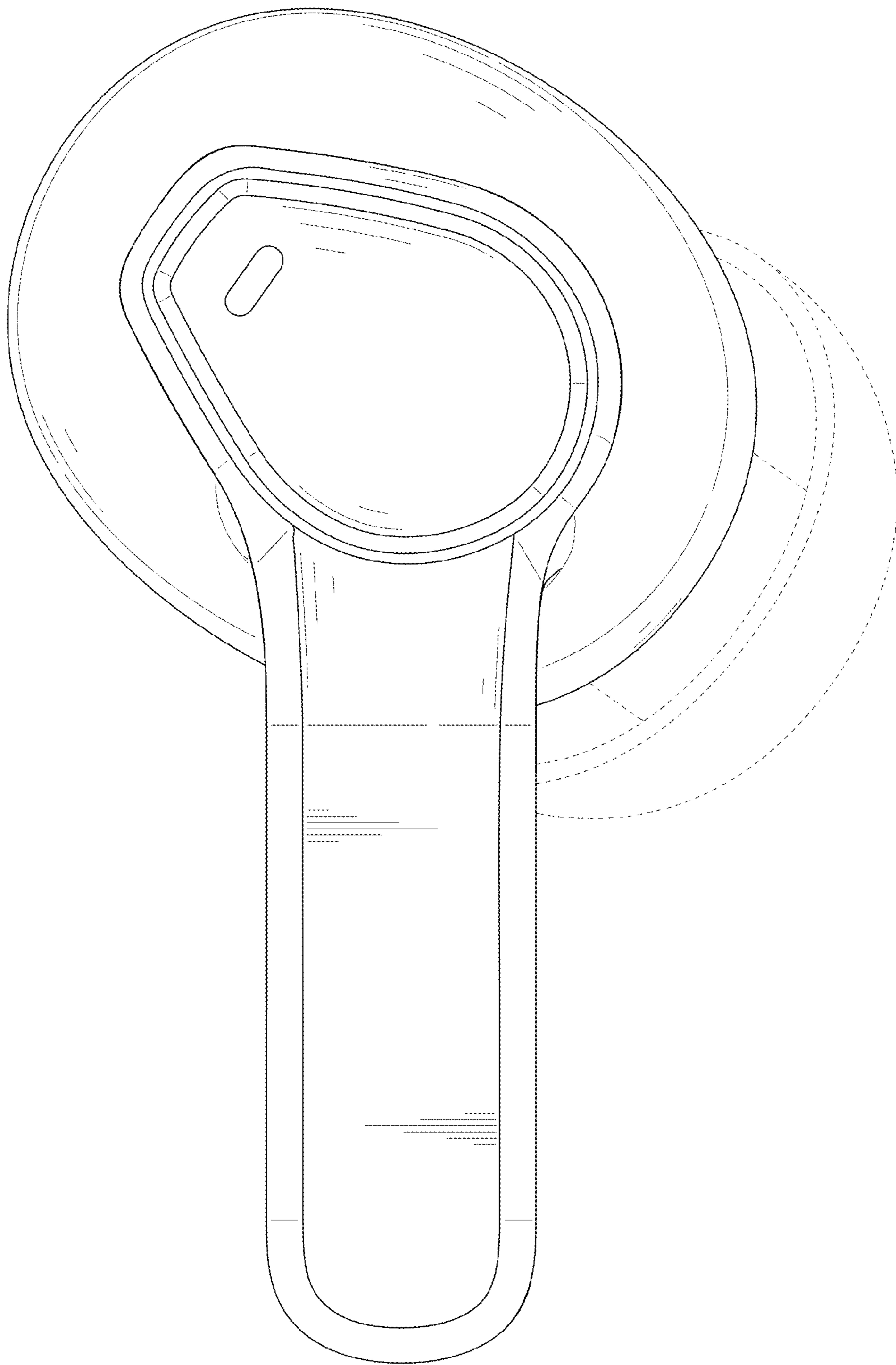


FIG. 11

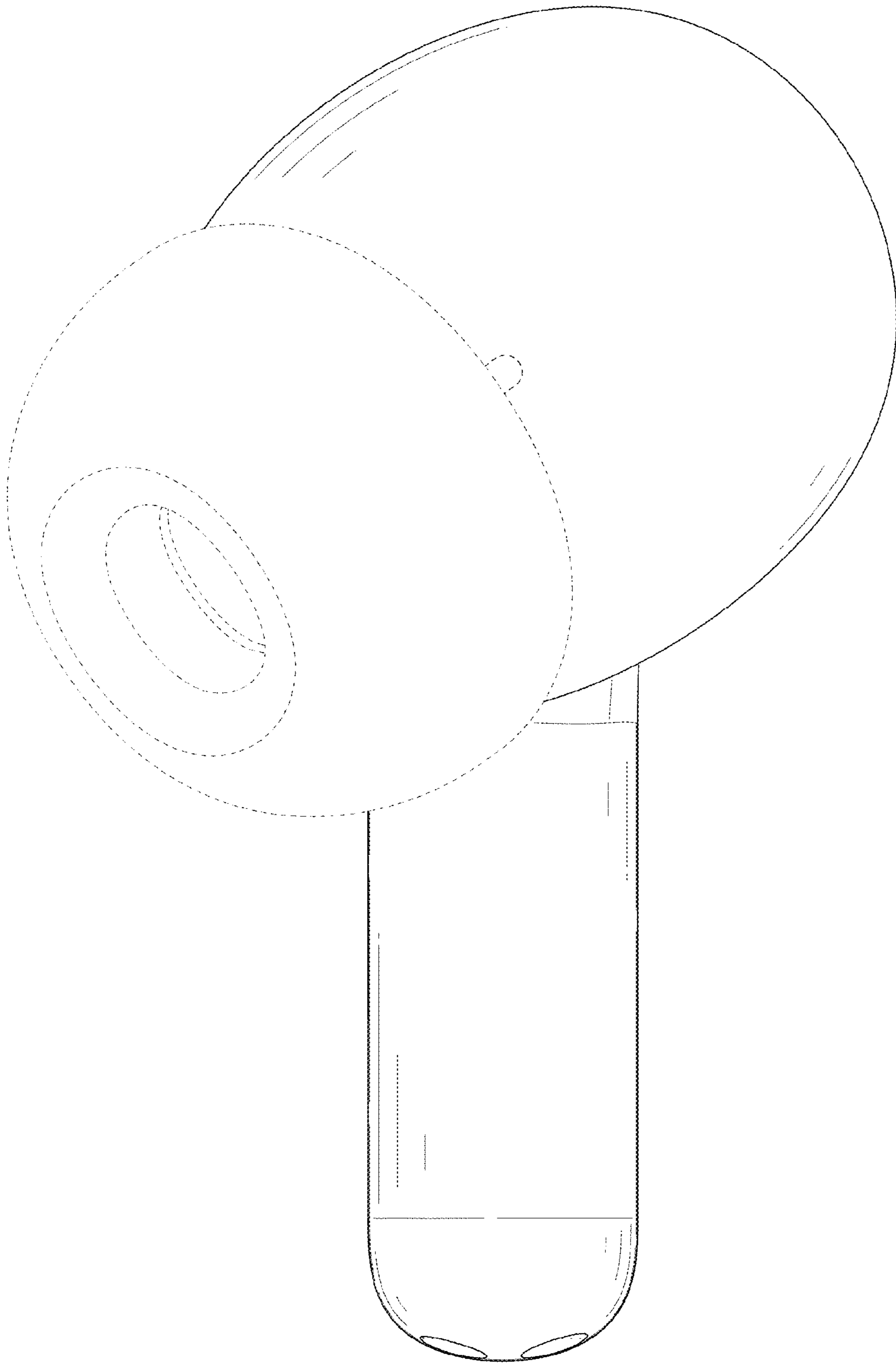


FIG. 12

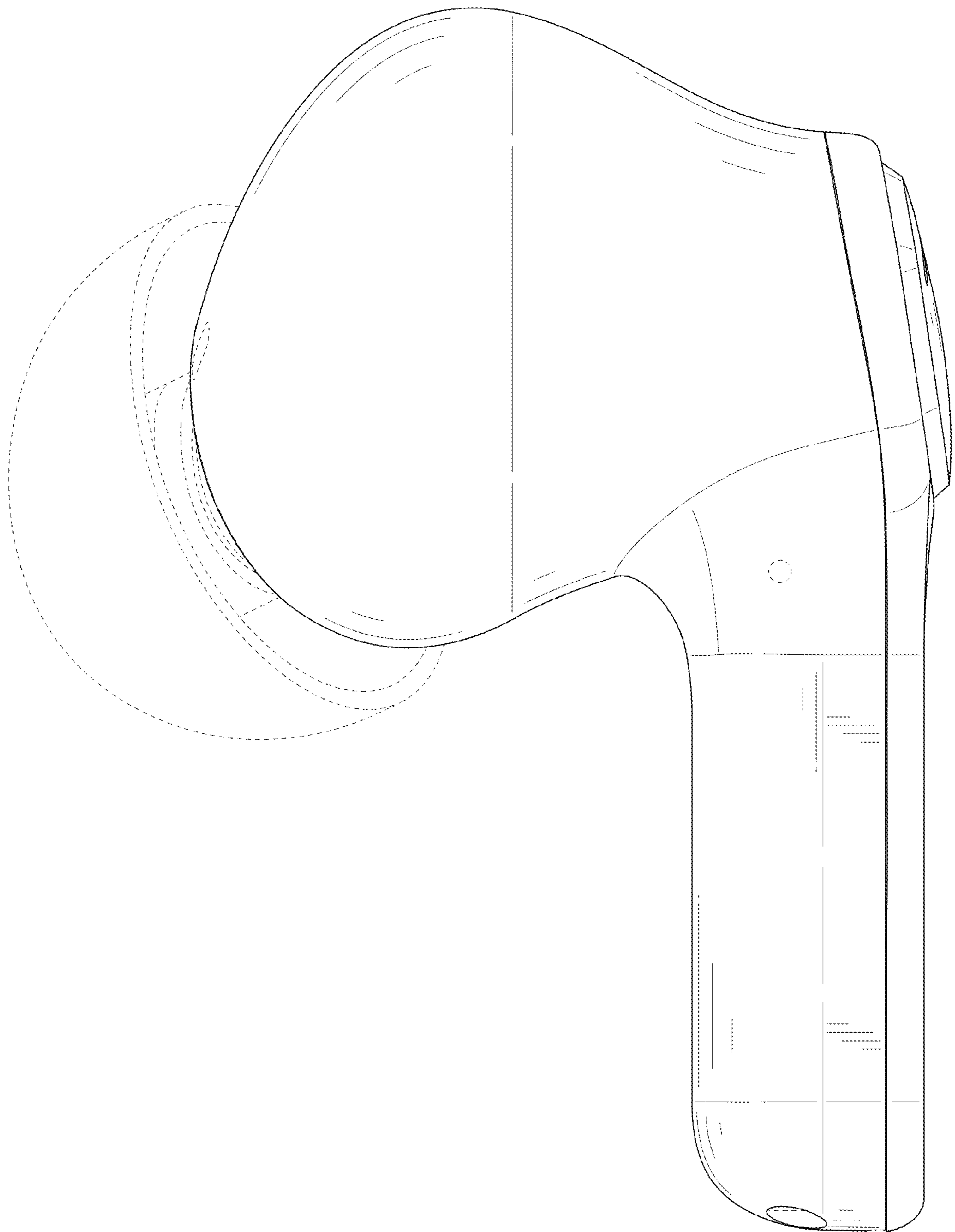


FIG. 13

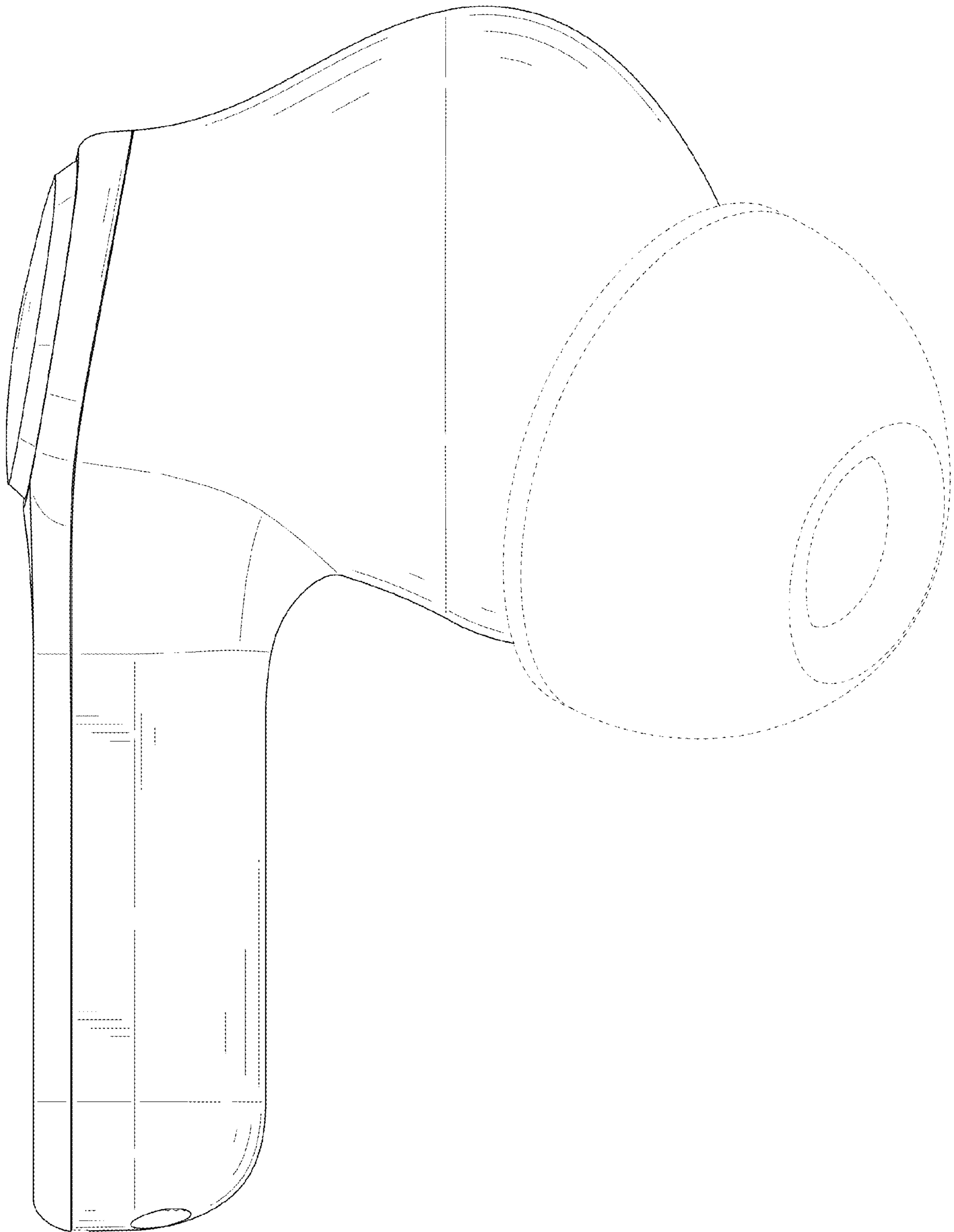


FIG. 14

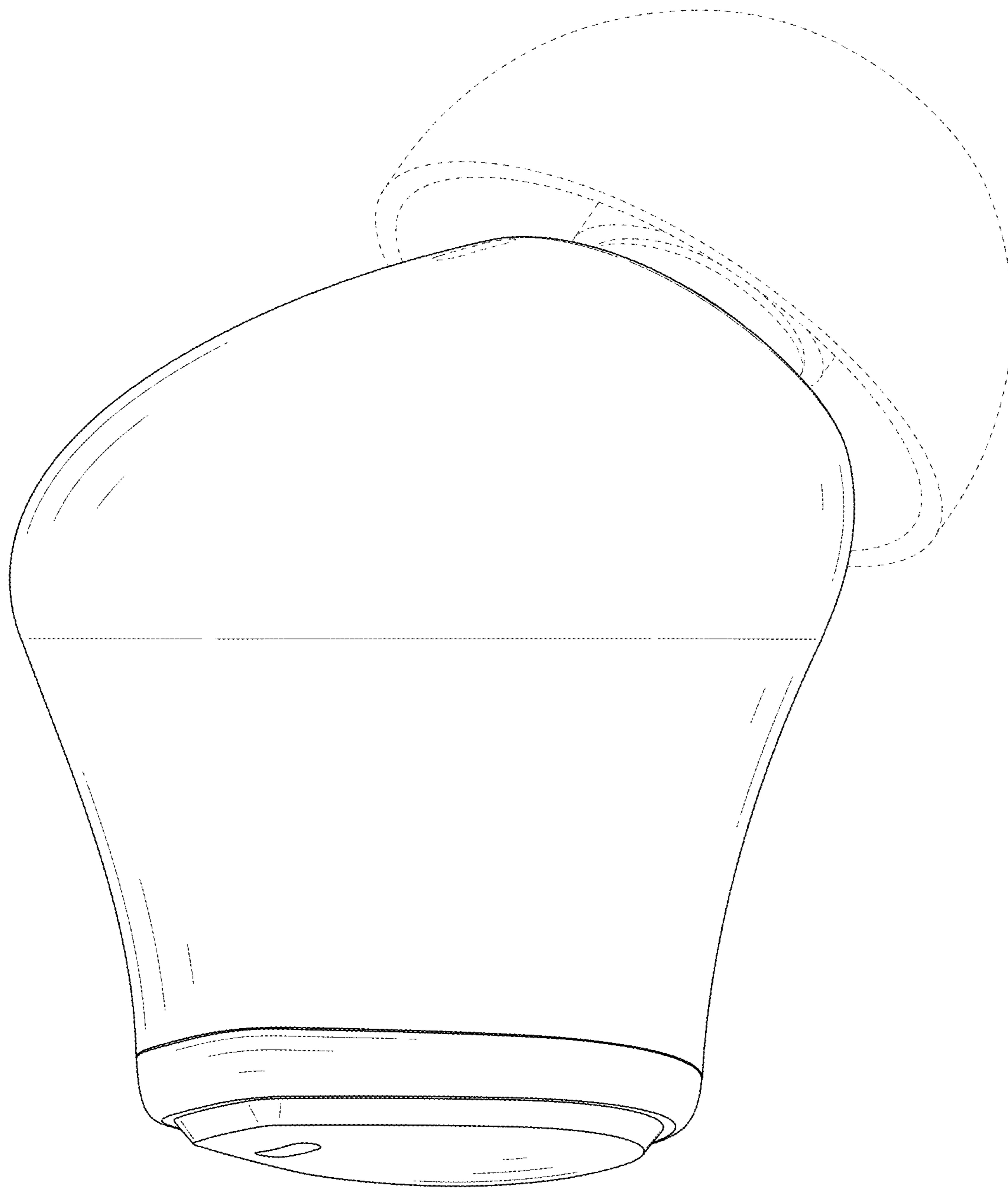


FIG. 15

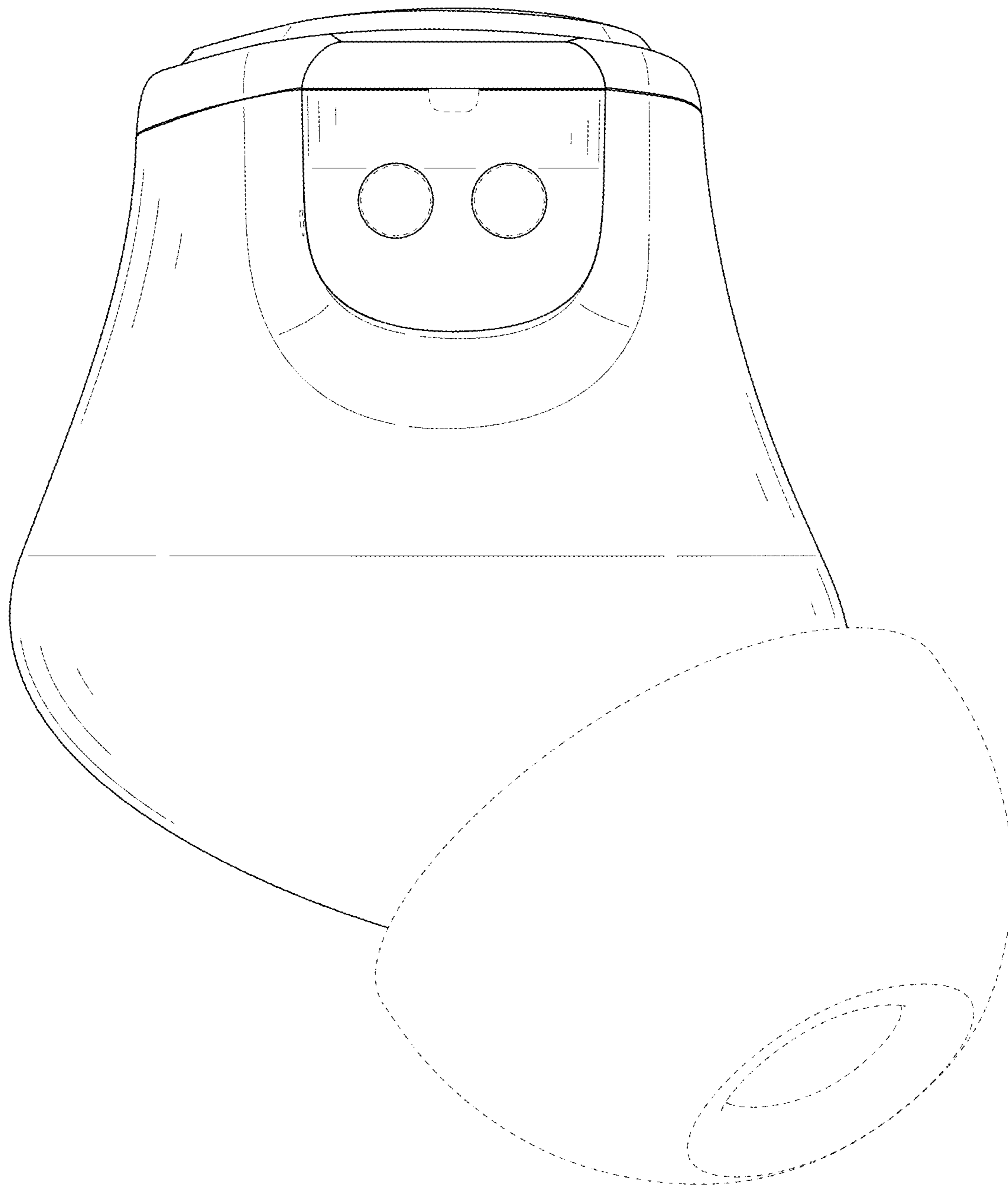


FIG. 16

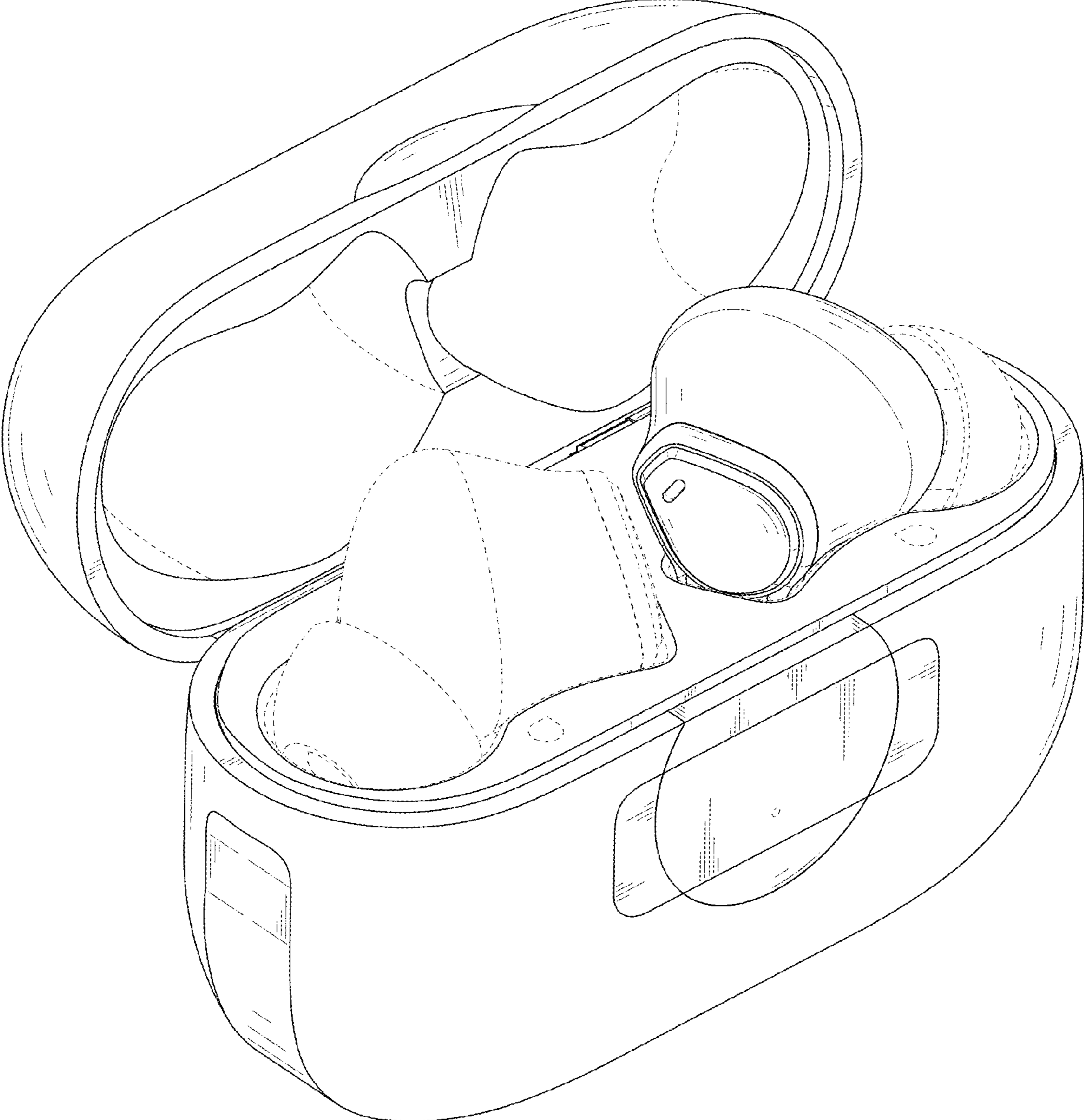


FIG. 17

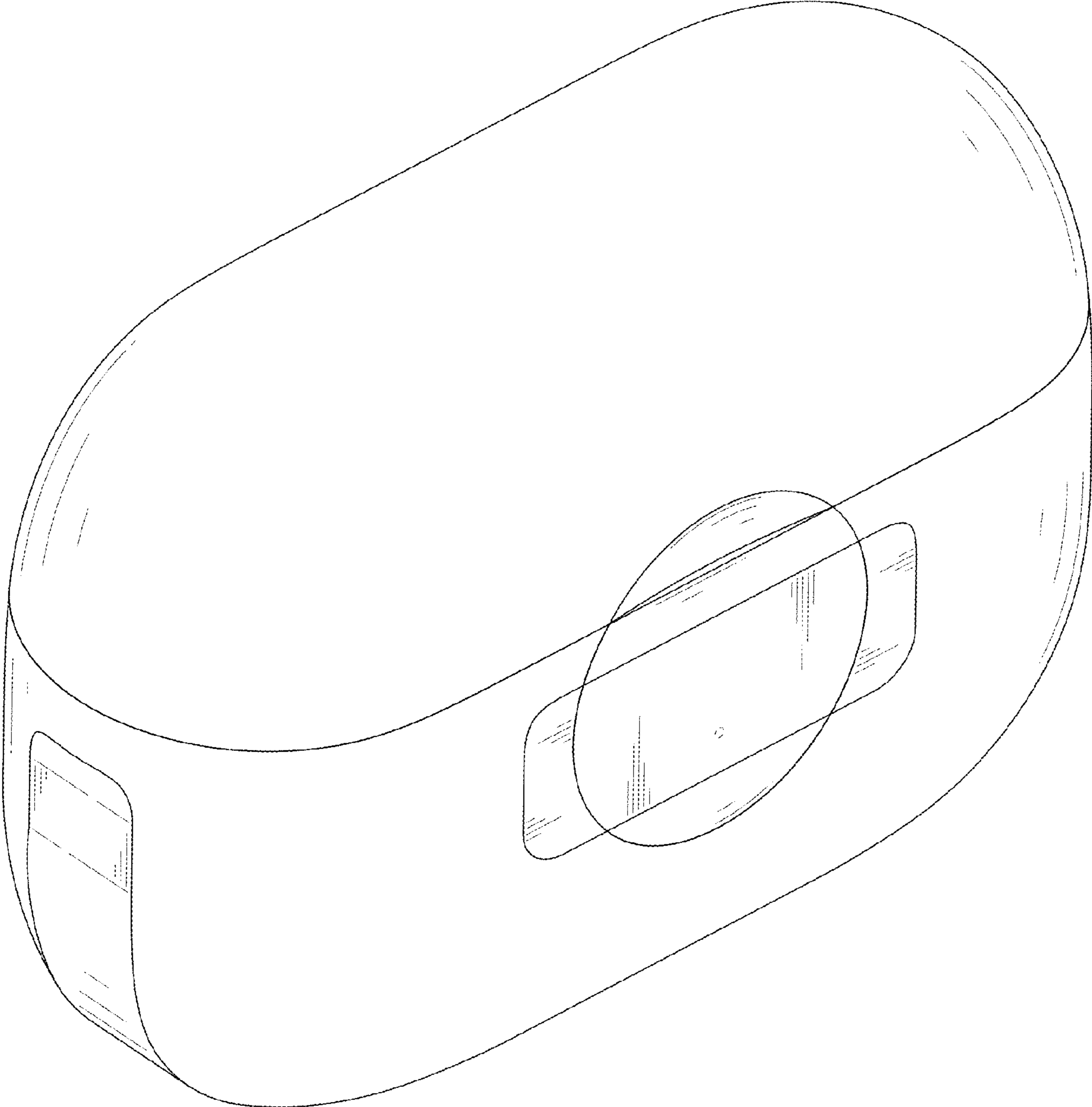


FIG. 18