



US00D961507S

(12) **United States Design Patent** (10) **Patent No.:** **US D961,507 S**
Lai (45) **Date of Patent:** **** Aug. 23, 2022**

(54) **WIRELESS CHARGER**

(71) Applicant: **Shenzhen Earteana Technology Co., Ltd.**, Shenzhen (CN)
(72) Inventor: **Minglin Lai**, Shenzhen (CN)
(**) Term: **15 Years**
(21) Appl. No.: **29/765,213**
(22) Filed: **Jan. 6, 2021**
(51) **LOC (13) Cl.** **13-02**
(52) **U.S. Cl.**
USPC **D13/108**
(58) **Field of Classification Search**
USPC D13/103, 107, 108, 118, 119; D14/224,
D14/240, 251, 253, 432, 433, 434, 447
CPC H04B 1/3877; H02J 7/0049; H02J 15/00
See application file for complete search history.

OTHER PUBLICATIONS

“Earteana Charging Station”. Found online Apr. 5, 2022 at u-buy.jp. Reference dated Jul. 21, 2021. Retrieved from <https://www.u-buy.jp/en/product/4212YKFEO-wireless-charging-stand-2021-earteana-upgraded-3-in-1-charging-station-qi-certified-15w-fast-wireless-charger-dock-compatible-with-iphone-12-11>. (Year: 2021).*
“Geekera Wireless Charging Stand”. Found online Sep. 8, 2021 at amazon.com. Reference dated Jan. 12, 2020. Retrieved from <https://www.amazon.com/Wireless-Charging-GEEKERA-Charger-Qi-Certified/dp/B083S8418Z>. (Year: 2020).*
“Zhike Wireless Charger”. Found online Sep. 27, 2021 at amazon.com. Reference dated Dec. 30, 2019. Retrieved from https://www.amazon.com/Wireless-ZHIKE-Charging-Qi-Certified-Compatible/dp/B083BB4VBD/ref=pd_di_sccai_7/133-2581771-1988754. (Year: 2019).*

* cited by examiner

Primary Examiner — Kendra Leslie Hamilton
Assistant Examiner — Amanda Christensen

(56) **References Cited**

U.S. PATENT DOCUMENTS

D717,289 S *	11/2014	Takabatake	D14/423
D753,057 S *	4/2016	Kubo	D13/108
D776,053 S *	1/2017	Barnard	D13/108
D788,080 S *	5/2017	Turksu	D14/224
D860,993 S *	9/2019	McDermott	D14/420
D915,388 S *	4/2021	Carlsen	D14/251
D920,237 S *	5/2021	Huang	D13/108
D931,211 S *	9/2021	Cheng	D13/108
D934,172 S *	10/2021	Lin	D13/118
D944,198 S *	2/2022	Wu	D13/108
2007/0135174 A1 *	6/2007	Musk	H02J 7/0044 455/569.1
2008/0234856 A1 *	9/2008	Saez	F16M 11/041 700/182
2019/0327351 A1 *	10/2019	Clarke	H04M 1/6066

FOREIGN PATENT DOCUMENTS

CA 2990913 A1 * 7/2018 A47C 7/725

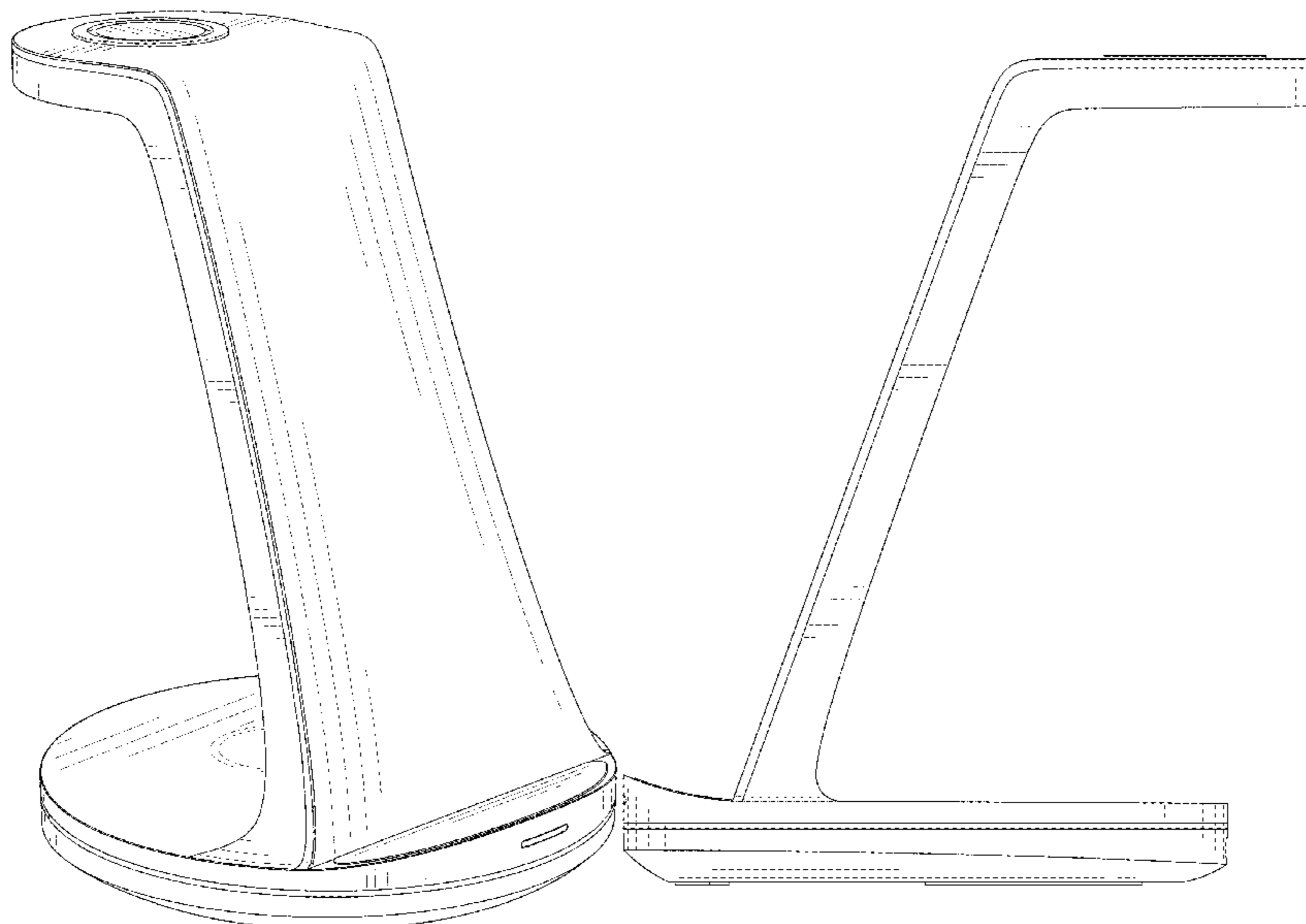
(57) **CLAIM**

The ornamental design for a wireless charger, as shown and described.

DESCRIPTION

FIG. 1 is a front, left side and top perspective view of a wireless charger, showing my new design;
FIG. 2 is a front and top perspective view thereof;
FIG. 3 is a front elevation view thereof;
FIG. 4 is a rear elevation view thereof;
FIG. 5 is a left side elevation view thereof;
FIG. 6 is a right side elevation view thereof;
FIG. 7 is a top plan view thereof; and,
FIG. 8 is a bottom plan view thereof.
The broken lines in the figures illustrate portions of the wireless charger that form no part of the claimed design.

1 Claim, 8 Drawing Sheets



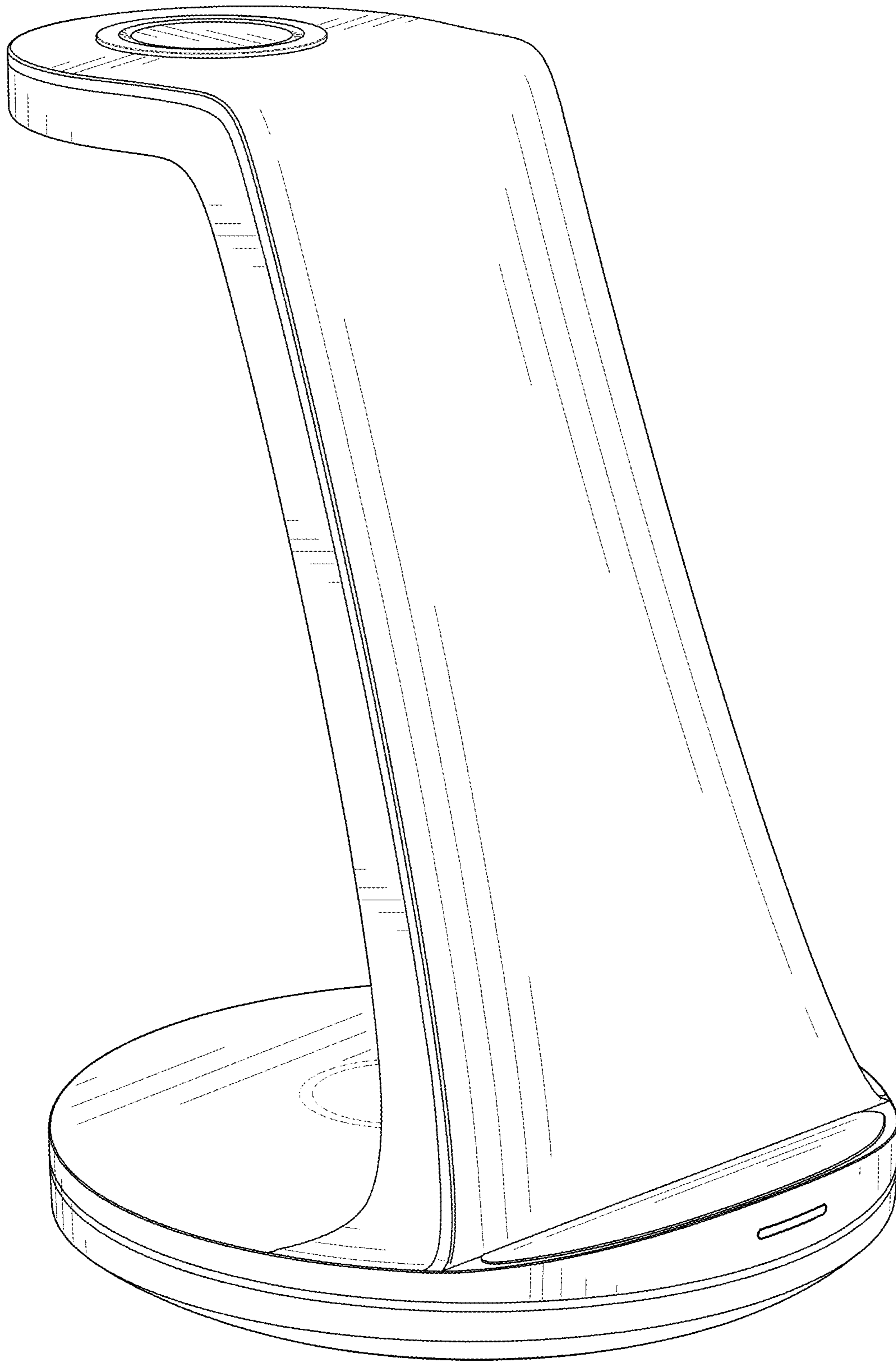


FIG. 1

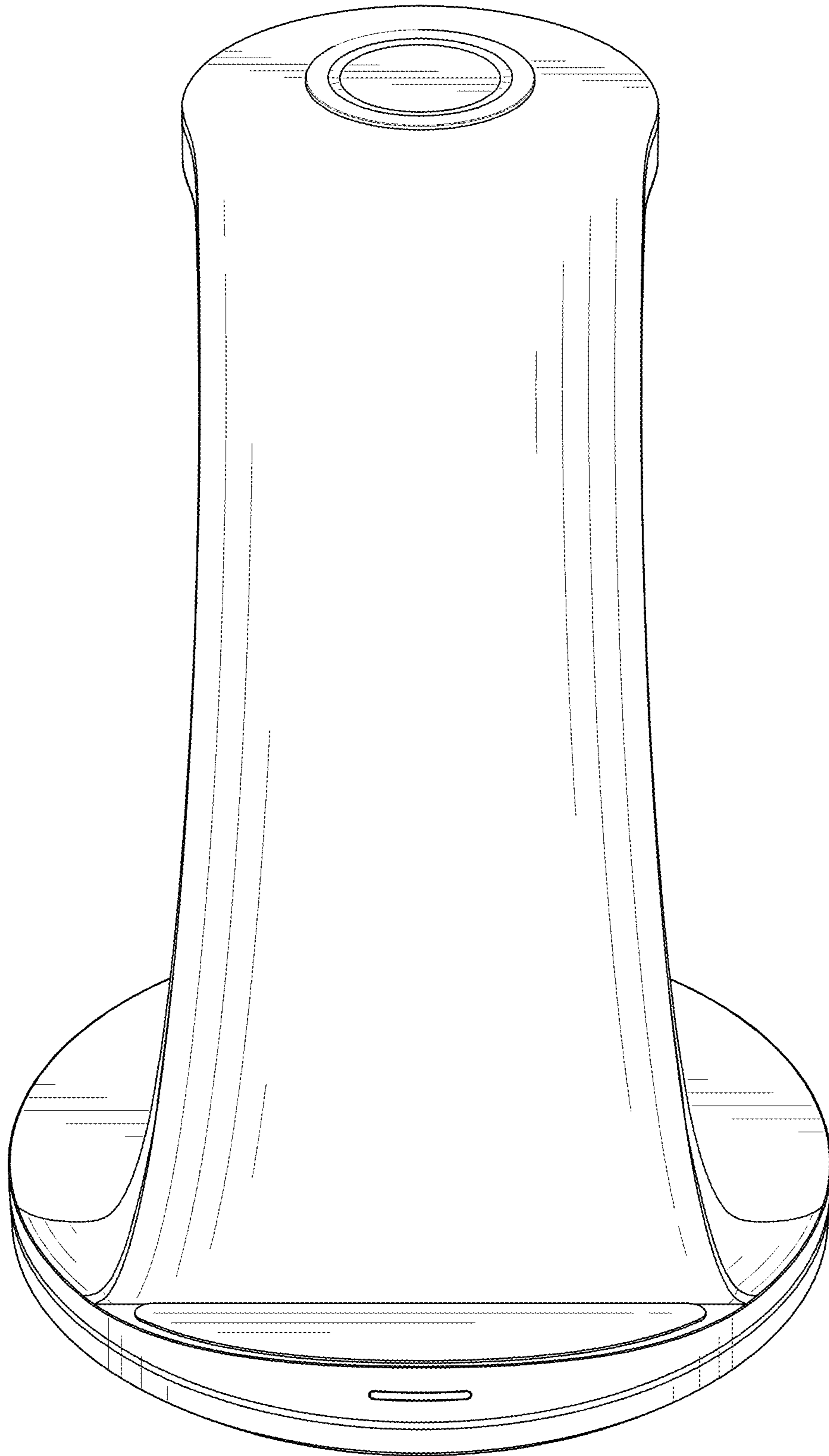


FIG. 2

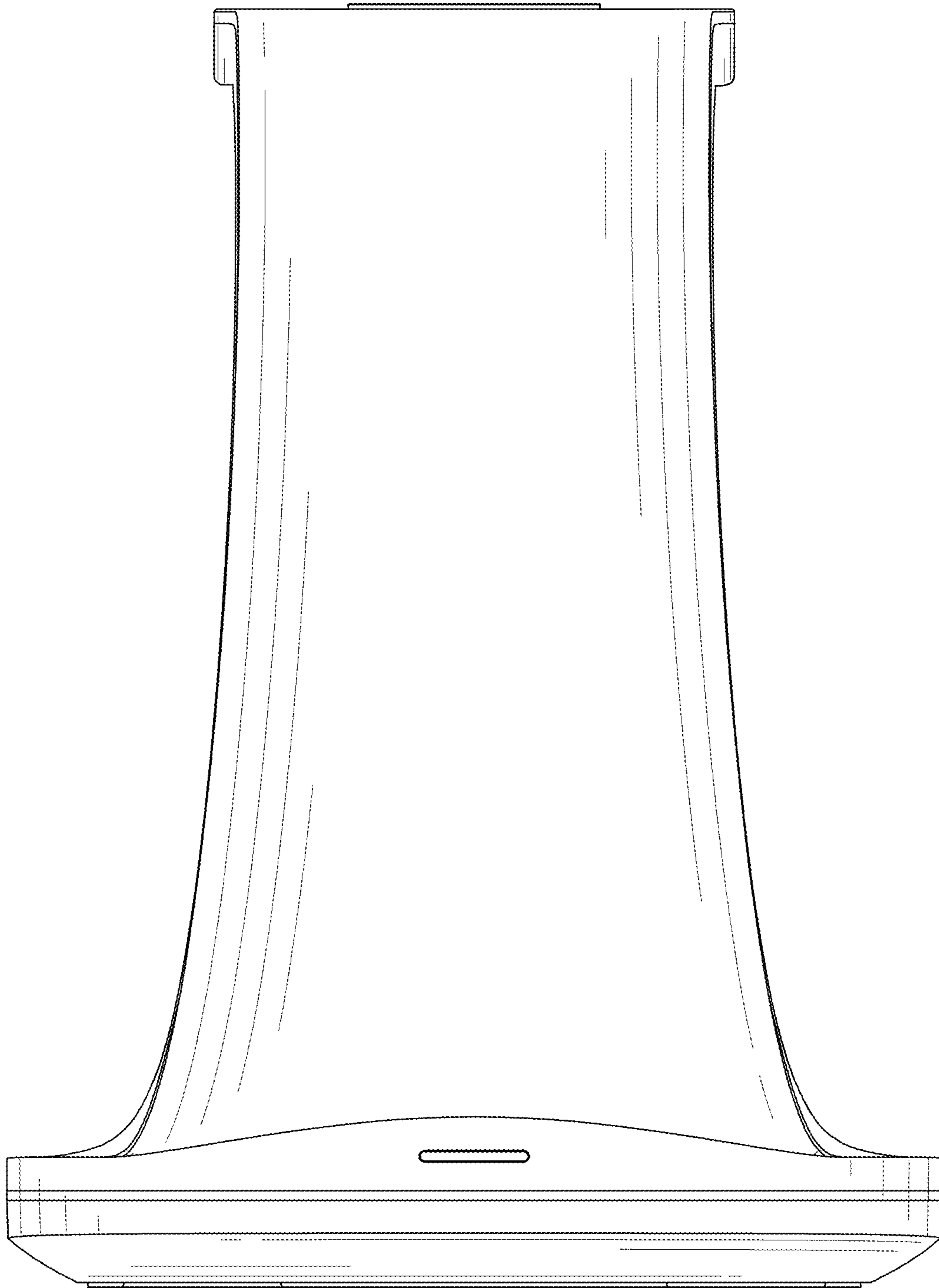


FIG. 3



FIG. 4

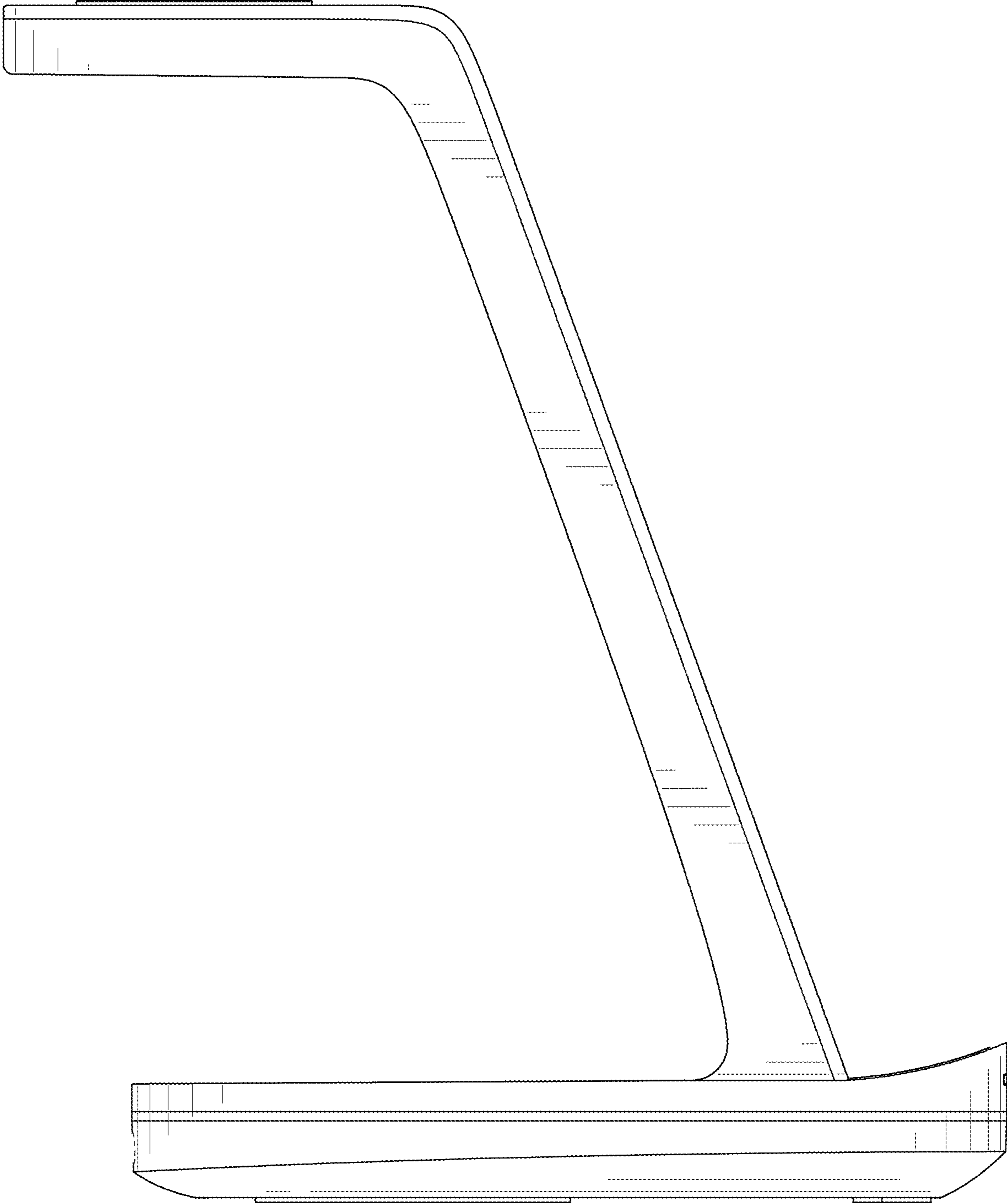


FIG. 5

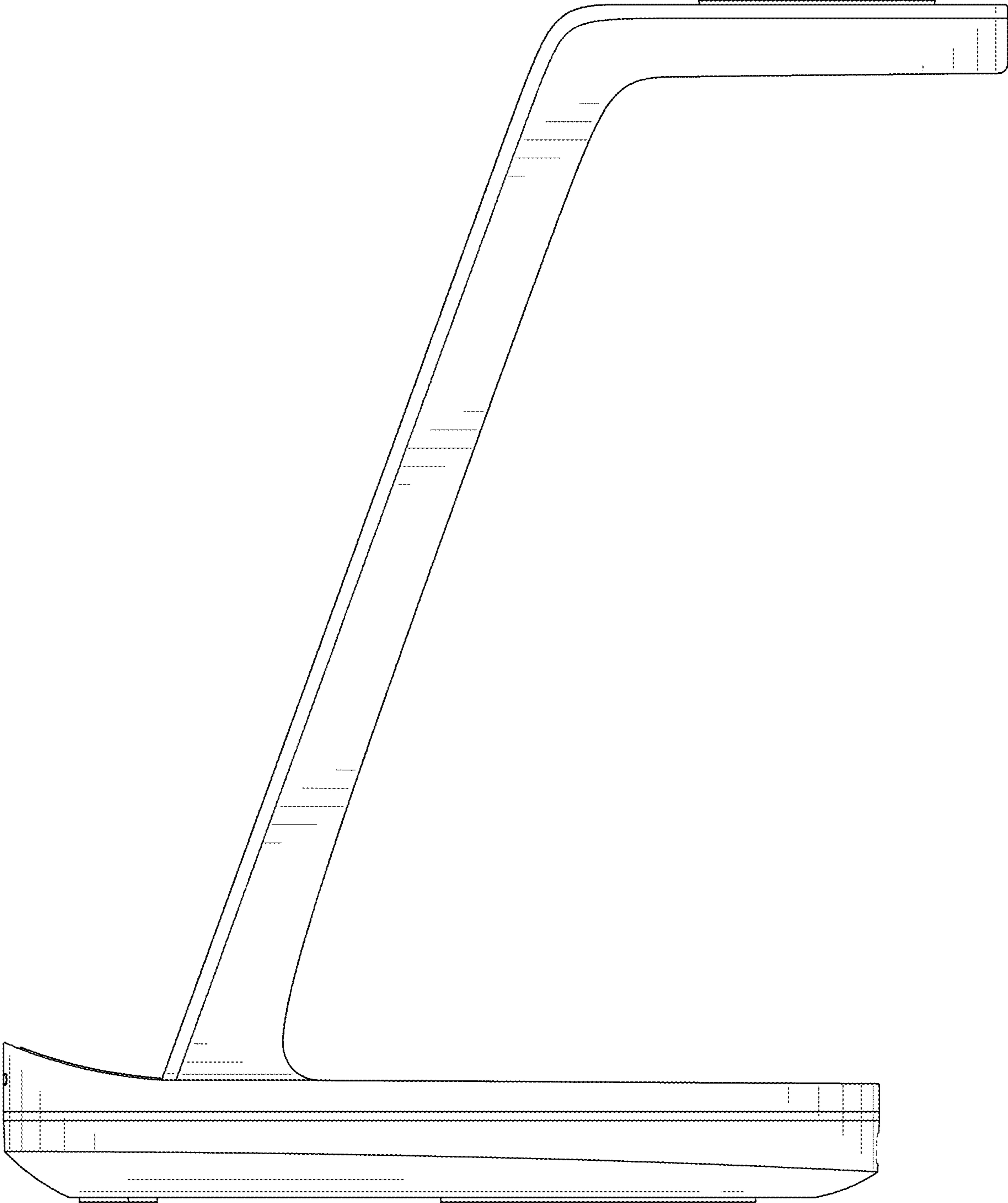


FIG. 6

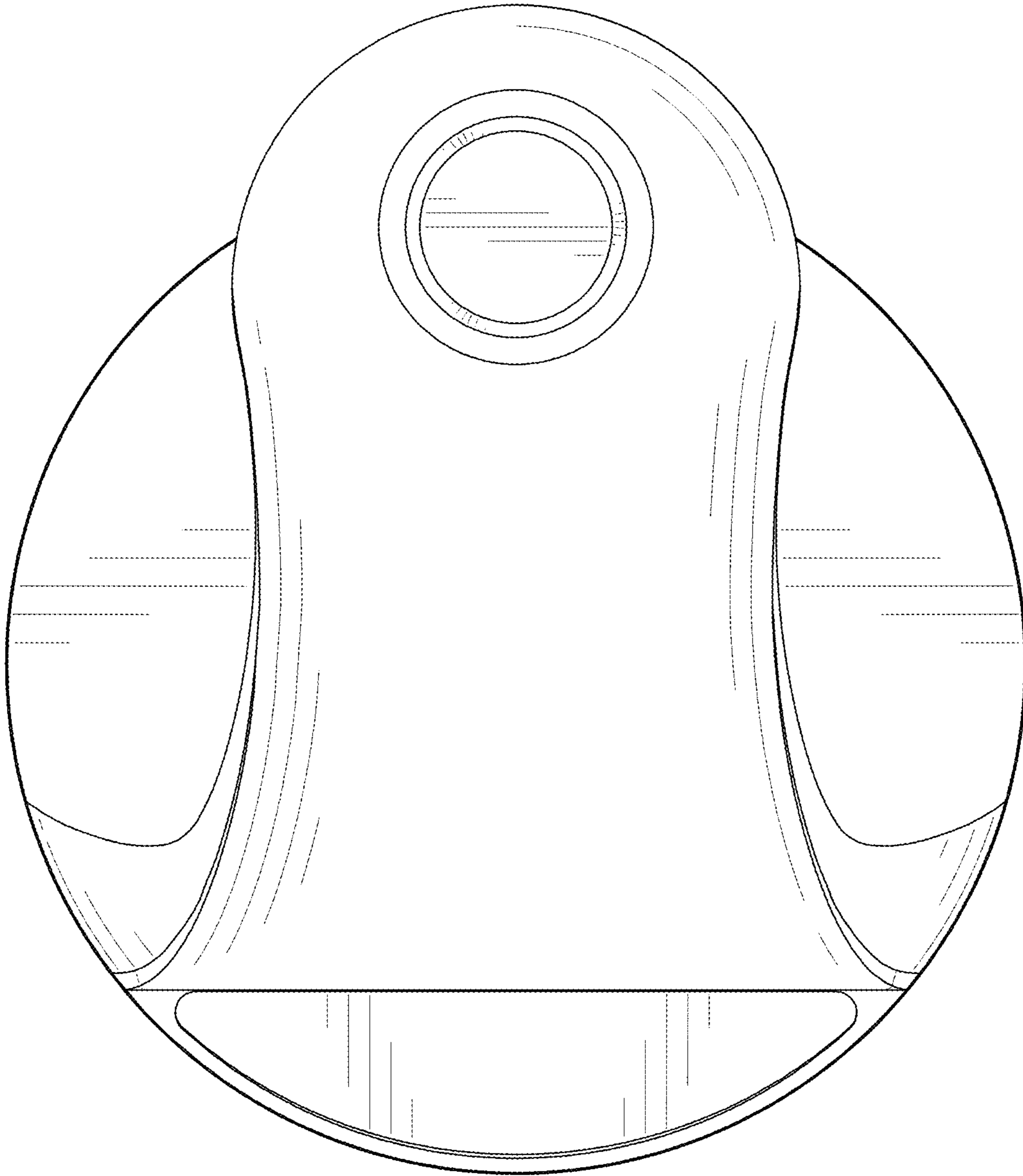


FIG. 7

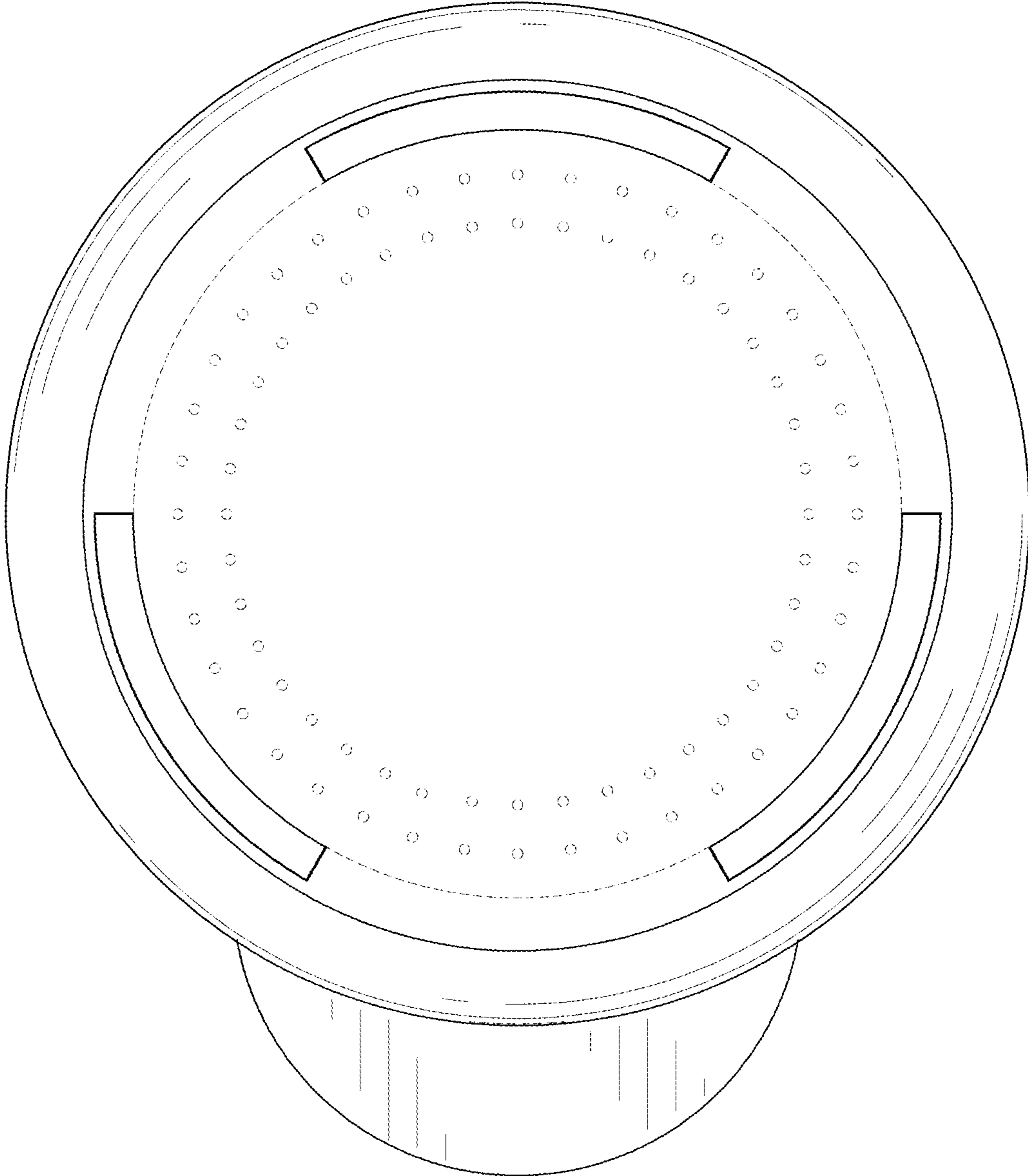


FIG. 8