

US00D961504S

(12) **United States Design Patent** (10) **Patent No.:** **US D961,504 S**
Yamamoto (45) **Date of Patent:** **** Aug. 23, 2022**

(54) **CHARGING ADAPTER**

- (71) Applicant: **Scosche Industries, Inc.**, Oxnard, CA (US)
- (72) Inventor: **Yasuhiro Yamamoto**, Thousand Oaks, CA (US)
- (73) Assignee: **Scosche Industries, Inc.**, Oxnard, CA (US)
- (**) Term: **15 Years**
- (21) Appl. No.: **29/776,459**
- (22) Filed: **Mar. 30, 2021**
- (51) **LOC (13) Cl.** **13-02**
- (52) **U.S. Cl.**
USPC **D13/107**
- (58) **Field of Classification Search**
USPC D13/103, 107-110, 118-121, 184, 199,
D13/137.1-137.4; D14/251, 253, 432,
D14/434, 447
CPC H02J 7/025; H02J 7/0026; H02J 7/0042;
H02J 7/0044; H02J 7/0045; H02J 7/0047;
H02J 7/0013; H02J 7/0003; H01M 10/44;
H01M 10/441

See application file for complete search history.

(56) **References Cited**

U.S. PATENT DOCUMENTS

D885,336 S *	5/2020	Deng	D13/108
D892,736 S *	8/2020	Jin	D13/108
D892,737 S *	8/2020	Yuan	D13/110
D900,738 S *	11/2020	Liu	D13/108
D901,383 S *	11/2020	Pang	D13/110
D909,969 S *	2/2021	Yoon	D13/110
D931,815 S *	9/2021	Hong	D13/108
D937,208 S *	11/2021	Liu	D13/108
D938,352 S *	12/2021	Zhang	D13/108
D938,909 S *	12/2021	Yuan	D13/108
D939,435 S *	12/2021	Feng	D13/107
D939,440 S *	12/2021	Guo	D13/108
D943,517 S *	2/2022	Deng	D13/107

OTHER PUBLICATIONS

Wall Charger. (Design—© Questel) orbit.com. [Online PDF compilation of references] 65 pgs. Print Dates Range Jan. 4, 2022-Nov. 2, 2021 [Retrieved Apr. 6, 2022].*

Philips AC USB Charger. Before May 29, 2020. Home Depot. https://www.homedepot.com/p/Philips-1-0-Amp-1-Port-AC-USB-Charger-White-DLP2409-37/305093819?MERCHANT=REC-_-pip_alternatives-_-313303825-_-305093819-_-N.*

Amazon USB Charging Block. Dec. 27, 2018. Amazon. https://www.amazon.com/Charger-Ailkin-Charging-Compatible-Samsung/dp/B07MR23R57?th=1.*

Cygnett Flow Dual USB Wall Charger. Before Apr. 6, 2021. Target, https://www.target.com.au/p/cygnett-flow-2-4-dual-usb-wall-charger/62027656.*

* cited by examiner

Primary Examiner — Manpreet S Matharu
Assistant Examiner — Suzanne E Tisdell
 (74) *Attorney, Agent, or Firm* — Stetina Brunda Garred & Brucker

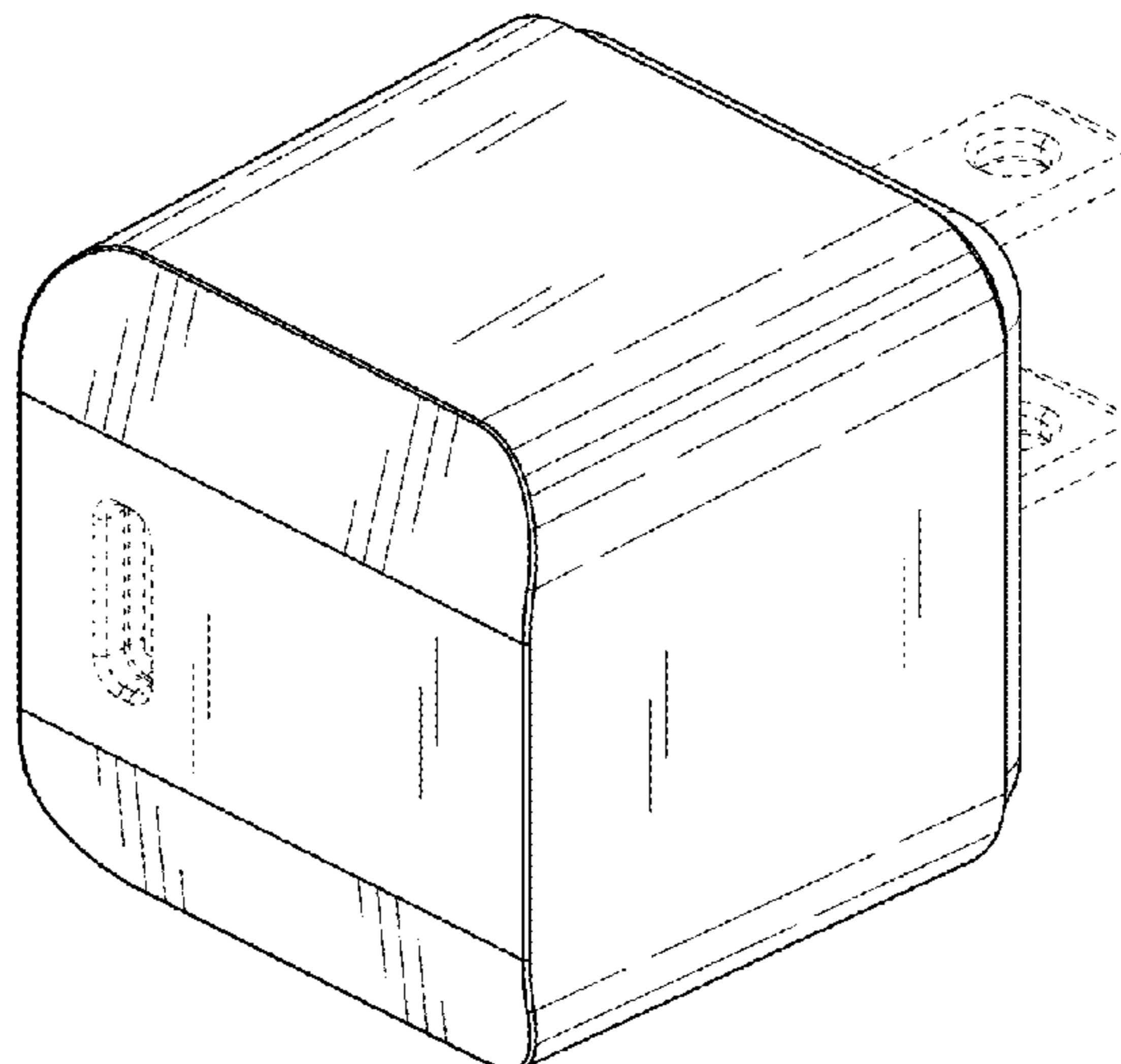
(57) **CLAIM**

The ornamental design for a charging adapter, as shown and described.

DESCRIPTION

FIG. 1 is a front perspective view showing a charging adapter;
 FIG. 2 is a rear perspective view thereof;
 FIG. 3 is a right side view thereof;
 FIG. 4 is a top plan thereof;
 FIG. 5 is a rear view thereof;
 FIG. 6 is a front view thereof;
 FIG. 7 is a bottom plan view thereof; and,
 FIG. 8 is a left side view thereof.
 Broken lines included in the drawings show portions of the charging adapter that form no part of the claimed design.

1 Claim, 3 Drawing Sheets



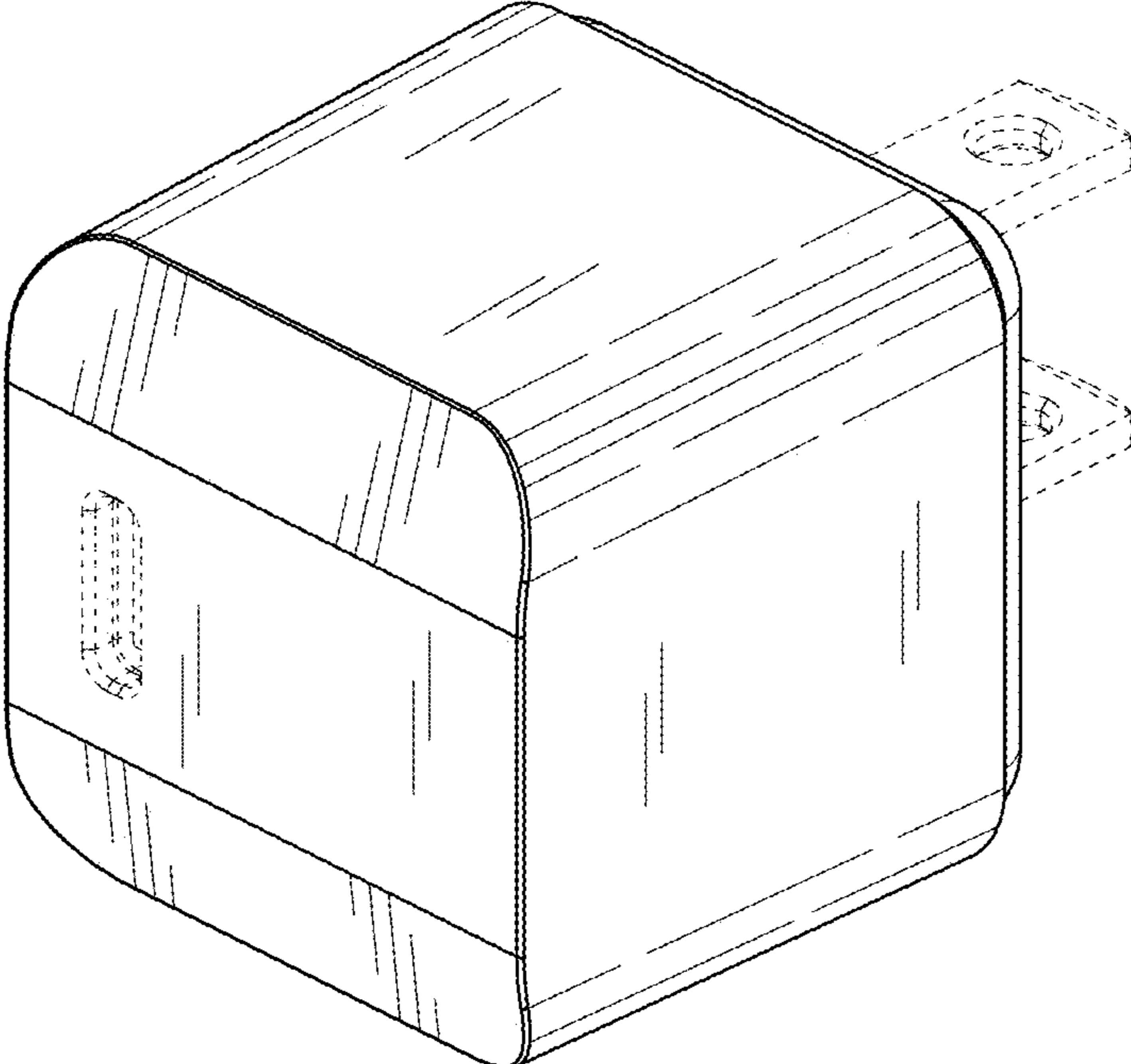


FIG. 1

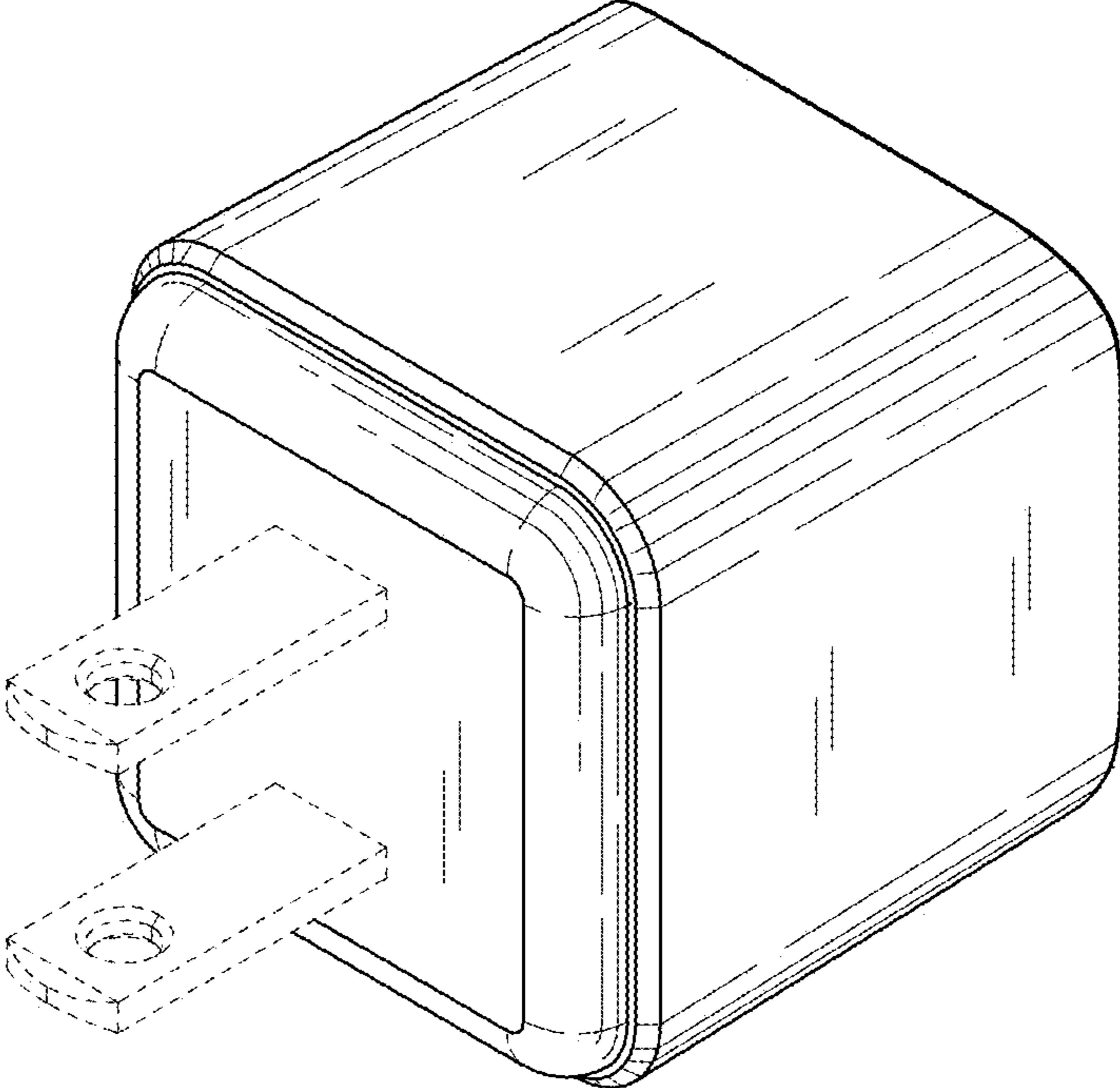


FIG. 2

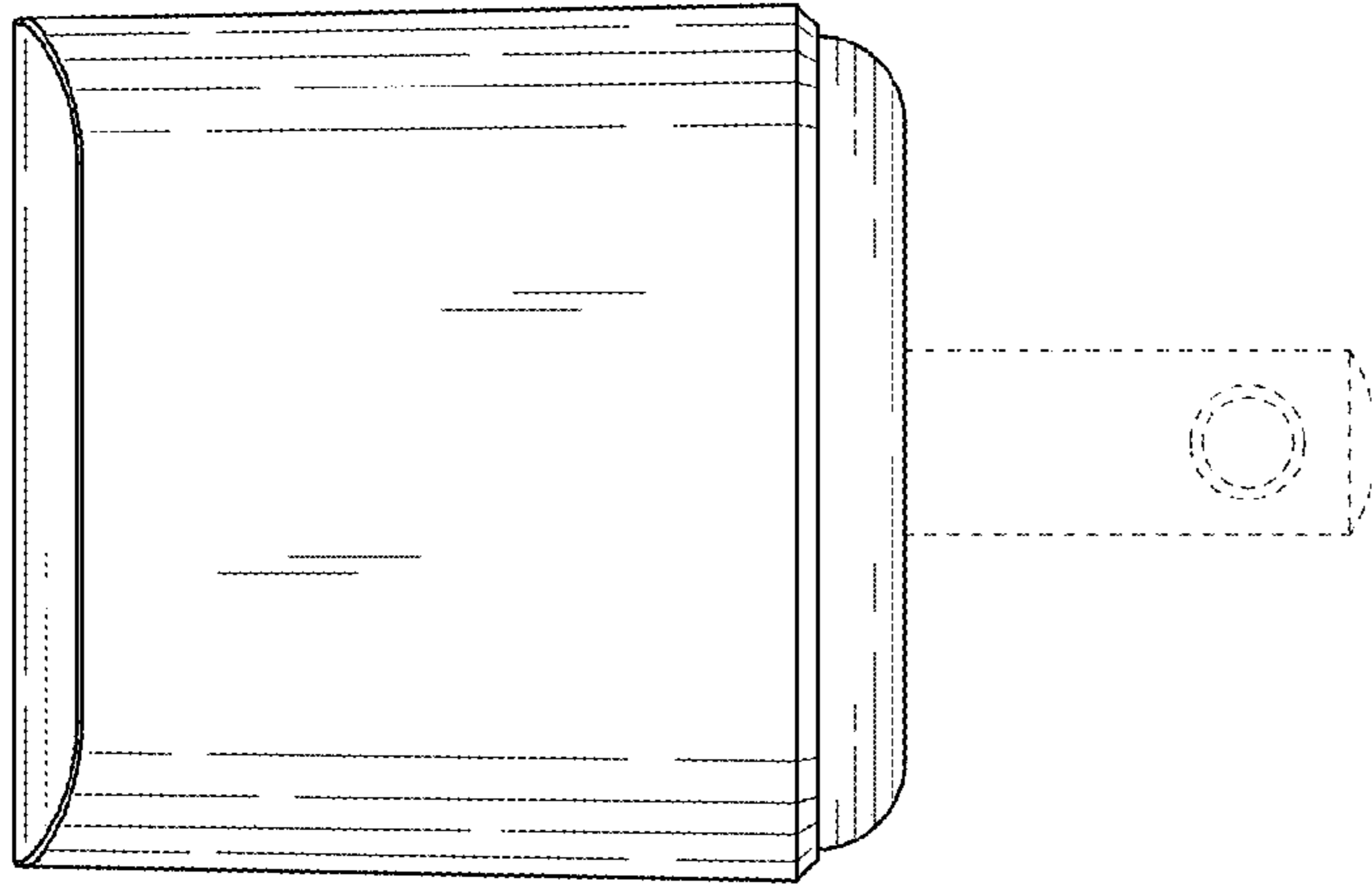


FIG. 3

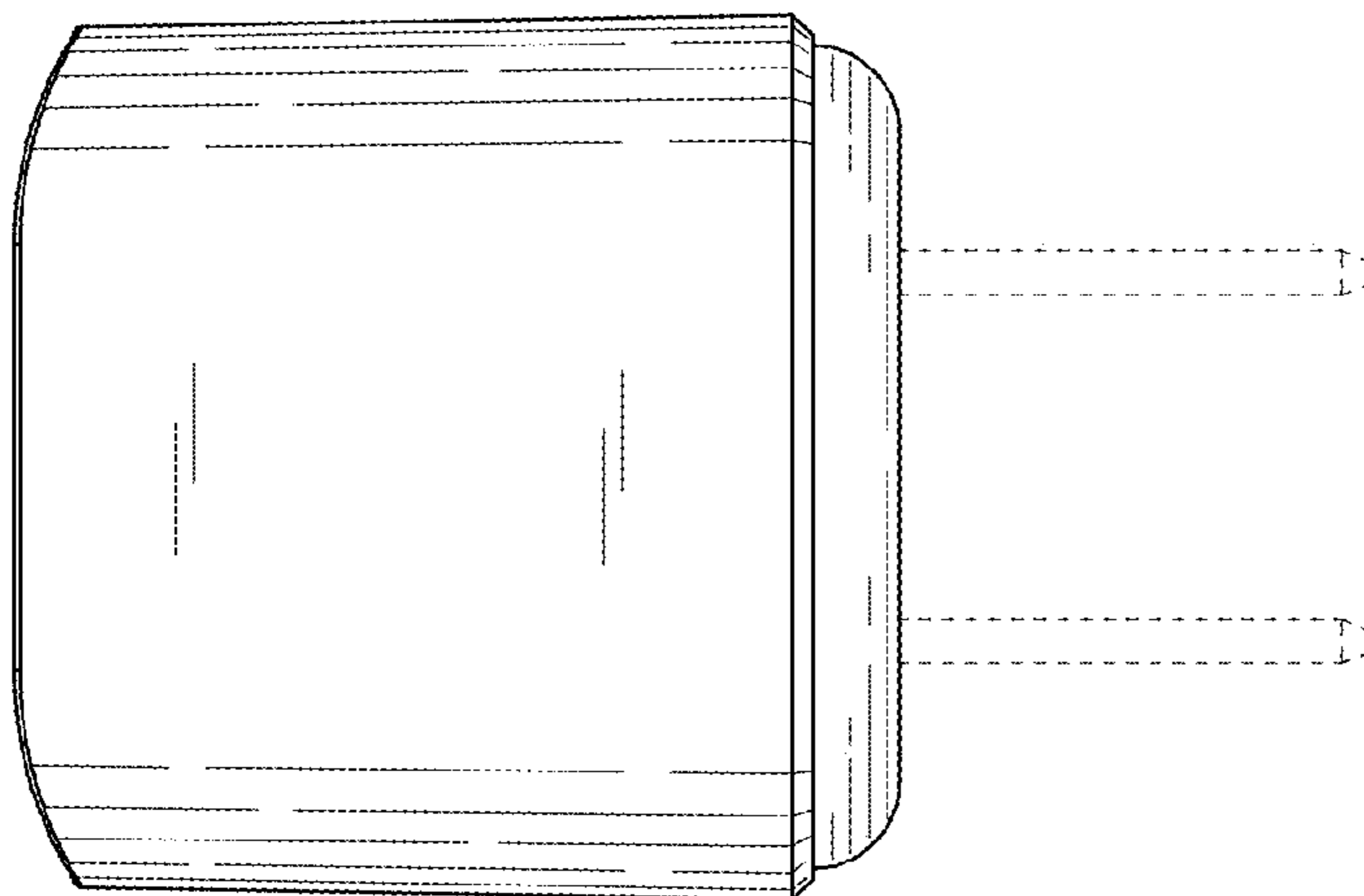


FIG. 4

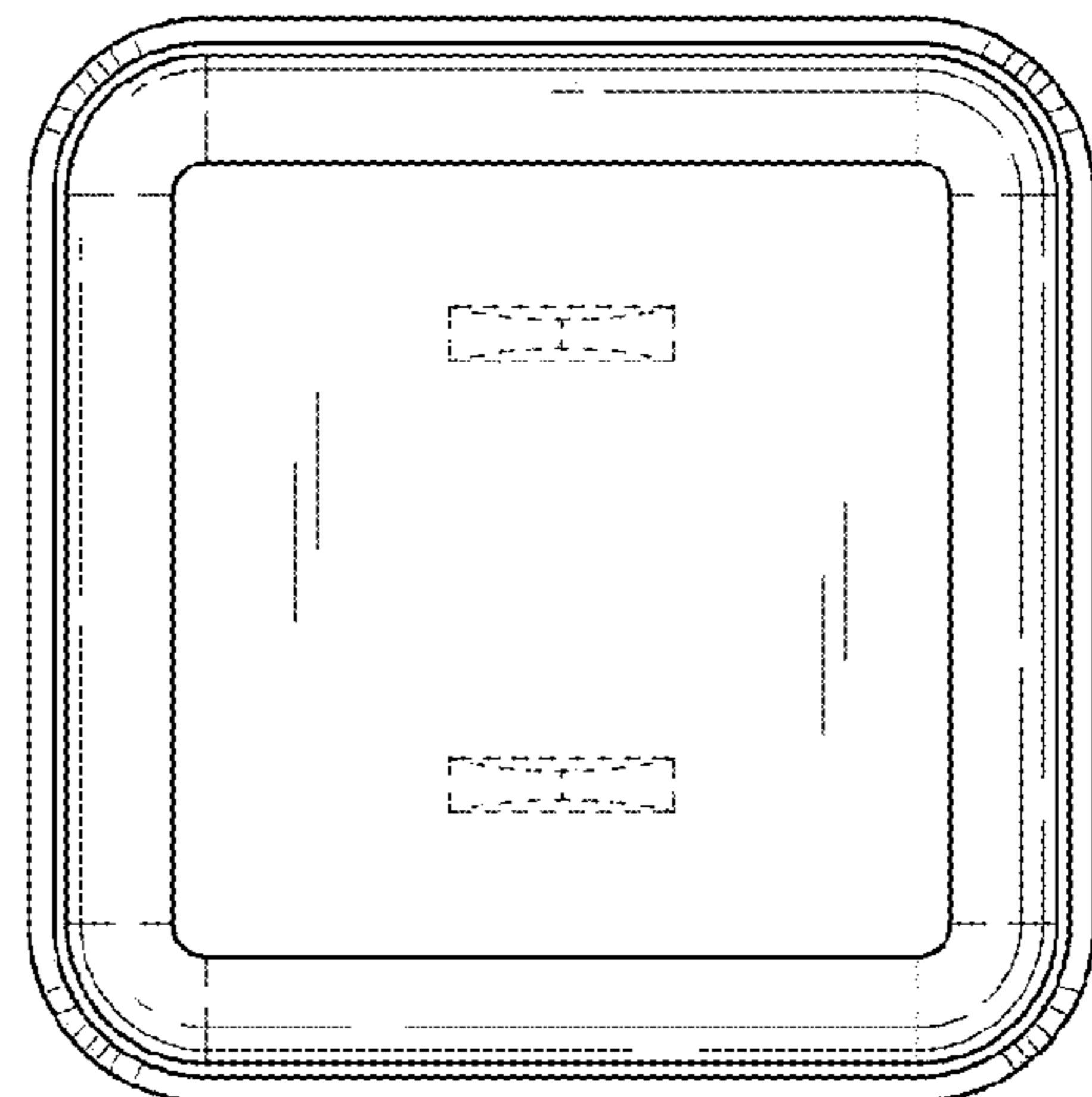


FIG. 5

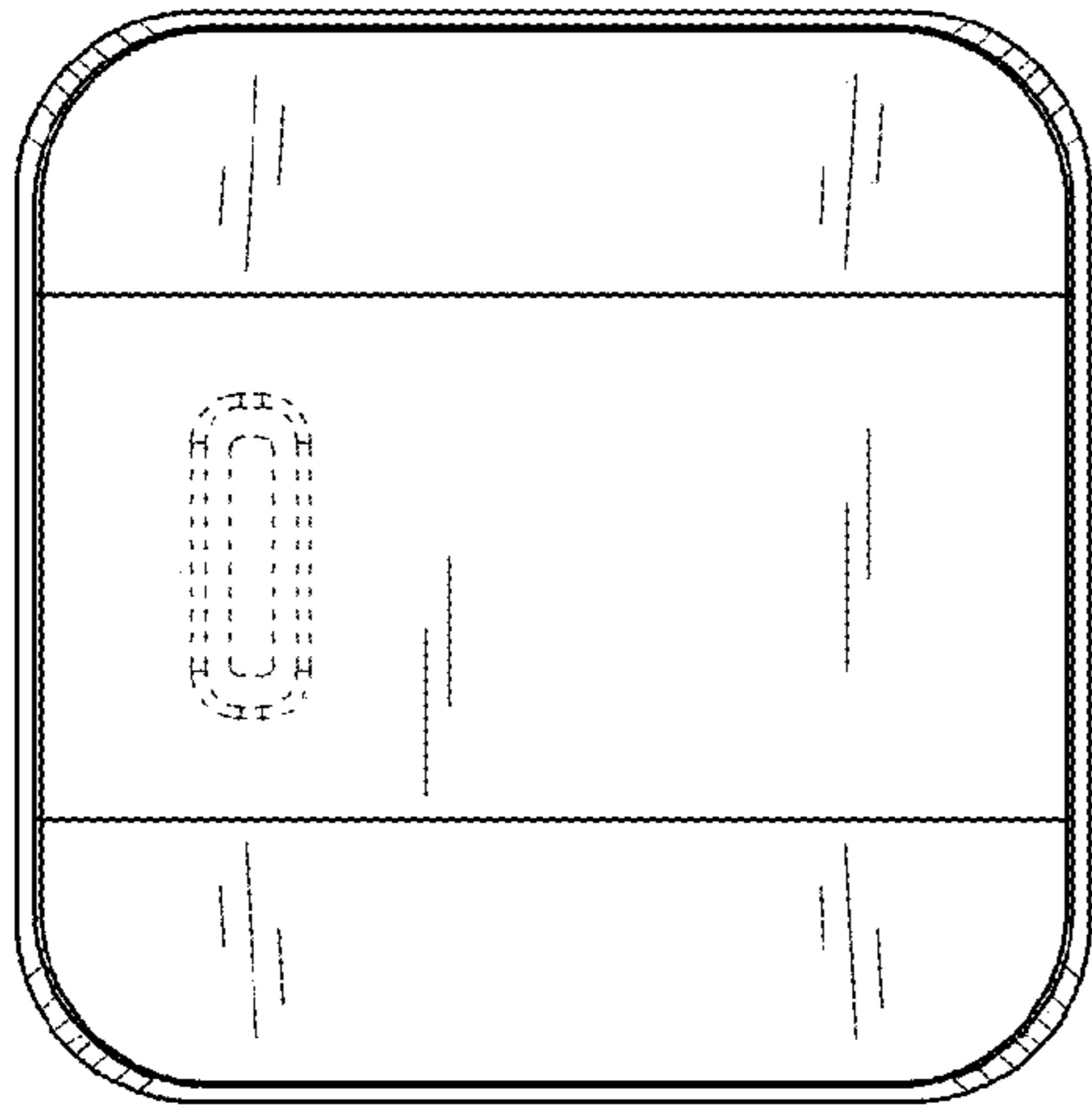


FIG. 6

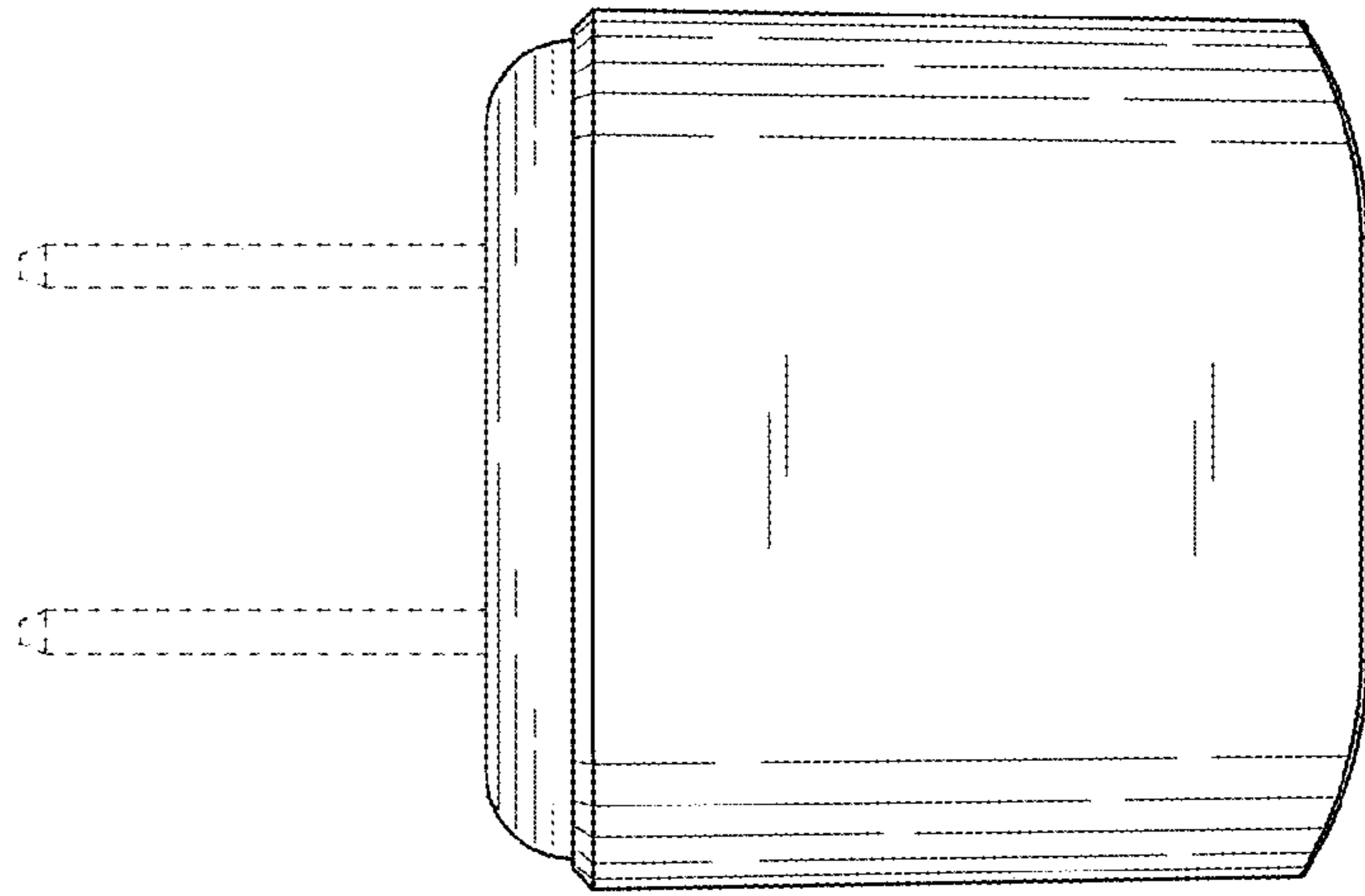


FIG. 7

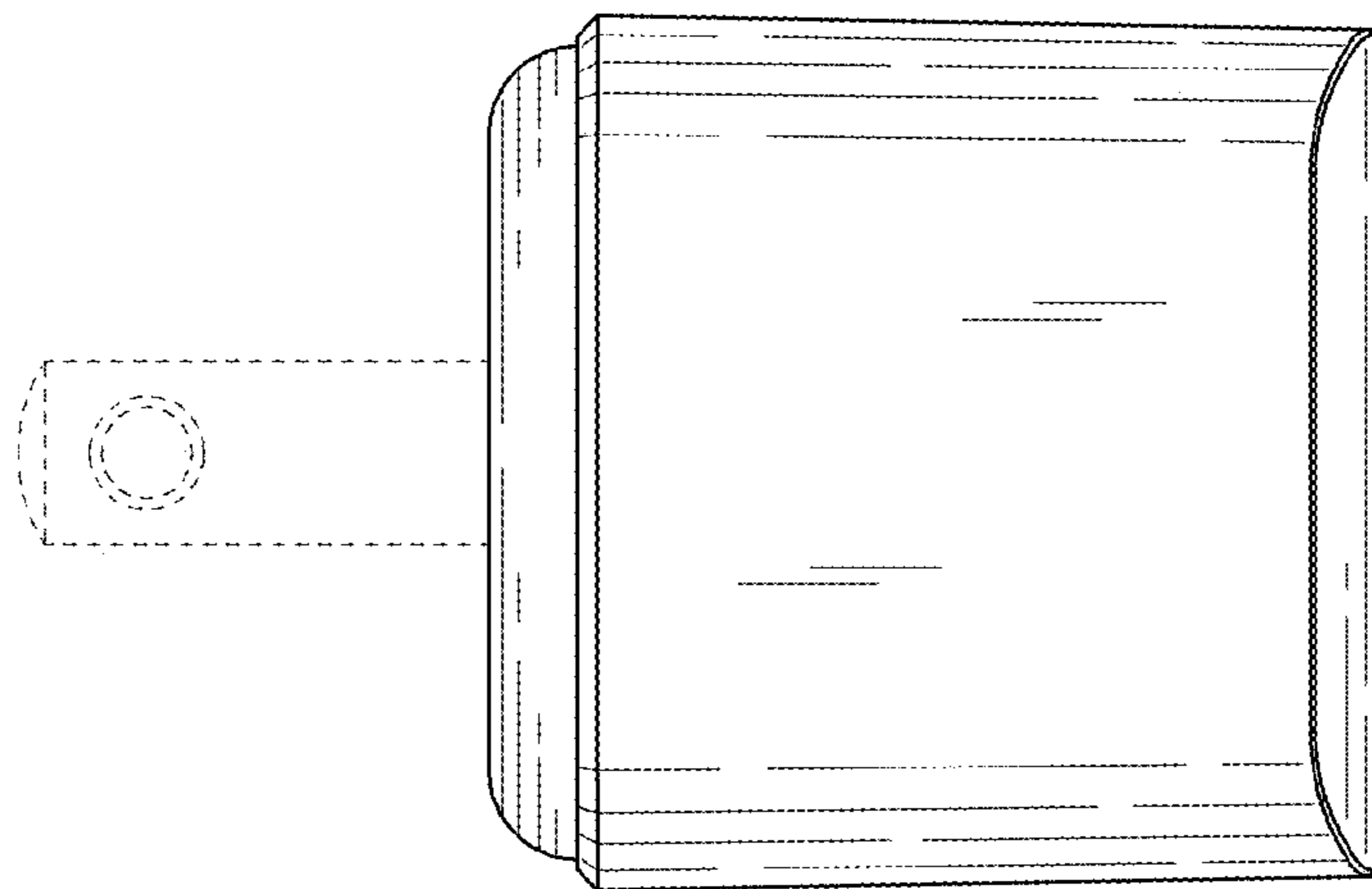


FIG. 8