



US00D961503S

(12) **United States Design Patent** (10) **Patent No.:** **US D961,503 S**
Fu (45) **Date of Patent:** **** Aug. 23, 2022**

(54) **POWER SUPPLY**

(71) Applicant: **Lion Energy, LLC**, American Fork, UT (US)

(72) Inventor: **Zou Quan Fu**, Huizhou (CN)

(73) Assignee: **Lion Energy, LLC**, American Fork, UT (US)

(**) Term: **15 Years**

(21) Appl. No.: **29/738,155**

(22) Filed: **Jun. 15, 2020**

(51) **LOC (13) Cl.** **13-02**

(52) **U.S. Cl.**
USPC **D13/107**

(58) **Field of Classification Search**
USPC D13/103, 106, 107, 108, 109, 110, 112,
D13/114, 116, 118, 119, 184, 199
CPC H01M 10/46; H02J 7/0044; F02B 63/04
See application file for complete search history.

(56) **References Cited**

U.S. PATENT DOCUMENTS

D609,634 S *	2/2010	Daniels	D13/107
D630,581 S *	1/2011	Xu	D13/116
D684,115 S *	6/2013	Inskeep	D13/107
D711,319 S *	8/2014	Wilcox	D13/116
D803,777 S *	11/2017	Burchard	D13/103
D870,042 S *	12/2019	Chen	D13/110
D873,767 S *	1/2020	Rao	D13/107
D877,062 S *	3/2020	Yin	D13/102
D891,365 S *	7/2020	Yang	D13/107
D922,944 S *	6/2021	Fu	D13/108
2015/0059662 A1 *	3/2015	Lan	F02B 63/048 123/2
2016/0129524 A1 *	5/2016	Evans	B23K 9/32 219/136
2020/0343748 A1 *	10/2020	Ho	H02J 7/0045

FOREIGN PATENT DOCUMENTS

CN 201930187893.9 * 10/2019

OTHER PUBLICATIONS

“Safari ME Power Station”. Found online Aug. 24, 2021 at youtube.com. Reference dated Oct. 20, 2020. Retrieved from <https://www.youtube.com/watch?v=ZuSqtGerfs8>. (Year: 2020).*

“Predator Inverter Generator”. Found online Aug. 24, 2021 at harborfreight.com. Reference dated Jul. 2, 2017. Retrieved from <https://www.harborfreight.com/3500-watt-super-quiet-inverter-generator-56720.html>. (Year: 2017).*

“Smartech Automotive Battery Charger”. Found online May 20, 2021 at amazon.com. Reference dated Jul. 30, 2019. Retrieved from <https://www.homedepot.com/p/Smartech-Products-SBC-50-6-Volt-12-Volt-Shelf-Automotive-Battery-Charger-Maintainer-SBC-50/309453164>. (Year: 2019).*

* cited by examiner

Primary Examiner — Kendra Leslie Hamilton

Assistant Examiner — Amanda Christensen

(74) *Attorney, Agent, or Firm* — Terrence J. Edwards;
TechLaw Ventures, PLLC

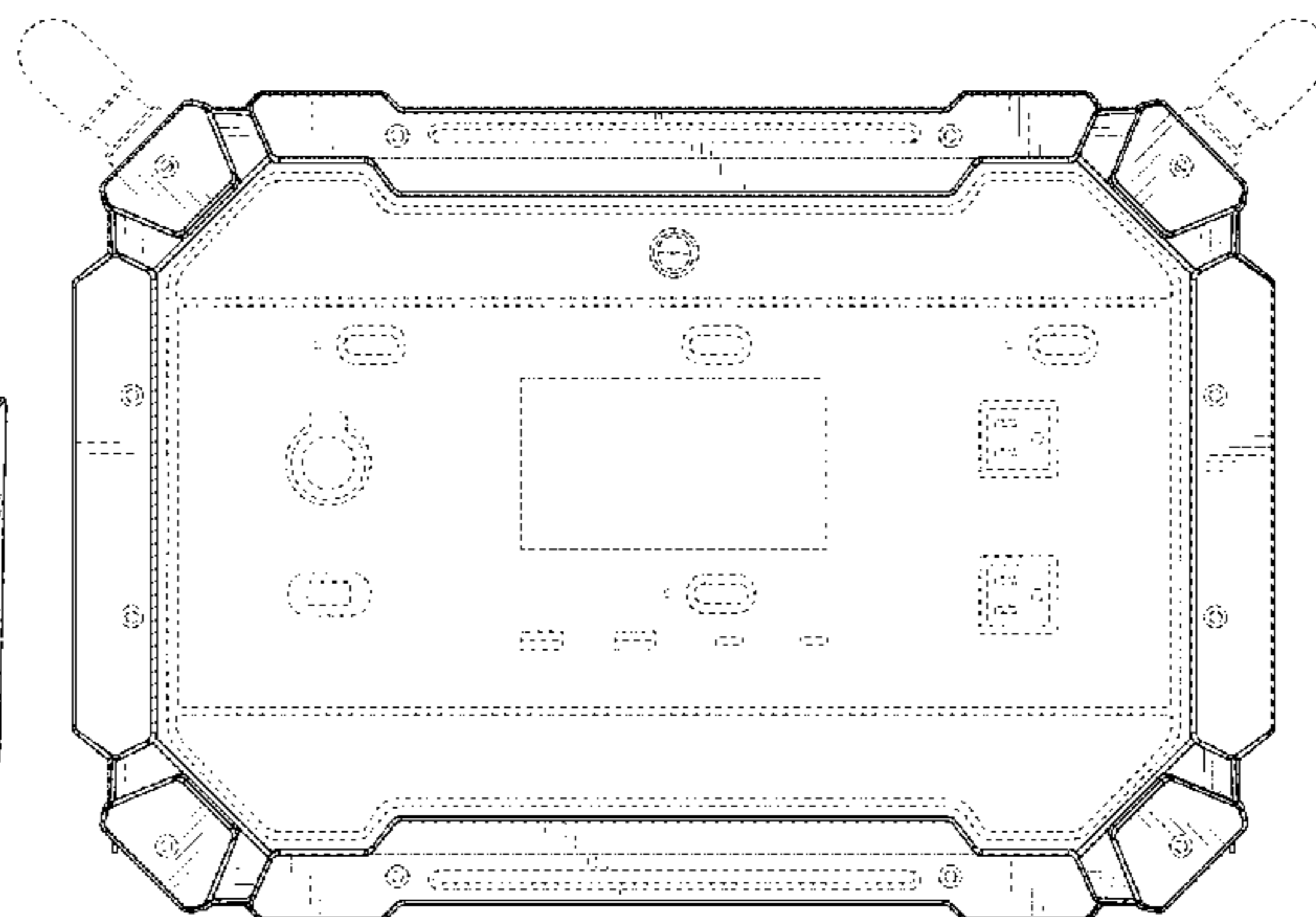
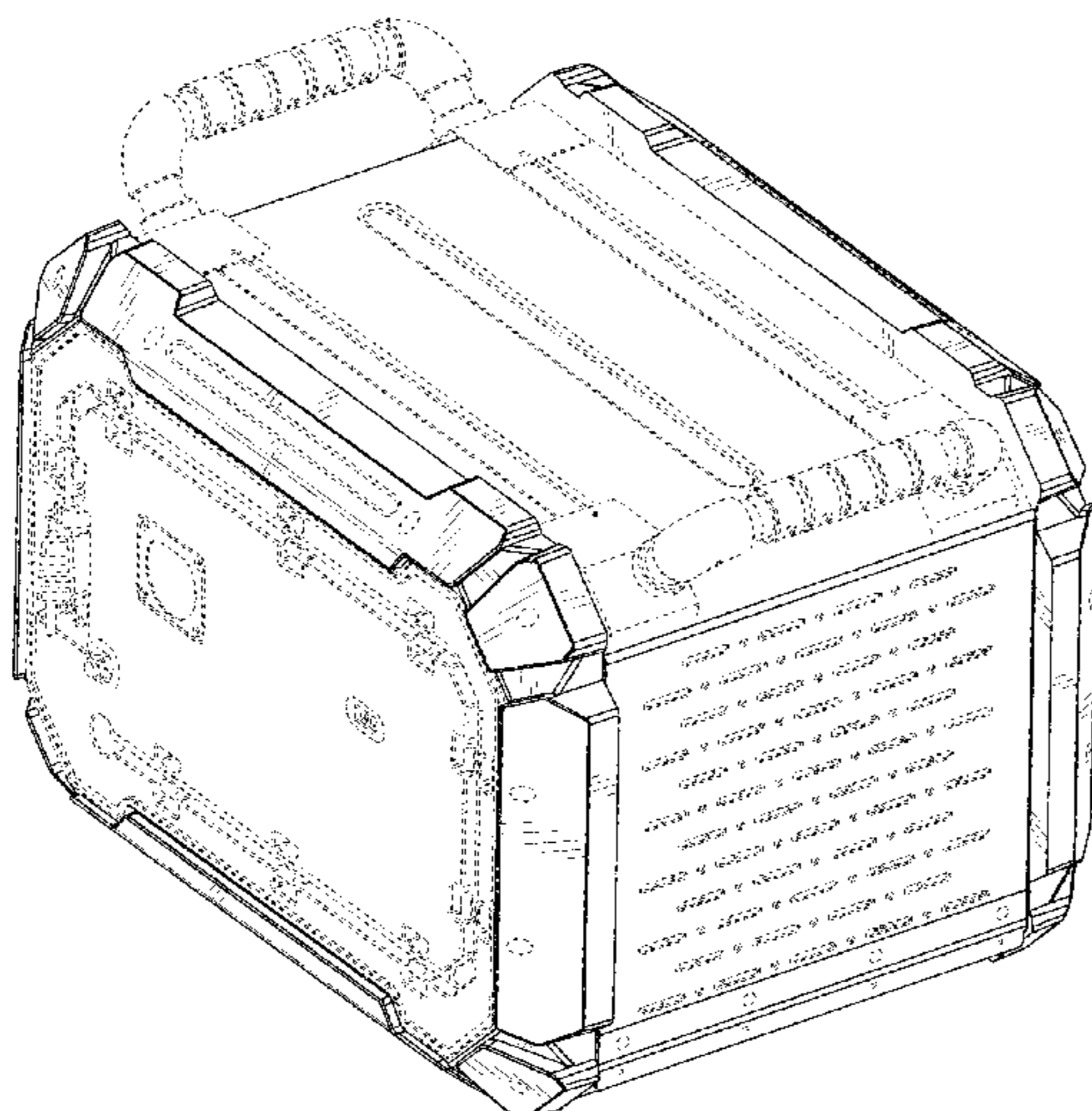
(57) **CLAIM**

I claim the ornamental design for a power supply, as shown and described.

DESCRIPTION

FIG. 1 is a top, back, right side perspective view of a power supply showing my new design;
FIG. 2 is a top, front, left side perspective view thereof;
FIG. 3 is a front view thereof;
FIG. 4 is a back view thereof;
FIG. 5 is a left side view thereof;
FIG. 6 is a right side view thereof;
FIG. 7 is a top view thereof; and,
FIG. 8 is a bottom view thereof.
The broken lines in the drawings depict portions of the power supply that form no part of the claimed design.

1 Claim, 5 Drawing Sheets



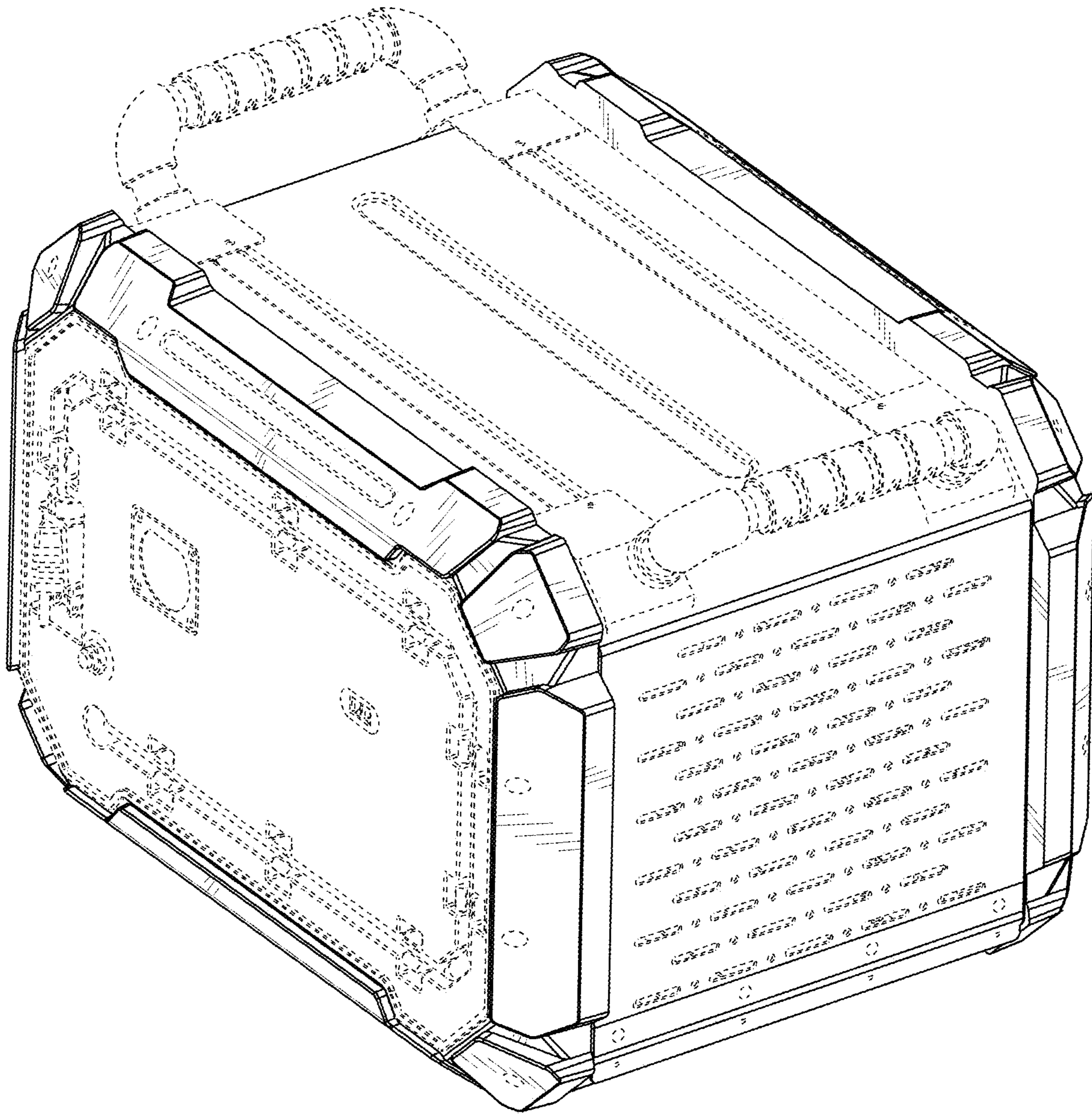


FIG. 1

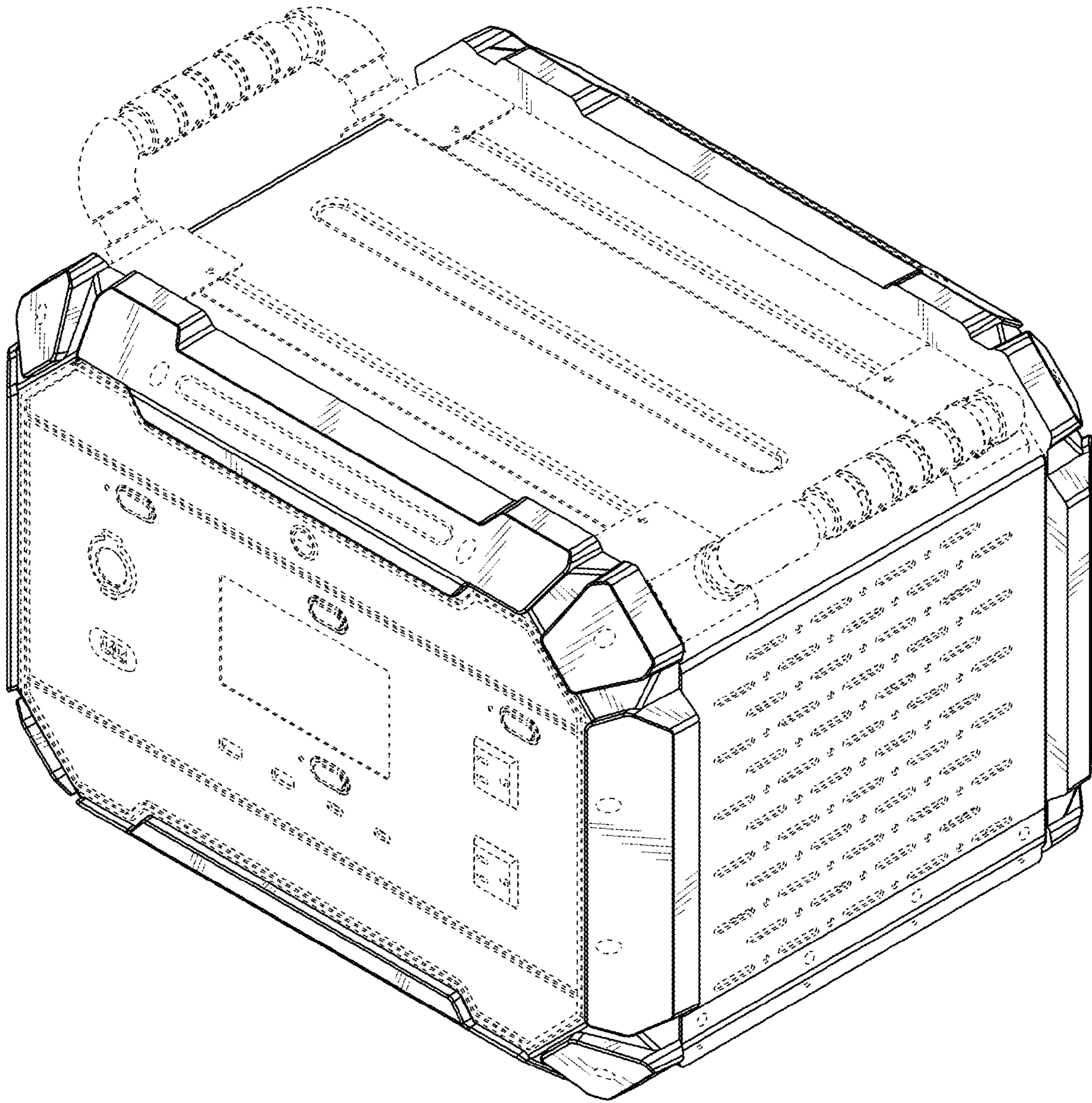


FIG. 2

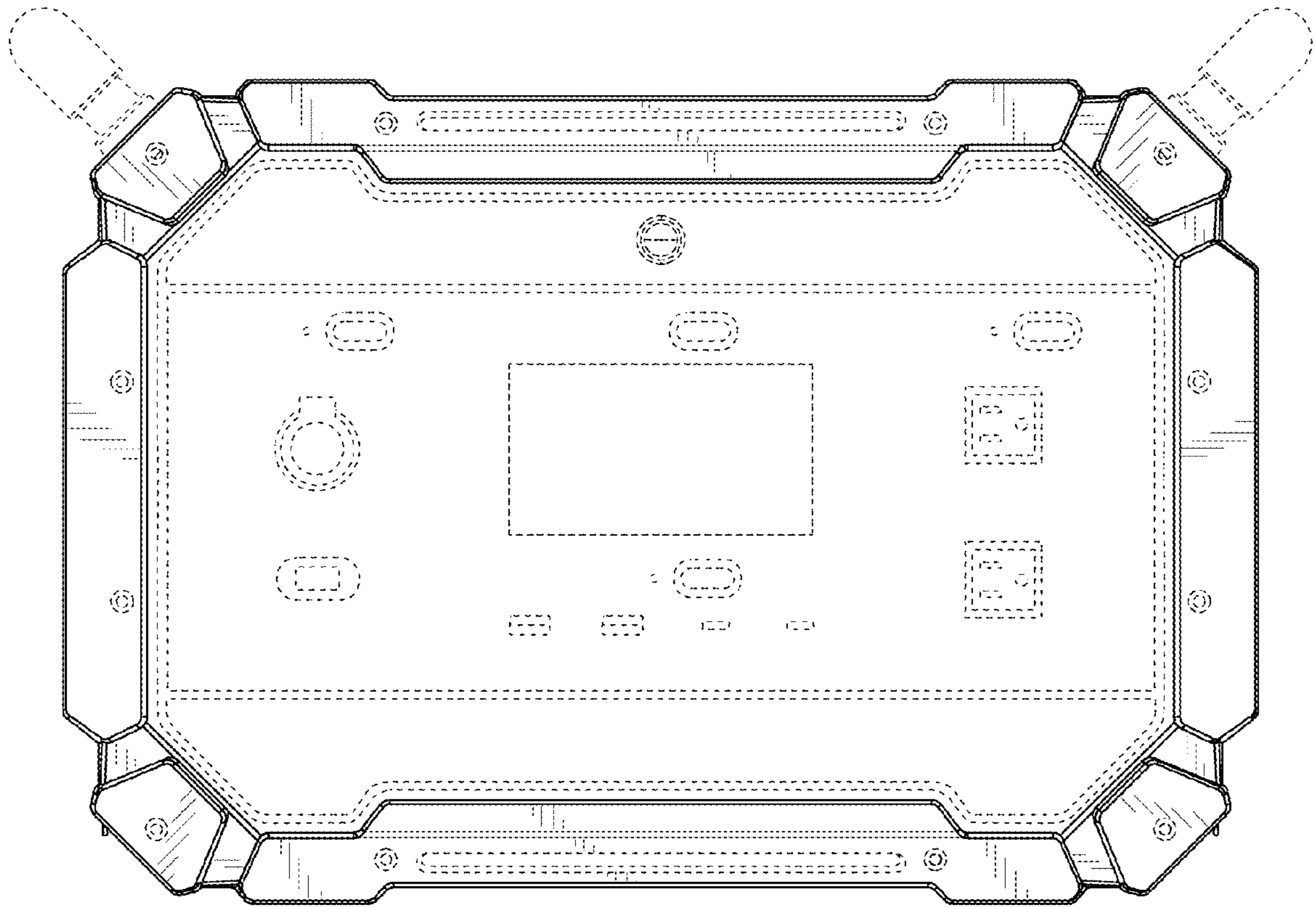


FIG. 3

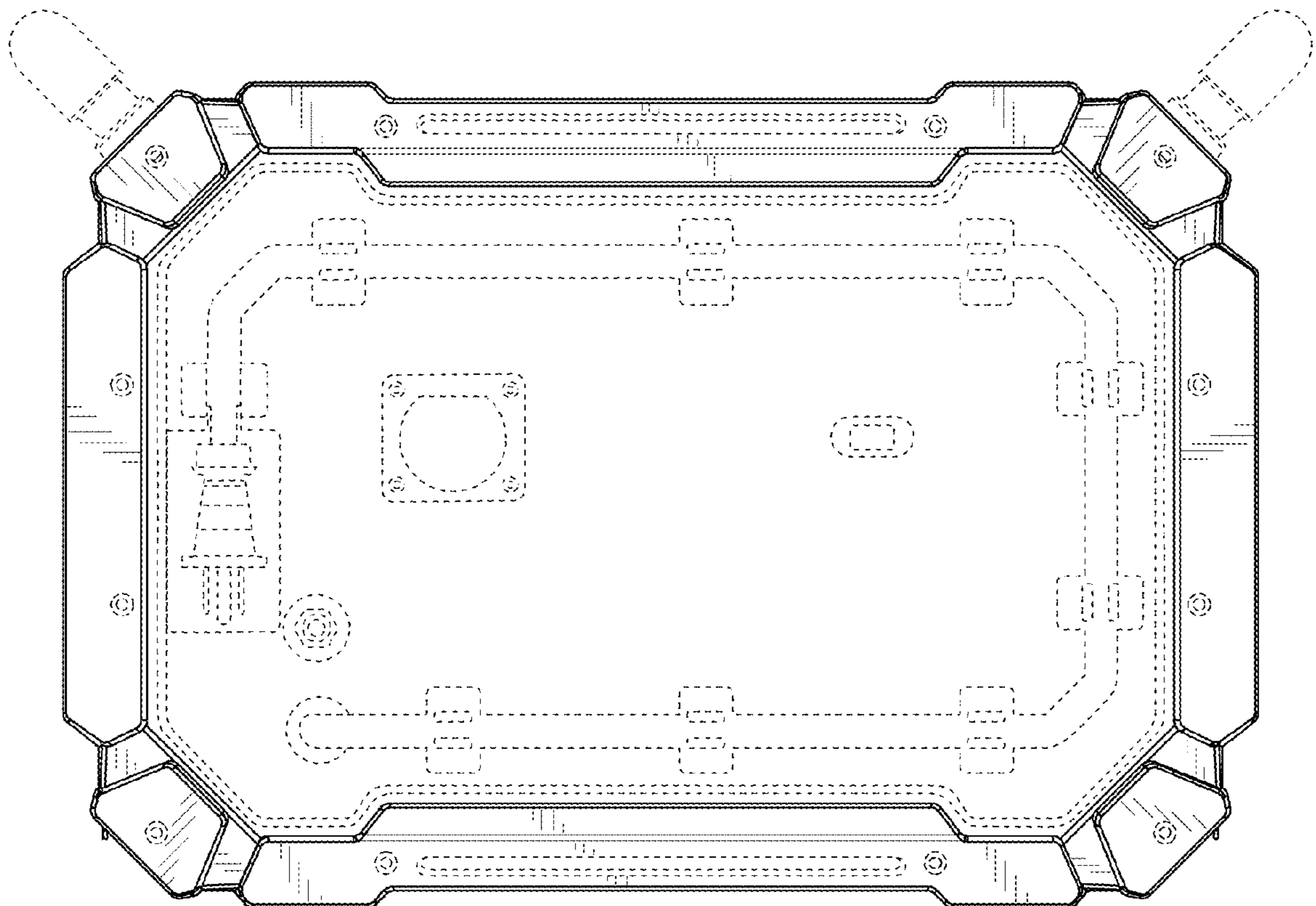


FIG. 4

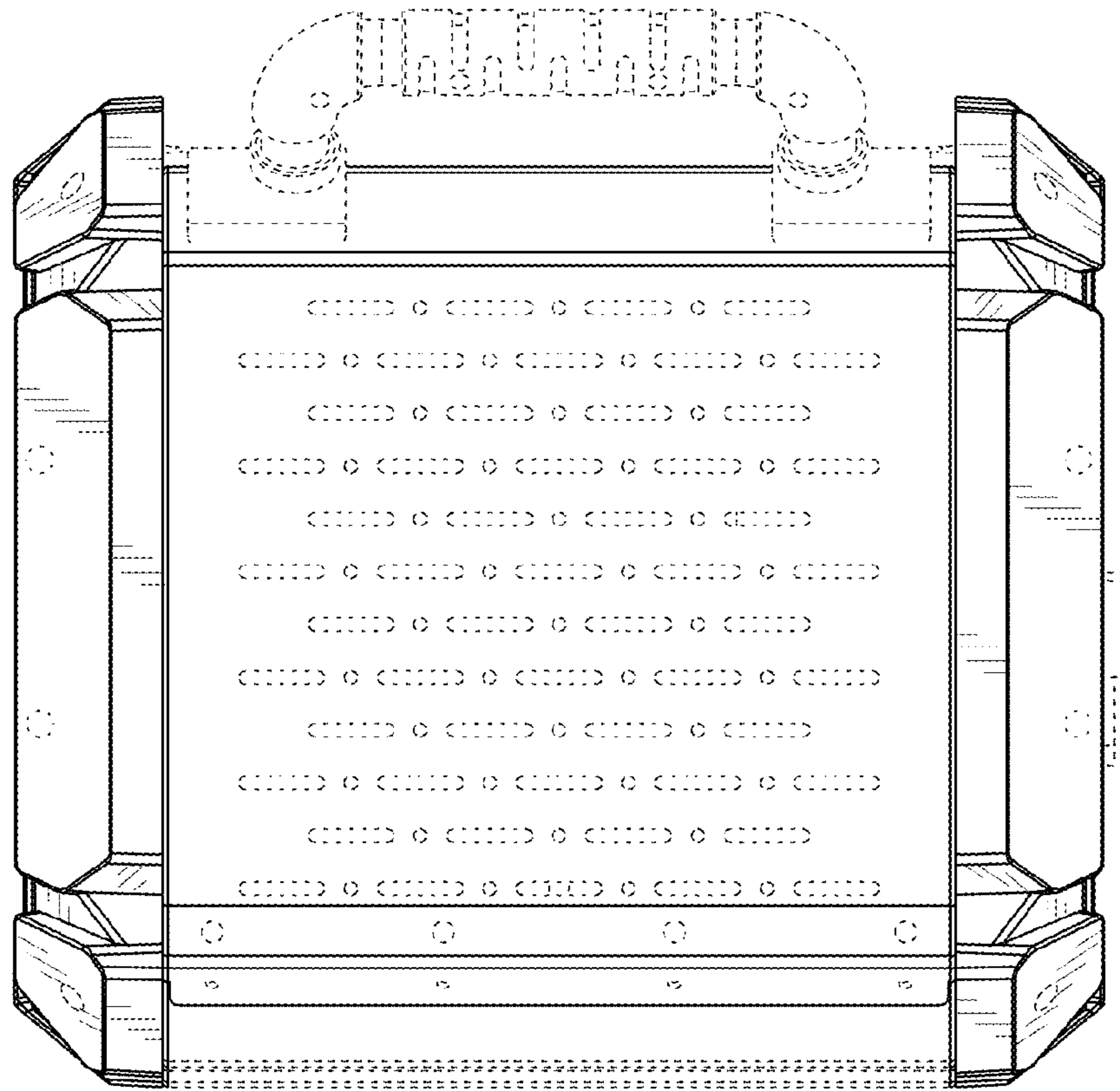


FIG. 5

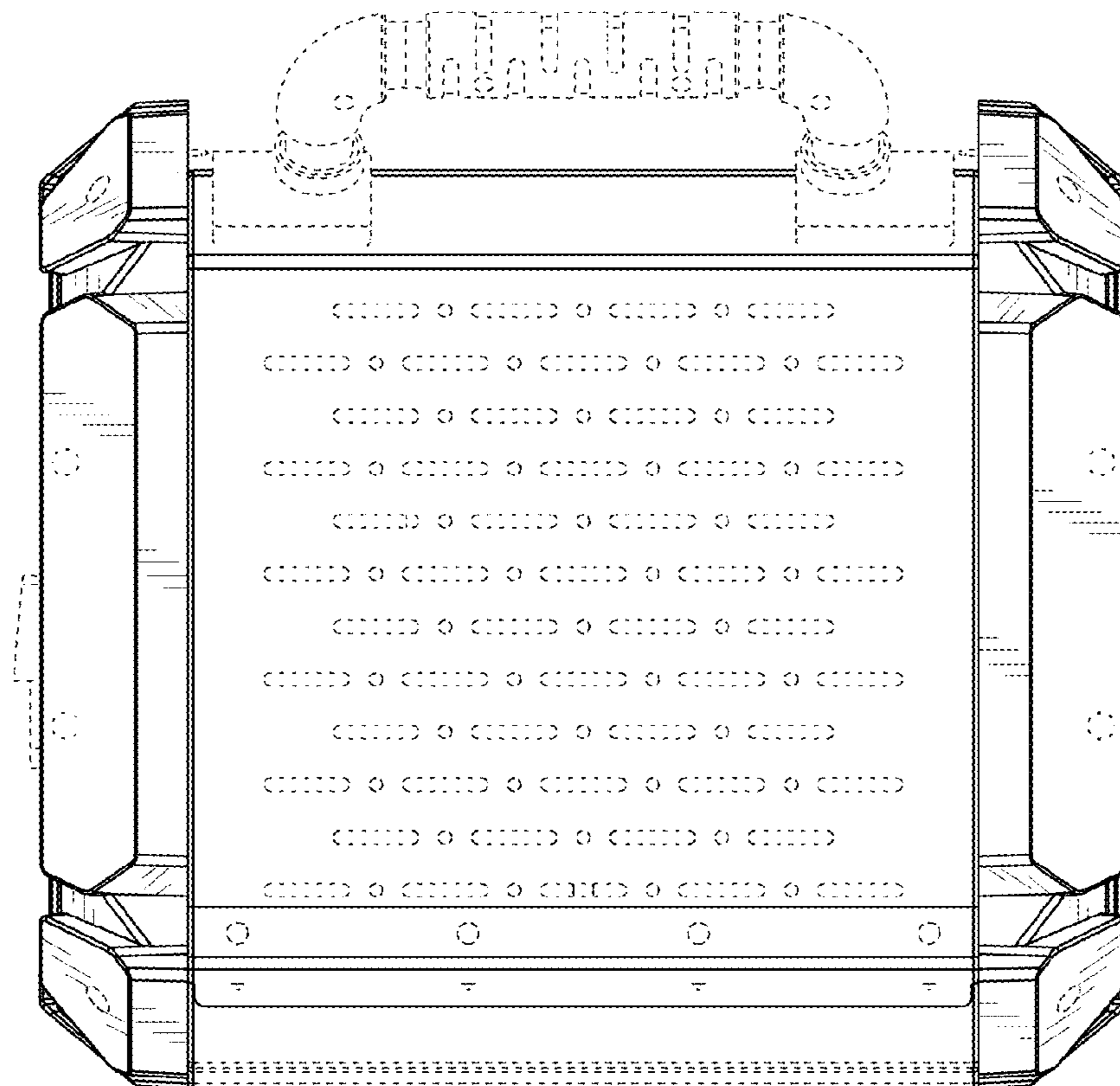


FIG. 6

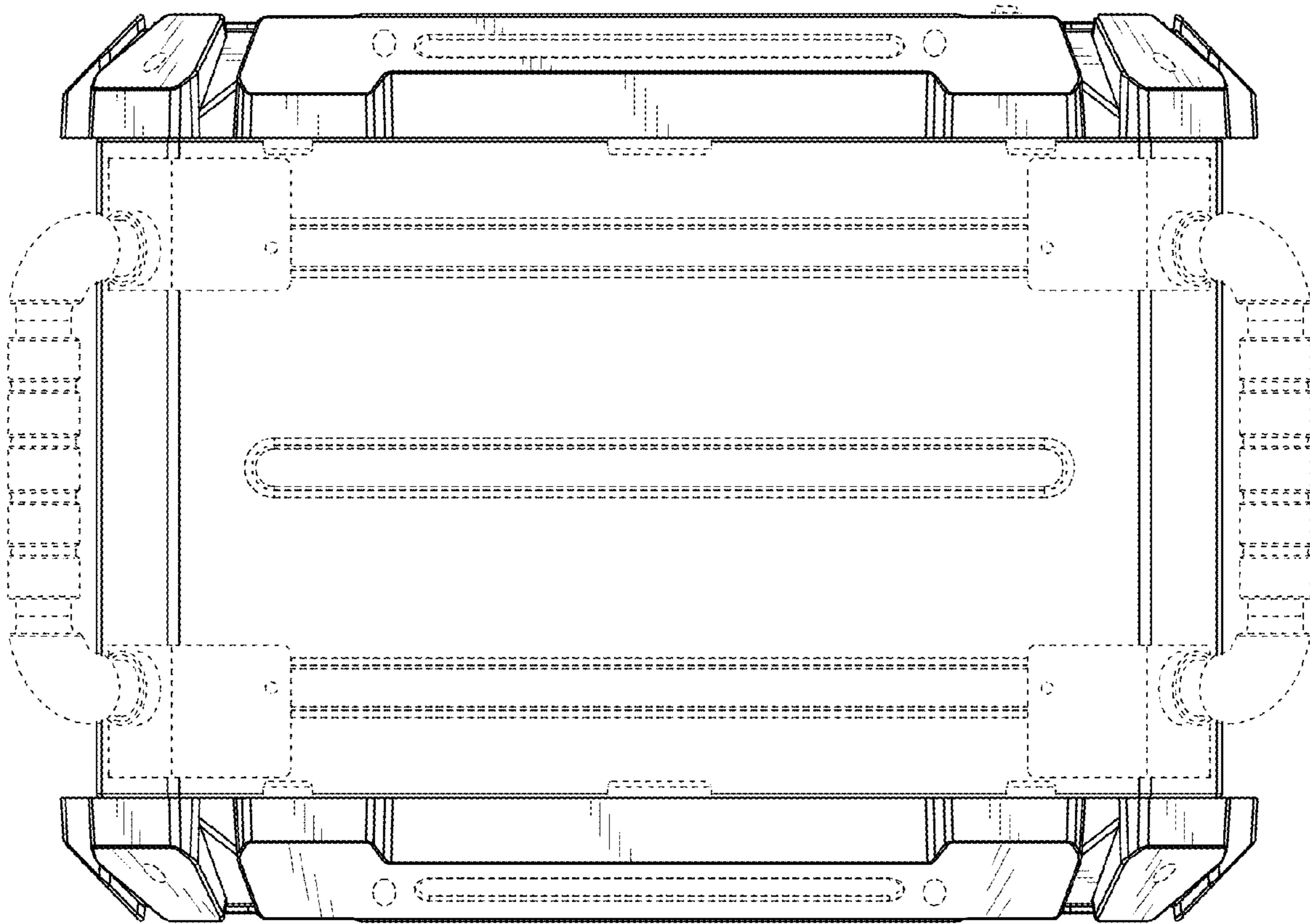


FIG. 7

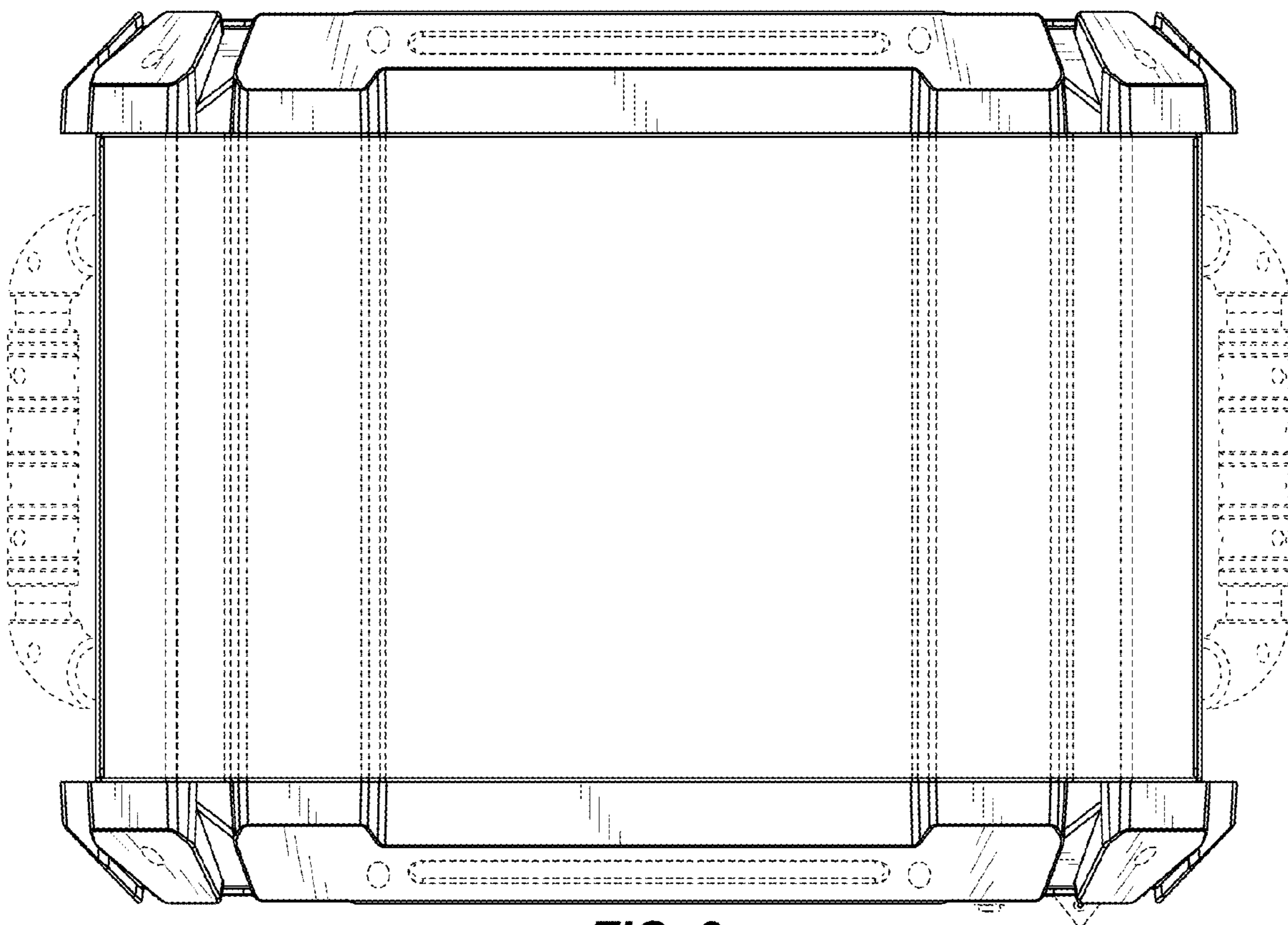


FIG. 8