

US00D961502S

(12) **United States Design Patent**  
**Hwang**

(10) **Patent No.:** **US D961,502 S**

(45) **Date of Patent:** **\*\* Aug. 23, 2022**

(54) **ELECTRIC VEHICLE CHARGER**

(71) Applicant: **SIGNET EV INC.**, Jeollanam-do (KR)

(72) Inventor: **Ho Chul Hwang**, Gyeonggi-do (KR)

(73) Assignee: **SIGNET EV INC.**, Jeollanam-Do (KR)

(\*\*) Term: **15 Years**

(21) Appl. No.: **29/686,243**

(22) Filed: **Apr. 3, 2019**

(30) **Foreign Application Priority Data**

Mar. 15, 2019 (KR) ..... 30-2019-0011790

(51) **LOC (13) Cl.** ..... **13-02**

(52) **U.S. Cl.**  
USPC ..... **D13/107**

(58) **Field of Classification Search**

USPC ..... D13/107-110, 118-119, 184; D14/251,  
D14/253, 432, 434

CPC ..... Y02E 60/12; Y02T 90/14; Y02T 90/122;  
Y02T 90/128; Y02T 90/163; H02J 7/025;  
H02J 7/0042; H02J 7/0044; H02J 7/0045;  
H02J 7/0013; H02J 7/0003; H01F 38/14;  
H01R 13/6675; H01M 2/1022; H01M  
2/1055; H01M 10/44; H01M 10/46;  
H01M 10/425; B60L 11/182

See application file for complete search history.

(56) **References Cited**

**U.S. PATENT DOCUMENTS**

D264,471 S \* 5/1982 Rowan ..... D15/9.2  
D440,579 S \* 4/2001 Wilson ..... D15/9.2

D570,920 S \* 6/2008 Choi ..... D10/42  
D632,740 S \* 2/2011 Adeline ..... D20/2  
D659,090 S \* 5/2012 deRoo ..... D13/107  
D745,060 S \* 12/2015 Larsson ..... D15/9.2  
D819,703 S \* 6/2018 Lee ..... D15/9.1  
D820,323 S \* 6/2018 Morris ..... D15/9.2  
D828,405 S \* 9/2018 Lee ..... D15/9.1  
D868,687 S \* 12/2019 da Silva ..... D13/107  
D914,593 S \* 3/2021 Frerichs ..... D13/110  
D917,581 S \* 4/2021 Sivasankaran ..... D15/9.1  
D922,943 S \* 6/2021 Reitenbach ..... D13/107

\* cited by examiner

*Primary Examiner* — Nathaniel D. Buckner

(74) *Attorney, Agent, or Firm* — The PL Law Group, PLLC

(57) **CLAIM**

The ornamental design for an electric vehicle charger, as shown and described.

**DESCRIPTION**

FIG. 1 is a perspective view of an electric vehicle charger, showing my new design;  
FIG. 2 is a front view thereof;  
FIG. 3 is a rear view thereof;  
FIG. 4 is a left side view thereof;  
FIG. 5 is a right side view thereof;  
FIG. 6 is a top plan view thereof; and,  
FIG. 7 is a bottom plan view thereof.

Broken lines that appear in the drawings depict components and/or component features that form no part of the claimed design, and are provided for illustrative purposes only.

The broken lines in the figures depict portions of the electric vehicle charger which form no part of the claimed design.

**1 Claim, 7 Drawing Sheets**

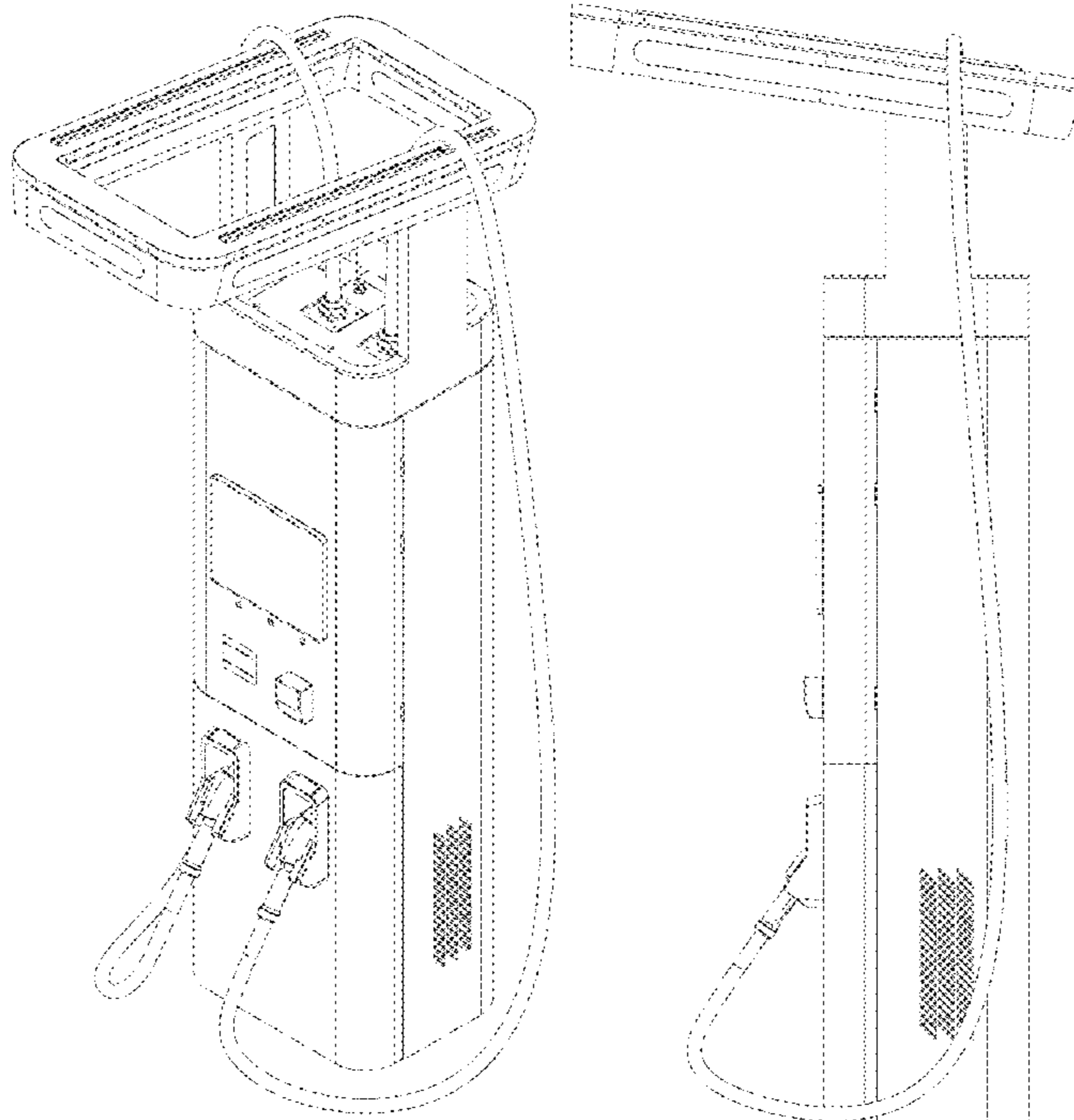


FIG. 1

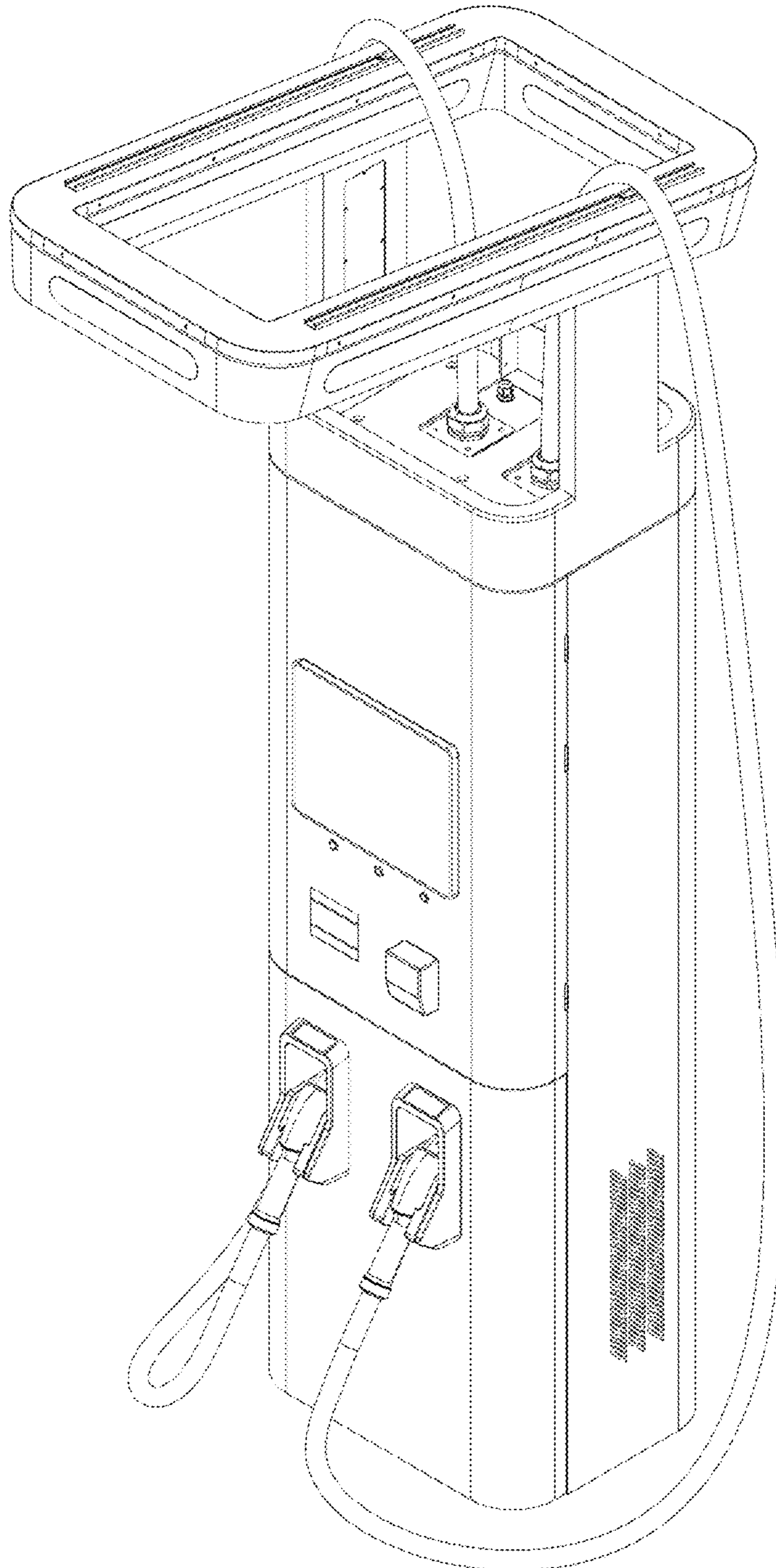


FIG. 2

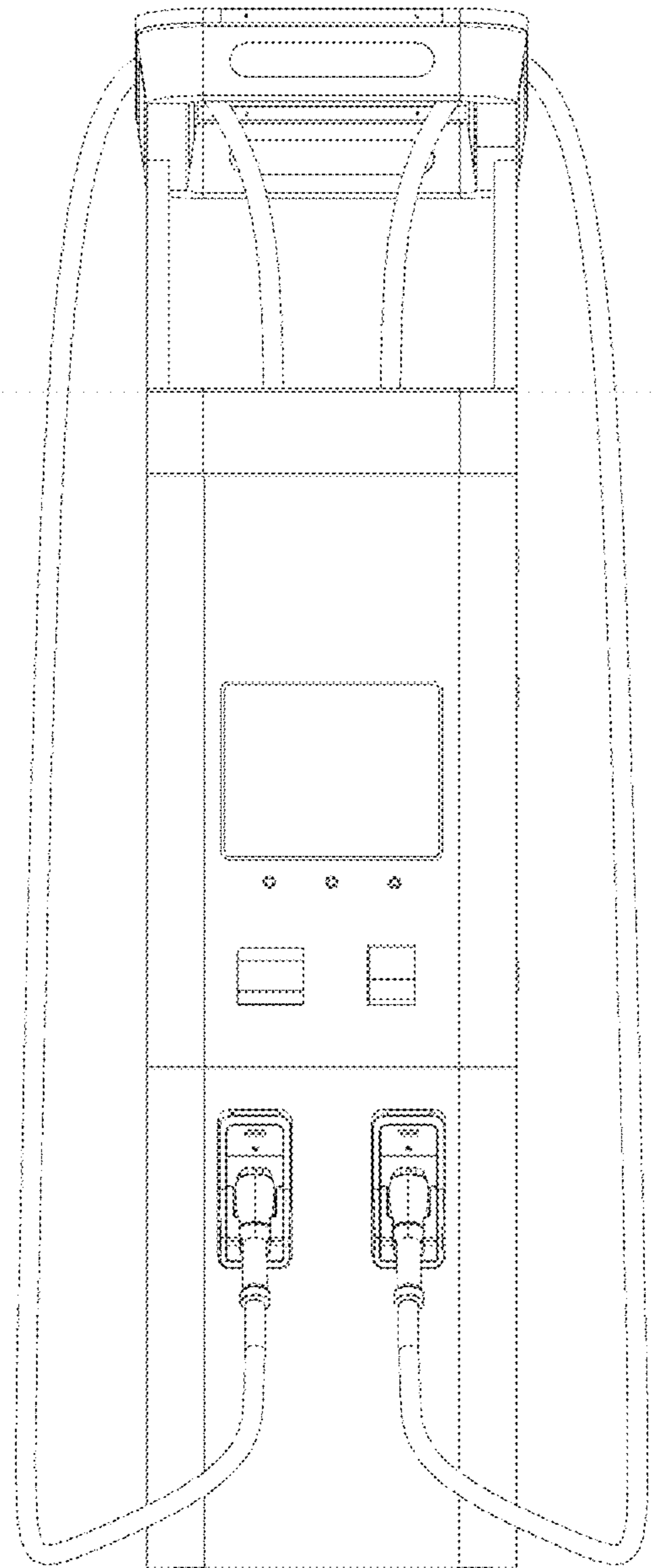


FIG. 3

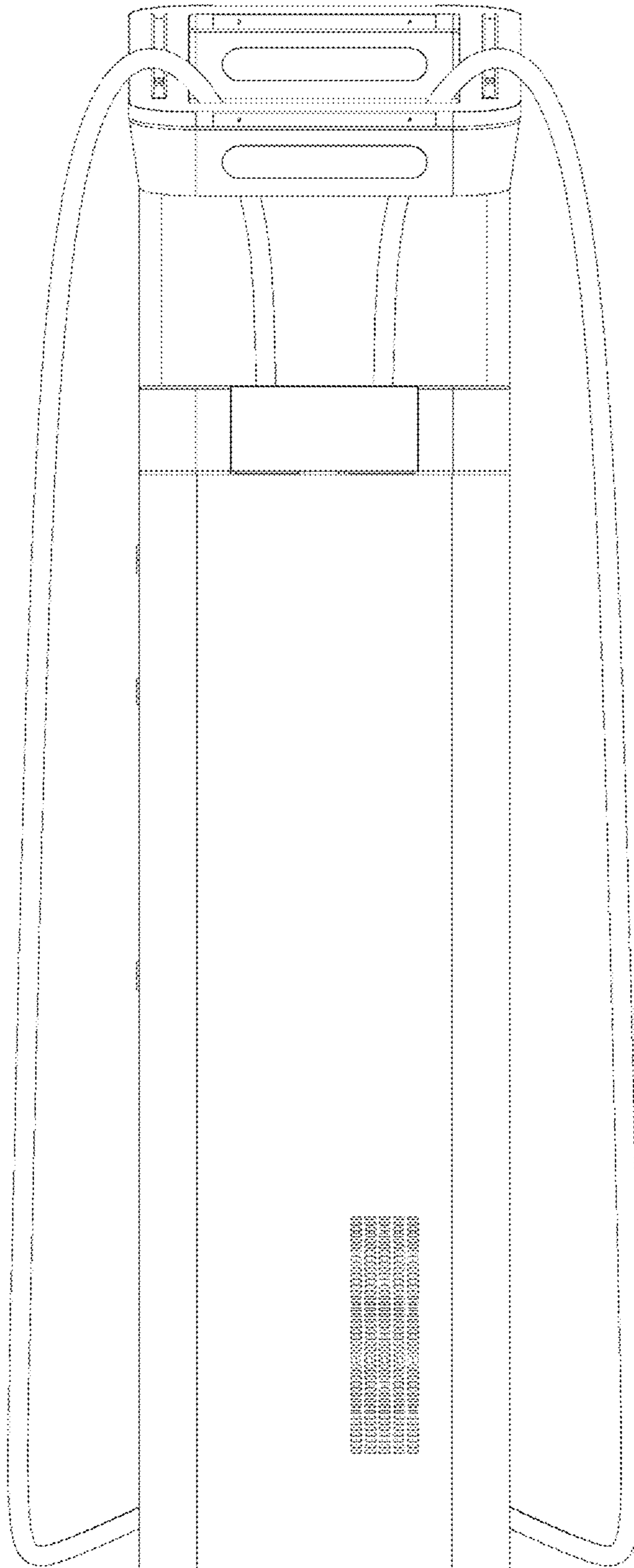


FIG. 4

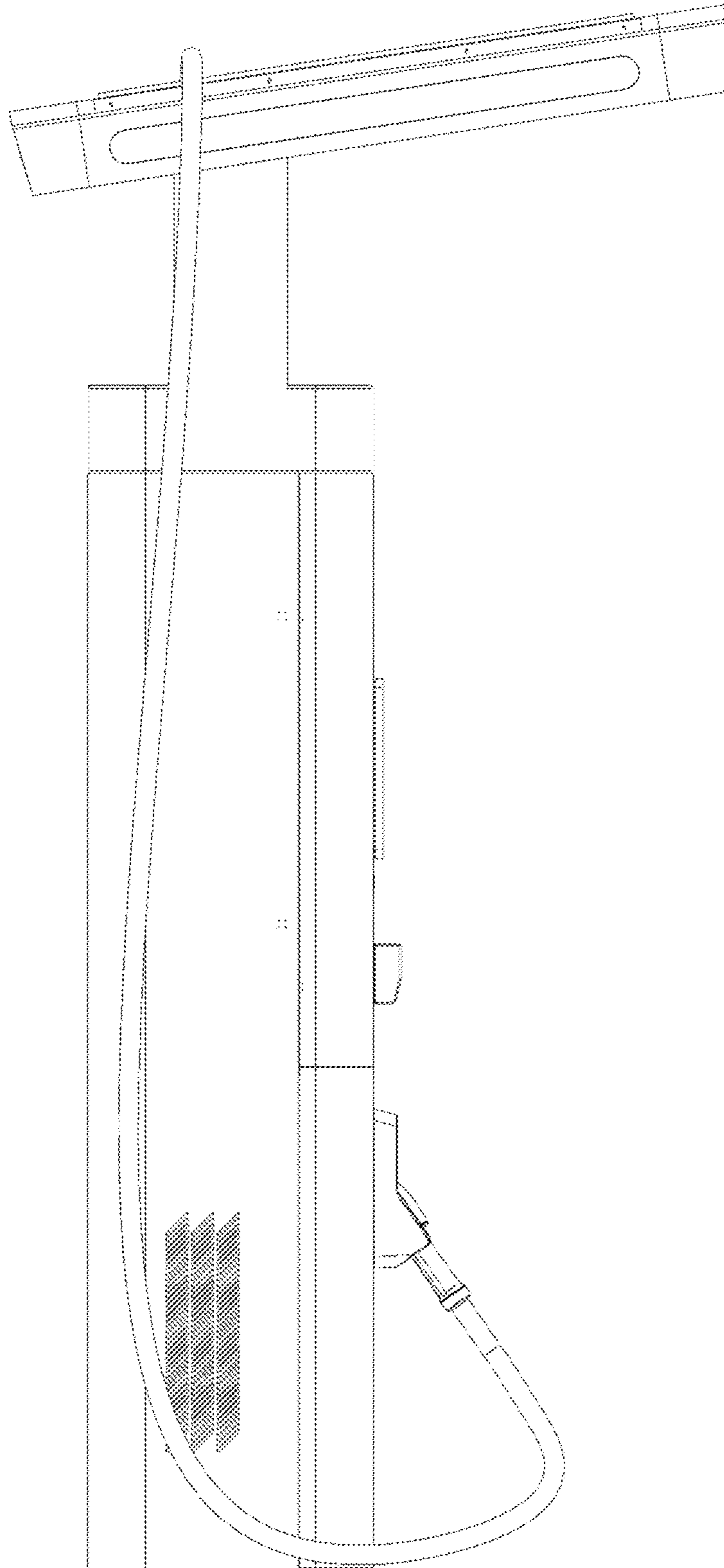


FIG. 5

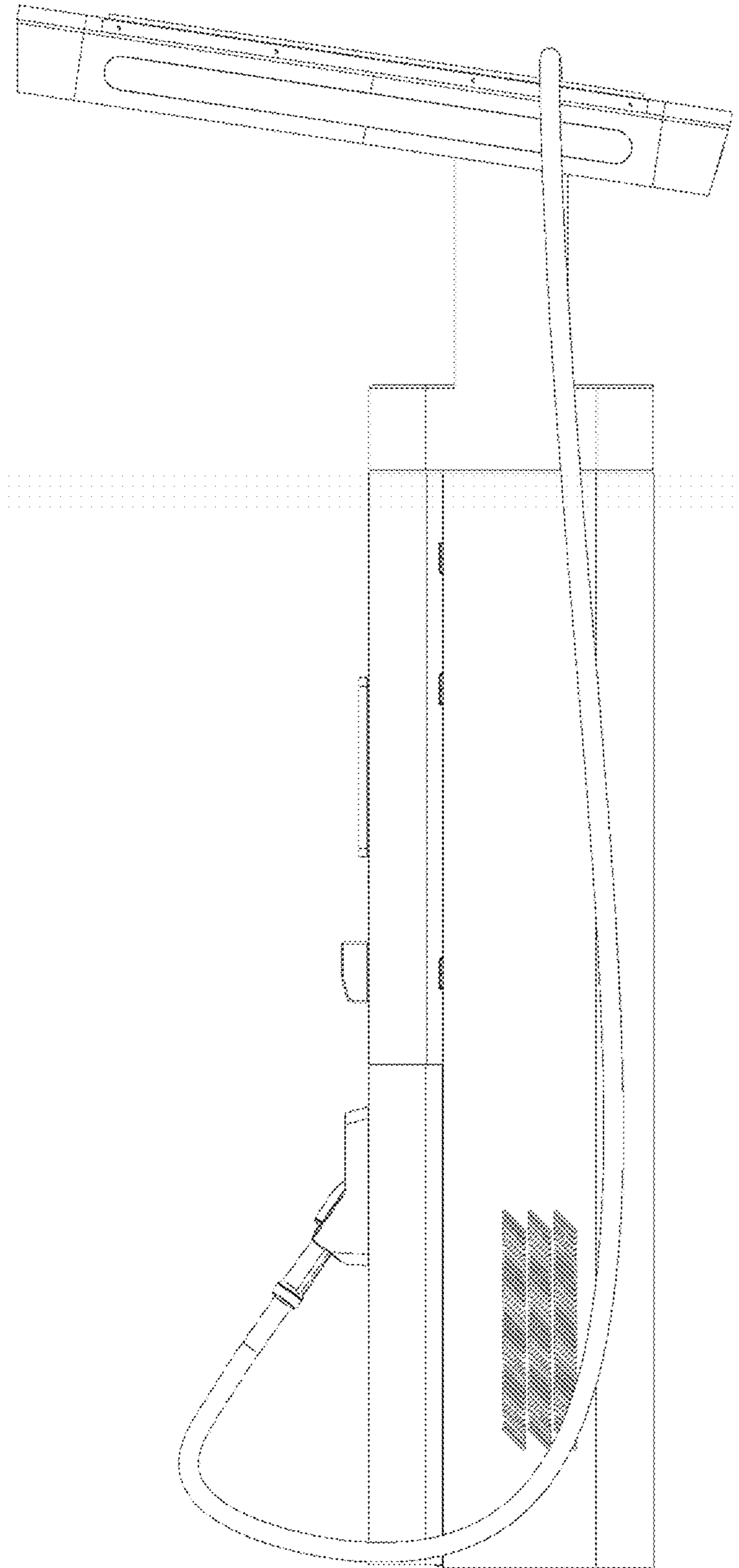


FIG. 6

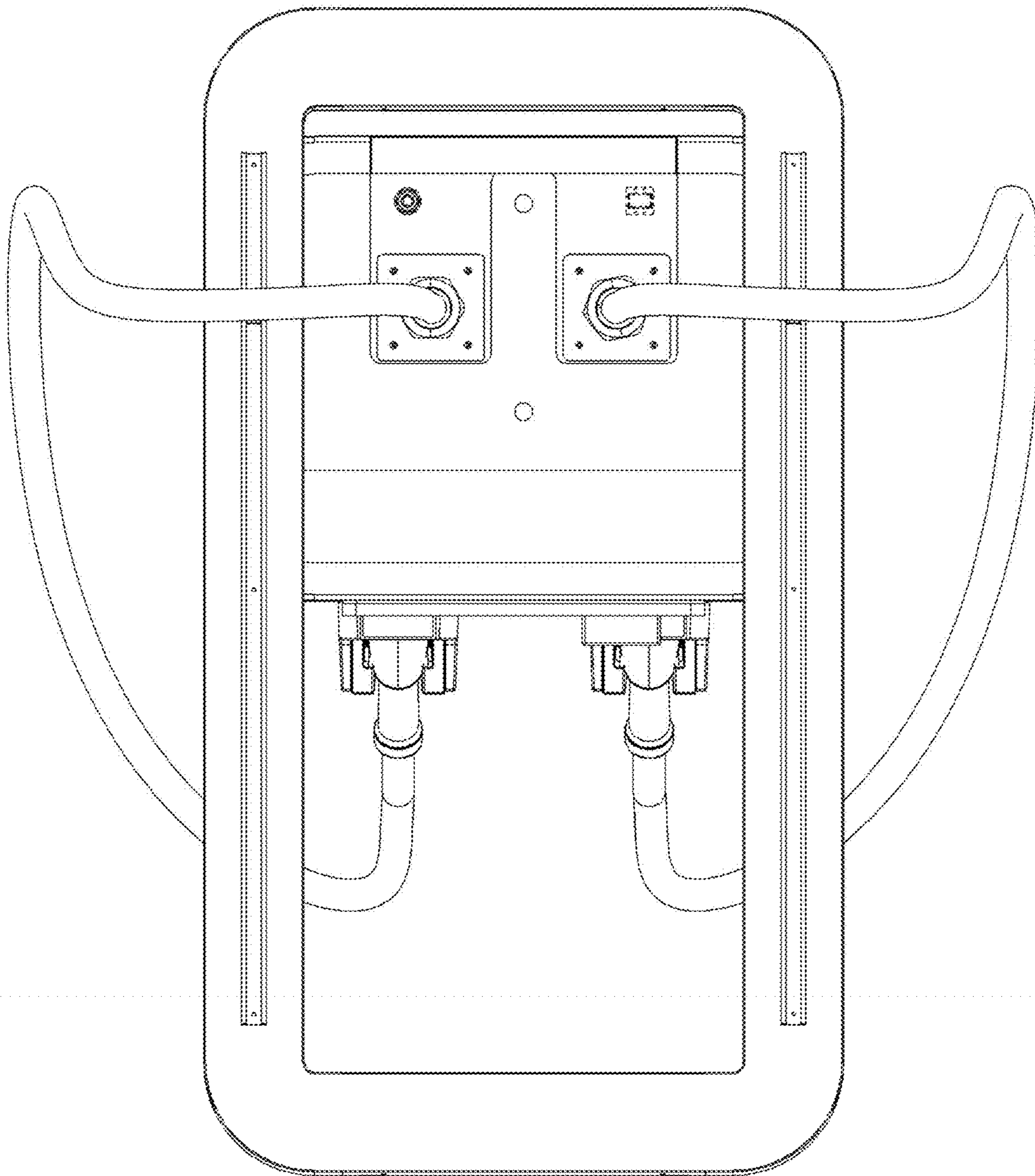


FIG. 7

