



US00D961501S

(12) **United States Design Patent**
Saito et al.

(10) **Patent No.:** **US D961,501 S**
(45) **Date of Patent:** **** Aug. 23, 2022**

- (54) **BATTERY PACK FOR A CAMERA**
- (71) Applicant: **NIKON CORPORATION**, Tokyo (JP)
- (72) Inventors: **Yoshihisa Saito**, Tokyo (JP); **Shiki Inoue**, Tokyo (JP); **Atsushi Hamazaki**, Tokyo (JP)
- (73) Assignee: **NIKON CORPORATION**, Tokyo (JP)
- (**) Term: **15 Years**
- (21) Appl. No.: **35/511,674**
- (22) Filed: **Mar. 15, 2021**
- (80) **Hague Agreement Data**
Int. Filing Date: **Mar. 15, 2021**
Int. Reg. No.: **DM/213457**
Int. Reg. Date: **Mar. 15, 2021**
Int. Reg. Pub. Date: **Apr. 9, 2021**

D496,332	S	*	9/2004	Naito	D13/103
D556,680	S	*	12/2007	Matsumoto	D13/103
8,865,339	B2	*	10/2014	Enari	H01M 10/425 429/178
D745,080	S	*	12/2015	Masano	D16/237
D858,433	S	*	9/2019	Gan	D13/103
D895,715	S	*	9/2020	Imamizu	D16/237
D919,562	S	*	5/2021	Saito	D16/237
D920,231	S	*	5/2021	Saito	D16/237
D927,415	S	*	8/2021	Li	D13/103
D931,801	S	*	9/2021	Timm	D13/103
D939,432	S	*	12/2021	Botsai	D13/103
2005/0281554	A1	*	12/2005	Iwasa	G03B 17/02 396/539
2019/0377243	A1	*	12/2019	Chishima	G03B 17/56

- (30) **Foreign Application Priority Data**
Sep. 30, 2020 (JP) 2020-020885 D
- (51) **LOC (13) Cl.** **13-02**
- (52) **U.S. Cl.**
USPC **D13/103**
- (58) **Field of Classification Search**
USPC D13/103; D16/237, 242
CPC .. H01M 10/425; H01M 50/247; G03B 17/56;
G03B 17/02
See application file for complete search history.

FOREIGN PATENT DOCUMENTS

CN	D303239055	S	6/2015
CN	D30407243	S	3/2017
CN	D305291073	S	8/2019
JP	D1386928	S	5/2010

(Continued)

Primary Examiner — Rhea Shields
(74) *Attorney, Agent, or Firm* — Cantor Colburn LLP

- (56) **References Cited**
U.S. PATENT DOCUMENTS

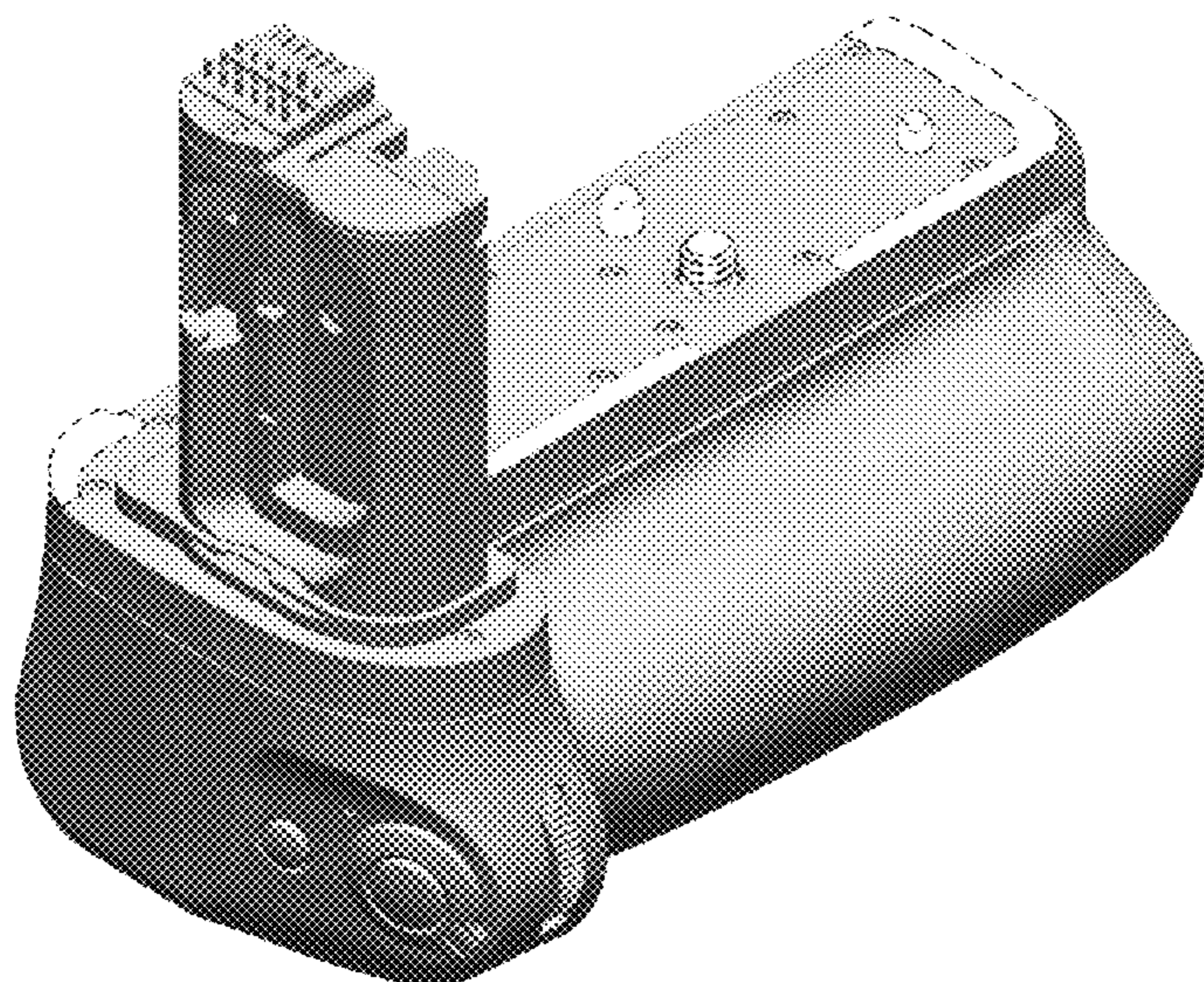
D331,906	S	*	12/1992	Mohri	D13/103
D427,223	S	*	6/2000	Shimamura	D16/242
6,166,519	A	*	12/2000	Gault	H01M 50/247 320/112

- (57) **CLAIM**
The ornamental design for a battery pack for a camera, as shown and described.

DESCRIPTION

- 1. Battery pack for a camera
- 1.1 : Front perspective view
- 1.2 : Back perspective view
- 1.3 : Front
- 1.4 : Back
- 1.5 : Top
- 1.6 : Bottom
- 1.7 : Right
- 1.8 : Left
- The broken lines in the figures form no part of the claimed design.

1 Claim, 8 Drawing Sheets



(56)

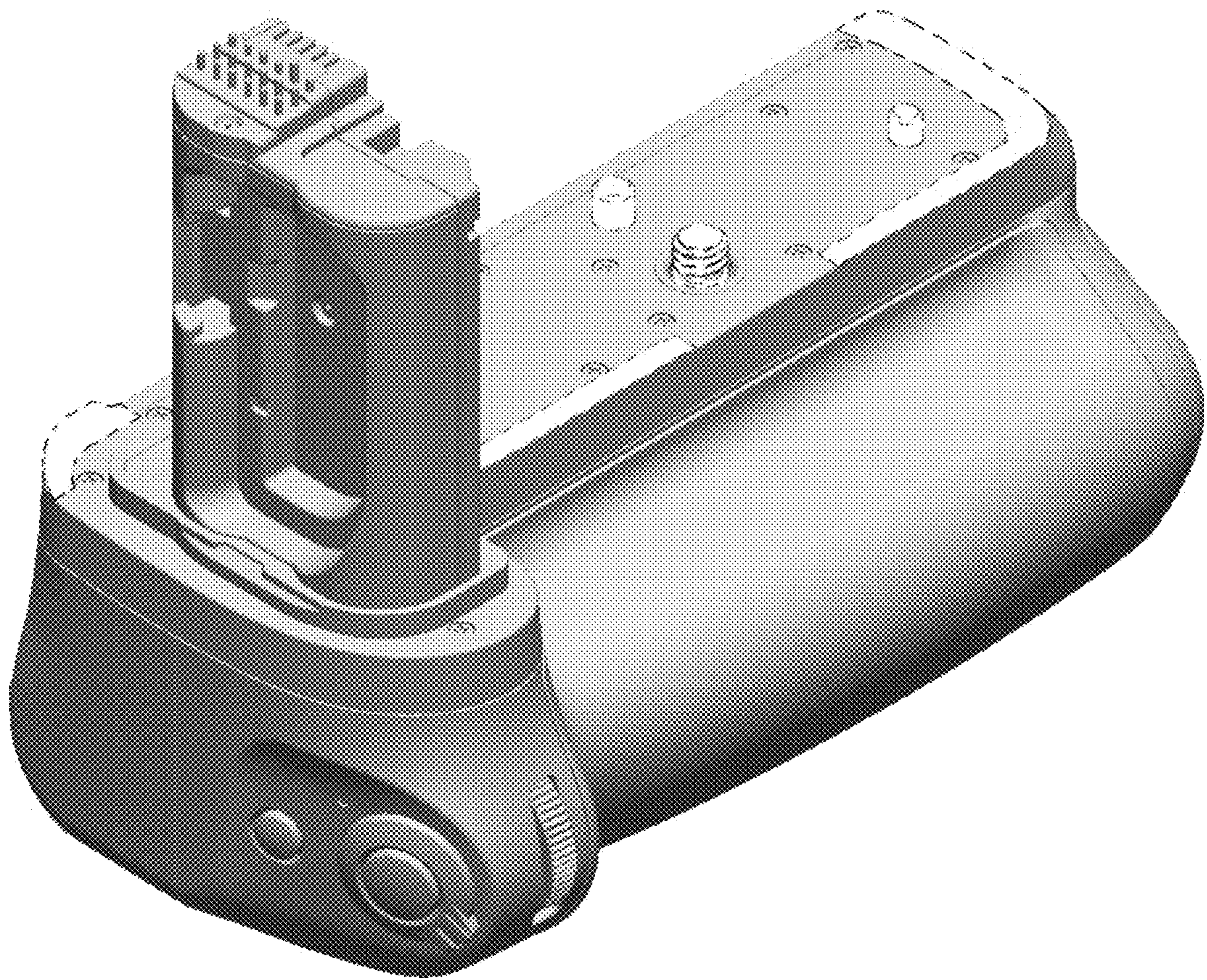
References Cited

FOREIGN PATENT DOCUMENTS

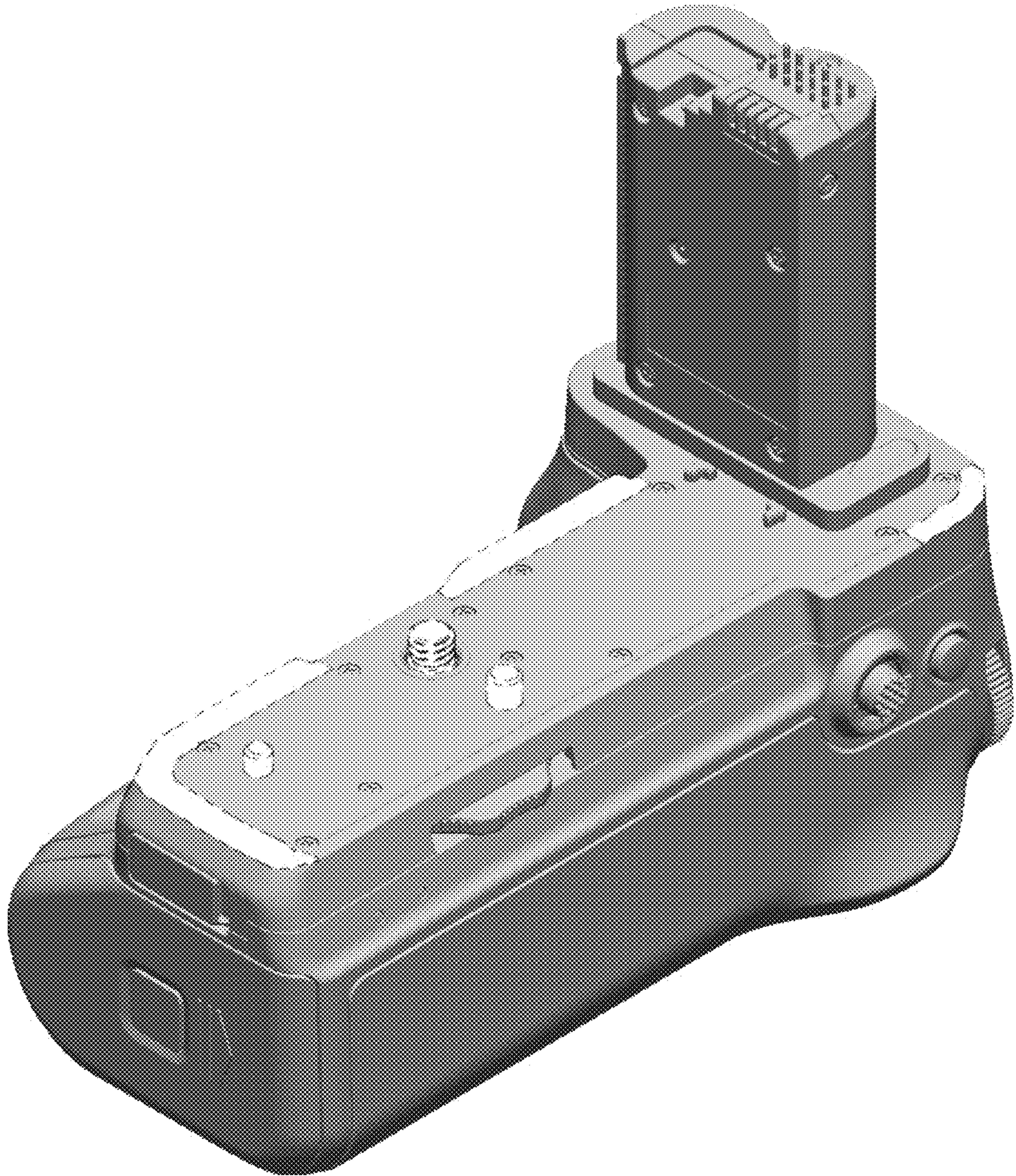
JP	D1514907 S	1/2015
JP	D1533328 S	9/2015
JP	D1573553 S	4/2017
JP	D1631549 S	5/2019
JP	D1645729 S	12/2019
JP	D1645730 S	12/2019
JP	D1646087 S	12/2019
JP	D1648774 S	12/2019

* cited by examiner

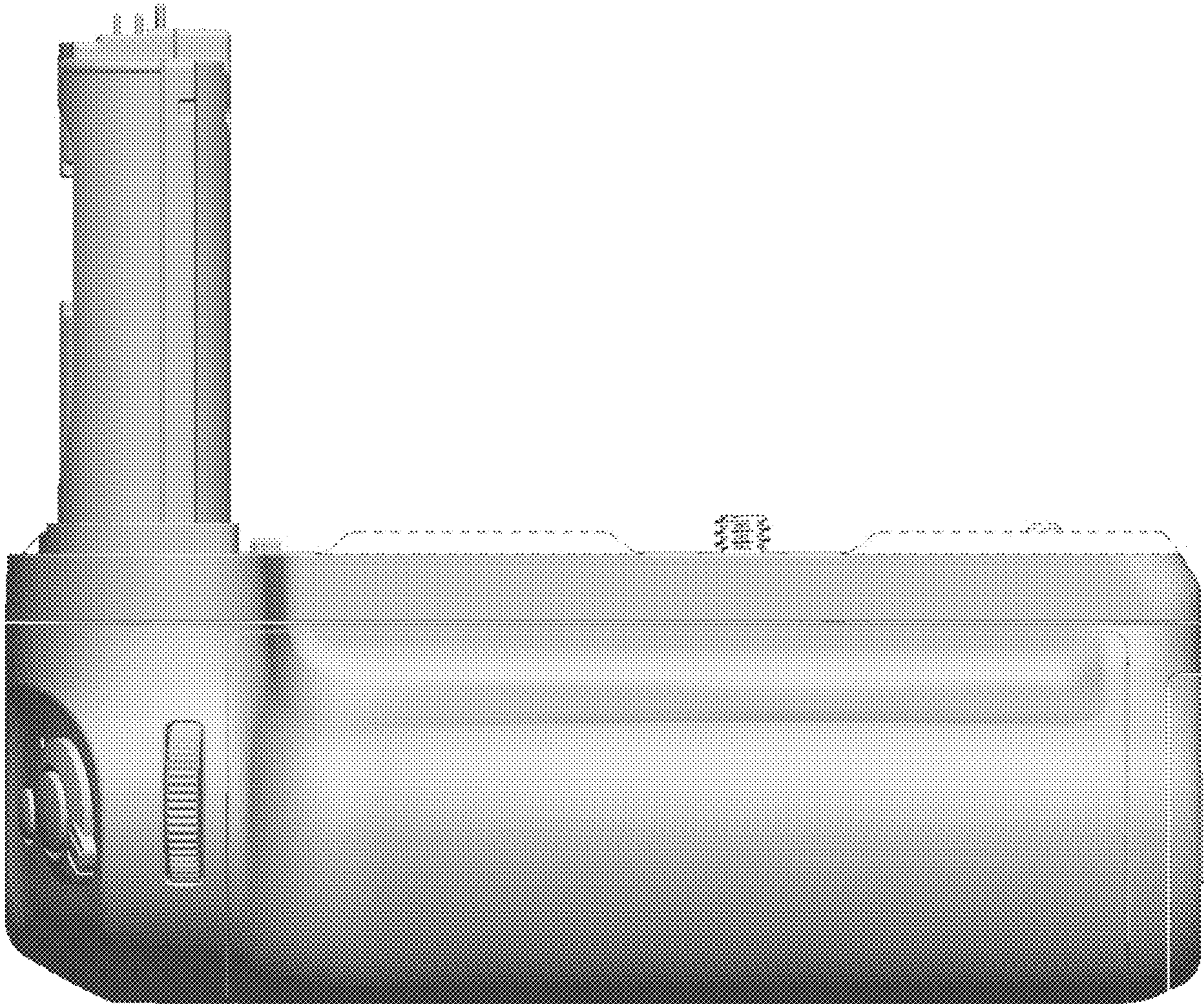
1.1



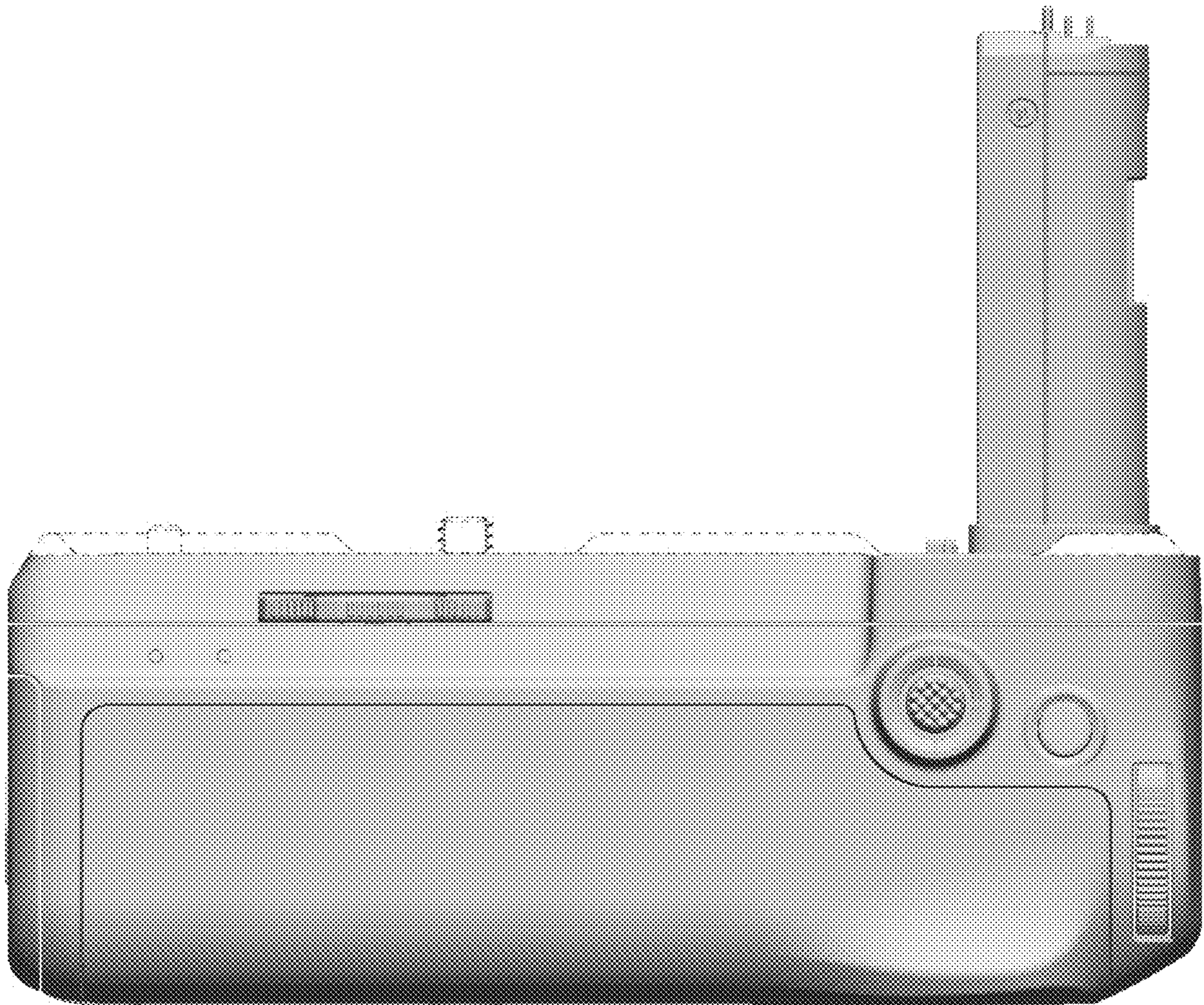
1.2



1.3



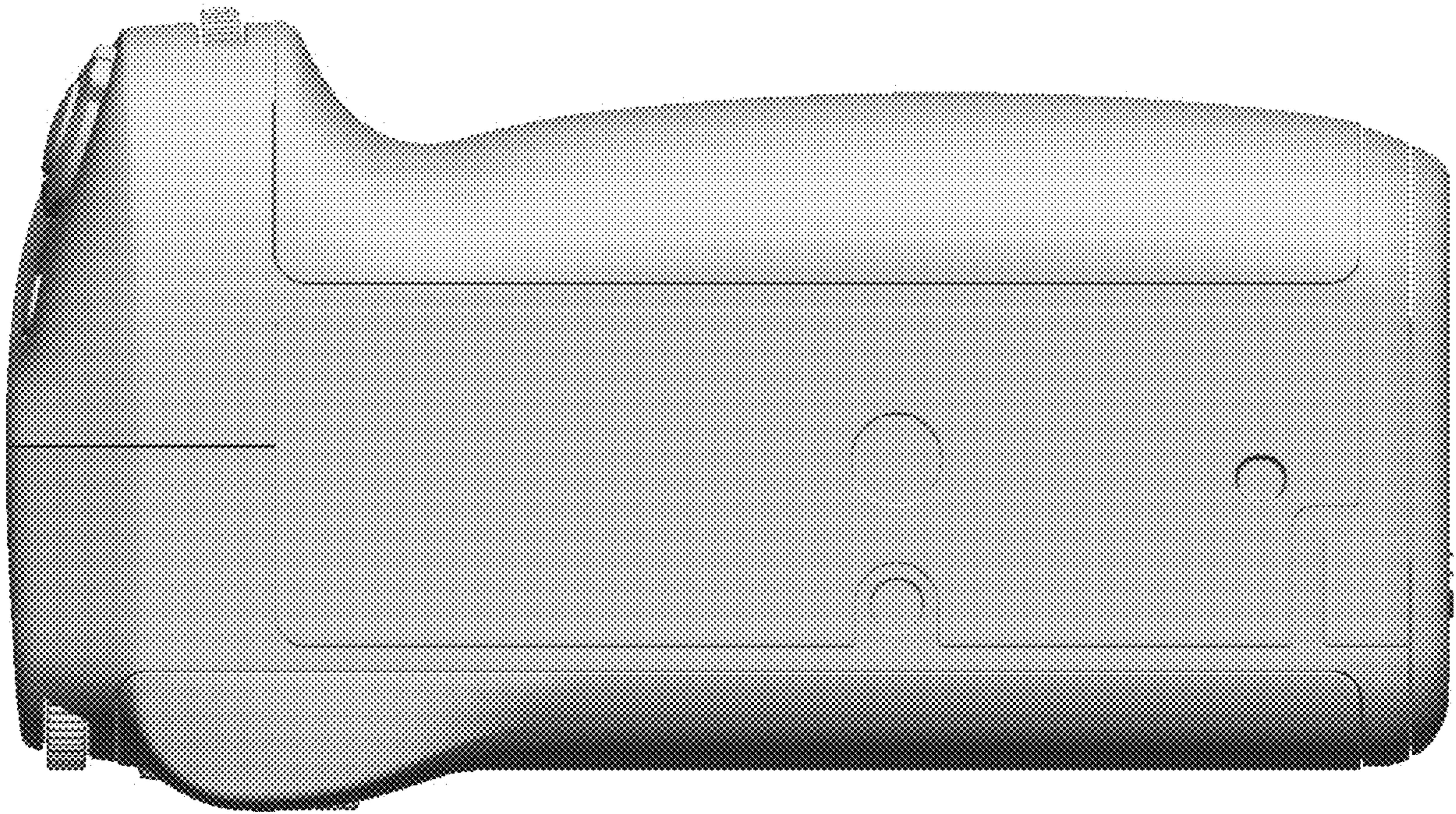
1.4



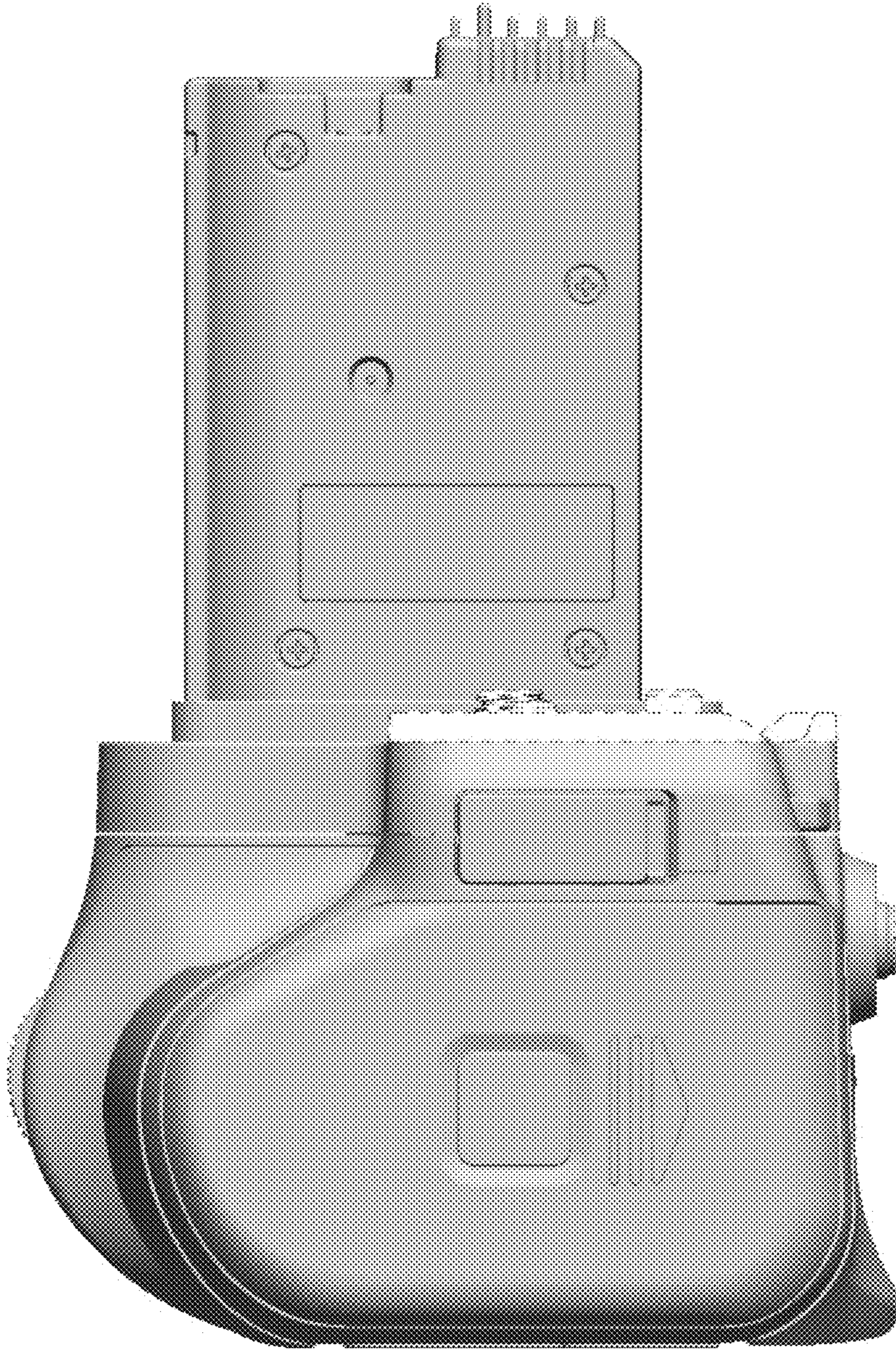
1.5



1.6



1.7



1.8

