



US00D961500S

(12) **United States Design Patent**
Sun et al.

(10) **Patent No.:** **US D961,500 S**

(45) **Date of Patent:** **** Aug. 23, 2022**

(54) **POWER SUPPLY**

(71) Applicant: **SHENZHEN HELLO TECH ENERGY CO LTD**, Guangdong (CN)

(72) Inventors: **Zhongwei Sun**, Guangdong (CN); **Zhiyuan Zhong**, Guangdong (CN); **Wei Bai**, Guangdong (CN); **Tao Yang**, Guangdong (CN)

(73) Assignee: **SHENZHEN HELLO TECH ENERGY CO LTD**, Shenzhen (CN)

(**) Term: **15 Years**

(21) Appl. No.: **29/753,781**

(22) Filed: **Oct. 1, 2020**

(30) **Foreign Application Priority Data**

Aug. 5, 2020 (CN) 202030440422.7

(51) **LOC (13) Cl.** **13-02**

(52) **U.S. Cl.**
USPC **D13/103; D13/107; D13/116**

(58) **Field of Classification Search**
USPC D13/103, 106, 107, 108, 109, 110, 112, D13/116, 118, 119, 184, 199; D15/199
CPC F02N 11/12; F02B 63/04; H02J 7/0045
See application file for complete search history.

(56) **References Cited**

U.S. PATENT DOCUMENTS

D643,810 S *	8/2011	Qualls	D13/106
D695,680 S *	12/2013	Workman	D13/106
D773,992 S *	12/2016	Krantz	D13/110
D793,338 S *	8/2017	Zheng	D13/116
D842,240 S *	3/2019	Lai	D13/107
10,294,858 B2 *	5/2019	Lan	F02B 63/048
D873,767 S *	1/2020	Rao	D13/107
D897,284 S *	9/2020	Sun	D13/103
D910,550 S *	2/2021	Bell	D13/107

D910,560 S *	2/2021	Inskeep	D13/110
D922,944 S *	6/2021	Fu	D13/103
2016/0129524 A1 *	5/2016	Evans	B23K 37/0294 219/136

(Continued)

OTHER PUBLICATIONS

“Goal Zero Yeti Portable Power Station”. Found online Aug. 24, 2021 at amazon.com. Reference dated Aug. 7, 2016. Retrieved from https://www.amazon.com/Goal-Zero-Portable-Generator-Alternative/dp/B00D5RVMAM/ref=sr_1_9. (Year: 2016).*

(Continued)

Primary Examiner — Kendra Leslie Hamilton

Assistant Examiner — Amanda Christensen

(74) *Attorney, Agent, or Firm* — Dragon Sun Law Firm, PC; Jinggao Li, Esq.; Nathaniel Perkins

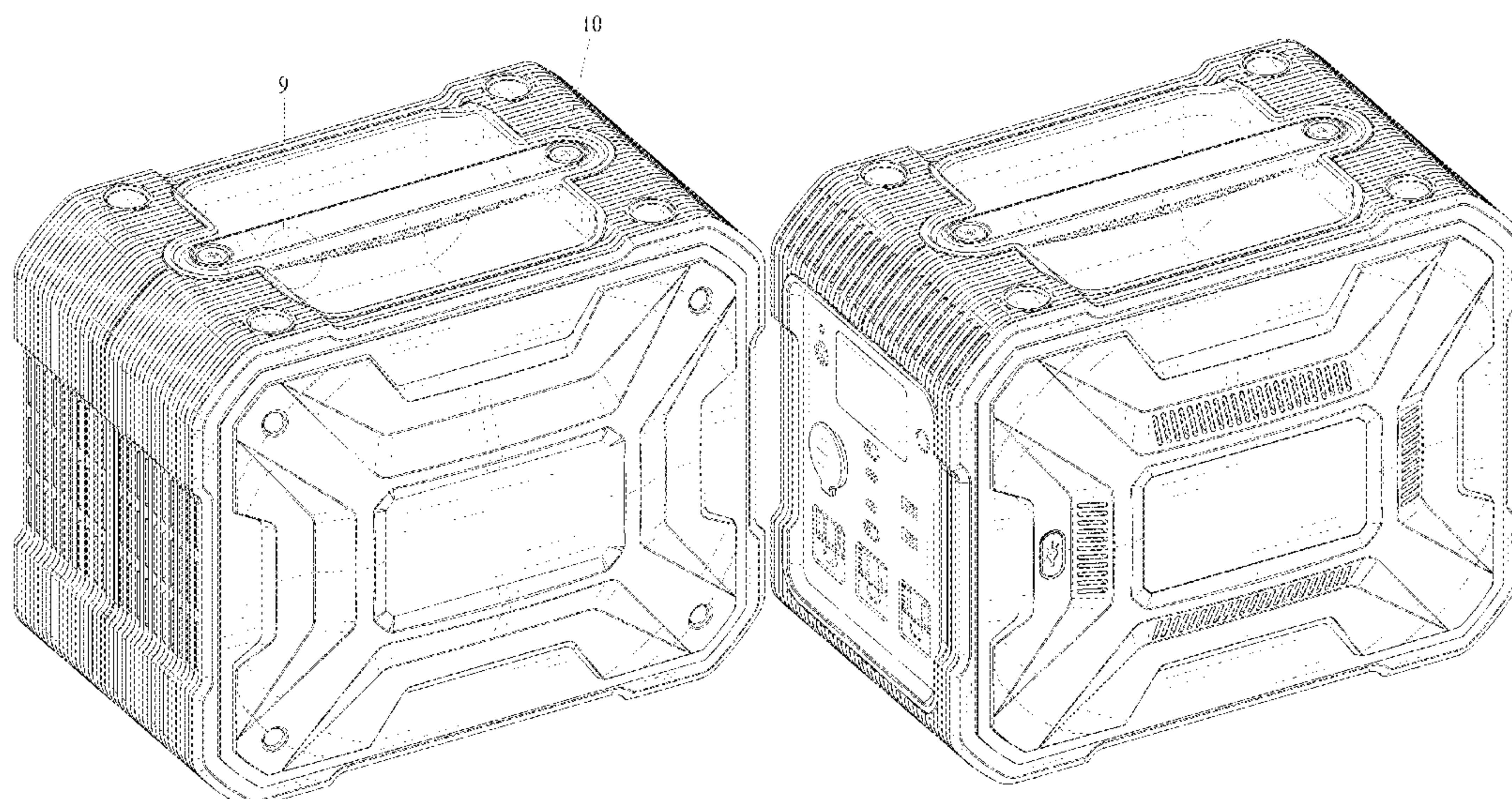
(57) **CLAIM**

The ornamental design for a power supply, as shown and described.

DESCRIPTION

FIG. 1 is a top, front, left side perspective view of a power supply showing our new design;
FIG. 2 is a top, rear, right side perspective view thereof;
FIG. 3 is a front view thereof;
FIG. 4 is a rear view thereof;
FIG. 5 is a left view thereof;
FIG. 6 is a right view thereof;
FIG. 7 is a top view thereof;
FIG. 8 is a bottom view thereof;
FIG. 9 is a partially enlarged view of FIG. 1;
FIG. 10 is another partially enlarged view of FIG. 1;
FIG. 11 is a partially enlarged view of FIG. 6; and,
FIG. 12 is another partially enlarged view of FIG. 6.
The broken lines shown in the figures depict portions of the power supply that form no part of the claimed design.

1 Claim, 12 Drawing Sheets



(56)

References Cited

U.S. PATENT DOCUMENTS

2020/0343748 A1* 10/2020 Ho H02J 7/025

OTHER PUBLICATIONS

“Rockpals Portable Power Station”. Found online Aug. 24, 2021 at amazon.com. Reference dated Apr. 27, 2017. Retrieved from <https://www.amazon.com/dp/B07FFNTGZ6?tag=theenergyfixart-20&linkCode=ogi&th=1&psc=1>. (Year: 2017).*

“DenGaWa Portable Power Station”. Found online Jan. 10, 2022 at amazon.com. Reference dated Aug. 19, 2019. Retrieved from https://www.amazon.com/DenGaWa-Portable-Station-Outdoors-Emergency/dp/B07WQYLZFQ/ref=asc_df_B07WQYLZFQ/. (Year: 2019).*

* cited by examiner

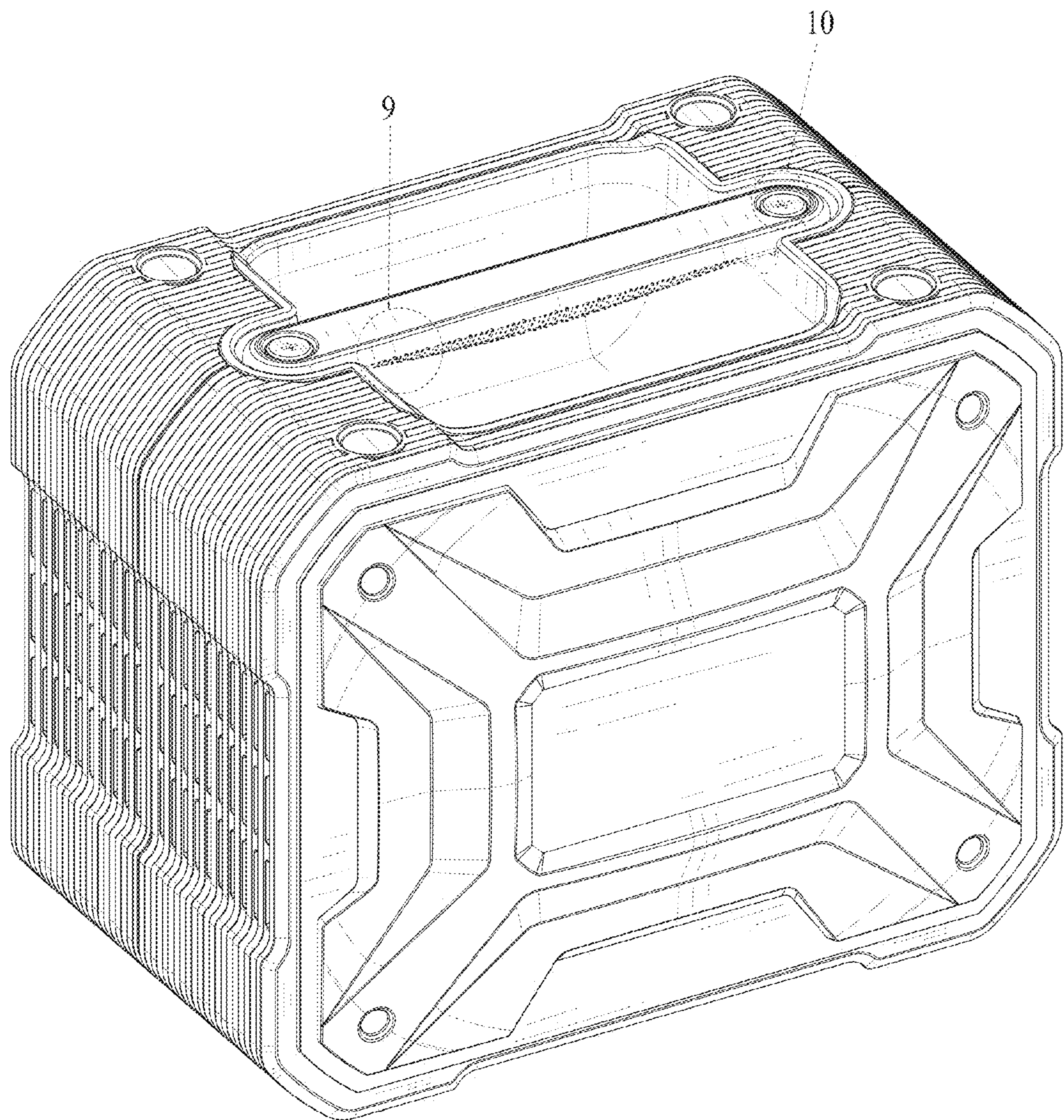


FIG. 1

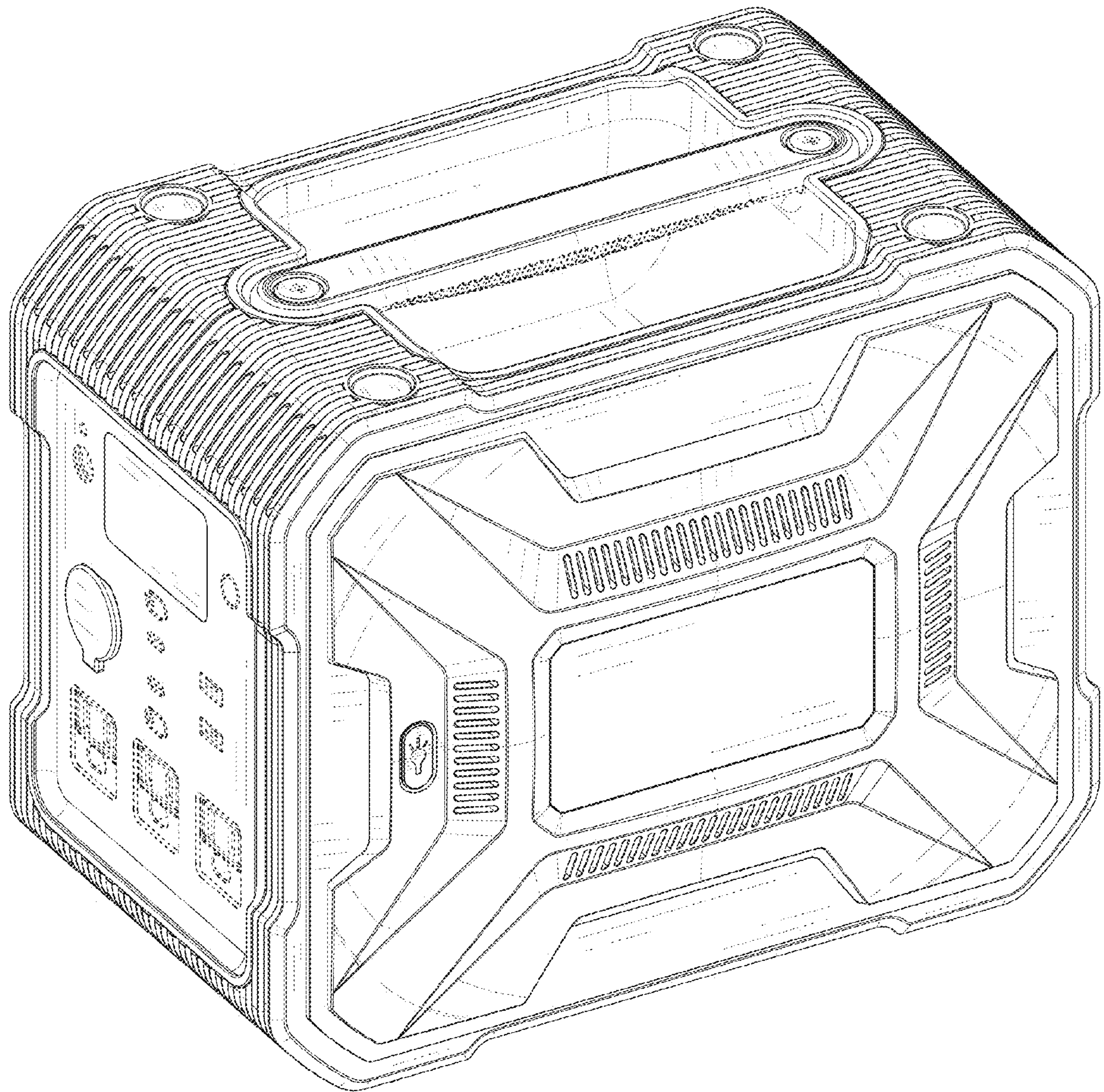


FIG. 2

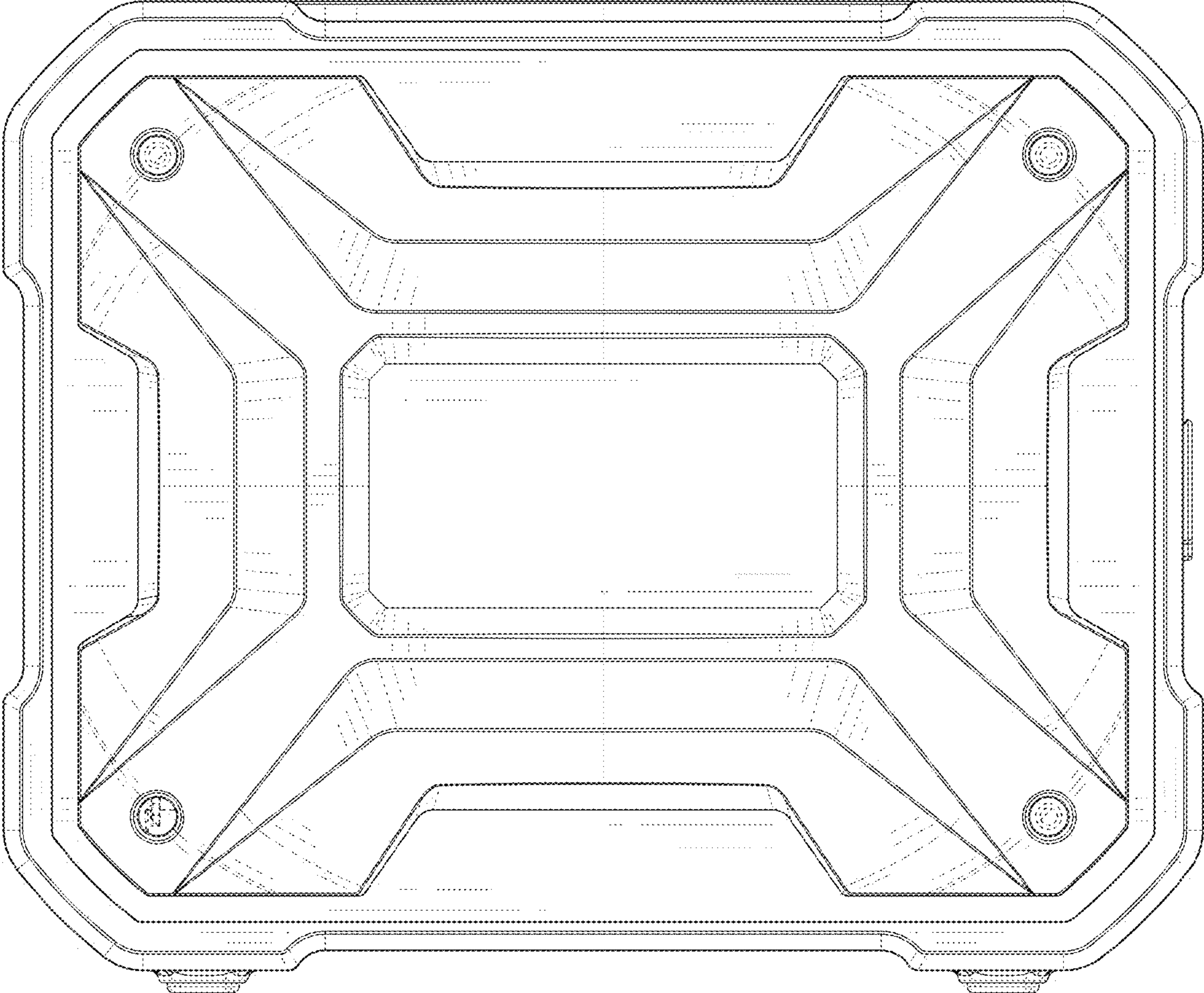


FIG. 3

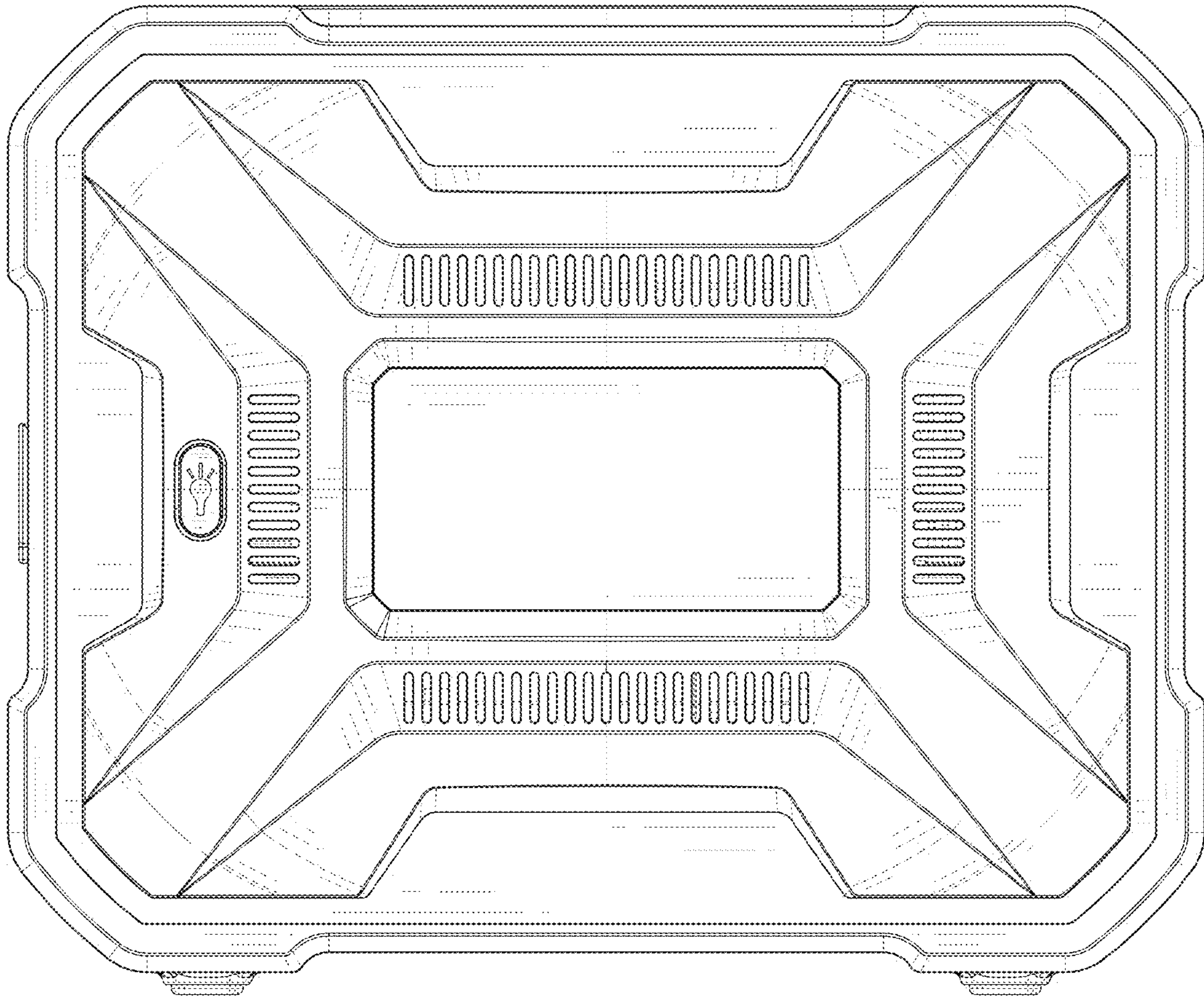


FIG. 4

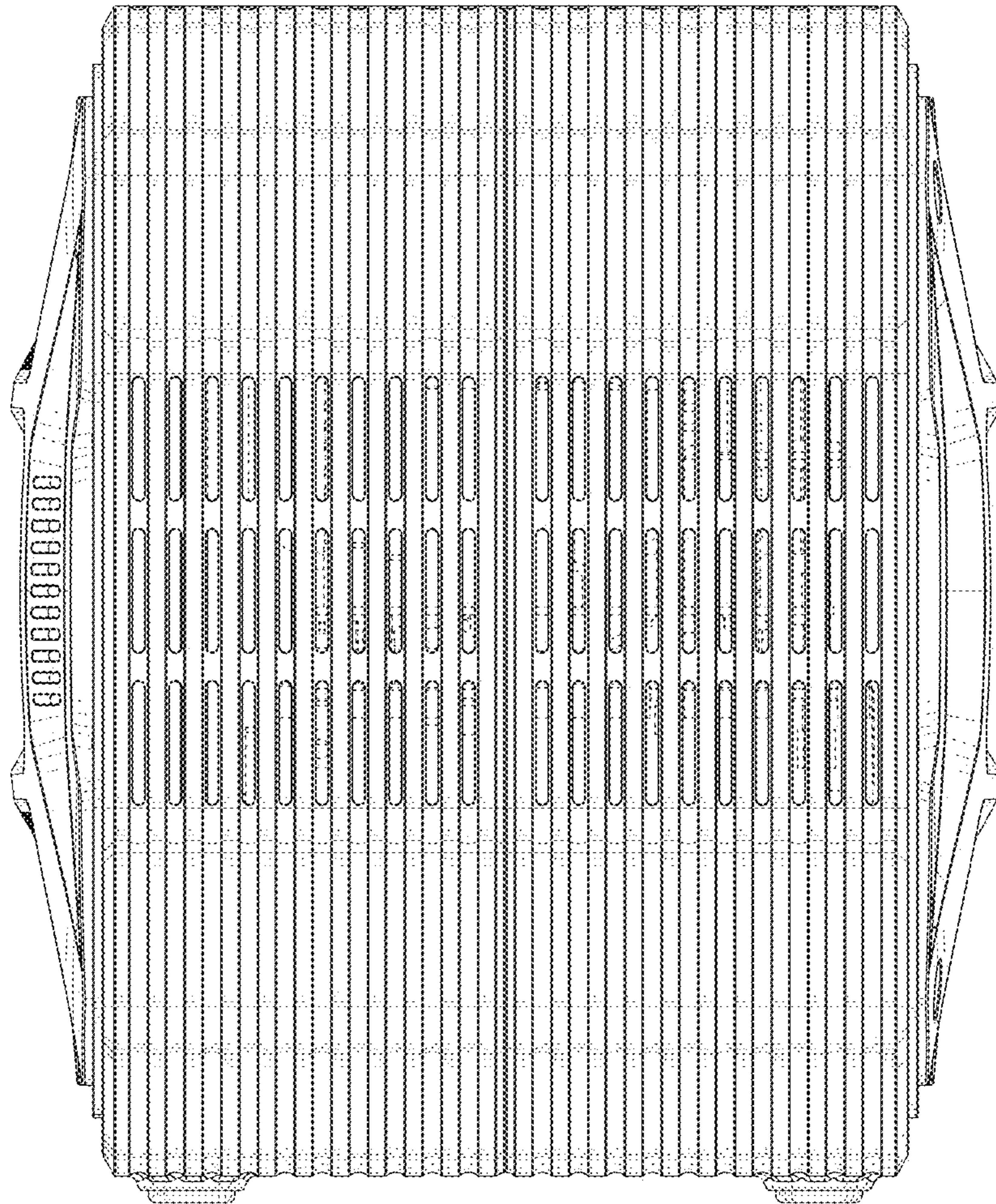


FIG. 5

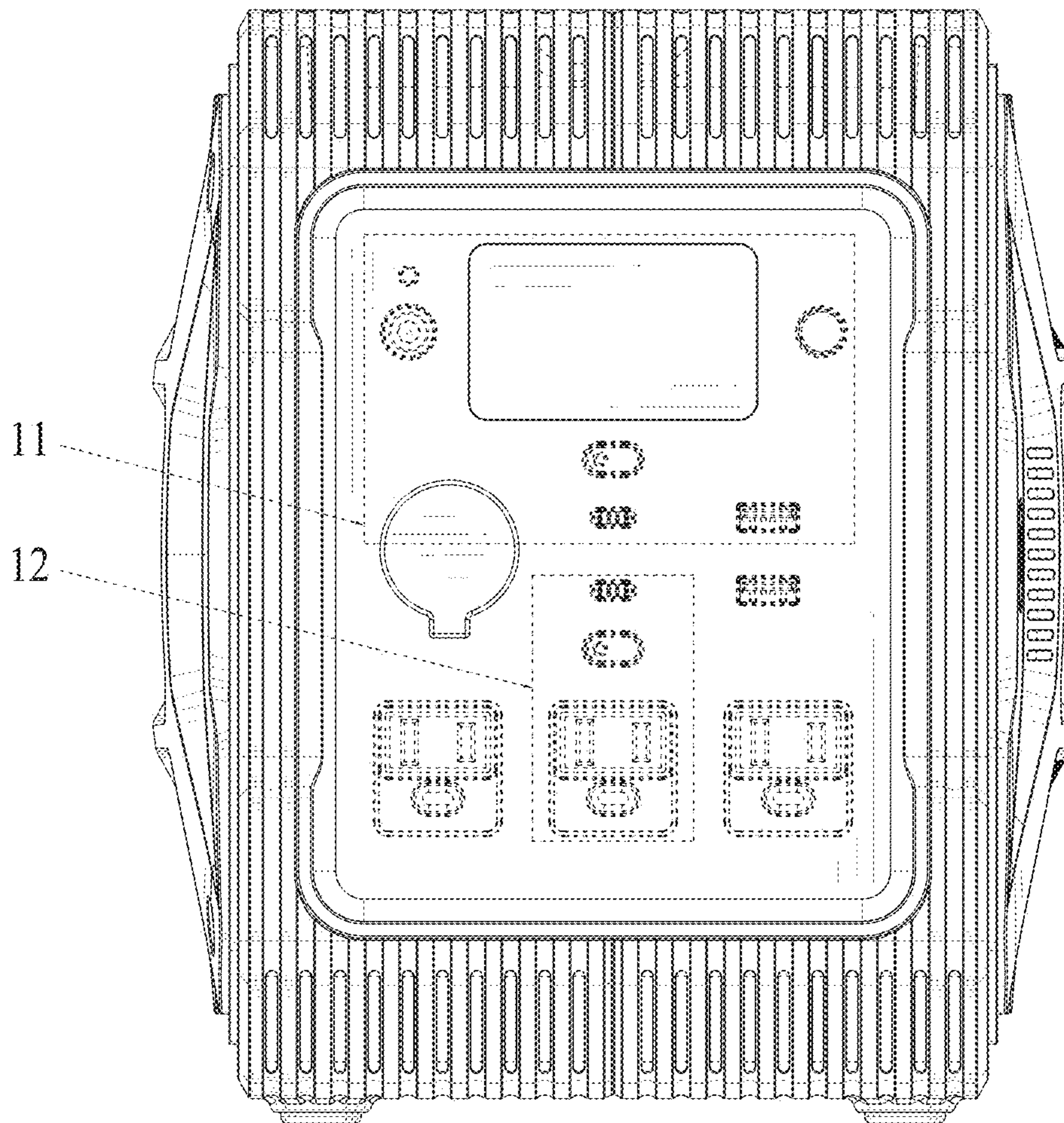


FIG. 6

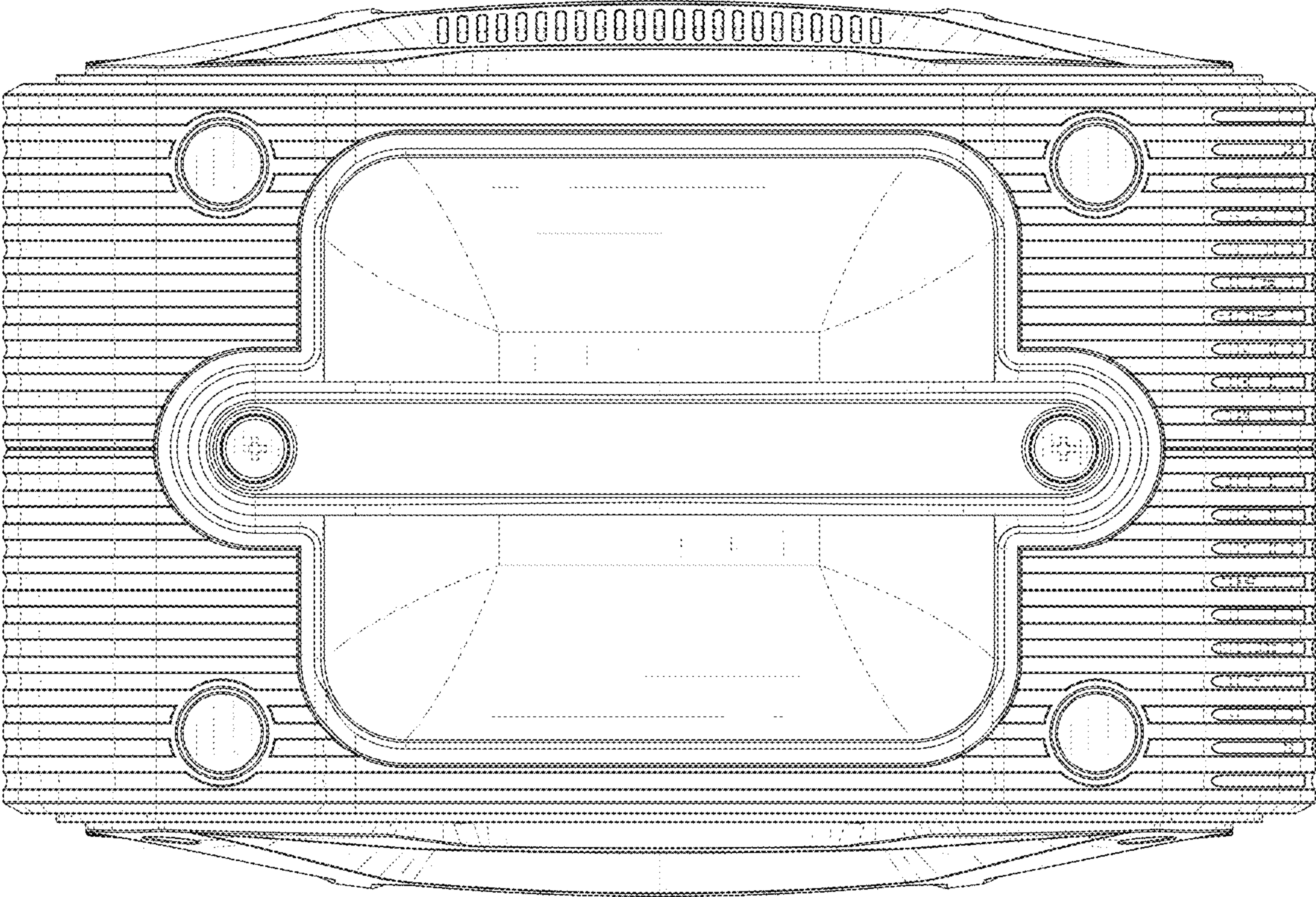


FIG. 7

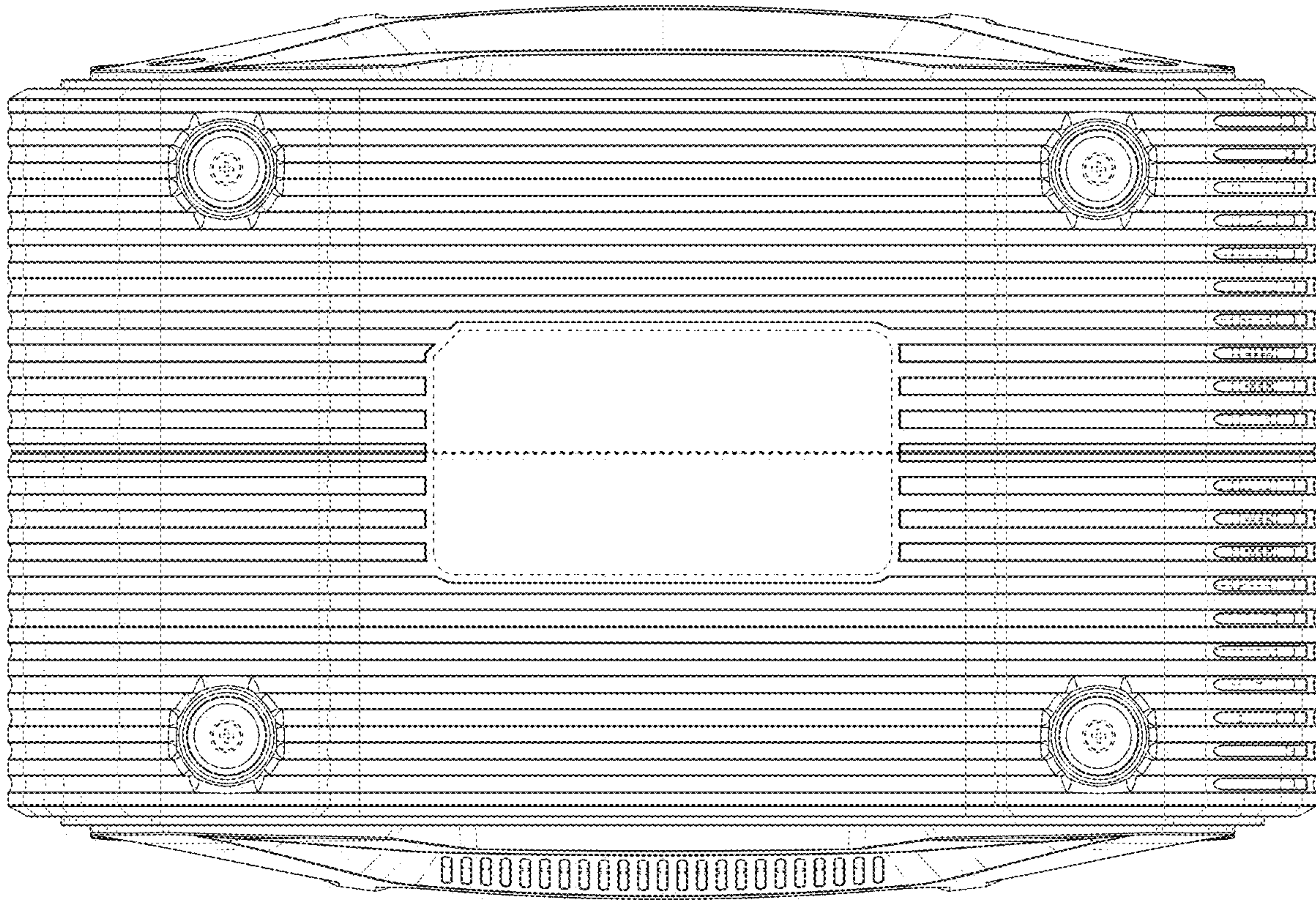


FIG. 8

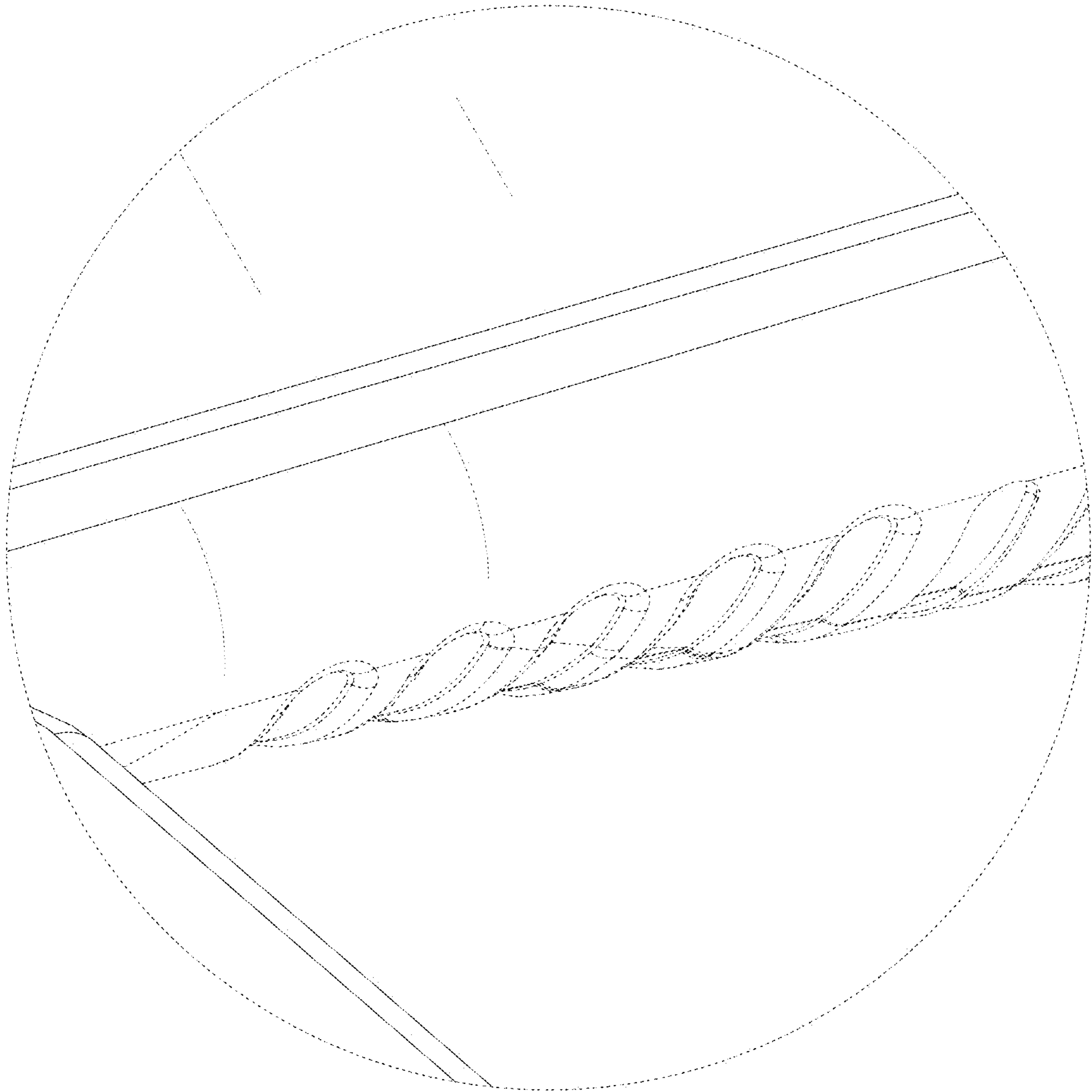


FIG. 9

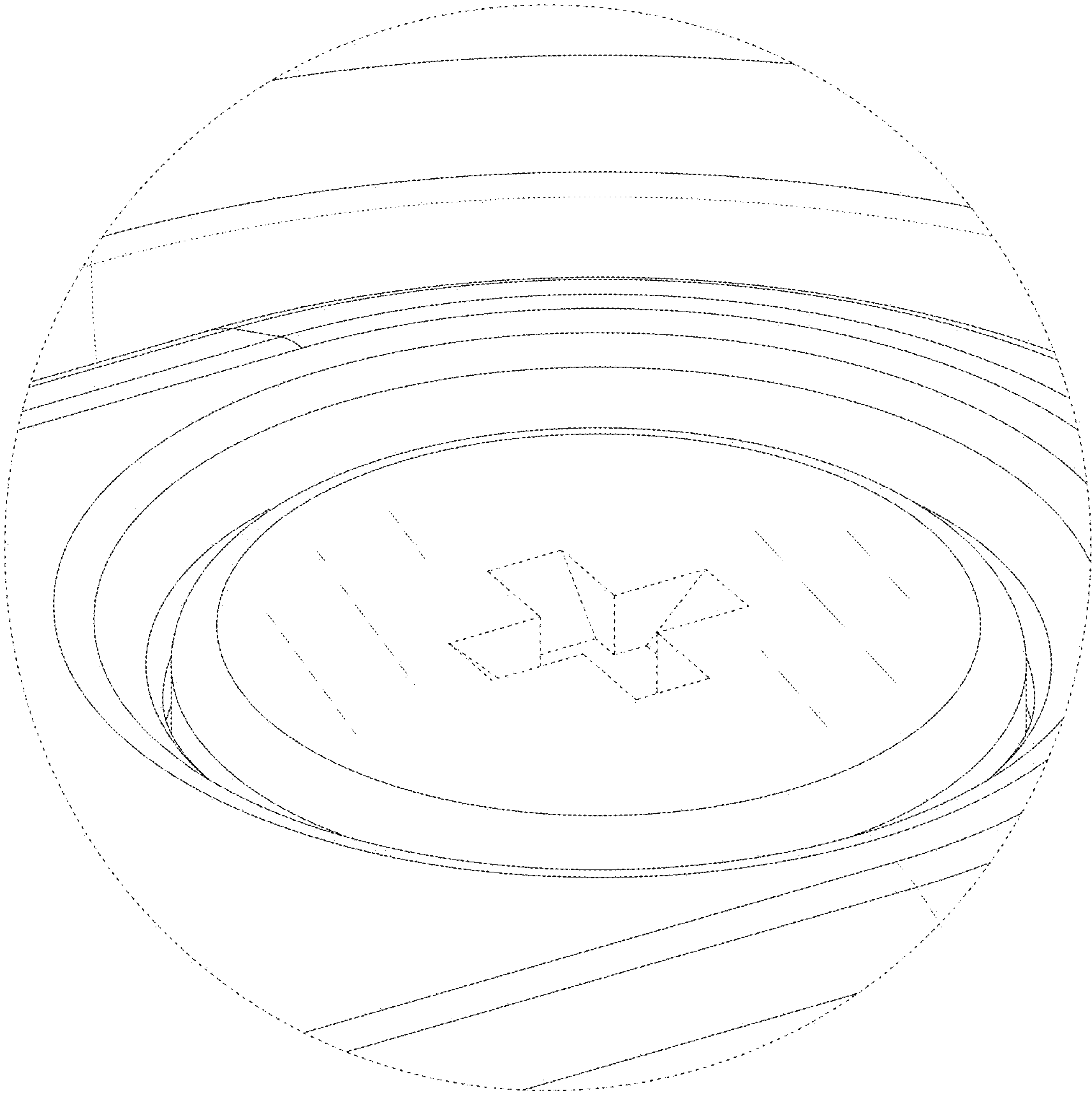


FIG. 10

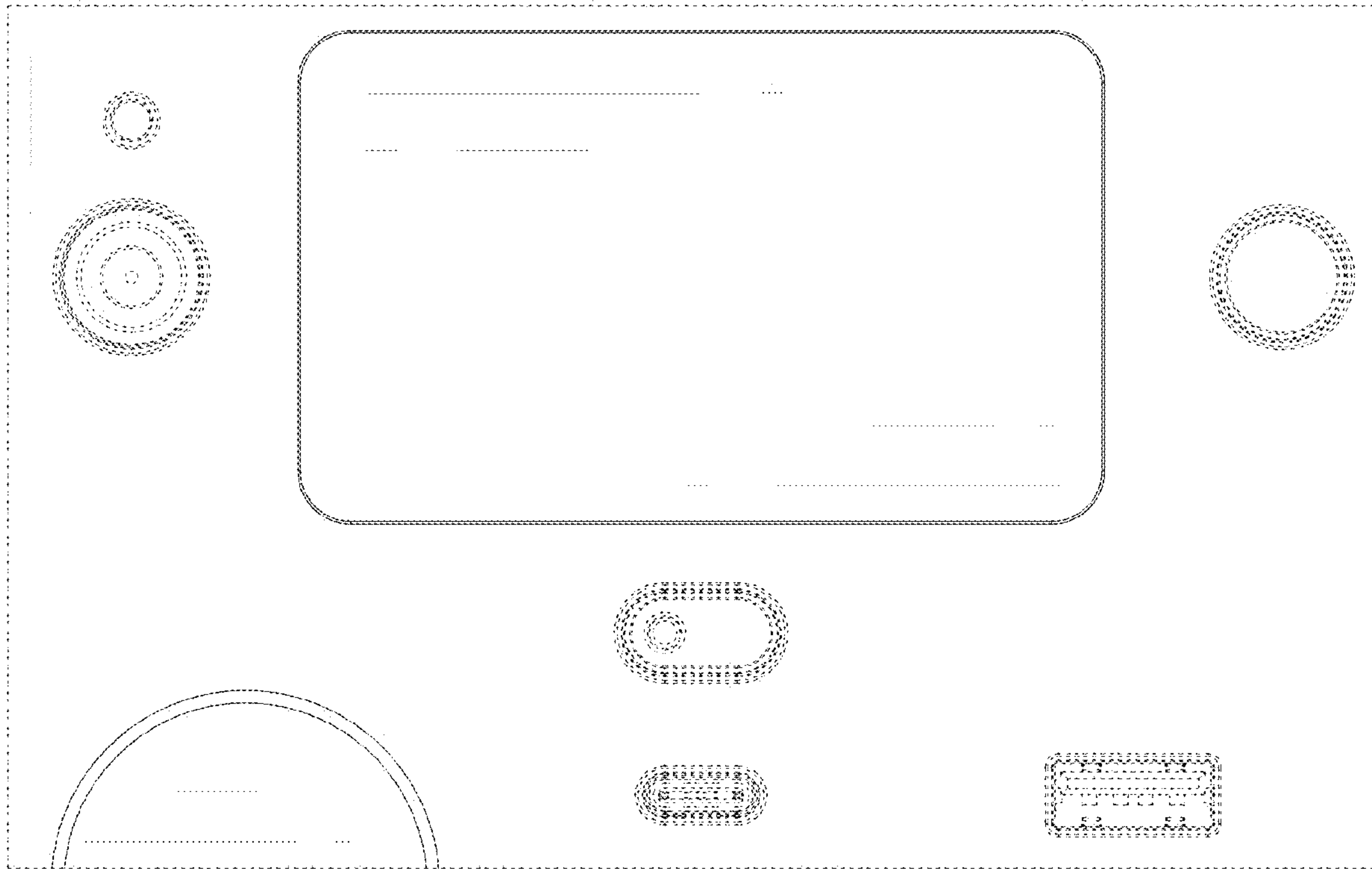


FIG. 11

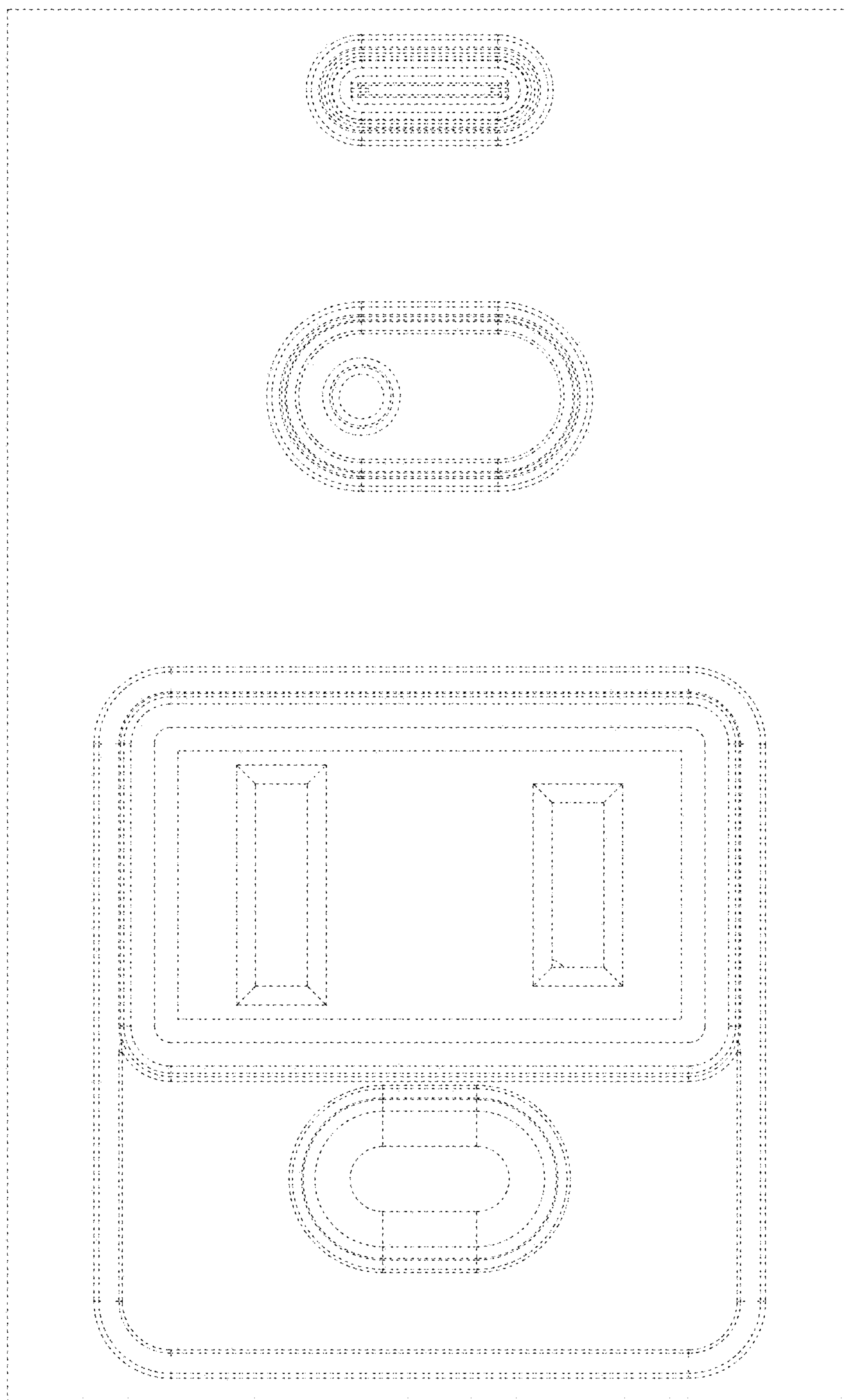


FIG. 12