



US00D961498S

(12) **United States Design Patent** (10) **Patent No.:** **US D961,498 S**  
**Tong** (45) **Date of Patent:** **\*\* Aug. 23, 2022**

(54) **SOLAR PANEL**

(56) **References Cited**

(71) Applicant: **NINGBO ZHONGXIN ELECTRONIC TECHNOLOGY CO., LTD**, Zhejiang (CN)

U.S. PATENT DOCUMENTS

(72) Inventor: **Mingkui Tong**, Zhejiang (CN)

6,650,085	B2 *	11/2003	Lau	.....	H02S 30/20 320/101
D510,316	S *	10/2005	Hayakawa	.....	D13/102
D514,913	S *	2/2006	Dunn	.....	D8/71
D663,262	S *	7/2012	Cheung	.....	D13/102
D670,645	S *	11/2012	Qian	.....	D13/102
D729,156	S *	5/2015	Nook	.....	D13/102
D754,598	S *	4/2016	Munshi	.....	D13/102
D830,296	S *	10/2018	Liu	.....	D13/102
D848,363	S *	5/2019	Bai	.....	D13/102
D900,018	S *	10/2020	Lu	.....	D13/102

(73) Assignee: **Ningbo Zhongxin Electronic Technology Co., Ltd.**, Ningbo (CN)

(\*\*) Term: **15 Years**

\* cited by examiner

(21) Appl. No.: **29/780,840**

*Primary Examiner* — Derrick E Holland

(22) Filed: **Apr. 27, 2021**

(30) **Foreign Application Priority Data**

(57) **CLAIM**

Dec. 31, 2020 (CN) ..... 202030825192.6

The ornamental design for solar panel, as shown and described.

(51) **LOC (13) Cl.** ..... **13-02**

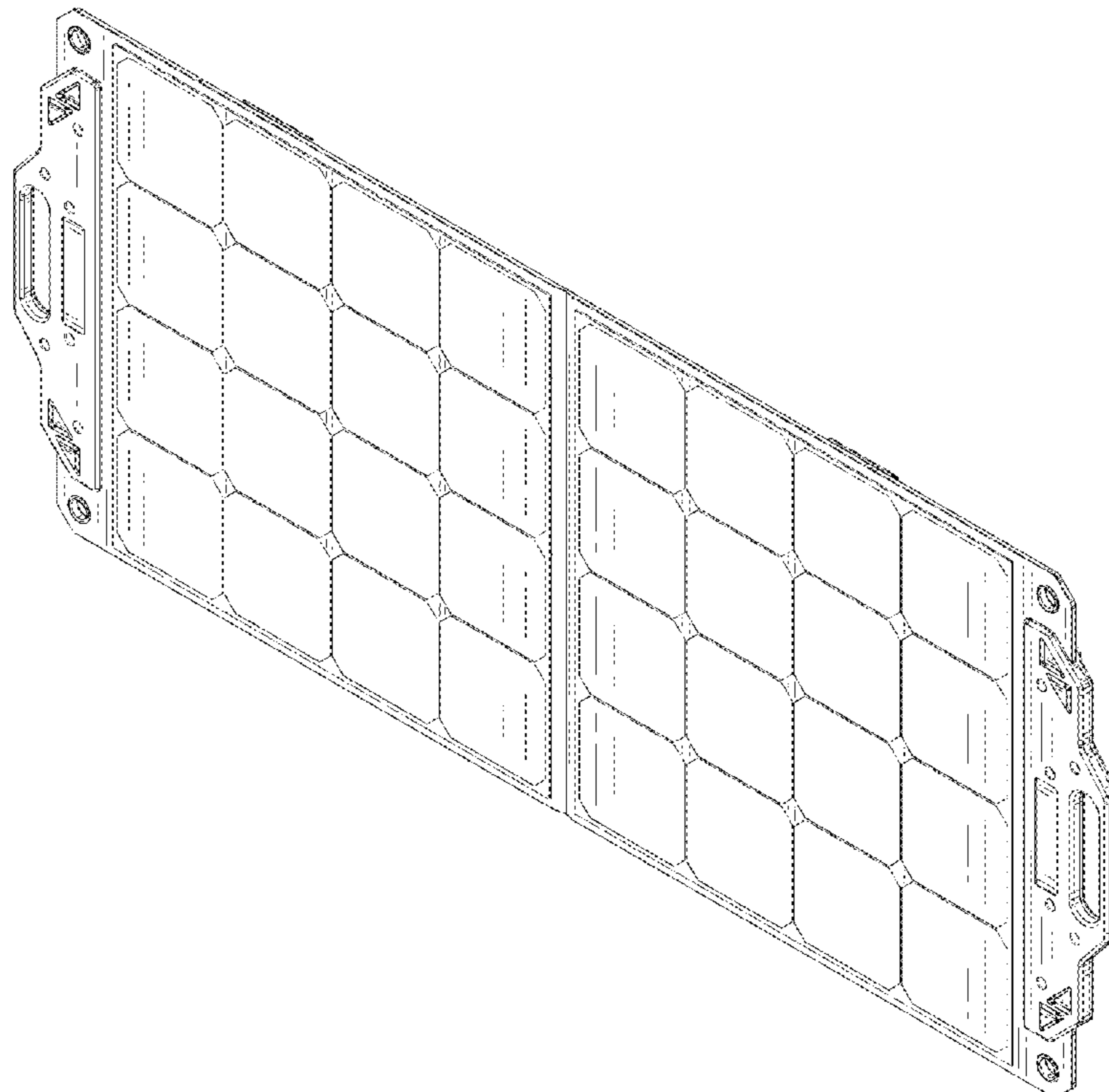
**DESCRIPTION**

(52) **U.S. Cl.**  
USPC ..... **D13/102**

(58) **Field of Classification Search**  
USPC ..... D13/102, 101, 103, 107, 108, 199  
CPC ..... H01L 31/00; H01L 31/042; H01L 31/045;  
H01L 31/048; H01L 31/052; H01L 31/0475; H01L 31/0485; H01M 10/052;  
H01M 10/465; H02S 30/10; H02S 30/20;  
H02S 10/40; H02S 40/42; Y02E 10/50;  
Y02E 10/52; Y10S 136/291; Y10S 136/293; H02J 7/355; G06F 1/1628  
See application file for complete search history.

FIG. 1 is a perspective view of a solar panel showing the new design;  
FIG. 2 is a front view thereof;  
FIG. 3 is a back view thereof;  
FIG. 4 is an enlarged left view thereof;  
FIG. 5 is an enlarged right view thereof;  
FIG. 6 is a top view thereof; and,  
FIG. 7 is a bottom view thereof.  
The broken lines shown on the drawings depict portions of the solar panel that form no part of the claimed design.

**1 Claim, 7 Drawing Sheets**



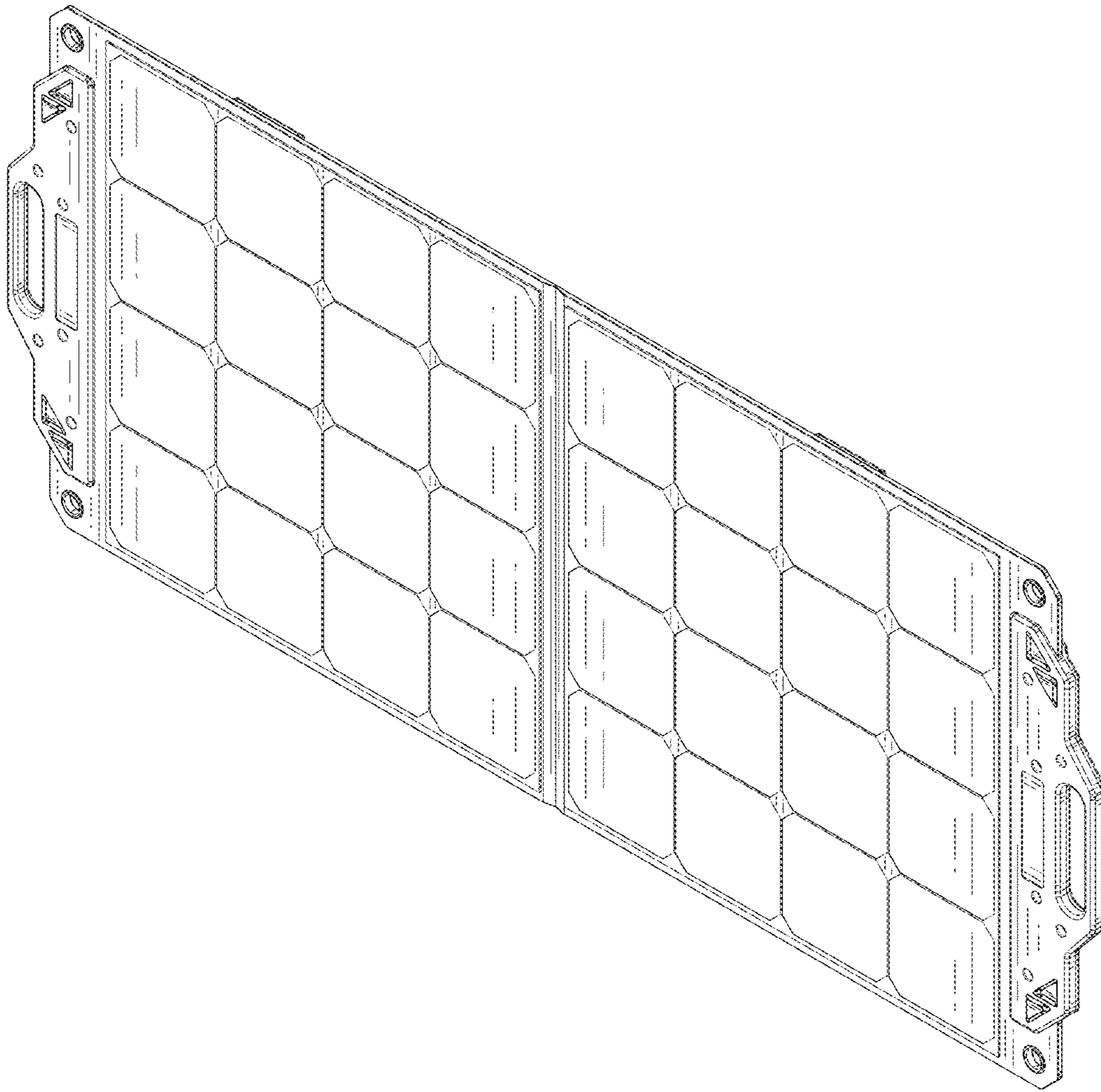


FIG. 1

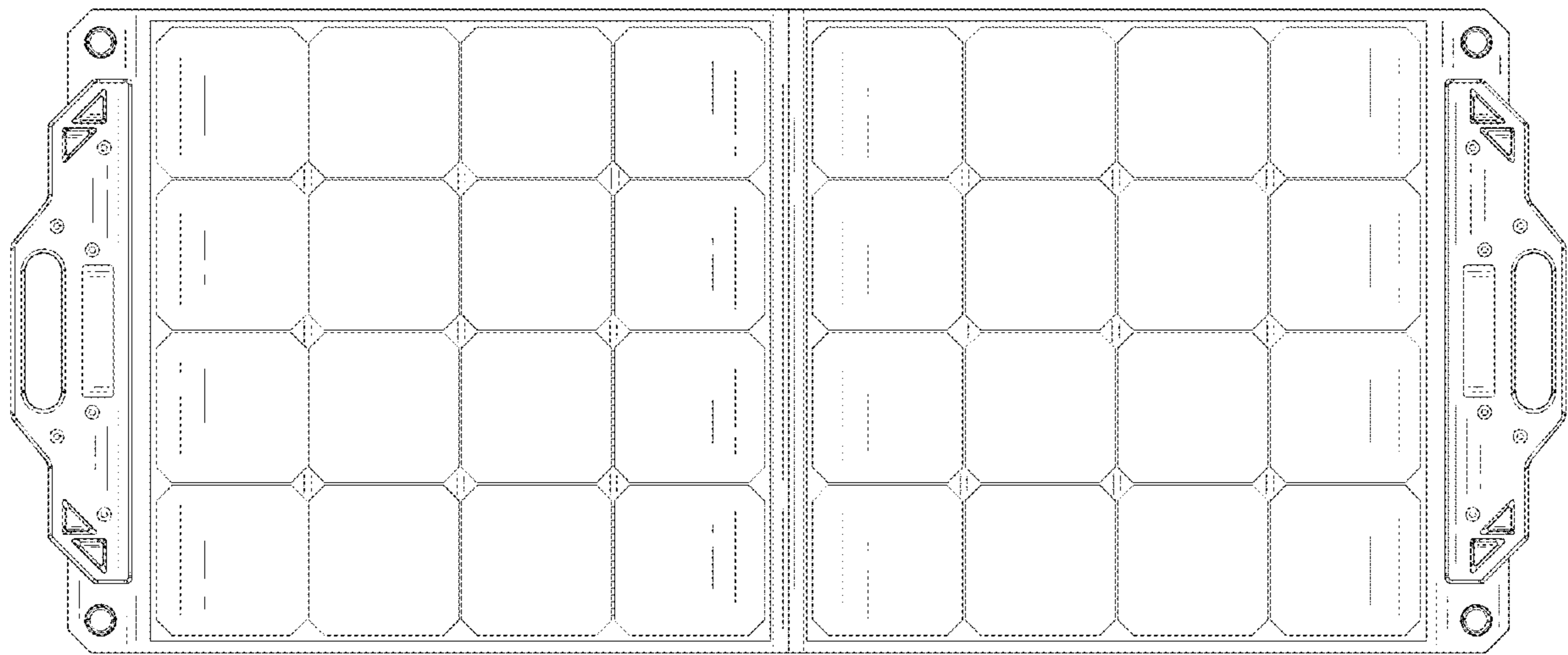


FIG. 2

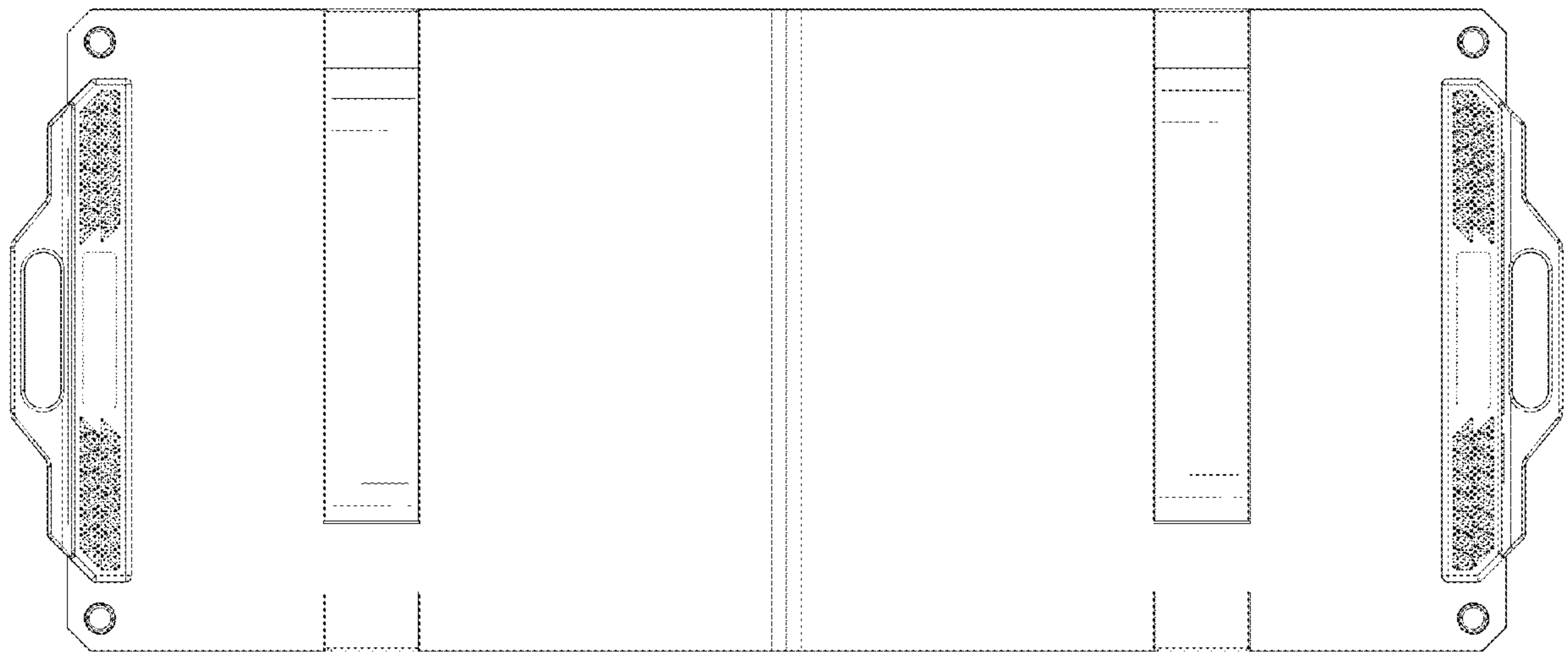


FIG. 3

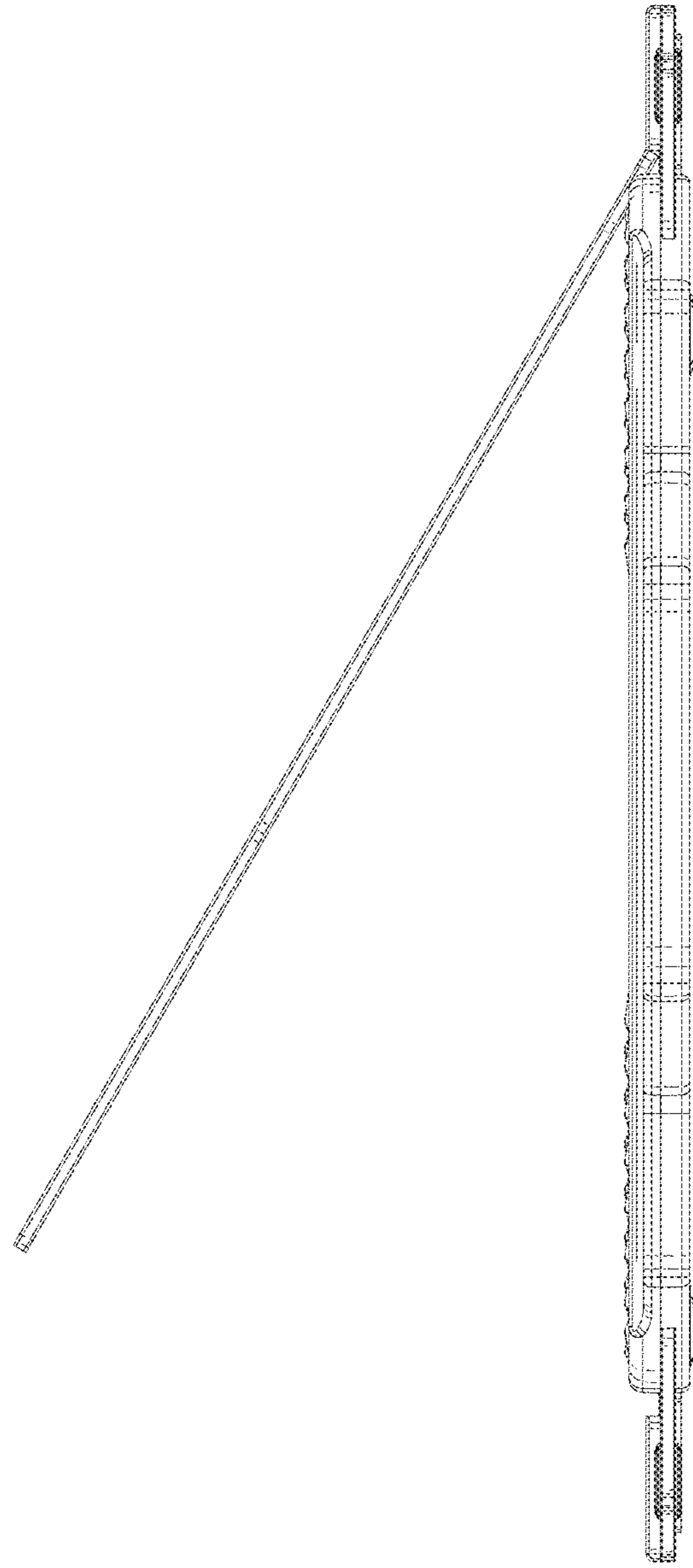


FIG. 4

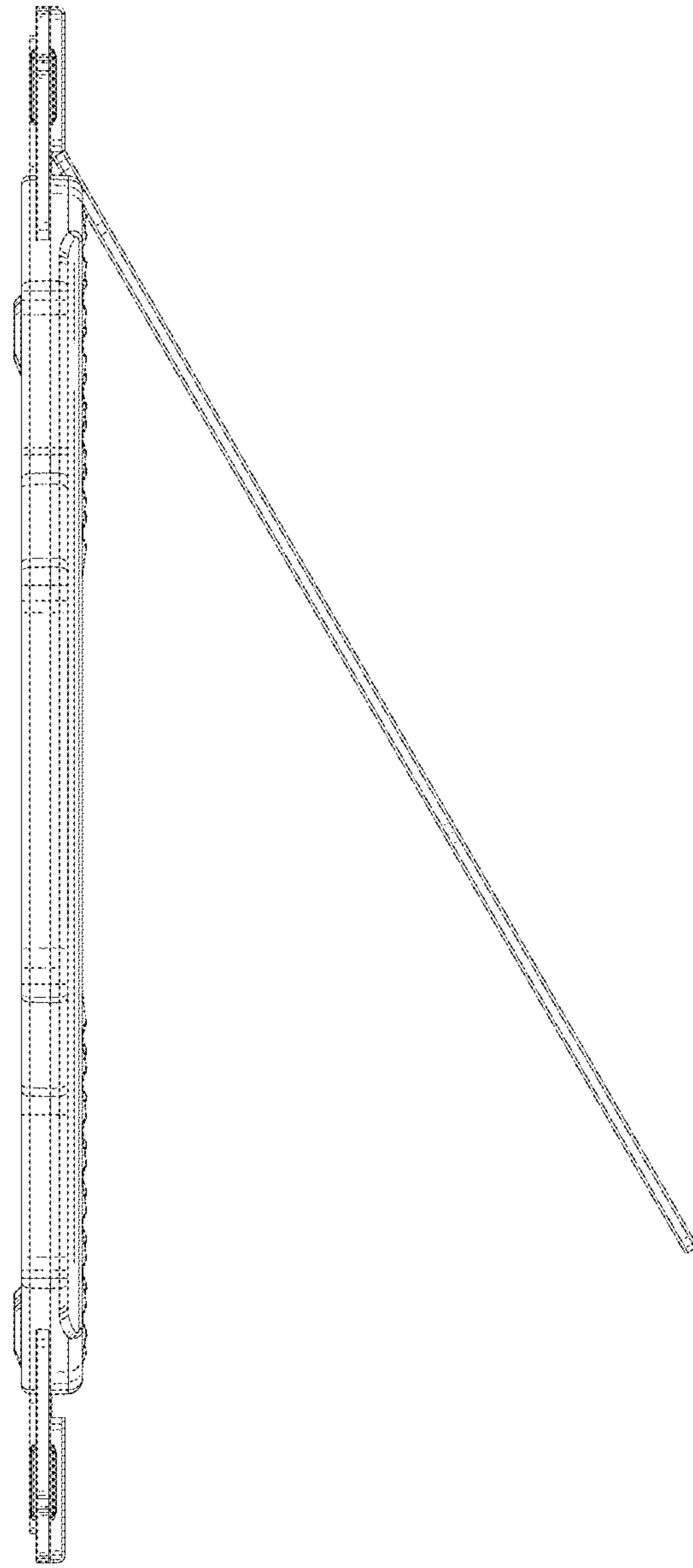


FIG. 5

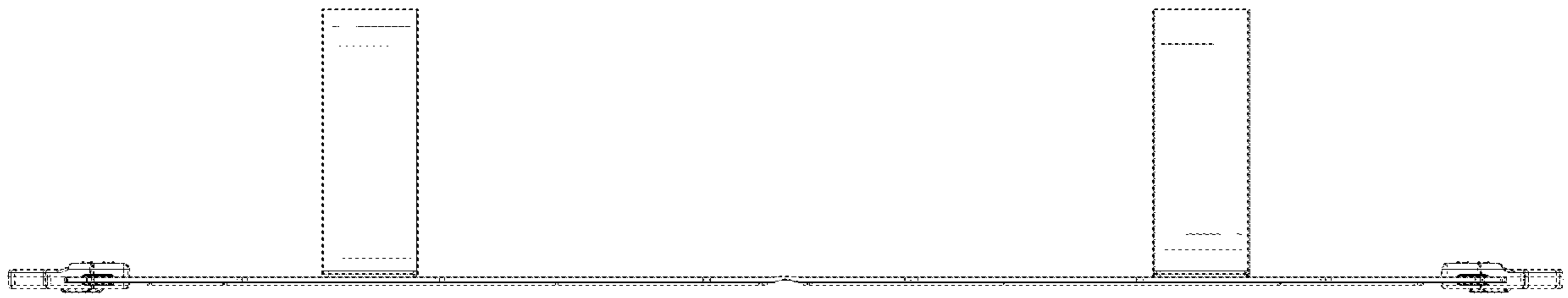


FIG. 6

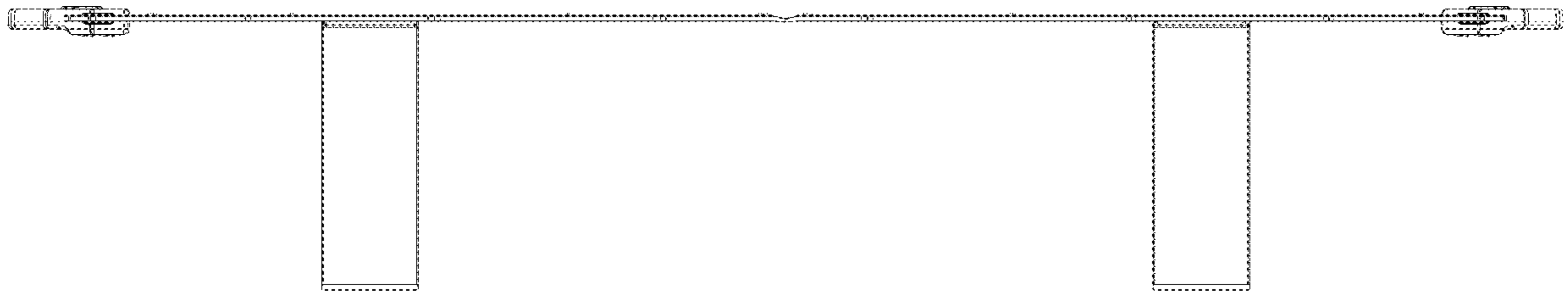


FIG. 7