



US00D961495S

(12) **United States Design Patent** (10) **Patent No.:** **US D961,495 S**
Bonifas (45) **Date of Patent:** **** Aug. 23, 2022**

(54) **TIRE**

(71) Applicant: **COOPER TIRE & RUBBER COMPANY**, Findlay, OH (US)

(72) Inventor: **Patrick J. Bonifas**, Findlay, OH (US)

(73) Assignee: **Cooper Tire & Rubber Company**, Findlay, OH (US)

(**) Term: **15 Years**

(21) Appl. No.: **29/730,095**

(22) Filed: **Apr. 1, 2020**

(51) **LOC (13) Cl.** **12-15**

(52) **U.S. Cl.**
USPC **D12/534**

(58) **Field of Classification Search**
USPC D12/533-567, 604
CPC Y10T 152/10027; B60C 1/0016; B60C 11/0306; B60C 11/0302; B60C 3/06; B60C 9/17

See application file for complete search history.

(56) **References Cited**

U.S. PATENT DOCUMENTS

D440,913 S *	4/2001	McMannis	D12/544
D442,125 S *	5/2001	Ratliff, Jr.	D12/546
D451,861 S *	12/2001	Graas	D12/567
D618,160 S *	6/2010	Jacobs	D12/544
D672,708 S *	12/2012	Corsi	D12/564
D731,956 S *	6/2015	Wang	D12/564
D786,779 S *	5/2017	Scheifele	D12/533
D810,002 S *	2/2018	Sprowl	D12/544
D811,314 S *	2/2018	Chiang	D12/534
D813,791 S *	3/2018	Wang	D12/544
D840,478 S *	2/2019	Sprowl	D12/500
D842,228 S *	3/2019	Guidry	D12/544
D859,294 S *	9/2019	Taylor	D12/544

OTHER PUBLICATIONS

<https://www.mickeythompstires.com/light-truck-tires/baja-pro-x> Mickey Thompson Tires, printed Apr. 2, 2020.
<https://www.maxxis.com/catalog/tire-499-105-trepador-m8060> Maxxis International—USA, printed Apr. 2, 2020.
<https://www.intercotire.com/tire/6> Interco Tire Corporation, printed Apr. 2, 2020.

(Continued)

Primary Examiner — John A Voytek

(74) *Attorney, Agent, or Firm* — June E. Rickey

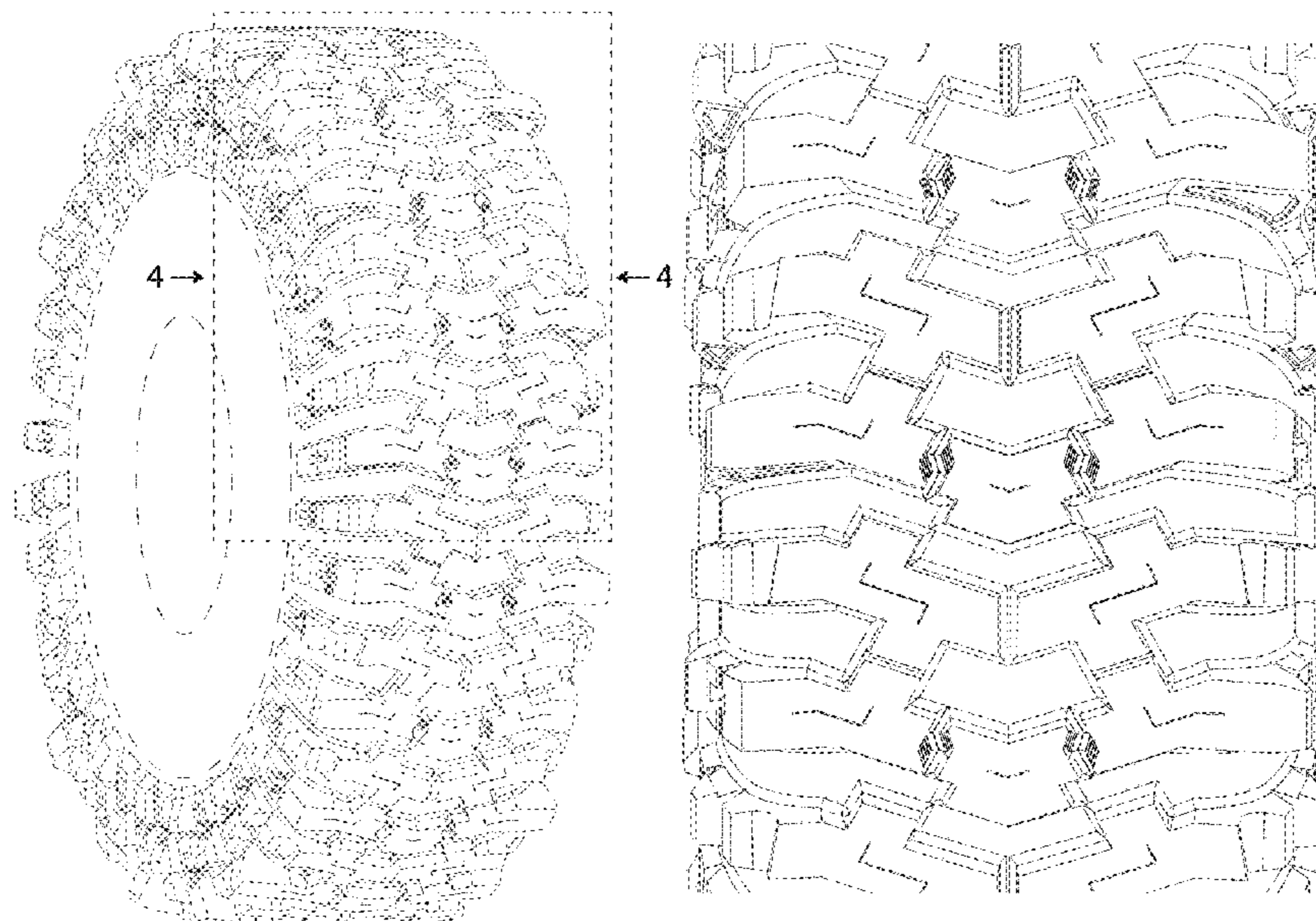
(57) **CLAIM**

The ornamental design for a tire, as shown and described.

DESCRIPTION

FIG. 1 is a perspective view of a tire taken from the front and a first side thereof;
FIG. 2 is a front view thereof;
FIG. 3 is a first side view thereof;
FIG. 4 is an enlarged, partial perspective view taken from the front and the side thereof;
FIG. 5 is an enlarged, partial front view thereof; and,
FIG. 6 is an enlarged, partial side view thereof.
The broken lines and the sidewall region between the broken lines that define the inner bead and the sidewall depict subject matter that forms no part of the claimed tire design and are included for the purpose of illustrating the full tire. Likewise, the tire interior forms no part of the claim. The tread pattern is understood to repeat throughout the circumference of the tire, and the top and bottom views are the same as the front view based on the repeating nature of the tread design pattern.
FIGS. 1-3 include broken line showings to indicate where the enlarged fragmentary views of FIGS. 4-6 originate. These broken line showings form no part of the claimed tire design.

1 Claim, 6 Drawing Sheets



(56)

References Cited

OTHER PUBLICATIONS

<https://www.intercotire.com/tire/118> Interco Tire Corporation, printed Apr. 2, 2020.

<https://www.intercotire.com/> Interco Tire Corporation, printed Apr. 2, 2020.

* cited by examiner

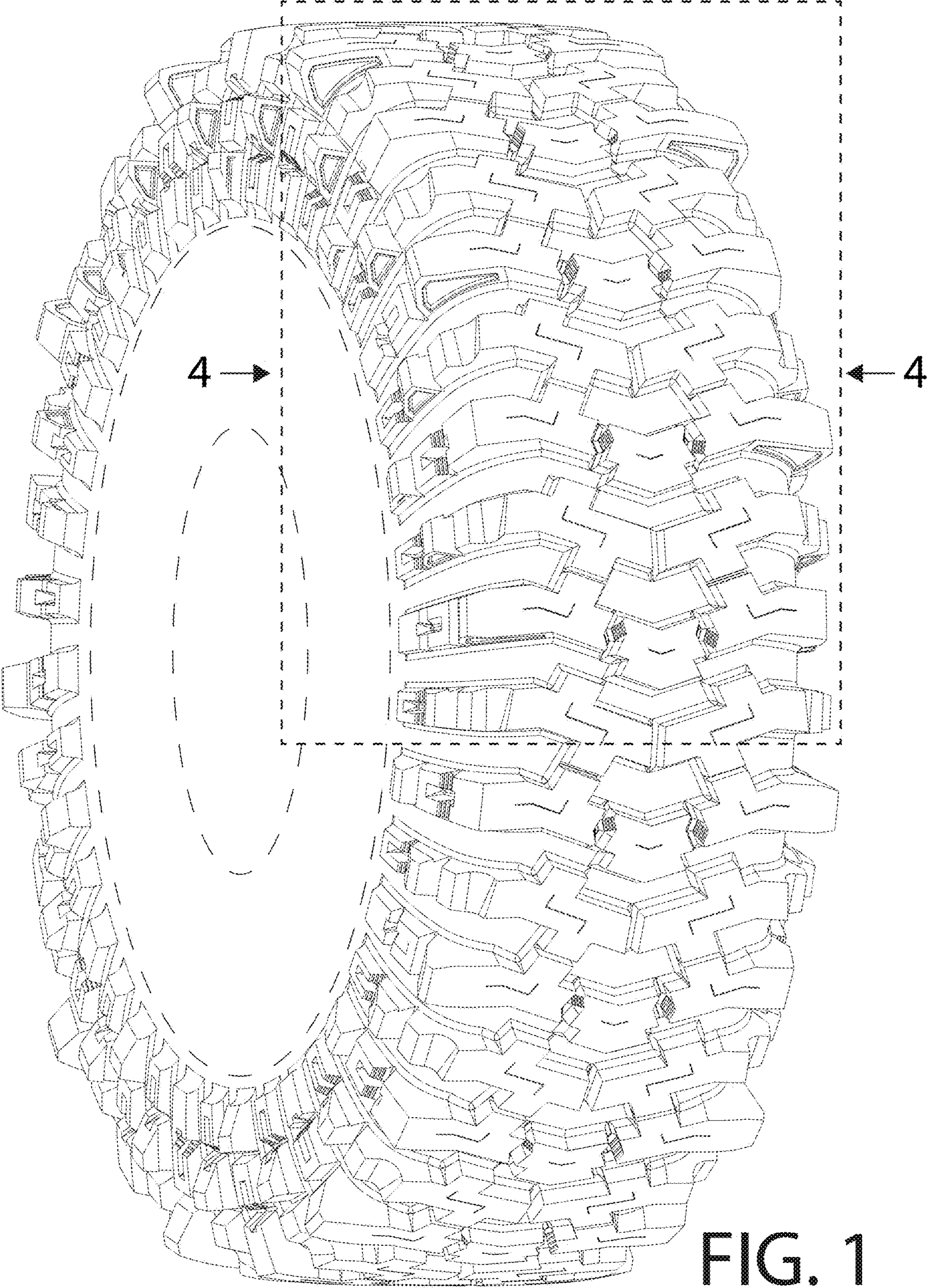


FIG. 1

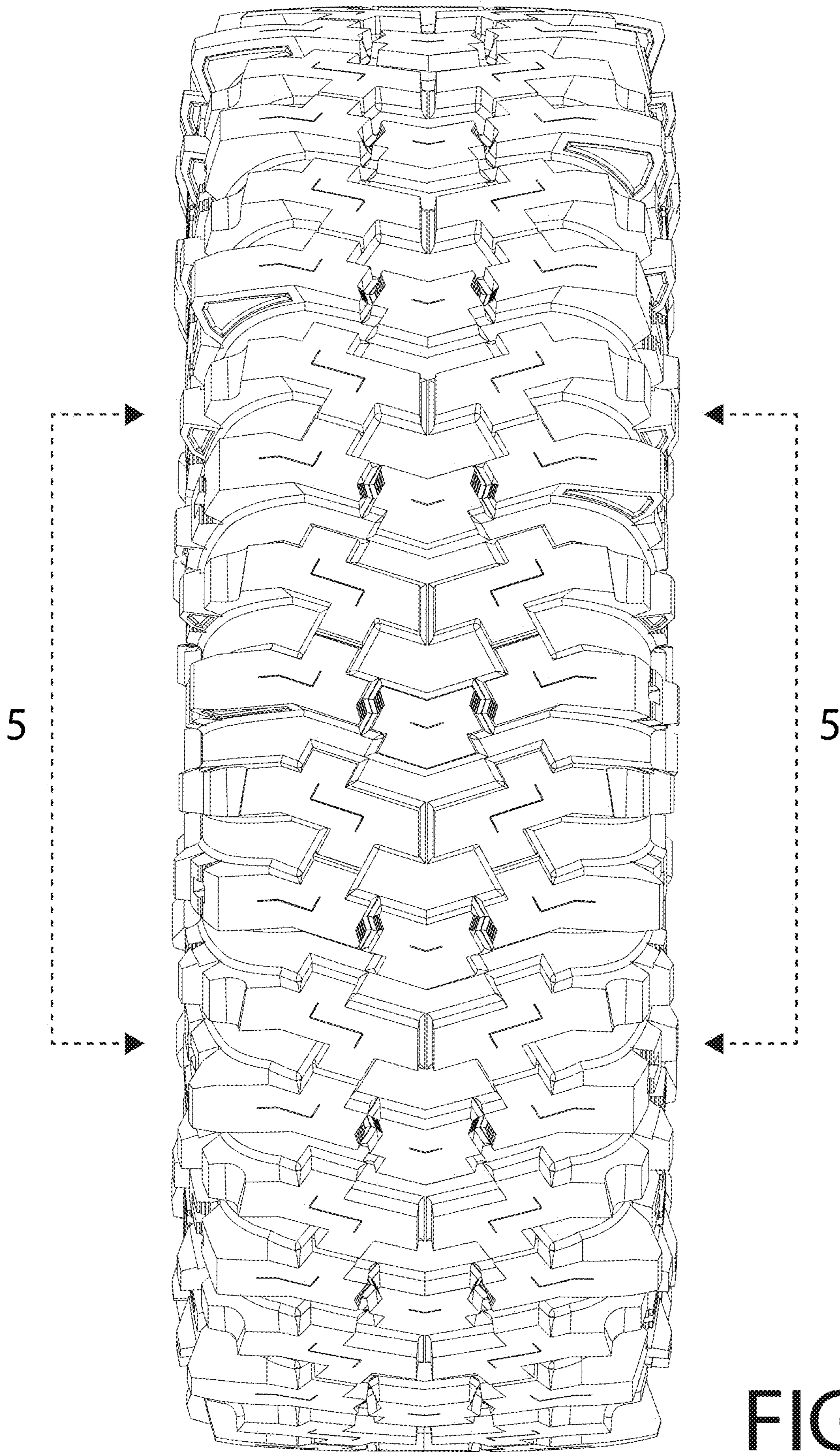


FIG. 2

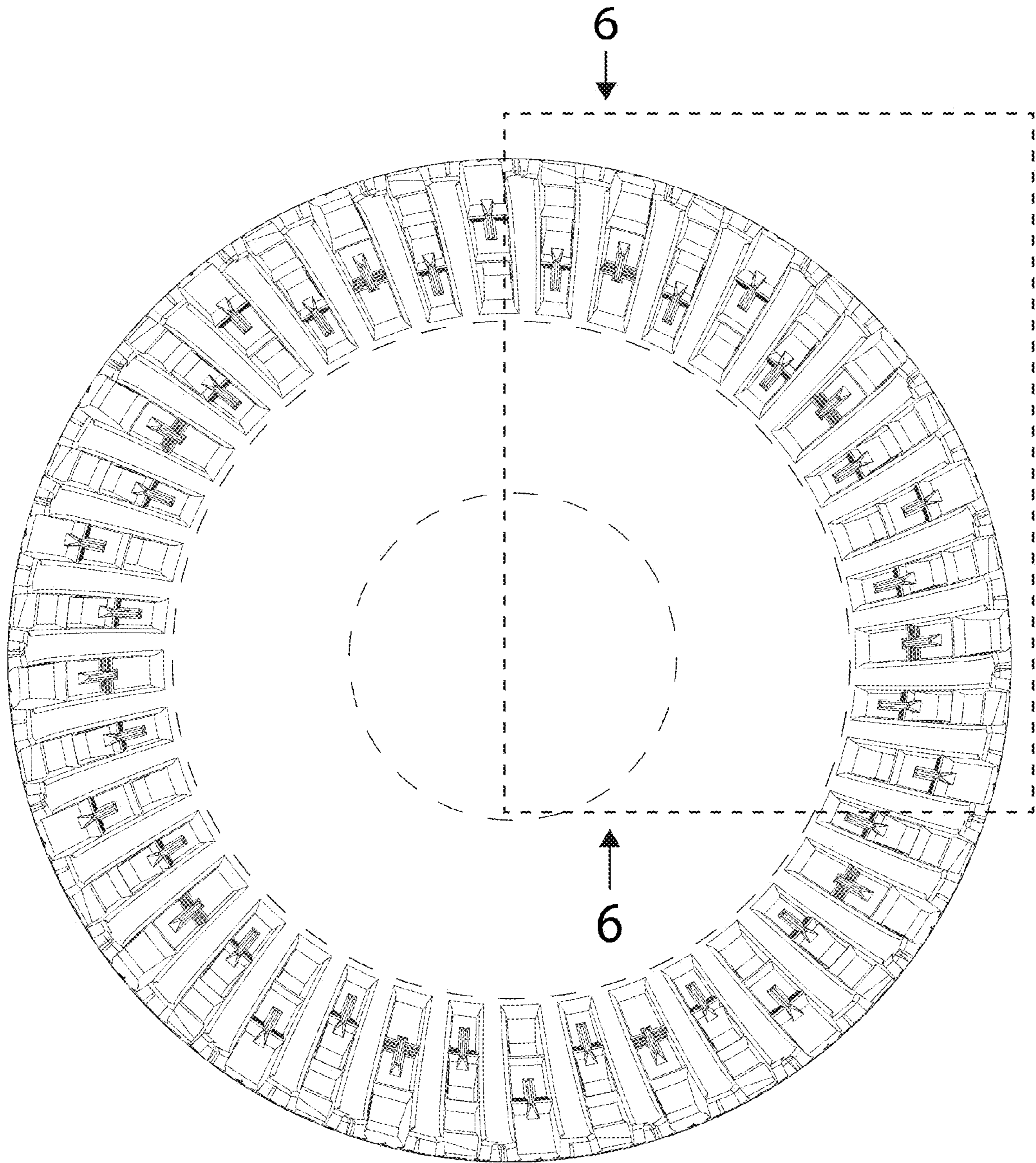


FIG. 3



FIG. 4

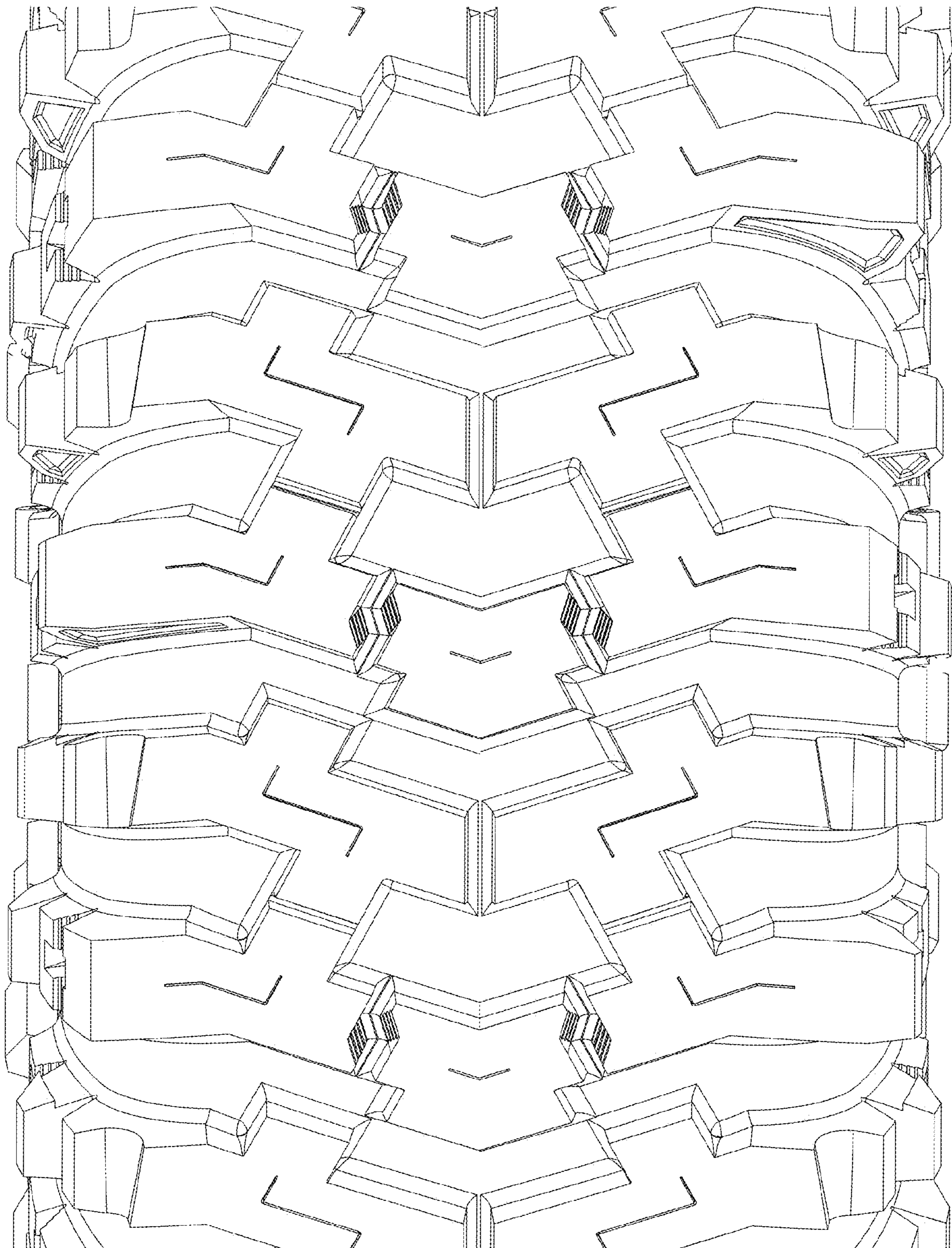


FIG. 5

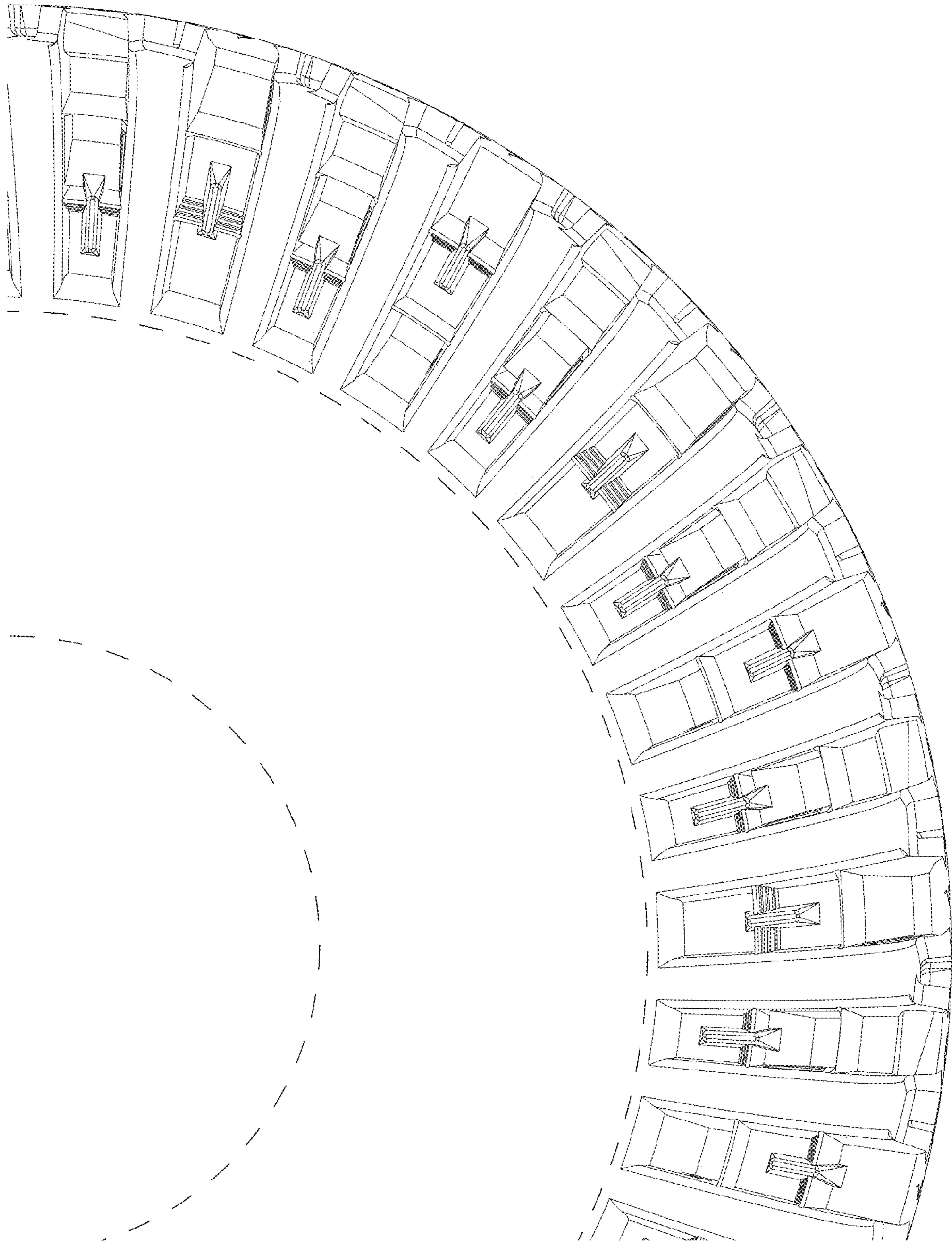


FIG. 6