



US00D961493S

(12) **United States Design Patent**
Ma

(10) **Patent No.:** **US D961,493 S**

(45) **Date of Patent:** **** Aug. 23, 2022**

(54) **STORAGE BOX FOR VEHICLE**

(71) Applicant: **Wei Ma**, Bozhou (CN)

(72) Inventor: **Wei Ma**, Bozhou (CN)

(**) Term: **15 Years**

(21) Appl. No.: **29/785,983**

(22) Filed: **May 28, 2021**

(30) **Foreign Application Priority Data**

May 20, 2021 (JP) 2021-010634 D

(51) **LOC (13) Cl.** **12-16**

(52) **U.S. Cl.**
USPC **D12/425**

(58) **Field of Classification Search**
USPC D12/425, 400, 406, 415-420, 424, 426
CPC B63B 25/00; B63B 7/085; B63B 35/00;
B63B 17/00; B60R 16/04
See application file for complete search history.

(56) **References Cited**

U.S. PATENT DOCUMENTS

D491,880 S * 6/2004 Guidry D12/425
D743,326 S * 11/2015 Keller D12/425

D795,789 S * 8/2017 Ehtesham D12/425
D884,578 S * 5/2020 Guo D12/425
D912,608 S * 3/2021 Chen D12/425
D916,461 S * 4/2021 Chang
D916,647 S * 4/2021 Chen D12/425
D922,935 S * 6/2021 Guo D12/425
D932,420 S * 10/2021 Bruni D12/425
D935,381 S * 11/2021 Chen D12/425
D940,057 S * 1/2022 Guo D12/425
D943,496 S * 2/2022 Brumby D12/425
D946,493 S * 3/2022 Huang D12/425
D946,494 S * 3/2022 Huang D12/425

* cited by examiner

Primary Examiner — Katrina A Betton

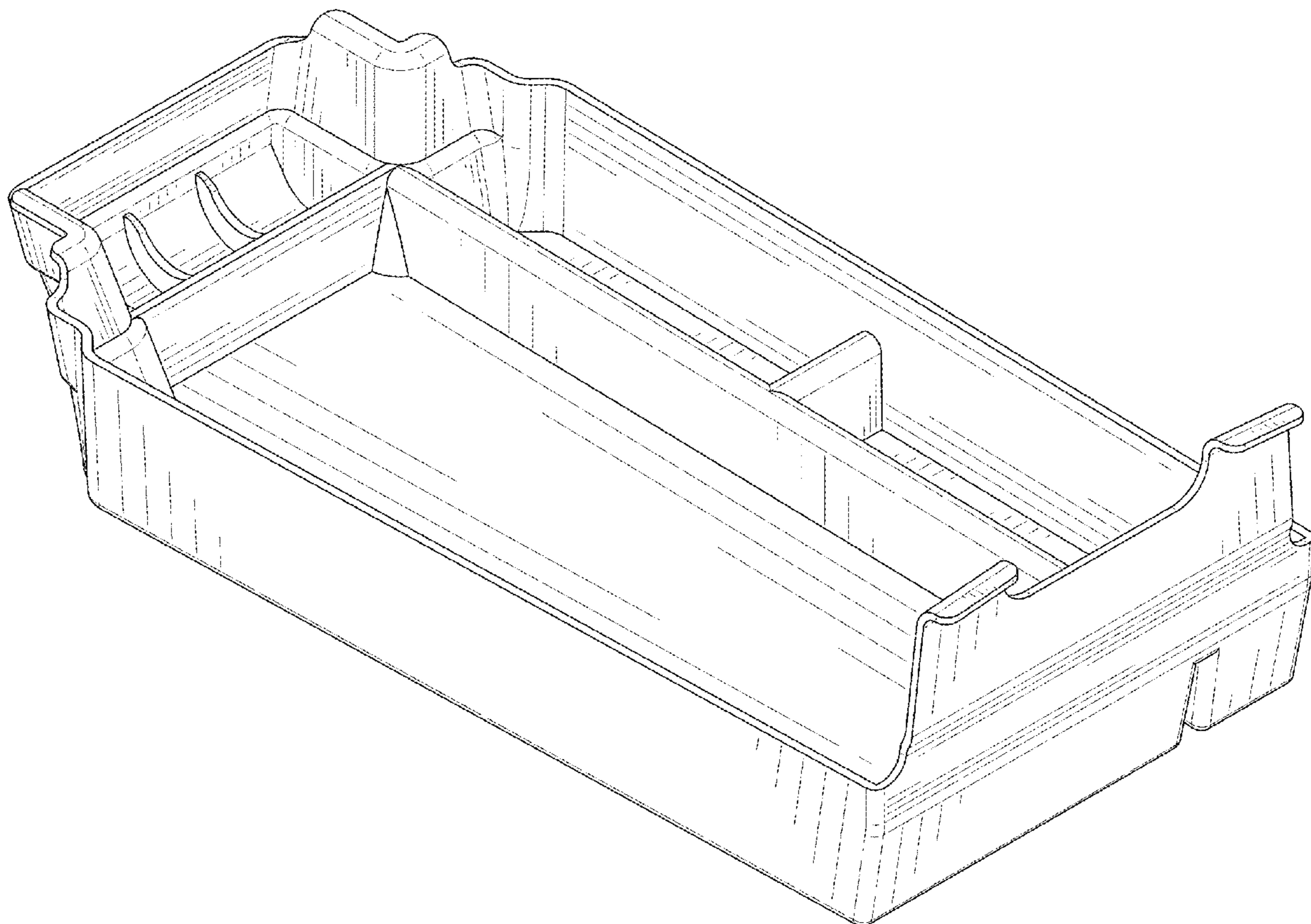
(57) **CLAIM**

The ornamental design for a storage box for vehicle, as shown and described.

DESCRIPTION

FIG. 1 is a front and top perspective view of a storage box for vehicle, showing my new design;
FIG. 2 is a rear and bottom perspective view thereof;
FIG. 3 is a front elevation view thereof;
FIG. 4 is a rear elevation view thereof;
FIG. 5 is a left side elevation view thereof;
FIG. 6 is a right side elevation view thereof;
FIG. 7 is a top plan view thereof; and,
FIG. 8 is a bottom plan view thereof.

1 Claim, 8 Drawing Sheets



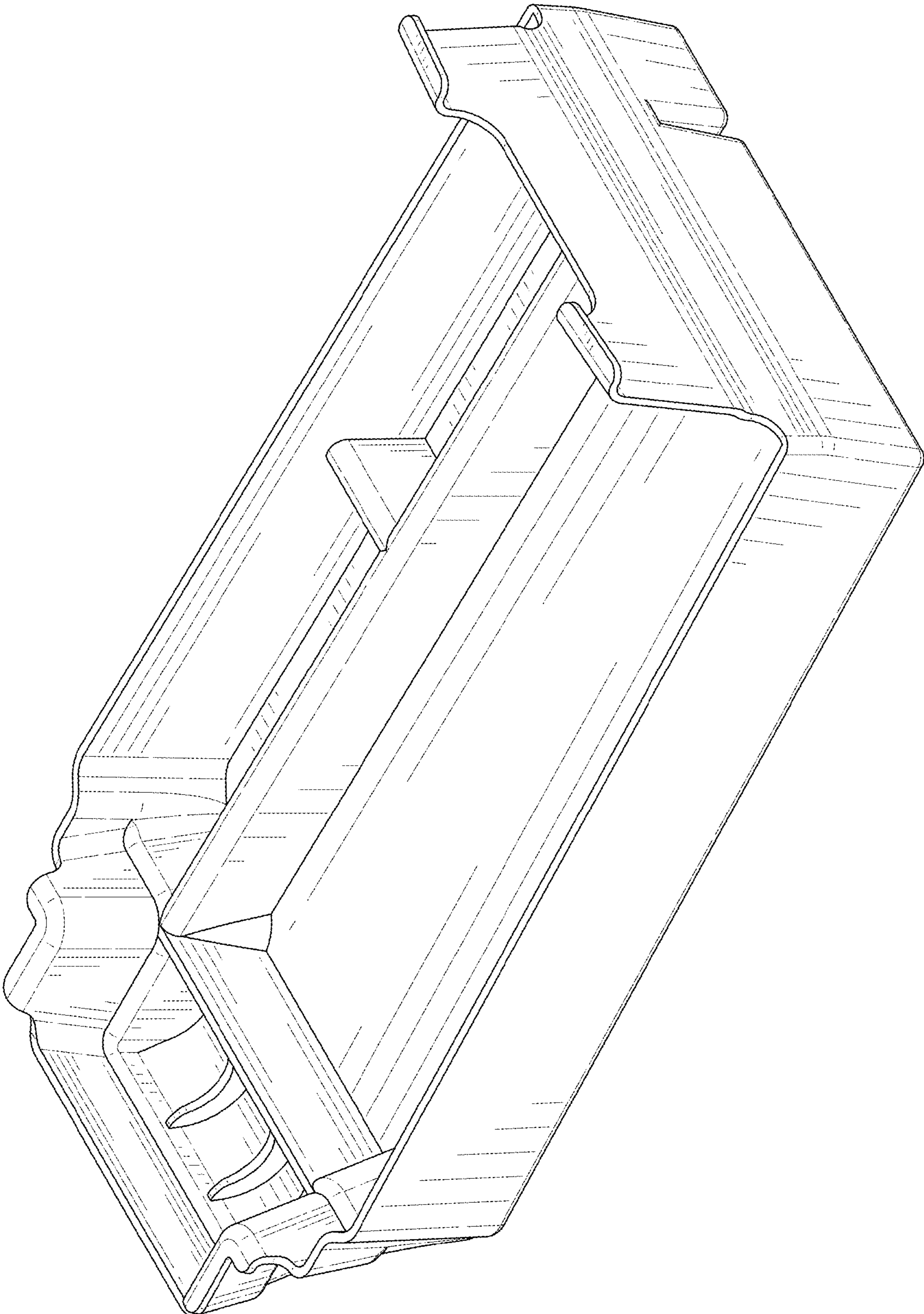


FIG. 1

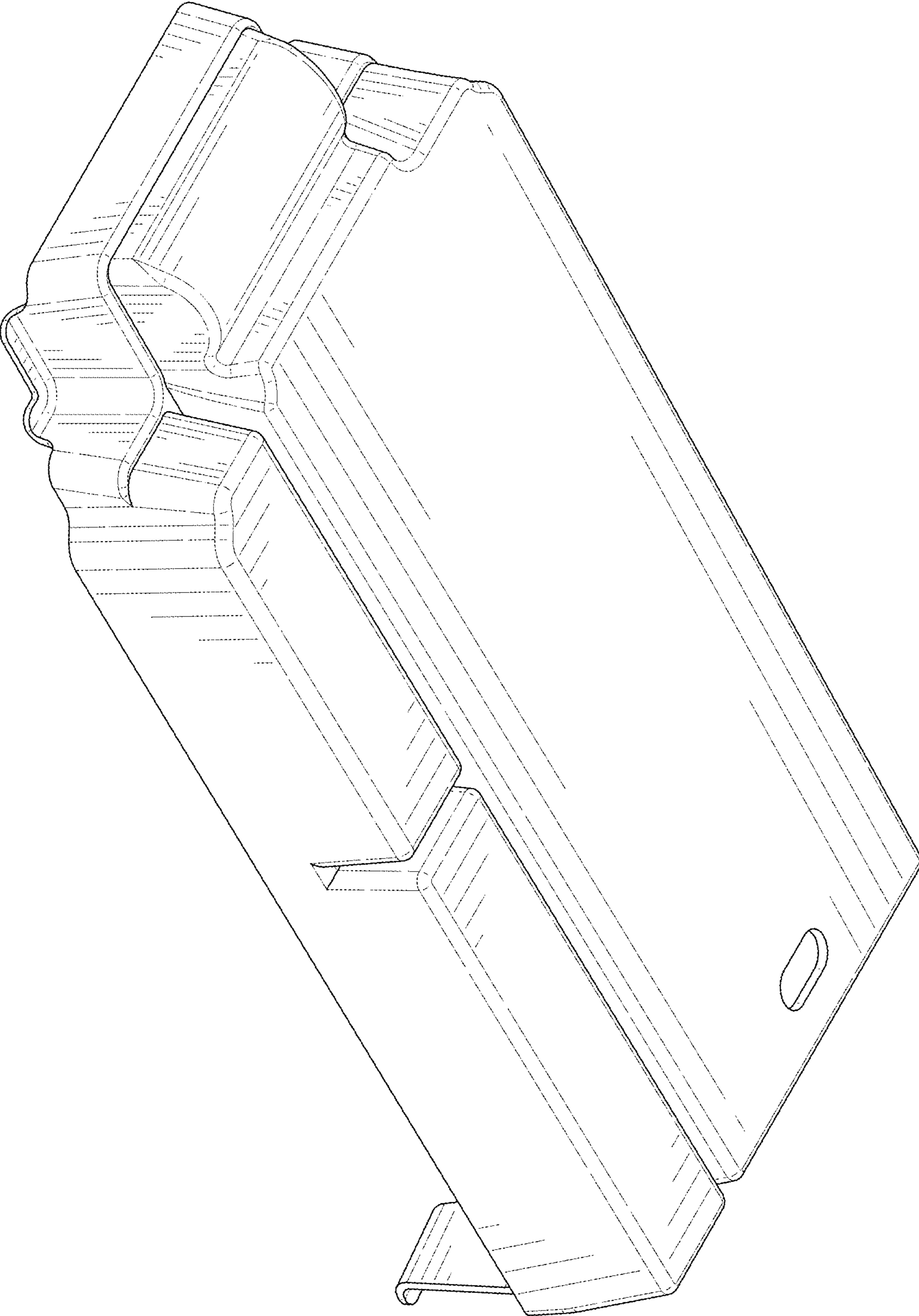


FIG. 2

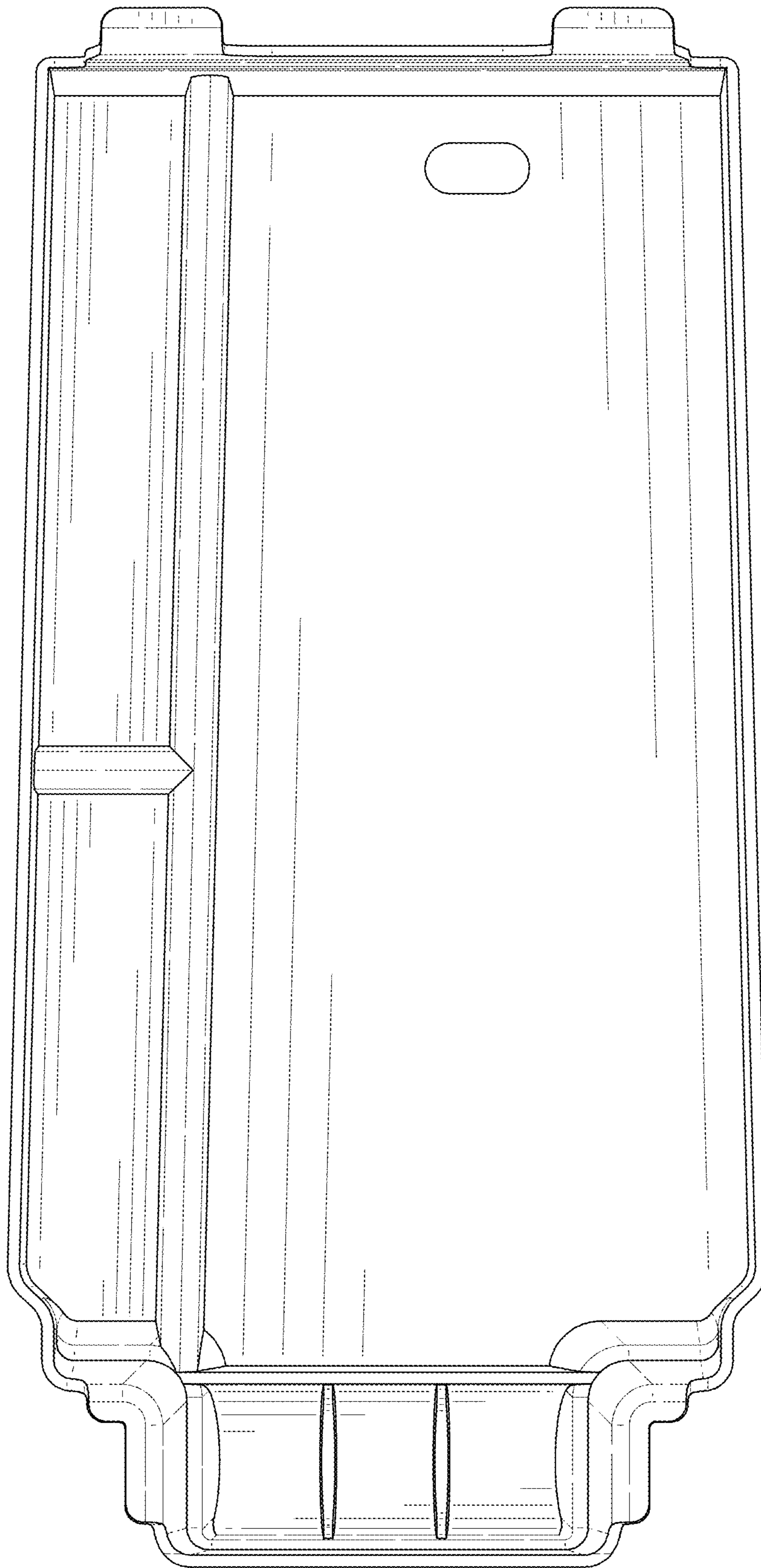


FIG. 3

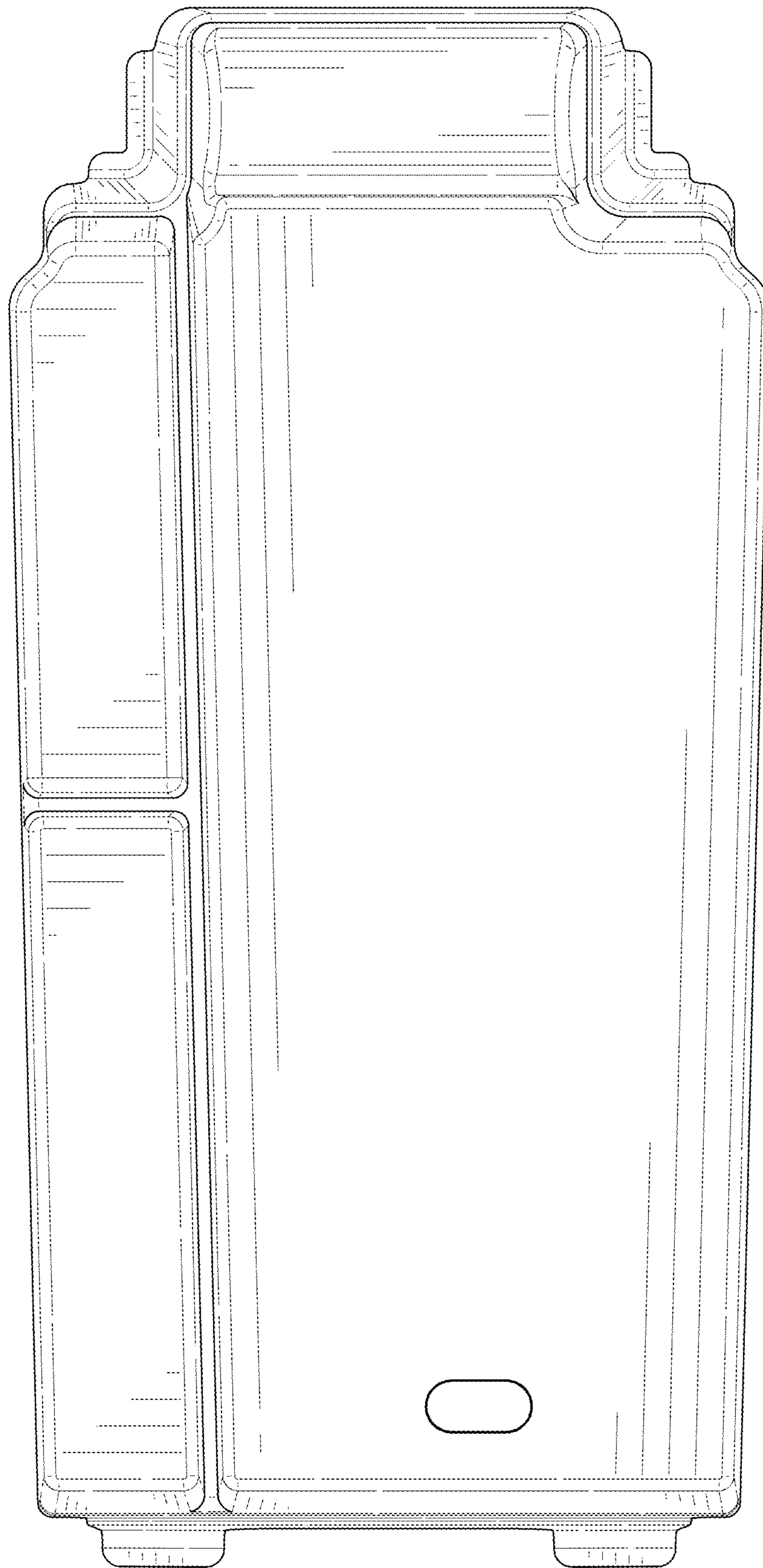


FIG. 4

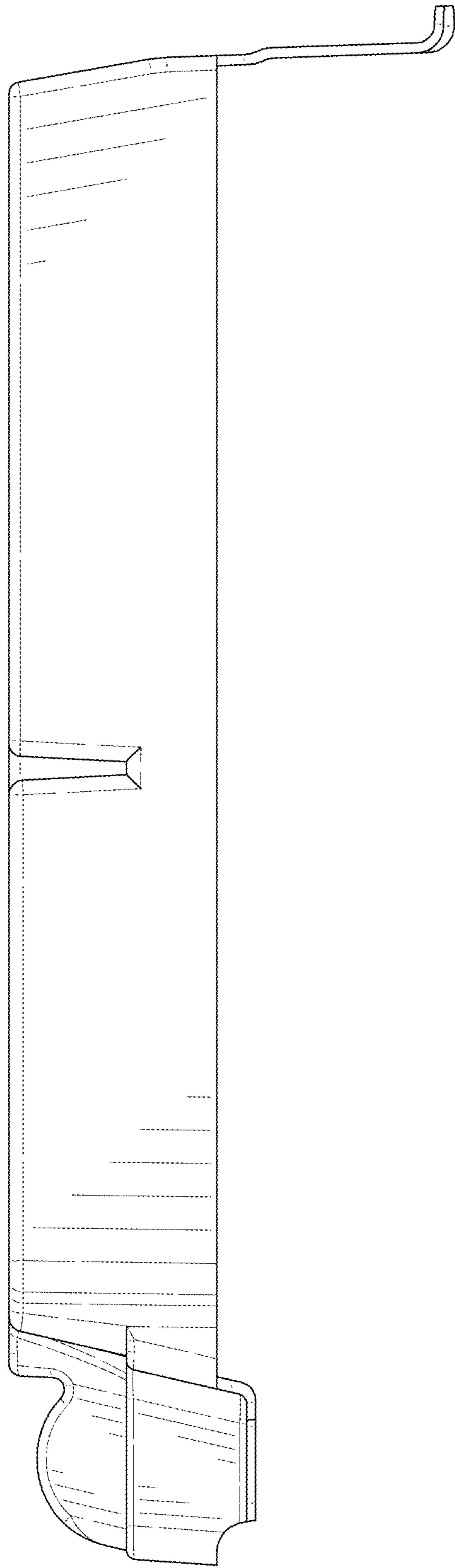


FIG. 5

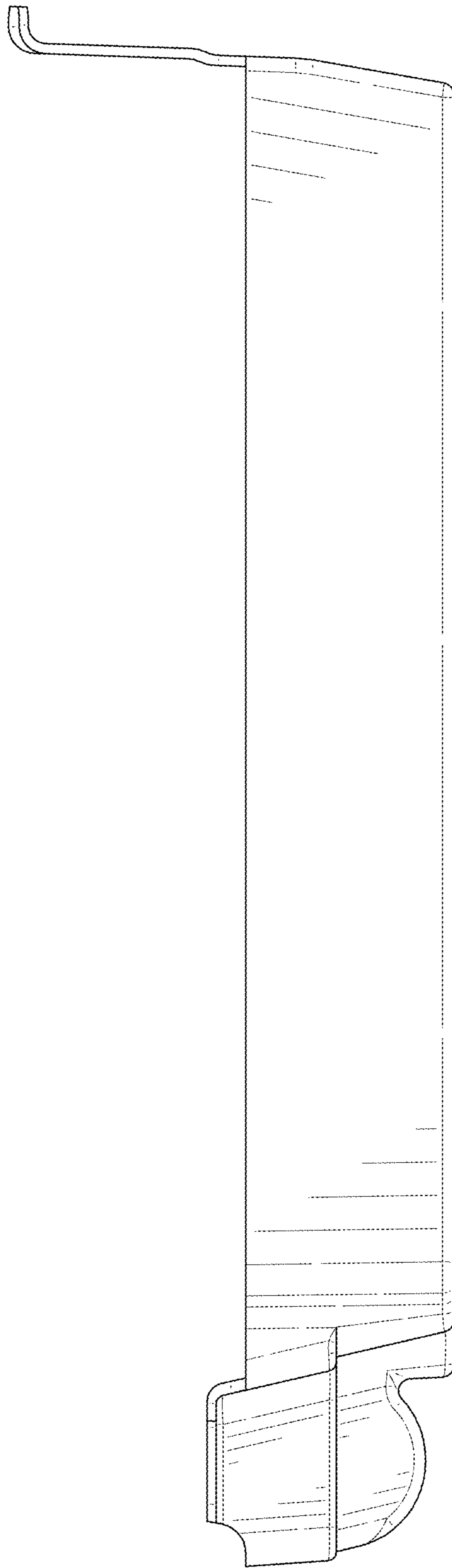


FIG. 6

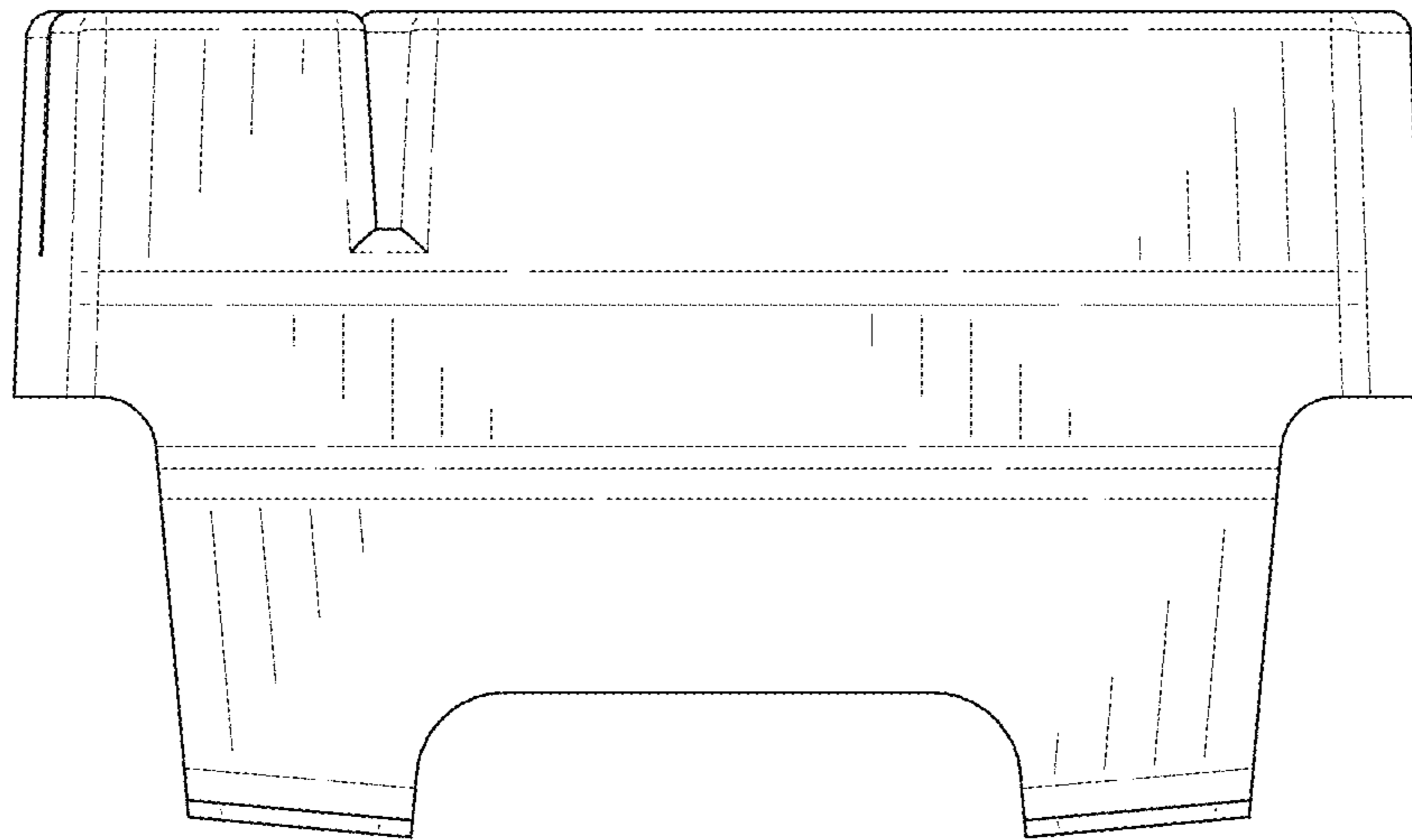


FIG. 7

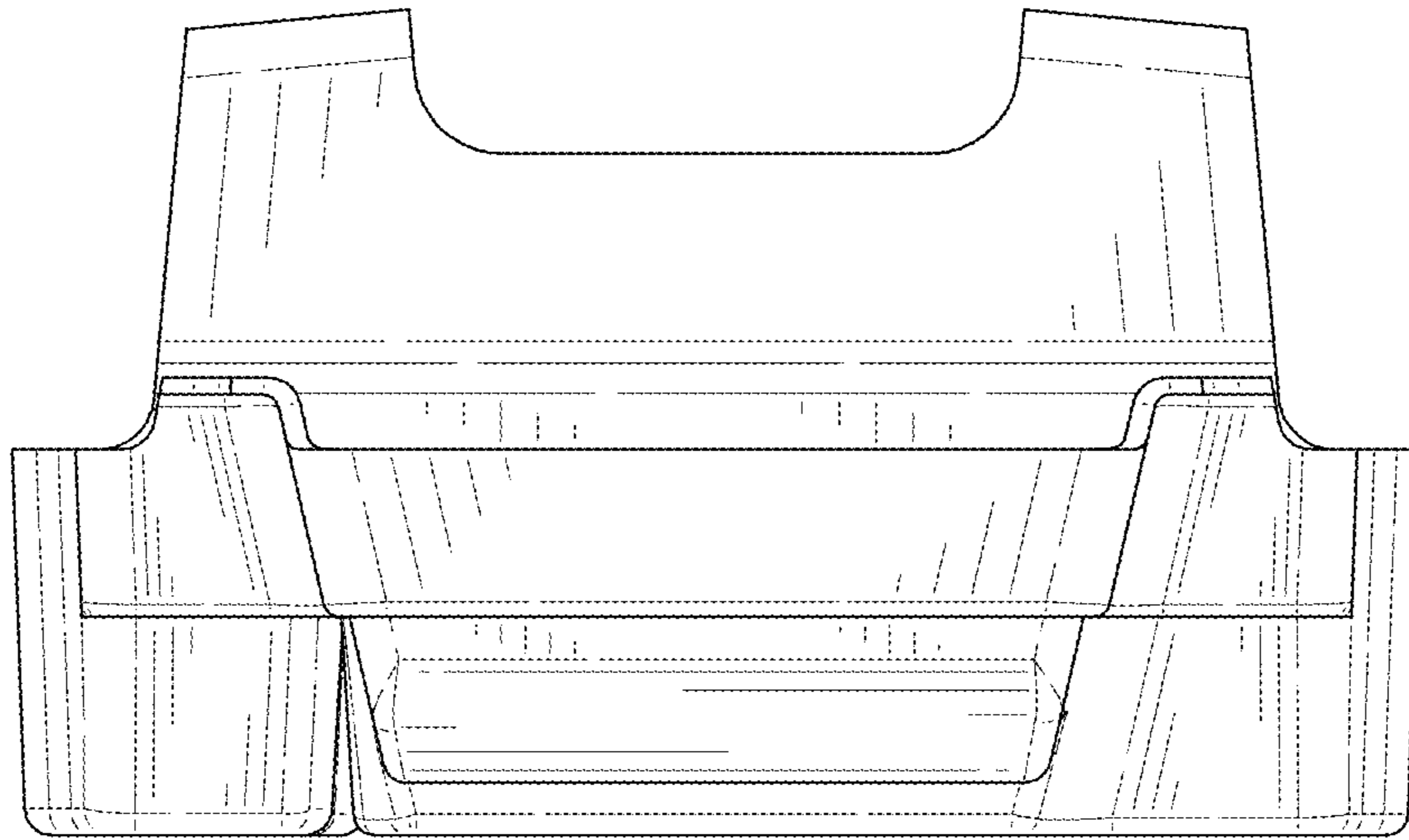


FIG. 8