



US00D961491S

(12) **United States Design Patent** (10) **Patent No.:** **US D961,491 S**
Voss (45) **Date of Patent:** **** Aug. 23, 2022**

(54) **CANOPY FOR A VEHICLE, TRUCK, LIGHT DELIVERY VEHICLE OR SIMILAR VEHICLE**

(71) Applicant: **Rock Solid Industries International (Pty) Ltd**, Pietermaritzburgh (ZA)

(72) Inventor: **Michael Voss**, Pinetown (ZA)

(73) Assignee: **ROCK SOLID INDUSTRIES INTERNATIONAL (PTY) LTD**, Pietermaritzburgh (ZA)

(**) Term: **15 Years**

(21) Appl. No.: **29/707,699**

(22) Filed: **Sep. 30, 2019**

(51) **LOC (13) Cl.** **12-16**

(52) **U.S. Cl.**
USPC **D12/404**

(58) **Field of Classification Search**
USPC D12/82, 84, 86, 93, 96, 98, 99, 100, 101, D12/114, 181, 190, 196, 222, 223, 400,
(Continued)

(56) **References Cited**

U.S. PATENT DOCUMENTS

2,032,630 A 3/1936 Northup
D206,530 S 12/1966 Zell
(Continued)

OTHER PUBLICATIONS

EVO Sport _ RSI SmartCap, www.rsismartcanopy.com [online].
Published on or before Oct. 4, 2020, [retrieved on Oct. 4, 2020].
Retrieved from the Internet: <URL:https://www.rsismartcanopy.com/evo-leisure> (Year: 2020).*

(Continued)

Primary Examiner — Cary M Robinson
Assistant Examiner — Adam C Mager

(74) *Attorney, Agent, or Firm* — Nolan R. Hubbard; K&L Gates LLP

(57) **CLAIM**

I claim the ornamental design for a canopy for a vehicle, truck, light delivery vehicle or similar vehicle, as shown and described.

DESCRIPTION

FIG. 1 is a perspective rear view of an embodiment of a canopy for a vehicle, truck, light delivery vehicle or similar vehicle, showing my new design;

FIG. 2 is an exploded view thereof, shown from the rear;

FIG. 3 a perspective front view thereof;

FIG. 4 is another exploded view thereof, shown from the front;

FIG. 5 is a top view thereof;

FIG. 6 is a bottom view thereof;

FIG. 7 is a side view thereof, the opposite side being a mirror image thereof;

FIG. 8 is a front view thereof;

FIG. 9 is a rear view thereof;

FIG. 10 is a perspective rear view of a second embodiment of a canopy for a vehicle, truck, light delivery vehicle or similar vehicle, showing my new design;

FIG. 11 is an exploded view thereof, shown from the rear;

FIG. 12 a perspective front view thereof;

FIG. 13 is another exploded view thereof, shown from the front;

FIG. 14 is a top view thereof;

FIG. 15 is a bottom view thereof;

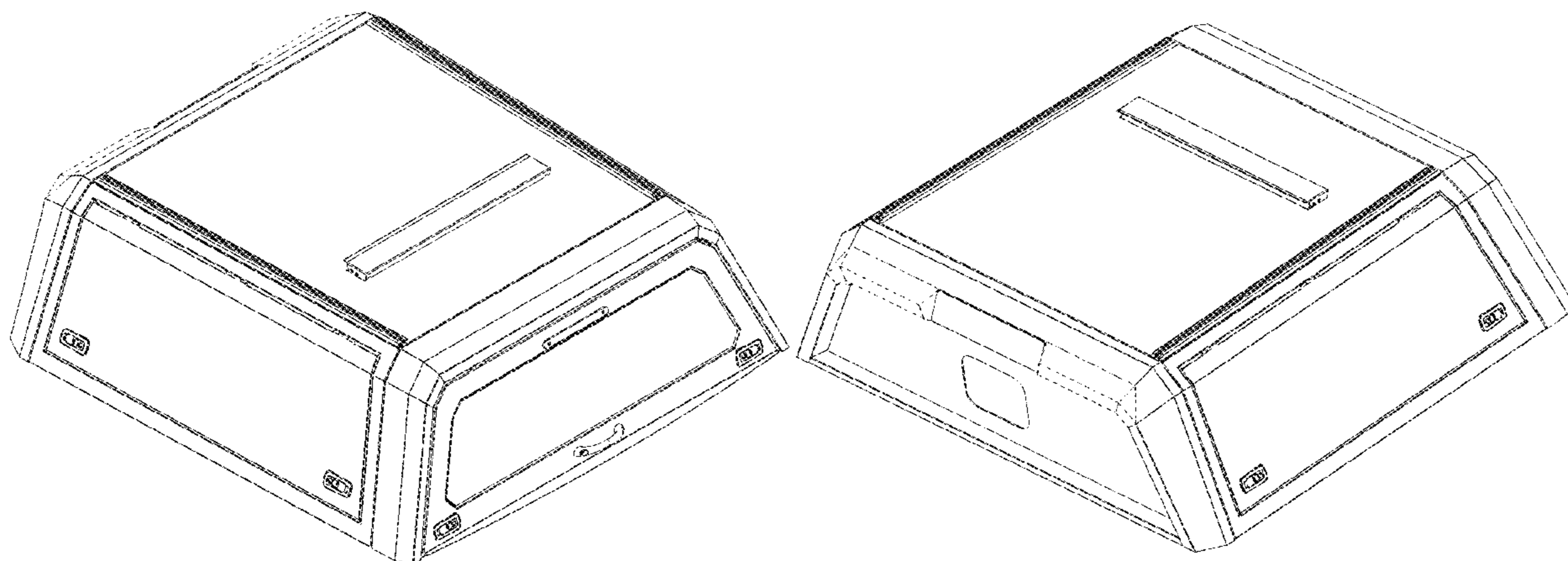
FIG. 16 is a side view thereof, the opposite side being a mirror image thereof;

FIG. 17 is a rear view thereof; and,

FIG. 18 is a front view thereof.

The dash-dot-dash broken lines define bounds of the design and form no part of the claimed design. All other broken lines illustrate portions of the canopy for a vehicle, truck, light delivery vehicle or similar vehicle that form no part of the claimed design.

1 Claim, 18 Drawing Sheets



- (58) **Field of Classification Search**
 USPC D12/401, 403, 404, 406, 407, 408, 409,
 D12/410, 412, 413, 414, 414.1
 CPC B62D 35/001; B62D 35/002; B62D 25/06;
 B62D 29/045; B62D 65/14; B60P 7/02;
 B60P 7/14; B60J 7/20; B60R 9/00; B60R
 9/02; B60R 9/04; B60R 9/06; B60R 9/08;
 B60R 9/10; B60R 9/045; B60R 9/048;
 B60R 9/055; B60R 9/058
 See application file for complete search history.

D857,609	S	8/2019	Rohr	
D864,086	S	10/2019	Breece	
D867,969	S	11/2019	Johnson	
D881,110	S	4/2020	Herndon	
D924,120	S *	7/2021	Voss	D12/401
D928,694	S	8/2021	Steinberg	
D930,551	S	9/2021	Suckling	
D932,417	S *	10/2021	Voss	D12/401
2008/0067830	A1	3/2008	Frankham	
2010/0327618	A1	12/2010	Soldatelli	
2021/0114445	A1	4/2021	Deckard	

(56) **References Cited**

U.S. PATENT DOCUMENTS

D211,017	S *	5/1968	Willison	D12/404
D212,744	S *	11/1968	Keurst	D12/404
D232,822	S *	9/1974	Knoss et al.	D12/404
D271,757	S	12/1983	Miller	
D290,945	S *	7/1987	Geisler	D12/404
D293,094	S *	12/1987	Brown	D12/404
D298,818	S *	12/1988	Silliker	D12/404
D299,223	S *	1/1989	Galvin	D12/404
D310,806	S *	9/1990	Hertzberg	D12/403
5,072,984	A	12/1991	Jackson	
D324,015	S *	2/1992	Quiniones	D12/404
D324,196	S *	2/1992	Muth	D12/404
D325,551	S *	4/1992	Quiniones	D12/404
D326,441	S *	5/1992	Rogers	D12/404
D328,049	S	7/1992	Sturtevant	
D328,062	S	7/1992	Burgess	
D329,837	S *	9/1992	Rogers	D12/404
D330,182	S	10/1992	Jones	
D332,934	S *	2/1993	Brown	D12/181
5,183,310	A	2/1993	Shaughnessy	
D335,116	S	4/1993	Reed	
D383,432	S *	9/1997	Starr	D12/404
D387,029	S	12/1997	Heinemann	
D388,049	S *	12/1997	Reardon	D12/403
D403,652	S *	1/1999	Starr	D12/404
D431,225	S *	9/2000	Perlman	D12/404
D438,168	S *	2/2001	Schroeder	D12/404
D444,445	S *	7/2001	Schroeder	D12/404
D464,606	S *	10/2002	Soldatelli	D12/404
D610,067	S *	2/2010	Frankham	D12/404
D619,078	S	7/2010	Frankham	
D623,583	S *	9/2010	Girardi	D12/404
9,150,087	B2 *	10/2015	Aho	B60J 7/141
D812,545	S	3/2018	Donohoe	
D836,532	S	12/2018	King	
10,252,603	B2 *	4/2019	Rohr	B60J 7/1621

OTHER PUBLICATIONS

RLD Design, www.rlddesignusa.com [online]. Published on or before Oct. 4, 2020, [retrieved on Oct. 4, 2020]. Retrieved from the Internet: <URL:<https://www.rlddesignusa.com/p/toyota/tacoma/tacoma-truck-cap-canopy/>> (Year: 2020).*

SmartCanopy—You Tube [online] [retrieved Jun. 26, 2019]. Retrieved from the Internet: <<https://www.youtube.com/user/RockSolidIndustries1/videos>>, (undated) 3 pages.

RSI SmartCanopy®—Leisure Canopy—YouTube [online] [retrieved Jun. 26, 2019]. Retrieved from the Internet: <https://www.youtube.com/watch?v=Rrt_o41CQ1>, (dated Mar. 7, 2017) 1 page.

Leisure RSI SmartCanopy (Short Clip)—YouTube [online] [retrieved Jun. 26, 2019]. Retrieved from the Internet: <https://www.youtube.com/watch?v=_b2jhlw032E>. (dated Jun. 14, 2017) 1 page.

RSi SmartCanopy® Stainless Steel Canopies & Accessories, 2018 Edition [online] [retrieved Jun. 26, 2019], Retrieved from the Internet: <[https://smartcanopy.co.za/PDF/RSI-SMARTCANOPY-Brochure-April-2018-\(WEB\).pdf](https://smartcanopy.co.za/PDF/RSI-SMARTCANOPY-Brochure-April-2018-(WEB).pdf)>. (Apr. 2018) 8 pages.

RSi SmartCanopy® Less Standard, More Smart [online] [retrieved Jun. 26, 2019]. Retrieved from the Internet: <[https://smartcanopy.co.za/PDF/RSI-SMARTCANOPY-Sales-Brochure-2017-\(WEB\).pdf](https://smartcanopy.co.za/PDF/RSI-SMARTCANOPY-Sales-Brochure-2017-(WEB).pdf)>. (2017) 4 pages.

Design U.S. Appl. No. 29/681,185, filed Feb. 22, 2019; In re: Voss; entitled *Modular Flat Deck, Skirting, and Canopy for a Vehicle, Truck, or the Like*.

Design U.S. Appl. No. 29/681,188, filed Feb. 22, 2019; In re: Voss; entitled *Canopy for a Vehicle, Truck or the Like*.

Design U.S. Appl. No. 29/681,255, filed Feb. 22, 2019; In re: Voss; entitled *Canopy for a Vehicle, Truck, or the Like and Components and Accessories Related Thereto*.

SmartCap EVO, www.rsismartcap.com [online]. Published on or before Sep. 23, 2020, [retrieved on Sep. 23, 2020]. Retrieved from the Internet: UR: <https://www.rsismartcap.com/products/smartcap-evo> (Year: 2020) (15 pages).

* cited by examiner

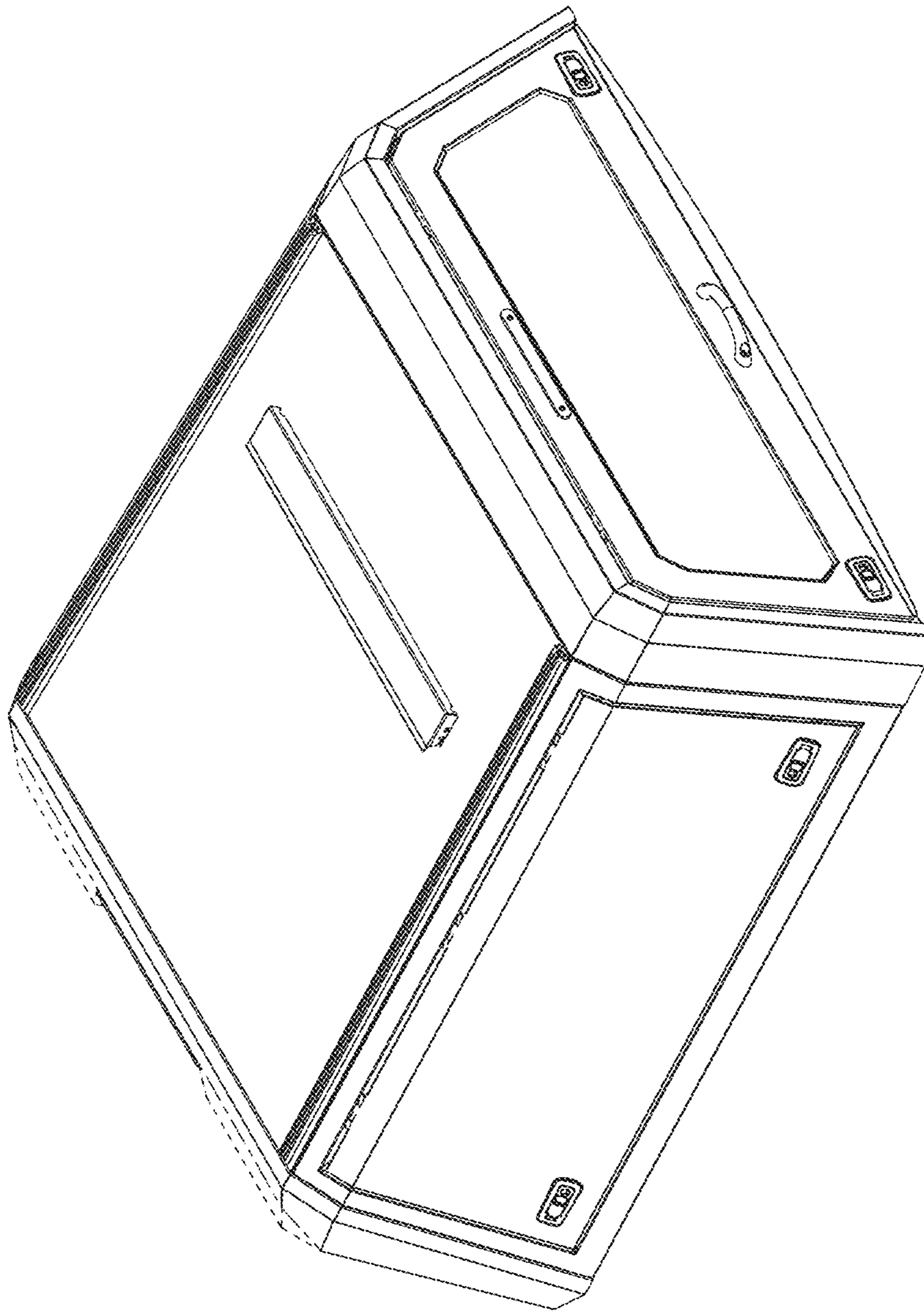


FIG. 1

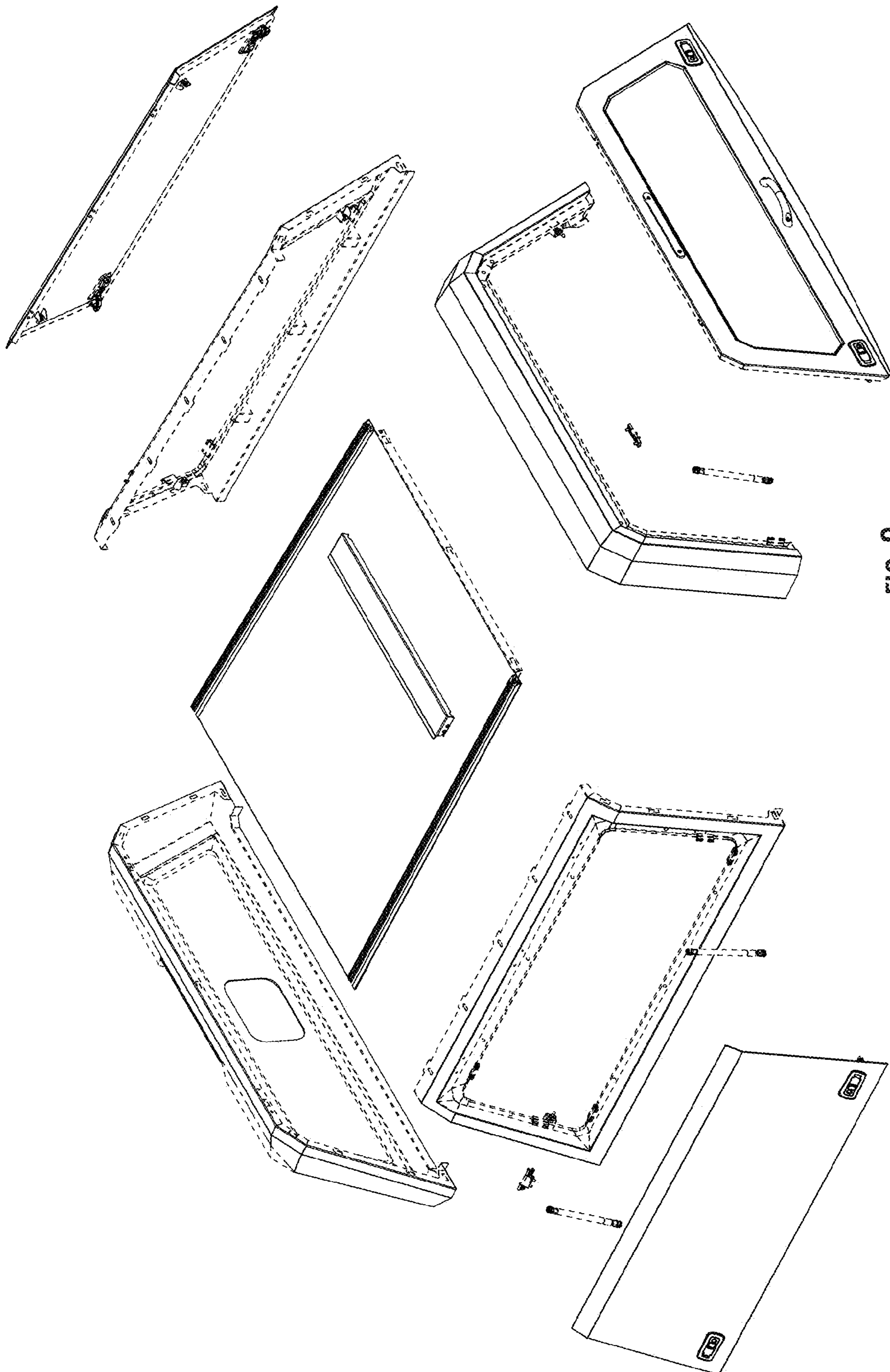


FIG. 2

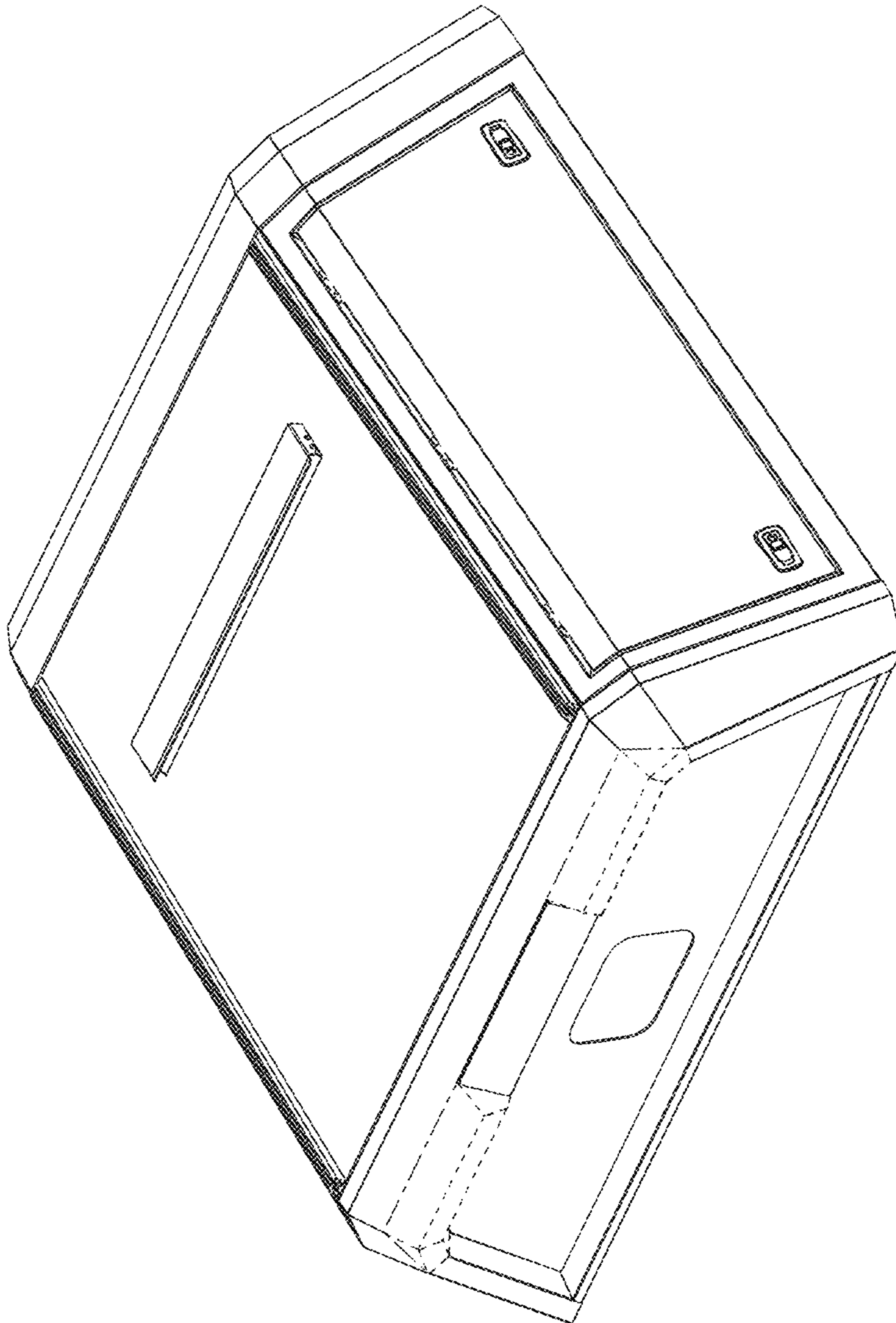


FIG. 3

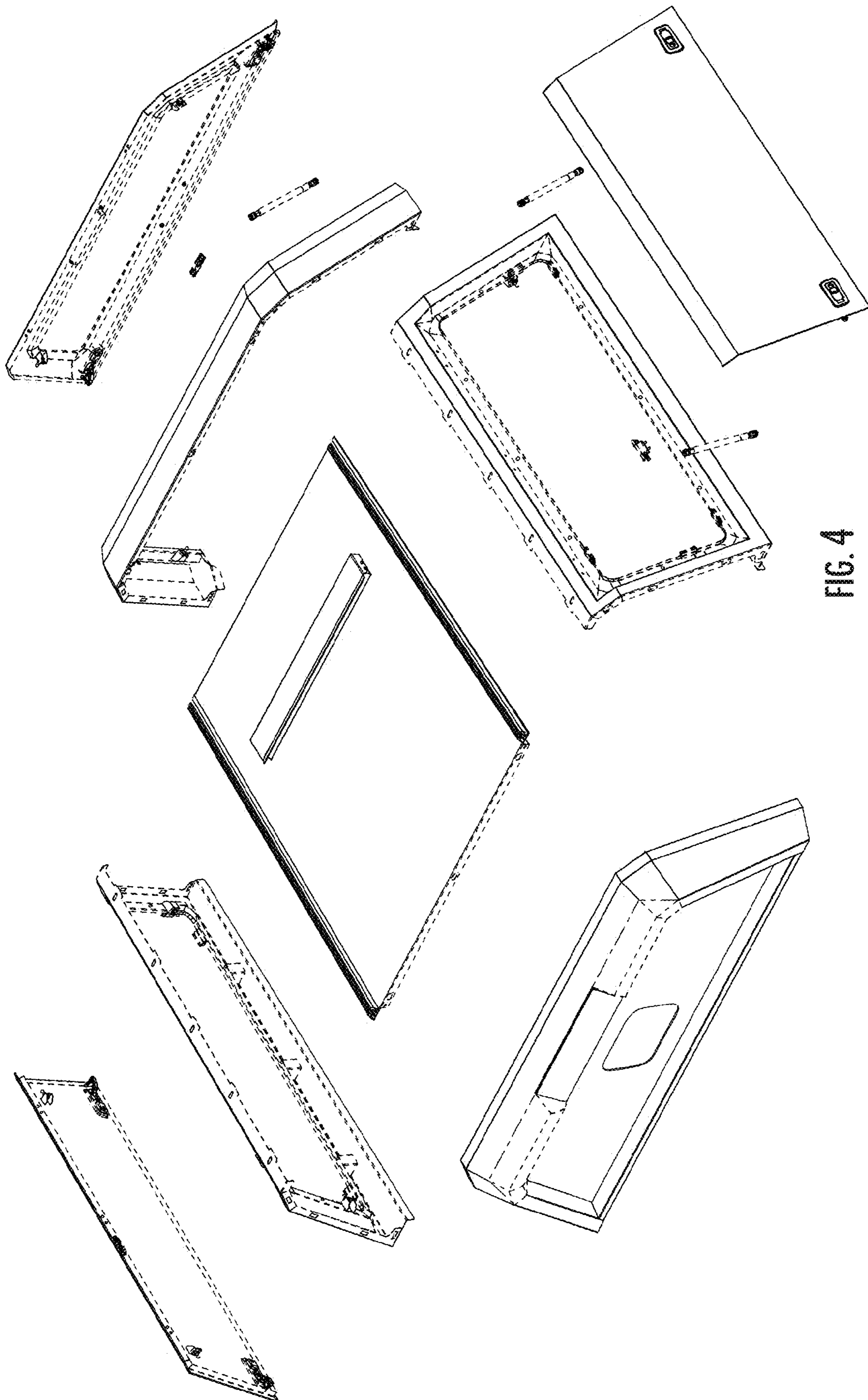


FIG. 4

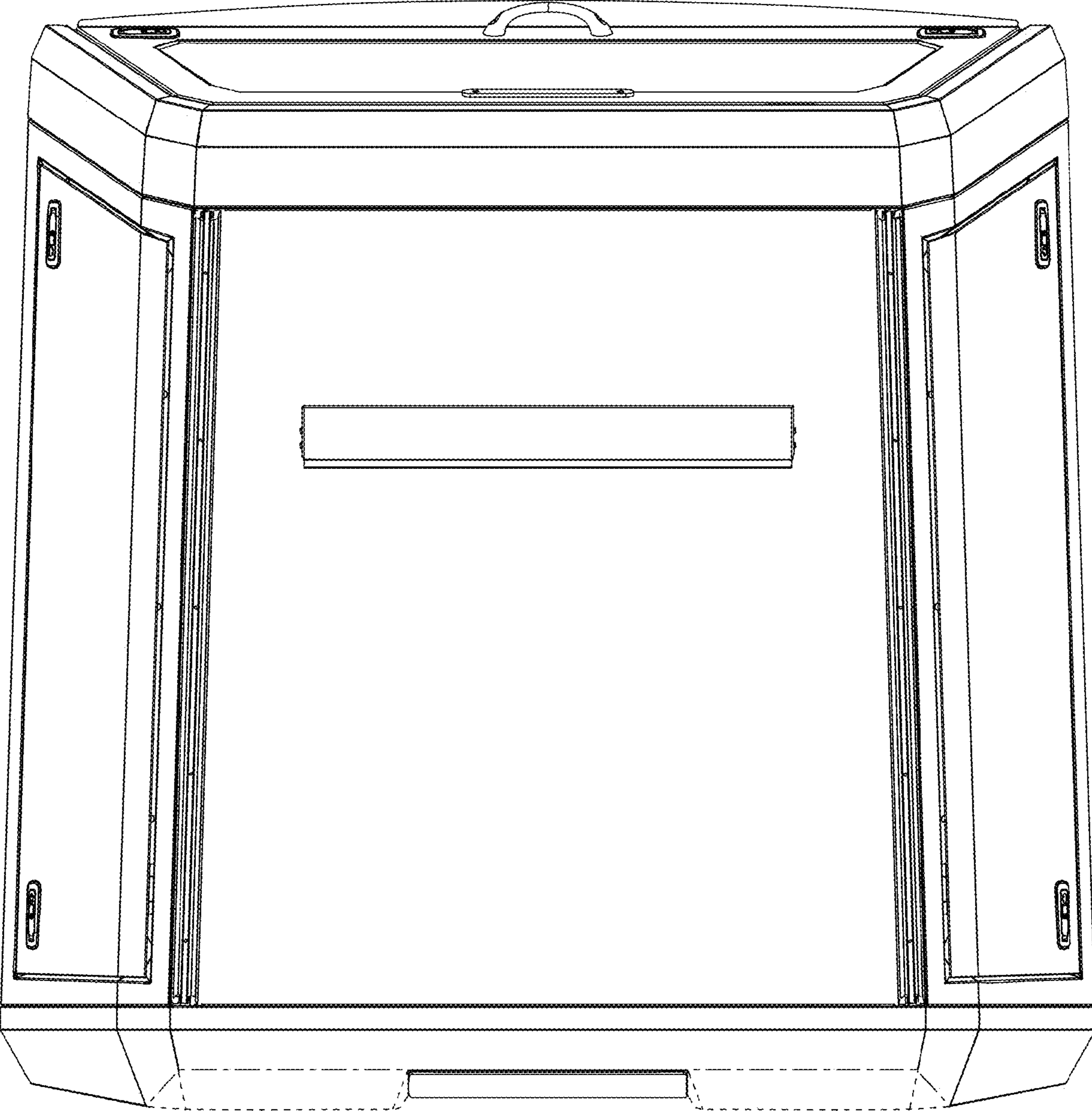


FIG. 5

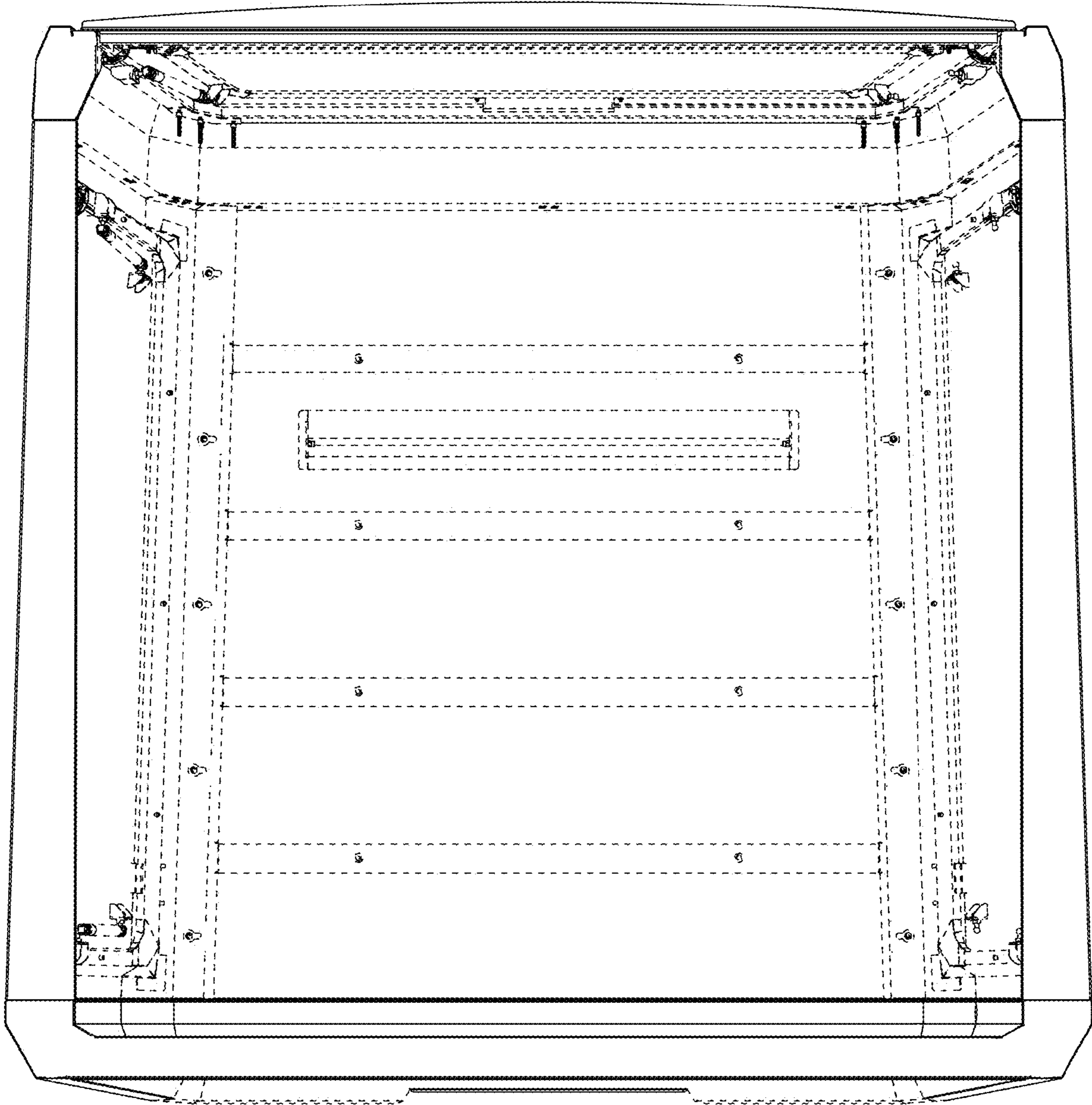


FIG. 6

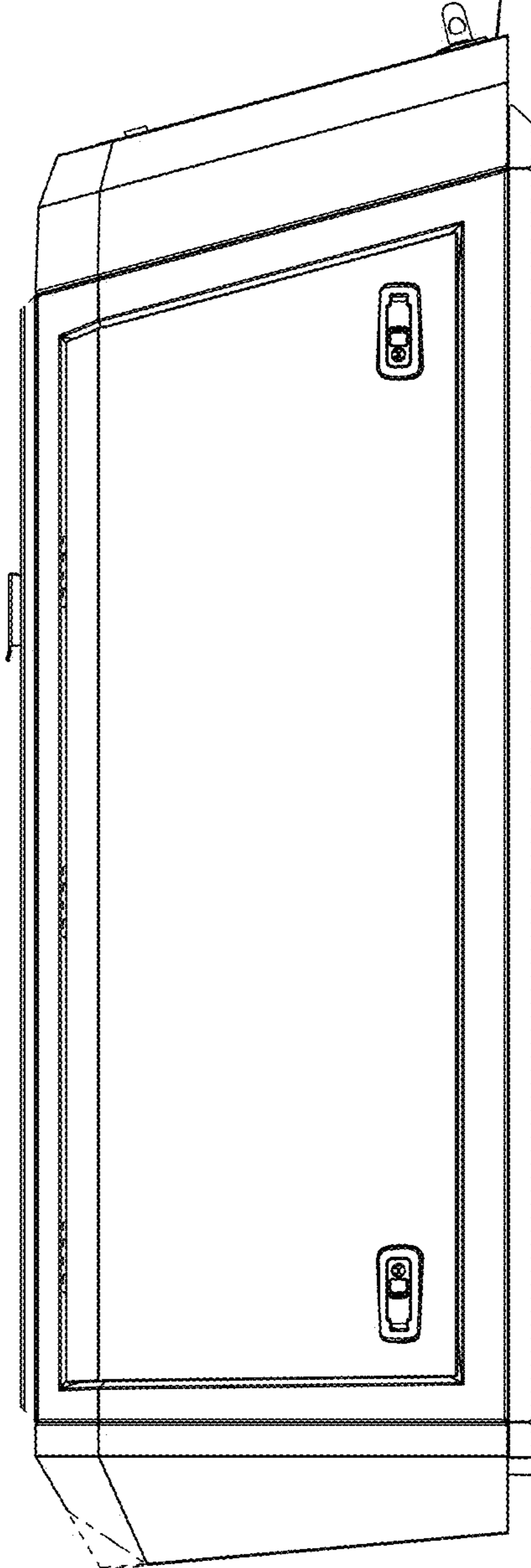


FIG. 7

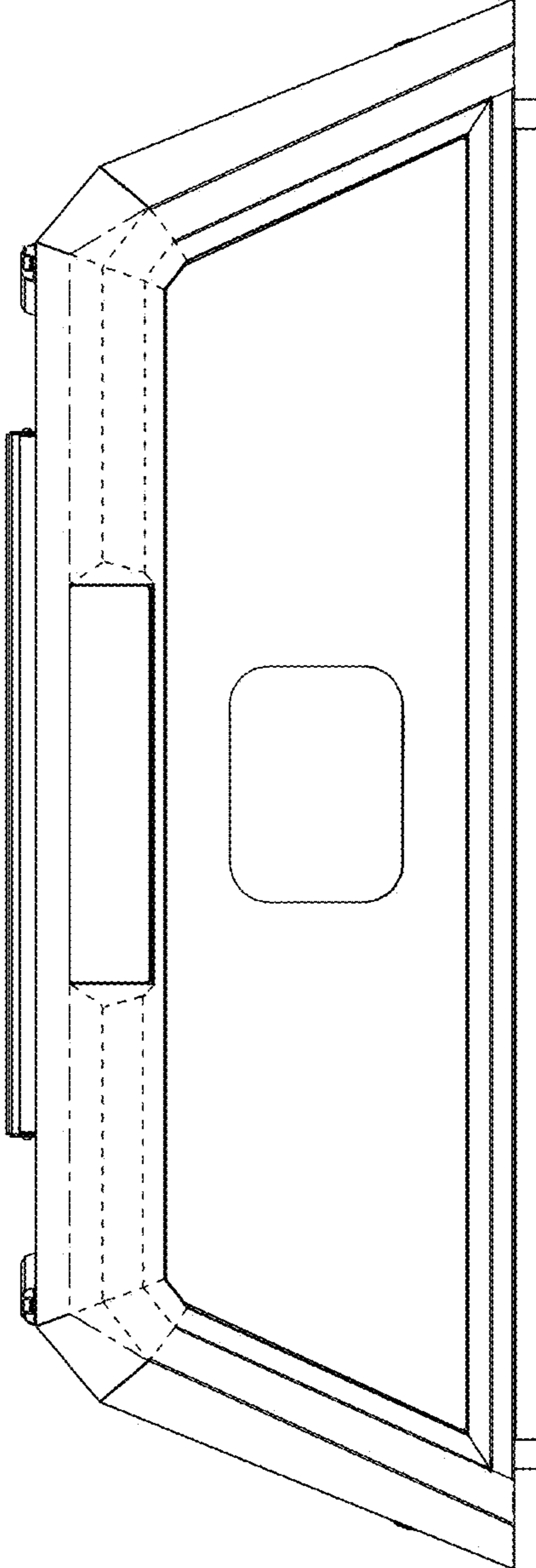


FIG. 8

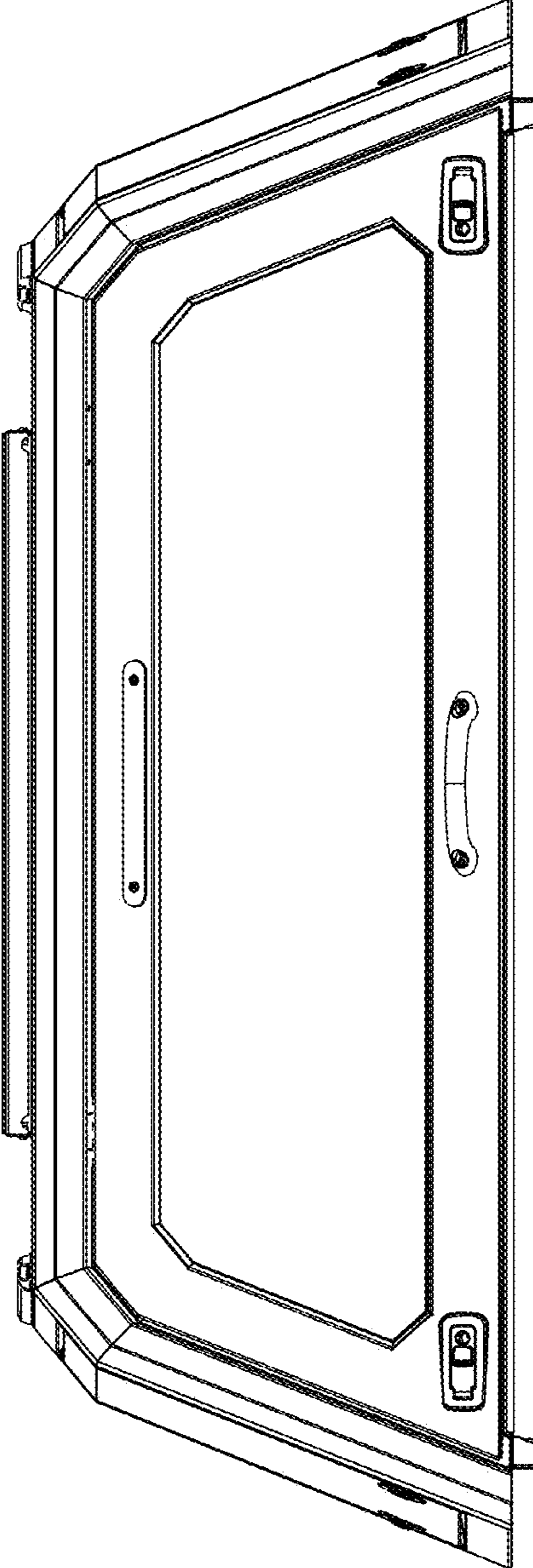


FIG. 9

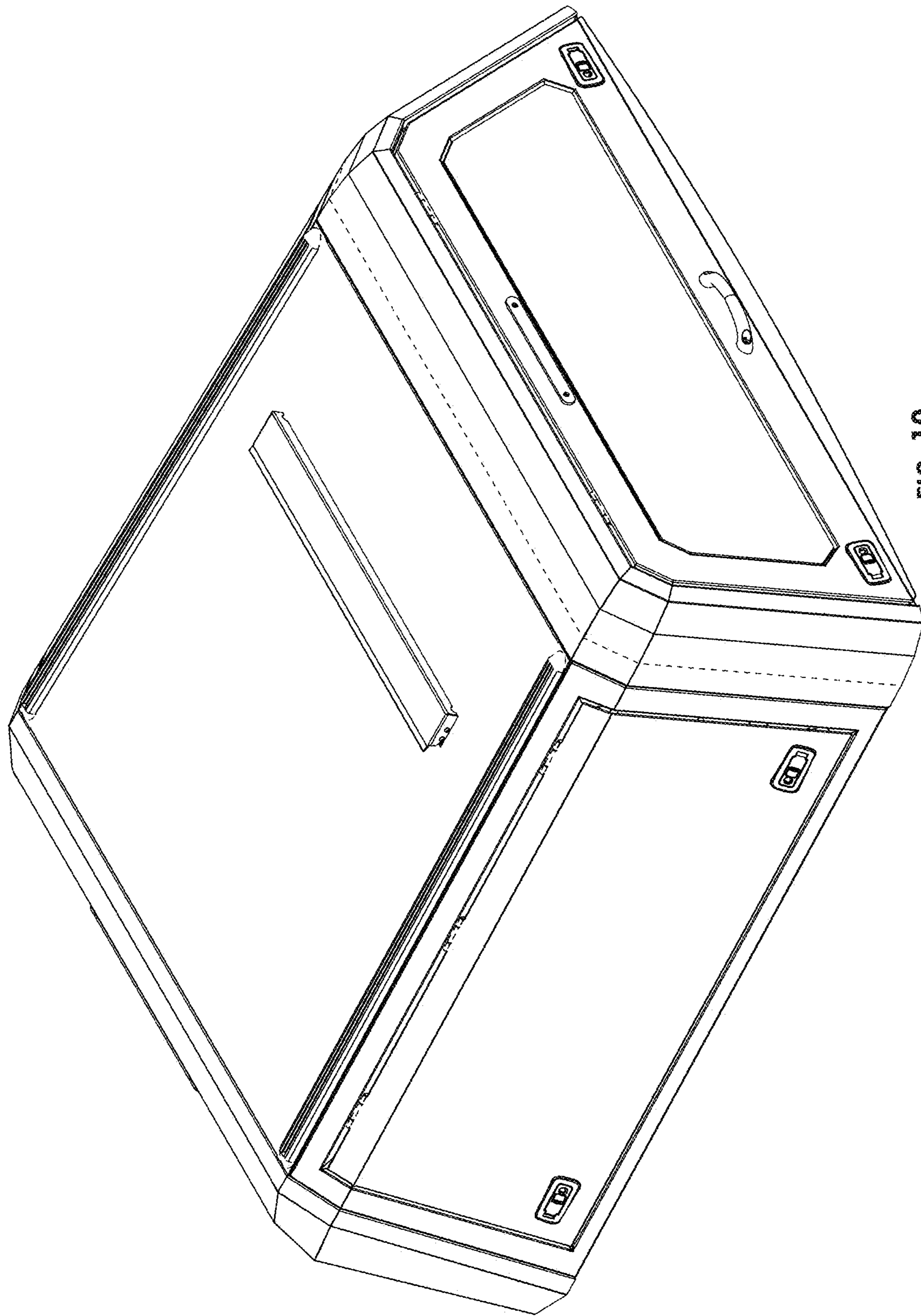


FIG. 10

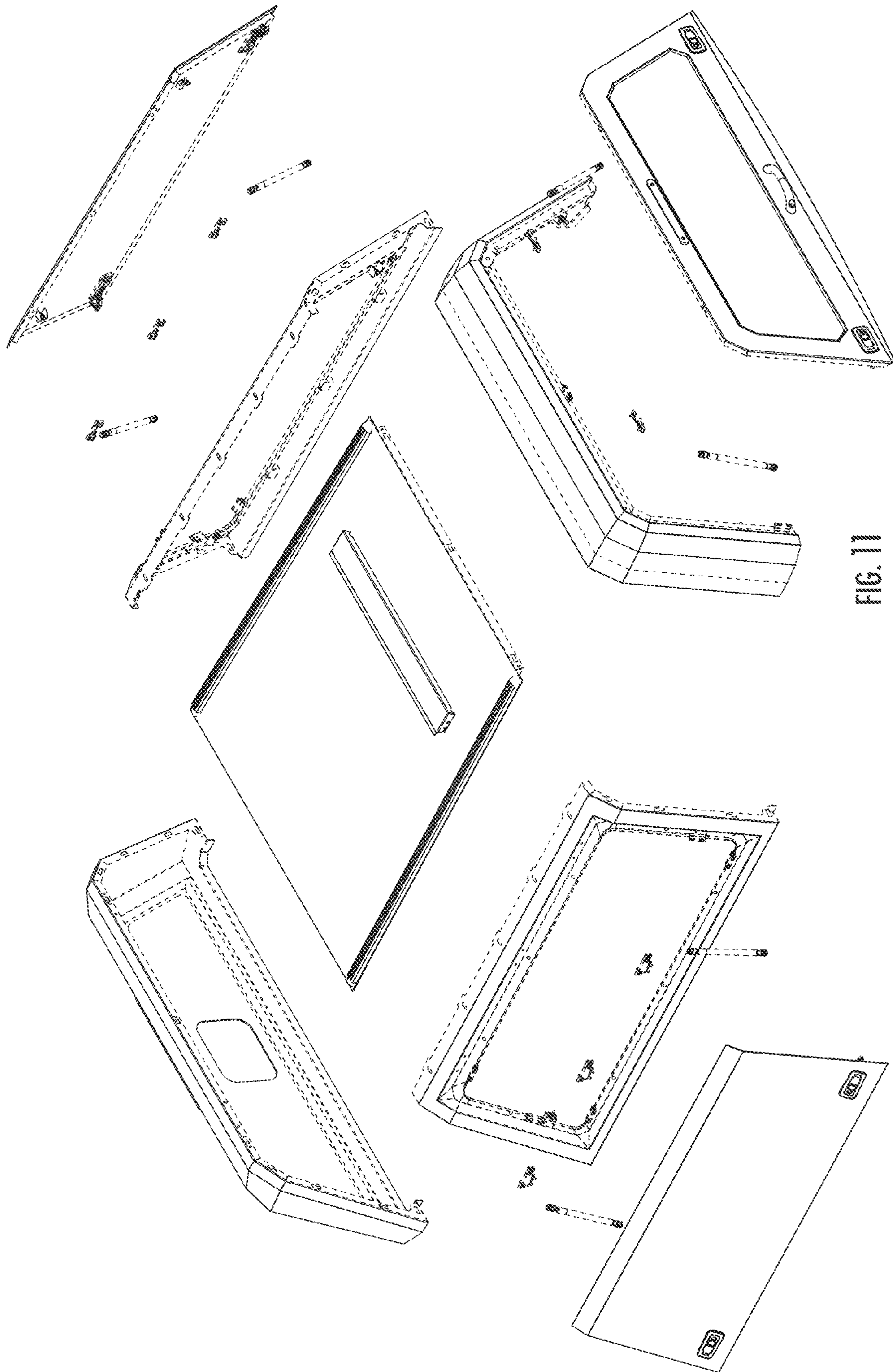


FIG. 11

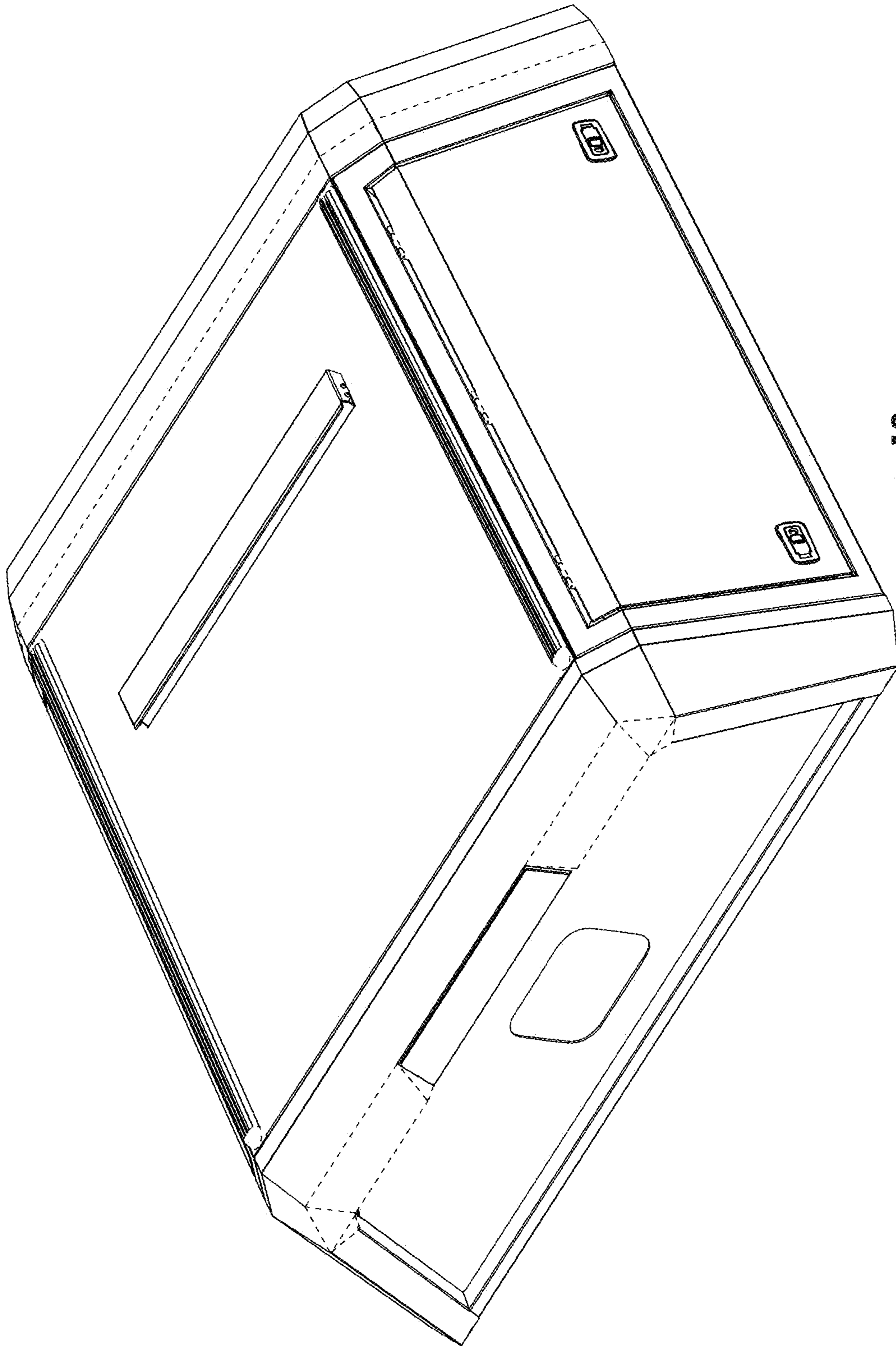


FIG. 12

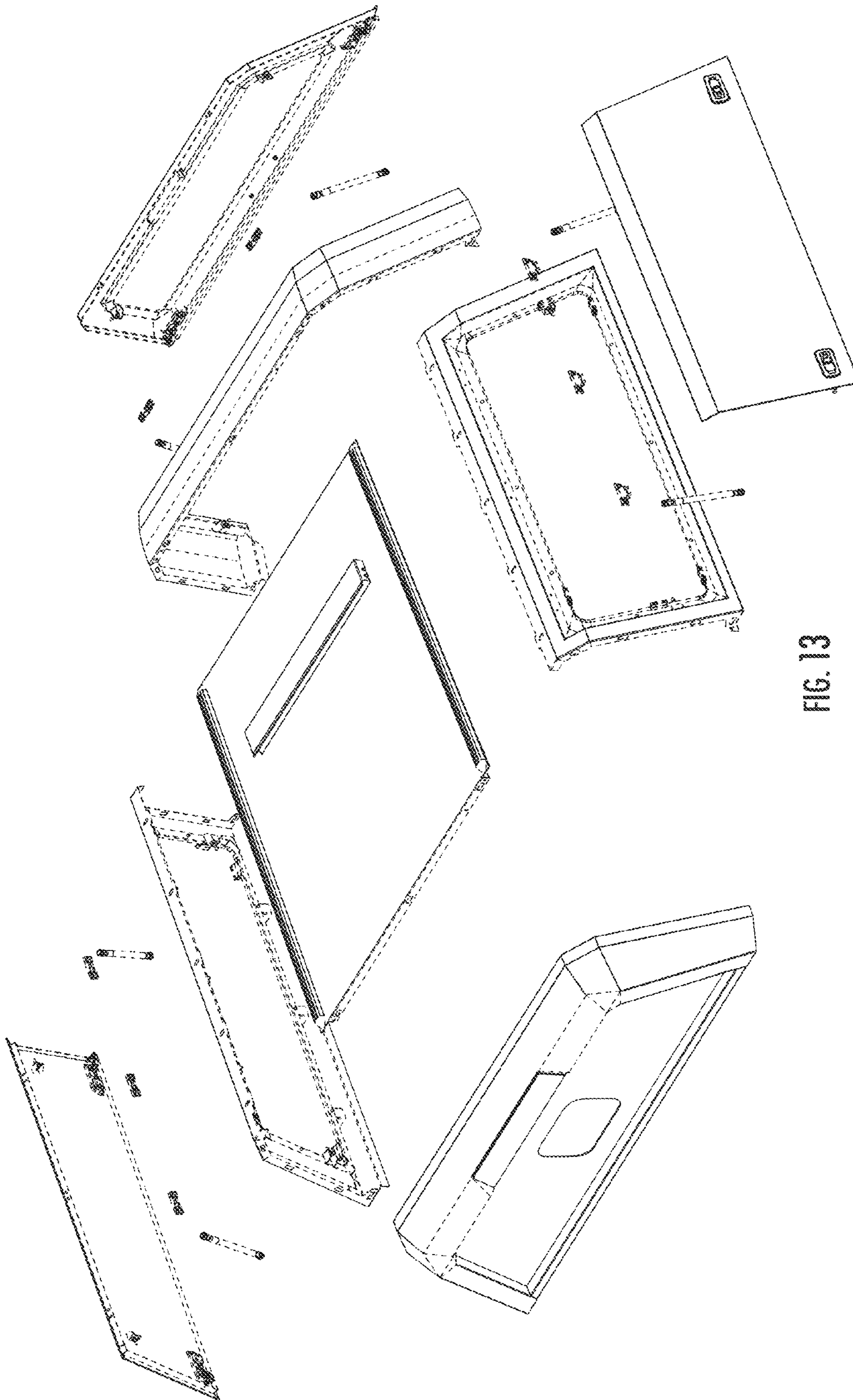


FIG. 13

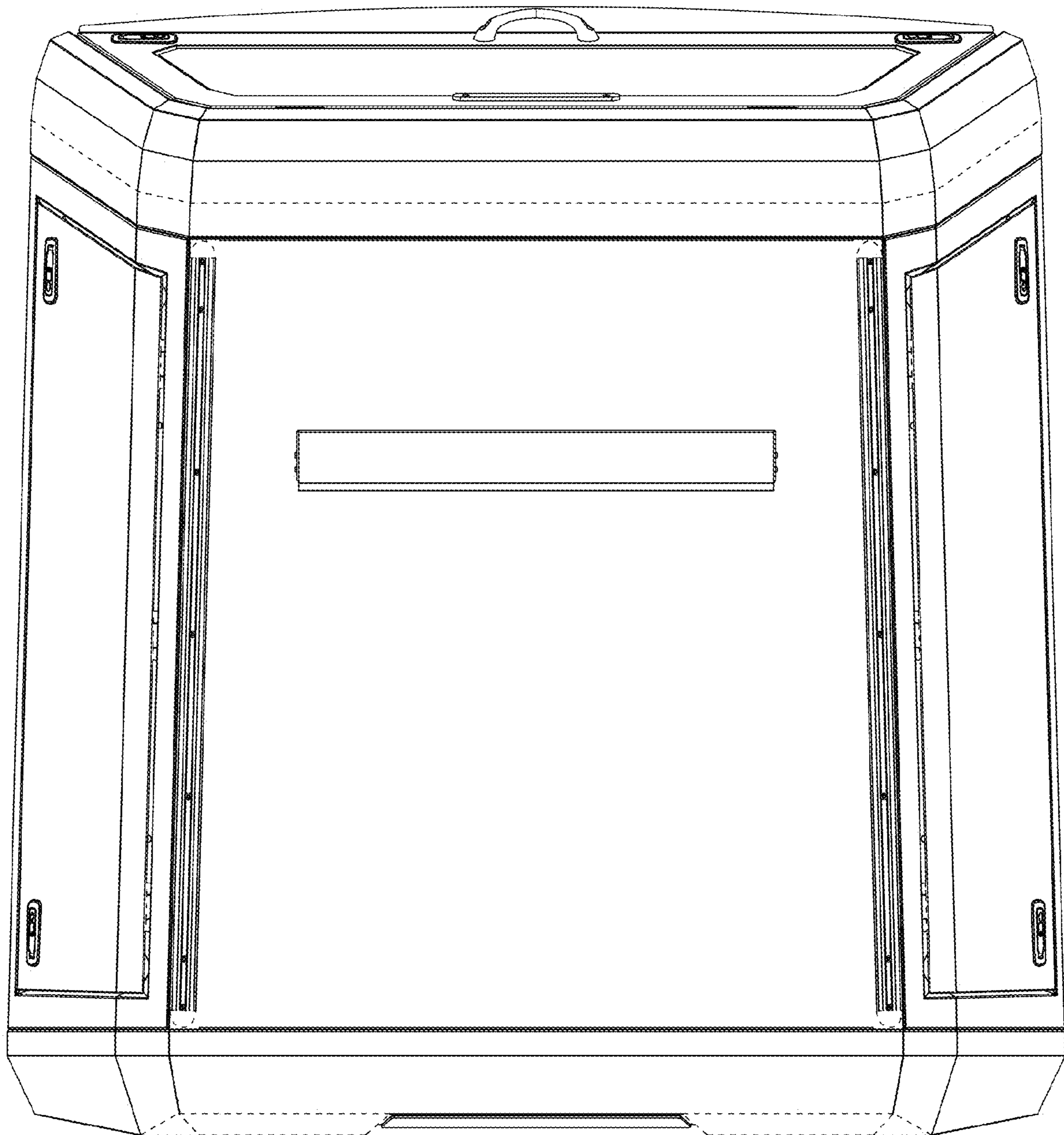


FIG. 14

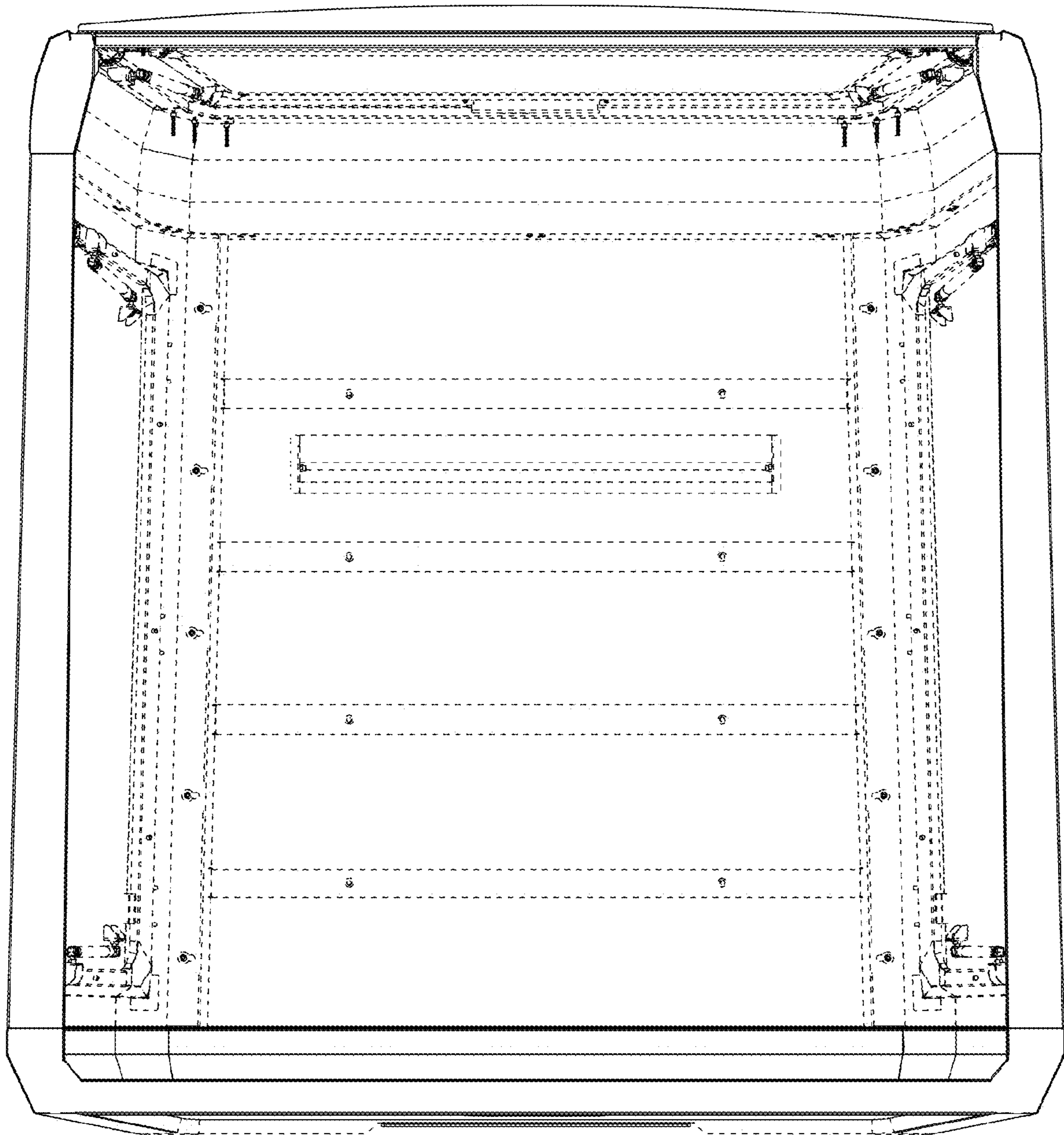


FIG. 15

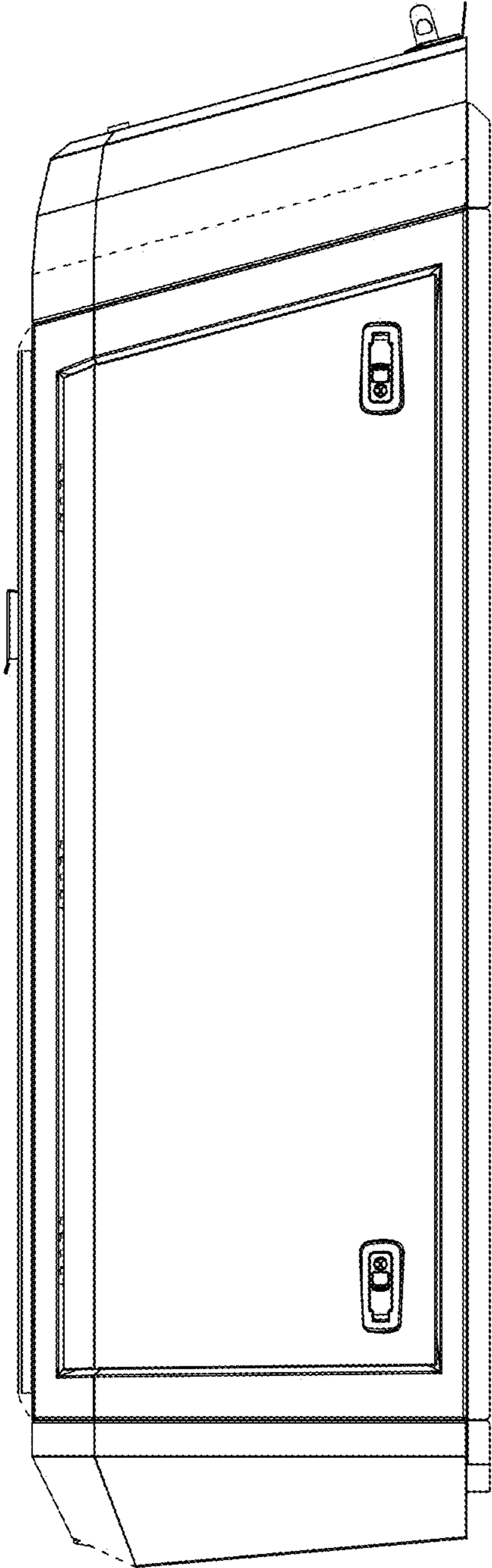


FIG. 16

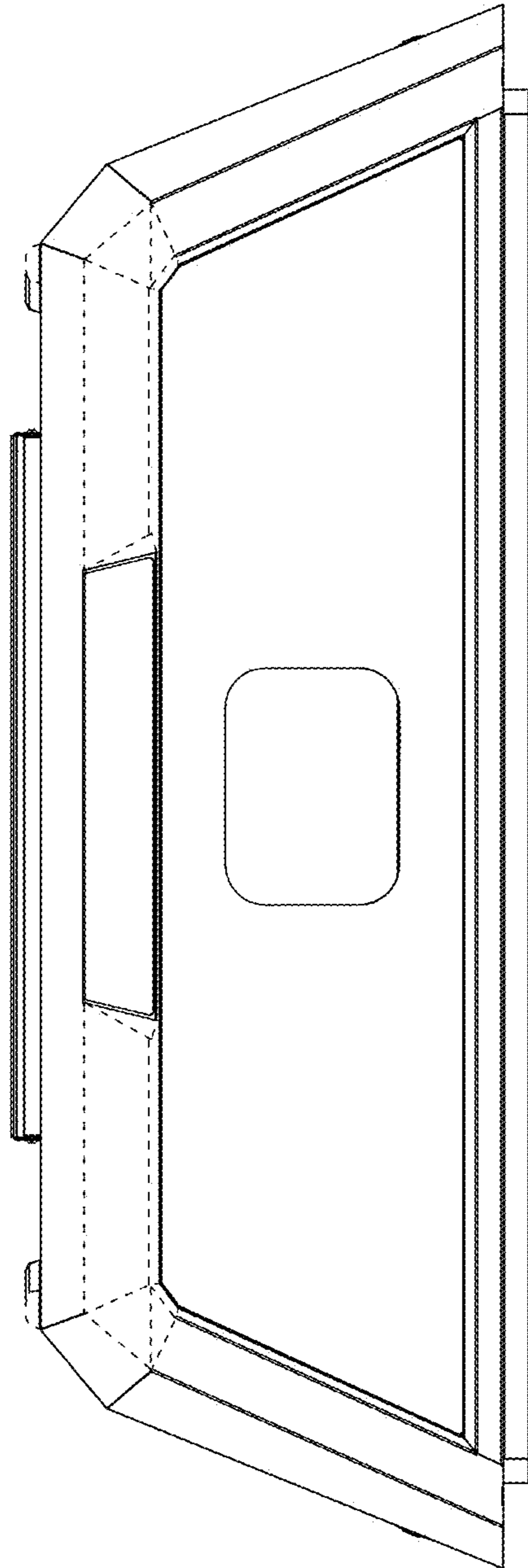


FIG. 17

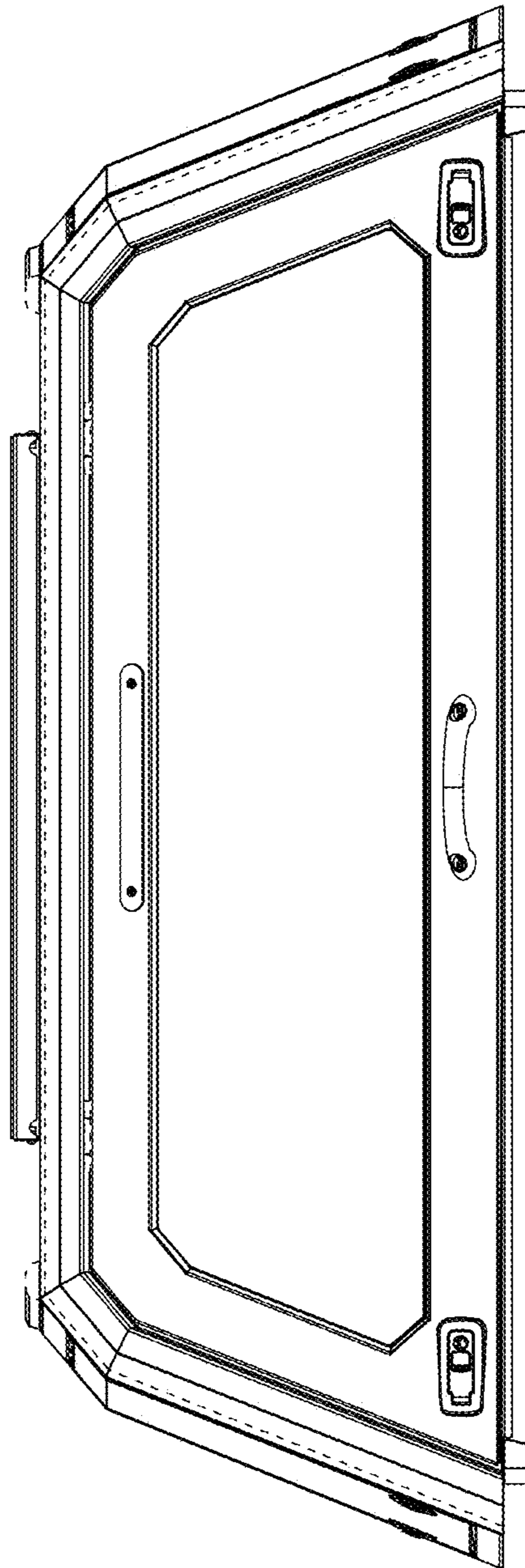


FIG. 18