



US00D961490S

(12) **United States Design Patent**  
**Voss**

(10) **Patent No.:** **US D961,490 S**  
(45) **Date of Patent:** **\*\* Aug. 23, 2022**

(54) **CANOPY FOR A VEHICLE, TRUCK, OR THE LIKE**

(71) Applicant: **Rock Solid Industries International (Pty) Ltd, Pietermaritzburgh (ZA)**

(72) Inventor: **Michael Voss, Pietermaritzburg (ZA)**

(73) Assignee: **ROCK SOLID INDUSTRIES INTERNATIONAL (PTY) LTD, Pietermaritzburgh (ZA)**

(\*\*) Term: **15 Years**

(21) Appl. No.: **29/681,188**

(22) Filed: **Feb. 22, 2019**

(30) **Foreign Application Priority Data**

Feb. 21, 2019 (ZA) ..... A2019/00263

(51) **LOC (13) Cl.** ..... **12-16**

(52) **U.S. Cl.**  
USPC ..... **D12/404**

(58) **Field of Classification Search**  
USPC ..... D12/401-405, 182-183; D6/610  
CPC ..... A47D 15/00; A47C 7/66; A47C 31/00;  
A47G 9/068

See application file for complete search history.

(56) **References Cited**

**U.S. PATENT DOCUMENTS**

2,032,630 A	3/1936	Northup
D206,530 S	12/1966	Zell
D211,017 S	5/1968	Willison
D212,744 S	11/1968	Keurst
D232,822 S	9/1974	Knoss et al.
D271,757 S	12/1983	Miller
D290,945 S	7/1987	Geisler
D293,094 S	12/1987	Brown

D298,818 S	12/1988	Silliker
D299,223 S	1/1989	Galvin
D310,806 S	9/1990	Hertzberg
5,072,984 A	12/1991	Jackson
D324,015 S	2/1992	Quiniones

(Continued)

**OTHER PUBLICATIONS**

SmartCap EVO, www.rsismartcap.com [online], Published on or before Sep. 23, 2020, [retrieved on Sep. 23, 2020]. Retrieved from the Internet: URL https://www.rsismartcap.com/products/smartcap-evo (Year: Jan. 1, 2020).

(Continued)

*Primary Examiner* — Katrina A Betton

(74) *Attorney, Agent, or Firm* — K&L Gates LLP; Nolan R. Hubbard

(57) **CLAIM**

I claim the ornamental design for a canopy for a vehicle, truck, or the like, as shown and described.

**DESCRIPTION**

FIG. 1 is a perspective front view of an embodiment of a canopy for a vehicle, truck, or the like showing my new design, shown in a position of use with side and rear doors closed;

FIG. 2 is a rear elevation view thereof;

FIG. 3 is a top plan view thereof;

FIG. 4 is a side elevation view thereof, the opposition side being a mirror image thereof;

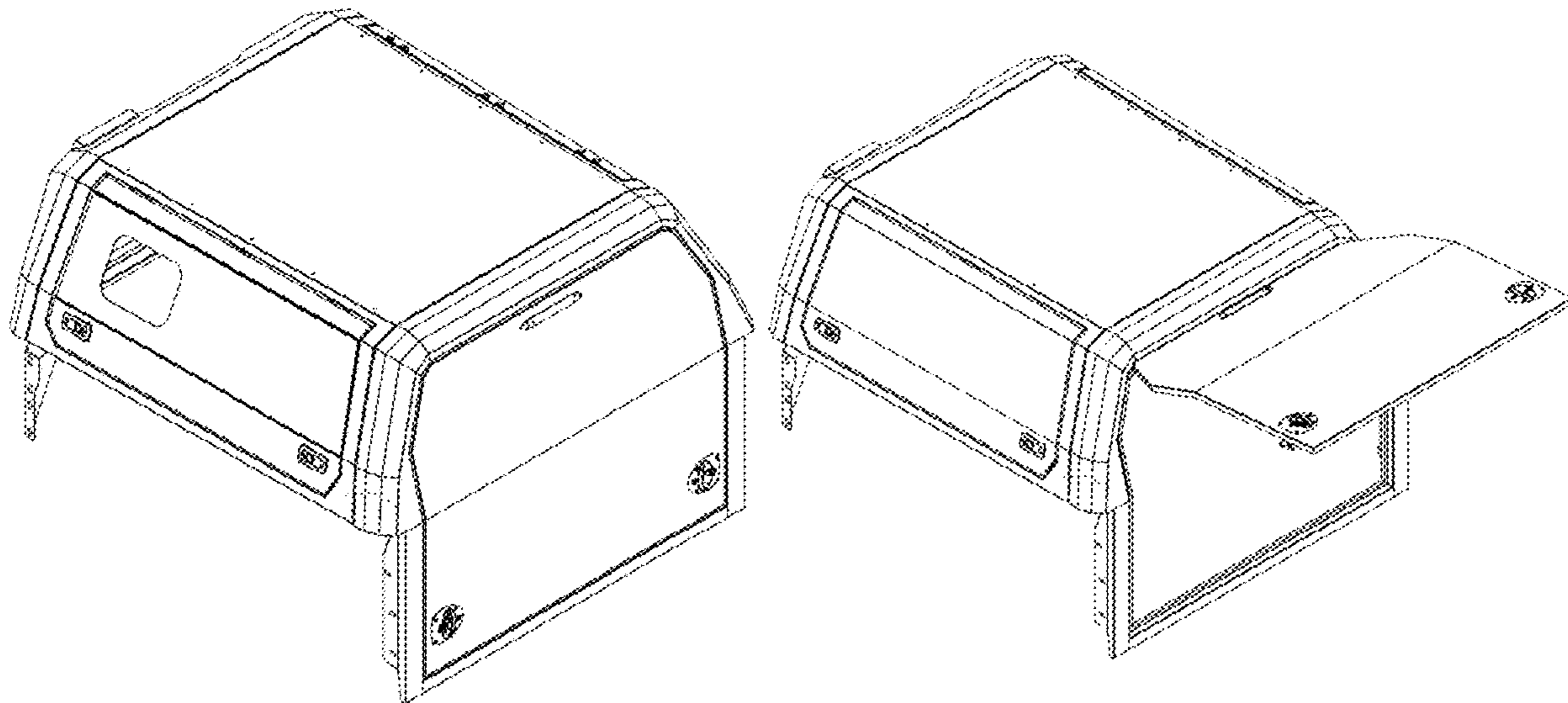
FIG. 5 is a perspective front view of another embodiment of a canopy for a vehicle, truck, or the like showing my new design, shown in a position of use with side and rear doors open;

FIG. 6 is a rear elevation view thereof;

FIG. 7 is a top plan view thereof; and,

FIG. 8 is a side elevation view thereof, the opposition side being a mirror image thereof.

**1 Claim, 6 Drawing Sheets**



(56)

References Cited

U.S. PATENT DOCUMENTS

D324,196 S 2/1992 Muth  
 D325,551 S 4/1992 Quiniones  
 D326,441 S 5/1992 Rogers  
 D328,049 S 7/1992 Sturtevant  
 D328,062 S 7/1992 Burgess  
 D329,837 S 9/1992 Rogers  
 D330,182 S 10/1992 Jones  
 D332,934 S 2/1993 Brown  
 5,183,310 A 2/1993 Shaughnessy  
 D335,116 S 4/1993 Reed  
 D383,432 S 9/1997 Starr  
 D387,029 S \* 12/1997 Heinemann ..... D12/404  
 D388,049 S 12/1997 Reardon  
 D403,652 S \* 1/1999 Starr ..... D12/404  
 D431,225 S \* 9/2000 Perlman ..... D12/404  
 D438,168 S 2/2001 Schroeder  
 D444,445 S \* 7/2001 Schroeder ..... D12/404  
 D464,606 S 10/2002 Soldatelli  
 D610,067 S \* 2/2010 Frankham ..... D12/404  
 D619,078 S 7/2010 Frankham  
 D623,583 S \* 9/2010 Girardi ..... D12/404  
 9,150,087 B2 10/2015 Aho  
 D812,545 S 3/2018 Donohoe  
 D836,532 S 12/2018 King  
 10,252,603 B2 4/2019 Rohr ..... D12/401  
 D857,609 S \* 8/2019 Rohr ..... D12/401  
 D864,086 S 10/2019 Breece  
 D867,969 S 11/2019 Johnson  
 D881,110 S 4/2020 Herndon  
 D924,120 S \* 7/2021 Voss ..... D12/401  
 D932,417 S 7/2021 Voss  
 D928,694 S \* 8/2021 Steinberg ..... B62D 33/0617  
 D12/404  
 D930,551 S 9/2021 Suckling  
 2008/0067830 A1 \* 3/2008 Frankham ..... B60J 7/106  
 296/100.02

2010/0327618 A1 \* 12/2010 Soldatelli ..... B60J 7/1621  
 296/100.1  
 2020/0398644 A1 \* 12/2020 Voss ..... B60H 3/0641  
 2021/0114445 A1 \* 4/2021 Deckard ..... B60P 7/02  
 2021/0129643 A1 5/2021 Voss

OTHER PUBLICATIONS

EVO Sport\_RSI SmartCap, www.rsismartcanopy.com[online]. Published on or before Oct. 4, 2020, [retrieved on Oct. 4, 2020]. Retrieved from the Internet: URL: <https://www.rsismartcanopy.com/evo-leisure> (Year: Jan. 1, 2020).  
 RLD Design, www.riddesignusa.com [online]. Published on or before Oct. 4, 2020, [retrieved on Oct. 4, 2020]. Retrieved from the Internet: URL: <https://www.riddesignusa.com/p/toyota/tacoma/tacoma-truck-cap-canopy/> (Year: Jan. 1, 2020).  
 SmartCanopy—You Tube [online] [retrieved Jun. 26, 2019]. Retrieved from the Internet: <<https://www.youtube.com/user/RockSolidIndustries1/videos>>. (undated) 3 pages.  
 RSI SmartCanopy®—Leisure Canopy—YouTube [online] [retrieved Jun. 26, 2019]. Retrieved from the Internet: <[https://www.youtube.com/watch?v=Rrt\\_o41CQ1](https://www.youtube.com/watch?v=Rrt_o41CQ1)>. (dated Mar. 7, 2017) 1 page.  
 Leisure RSI SmartCanopy (Short Clip)—YouTube [online] [retrieved Jun. 26, 2019]. Retrieved from the Internet: <[https://www.youtube.com/watch?v=\\_b2jhlw032E](https://www.youtube.com/watch?v=_b2jhlw032E)>. (dated Jun. 14, 2017) 1 page.  
 RSi SmartCanopy® Stainless Steel Canopies & Accessories, 2018 Edition [online] [retrieved Jun. 26, 2019]. Retrieved from the Internet: <[https://smartcanopy.co.za/PDF/RSI-SMARTCANOPY-Brochure-April-2018-\(WEB\).pdf](https://smartcanopy.co.za/PDF/RSI-SMARTCANOPY-Brochure-April-2018-(WEB).pdf)>. (Apr. 2018) 8 pages.  
 RSi SmartCanopy® Less Standard, More Smart [online] [retrieved Jun. 26, 2019]. Retrieved from the Internet: <[https://smartcanopy.co.za/PDF/RSI-SMARTCANOPY-Sales-Brochure-2017-\(WEB\).pdf](https://smartcanopy.co.za/PDF/RSI-SMARTCANOPY-Sales-Brochure-2017-(WEB).pdf)>. (2017) 4 pages.

\* cited by examiner

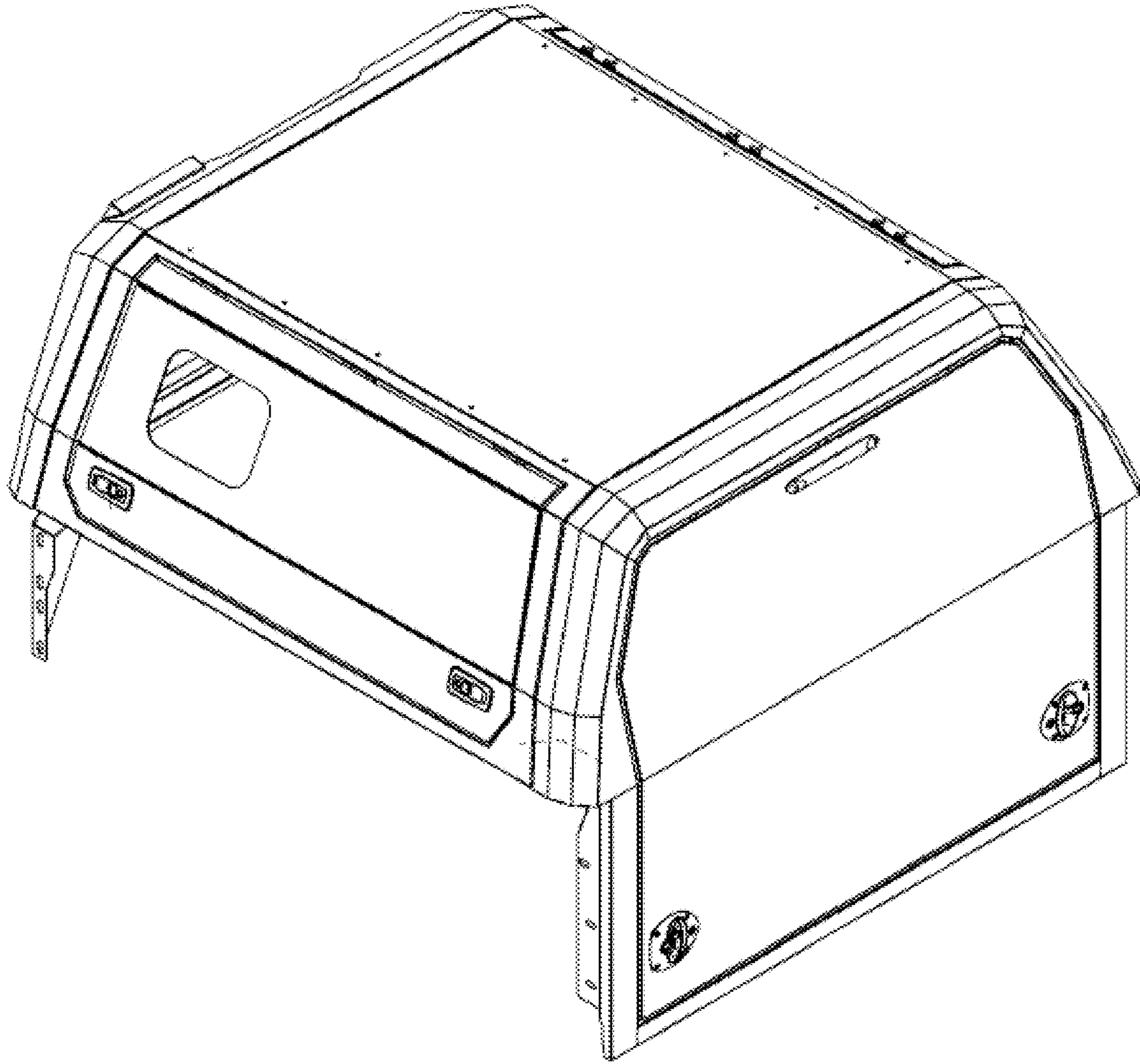


Figure 1

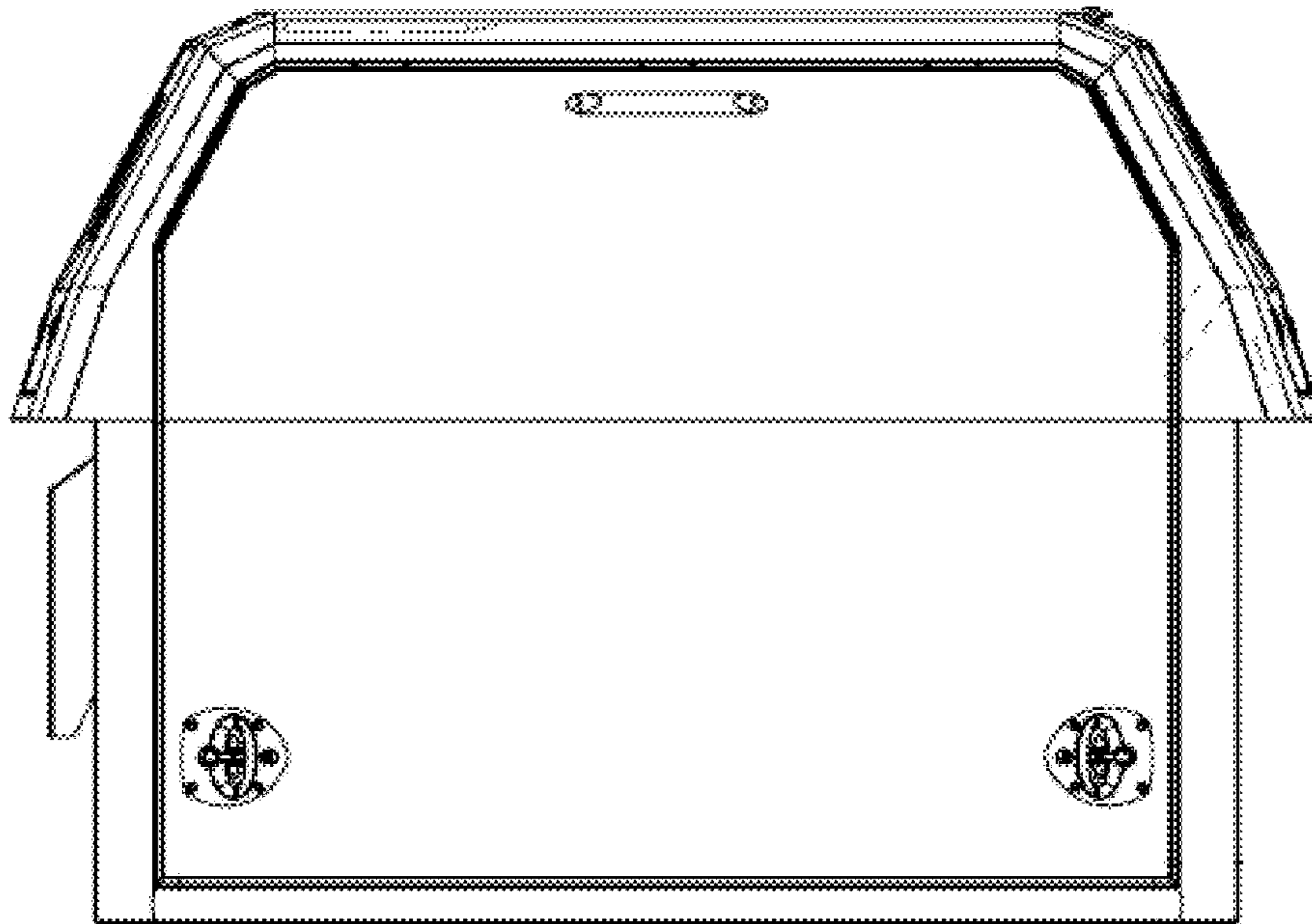


Figure 2

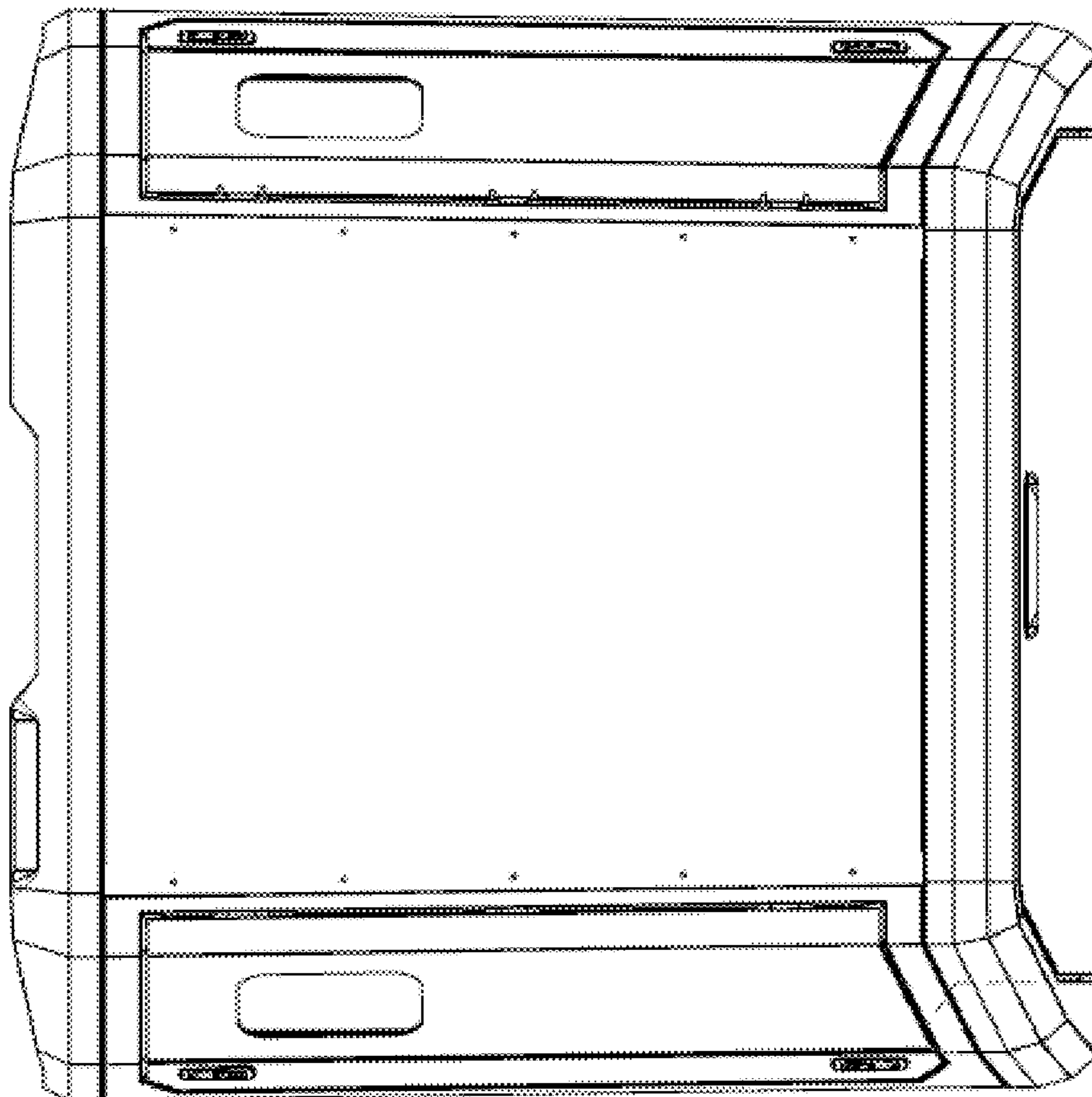


Figure 3

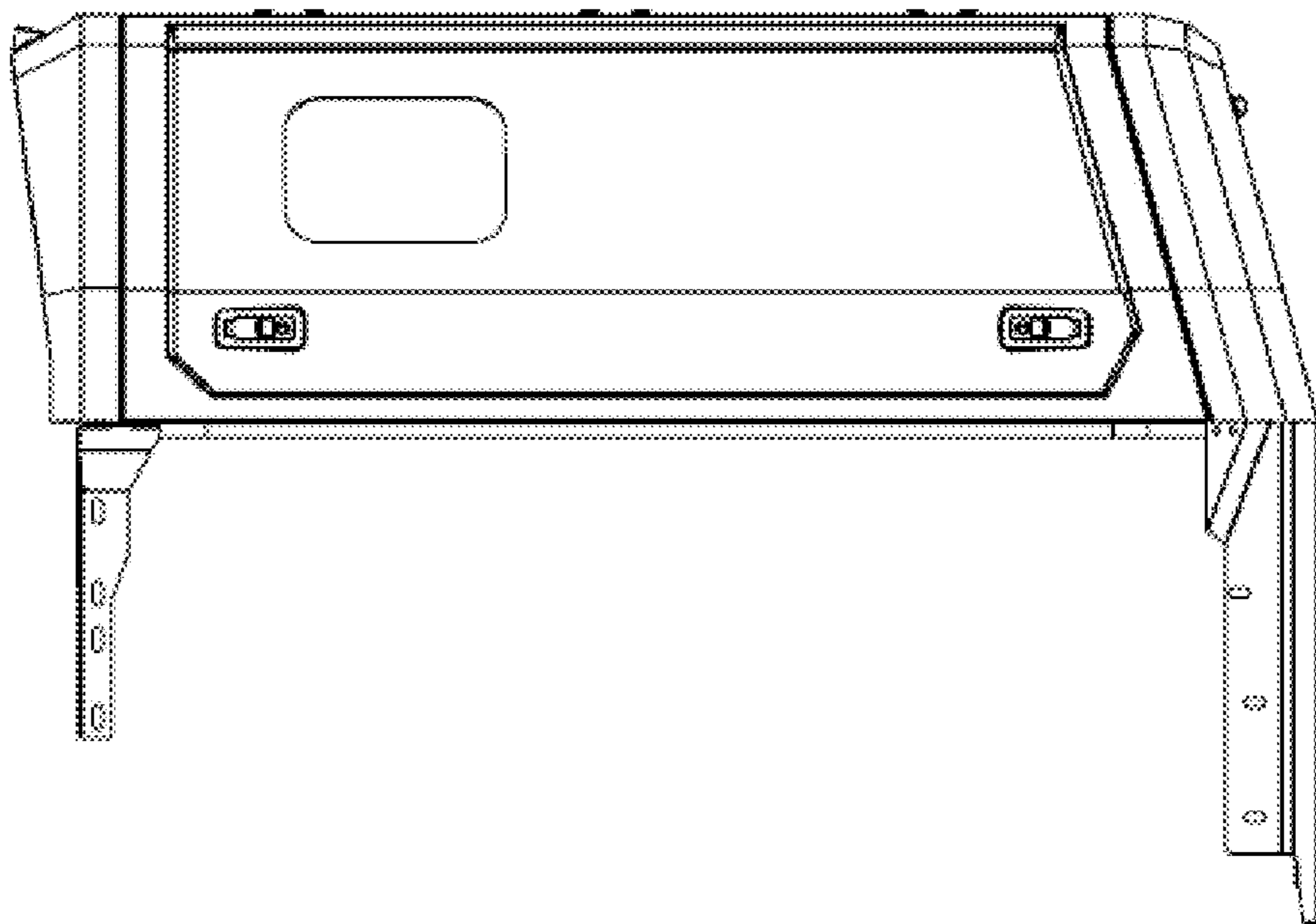


Figure 4

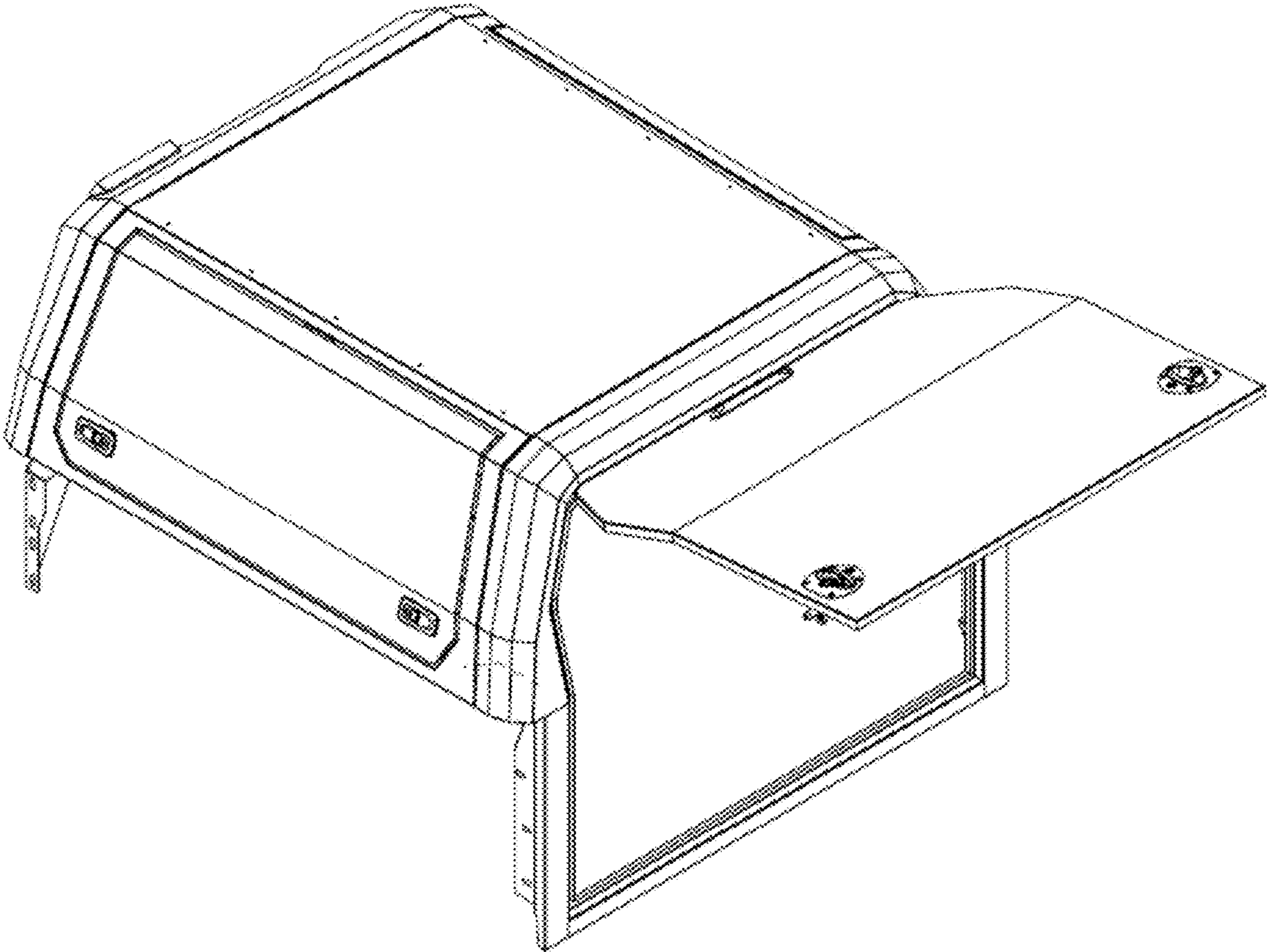


Figure 5

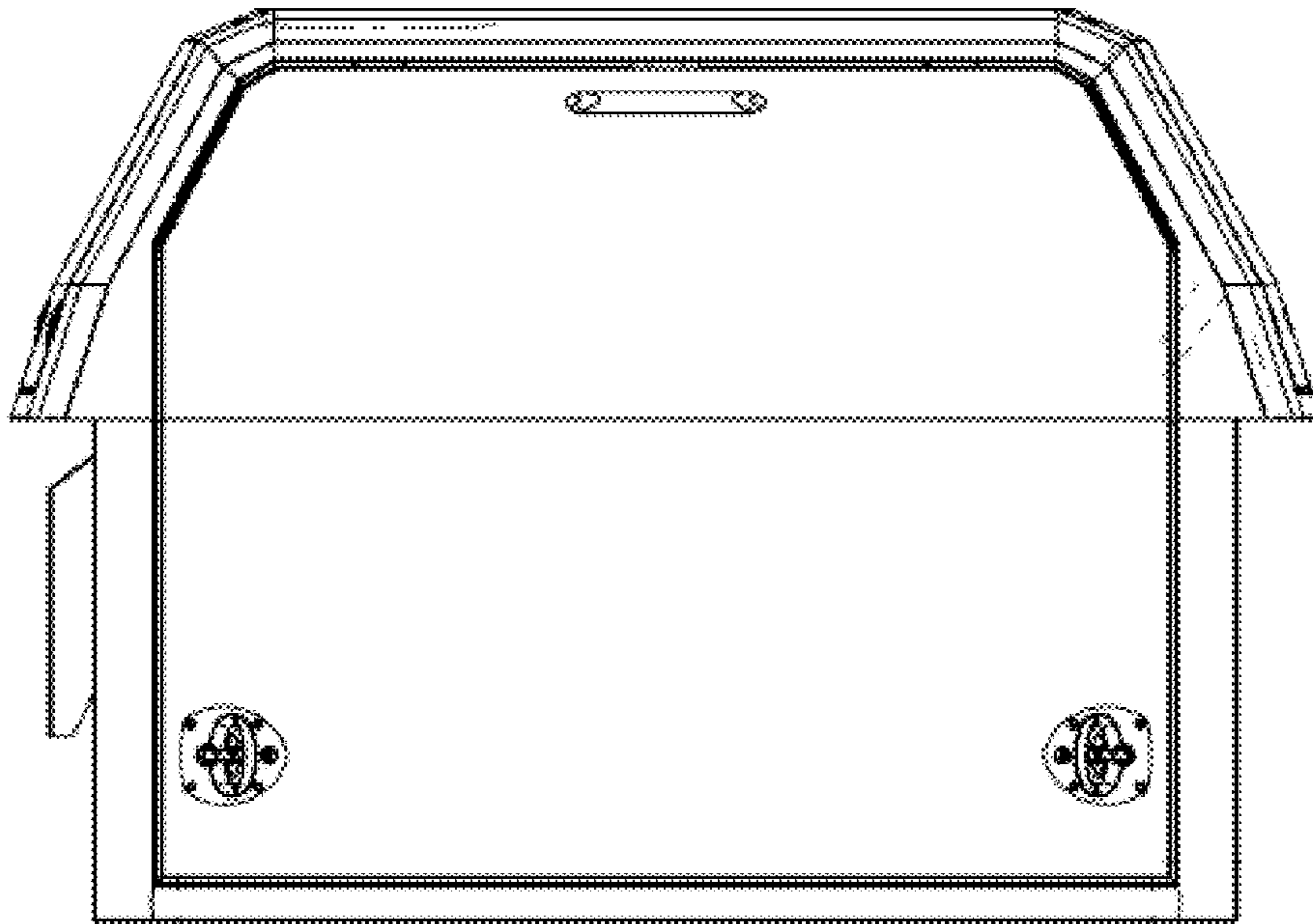


Figure 6

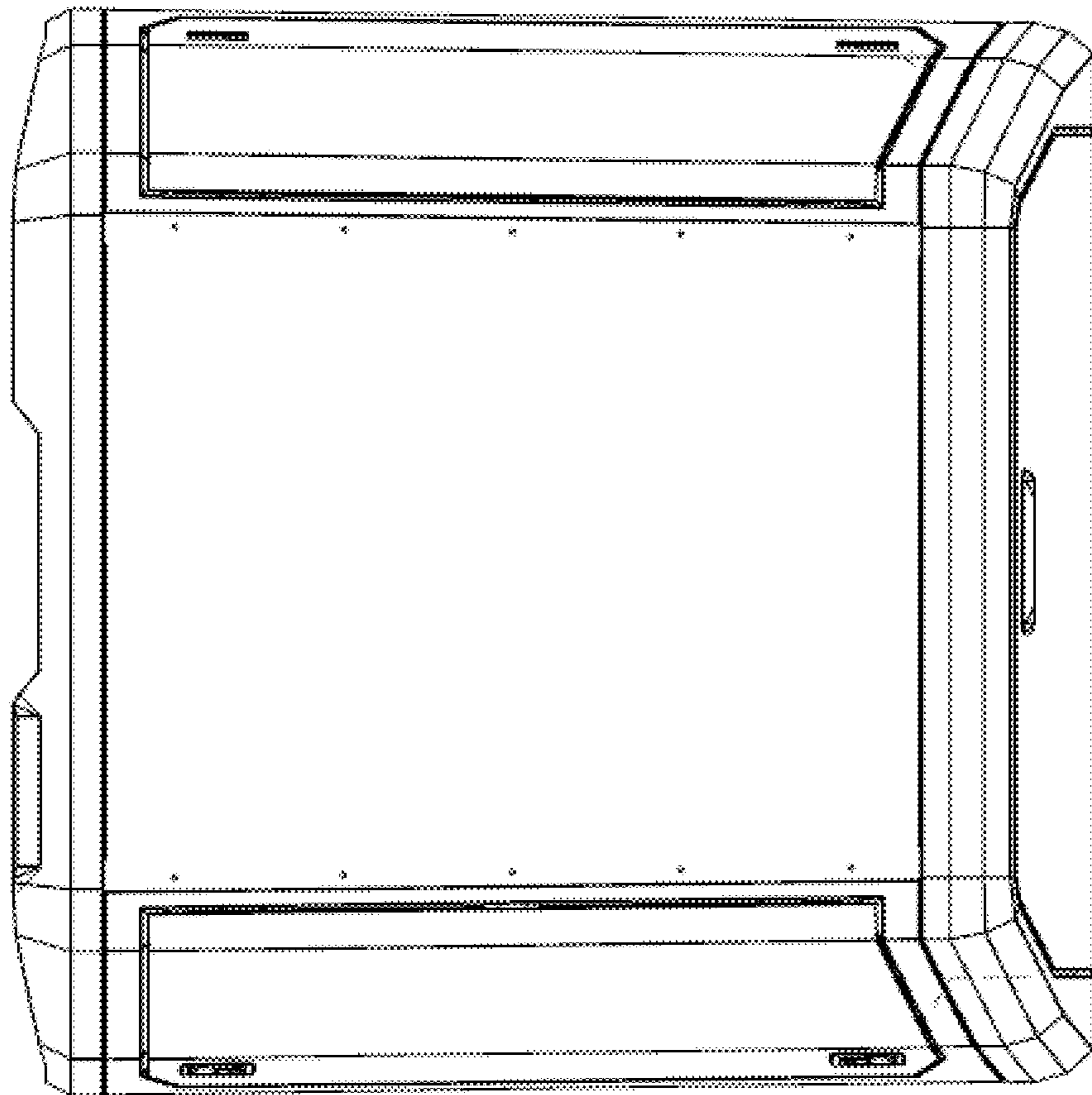


Figure 7

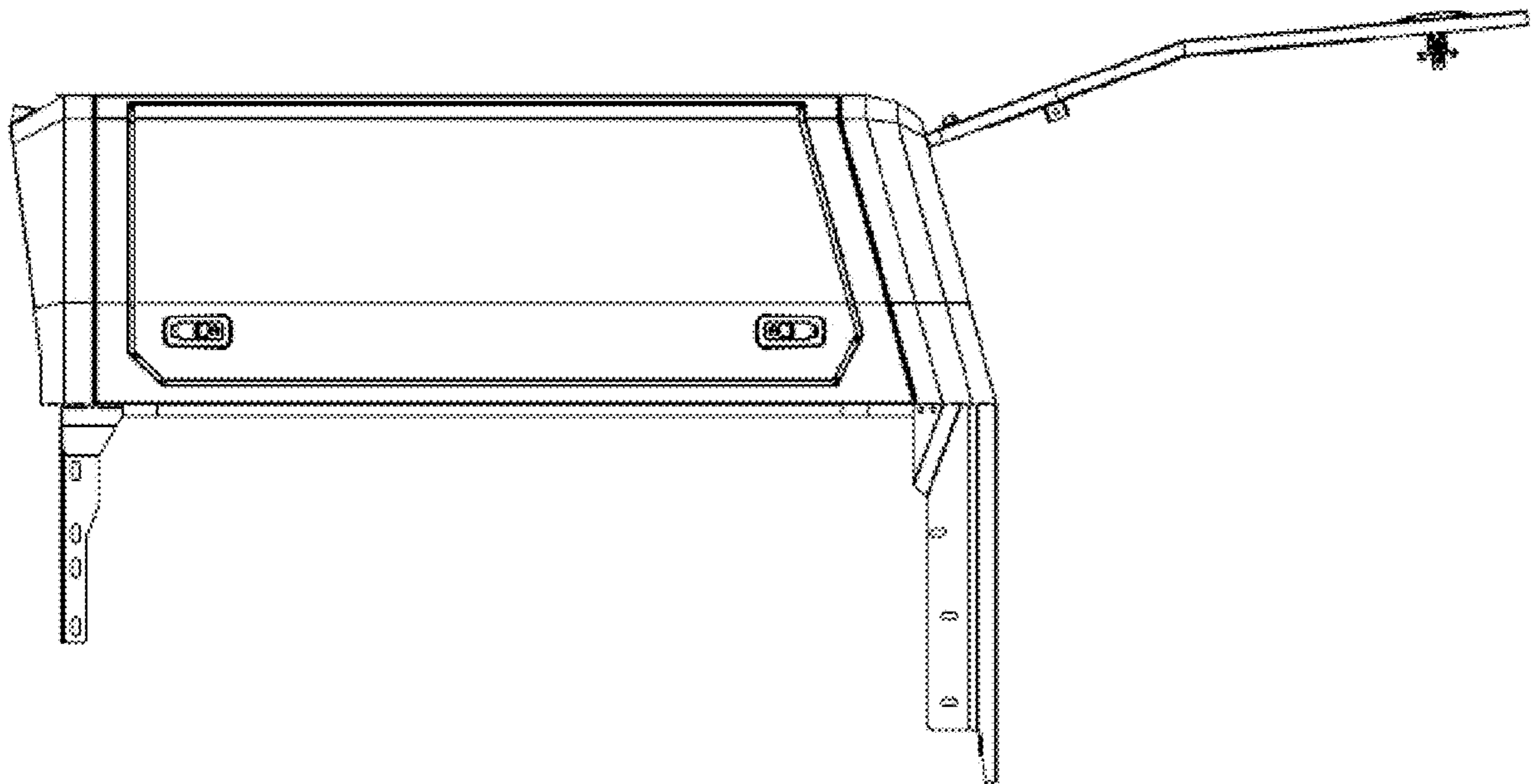


Figure 8